

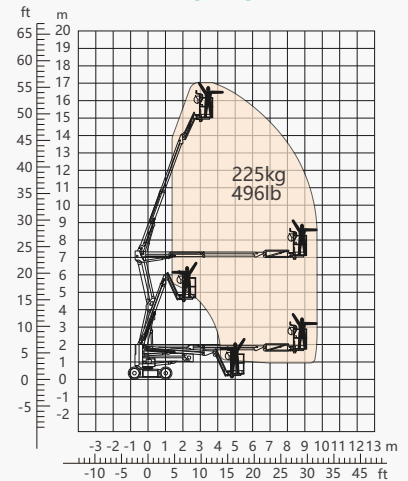
## SPECIFICATIONS

Dimension	Metric	British
Max. Working Height	17.00m	55' 9"
Max. Platform Height	15.00m	49' 2"
Max. Operating Range	9.70m	31' 10"
Max. Platform Range	9.10m	29' 10"
Max. Up And Over Clearance	7.00m	22' 11"
Platform Size(Length ×Width)	1.45×0.76m	4' 9"×2' 6"
Flatbed Transport Dimensions(L × W × H)	5.06×1.50×2.06m	16' 7"×4' 11"×6' 9"
Turntable Tailswing	0m	0"
Ground Clearance <b>A</b>	0.13m	5"
Wheelbase <b>B</b>	1.80m	5' 11"
Turning Radius(Inside/Outside)	2.17/3.14m	7' 1"/10' 3"
Tyres	28×12(202)	28×12(202)

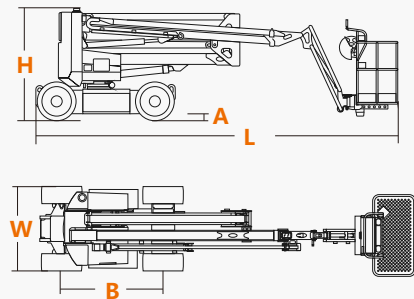
Performance		
S.W.L	227kg	500lb
Max. Occupants	2	2
Platform Rotation	180°	180°
Jib Movement	-65°~65°	-65°~65°
Main Boom Maximum Angle	70°	70°
Turret Rotation	355°Discontinuity	355°Discontinuity
Travel Speed(Stowed)	≥ 6.0km/h	≥ 3.73mph
Travel Speed(Raised)	≥ 1.1km/h	≥ 0.68mph
Gradeability	25%	25%
Maxi. Chassis Angle(X/Y)	3°/3°	3°/3°

Weight		
Overall Weight	7950kg	17527lb

Power		
Lead-Acid Maintenance-Free Battery	48V/300Ah	48V/300Ah
Charger	48V/35A	48V/35A
Driving Motor	2×32VAC/3.3kW	2×32VAC/3.3kW
Lifting Motor	48V/3.8kW	48V/3.8kW
Hydraulic Tank	40L	10gal



Range Of Motion



## FEATURES

### Standard Items

- Proportional Controls
- Manual Safety Pump
- Hour Meter
- Tilt Sensor With Alarm
- Turntable 355° non-continuous rotation
- Intelligent power system protection
- Self-Leveling Platform
- Foot Switch
- Solid Tires
- Two-Wheel Steering
- Two-Wheel Drive
- Onboard Diagnostic System
- Tie-Down And Lifting Points
- Emergency stop system
- Overload Sensor With Alarm
- All Motion Alarm
- Horn
- illuminated lamp
- Flashing LED Beacon
- Zero Emission
- Anti-Extrusion Device



### DINGLI AWP INDIA PRIVATE LIMITED

Address: Sahney Towers, 81, First Floor, Poonamallee High Road, Nerkundram,  
Chennai, Tamil Nadu - 600 107  
Telephone: +91-98846 48464  
E-mail: [support@dinglisaarc.com](mailto:support@dinglisaarc.com)  
Website: <https://dinglisaarc.com>