

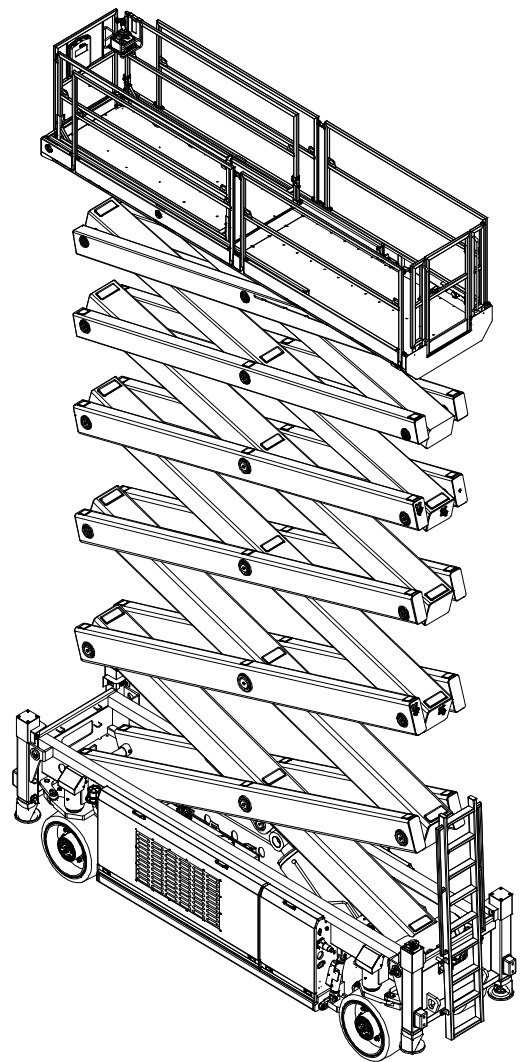
# DINGLI

*Exceed · New Height*

## Parts Manual

JCPT2814DC

From SN  
JPD2814023B0322-



CE

Part Number: SM012120115

Version Number: Rev1.1

August 2023 Printing

# DINGLI



## Foreword

We are very appreciated for your interesting with Dingli machine and choosing it for your application. Our priority above all is you can use the machine safely for your application and you can benefit from the Dingli machine mostly. For these reason we hope you can:

1. Comply with employer, job site and local governmental rules.
2. Safeguard your commitment to quality by always using genuine Dingli spare parts. Remember, Dingli cannot accept responsibility for the failure of a separator equipped with non-original spare parts. We guarantee the quality and reliability of our products.
3. All sketch maps of parts shown in this manual are for reference only, it is the practical that counts. This manual includes all the latest information up to the date when it was printed. All responsibilities for the revision and explanation of the manual rest with the Dingli. We also preserve the right to edit the technology characteristic and content of the manual.
4. Anyone who read the manual or used the machine, is encouraged to notify Dingli Machinery Co, Ltd of any errors or send in suggestions for improvement. All communications will be carefully considered for future printings of this and other manuals, certainly if you have any question about the machine, please contact with our team by dialing technical support phone, sending email, or any methods you want, etc. Our contact information as bellow:

Please contact with:

**DINGLI AWP INDIA PRIVATE LIMITED**

**Phone:** +91-98846 48464

**Email:** support@dinglisaarc.com





## Table of Contents

### Section 1 Chassis

101.1	Steer Linkage and Wheels Installation .....	2
102.1	Steer Linkage and Wheels Assembly.....	4
103.1	Pothole Protection Assembly.....	7
104.1	Right Tray Door Installation .....	9
105.1	Right Tray Assembly.....	11
106.1	Motor Controller Assembly 5 .....	13
107.1	Motor Controller Assembly 1 .....	15
108.1	Beacon Assembly.....	16
109.1	Battery Assembly.....	17
110.1	Ground Control Box Assembly .....	18
111.1	Left Tray Door and Hydraulic Tank Installation .....	21
112.1	Hydraulic Tank Assembly.....	24
113.1	Left Tray Assembly .....	27
114.1	Function Manifold Assembly.....	30
115.1	Motor Controller Assembly 2 .....	32
116.1	Manual Pump Assembly .....	34
117.1	Charger Assembly .....	35
118.1	Pump Motor Assembly.....	36
119.1	Outriggers Assembly.....	37
120.1	Ladder and Chassis Accessory Installation.....	40
121.1	Guardrail turning device .....	42

### Section 2 Scissor

201.1	Scissor Arms Installation .....	45
202.1	Scissor Arm pin joint A .....	47
203.1	Scissor Arm pin joint B .....	48
204.1	Scissor Arm pin joint C .....	49
205.1	Scissor Arm pin joint D .....	50
206.1	Scissor Arm pin joint E .....	51
207.1	Scissor Arm pin joint F.....	52
208.1	Scissor Arm pin joint G .....	53
209.1	Scissor Arm pin joint H .....	54
210.1	Lift cylinder and Scissor Accessory Installation .....	55
211.1	Rotary Sensor Assembly .....	57

**Section 3 Platform**

301.1	Main Platform Assembly.....	60
302.1	Platform Extension Assembly.....	63
303.1	Platform Control Box Assembly.....	66
304.1	Protective Device Assembly (Option).....	67

**Section 4 Hydraulic System**

401.1	Lift Cylinder Assembly.....	70
402.1	Left Outrigger Cylinder Assembly.....	72
403.1	Right Outrigger Cylinder Assembly.....	74
404.1	Left Pothole Protection Cylinder Assembly.....	76
405.1	Right Pothole Protection Cylinder Assembly.....	77
406.1	Function Manifold.....	78
406.2	Function Manifold.....	80
406.3	Function Manifold.....	82
407.1	Hydraulic Hoses and Fittings.....	84

**Section 5 Electrical System**

501.1	Electrical Harness.....	88
502.1	Power to Platform.....	91

**Section 6 Decal**

601.1	Decals with Words.....	94
602.1	Decals with Symbols.....	99

**Section 7 Automatic Lubrication Systems**

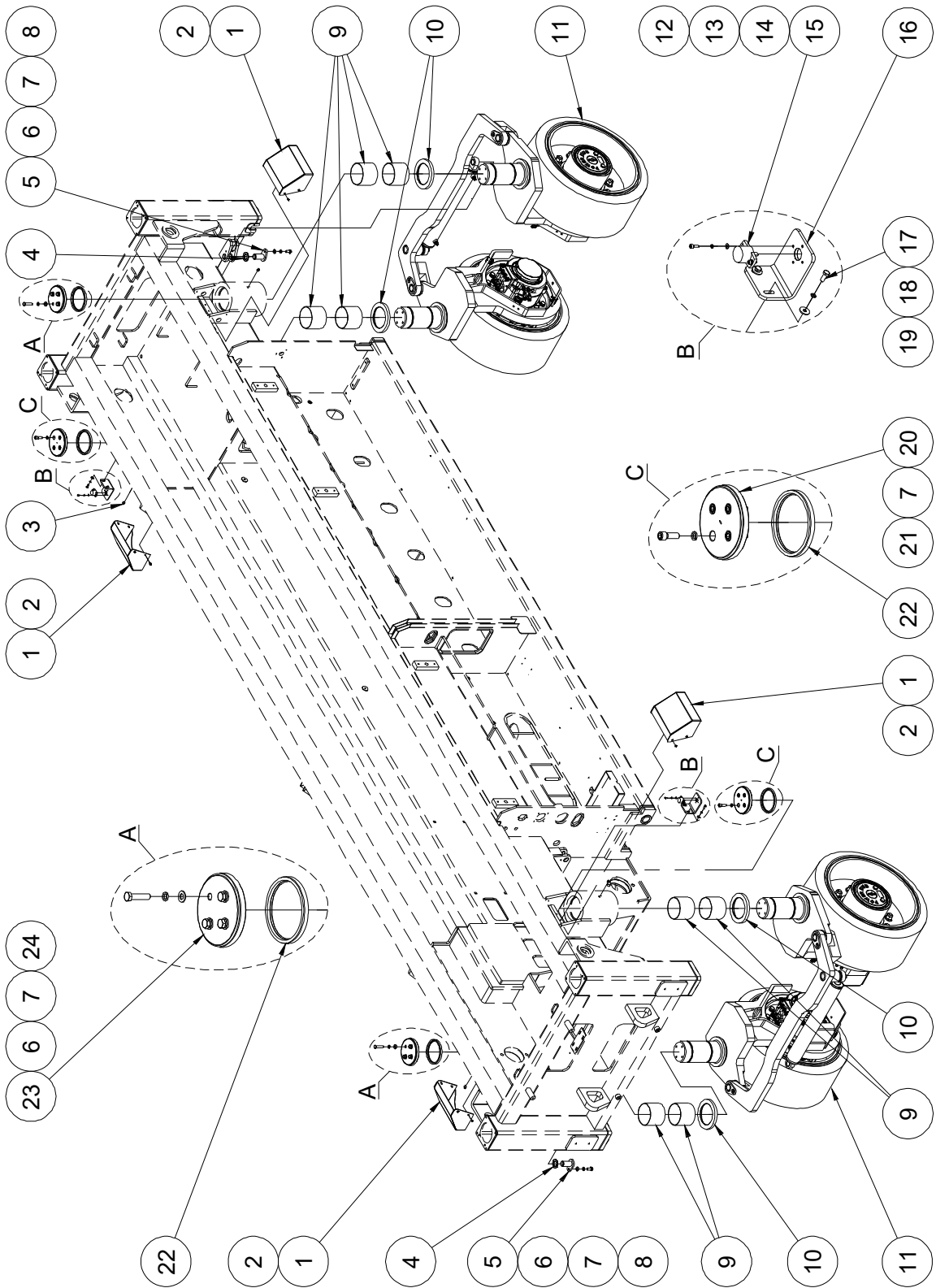
701.1	Automatic Lubrication Systems - Chassis Components.....	105
702.1	Automatic Lubrication Systems - Scissor Components.....	107
703.1	Cable Bridge Assembly 1.....	110
704.1	Cable Bridge Assembly 2.....	111
705.1	Automatic Lubrication Systems - Hoses and Fittings.....	112
706.1	Automatic Lubrication Systems - Scissor Arms Installation.....	115
707.1	Automatic Lubrication Systems - Scissor Arm pin joint A.....	117
708.1	Automatic Lubrication Systems - Scissor Arm pin joint B.....	118
709.1	Automatic Lubrication Systems - Scissor Arm pin joint C.....	119
710.1	Automatic Lubrication Systems - Scissor Arm pin joint D.....	120
711.1	Automatic Lubrication Systems - Scissor Arm pin joint E.....	121
712.1	Automatic Lubrication Systems - Scissor Arm pin joint F.....	122
713.1	Automatic Lubrication Systems - Scissor Arm pin joint G.....	123
714.1	Automatic Lubrication Systems - Scissor Arm pin joint H.....	124

715.1 Automatic Lubrication Systems - Lift cylinder and Scissor Accessory  
Installation.....125



# Section 1 Chassis

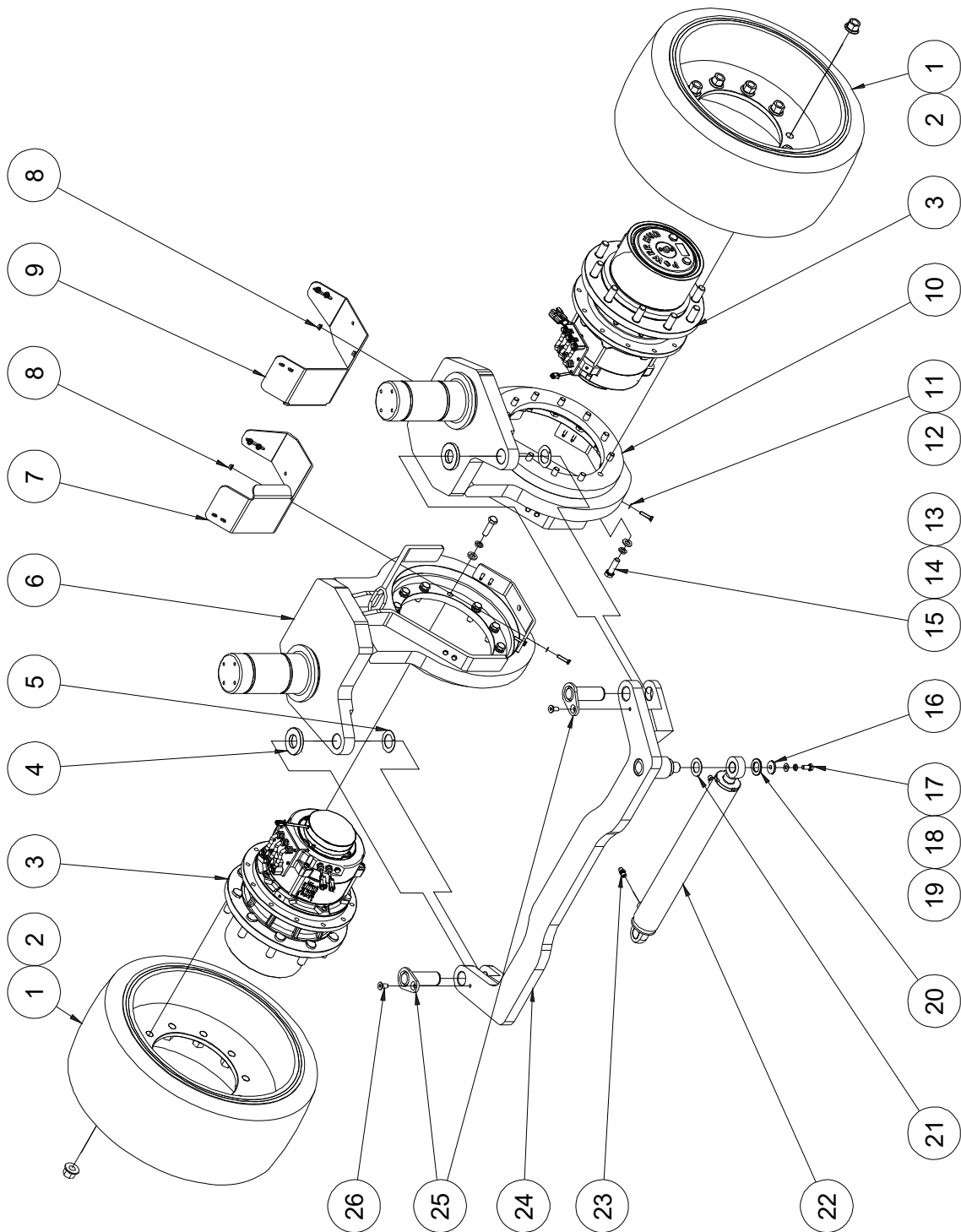
### 101.1 Steer Linkage and Wheels Installation



**101.1 Steer Linkage and Wheels Installation**

Item	Part No.	Description	Qty.
1	10015719	Cover	4
2	00001011	Screw GB/T 973 M5×12	16
3	00004483	Grease nipple GB/T 1152 M10×1	4
4	10014421	Washer	2
5	10014417	Pin	2
6	00000814	Washer GB/T 97.1 12	12
7	00000815	Washer GB/T 93 12	20
8	00000816	Bolt GB/T 5783 M12×25	4
9	00006146	8812-120125100A Bearing	8
10	10015696	Washer	4
11		Steer linkage and wheels assembly (refer to 102.1)	2
12	00001054	Screw GB/T 70.1 M4×12	4
13	00000779	Washer GB/T 93 4	4
14	00000778	Washer GB/T 97.1 4	4
15	00000644	Rotary sensor	2
16	10015718	Sensor bracket	2
17	00000818	Bolt GB/T 5783 M6×16	4
18	00000621	Washer GB/T 93 6	4
19	00002583	Washer GB/T 96.1 6	4
20	10015699	Cover	2
21	00006425	Screw GB/T 70.1 M12×35	8
22	00007841	Seal GB/T 13871.1 FB 120 140 12 III	4
23	10015698	Cover	2
24	00001856	Bolt GB/T 5783 M12×50	8

### 102.1 Steer Linkage and Wheels Assembly





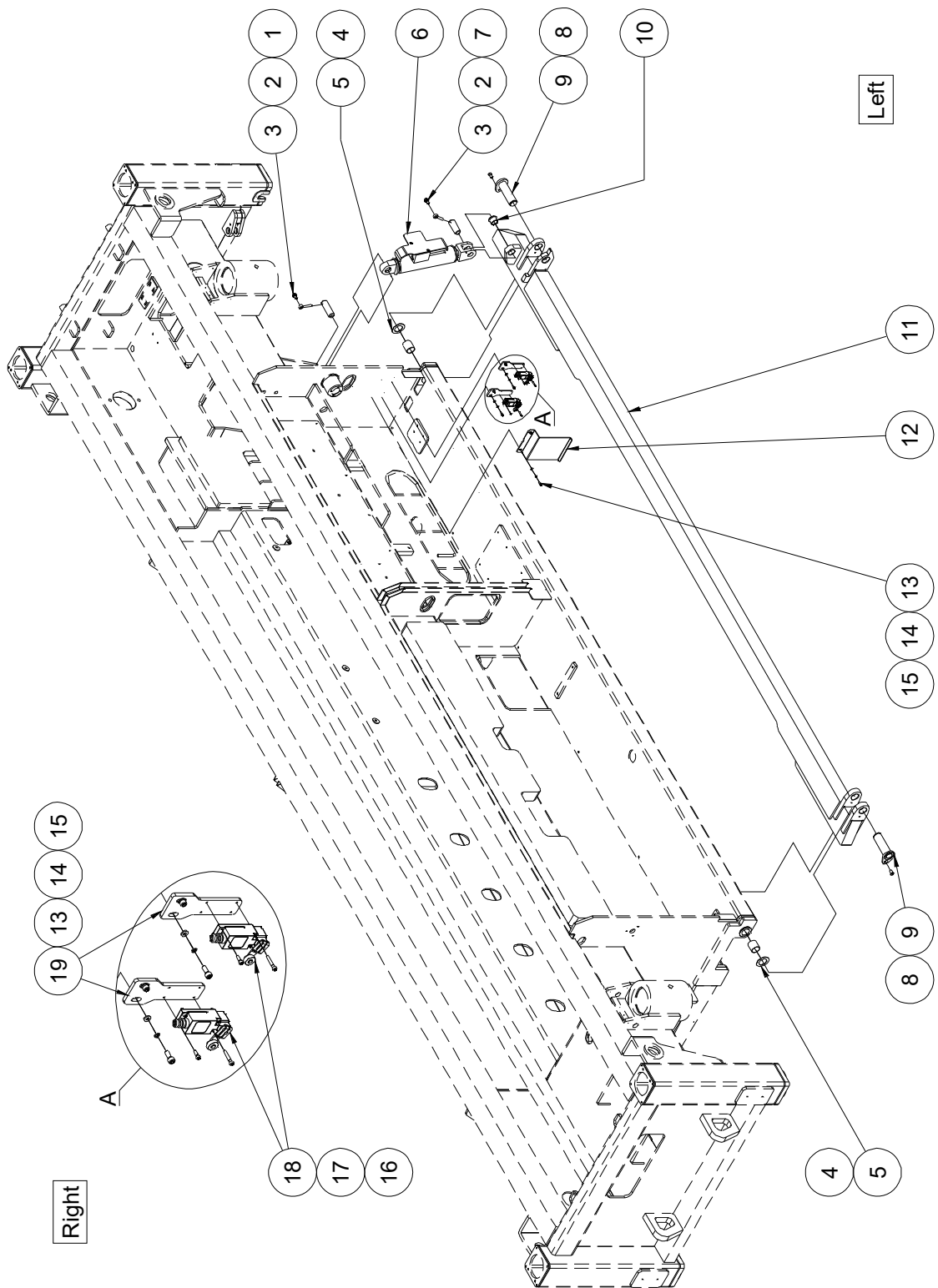
**102.1 Steer Linkage and Wheels Assembly**

Item	Part No.	Description	Qty.
1	10015692	Wheel	2
2	00002650	M22×1.5 Nut	20
3	10015783	Drive motor assembly	2
--	00007897	Reducer	1
--	00007898	Motor	1
--	00007899	Brake	1
4	10015695	Washer	2
5	00004779	8832-42 Bearing	2
6	10015686	Steer yoke weldment	1
7	10015785	Protect cover	1
8	00002575	Nut GB/T 6183.1 M8	12
9	10015786	Protect cover	1
10	10015681	Steer yoke weldment	1
11	00000608	Washer GB/T 97.1 8	12
12	00002488	Bolt GB/T 5783 M8×35	12
13	00000997	Washer GB/T 97.1 16	22
14	00001035	Washer GB/T 93 16	22
15	00002339	Bolt GB/T 5783 M16×55	22
16	10010963	Washer	1
17	00000816	Bolt GB/T 5783 M12×25	1
18	00000815	Washer GB/T 93 12	1
19	00000814	Washer GB/T 97.1 12	1
20	10014421	Washer	1
21	00004610	8832-32 Bearing	1
22	10015513	Steer cylinder assembly (without seal kit)	1
--	00007234	Seal kit	1
23	00001282	Straight fitting	2
24	10015688	Tie rod weldment	1
25	10015693	Pin	2

**102.1 Steer Linkage and Wheels Assembly**

Item	Part No.	Description	Qty.
26	00000854	Screw GB/T 70.3 M12×25	2

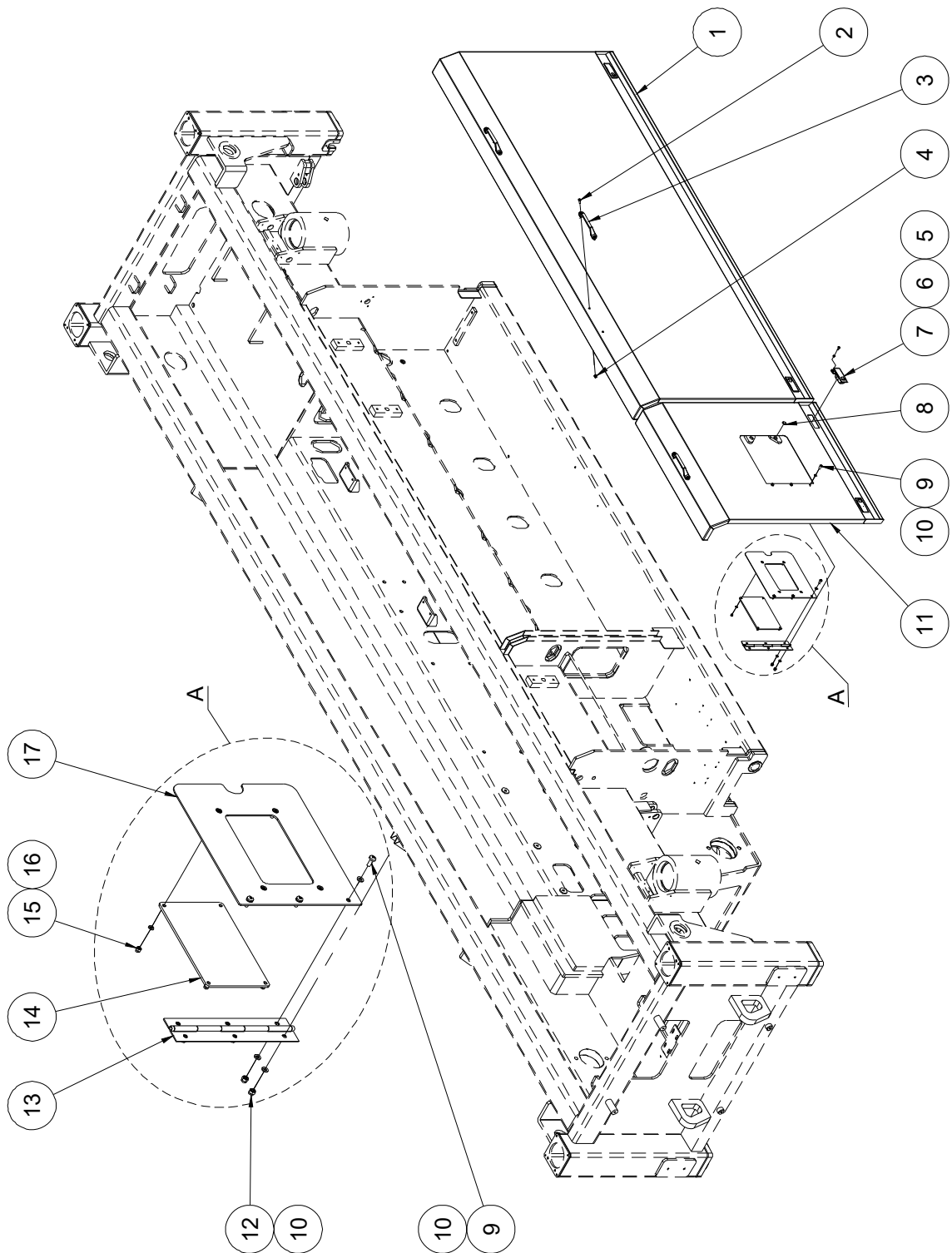
### 103.1 Pothole Protection Assembly



**103.1 Pothole Protection Assembly**

Item	Part No.	Description	Qty.
1	00006184	895-30080 Pin	2
2	00000219	8902-10060 Pin	4
3	00002873	Bolt QC/T 340 M10×20	4
4	00007832	8812-404445 Bearing	4
5	00004779	8832-42 Bearing	4
6		Left pothole protection cylinder assembly (left side) (refer to 404.1)	1
		Right pothole protection cylinder assembly (right side) (refer to 405.1)	1
7	00004613	895-30065 Pin	2
8	00000846	Screw GB/T 70.3 M10×25	4
9	10017577	Pin	4
10	00005022	8822-3025 Bearing	2
11	10018020	Pothole guard weldment (left side)	1
	10018018	Pothole guard weldment (right side)	1
12	10015709	Switch cover	2
13	00000876	Screw GB/T 70.1 M6×16	12
14	00000621	Washer GB/T 93 6	12
15	00000620	Washer GB/T 97.1 6	12
16	00001054	Screw GB/T 70.1 M4×12	8
17	00002228	Screw GB/T 70.1 M4×25	8
18	00000748	Limit switch	4
19	10011208	Switch bracket	4

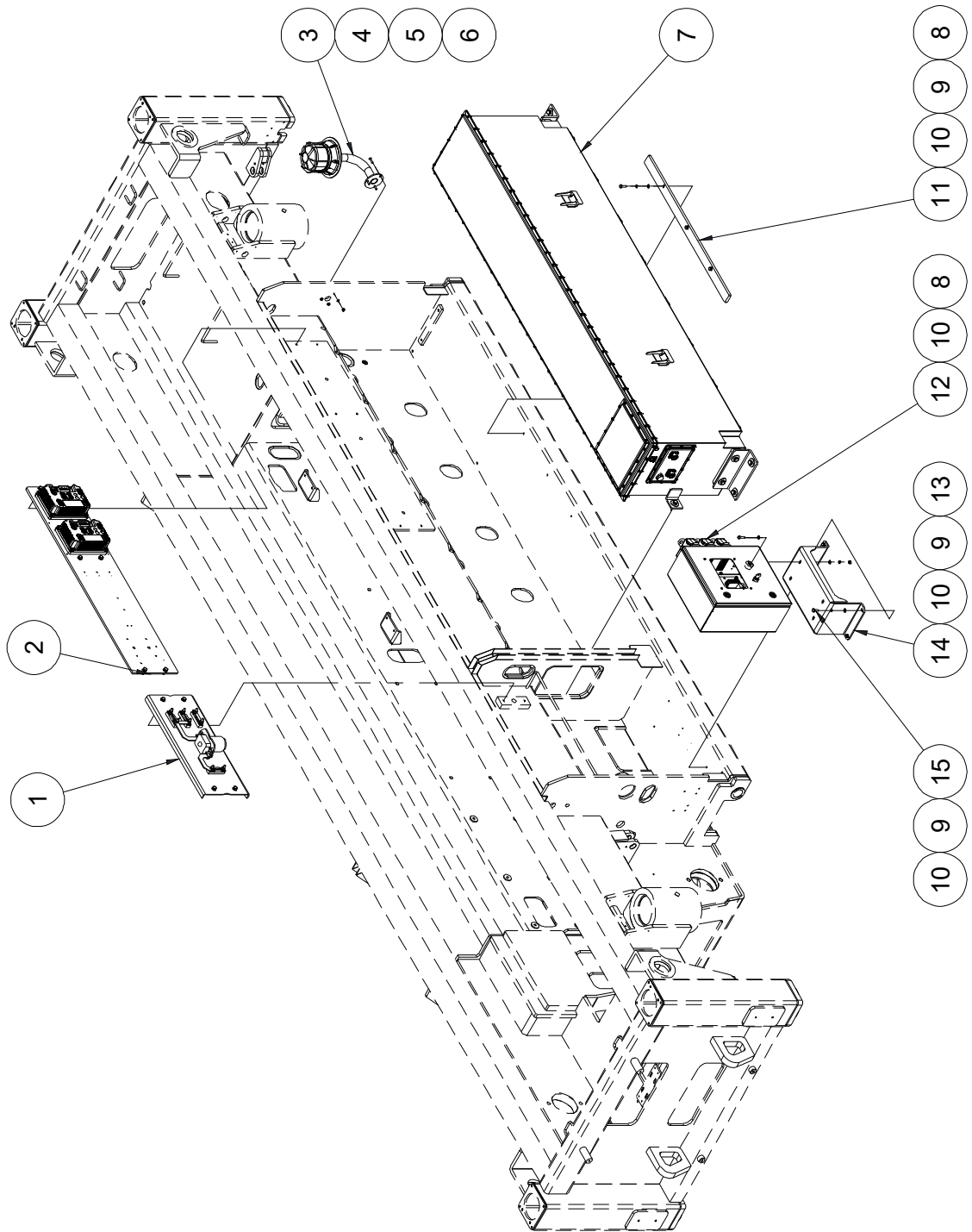
### 104.1 Right Tray Door Installation



**104.1 Right Tray Door Installation**

Item	Part No.	Description	Qty.
1	10015721	Front door	1
2	00000832	Screw GB/T 70.3 M6×25	6
3	10011979	Handle	3
4	00002574	Nut GB/T 6183.1 M6	6
5	00001246	Screw GB/T 70.1 M5×16	4
6	00000688	Nut GB/T 6170 M5	4
7	10015715	Lock	4
8	10002550	Magnet	2
9	00001986	Screw GB/T 818 M6×16 - H	6
10	00000620	Washer GB/T 97.1 6	12
11	10018026	Rear door	1
12	00001033	Nut GB/T 6182 M6	6
13	10002660	Hinge	1
14	10013713	Plexiglass plate	1
15	00000613	Nut GB/T 6182 M5	4
16	00000605	Washer GB/T 97.1 5	4
17	10013711	Control door weldment	1

### 105.1 Right Tray Assembly

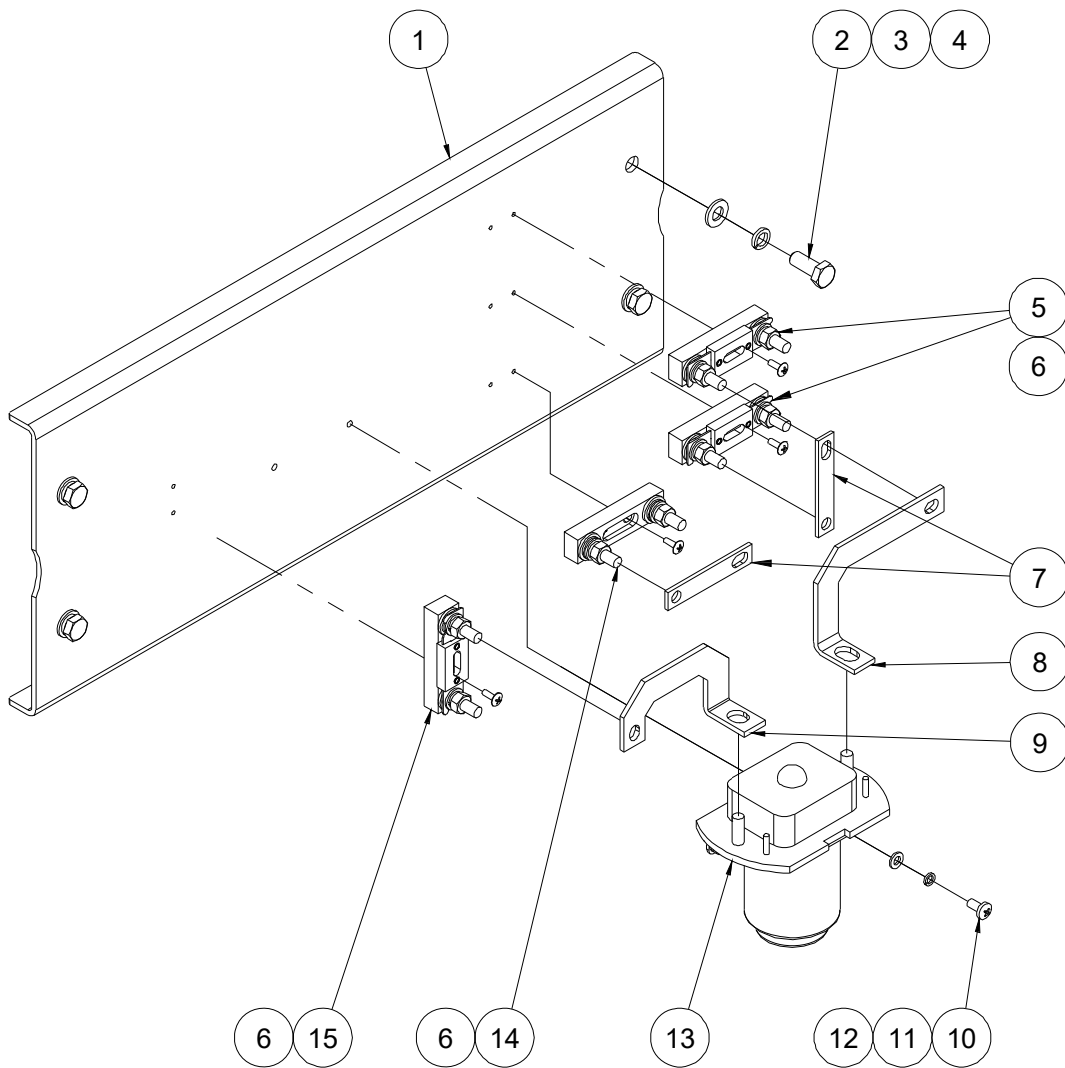


**105.1 Right Tray Assembly**

Item	Part No.	Description	Qty.
1		Motor controller assembly 5 (refer to 106.1)	1
2		Motor controller assembly 1 (refer to 107.1)	1
3		Beacon assembly (refer to 108.1)	1
4	00000832	Screw GB/T 70.3 M6×25	3
5	00000620	Washer GB/T 97.1 6	6
6	00001033	Nut GB/T 6182 M6	6
7		Battery assembly (refer to 109.1)	1
8	00000993	Bolt GB/T 5783 M8×25	7
9	00000609	Washer GB/T 93 8	11
10	00000608	Washer GB/T 97.1 8	15
11	10017913	Locating plate	1
12		Ground control box assembly (refer to 110.1)	1
13	00000610	Nut GB/T 6170 M8	4
14	10016380	Control box bracket	1
15	00000875	Bolt GB/T 5783 M8×20	4



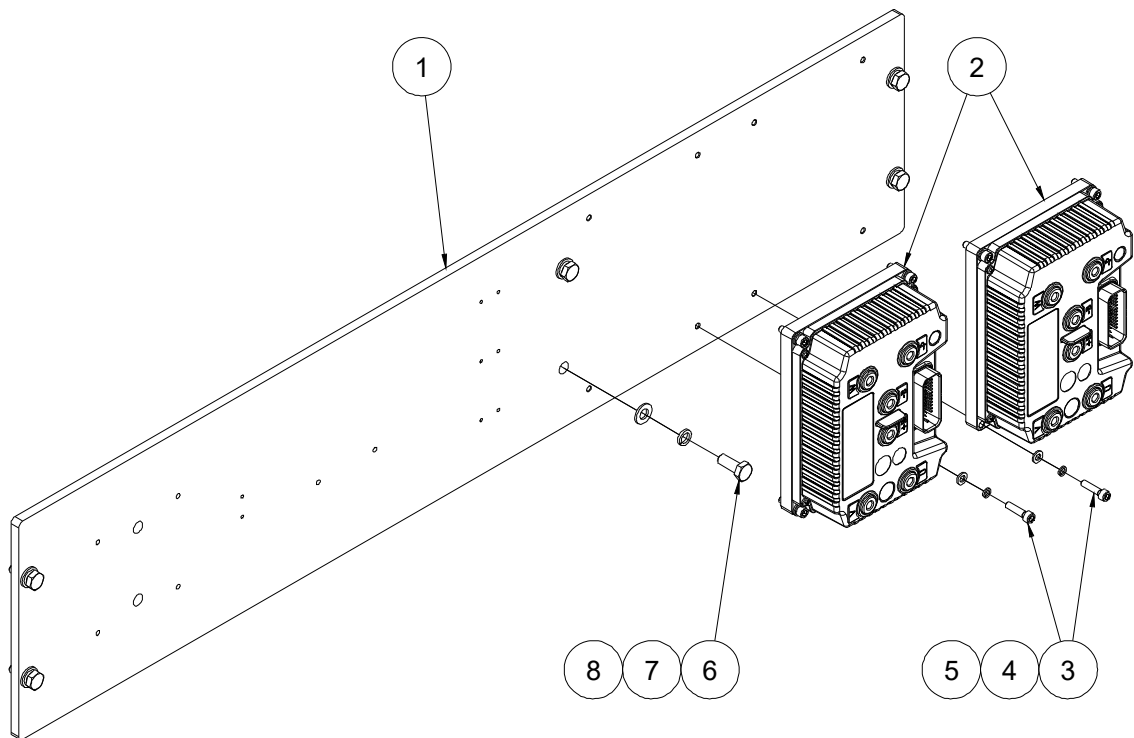
**106.1 Motor Controller Assembly 5**



**106.1 Motor Controller Assembly 5**

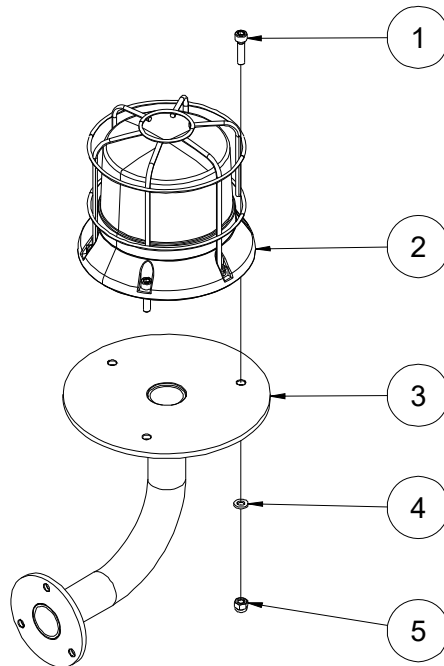
Item	Part No.	Description	Qty.
1	10018048	Mounting plate	1
2	00000678	Bolt GB/T 5783 M10×25	4
3	00000679	Washer GB/T 93 10	4
4	00000615	Washer GB/T 97.1 10	4
5	00001031	350A Fuse assembly	2
--	00000758	350A Fuse	1
--	00000757	Fuse seat	1
6	00001003	Screw GB/T 973 M4×12	8
7	50000099	Copper bar 3	2
8	00008201	Terminal strip	1
9	00008200	Terminal strip	1
10	00001060	Screw GB/T 818 M6×12 - H	2
11	00000621	Washer GB/T 93 6	2
12	00000620	Washer GB/T 97.1 6	2
13	00005407	DC Contactor	1
14	00000757	Fuse seat	1
15	00006265	600A Fuse assembly	1
--	00006266	600A Fuse	1
--	00000757	Fuse seat	1

**107.1 Motor Controller Assembly 1**



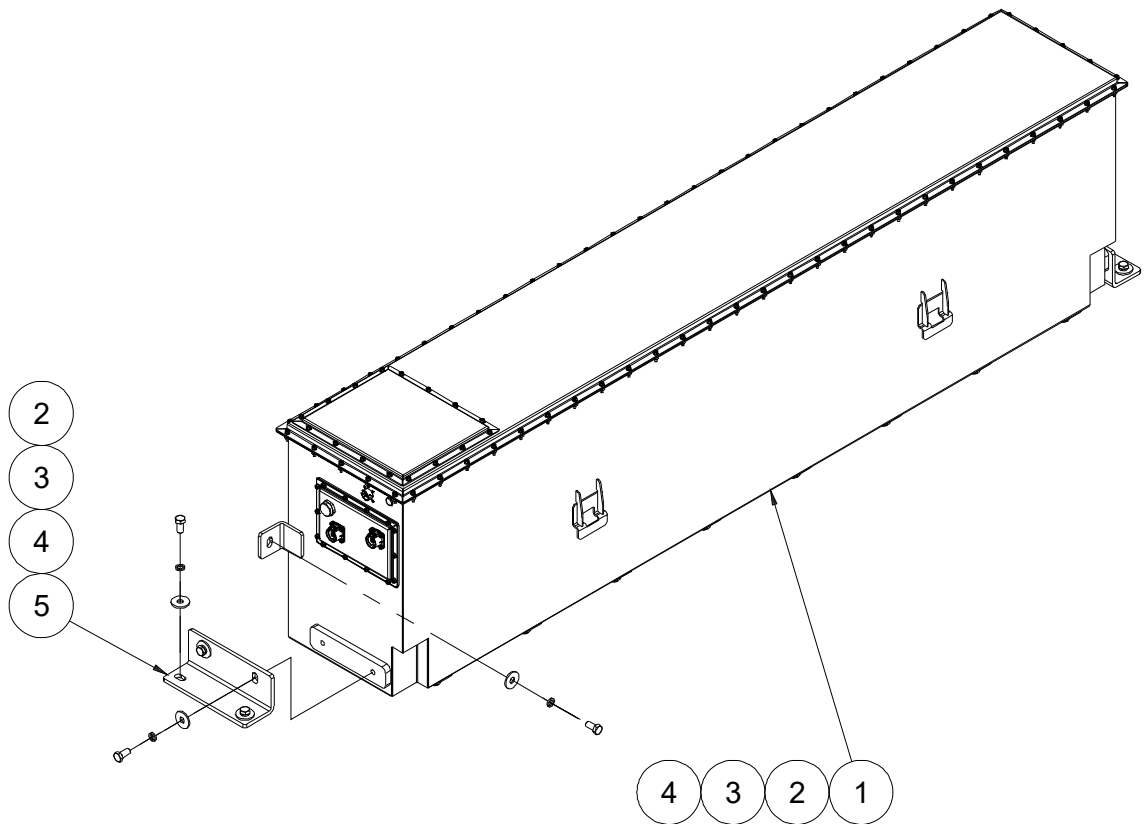
**107.1 Motor Controller Assembly 1**

Item	Part No.	Description	Qty.
1	10018165	Mounting plate	1
2	00007941	Motor controller	2
3	00001034	Screw GB/T 70.1 M6×25	8
4	00000621	Washer GB/T 93 6	8
5	00000620	Washer GB/T 97.1 6	8
6	00000678	Bolt GB/T 5783 M10×25	6
7	00000679	Washer GB/T 93 10	6
8	00000615	Washer GB/T 97.1 10	6

**108.1 Beacon Assembly****108.1 Beacon Assembly**

Item	Part No.	Description	Qty.
1	00001034	Screw GB/T 70.1 M6×25	3
2	00004883	Beacon	1
3	10005463	Beacon bracket weldment	1
4	00000620	Washer GB/T 97.1 6	3
5	00001033	Nut GB/T 6182 M6	3

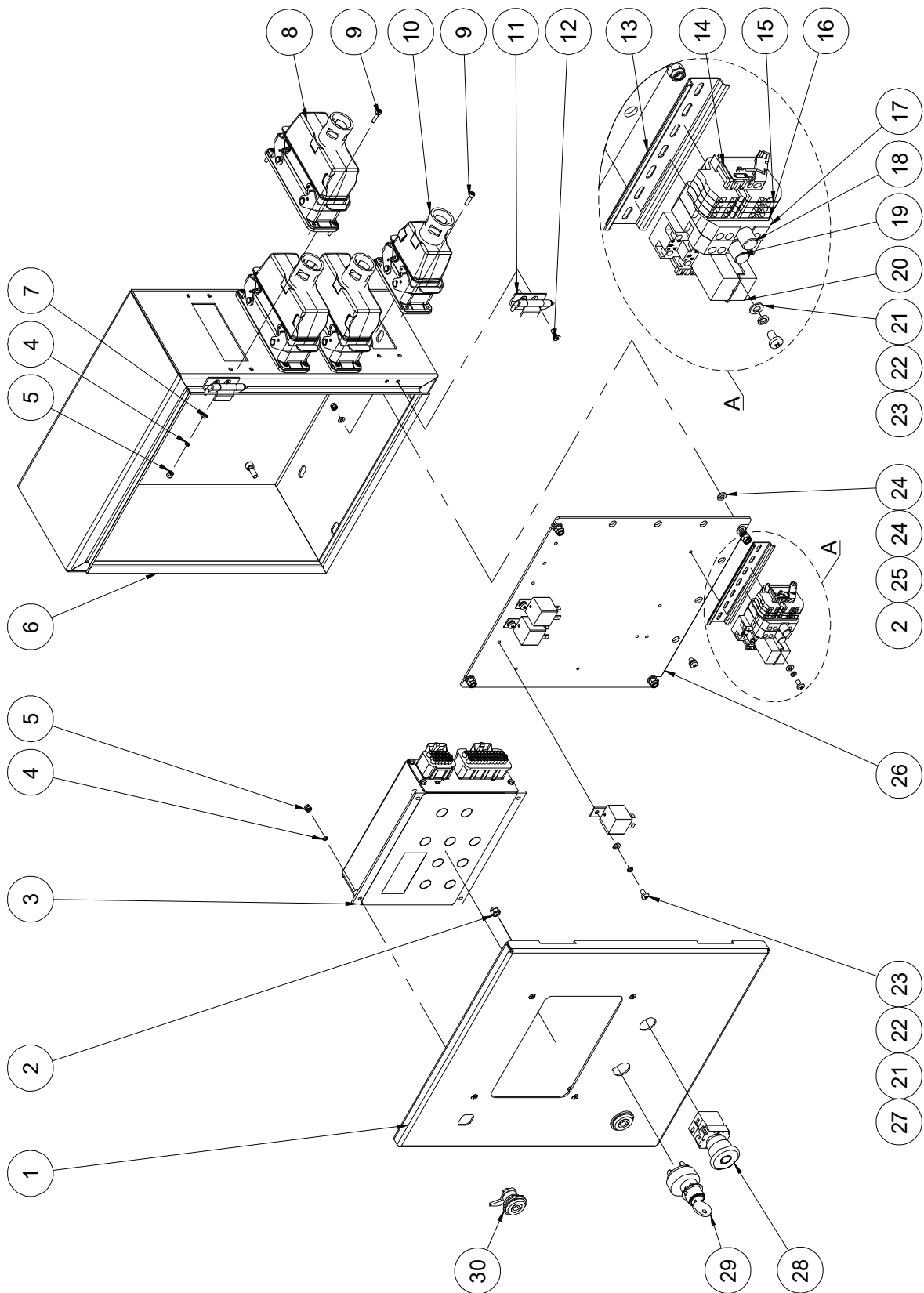
**109.1 Battery Assembly**



**109.1 Battery Assembly**

Item	Part No.	Description	Qty.
1	00008451	Battery	1
2	00000816	Bolt GB/T 5783 M12×25	10
3	00000815	Washer GB/T 93 12	10
4	00002601	Washer GB/T 96.1 12	10
5	10015742	Locating plate	2

### 110.1 Ground Control Box Assembly



**110.1 Ground Control Box Assembly**

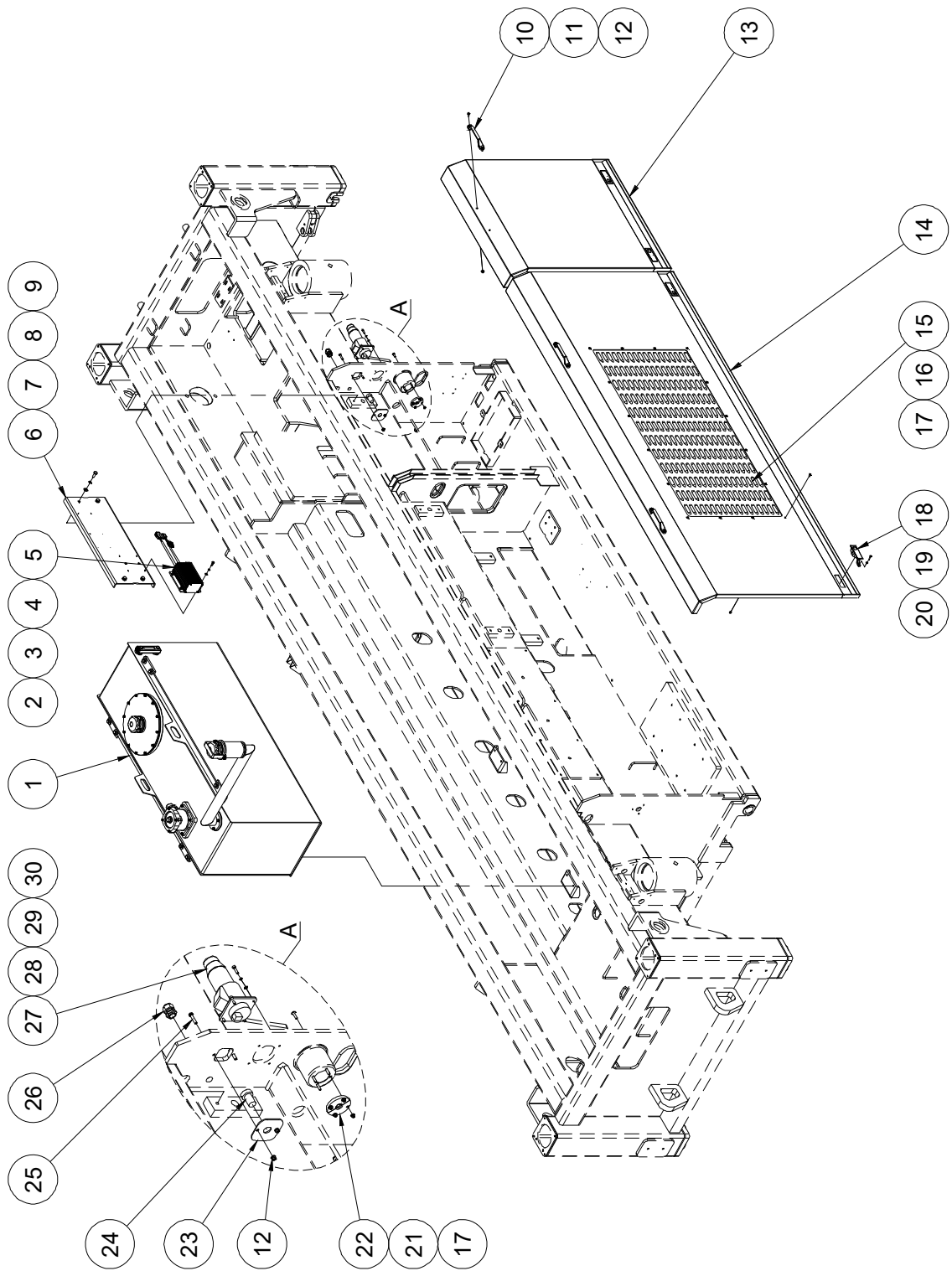
Item	Part No.	Description	Qty.
1	10016383	Ground control box cover	1
2	00000742	Nut GB/T 889.1 M6	6
3	00007940	Controller	1
4	00000779	Washer GB/T 93 4	17
5	00001236	Nut GB/T 889.1 M4	21
6	10017916	Ground control box weldment	1
7	00000778	Washer GB/T 97.1 4	21
8	00000724	Connector	3
9	00000604	Screw GB/T 70.1 M4×16	13
10	00000723	Connector	1
11	50000217	Hinge	2
12	00005259	Screw GB/T 819 M4×14 - H	4
13	10004977	Terminal rail	1
14	00000660	End, Fixation	2
15	00000659	End, Straight	4
16	00002593	End, Plate	1
17	00000661	End, Fuse	2
18	00007804	Fuse 15A	1
19	00007757	Fuse 10A	1
20	00000647	Relay	1
21	00000605	Washer GB/T 97.1 5	5
22	00000606	Washer GB/T 93 5	5
23	00002391	Screw GB/T 818 M5×8 - H	5
24	00000620	Washer GB/T 97.1 6	8
25	00000621	Washer GB/T 93 6	4
26	10013770	Mounting plate	1
27	00002206	Relay	3
28	00000923	Emergency stop switch	1
--	00000754	Red mushroom head	1

**110.1 Ground Control Box Assembly**

<b>Item</b>	<b>Part No.</b>	<b>Description</b>	<b>Qty.</b>
--	00000752	Base with 1 NC contact	1
--	00001245	NC contact	1
29	00001243	Key switch (key removable in off position)	1
	00003356	Key switch (key removable in all position)	1
--	00003050	Key	1
30	00001296	Latch, Column	2



### 111.1 Left Tray Door and Hydraulic Tank Installation



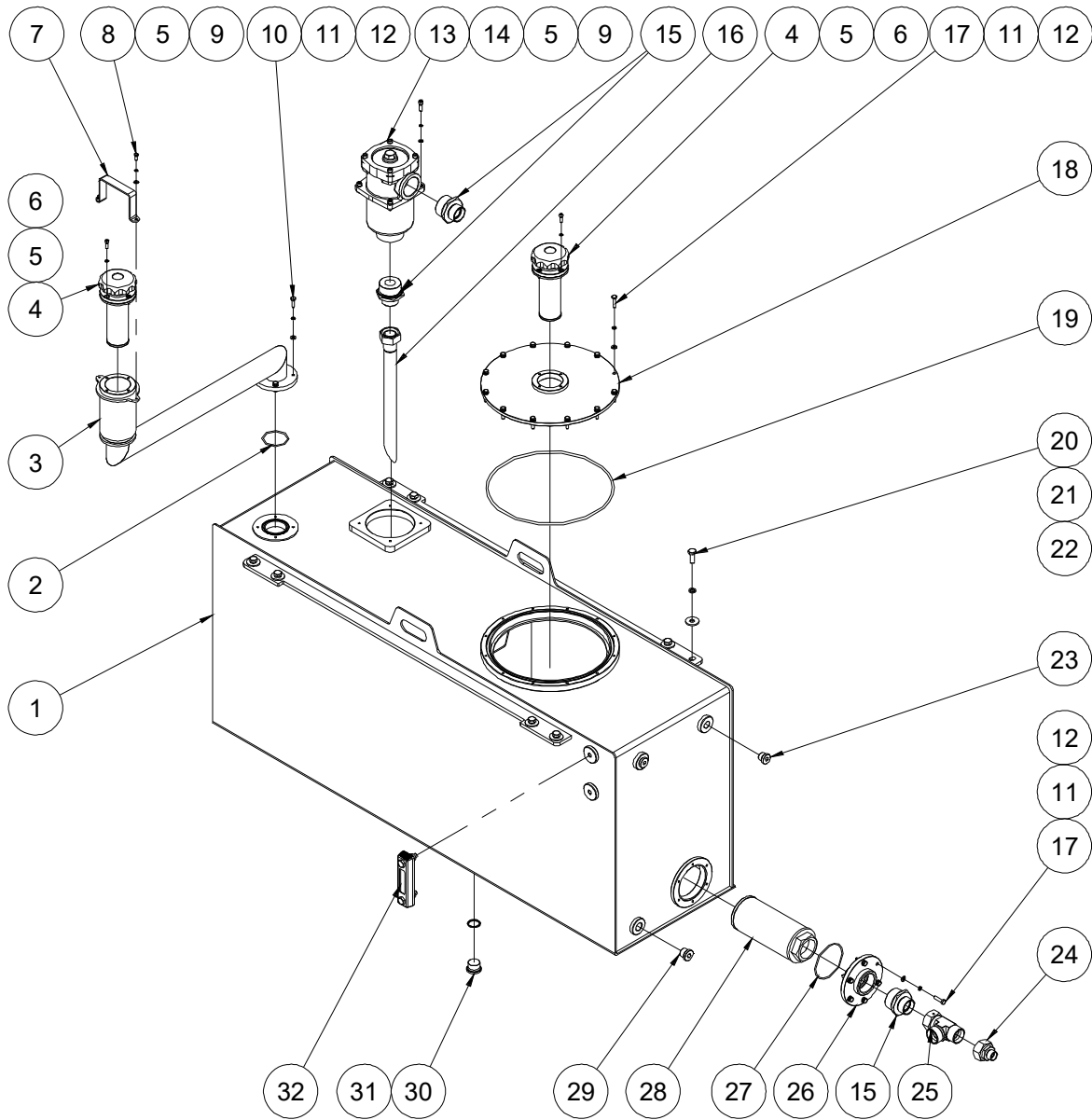
**111.1 Left Tray Door and Hydraulic Tank Installation**

Item	Part No.	Description	Qty.
1		Hydraulic tank assembly (refer to 112.1)	1
2	00000876	Screw GB/T 70.1 M6×16	4
3	00000621	Washer GB/T 93 6	4
4	00000620	Washer GB/T 97.1 6	6
5	00007381	DC power supply	1
6	10018036	Mounting plate	1
7	00000615	Washer GB/T 97.1 10	4
8	00000679	Washer GB/T 93 10	4
9	00000678	Bolt GB/T 5783 M10×25	4
10	10011979	Handle	3
11	00000832	Screw GB/T 70.3 M6×25	6
12	00002574	Nut GB/T 6183.1 M6	8
13	10018029	Rear door	1
14	10018023	Front door	1
15	10015767	Pump grill	1
16	00001011	Screw GB/T 973 M5×12	16
17	00002573	Nut GB/T 6183.1 M5	20
18	10015715	Lock	4
19	00001246	Screw GB/T 70.1 M5×16	4
20	00000688	Nut GB/T 6170 M5	4
21	00001013	Screw GB/T 973 M5×20	4
22	10000537	Half-round batten	2
23	10017911	Indicator bracket	1
24	92100534	Indicator	1
25	00000775	Bolt GB/T 5783 M6×30	2
26	00005080	Water-proof joint M20	1
27	00008356	Plug (380VAC)	1
	00007742	Plug (220VAC)	1
28	00000817	Screw GB/T 70.1 M5×20	4

**111.1 Left Tray Door and Hydraulic Tank Installation**

Item	Part No.	Description	Qty.
29	00000606	Washer GB/T 93 5	4
30	00000605	Washer GB/T 97.1 5	4

### 112.1 Hydraulic Tank Assembly



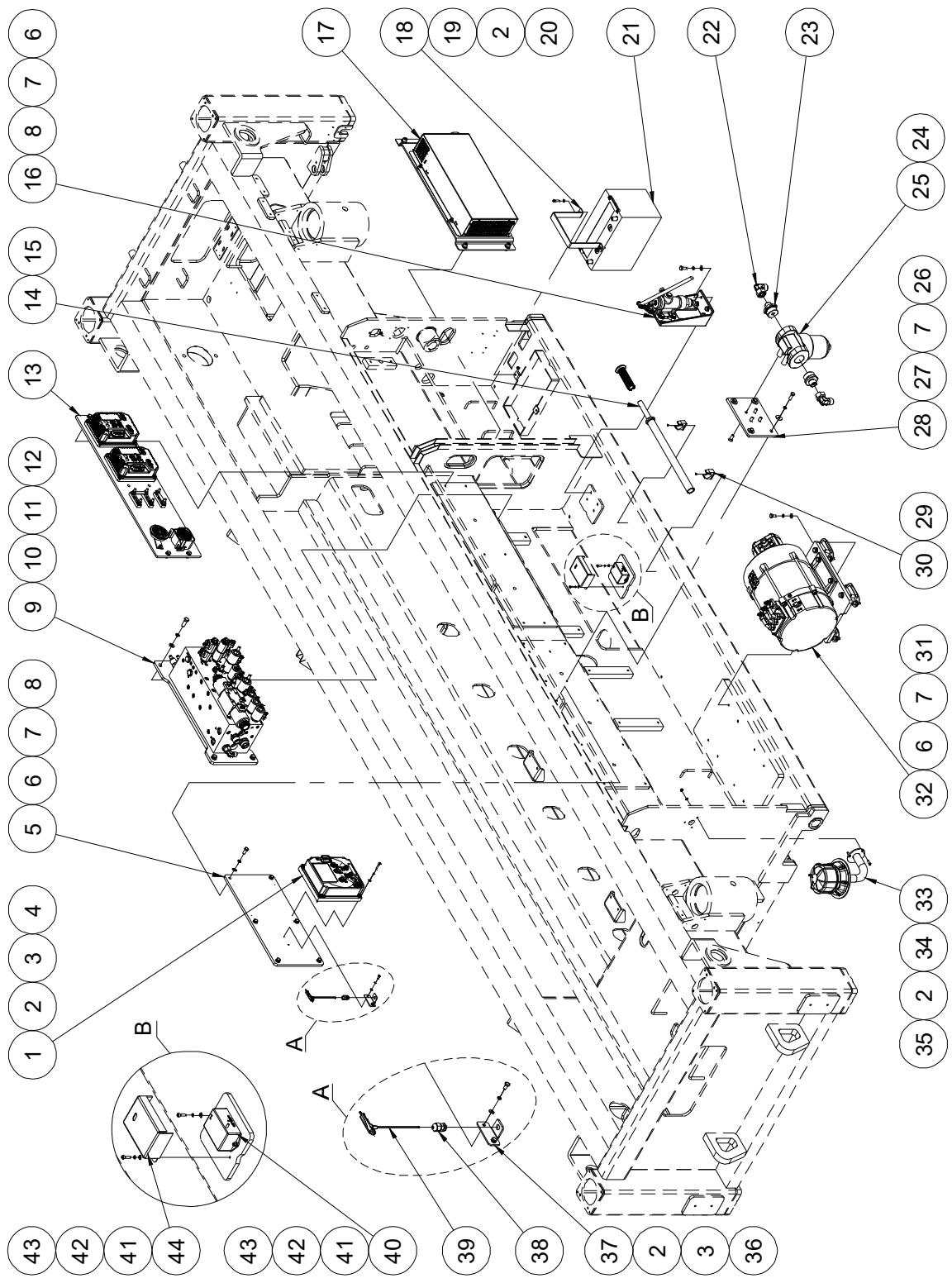
**112.1 Hydraulic Tank Assembly**

Item	Part No.	Description	Qty.
1	10018088	Hydraulic tank weldment	1
2	00001361	O-ring GB1235-76 60×3.1	1
3	10017981	Pipe	1
4	00000520	Air cleaner	2
5	00000606	Washer GB/T 93 5	14
6	00001246	Screw GB/T 70.1 M5×16	8
7	10013558	Keeper bar	1
8	00002246	Bolt GB/T 5783 M5×12	2
9	00000605	Washer GB/T 97.1 5	6
10	00000743	Bolt GB/T 5783 M6×20	4
11	00000621	Washer GB/T 93 6	22
12	00000620	Washer GB/T 97.1 6	22
13	00001869	Return filter	1
--	00004706	Filter element	1
14	00000774	Screw GB/T 70.1 M6×20	4
15	00003964	Straight fitting	3
16	10000069	Pipe	1
17	00000619	Bolt GB/T 5783 M6×25	18
18	10004863	Cover weldment	1
19	00004412	O-ring GB/T 3452.1-272×5.3	1
20	00000678	Bolt GB/T 5783 M10×25	8
21	00000679	Washer GB/T 93 10	8
22	00001028	Washer GB/T 96.1 10	8
23	00001075	Plug VSTI18×1.5ED	2
24	00003844	Straight fitting	1
25	00001242	Tee fitting	1
26	50001442	Flange	1
27	00001536	O-ring As568A 82.22×2.62	1
28	00001872	Suction filter	1

**112.1 Hydraulic Tank Assembly**

<b>Item</b>	<b>Part No.</b>	<b>Description</b>	<b>Qty.</b>
29	00001076	Plug VST120×1.5ED	1
30	50000197	G3/4 Plug	1
31	50000523	Washer	1
32	00001873	Level gauge	1

113.1 Left Tray Assembly



**113.1 Left Tray Assembly**

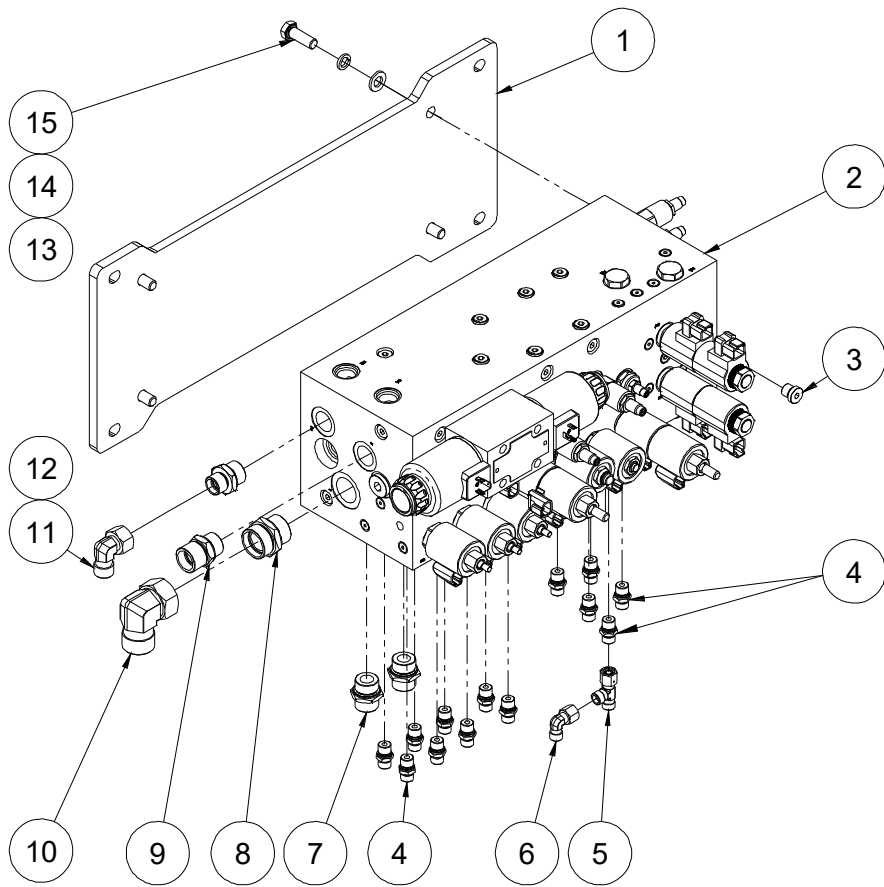
Item	Part No.	Description	Qty.
1	92100569	Motor controller	1
2	00000620	Washer GB/T 97.1 6	9
3	00000621	Washer GB/T 93 6	6
4	00001042	Screw GB/T 70.1 M6×30	4
5	10022808	Controller bracket	1
6	00000615	Washer GB/T 97.1 10	26
7	00000679	Washer GB/T 93 10	30
8	00000678	Bolt GB/T 5783 M10×25	14
9		Function manifold assembly (refer to 114.1)	1
10	00000814	Washer GB/T 97.1 12	4
11	00000815	Washer GB/T 93 12	4
12	00002046	Bolt GB/T 5783 M12×35	4
13		Motor controller assembly 2 (refer to 115.1)	1
14	10004795	Handle	1
15	10004798	Handle grip	1
16		Manual pump assembly (refer to 116.1)	1
17		Charger assembly (refer to 117.1)	1
18	10011211	Press plate	1
19	00001034	Screw GB/T 70.1 M6×25	2
20	00002574	Nut GB/T 6183.1 M6	2
21	00002200	Battery	1
22	00001842	Elbow	2
23	00003963	Straight fitting	2
24	00000847	Screw GB/T 70.3 M10×30	4
25	00001871	High pressure line filter	1
--	00004696	Filter element	1
26	00000683	Bolt GB/T 5783 M10×30	4
27	00001028	Washer GB/T 96.1 10	4
28	10017768	Filter bracket	1



**113.1 Left Tray Assembly**

Item	Part No.	Description	Qty.
29	00004385	Screw GB/T 823 M4×8	2
30	00001824	Clip 32	2
31	00000674	Bolt GB/T 5783 M10×20	8
32		Pump motor assembly (refer to 118.1)	1
33		Beacon assembly (refer to 108.1)	1
34	00000832	Screw GB/T 70.3 M6×25	3
35	00001033	Nut GB/T 6182 M6	3
36	00000745	Bolt GB/T 5783 M6×12	2
37	10012522	Bracket	1
38	00001825	Water-proof joint M12	1
39	00006828	Wrench GB/T 5356-3	1
40	00003962	Tilt sensor	1
41	00000605	Washer GB/T 97.1 5	4
42	00000606	Washer GB/T 93 5	4
43	00001246	Screw GB/T 70.1 M5×16	4
44	10003942	Tilt sensor cover	1

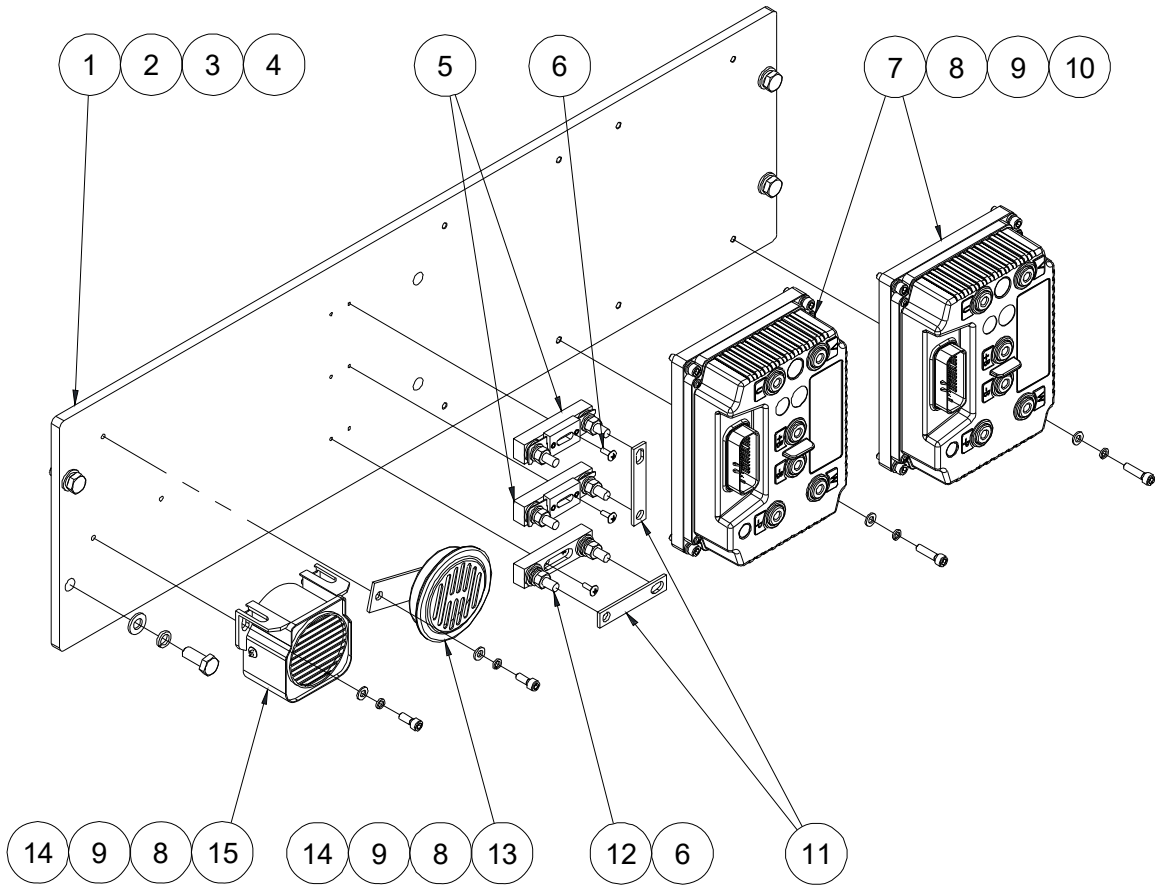
### 114.1 Function Manifold Assembly



**114.1 Function Manifold Assembly**

Item	Part No.	Description	Qty.
1	10015525	Function manifold bracket	1
2	00007806	Function manifold (refer to 406.1)	1
3	00001073	Plug VST114×1.5ED	1
4	00001282	Straight fitting	14
5	00001237	Tee fitting	2
6	00001832	Elbow	2
7	00008469	Straight fitting	2
8	00002071	Straight fitting	1
9	00004466	Straight fitting	1
10	00001837	Elbow	1
11	00001835	Elbow	1
12	00006556	Straight fitting	1
13	00000814	Washer GB/T 97.1 12	4
14	00000815	Washer GB/T 93 12	4
15	00002046	Bolt GB/T 5783 M12×35	4

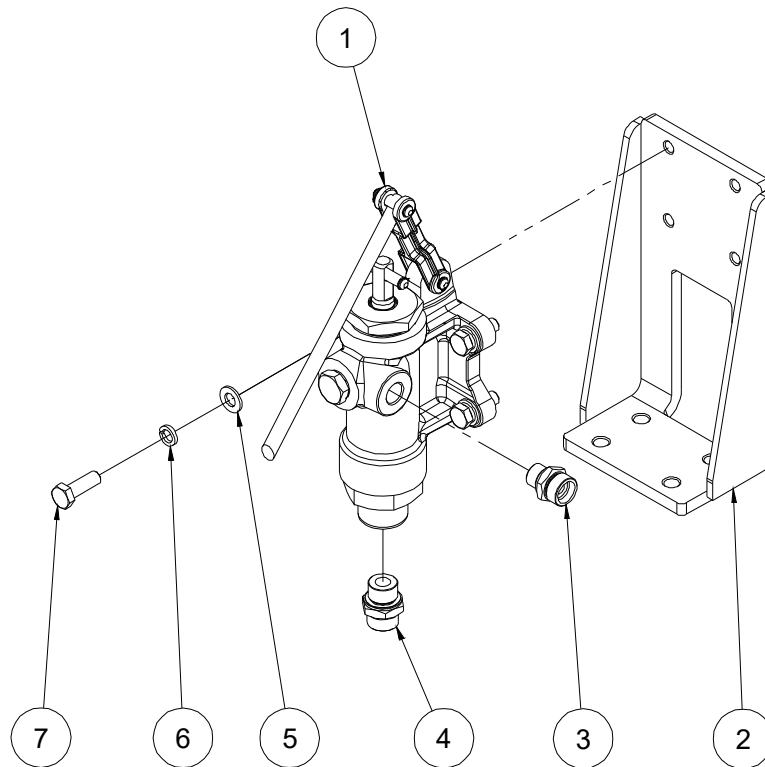
### 115.1 Motor Controller Assembly 2



**115.1 Motor Controller Assembly 2**

Item	Part No.	Description	Qty.
1	10018167	Mounting plate	1
2	00000615	Washer GB/T 97.1 10	4
3	00000679	Washer GB/T 93 10	4
4	00000678	Bolt GB/T 5783 M10×25	4
5	00001031	350A Fuse assembly	2
--	00000758	350A Fuse	1
--	00000757	Fuse seat	1
6	00001003	Screw GB/T 973 M4×12	6
7	00007941	Motor controller	2
8	00000620	Washer GB/T 97.1 6	11
9	00000621	Washer GB/T 93 6	11
10	00001034	Screw GB/T 70.1 M6×25	8
11	50000099	Copper bar 3	2
12	00000757	Fuse seat	1
13	00002212	Horn	1
14	00000876	Screw GB/T 70.1 M6×16	3
15	00004438	Alarm	1

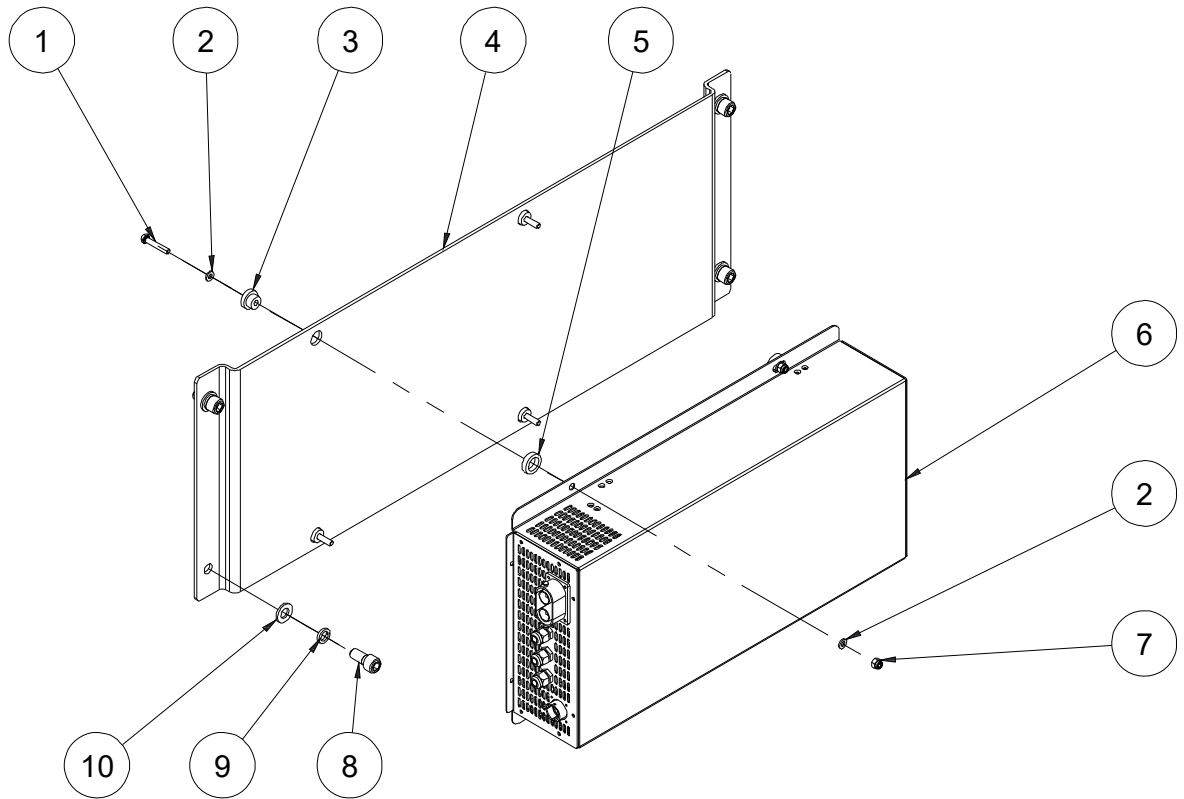
### 116.1 Manual Pump Assembly



### 116.1 Manual Pump Assembly

Item	Part No.	Description	Qty.
1	00000315	Manual pump	1
2	10004781	Manual pump bracket	1
3	00001507	Straight fitting	1
4	00001506	Straight fitting	1
5	00000615	Washer GB/T 97.1 10	4
6	00000679	Washer GB/T 93 10	4
7	00000683	Bolt GB/T 5783 M10×30	4

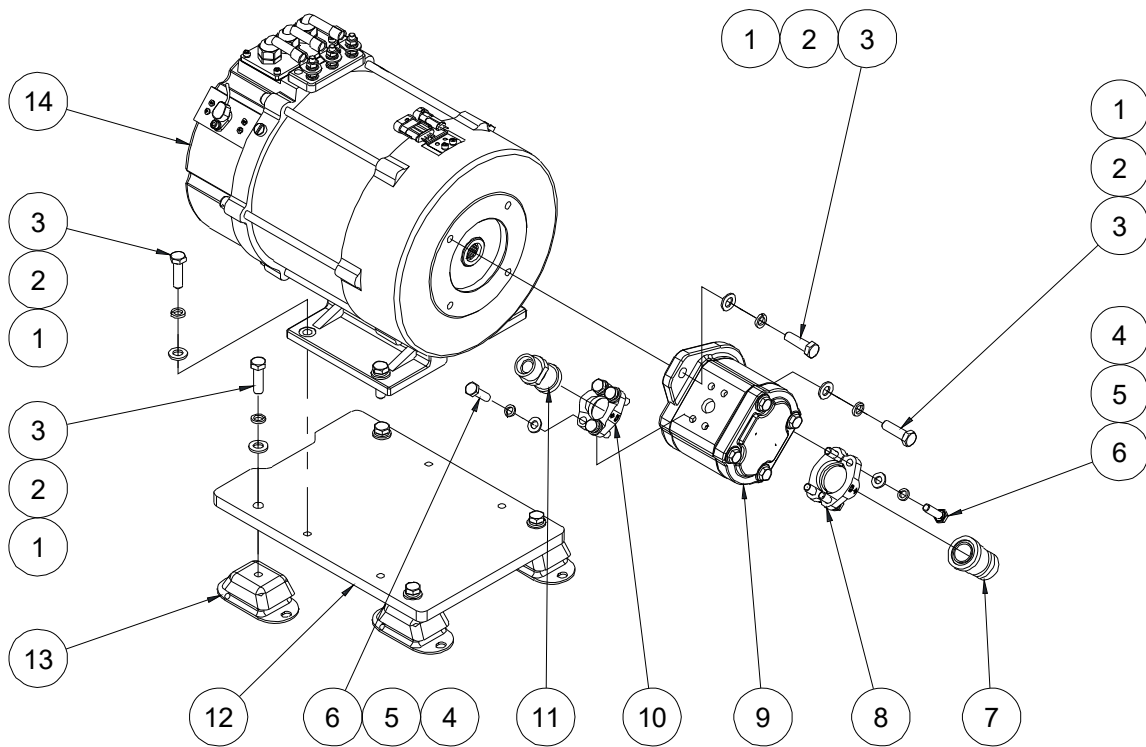
**117.1 Charger Assembly**



**117.1 Charger Assembly**

Item	Part No.	Description	Qty.
1	00002895	Bolt GB/T 5783 M6×35	4
2	00000620	Washer GB/T 97.1 6	8
3	50002379	Nylon insulator	4
4	10018038	Charger bracket (380V)	1
	10015775	Charger bracket (220V)	1
5	50002380	Nylon insulator	4
6	00008241	Charger (380V)	1
	92100559	Charger (220V)	1
7	00001033	Nut GB/T 6182 M6	4
8	00004170	Screw GB/T 70.1 M12×25	4
9	00000815	Washer GB/T 93 12	4
10	00000814	Washer GB/T 97.1 12	4

### 118.1 Pump Motor Assembly

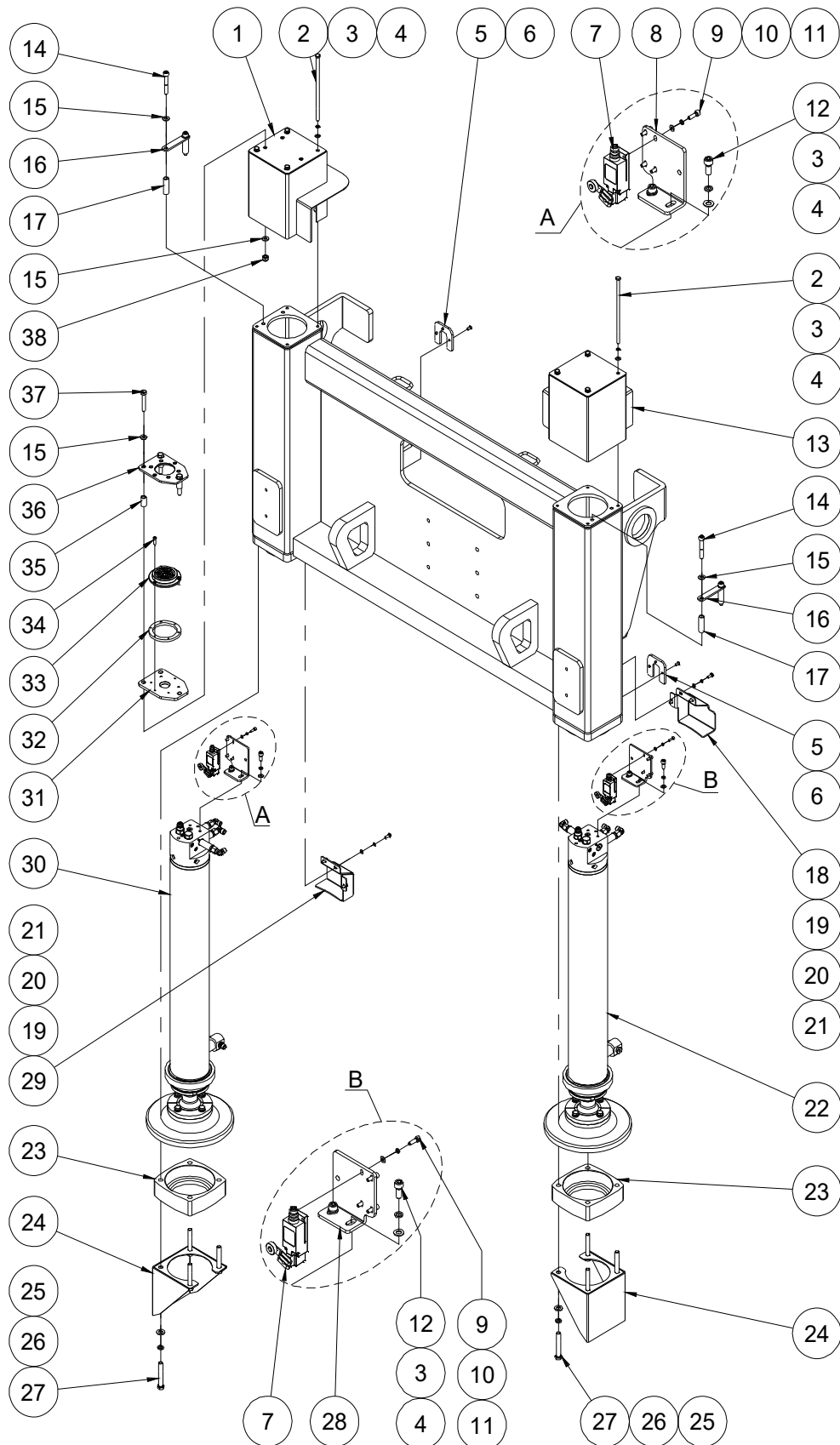


### 118.1 Pump Motor Assembly

Item	Part No.	Description	Qty.
1	00000814	Washer GB/T 97.1 12	10
2	00000815	Washer GB/T 93 12	10
3	00001055	Bolt GB/T 5783 M12×40	10
4	00000615	Washer GB/T 97.1 10	8
5	00000679	Washer GB/T 93 10	8
6	00000684	Bolt GB/T 5783 M10×35	8
7	00008473	Flange adapter	1
8	00008472	Flange	1
9	00008466	Pump	1
10	90003625	Flange	1
11	00006180	Flange adapter	1
12	10015726	Motor bracket	1
13	92100536	Absorber	4
14	00008456	Motor	1



119.1 Outriggers Assembly



**119.1 Outriggers Assembly**

Item	Part No.	Description	Qty.
1	10012159	Outrigger cover	1
2	00006125	Bolt GB/T 5782 M8×210	8
3	00000609	Washer GB/T 93 8	12
4	00000608	Washer GB/T 97.1 8	12
5	10010273	Rubber block	2
6	00000829	Screw GB/T 70.3 M6×12	6
7	00000748	Limit switch	2
8	10010155	Switch bracket	1
9	00001246	Screw GB/T 70.1 M5×16	8
10	00000606	Washer GB/T 93 5	8
11	00000605	Washer GB/T 97.1 5	8
12	00001061	Screw GB/T 70.1 M8×20	4
13	10010981	Outrigger cover (without bubble level)	1
14	00002563	Screw GB/T 70.1 M10×65	4
15	00000615	Washer GB/T 97.1 10	10
16	10010158	Signal plate	2
17	10010173	Spacer sleeve	4
18	10024193	Cover	1
19	00000620	Washer GB/T 97.1 6	6
20	00000621	Washer GB/T 93 6	6
21	00000818	Bolt GB/T 5783 M6×16	6
22		Left outrigger cylinder assembly (without seal kit) (refer to 402.1)	1
23	10010132	Outrigger seat	2
24	10012523	Outrigger support frame	2
25	00000814	Washer GB/T 97.1 12	8
26	00000815	Washer GB/T 93 12	8
27	00002527	Bolt GB/T 5782 M12×80	8
28	10010157	Switch bracket	1

**119.1 Outriggers Assembly**

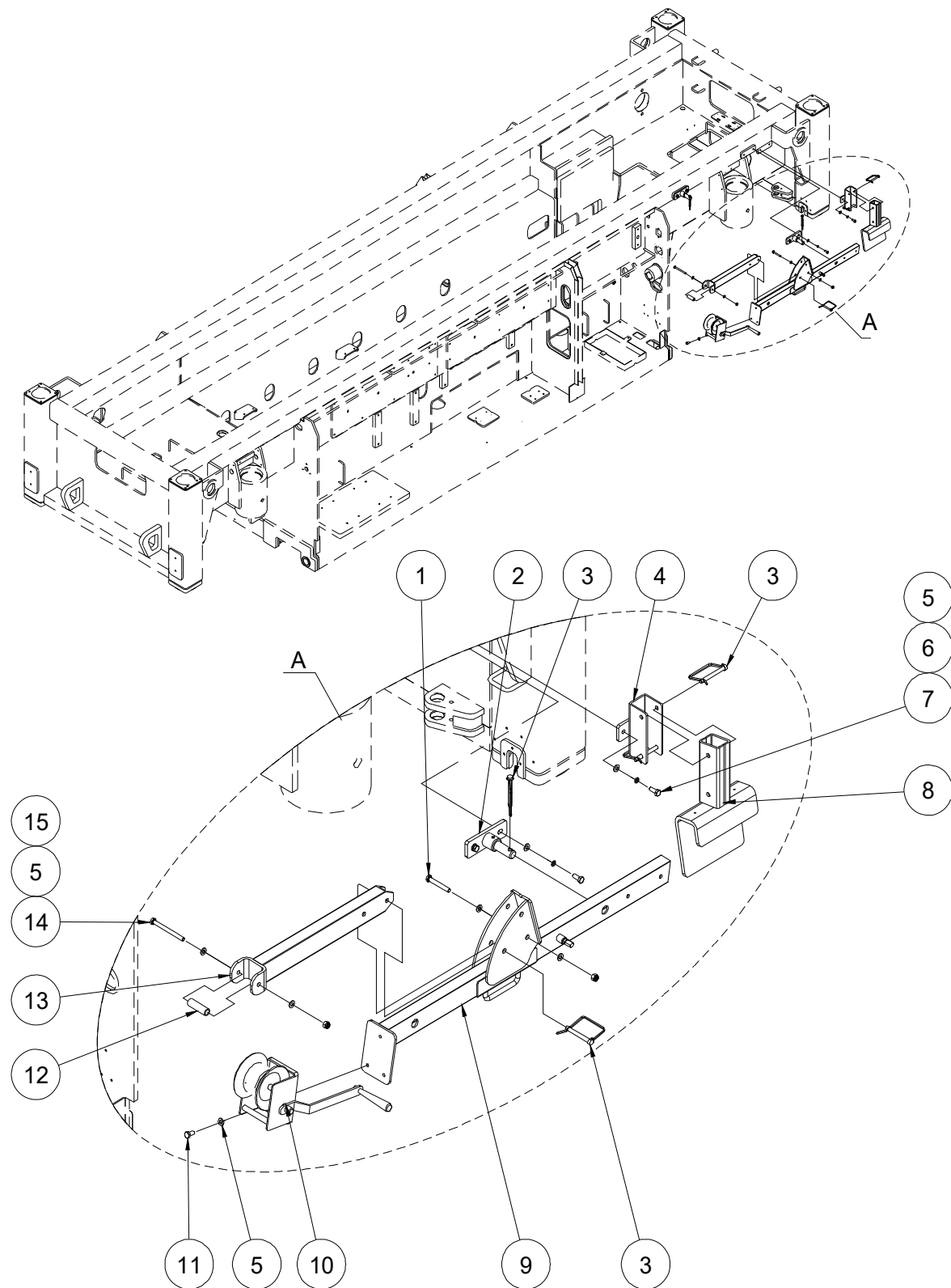
Item	Part No.	Description	Qty.
29	10024194	Cover	1
30		Right outrigger cylinder assembly (without seal kit) (refer to 403.1)	1
31	10012155	Bubble level mount plate	1
32	10004271	Rubber pad	1
33	10004259	Bubble level	1
34	00000817	Screw GB/T 70.1 M5×20	3
35	10012156	Spacer sleeve	3
36	10012157	Bubble level cover	1
37	00002508	Bolt GB/T 5783 M10×60	3
38	00000623	Nut GB/T 6182 M10	3



**120.1 Ladder and Chassis Accessory Installation**

Item	Part No.	Description	Qty.
1	10018145	Switch bracket	1
2	00001061	Screw GB/T 70.1 M8×20	4
3	00000609	Washer GB/T 93 8	12
4	00002000	Washer GB/T 96.1 8	4
5	00000748	Limit switch	2
6	00001252	Screw GB/T 70.1 M5×12	8
7	00000606	Washer GB/T 93 5	8
8	00003545	Washer GB/T 96.1 5	8
9	00002863	Bolt QC/T 340 M6×10	1
10	10002979	Ground strap	1
11	00001026	Bolt GB/T 5782 M8×80	2
12	10000047	Base plate	2
13	00000538	Hose clamp	2
14	00002575	Nut GB/T 6183.1 M8	10
15	00001063	Bolt GB/T 5783 M8×16	8
16	00000608	Washer GB/T 97.1 8	8
17	00000610	Nut GB/T 6170 M8	8
18	10018767	Clamp	4
19	10018770	Cable bridge weldment	1
20	10022995	Frame weldment	1
21	10018763	Cable bridge weldment	1
22	10010171	Bumper	4
23	00000615	Washer GB/T 97.1 10	12
24	00000679	Washer GB/T 93 10	12
25	00002238	Screw GB/T 70.1 M10×35	8
26	00000678	Bolt GB/T 5783 M10×25	4
27	10018125	Ladder	1
28	10018143	Switch bracket	1

### 121.1 Guardrail turning device



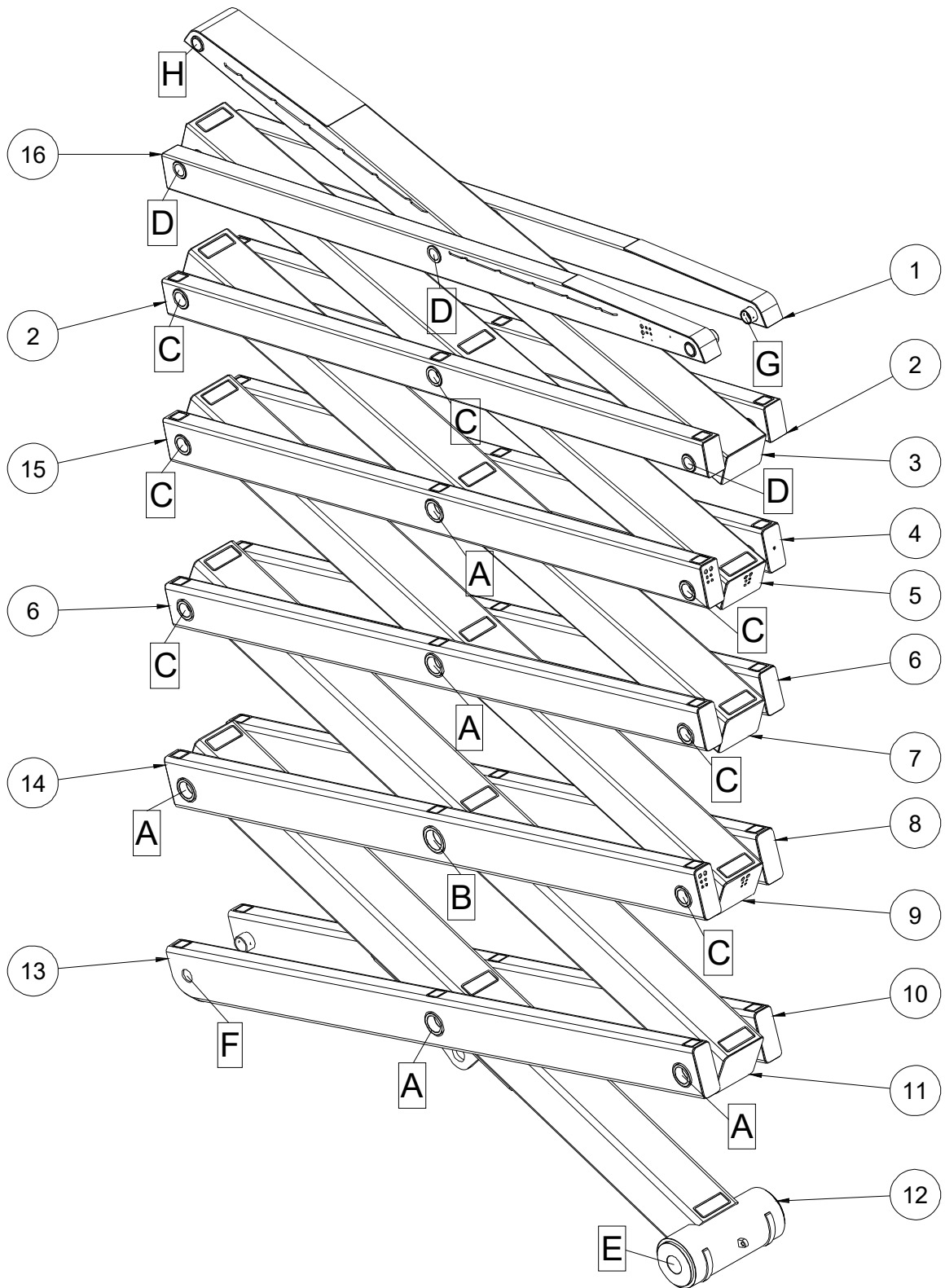
**121.1 Guardrail turning device**

Item	Part No.	Description	Qty.
1	00001162	Bolt GB/T 5782 M8×60	1
2	10023029	Fixed mount weldment	2
3	10012090	Inserted pin	5
4	10023032	Fixed mount weldment	1
5	00000608	Washer GB/T 97.1 8	13
6	00000609	Washer GB/T 93 8	6
7	00000875	Bolt GB/T 5783 M8×20	6
8	10023075	Bayonet weldment	1
9	10023014	Fixed mount weldment	1
10	10023024	Capstan	1
11	00001063	Bolt GB/T 5783 M8×16	3
12	10023079	Spacer sleeve	1
13	10023019	Link plate	1
14	00002892	Bolt GB/T 5782 M8×90	1
15	00001163	Nut GB/T 6182 M8	2

# Section 2 Scissor



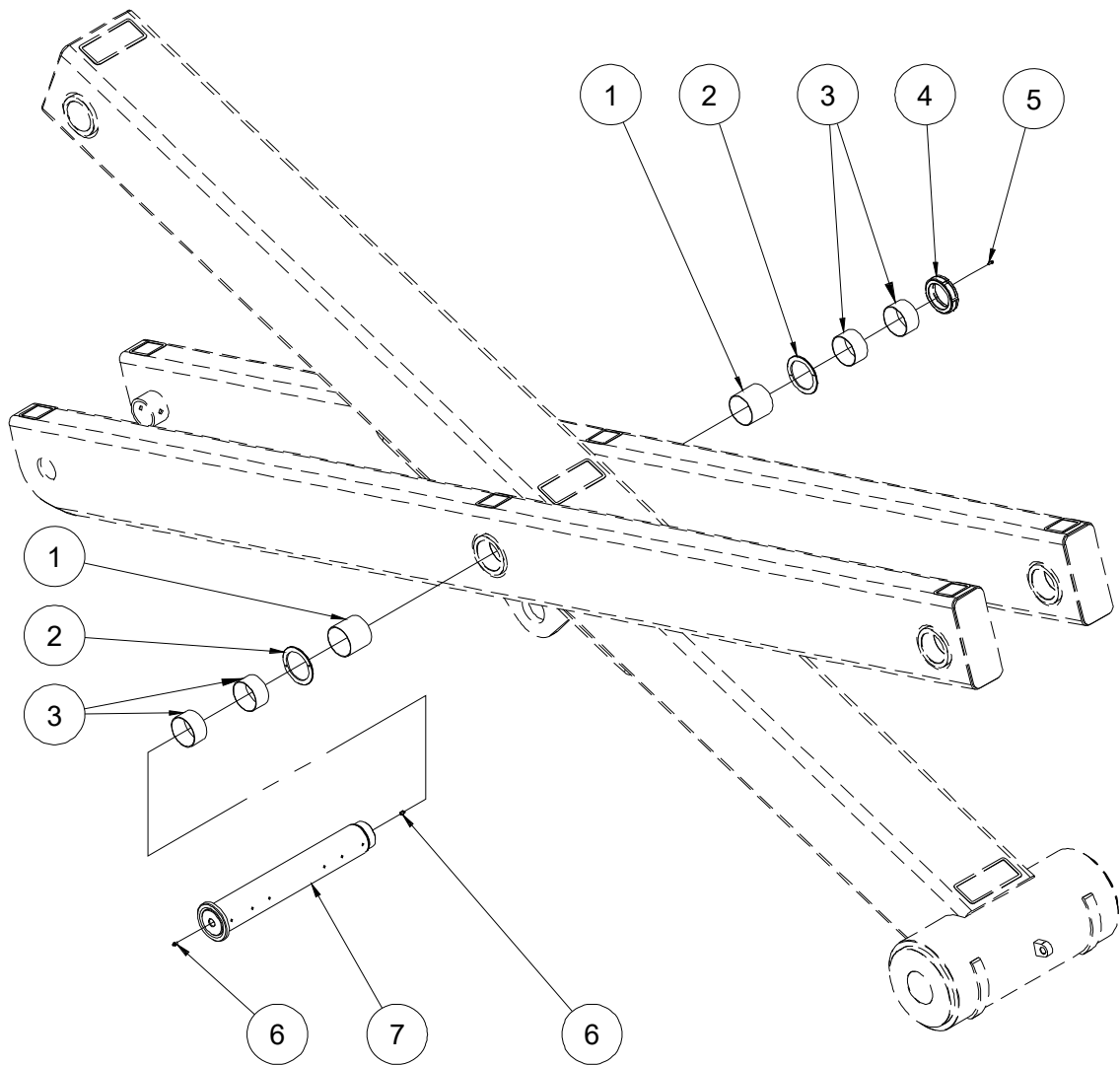
### 201.1 Scissor Arms Installation



**201.1 Scissor Arms Installation**

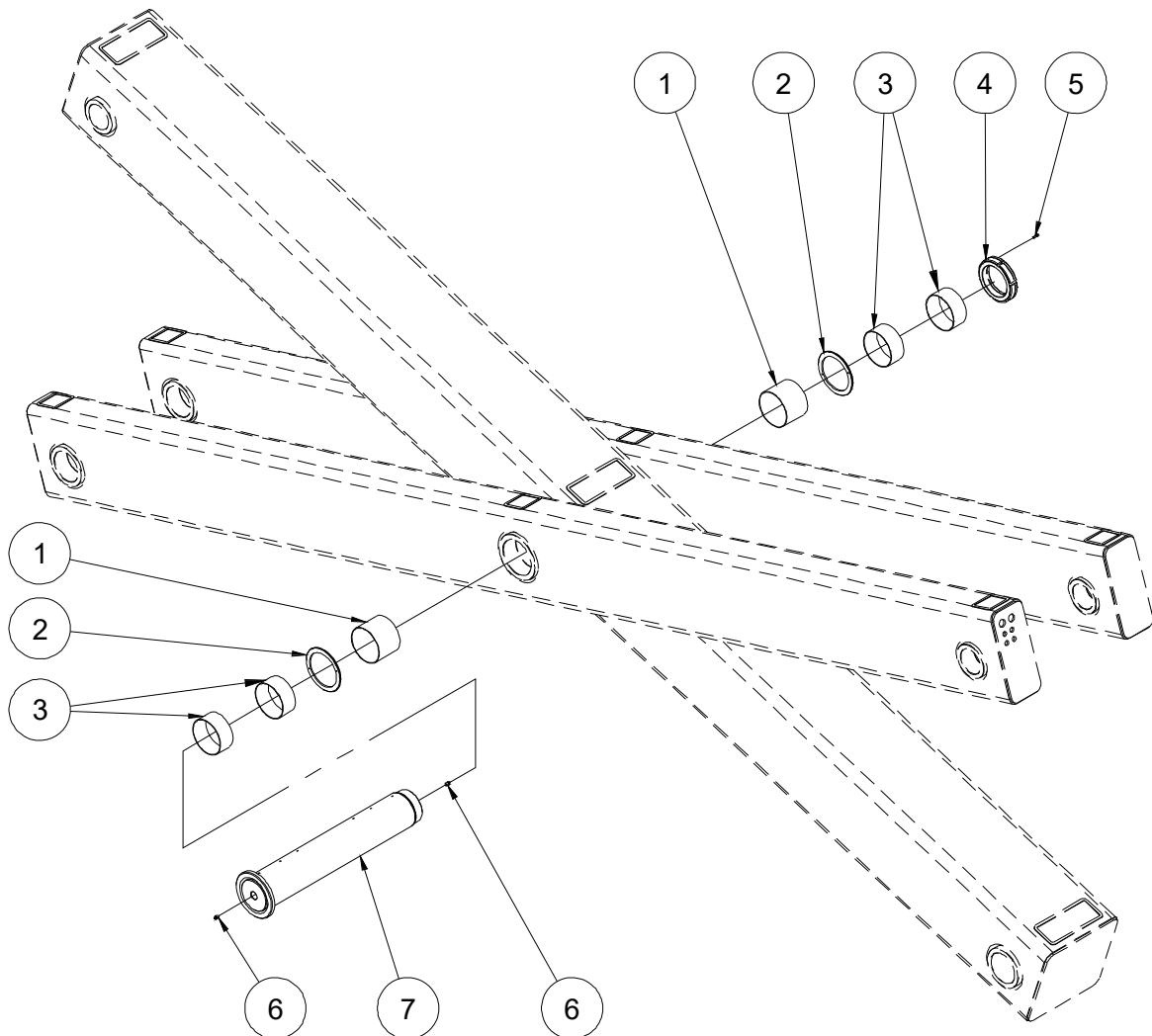
<b>Item</b>	<b>Part No.</b>	<b>Description</b>	<b>Qty.</b>
1	10016728	Outer arm 6, right	1
2	10016722	Outer arm 5	2
3	10016724	Inner arm 6	1
4	10016719	Outer arm 4, right	1
5	10016720	Inner arm 5	1
6	10016713	Outer arm 3, right	2
7	10016715	Inner arm 4	1
8	10016710	Outer arm 2, right	1
9	10016711	Inner arm 3	1
10	10016705	Outer arm 1, right	1
11	10016706	Inner arm 2	1
12	10018061	Inner arm 1	1
13	10016703	Outer arm 1, left	1
14	10016708	Outer arm 2, left	1
15	10016717	Outer arm 4, left	1
16	10016726	Outer arm 6, left	1

**202.1 Scissor Arm pin joint A**



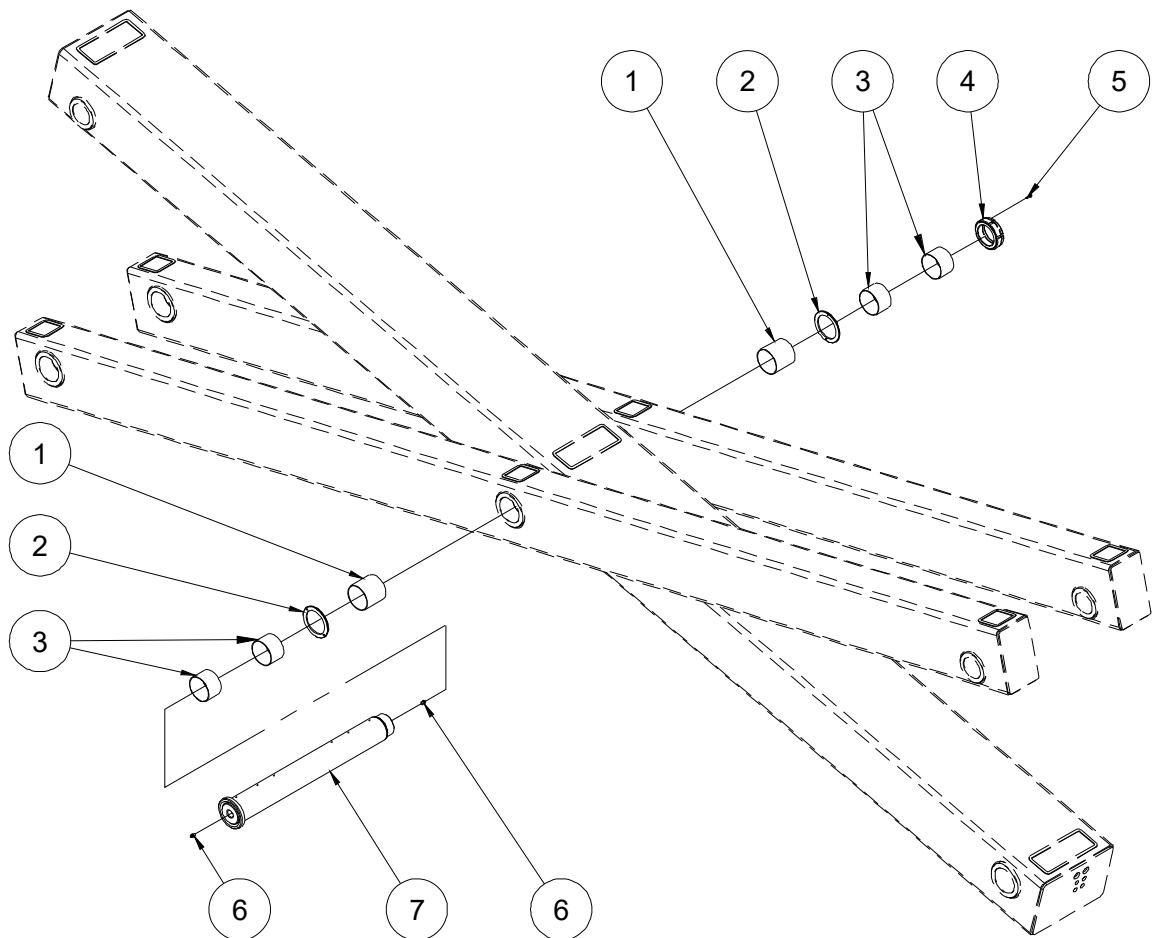
**202.1 Scissor Arm pin joint A**

Item	Part No.	Description	Qty.
1	00007872	8812-110115100A Bearing	2
2	10016087	Washer 110	2
3	00007873	8812-11011560A Bearing	4
4	10017509	Nut M100	1
5	00000876	Screw GB/T 70.1 M6×16	6
6	00004483	Grease nipple GB/T 1152 M10×1	2
7	10016056	Pin 110	1

**203.1 Scissor Arm pin joint B****203.1 Scissor Arm pin joint B**

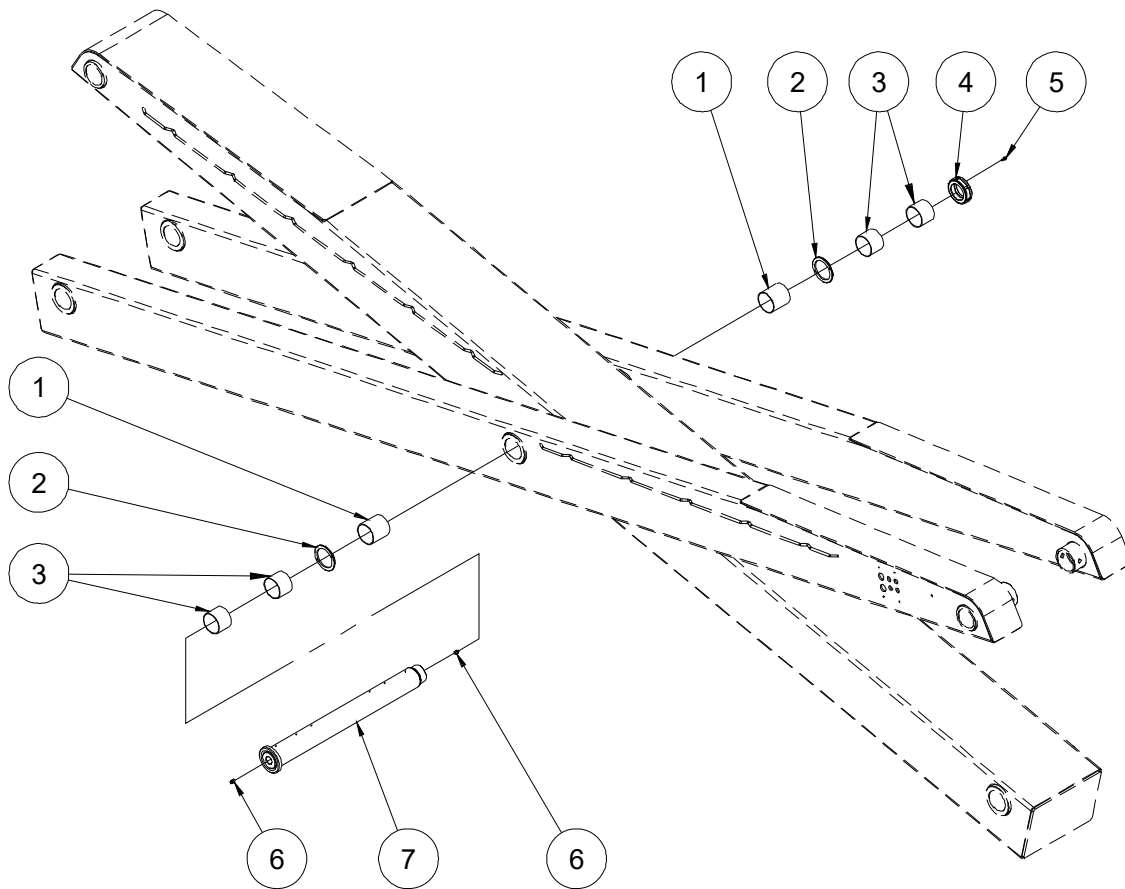
Item	Part No.	Description	Qty.
1	00007850	8812-130135100A Bearing	2
2	10016755	Washer 130	2
3	00007851	8812-13013560A Bearing	4
4	10017510	Nut M120	1
5	00000876	Screw GB/T 70.1 M6×16	6
6	00004483	Grease nipple GB/T 1152 M10×1	2
7	10016739	Pin 130	1

**204.1 Scissor Arm pin joint C**



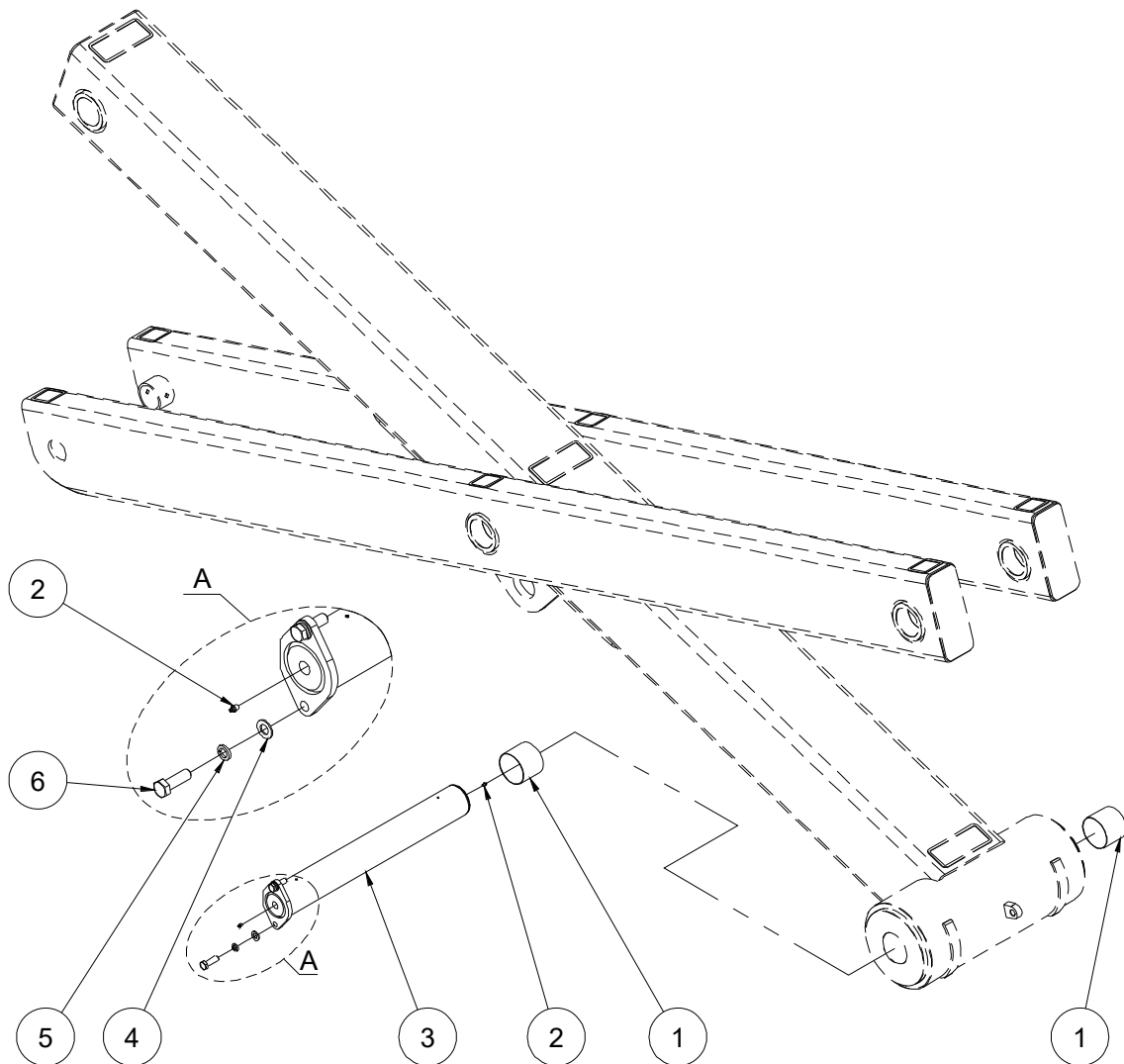
**204.1 Scissor Arm pin joint C**

Item	Part No.	Description	Qty.
1	00006140	8812-909590A Bearing	2
2	10009382	Washer 90	2
3	00006149	8812-909560A Bearing	4
4	10017506	Nu M80	1
5	00000876	Screw GB/T 70.1 M6×16	4
6	00004483	Grease nipple GB/T 1152 M10×1	2
7	10016063	Pin 90-1	1

**205.1 Scissor Arm pin joint D****205.1 Scissor Arm pin joint D**

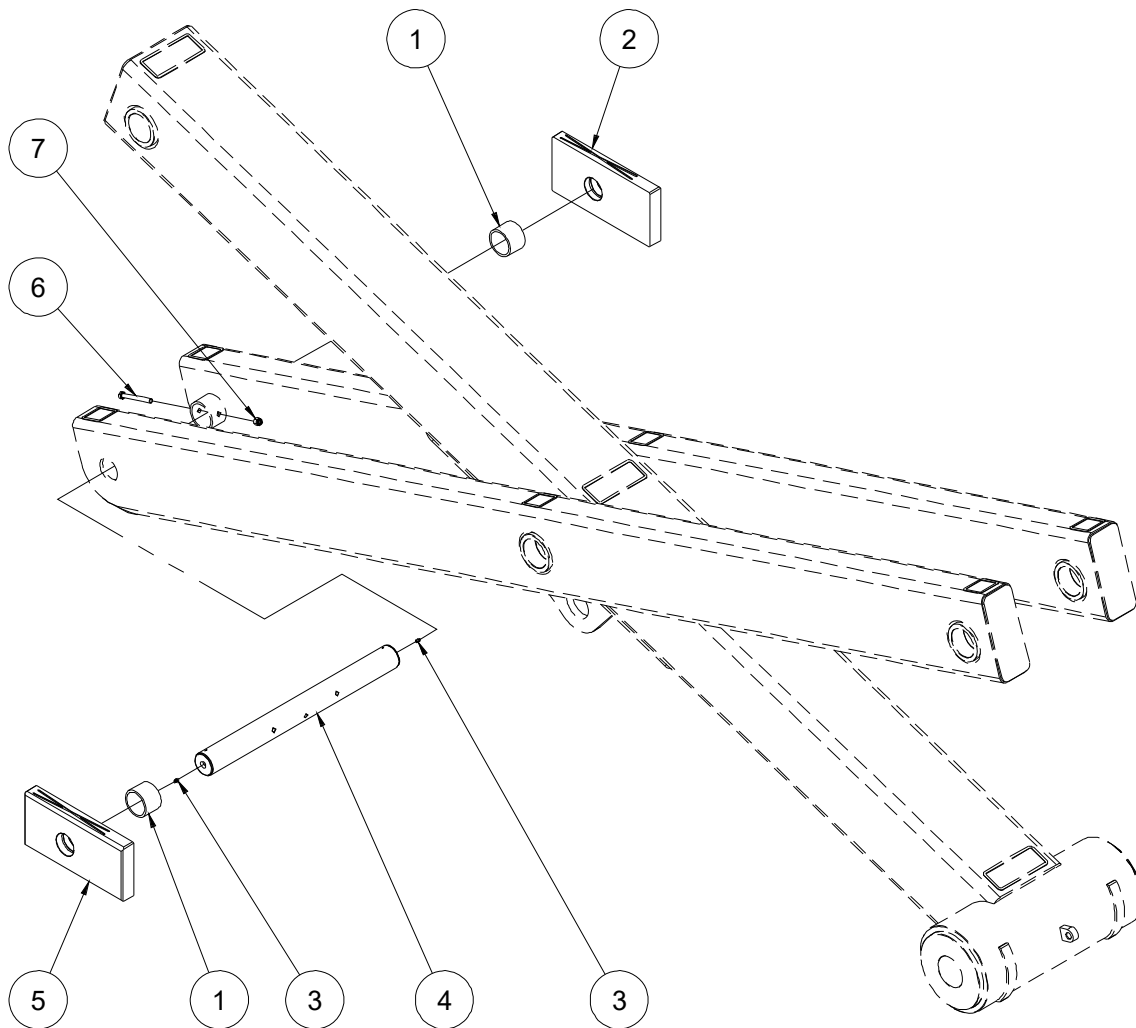
Item	Part No.	Description	Qty.
1	00006144	8812-758080A Bearing	2
2	10009374	Washer 75	2
3	00006143	8812-758060A Bearing	4
4	10017507	Nut M64	1
5	00002029	Screw GB/T 70.1 M6×12	4
6	00004483	Grease nipple GB/T 1152 M10×1	2
7	10016061	Pin 75	1

**206.1 Scissor Arm pin joint E**



**206.1 Scissor Arm pin joint E**

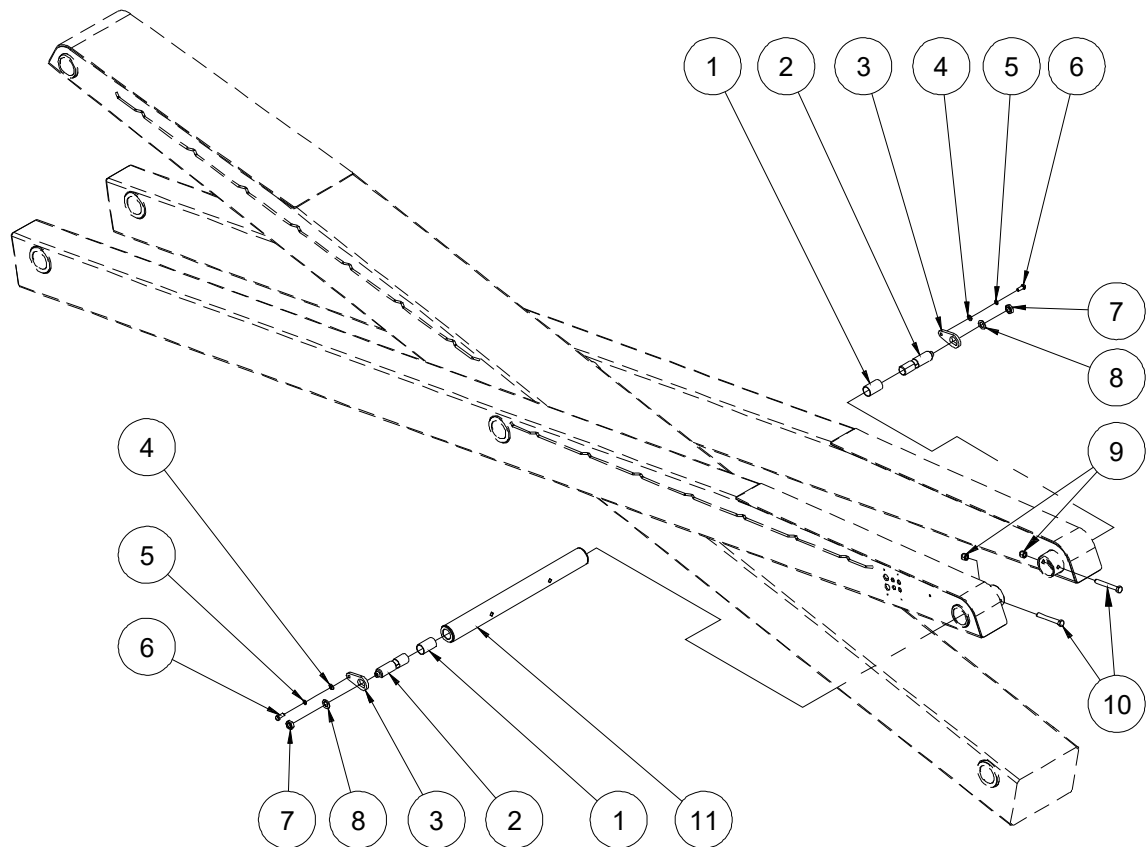
Item	Part No.	Description	Qty.
1	00006146	8812-120125100A Bearing	2
2	00004483	Grease nipple GB/T 1152 M10×1	2
3	10015873	Pin	1
4	00001050	Washer GB/T 97.1 20	2
5	00002219	Washer GB/T 93 20	2
6	00006443	Bolt GB/T 5783 M20×60	2

**207.1 Scissor Arm pin joint F****207.1 Scissor Arm pin joint F**

Item	Part No.	Description	Qty.
1	10016751	Spacer sleeve	2
2	10016066	Chassis slider	1
3	00004483	Grease nipple GB/T 1152 M10×1	2
4	10016750	Pin	1
5	10017868	Chassis slider	1
6	00005163	Bolt GB/T 5782 M16×150	2
7	00001257	Nut GB/T 6182 M16	2

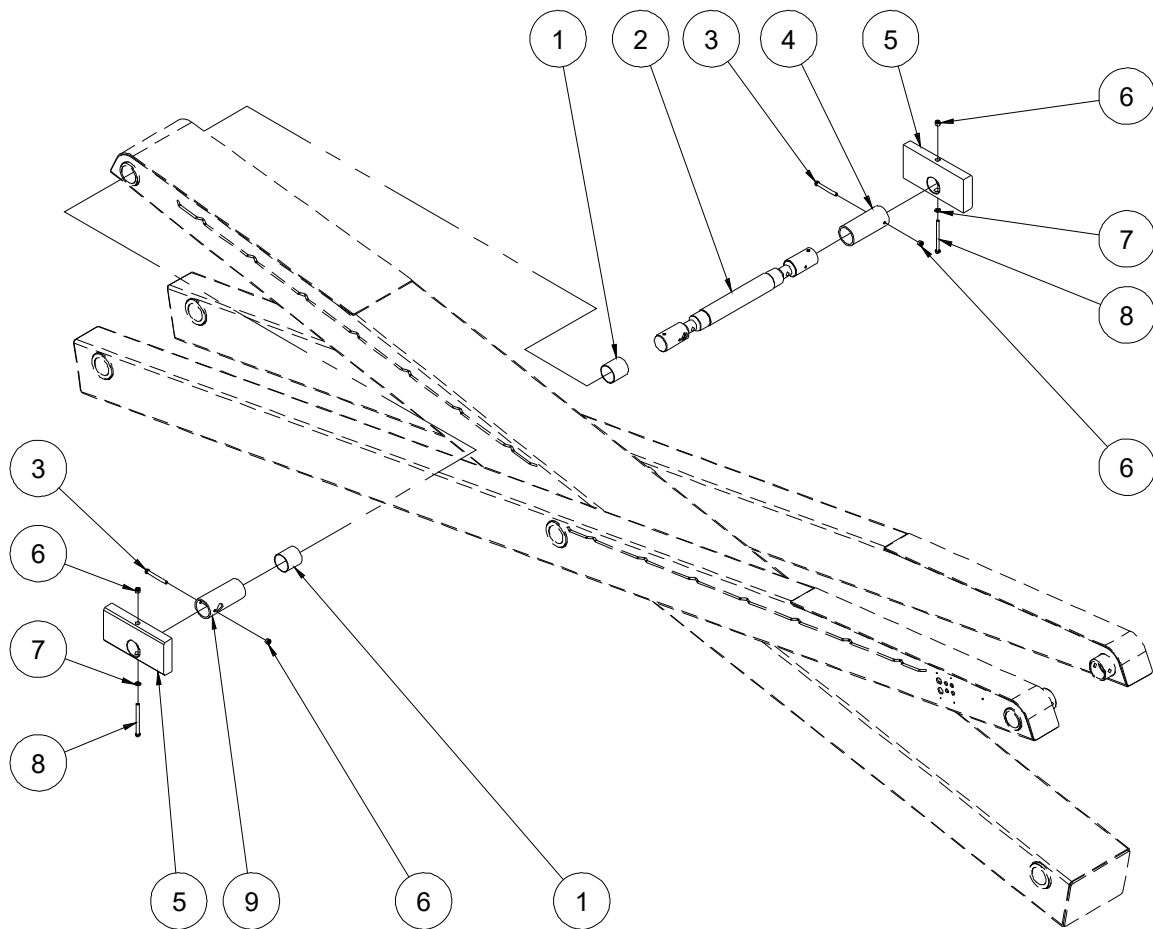


**208.1 Scissor Arm pin joint G**



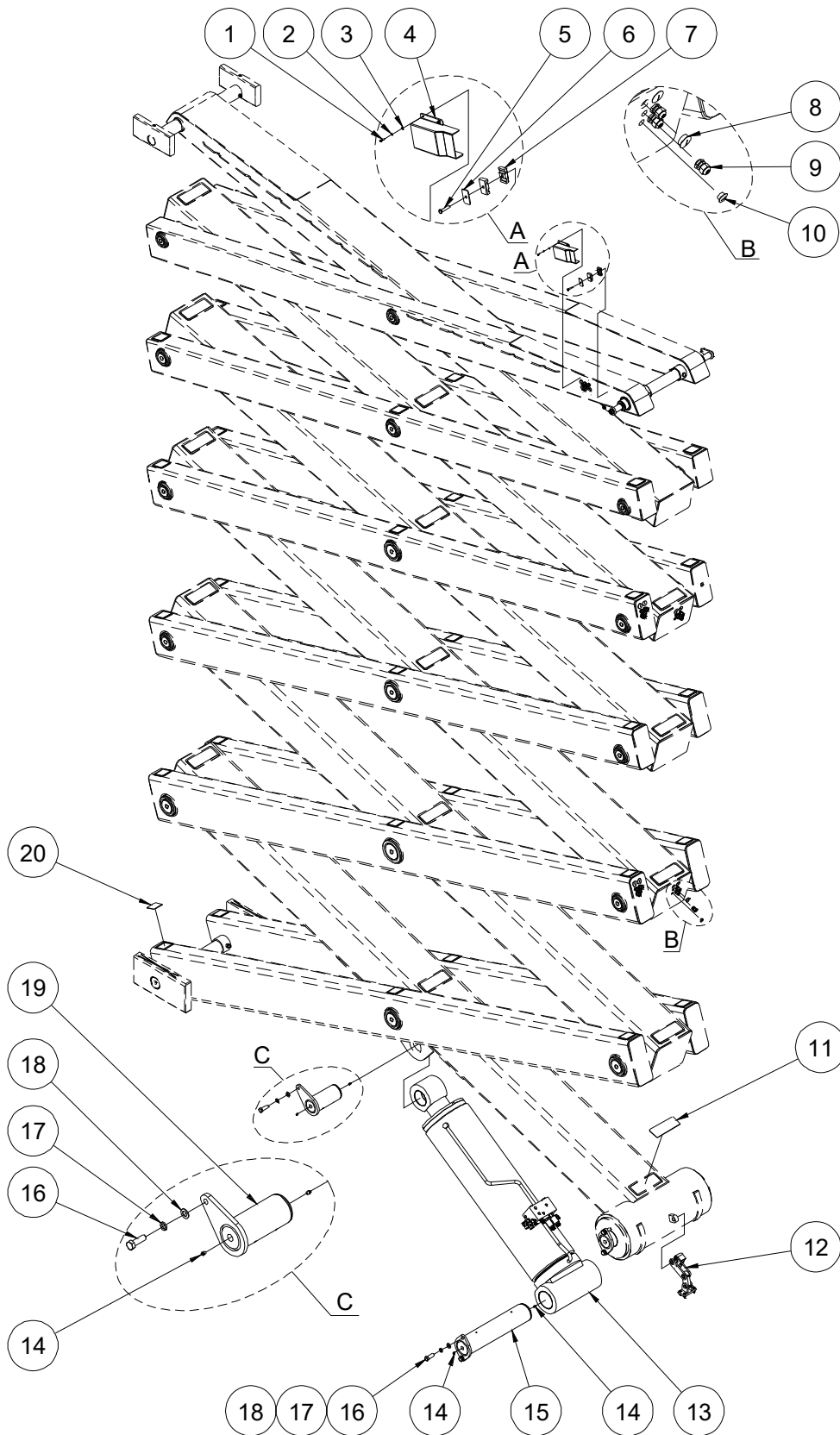
**208.1 Scissor Arm pin joint G**

Item	Part No.	Description	Qty.
1	00006165	8812-404470 Bearing	2
2	10009662	Pin	2
3	10009677	Pin fixing plate	2
4	00000814	Washer GB/T 97.1 12	2
5	00000815	Washer GB/T 93 12	2
6	00002059	Bolt GB/T 5783 M12×30	2
7	00001998	Nut GB/T 6173 M22×1.5	2
8	00002550	Washer GB/T 97.1 22	2
9	00001257	Nut GB/T 6182 M16	2
10	00001109	Bolt GB/T 5782 M16×130	2
11	10016072	Pin	1

**209.1 Scissor Arm pin joint H****209.1 Scissor Arm pin joint H**

Item	Part No.	Description	Qty.
1	00006166	8812-758080 Bearing	2
2	10016068	Pin	1
3	00006174	Bolt GB/T 5782 M12×110	2
4	10016070	Spacer sleeve	1
5	10016069	Platform slider	2
6	00001249	Nut GB/T 6182 M12	4
7	00000814	Washer GB/T 97.1 12	2
8	00006185	Bolt GB/T 5782 M12×150	2
9	10016071	Spacer sleeve	1

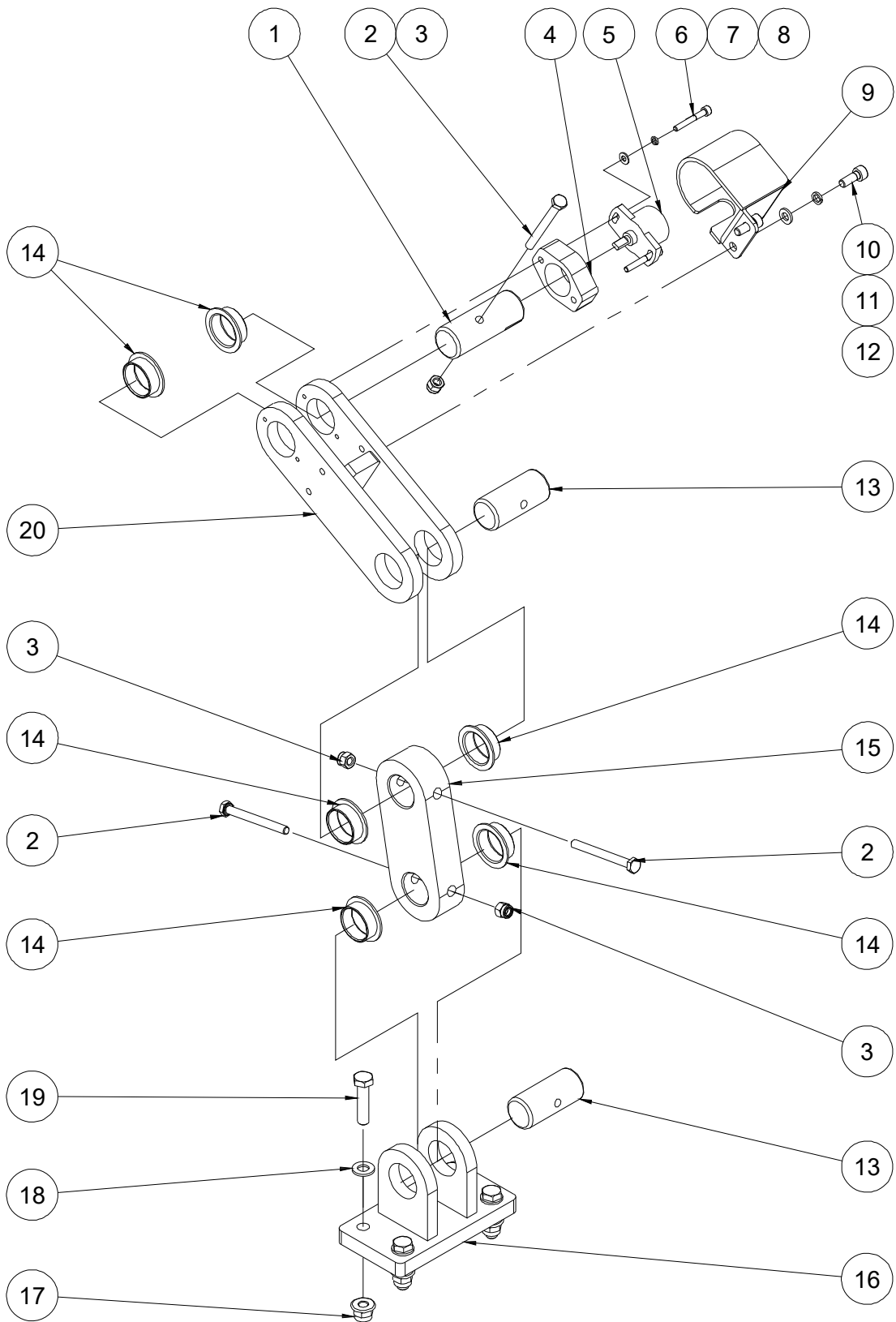
### 210.1 Lift cylinder and Scissor Accessory Installation



**210.1 Lift cylinder and Scissor Accessory Installation**

Item	Part No.	Description	Qty.
1	00001252	Screw GB/T 70.1 M5×12	4
2	00000606	Washer GB/T 93 5	4
3	00000605	Washer GB/T 97.1 5	4
4	10018063	Cover	1
5	00002604	Bolt GB/T 5783 M8×40	1
6	10017938	Base plate	1
7	10017895	Hose clamp	2
8	00006183	Cover	24
9	00006128	Water-proof joint M20×1.5	36
10	00006177	Cover	14
11	10016089	Block	15
12		Rotary sensor assembly (refer to 211.1)	1
13		Lift cylinder assembly (without seal kit) (refer to 401.1)	1
14	00004483	Grease nipple GB/T 1152 M10×1	40
15	10015876	Pin	1
16	00006443	Bolt GB/T 5783 M20×60	5
17	00002219	Washer GB/T 93 20	5
18	00001050	Washer GB/T 97.1 20	5
19	10016744	Pin	1
20	10017867	Block	30

### 211.1 Rotary Sensor Assembly

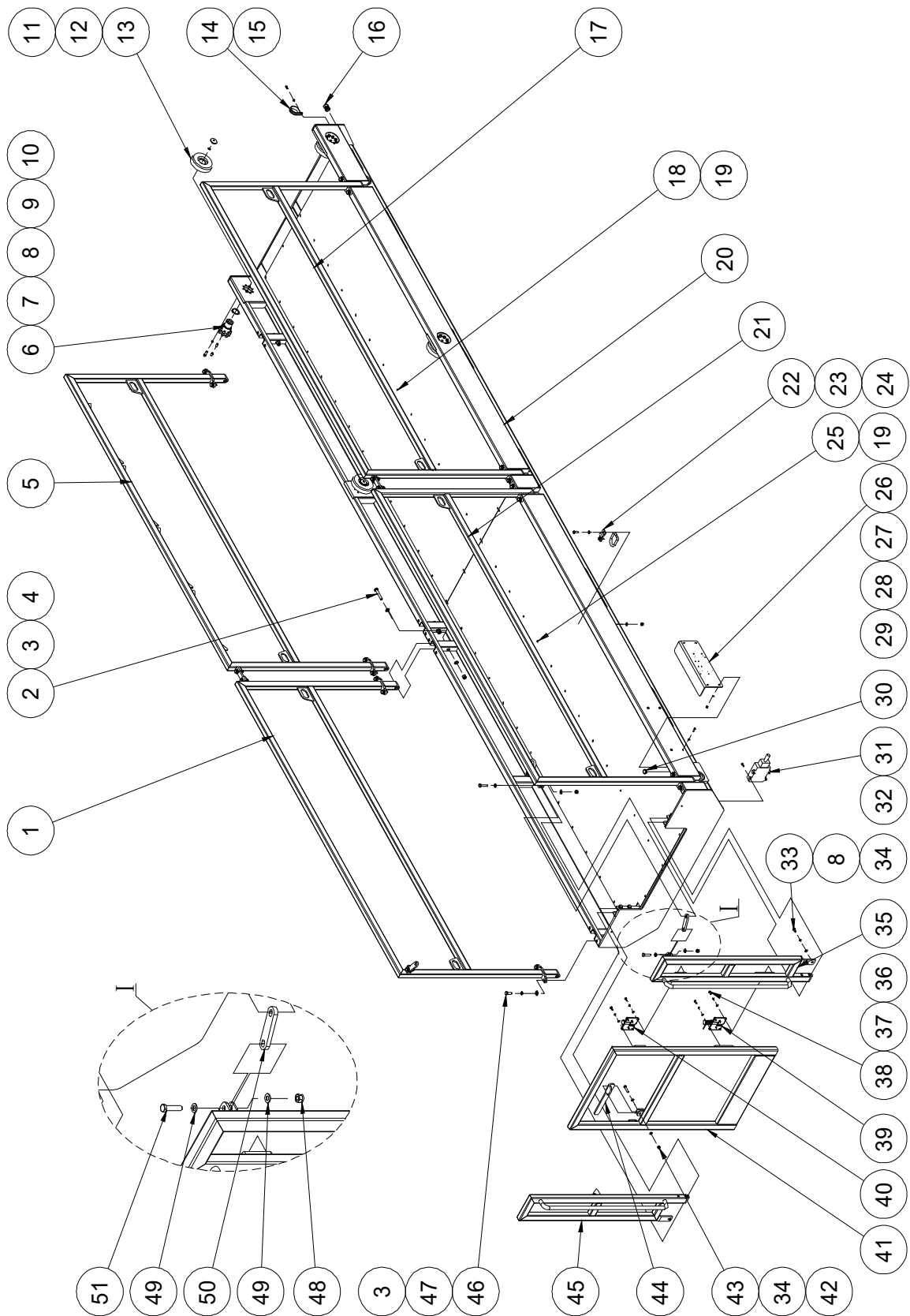


**211.1 Rotary Sensor Assembly**

Item	Part No.	Description	Qty.
1	10009584	Pin	1
2	00002335	Bolt GB/T 5782 M6×60	3
3	00001033	Nut GB/T 6182 M6	3
4	10001569	Sensor bracket	1
5	00000644	Rotary sensor	1
6	00002415	Screw GB/T 70.1 M4×30	2
7	00000779	Washer GB/T 93 4	2
8	00000778	Washer GB/T 97.1 4	2
9	10016634	Protect cover	1
10	00000876	Screw GB/T 70.1 M6×16	2
11	00000621	Washer GB/T 93 6	2
12	00000620	Washer GB/T 97.1 6	2
13	00006176	8942-2555 Pin	2
14	00006178	8822-2511 Bearing	6
15	10016075	Link plate	1
16	10009587	Bracket	1
17	00002575	Nut GB/T 6183.1 M8	4
18	00000608	Washer GB/T 97.1 8	4
19	00002488	Bolt GB/T 5783 M8×35	4
20	10016076	Link plate	1

# Section 3 Platform

**301.1 Main Platform Assembly**





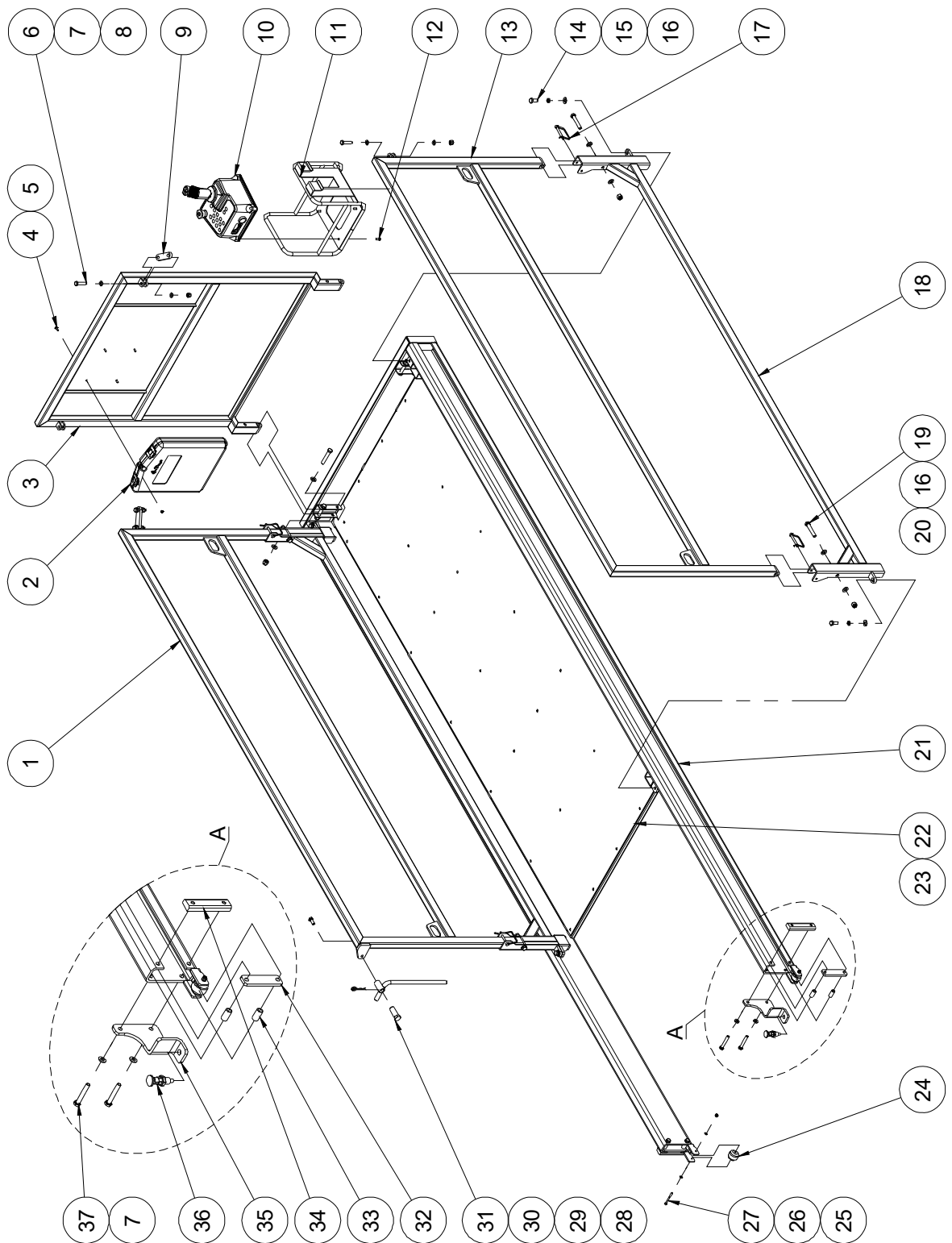
**301.1 Main Platform Assembly**

Item	Part No.	Description	Qty.
1	10017751	Side main rail 2	1
2	00004028	Bolt GB/T 5782 M12×70	12
3	00000814	Washer GB/T 97.1 12	40
4	00001249	Nut GB/T 6182 M12	12
5	10017753	Side main rail 4	1
6	10017758	Pin	4
7	00002555	Screw GB/T 70.1 M8×25	32
8	00000609	Washer GB/T 93 8	34
9	00000944	Circlips GB/T 894.1-40	4
10	00005165	Screw GB/T 79 M10×20	8
11	10006578	Block	4
12	10006579	Washer	4
13	10017690	Roller	4
14	10005186	Clamp	1
15	00002029	Screw GB/T 70.1 M6×12	1
16	00001828	Water-proof joint M20	1
17	10017752	Side main rail 3	1
18	10015414	Main platform deck plate	1
19	00001996	Rivet GB/T 12618.4 4.8×12	93
20	10017747	Main deck weldment	1
21	10017750	Side main rail 1	1
22	10018899	Ring bracket	2
23	10018898	Ring	2
24	00000993	Bolt GB/T 5783 M8×25	4
25	10015413	Main platform deck plate	1
26	10017743	Circuit breaker bracket	1
27	00002268	Bolt GB/T 5783 M5×20	4
28	00000605	Washer GB/T 97.1 5	8
29	00000613	Nut GB/T 6182 M5	4

**301.1 Main Platform Assembly**

Item	Part No.	Description	Qty.
30	10024234	Hole plug	1
31	00008341	Load sensor amplifier	1
32	00000876	Screw GB/T 70.1 M6×16	4
33	00001063	Bolt GB/T 5783 M8×16	2
34	00000608	Washer GB/T 97.1 8	12
35	10017695	Rear rail 1	1
36	00000620	Washer GB/T 97.1 6	13
37	00000621	Washer GB/T 93 6	12
38	00000818	Bolt GB/T 5783 M6×16	12
39	10000302	Hinge B	1
40	10000299	Hinge A	1
41	10017727	Entry gate	1
42	00002604	Bolt GB/T 5783 M8×40	1
43	00001163	Nut GB/T 6182 M8	5
44	10011325	Latch handle	1
45	10017697	Rear rail 2	1
46	00002059	Bolt GB/T 5783 M12×30	16
47	00000815	Washer GB/T 93 12	16
48	00000623	Nut GB/T 6182 M10	8
49	00000615	Washer GB/T 97.1 10	16
50	10015411	Plate	4
51	00002411	Bolt GB/T 5783 M10×45	8

### 302.1 Platform Extension Assembly



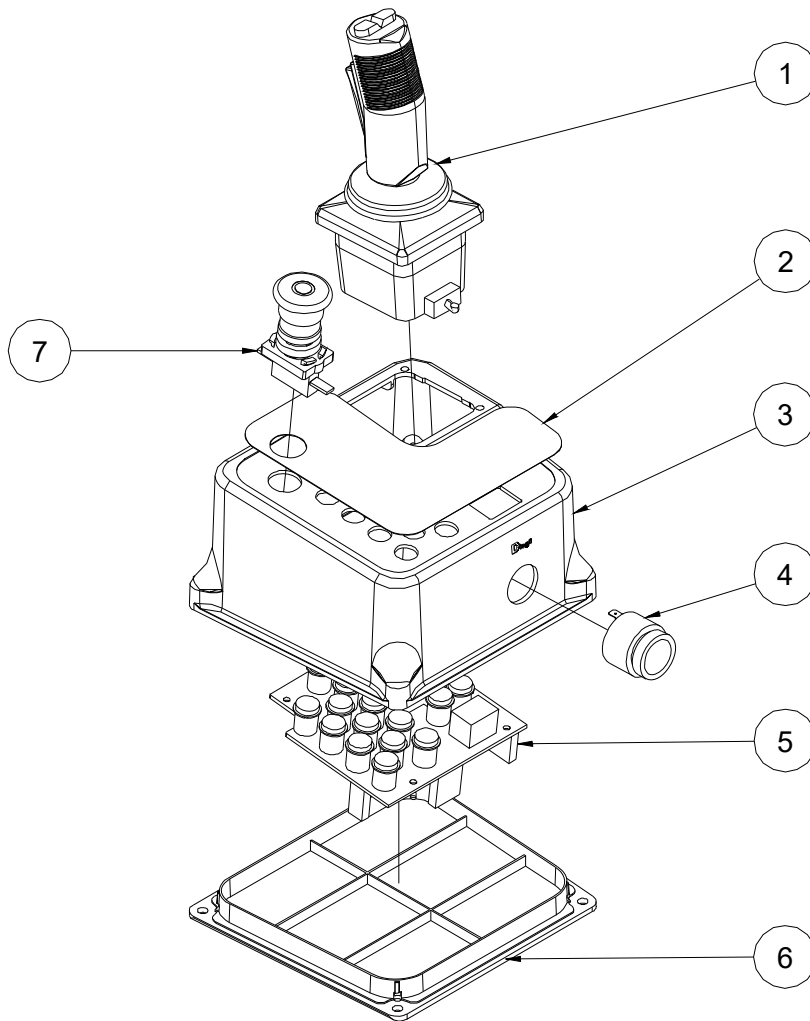
**302.1 Platform Extension Assembly**

Item	Part No.	Description	Qty.
1	10017576	Left extension rail	1
2	50000555	Manual box	1
3	10017568	Front rail	1
4	00002523	Screw GB/T 973 M5×16	4
5	00002573	Nut GB/T 6183.1 M5	4
6	00002411	Bolt GB/T 5783 M10×45	4
7	00000615	Washer GB/T 97.1 10	12
8	00000623	Nut GB/T 6182 M10	4
9	10015411	Plate	2
10		Platform control box assembly (refer to 303.1)	1
11	10011382	Platform control box mount bracket	1
12	00001986	Screw GB/T 818 M6×16 - H	4
13	10017573	Right extension rail	1
14	00000816	Bolt GB/T 5783 M12×25	4
15	00000815	Washer GB/T 93 12	4
16	00000814	Washer GB/T 97.1 12	20
17	10004174	Inserted pin	4
18	10017754	Lower extension rail	2
19	00004028	Bolt GB/T 5782 M12×70	8
20	00001249	Nut GB/T 6182 M12	8
21	10017557	Extension deck weldment	1
22	10015542	Platform extension deck plate	1
23	00001996	Rivet GB/T 12618.4 4.8×12	32
24	10016517	Roller	2
25	00001033	Nut GB/T 6182 M6	2
26	00000620	Washer GB/T 97.1 6	4
27	00006392	Screw GB/T 70.1 M6×60	2
28	00000678	Bolt GB/T 5783 M10×25	1
29	10011337	Cotter pin	1

**302.1 Platform Extension Assembly**

<b>Item</b>	<b>Part No.</b>	<b>Description</b>	<b>Qty.</b>
30	10011470	Lock handle weldment	1
31	10011469	Pin	1
32	10017678	Baffle plate	2
33	10011378	Spacer sleeve	4
34	10017677	Baffle plate	2
35	10017679	Limit plate	1
36	10000396	Lock pin	1
37	00005257	Bolt GB/T 5782 M10×65	4

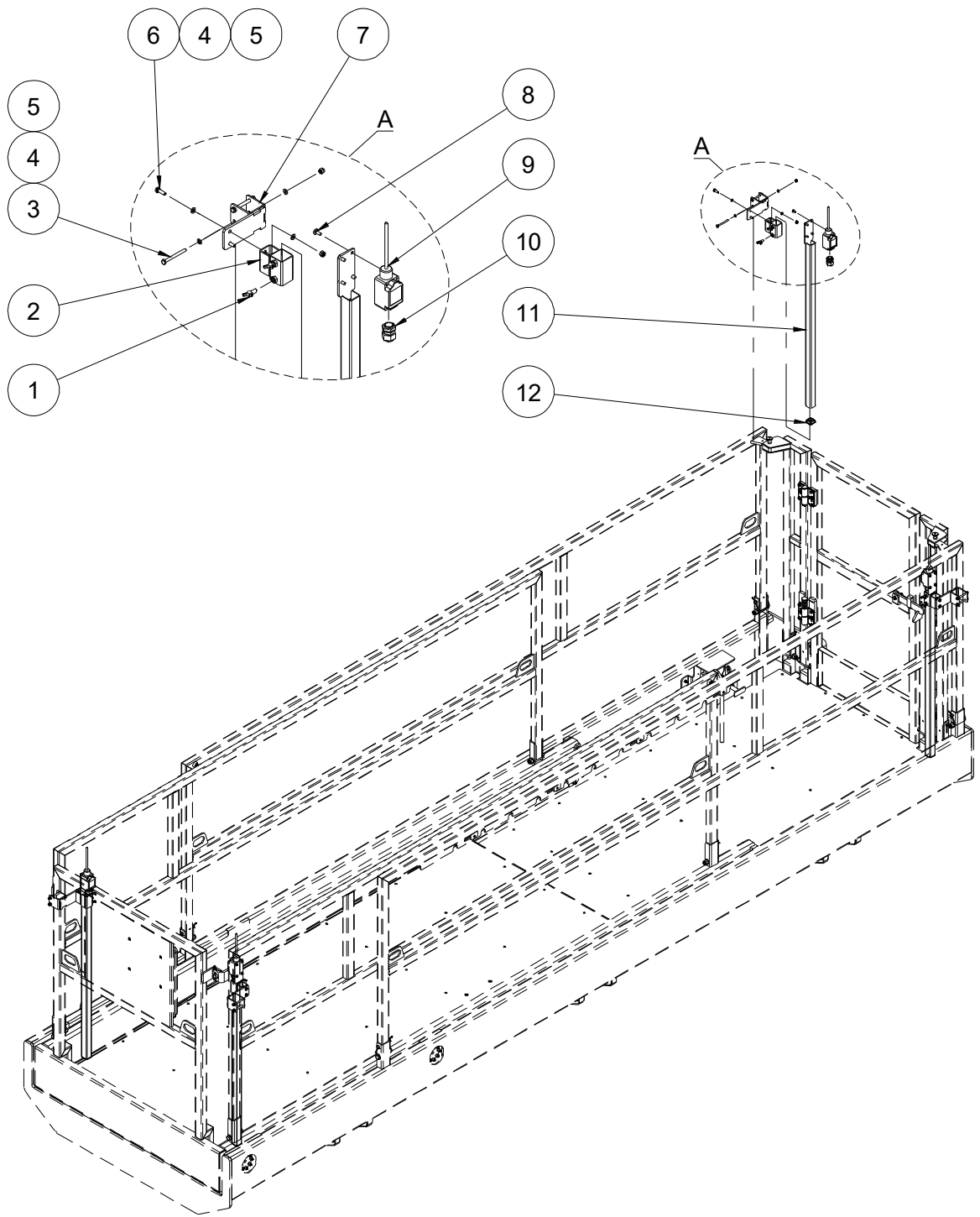
**303.1 Platform Control Box Assembly**



**303.1 Platform Control Box Assembly**

Item	Part No.	Description	Qty.
1	00004358	Joystick	1
2	09140047	Decal, Platform control panel	1
3	00004356	Enclosure	1
4	00000712	Alarm	1
5	00004357	Main board	1
6	00004355	Cover bottom	1
7	00000713	Emergency stop switch	1

### 304.1 Protective Device Assembly (Option)



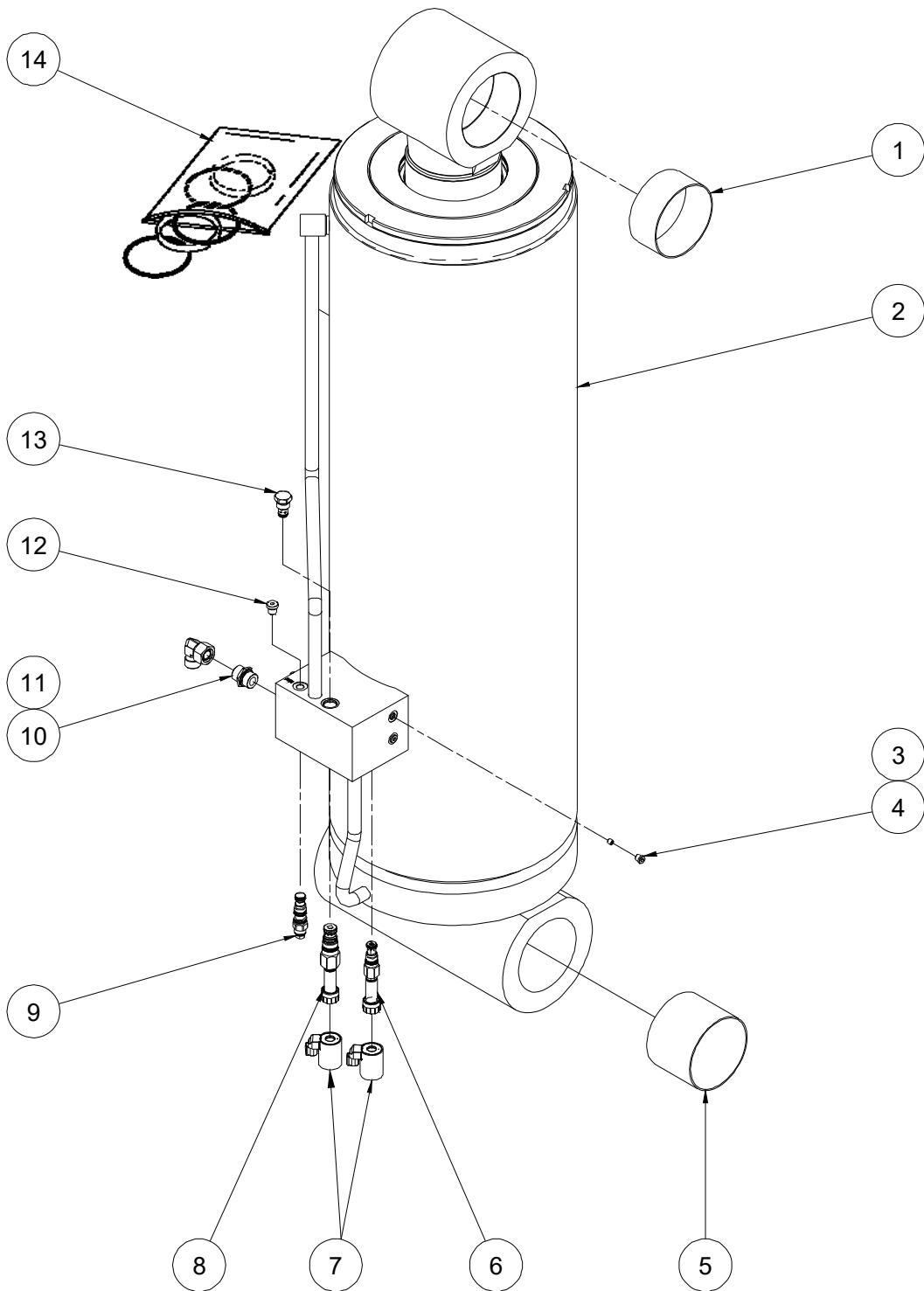
**304.1 Protective Device Assembly (Option)**

Item	Part No.	Description	Qty.
1	00002586	Screw M8×16	8
2	10021160	Bracket	4
3	00002335	Bolt GB/T 5782 M6×60	8
4	00000620	Washer GB/T 97.1 6	32
5	00001033	Nut GB/T 6182 M6	16
6	00000743	Bolt GB/T 5783 M6×20	8
7	10020975	Bracket	4
8	00001060	Screw GB/T 818 M6×12 - H	16
9	00002606	Limit switch	4
10	00005080	Water-proof joint M20	4
11	10001704	Switch rod	4
12	10003413	Plug	4



# Section 4 Hydraulic System

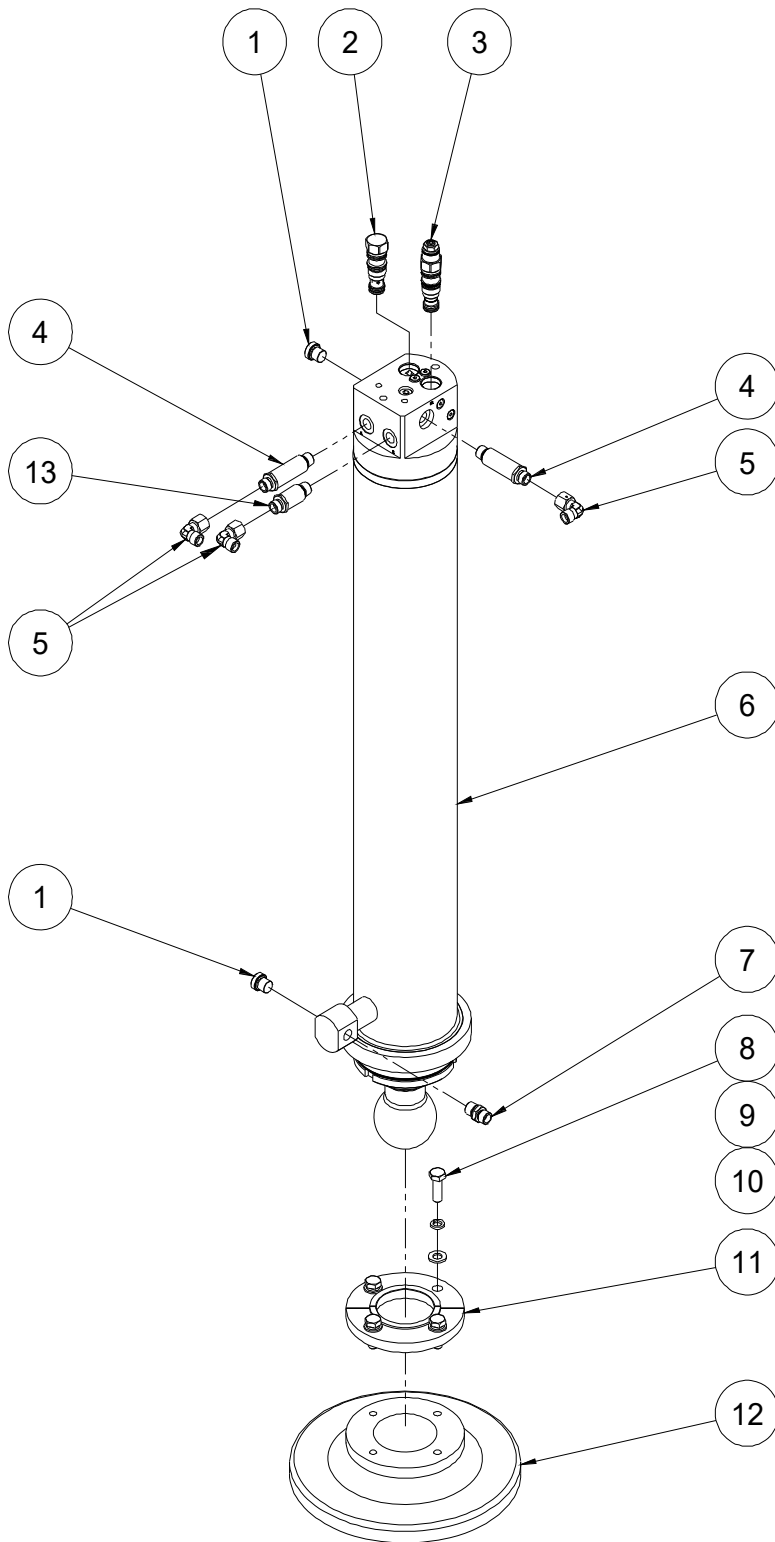
### 401.1 Lift Cylinder Assembly



**401.1 Lift Cylinder Assembly**

Item	Part No.	Description	Qty.
1	00007873	8812-11011560A Bearing	2
2	10017996	Lift cylinder	1
3	00008613	Orifice M8_Φ3.0	1
4	00002998	Plug SAE4	3
5	00007850	8812-130135100A Bearing	2
6	00007901	Solenoid valve spool (A)	1
7	00004592	Coil	2
8	00007902	Proportional valve (D)	1
9	00004587	Counterbalance valve spool	1
10	00008469	Straight fitting	2
11	00006447	Elbow	2
12	00001073	Plug VST114×1.5ED	1
13	00007840	Check valve	1
14	00008781	Seal kit	1

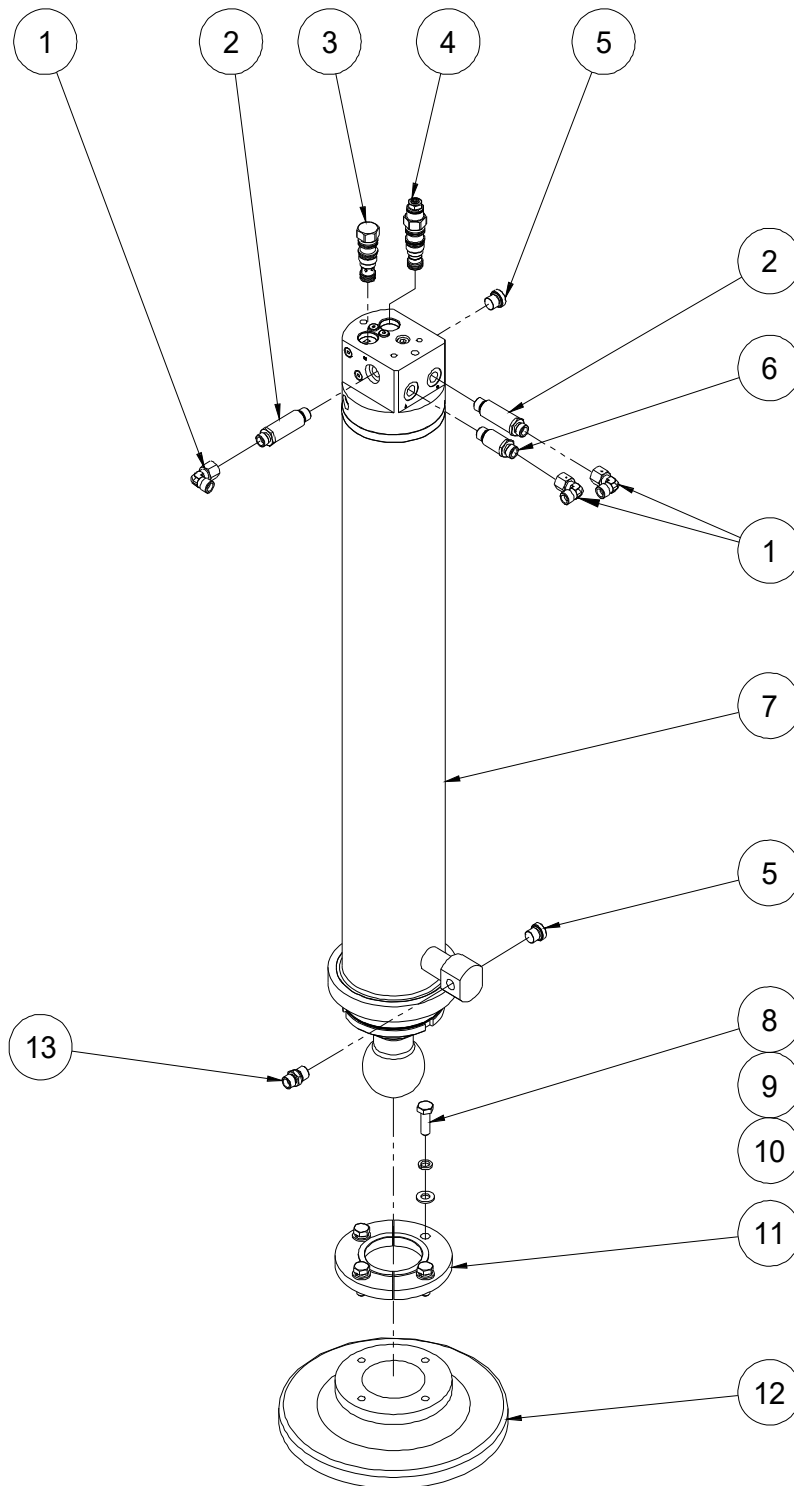
### 402.1 Left Outrigger Cylinder Assembly



**402.1 Left Outrigger Cylinder Assembly**

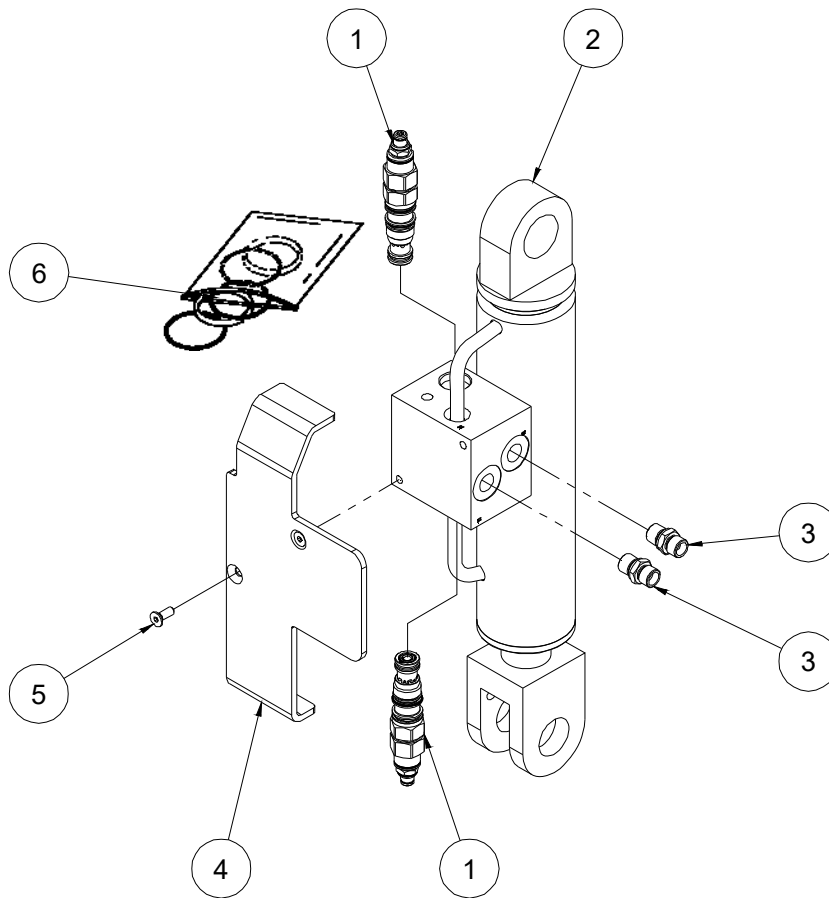
Item	Part No.	Description	Qty.
1	00001073	Plug VST114×1.5ED	2
2	00009693	Pilot-operated check valve (CK1, CK2, CK3, CK4)	1
3	00009755	Counterbalance valve spool (CB1, CB2, CB3, CB4)	1
4	00009827	Straight fitting	2
5	00001832	Elbow	3
6	10022650	Outrigger cylinder	1
--	00009694	Seal kit	1
6	10025173	Outrigger cylinder	1
--	00010865	Seal kit	1
7	00001282	Straight fitting	1
8	00000683	Bolt GB/T 5783 M10×30	4
9	00000679	Washer GB/T 93 10	4
10	00000615	Washer GB/T 97.1 10	4
11	10011095	Retainer	1
12	10011094	Outrigger footpad	1
13	00003758	Elbow	1

### 403.1 Right Outrigger Cylinder Assembly



**403.1 Right Outrigger Cylinder Assembly**

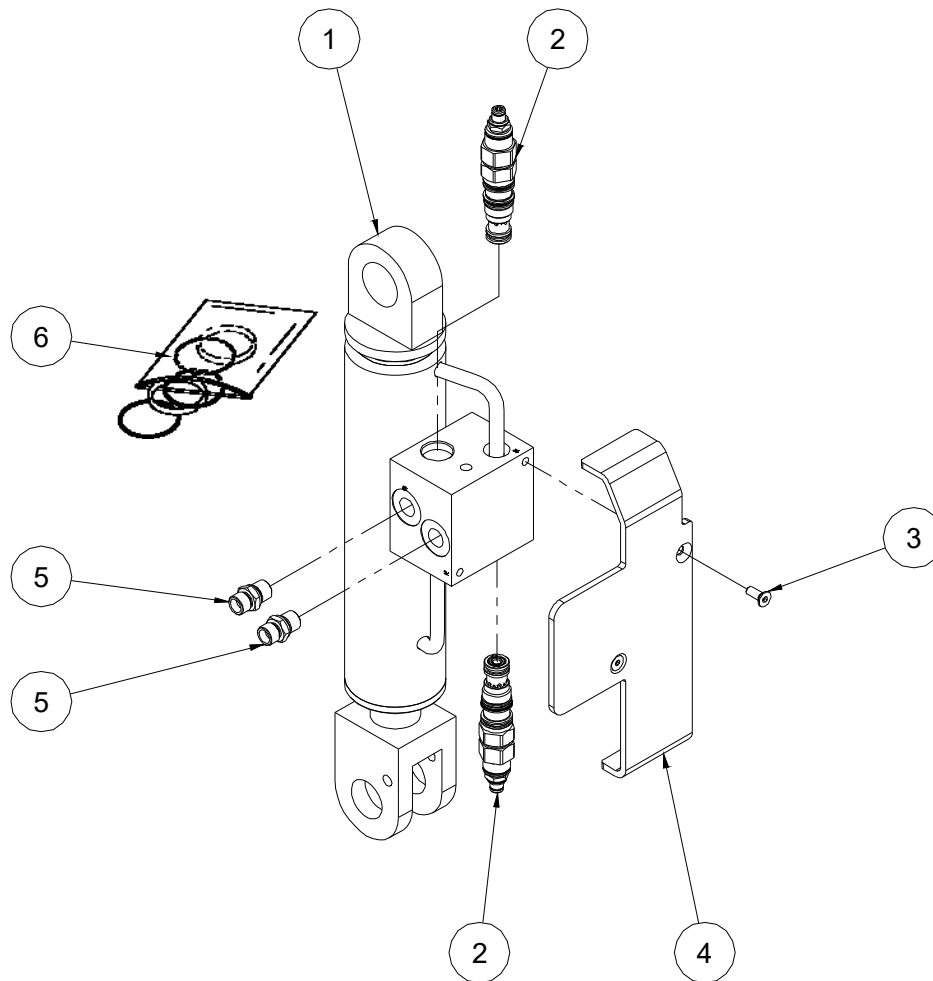
Item	Part No.	Description	Qty.
1	00001832	Elbow	3
2	00009827	Straight fitting	2
3	00009693	Pilot-operated check valve (CK1, CK2, CK3, CK4)	1
4	00009755	Counterbalance valve spool (CB1, CB2, CB3, CB4)	1
5	00001073	Plug VST114×1.5ED	2
6	00003758	Straight fitting	2
7	10022650	Outrigger cylinder	1
--	00009694	Seal kit	1
7	10025173	Outrigger cylinder	1
--	00010865	Seal kit	1
8	00000683	Bolt GB/T 5783 M10×30	4
9	00000679	Washer GB/T 93 10	4
10	00000615	Washer GB/T 97.1 10	4
11	10011095	Retainer	1
12	10011094	Outrigger footpad	1
13	00001282	Straight fitting	1

**404.1 Left Pothole Protection Cylinder Assembly****404.1 Left Pothole Protection Cylinder Assembly**

Item	Part No.	Description	Qty.
1	00003373	Counterbalance valve spool	2
2	10015518	Left pothole protection cylinder	1
3	00001282	Straight fitting	2
4	10011572	Protect cover	1
5	00000830	Screw GB/T 70.3 M6×16	2
6	00008577	Seal kit	1



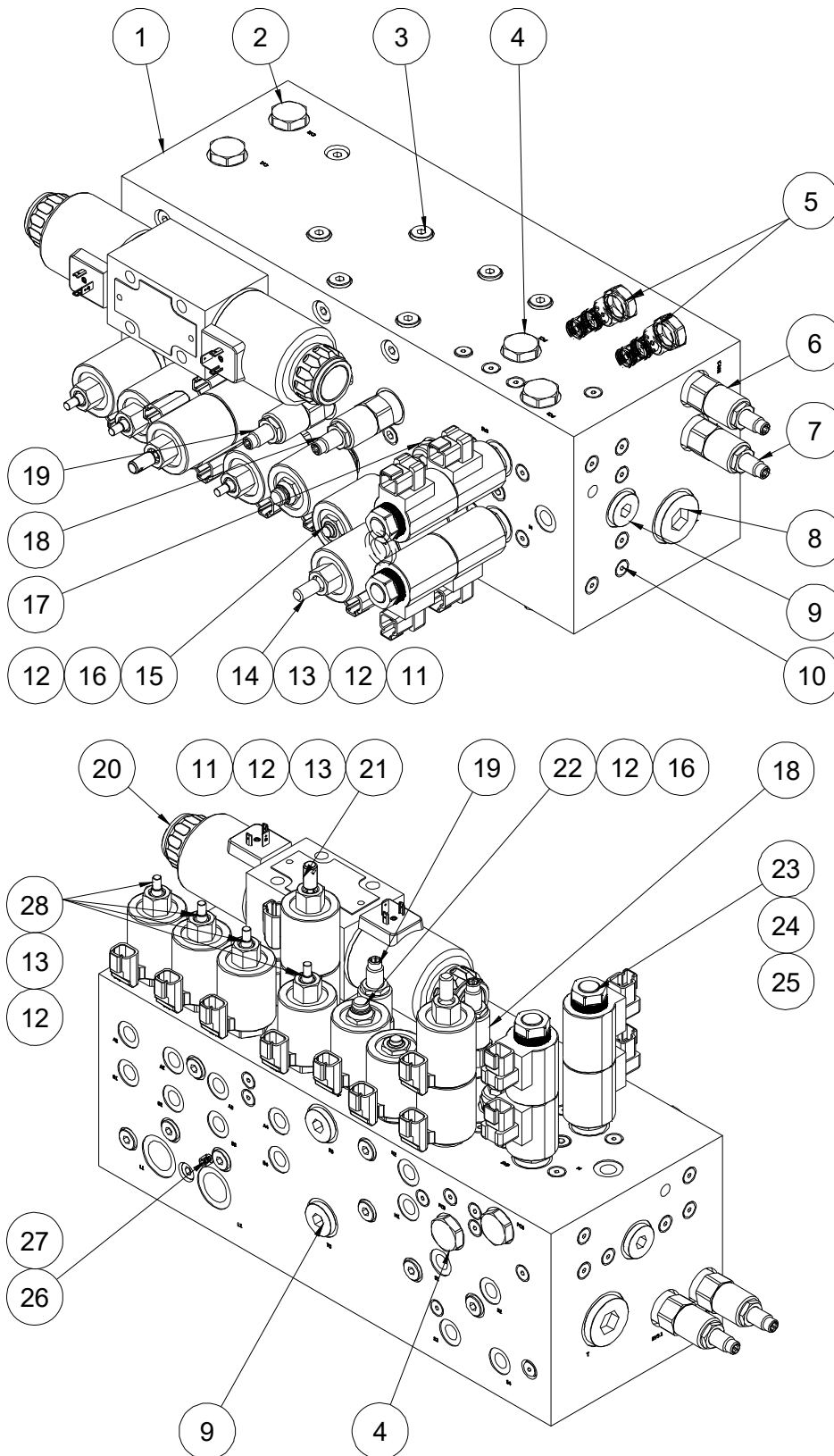
**405.1 Right Pothole Protection Cylinder Assembly**



**405.1 Right Pothole Protection Cylinder Assembly**

Item	Part No.	Description	Qty.
1	10015901	Right pothole protection cylinder	1
2	00003373	Counterbalance valve spool	2
3	00000830	Screw GB/T 70.3 M6×16	2
4	10011573	Protect cover	1
5	00001282	Straight fitting	2
6	00008577	Seal kit	1

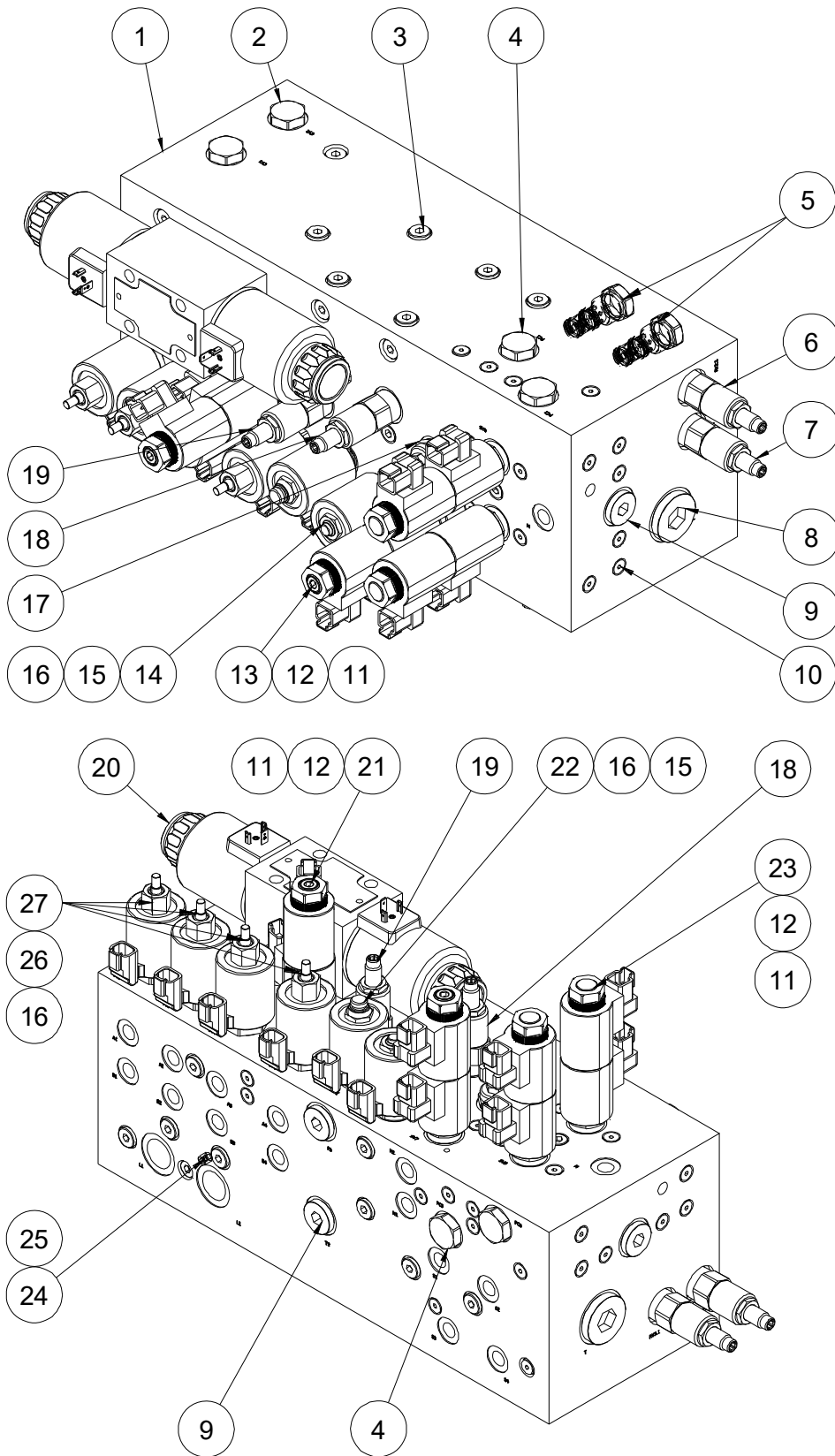
406.1 Function Manifold



**406.1 Function Manifold**

Item	Part No.	Description	Qty.
1	00007807	Valve body	1
2	00008830	Check valve (CV1, CV2, CV3)	3
3	00003361	Plug SAE6	21
4	00007143	Pilot-operated check valve (PC1, PC2, PC3, PC4)	4
5	00003921	Shuttle valve (LS1, LS2)	2
6	00007826	Relief valve (RV3.2)	1
7	00007825	Relief valve (RV3.1)	1
8	00001080	Plug VSTI33×2ED	1
9	00001077	Plug VSTI22×1.5ED	4
10	00002997	Plug SAE3	30
11	00006735	Washer	2
12	00006733	Coil	10
13	00004371	Nut	6
14	00007242	Solenoid valve spool (SV7)	1
15	00007239	Solenoid valve spool (SV10)	1
16	00003017	Nut	2
17	00007158	Flow control valve (FC1)	1
18	00007240	Relief valve (RV2)	1
19	00007149	Relief valve (RV1)	1
20	00007241	Solenoid valve (SV6)	1
21	00007147	Solenoid valve spool (SV1)	1
22	00004548	Solenoid valve spool (SV11)	1
23	00004307	Proportional valve (SV8, SV9)	2
24	00003353	Nut	2
25	00003319	Coil	4
26	00008911	Orifice M8×1_Φ4.0	1
27	00002998	Plug SAE4	5
28	00007148	Solenoid valve spool (SV2, SV3, SV4, SV5)	4
	00009652	Solenoid valve spool (SV2, SV3, SV4, SV5)	4

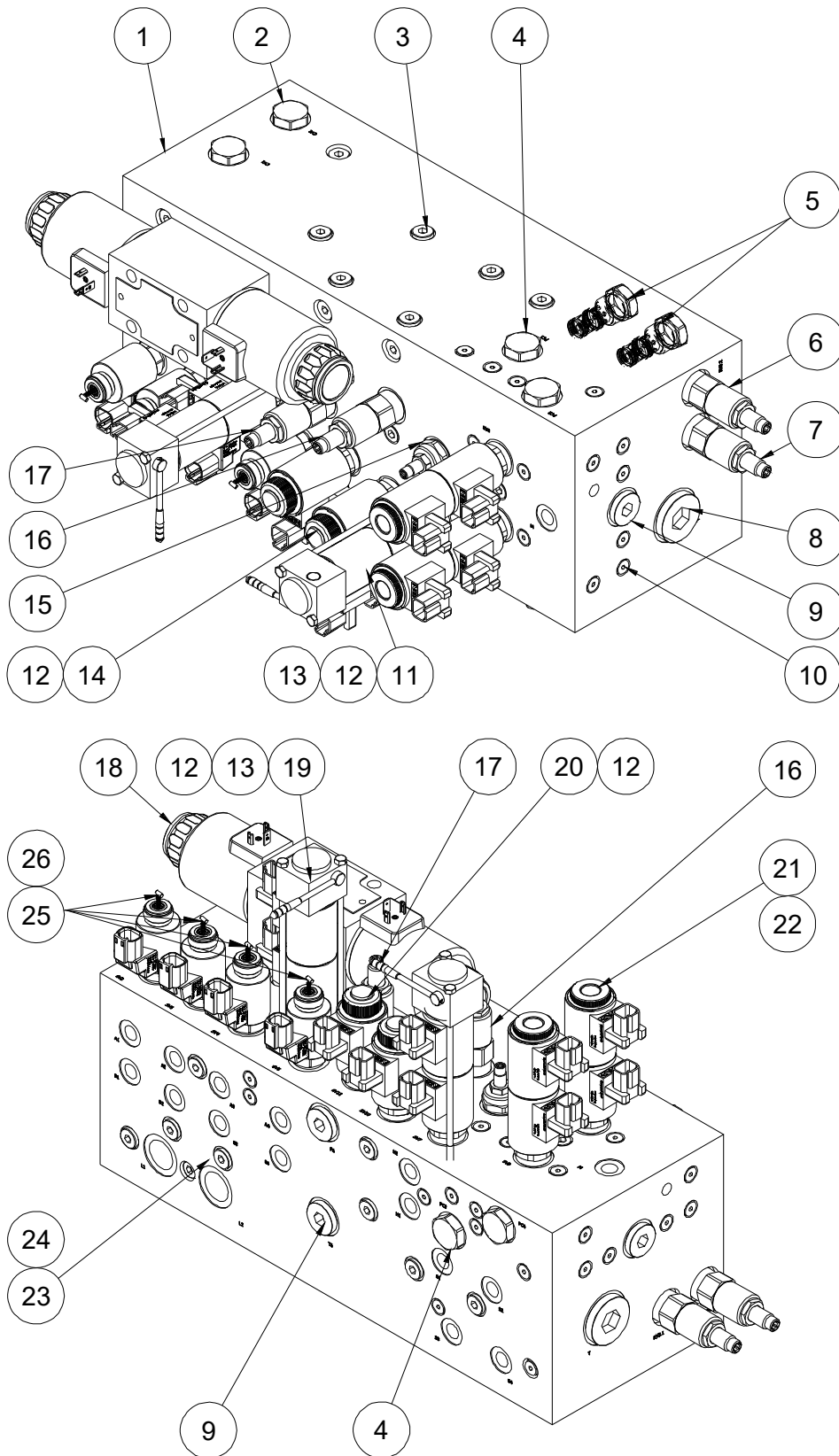
**406.2 Function Manifold**



**406.2 Function Manifold**

Item	Part No.	Description	Qty.
1	00007807	Valve body	1
2	00008830	Check valve (CV1, CV2, CV3)	3
3	00003361	Plug SAE6	21
4	00007143	Pilot-operated check valve (PC1, PC2, PC3, PC4)	4
5	00003921	Shuttle valve (LS1, LS2)	2
6	00007826	Relief valve (RV3.2)	1
7	00007825	Relief valve (RV3.1)	1
8	00001080	Plug VSTI33×2ED	1
9	00001077	Plug VSTI22×1.5ED	4
10	00002997	Plug SAE3	30
11	00003319	Coil	8
12	00003353	Nut	4
13	00003679	Solenoid valve spool (SV7)	1
14	00007239	Solenoid valve spool (SV10)	1
15	00003017	Nut	2
16	00006733	Coil	6
17	00007158	Flow control valve (FC1)	1
18	00007240	Relief valve (RV2)	1
19	00007149	Relief valve (RV1)	1
20	00007241	Solenoid valve (SV6)	1
21	00003303	Solenoid valve spool (SV1)	1
22	00004548	Solenoid valve spool (SV11)	1
23	00004307	Proportional valve (SV8, SV9)	2
24	00008911	Orifice M8×1_Φ4.0	1
25	00002998	Plug SAE4	5
26	00004371	Nut	4
27	00007148	Solenoid valve spool (SV2, SV3, SV4, SV5)	4
	00009652	Solenoid valve spool (SV2, SV3, SV4, SV5)	4

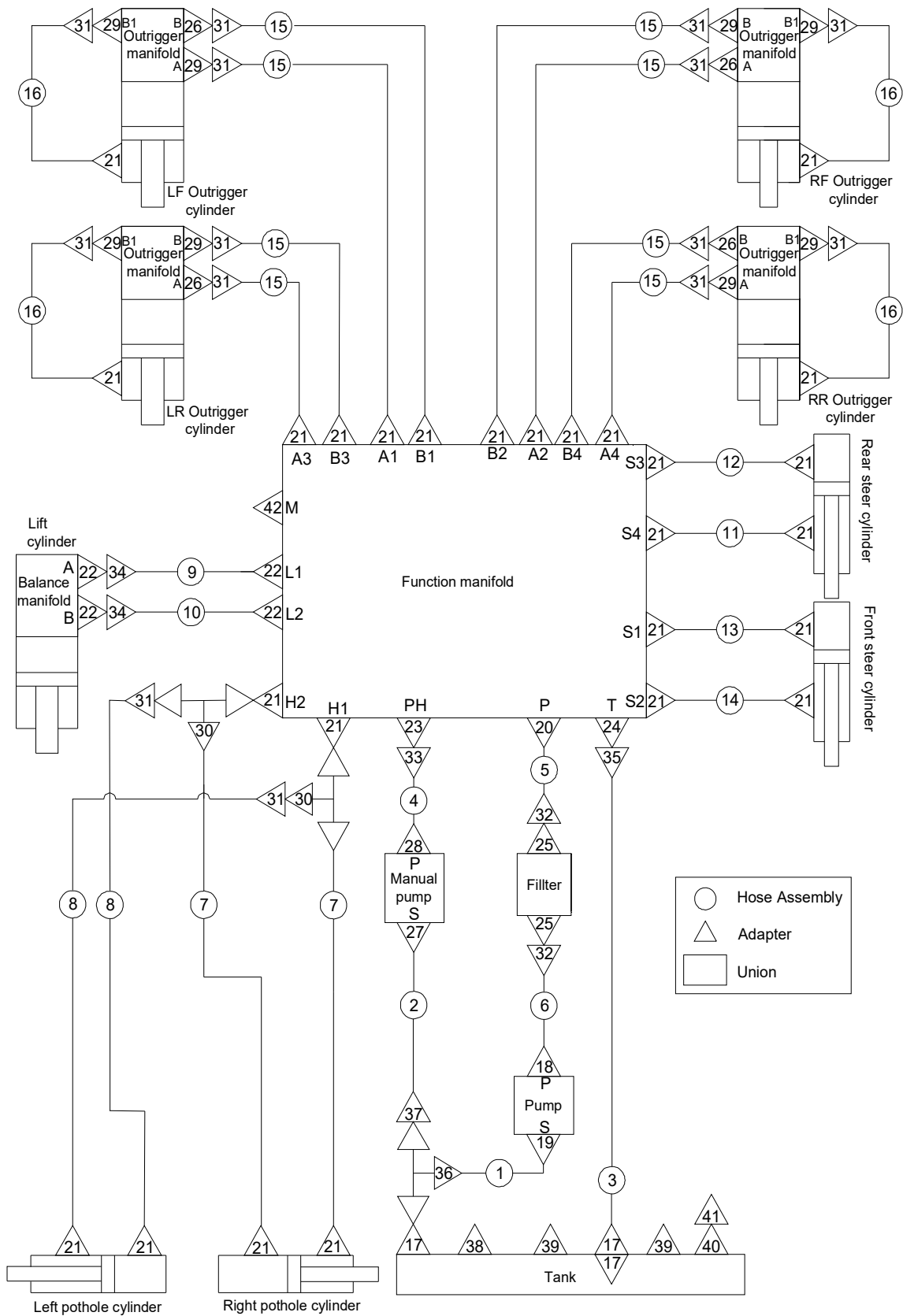
**406.3 Function Manifold**



**406.3 Function Manifold**

Item	Part No.	Description	Qty.
1	00007807	Valve body	1
2	00009541	Check valve (CV1, CV2, CV3)	3
3	00003361	Plug SAE6	21
4	00007143	Pilot-operated check valve (PC1, PC2, PC3, PC4)	4
5	00003921	Shuttle valve (LS1, LS2)	2
6	00007826	Relief valve (RV3.2)	1
7	00007825	Relief valve (RV3.1)	1
8	00001080	Plug VSTI33×2ED	1
9	00001077	Plug VSTI22×1.5ED	4
10	00002997	Plug SAE3	30
11	00009542	Solenoid valve spool (SV7)	1
12	00009528	Coil	6
13	00009526	Manual Handle	2
14	00009531	Solenoid valve spool (SV10)	1
15	00009546	Flow control valve (FC1)	1
16	00007240	Relief valve (RV2)	1
17	00007149	Relief valve (RV1)	1
18	00007241	Solenoid valve (SV6)	1
19	00009529	Solenoid valve spool (SV1)	1
20	00009543	Solenoid valve spool (SV11)	1
21	00009544	Proportional valve (SV8, SV9)	2
22	00009545	Coil	4
23	00008911	Orifice M8×1_Φ4.0	1
24	00002998	Plug SAE4	5
25	00009530	Solenoid valve spool (SV2, SV3, SV4, SV5)	4
26	00009527	Coil	4

### 407.1 Hydraulic Hoses and Fittings





**407.1 Hydraulic Hoses and Fittings**

Item	Part No.	Description	Qty.
1	00008085	Hose assembly	1
2	00008615	Hose assembly	1
3	00009481	Hose assembly	1
4	00007907	Hose assembly	1
5	00010026	Hose assembly	1
6	00008616	Hose assembly	1
7	00008614	Hose assembly	2
8	00003642	Hose assembly	2
9	00008520	Hose assembly	1
10	00008521	Hose assembly	1
11	00007084	Hose assembly	1
12	00006352	Hose assembly	1
13	00008522	Hose assembly	1
14	00004178	Hose assembly	1
15	00005025	Hose assembly	8
16	00007915	Hose assembly	4
17	00003964	Straight fitting	3
18	00006180	Flange adapter	1
19	00008473	Flange adapter	1
20	00004466	Straight fitting	1
21	00001282	Straight fitting	26
22	00008469	Straight fitting	4
23	00006556	Straight fitting	1
24	00002071	Straight fitting	1
25	00003963	Straight fitting	2
26	00003758	Straight fitting	4
27	00001506	Straight fitting	1
28	00001507	Straight fitting	1
29	00009827	Straight fitting	8

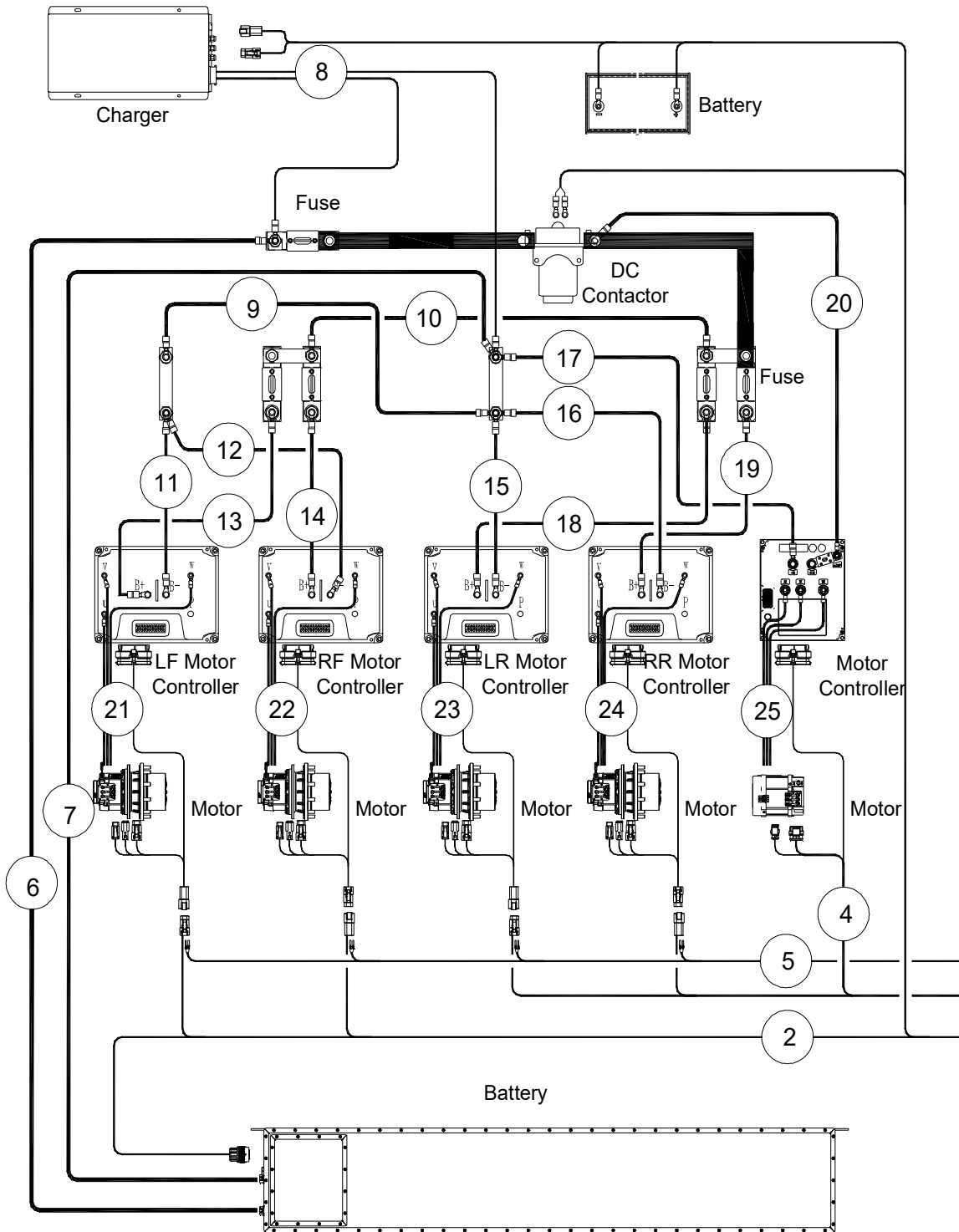
**407.1 Hydraulic Hoses and Fittings**

Item	Part No.	Description	Qty.
30	00001237	Tee fitting	2
31	00001832	Elbow	14
32	00001842	Elbow	2
33	00001835	Elbow	1
34	00006447	Elbow	2
35	00001837	Elbow	1
36	00001242	Tee fitting	1
37	00003844	Straight fitting	1
38	00001076	Plug VST120×1.5ED	1
39	00001075	Plug VST118×1.5ED	2
40	50000523	Washer	1
41	50000197	G3/4 Plug	1
42	00001073	Plug VST114×1.5ED	1

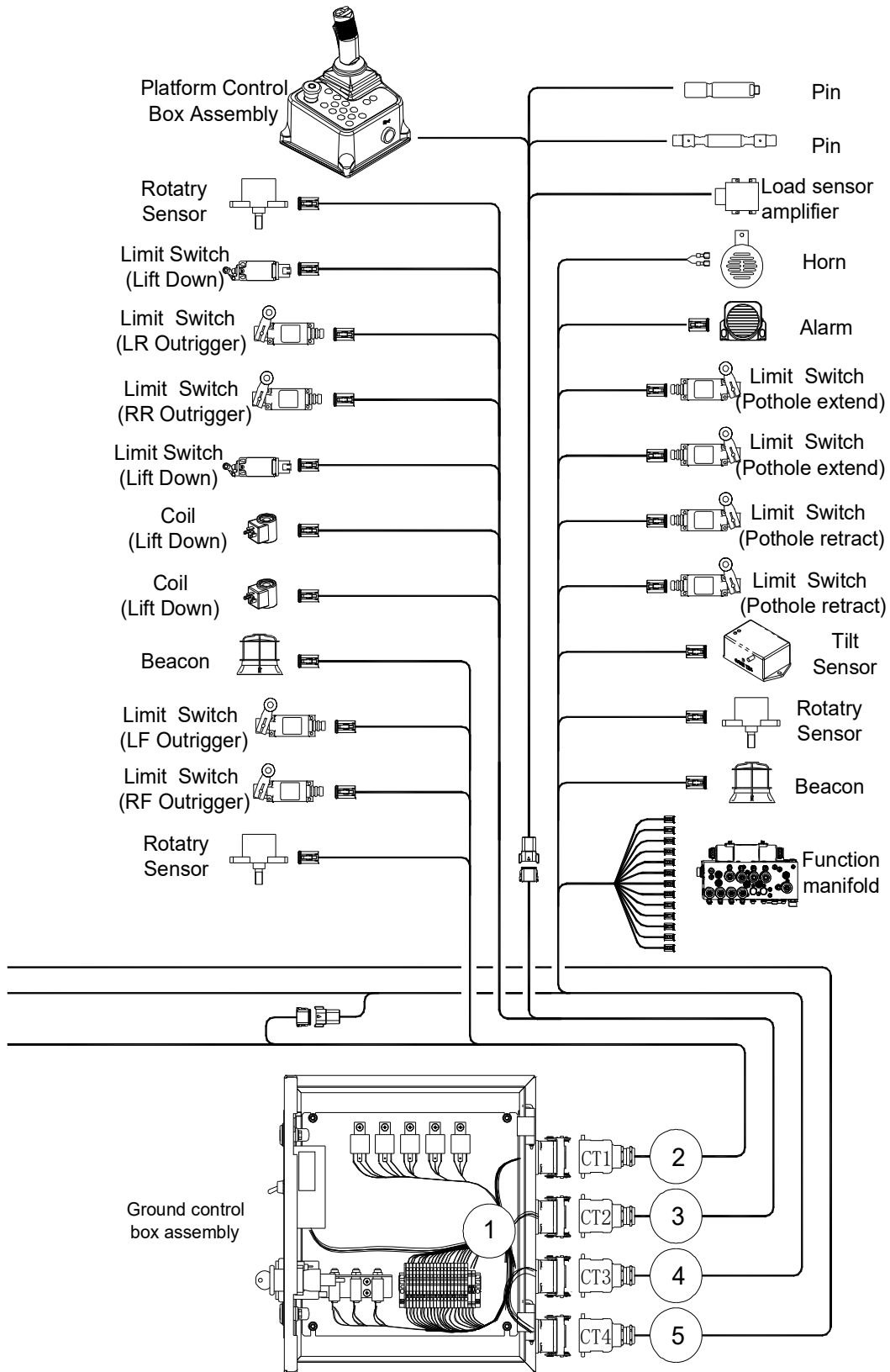
# **Section 5**

# **Electrical System**

### 501.1 Electrical Harness



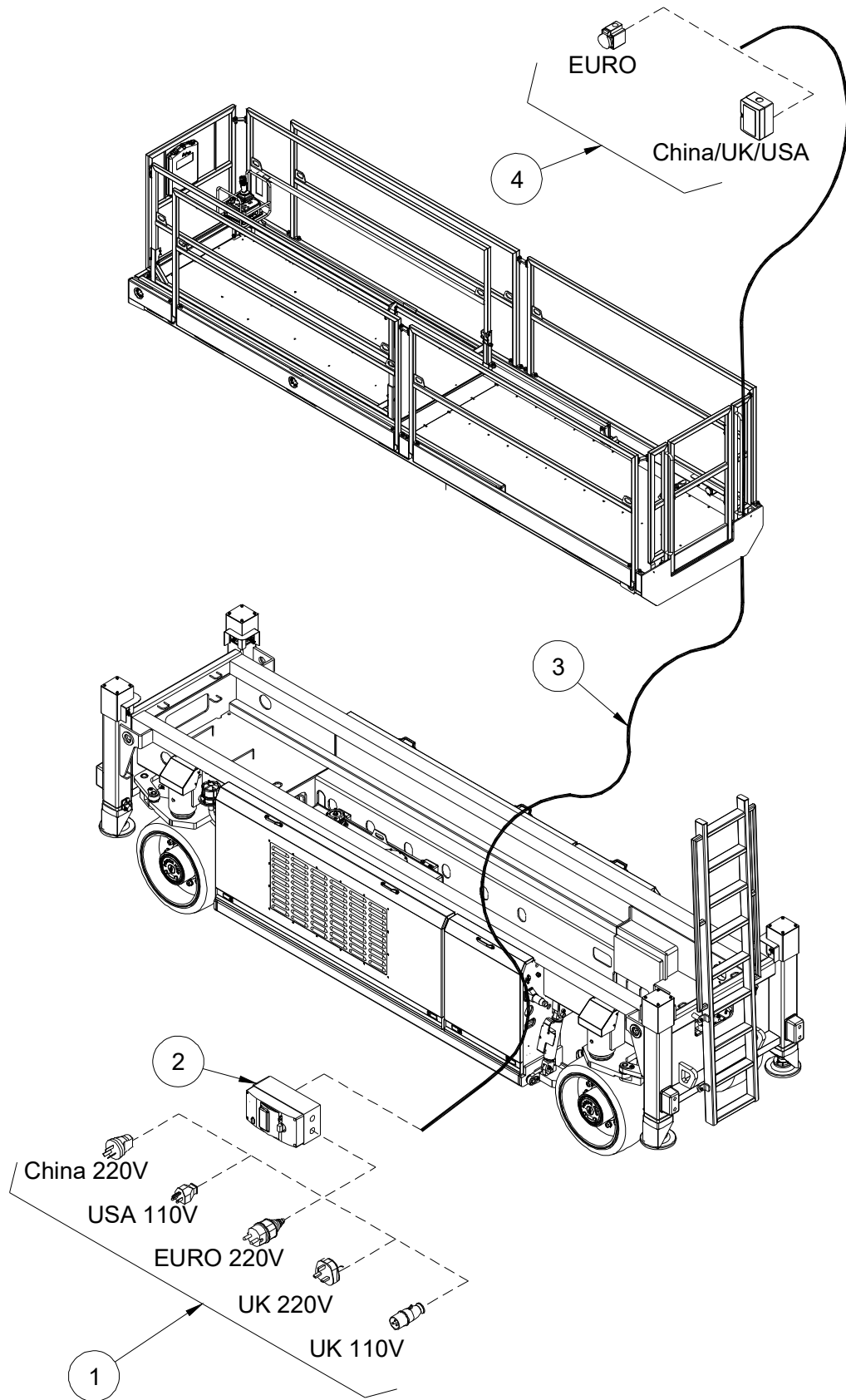
### 501.1 Electrical Harness



**501.1 Electrical Harness**

Item	Part No.	Description	Qty.
1	00008455	Ground control box harness	1
2	00008523	CT1 harness	1
3	00008524	CT2 harness	1
4	00008525	CT3 harness	1
5	00008526	CT4 harness	1
6	00008531	Battery positive harness	1
7	00008532	Battery negative harness	1
8	00008548	Battery charger harness	1
9	00008544	negative copper bar harness	1
10	00008533	Fuse harness	1
11	00008535	Motor controller negative harness 1	1
12	00008537	Motor controller negative harness 2	1
13	00008534	Motor controller positive harness 1	1
14	00008536	Motor controller positive harness 2	1
15	00008539	Motor controller negative harness 3	1
16	00008541	Motor controller negative harness 4	1
17	00008543	Pump controller negative harness	1
18	00008538	Motor controller positive harness 3	1
19	00008540	Motor controller positive harness 4	1
20	00008542	Pump r controller positive harness	1
21	00008527	Drive motor harness 1	1
22	00008528	Drive motor harness 2	1
23	00008529	Drive motor harness 3	1
24	00008530	Drive motor harness 4	1
25	00008545	Pump motor harness	1

502.1 Power to Platform



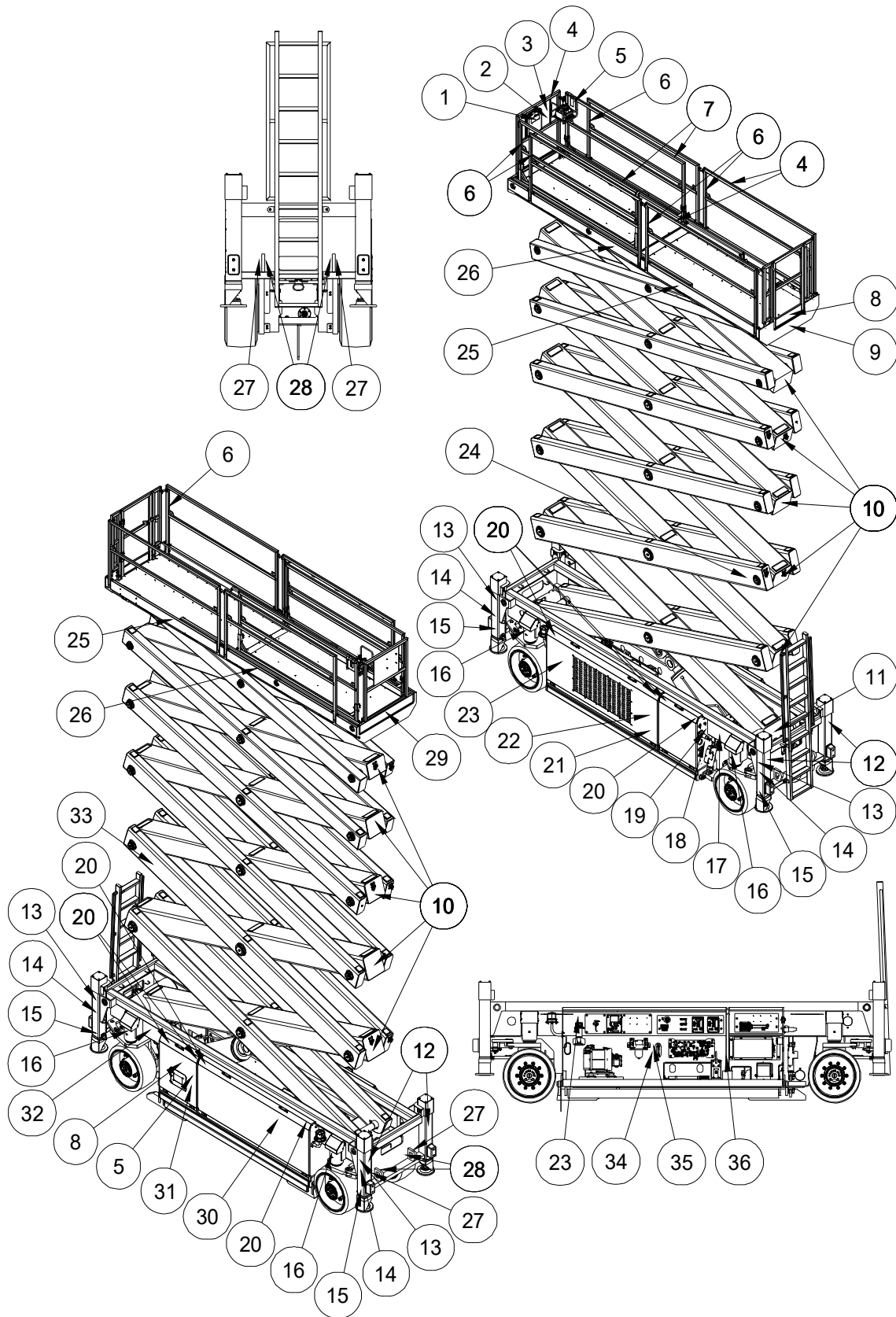
**502.1 Power to Platform**

Item	Part No.	Description	Qty.
1	00003148	AC plug (China 220V)	1
	00003149	AC plug (USA 110V)	1
	00003151	AC plug (European 220V)	1
	00003150	AC plug (UK 220V)	1
	00002615	AC plug (UK 110V)	1
2	00002634	Circuit breaker (Option)	1
3	00008784	Wire cable, platform AC power	1
4	00002709	AC socket (European)	1
	00000668	AC socket (China/UK/USA)	1



# Section 6 Decal

601.1 Decals with Words



**601.1 Decals with Words**

Item	Part No.	Description	Qty.
1	09340001	Decal, Notice-Keep the manual with the machine	1
2	09440119	Decal, Danger-Tip-over hazard, tilt-alarm	1
3	09440001	Decal, Danger-General safety rules	1
4	09340070	Decal, Symbols-Non operating hand position	3
5	09340003	Decal, Instructions-Refer the operator to the instructions for use	2
6	09440011	Decal, Label-Lanyard anchorage point	10
7	09440212	Decal, Warning-Crushing hazard	2
8	09410149	Decal, Symbols-Tip-over hazard, use outrigger	2
9	09440362	Decal, Label-Capacity 750kg	1
10	09430007	Decal, Symbols-Crushing hazard	10
11	09410005	Decal, Danger-Do not alter or disable limit switch	1
12	09420005	Decal, Warning-Collision hazard	4
13	09410069	Decal, Warning-Crushing hazard, outrigger	4
14	09410157	Decal, Symbols-Outrigger using warning	4
15	09310452	Decal, Instructions-Maximum outrigger load 7460kg	4
16	09310450	Decal, Instructions-Maximum wheel load 7460kg	4
17	09310426	Decal, Instructions-Grease filling port	1
18	09310217	Decal, Instructions-Power to platform	1
19	09310219	Decal, Instructions-Battery charger	1
20	09410148	Decal, Symbols-Crushing hazard	8
21	09310148	Decal, Instructions-Emergency	1
22	09410071	Decal, Warning-Injection hazard	1
23	09310054	Decal, Instructions-Hydraulic	2
24	09330026	Decal, Instructions-Grease filling port	1
25	09440007	Decal, Caution-Max. manual force 400N	2
26	09640188	Decal, Cosmetic-JCPT2814DC	2
27	09310050	Decal, Instructions-Tie down point	4
28	09310049	Decal, Instructions-Lift point	4

**601.1 Decals with Words**

<b>Item</b>	<b>Part No.</b>	<b>Description</b>	<b>Qty.</b>
29	09540001	Decal, Label-CE	1
30	09410001	Decal, Danger-Explosion/burn hazard	2
31	09410003	Decal, Warning-Inspected and operation properly	2
32	09310424	Decal, Instructions-Grease filling port	1
33	09330028	Decal, Instructions-Grease filling port	1
34	09310053	Decal, Instructions-Lowest oil level	1
35	09310052	Decal, Instructions-Highest oil level	1
36	09310428	Decal, Symbols-Emergency operating instructions	1
	09310524	Decal, Symbols-Emergency operating instructions	1

601.1 Decals with Words

① 09340001

② 09440119

③ 09440001

Voltage	Minimum Safe Approach Distance
Phase voltage	Avoid Contact
120 V ac 50/60 Hz	3.81 m
240 V ac 50/60 Hz	4.88 m
380 V ac 50/60 Hz	6.12 m
480 V ac 50/60 Hz	7.62 m
600 V ac 50/60 Hz	10.42 m
720 V ac 50/60 Hz	13.72 m

④ 09340070

⑫ 09420005

⑬ 09410069

⑤ 09340003

⑥ 09440011

⑩ 09430007

⑧ 09410149

⑪ 09410005

⑨ 09440362

⑭ 09410157

⑮ 09310452

⑯ 09310450

⑰ 09310426

⑱ 09310217

⑲ 09310219

⑳ 09410148

㉑ 09310148

㉒ 09410071



601.1 Decals with Words

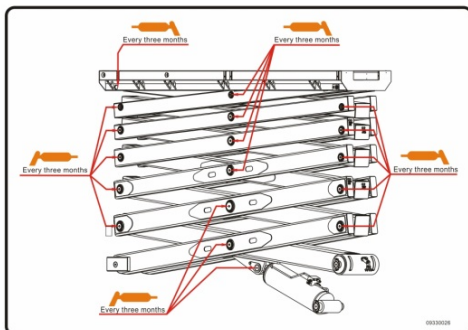
26 09640188

# JCPT2814DC

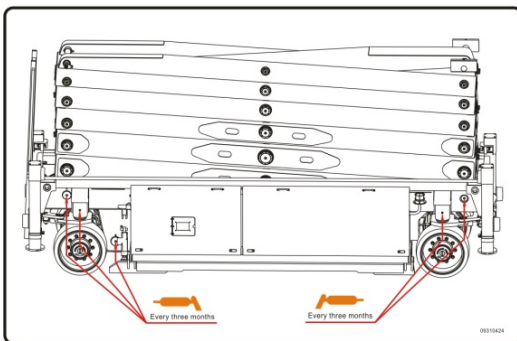
23 09310054

**HYDRAULIC**

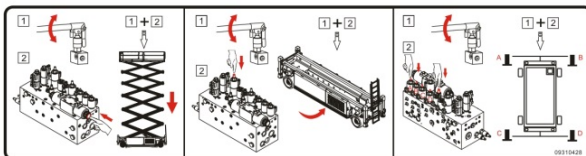
24 09330026



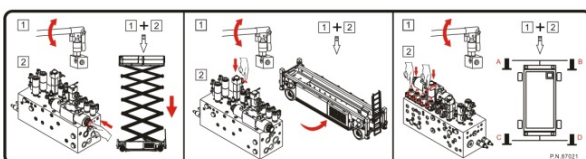
32 09310424



36 09310428



36 09310524



25 09440007



29 09540001



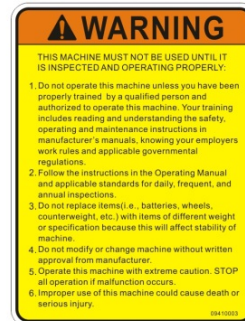
30 09410001



27 09310050



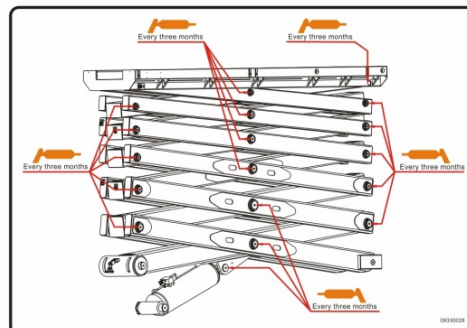
31 09410003



28 09310049



33 09330028



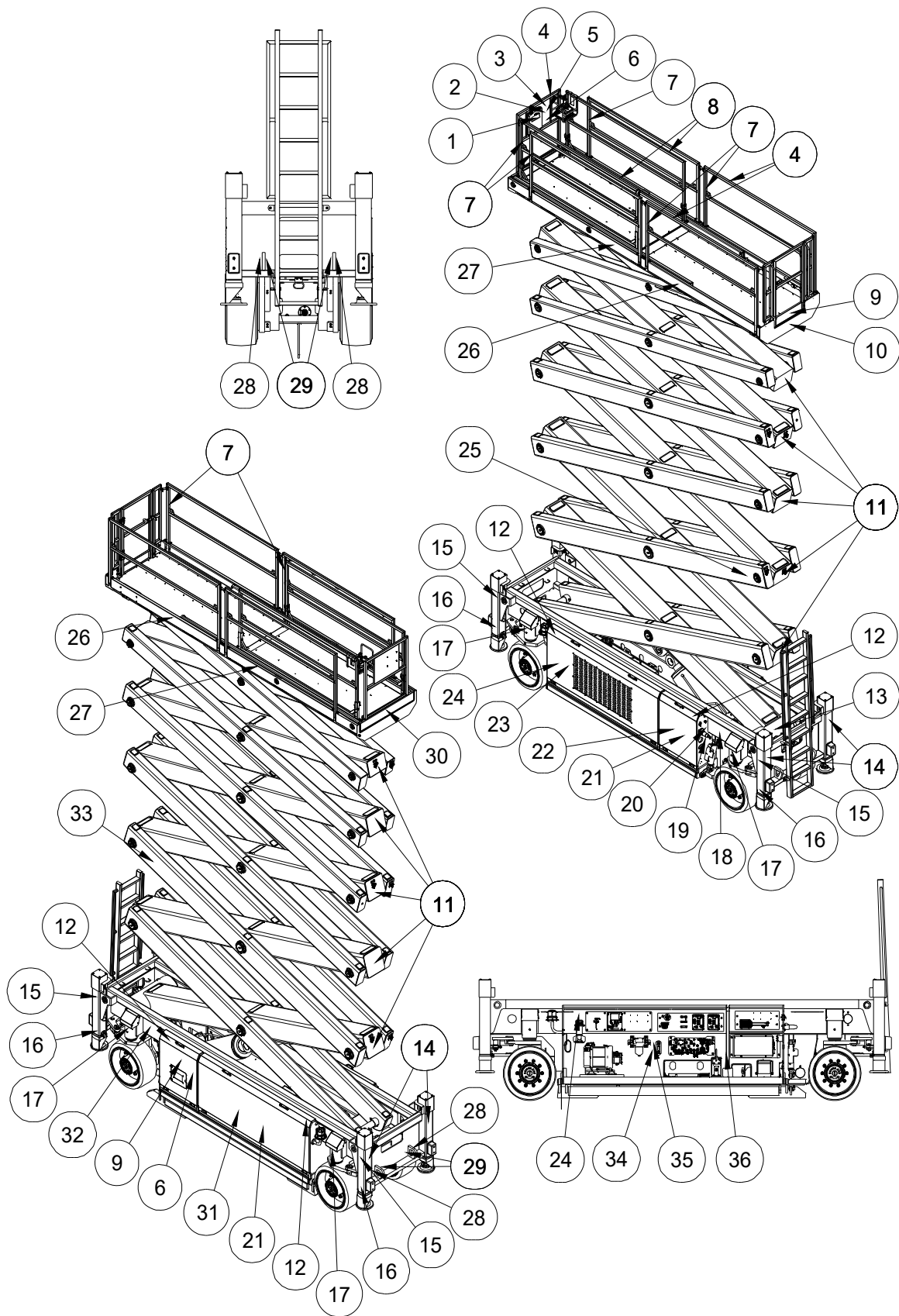
34 09310053



35 09310052



### 602.1 Decals with Symbols



**602.1 Decals with Symbols**

Item	Part No.	Description	Qty.
1	09340026	Decal, Symbols-Refer the operator to the instructions for use	2
2	09440094	Decal, Symbols-Tip-over hazard, outrigger	1
3	09340028	Decal, Instructions-Directional arrows	1
4	09340070	Decal, Symbols-Non operating hand position	3
5	09440090	Decal, Symbols-Tip-over hazard, tilt-alarm	1
6	09440091	Decal, Symbols-General safety rules	1
7	09440089	Decal, Label-Lanyard anchorage point	10
8	09440212	Decal, Warning-Crushing hazard	2
9	09410149	Decal, Symbols-Tip-over hazard, use outrigger	2
10	09440362	Decal, Label-Capacity 750kg	1
11	09430016	Decal, Symbols-Crushing hazard	10
12	09410146	Decal, Symbols-Crushing hazard	8
13	09410051	Decal, Symbols-Do not alter or disable limit switch	1
14	09410043	Decal, Symbols-Collision hazard	4
15	09410042	Decal, Symbols-Crushing hazard	4
16	09310452	Decal, Instructions-Maximum outrigger load: 7460kg	4
17	09310450	Decal, Instructions-Maximum wheel load: 7460kg	4
18	09310459	Decal, Instructions-Grease filling port	1
19	09310098	Decal, Symbols-Platform power instructions	1
20	09310461	Decal, Symbols-Battery charging instructions	1
21	09410049	Decal, Symbols-Electrocution hazard	2
22	09410147	Decal, Symbols-Charge warning	2
23	09410050	Decal, Symbols-Injection hazard	1
24	09310073	Decal, Instructions-Hydraulic Oil	1
25	09330030	Decal, Symbols-Grease filling port	1
26	09640188	Decal, Label-JCPT2814DC	2
27	09440072	Decal, Symbols-Max. manual force 400N	2
28	09310003	Decal, Instructions-Tie down point	4



**602.1 Decals with Symbols**

<b>Item</b>	<b>Part No.</b>	<b>Description</b>	<b>Qty.</b>
29	09310002	Decal, Instructions-Lift point	4
30	09540001	Decal, Label-CE	1
31	09410048	Decal, Symbols-Explosion/burn hazard	2
32	09310458	Decal, Instructions-Grease filling port	1
33	09330031	Decal, Instructions-Grease filling port	1
34	09310053	Decal, Instructions-Lowest Hydraulic Oil Level	1
35	09310052	Decal, Instructions-Highest Hydraulic Oil Level	1
36	09310460	Decal, Symbols-Emergency operating instructions	1
	09310524	Decal, Symbols-Emergency operating instructions	1

602.1 Decals with Symbols

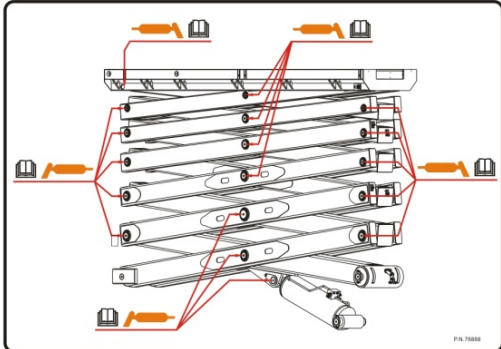

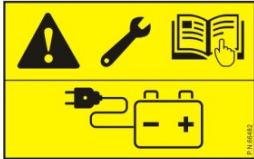
<p>① 09340026</p>	<p>② 09440094</p>	<p>③ 09340028</p>	<p>⑥ 09440091</p>
<p>④ 09340070</p>	<p>⑤ 09440090</p>	<p>⑦ 09440089</p>	
<p>⑨ 09410149</p>	<p>⑧ 09440212</p>		
<p>⑩ 09440362</p>	<p>⑪ 09430016</p>		
<p>⑫ 09410146</p>	<p>⑬ 09410051</p>	<p>⑱ 09310459</p>	
<p>⑭ 09410043</p>	<p>⑮ 09410042</p>		
<p>⑯ 09310452</p>	<p>⑰ 09310450</p>	<p>⑲ 09310098</p>	<p>⑳ 09310461</p>
		<p>㉑ 09410049</p>	

602.1 Decals with Symbols


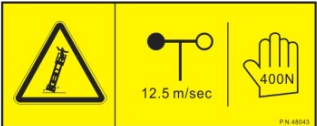
(26) 09640188

# JCPT2814DC

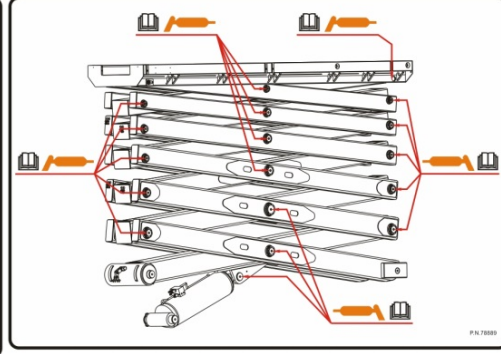
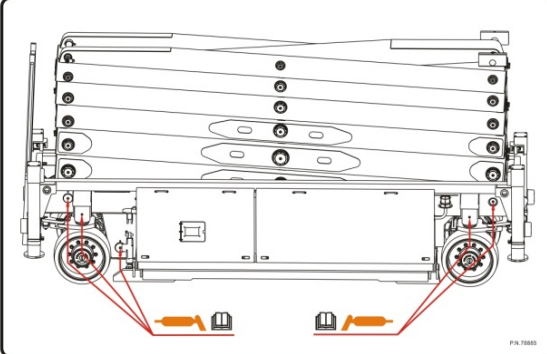
(22) 09410147 (23) 09410050 (25) 09330030







(27) 09440072 (24) 09310073



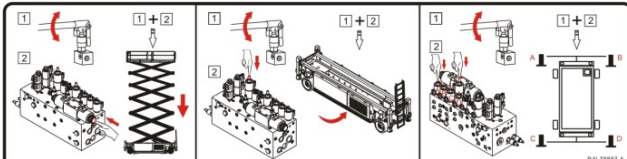
(32) 09310458 (33) 09330031



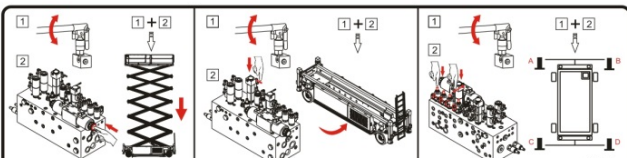
(34) 09310053 (35) 09310052 (28) 09310003 (29) 09310002




(36) 09310460




(36) 09310524



(30) 09540001



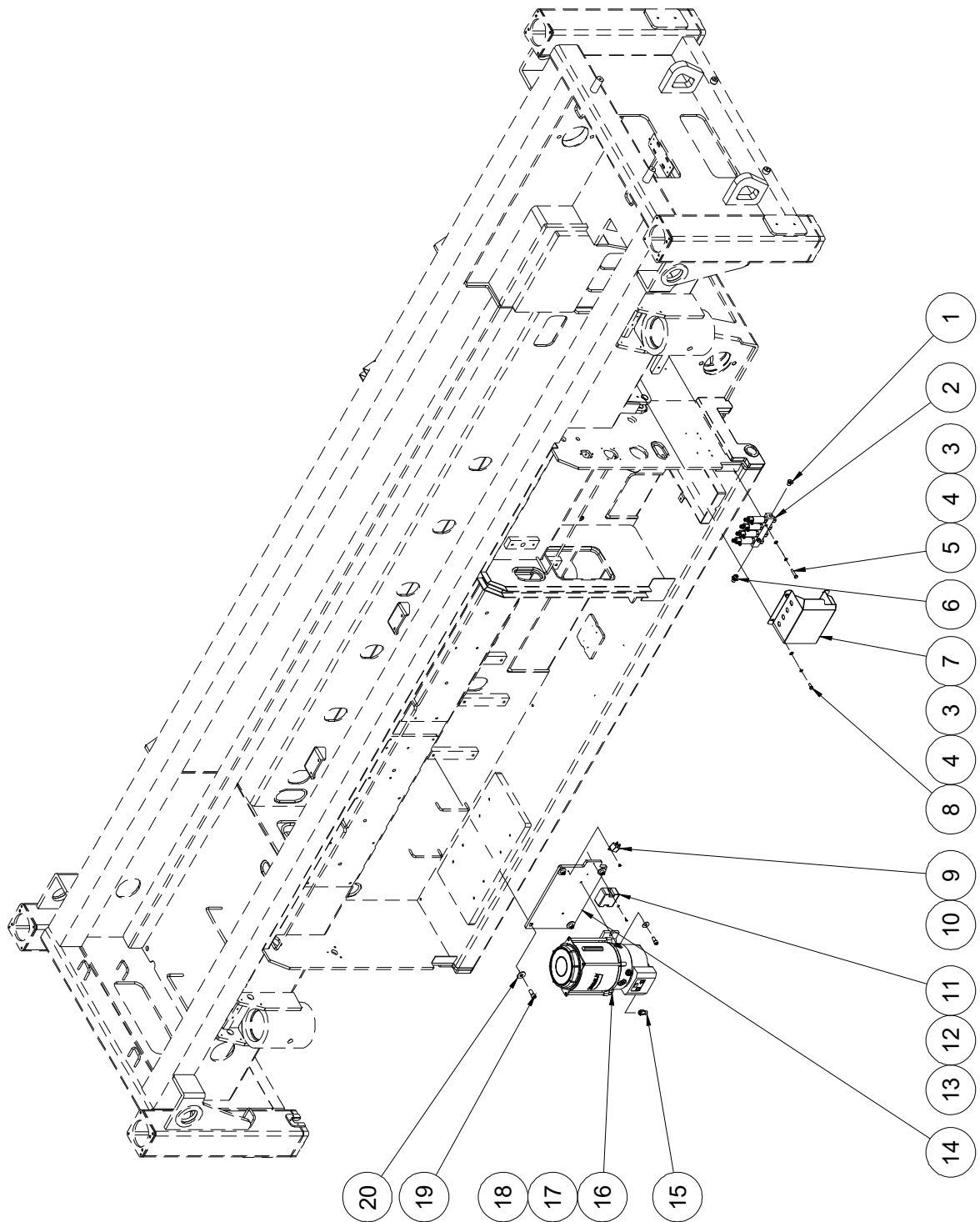
(31) 09410048



# **Section 7**

# **Automatic Lubrication Systems**

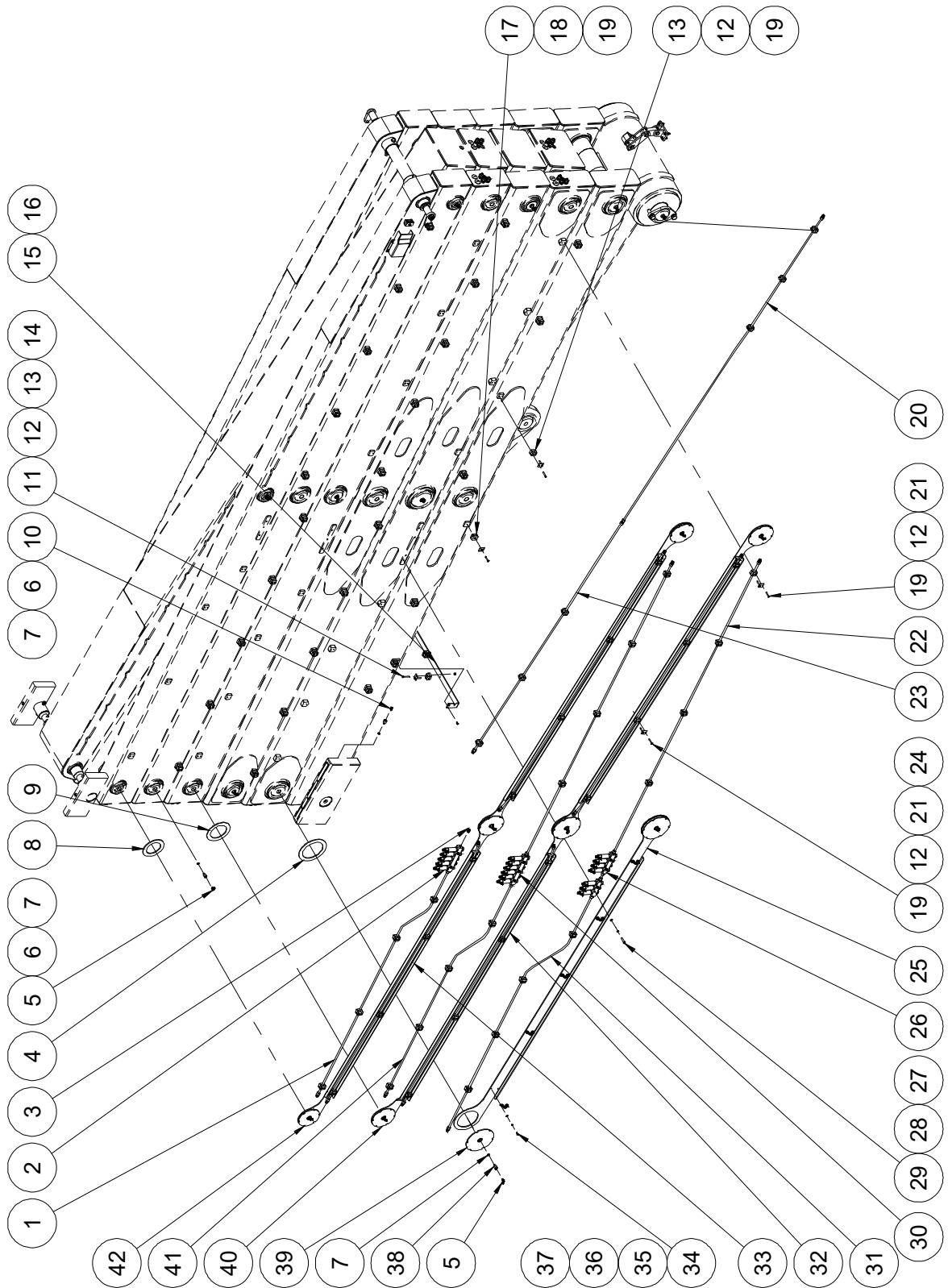
701.1 Automatic Lubrication Systems - Chassis Components



**701.1 Automatic Lubrication Systems - Chassis Components**

Item	Part No.	Description	Qty.
1	00001113	Plug VSTI3/8ED	1
2	10019770	QSL metering device assembly 2	1
--	00008662	QSL metering device	1
--	00008958	Straight fitting	4
3	00000608	Washer GB/T 97.1 8	6
4	00000609	Washer GB/T 93 8	6
5	00002604	Bolt GB/T 5783 M8×40	2
6	00001499	Straight fitting	1
7	10020273	Cover	1
8	00000875	Bolt GB/T 5783 M8×20	4
9	00002206	Relay	1
10	00001010	Screw GB/T 973 M5×8	1
11	00008922	Power (12V to 24V)	1
12	00002002	Screw GB/T 70.1 M4×10	2
13	00000778	Washer GB/T 97.1 4	2
14	10022809	Pump bracket	1
15	00008939	Straight fitting	1
16	00008660	Pump	1
17	00002504	Screw GB/T 70.1 M10×25	2
18	00001028	Washer GB/T 96.1 10	2
19	00008960	Screw GB/T 70.1 M12×30	4
20	00002601	Washer GB/T 96.1 12	4

702.1 Automatic Lubrication Systems - Scissor Components





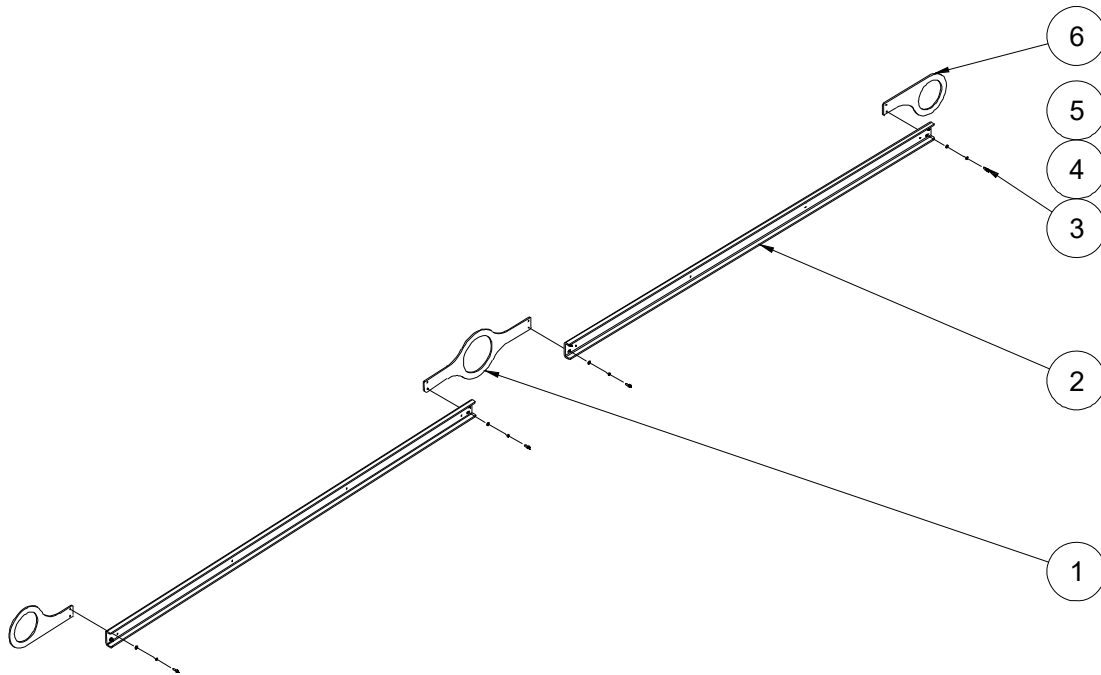
**702.1 Automatic Lubrication Systems - Scissor Components**

Item	Part No.	Description	Qty.
1	10020664	Pipe assembly 7	1
2	10019769	QSL metering device assembly 4	1
--	00008663	QSL metering device	1
--	00008958	Straight fitting	5
3	00001113	Plug VST13/8ED	1
4	10020637	Washer 3	6
5	00008665	Elbow	19
6	10018295	Fitting 1	13
7	00001332	Washer JB/T 982 10	21
8	10019172	Washer 1	2
9	10019173	Washer 2	8
10	00008846	Straight fitting	2
11	00009634	Bolt GB/T 5783 M6×45	4
12	00008840	Base plate	75
13	00008827	Hose clamp	32
14	00001033	Nut GB/T 6182 M6	4
15	10020636	Hose bridge 4	1
16	00000745	Bolt GB/T 5783 M6×12	4
17	00008839	Hose clamp	2
18	00008844	Base plate	2
19	00003176	Bolt GB/T 5782 M6×40	148
20	10020639	Pipe assembly 1	1
21	00008826	Hose clamp	43
22	10020645	Pipe assembly 4	2
23	10020641	Pipe assembly 2	1
24	10020647	Pipe assembly 5	4
25	10022279	Hose bridge 1	1
26	10019394	QSL metering device assembly 1	1
--	00008825	QSL metering device	1



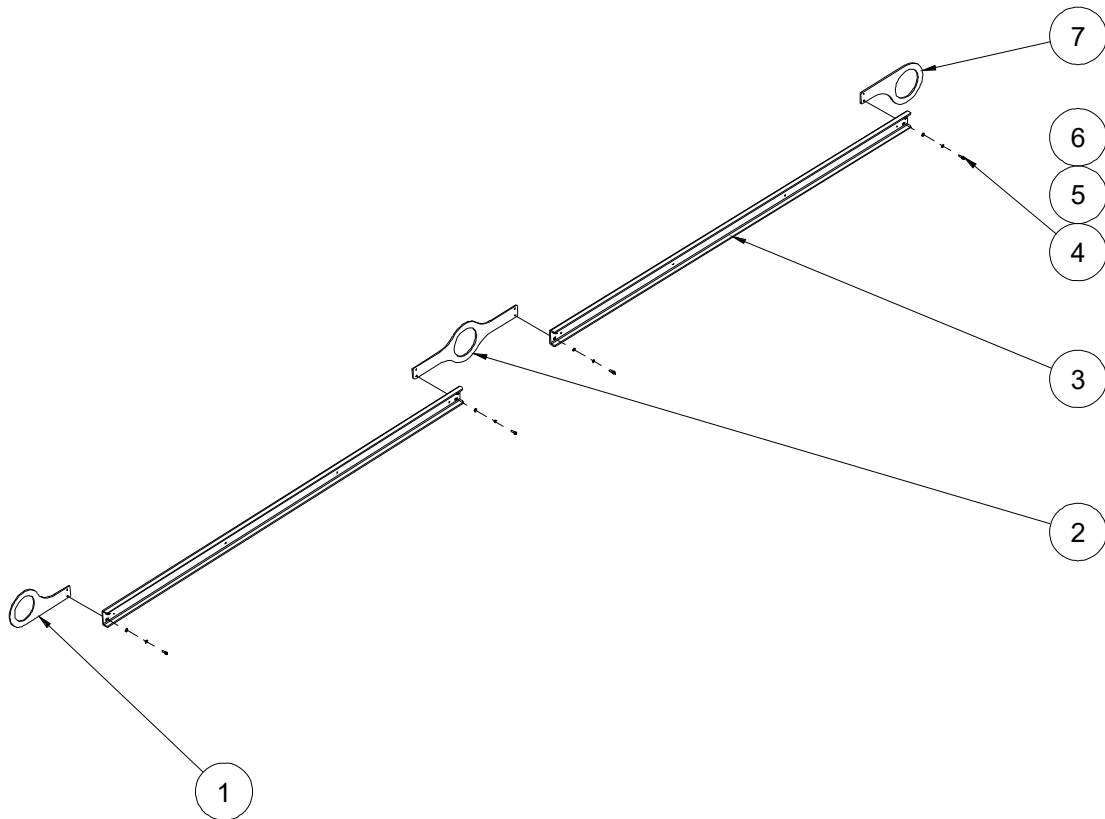
**702.1 Automatic Lubrication Systems - Scissor Components**

Item	Part No.	Description	Qty.
--	00008662	QSL metering device	1
--	10019226	Pipe assembly 4	1
--	00008958	Straight fitting	7
27	00000608	Washer GB/T 97.1 8	9
28	00000609	Washer GB/T 93 8	9
29	00002604	Bolt GB/T 5783 M8×40	9
30	10019771	QSL metering device assembly 3	1
--	00008664	QSL metering device	1
--	00008958	Straight fitting	6
31	10020643	Pipe assembly 3	1
32		Cable bridge assembly 1 (refer to 703.1)	1
33		Cable bridge assembly 2 (refer to 704.1)	1
34	00008512	Screw GB/T 70.1 M6×10	8
35	00000621	Washer GB/T 93 6	8
36	00000620	Washer GB/T 97.1 6	8
37	10014141	Clamp	4
38	10019190	Fitting 3	8
39	10020669	Protection plate 3	2
40	10019178	Protection plate 2	4
41	10020649	Pipe assembly 6	1
42	10019176	Protection plate 1	1

**703.1 Cable Bridge Assembly 1****703.1 Cable Bridge Assembly 1**

Item	Part No.	Description	Qty.
1	10020839	Cable bridge bracket	1
2	10020838	Cable bridge	2
3	00000876	Screw GB/T 70.1 M6×16	8
4	00000621	Washer GB/T 93 6	8
5	00000620	Washer GB/T 97.1 6	8
6	10020840	Cable bridge bracket	2

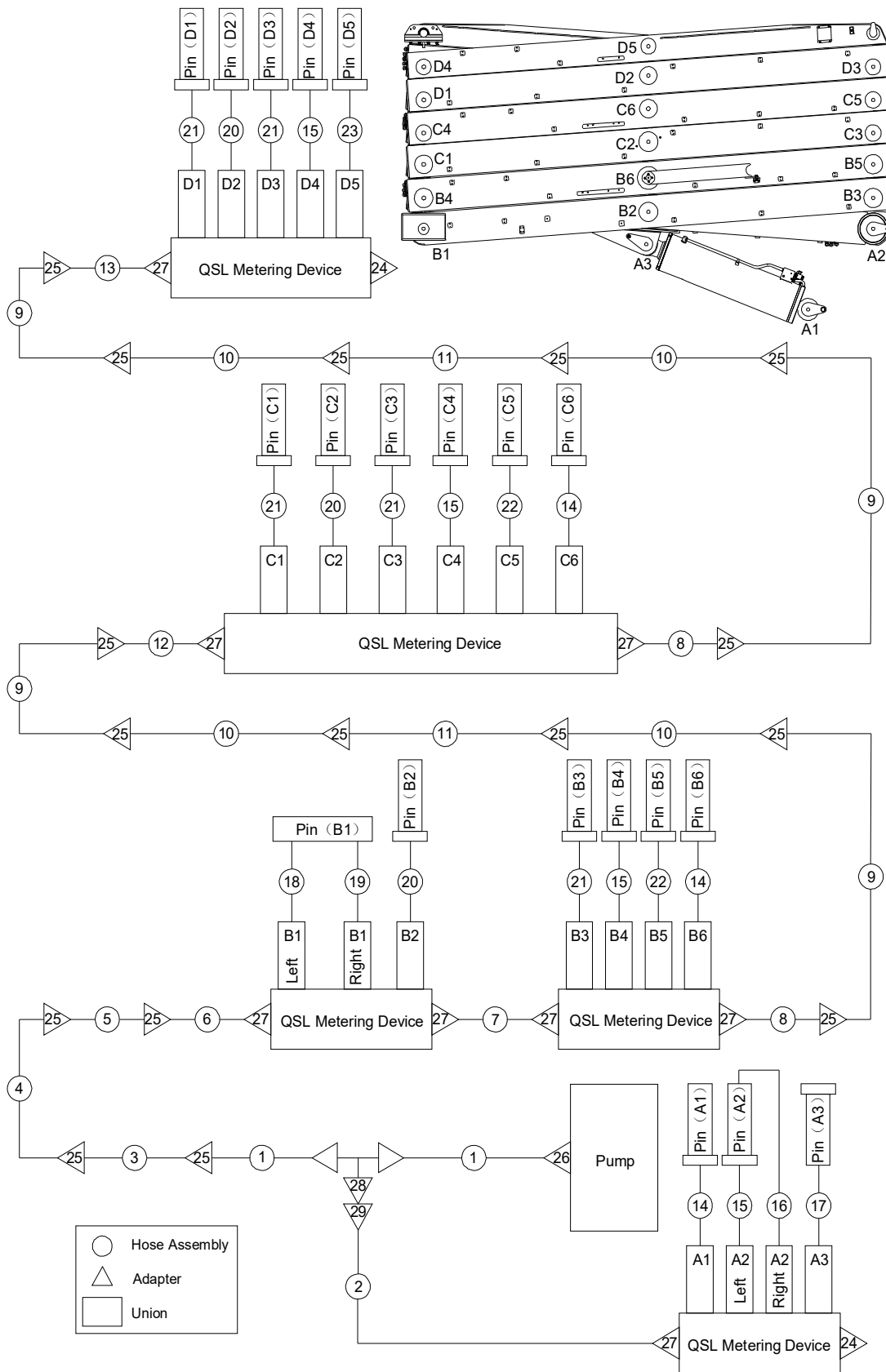
**704.1 Cable Bridge Assembly 2**



**704.1 Cable Bridge Assembly 2**

Item	Part No.	Description	Qty.
1	10020844	Cable bridge bracket	1
2	10020843	Cable bridge bracket	1
3	10020838	Cable bridge	2
4	00000876	Screw GB/T 70.1 M6×16	8
5	00000621	Washer GB/T 93 6	8
6	00000620	Washer GB/T 97.1 6	8
7	10020840	Cable bridge bracket	1

705.1 Automatic Lubrication Systems - Hoses and Fittings



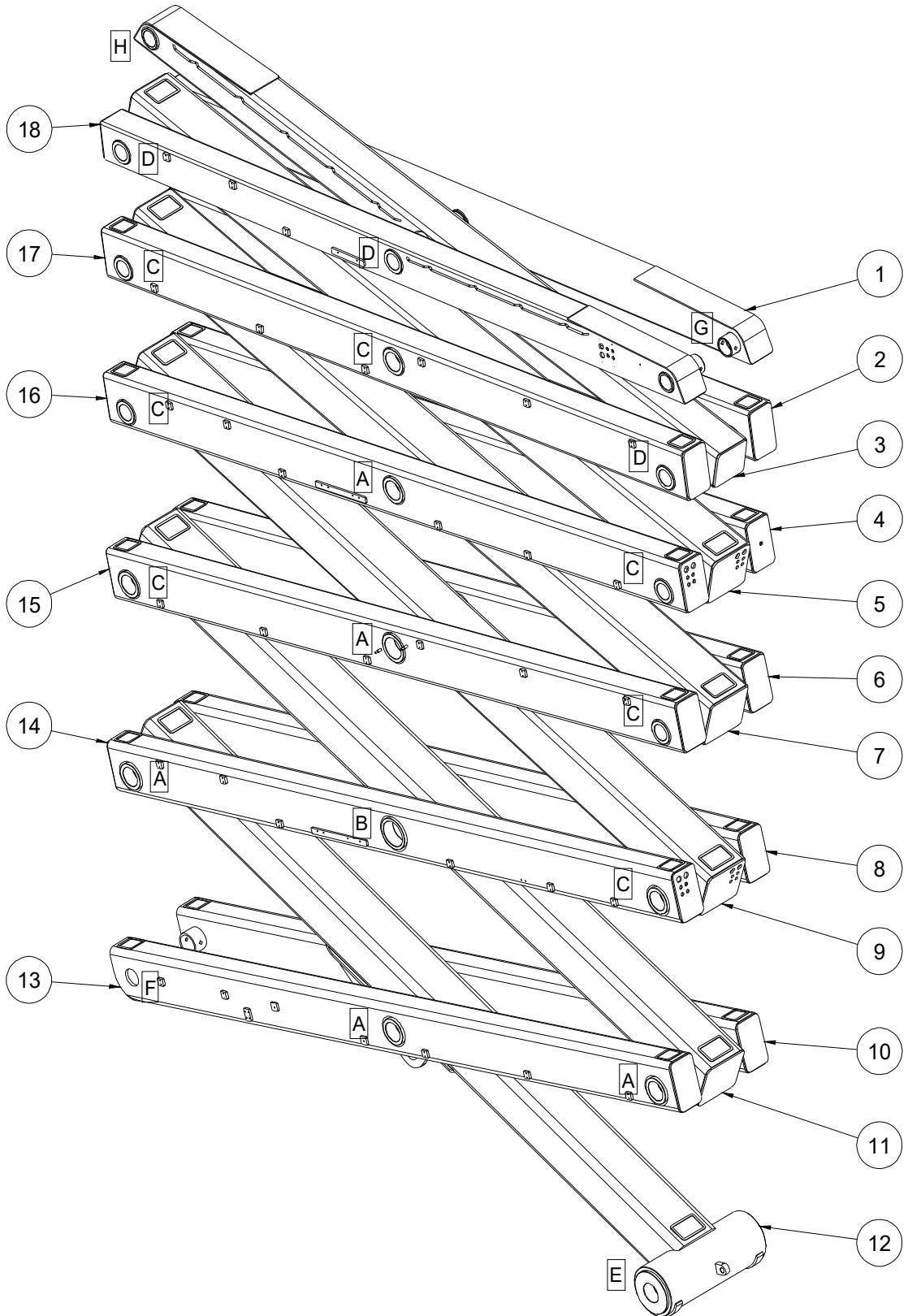
**705.1 Automatic Lubrication Systems - Hoses and Fittings**

Item	Part No.	Description	Qty.
1	00008864	Hose assembly	2
2	00008865	Hose assembly	1
3	10020639	Pipe assembly 1	1
--	10020640	Pipe 1	1
--	00008836	Retaining Nut M16×1.5	2
--	00008837	Cutting ring 10	2
4	10020641	Pipe assembly 2	1
--	10020642	Pipe 2	1
--	00008836	Retaining Nut M16×1.5	2
--	00008837	Cutting ring 10	2
5	00005030	Hose assembly	1
6	10020643	Pipe assembly 3	1
--	10020644	Pipe 3	1
--	00008836	Retaining Nut M16×1.5	2
--	00008837	Cutting ring 10	2
7	10019226	Pipe assembly 4	1
--	10019227	Pipe 4	1
--	00008836	Retaining Nut M16×1.5	2
--	00008837	Cutting ring 10	2
8	10020645	Pipe assembly 4	2
--	10020646	Pipe 4	1
--	00008836	Retaining Nut M16×1.5	2
--	00008837	Cutting ring 10	2
9	00008862	Hose assembly	4
10	10020647	Pipe assembly 5	4
--	10020648	Pipe 5	1
--	00008836	Retaining Nut M16×1.5	2
--	00008837	Cutting ring 10	2
11	00008861	Hose assembly	2

**705.1 Automatic Lubrication Systems - Hoses and Fittings**

Item	Part No.	Description	Qty.
12	10020649	Pipe assembly 6	1
--	10020663	Pipe 6	1
--	00008836	Retaining Nut M16×1.5	2
--	00008837	Cutting ring 10	2
13	10020664	Pipe assembly 7	1
--	10020665	Pipe 7	1
--	00008836	Retaining Nut M16×1.5	2
--	00008837	Cutting ring 10	2
14	10020837	Hose assembly L400	3
15	10021244	Hose assembly L2200	4
16	10021242	Hose assembly L3700	1
17	10021243	Hose assembly L5500	1
18	10020698	Hose assembly L6700	1
19	10020969	Hose assembly L7900	1
20	10020697	Hose assembly L4700	3
21	10020696	Hose assembly L7000	5
22	10021260	Hose assembly L2700	2
23	10021235	Hose assembly L300	1
24	00001113	Plug VST13/8ED	2
25	00004468	Straight fitting	16
26	00008939	Straight fitting	1
27	00001499	Straight fitting	8
28	00002102	Tee fitting	1
29	00001833	Elbow	1

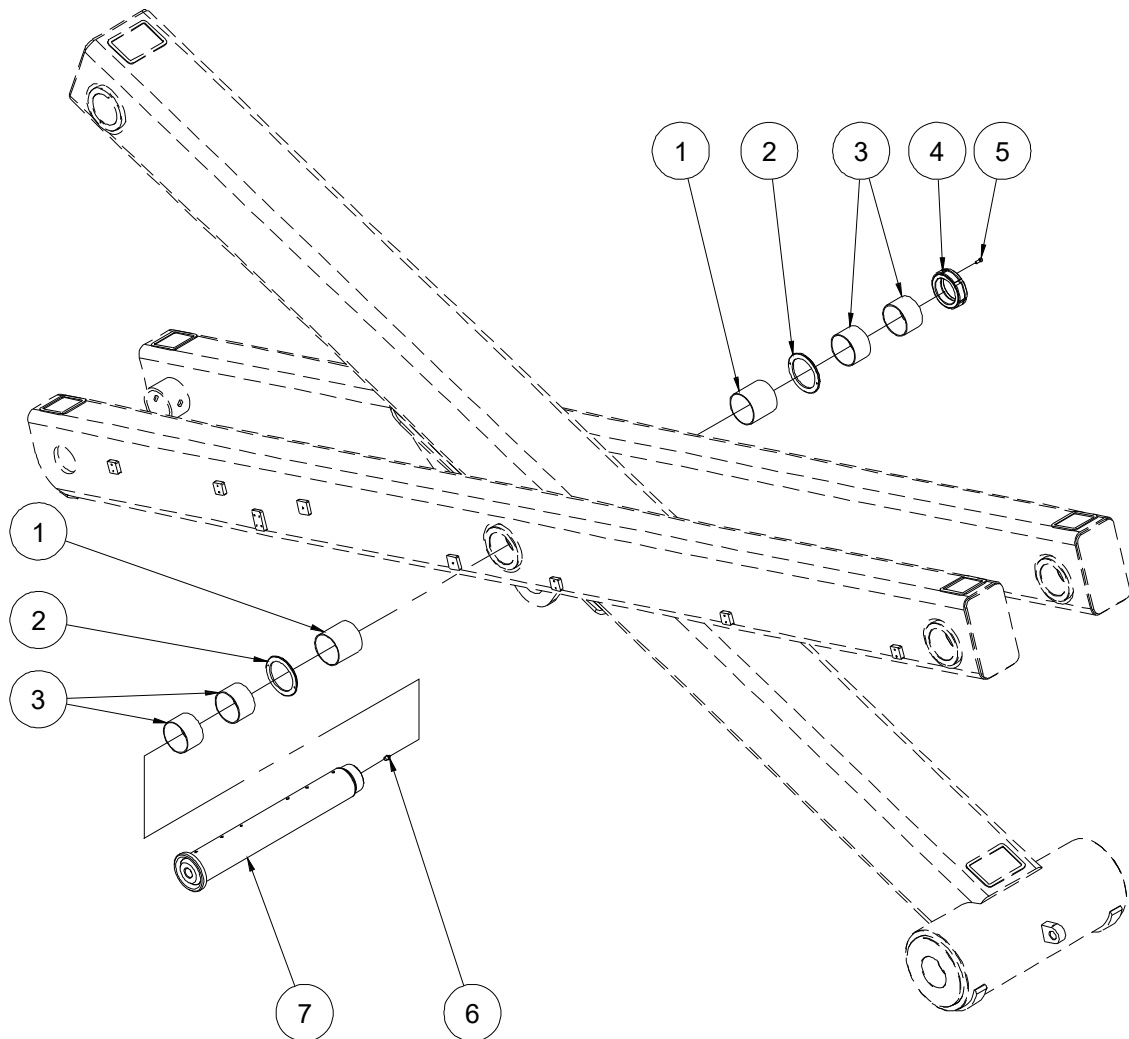
### 706.1 Automatic Lubrication Systems - Scissor Arms Installation



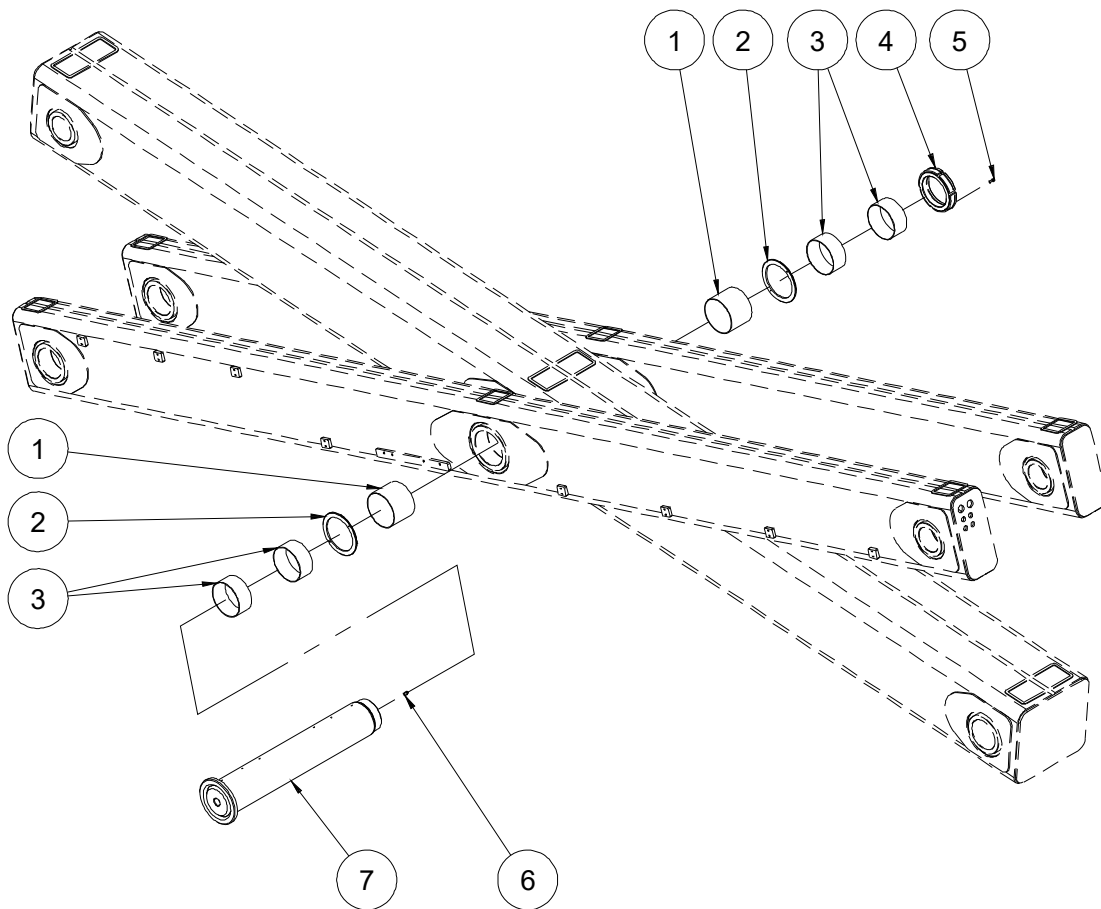
### 706.1 Automatic Lubrication Systems - Scissor Arms Installation

Item	Part No.	Description	Qty.
1	10016728	Outer arm 6, right	1
2	10016722	Outer arm 5	1
3	10016724	Inner arm 6	1
4	10016719	Outer arm 4, right	1
5	10016720	Inner arm 5	1
6	10016713	Outer arm 3	1
7	10016715	Inner arm 4	1
8	10016710	Outer arm 2, right	1
9	10016711	Inner arm 3	1
10	10022269	Outer arm 1, right	1
11	10016706	Inner arm 2	1
12	10022267	Inner arm 1	1
13	10022268	Outer arm 1, left	1
14	10022271	Outer arm 2, left	1
15	10022272	Outer arm 3, left	1
16	10022273	Outer arm 4, left	1
17	10022274	Outer arm 5, left	1
18	10022275	Outer arm 6, left	1



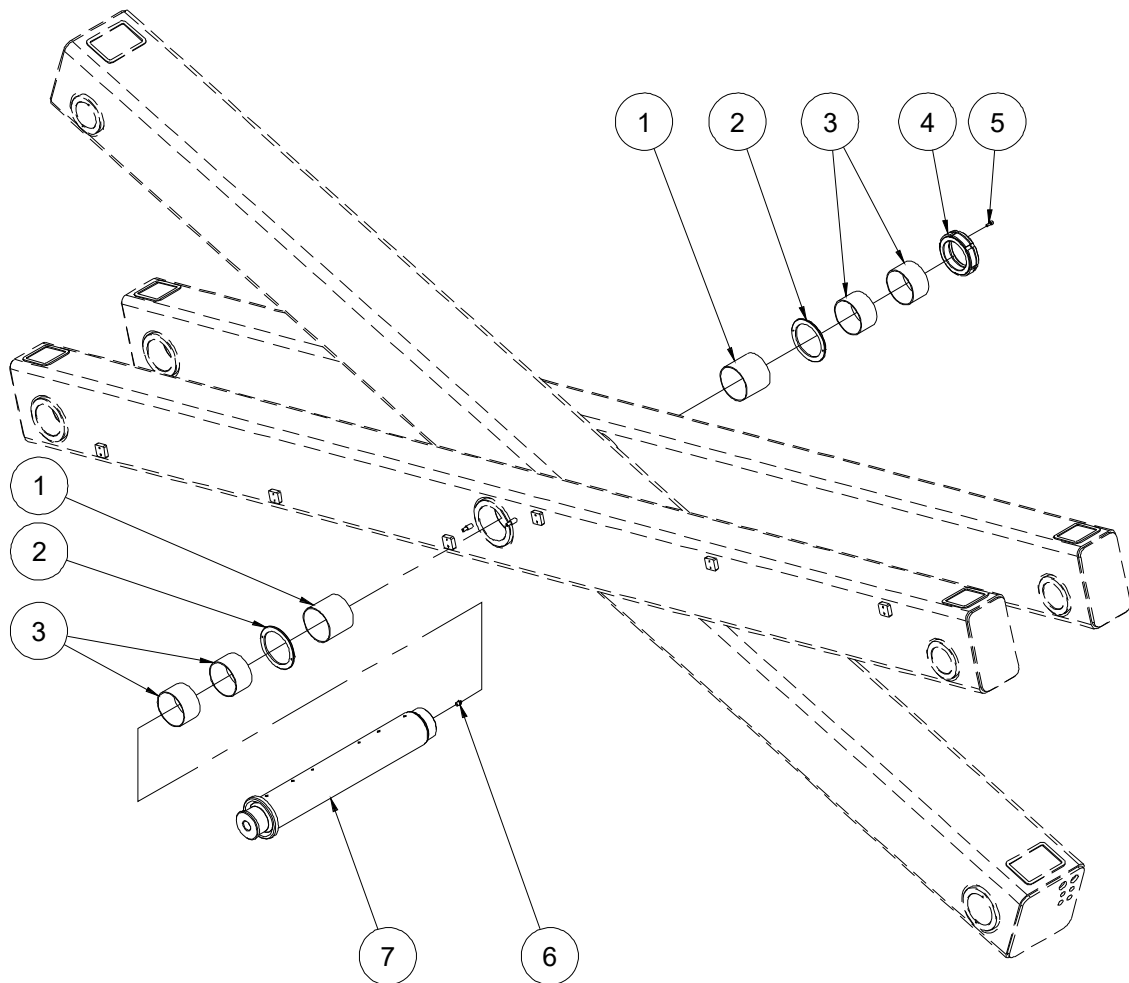
**707.1 Automatic Lubrication Systems - Scissor Arm pin joint A****707.1 Automatic Lubrication Systems - Scissor Arm pin joint A**

Item	Part No.	Description	Qty.
1	00007872	8812-110115100A Bearing	2
2	10016087	Washer 110	2
3	00007873	8812-11011560A Bearing	4
4	10017509	Nut M100	1
5	00000876	Screw GB/T 70.1 M6×16	6
6	00004483	Grease nipple GB/T 1152 M10×1	1
7	10016056	Pin 110	1

**708.1 Automatic Lubrication Systems - Scissor Arm pin joint B****708.1 Automatic Lubrication Systems - Scissor Arm pin joint B**

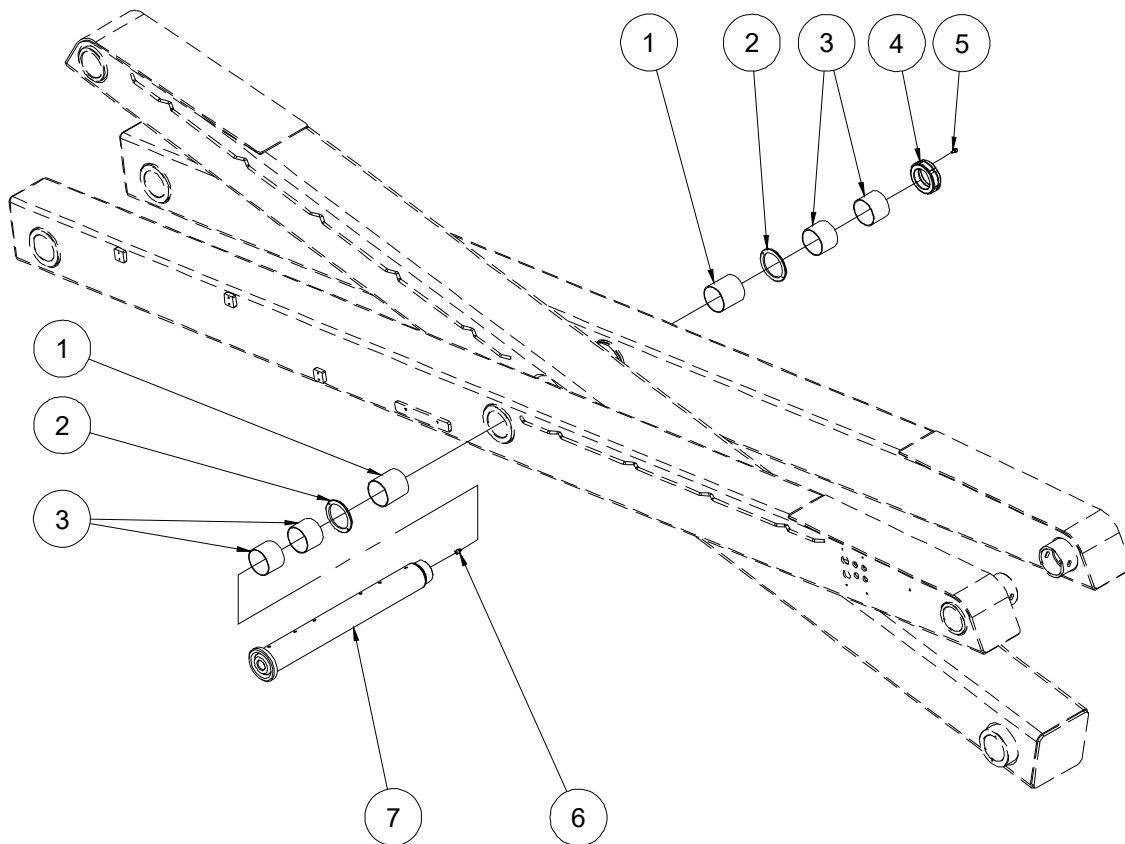
Item	Part No.	Description	Qty.
1	00007850	8812-130135100A Bearing	2
2	10016755	Washer 130	2
3	00007851	8812-13013560A Bearing	4
4	10017510	Nut M120	1
5	00000876	Screw GB/T 70.1 M6×16	6
6	00004483	Grease nipple GB/T 1152 M10×1	1
7	10016739	Pin 130	1

**709.1 Automatic Lubrication Systems - Scissor Arm pin joint C**



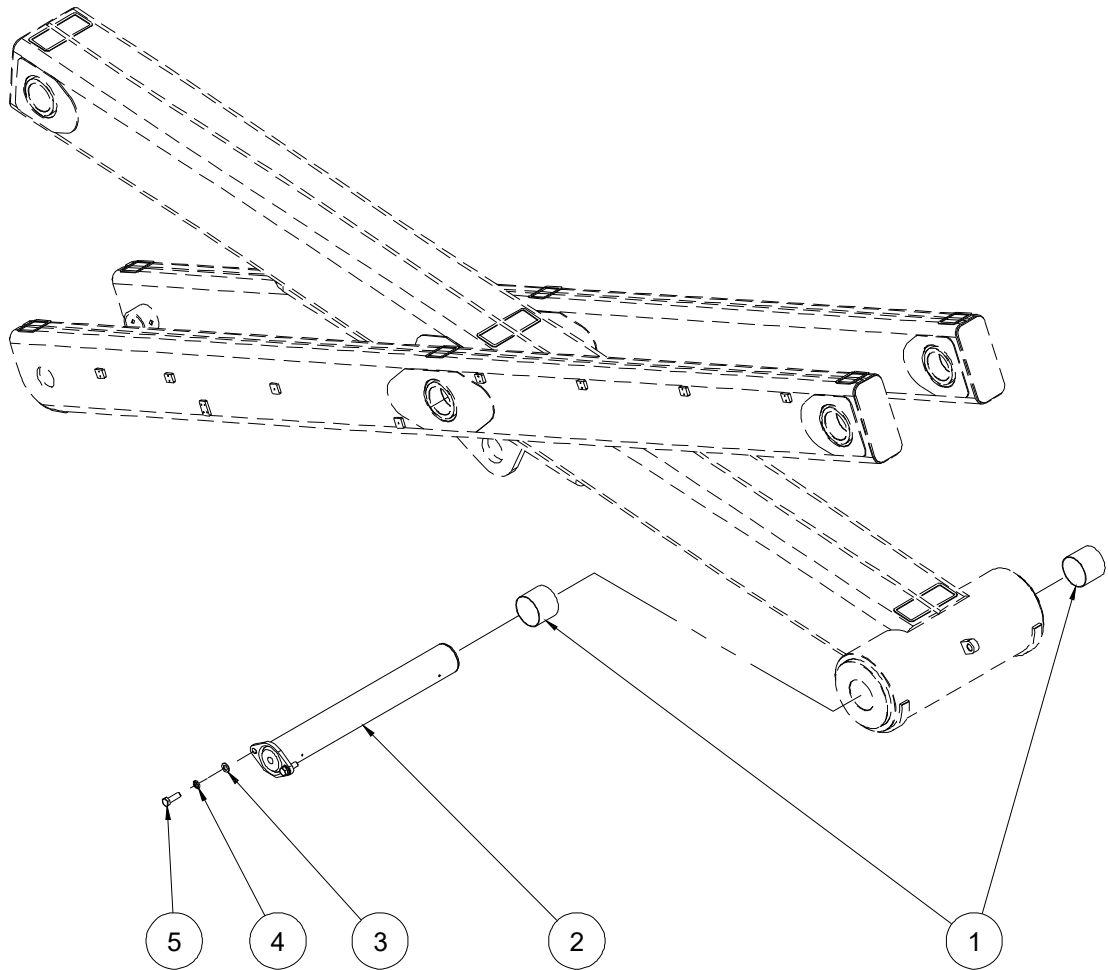
**709.1 Automatic Lubrication Systems - Scissor Arm pin joint C**

Item	Part No.	Description	Qty.
1	00006140	8812-909590A Bearing	2
2	10009382	Washer 90	2
3	00006149	8812-909560A Bearing	4
4	10017506	Nut M80	1
5	00000876	Screw GB/T 70.1 M6×16	4
6	00004483	Grease nipple GB/T 1152 M10×1	1
7	10016063	Pin 90-1	1

**710.1 Automatic Lubrication Systems - Scissor Arm pin joint D****710.1 Automatic Lubrication Systems - Scissor Arm pin joint D**

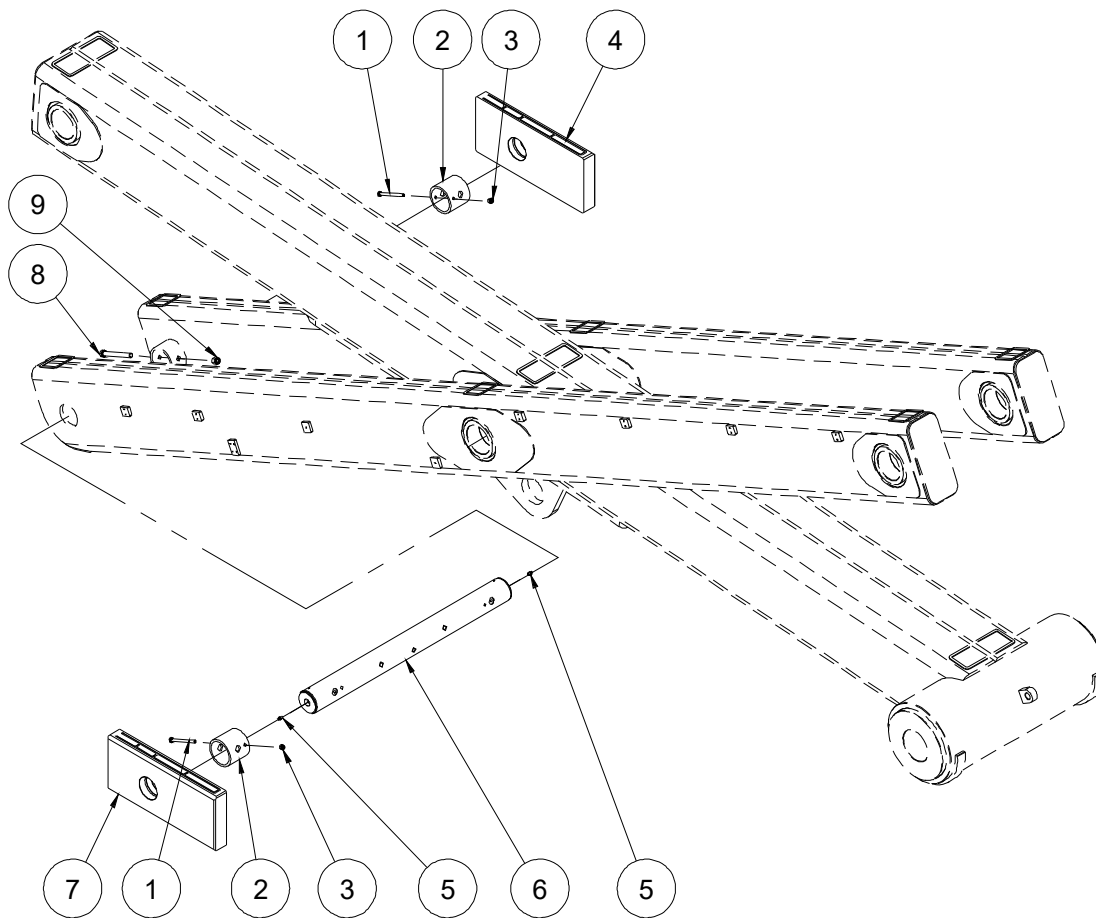
Item	Part No.	Description	Qty.
1	00006144	8812-758080A Bearing	2
2	10009374	Washer 75	2
3	00006143	8812-758060A Bearing	4
4	10017507	Nut M64	1
5	00002029	Screw GB/T 70.1 M6×12	4
6	00004483	Grease nipple GB/T 1152 M10×1	1
7	10016061	Pin 75	1

**711.1 Automatic Lubrication Systems - Scissor Arm pin joint E**



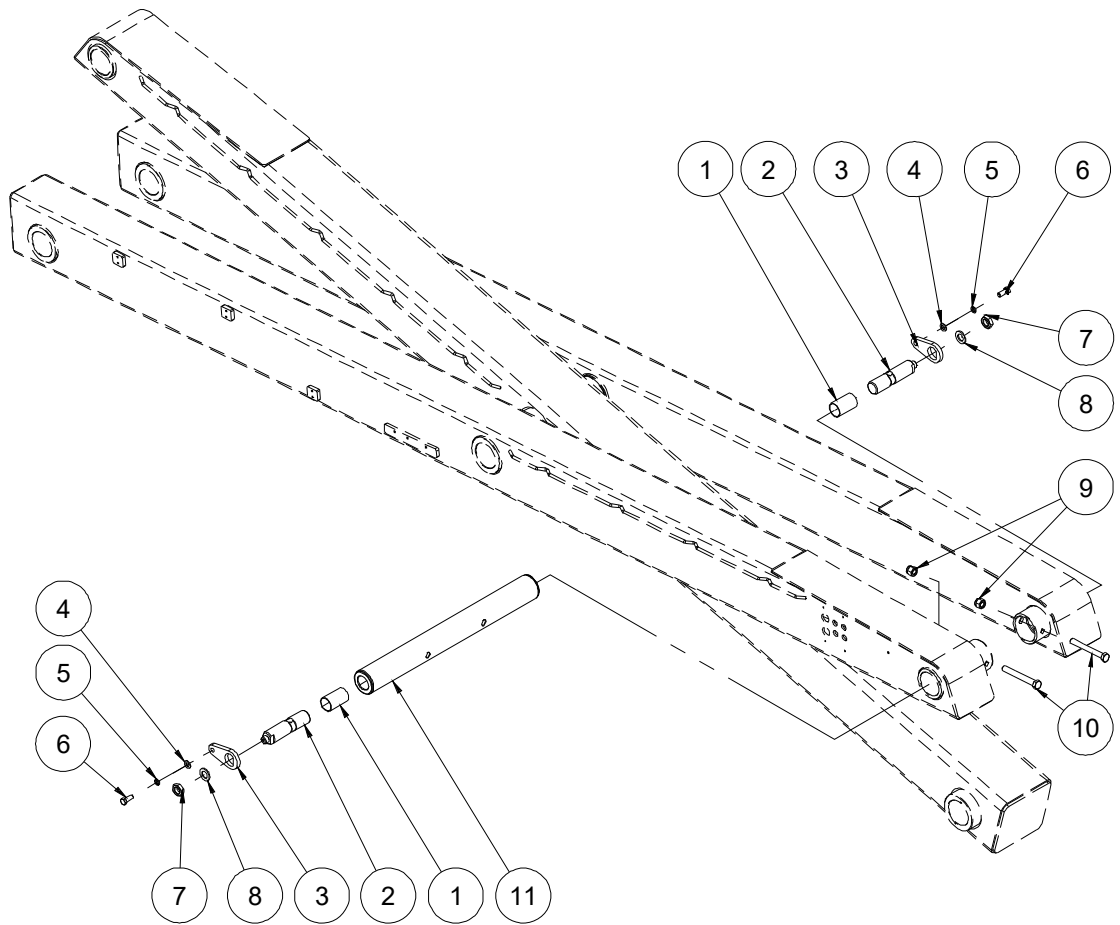
**711.1 Automatic Lubrication Systems - Scissor Arm pin joint E**

Item	Part No.	Description	Qty.
1	00006146	8812-120125100A Bearing	2
2	10015873	Pin	1
3	00001050	Washer GB/T 97.1 20	2
4	00002219	Washer GB/T 93 20	2
5	00006443	Bolt GB/T 5783 M20×60	2

**712.1 Automatic Lubrication Systems - Scissor Arm pin joint F****712.1 Automatic Lubrication Systems - Scissor Arm pin joint F**

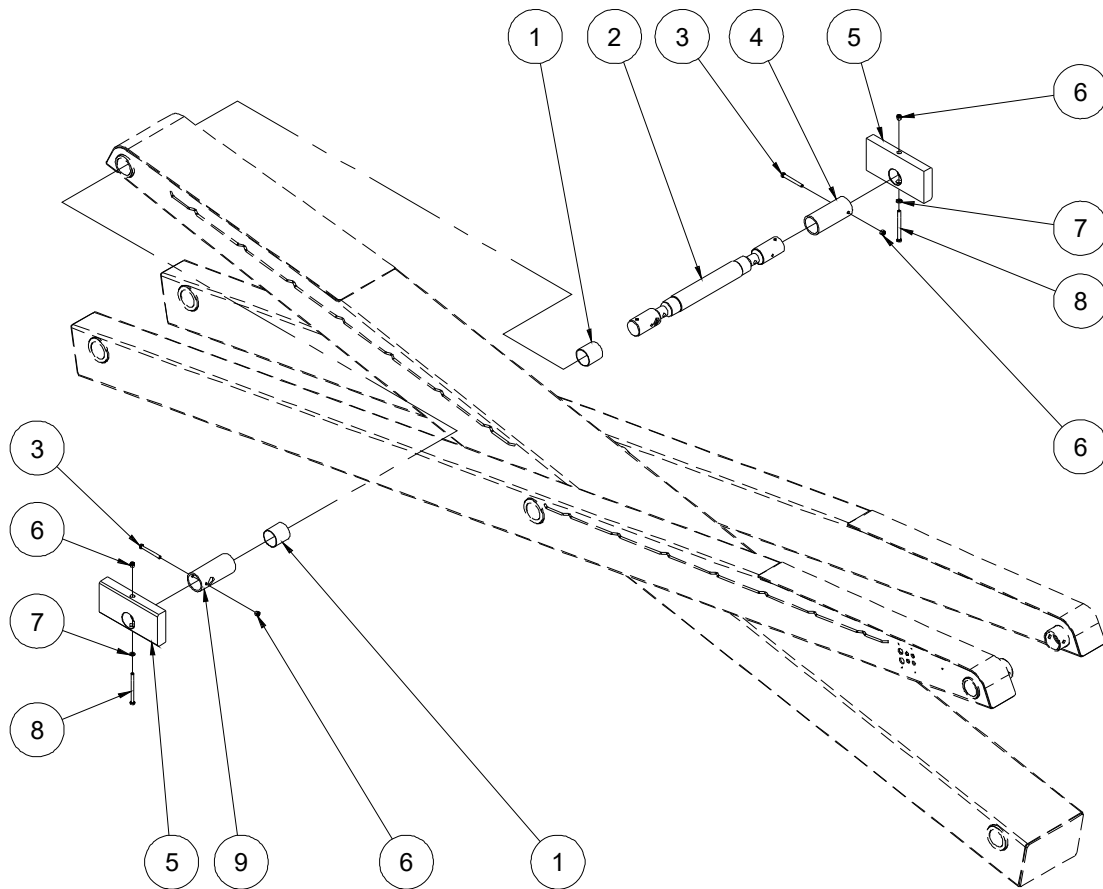
Item	Part No.	Description	Qty.
1	00006082	Bolt GB/T 5782 M10×130	2
2	10022277	Spacer sleeve 1	2
3	00000623	Nut GB/T 6182 M10	2
4	10016066	Chassis slider 1	1
5	00004483	Grease nipple GB/T 1152 M10×1	2
6	10022276	Pin	1
7	10017868	Chassis slider 2	1
8	00005163	Bolt GB/T 5782 M16×150	2
9	00001257	Nut GB/T 6182 M16	2

**713.1 Automatic Lubrication Systems - Scissor Arm pin joint G**



**713.1 Automatic Lubrication Systems - Scissor Arm pin joint G**

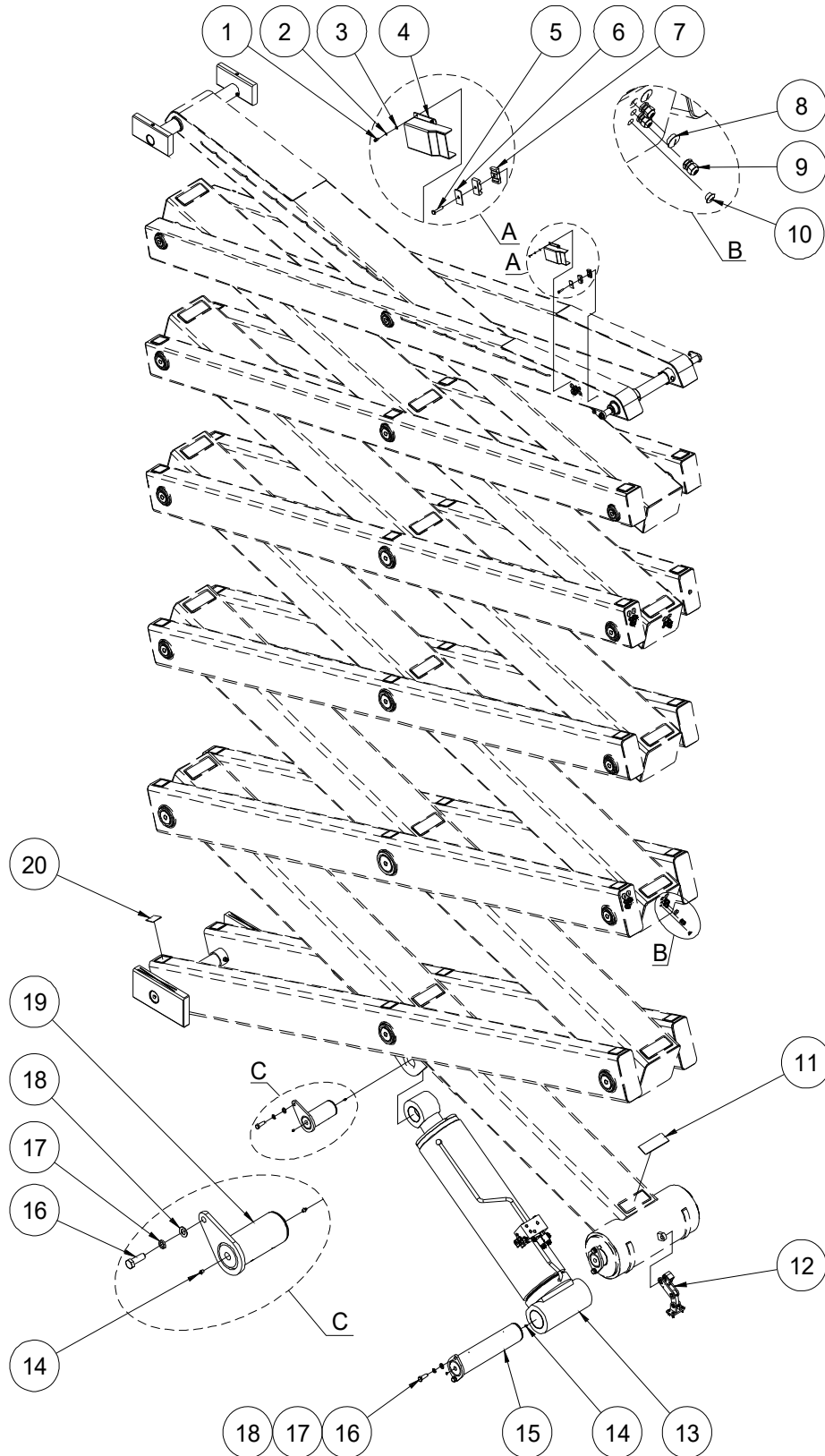
Item	Part No.	Description	Qty.
1	00006165	8812-404470 Bearing	2
2	10009662	Pin	2
3	10009677	Pin fixing plate	2
4	00000814	Washer GB/T 97.1 12	2
5	00000815	Washer GB/T 93 12	2
6	00002059	Bolt GB/T 5783 M12×30	2
7	00001998	Nut GB/T 6173 M22×1.5	2
8	00002550	Washer GB/T 97.1 22	2
9	00001257	Nut GB/T 6182 M16	2
10	00001109	Bolt GB/T 5782 M16×130	2
11	10016072	Pin	1

**714.1 Automatic Lubrication Systems - Scissor Arm pin joint H****714.1 Automatic Lubrication Systems - Scissor Arm pin joint H**

Item	Part No.	Description	Qty.
1	00006166	8812-758080 Bearing	2
2	10016068	Pin	1
3	00006174	Bolt GB/T 5782 M12×110	2
4	10016070	Spacer sleeve	1
5	10016069	Platform slider	2
6	00001249	Nut GB/T 6182 M12	4
7	00000814	Washer GB/T 97.1 12	2
8	00006185	Bolt GB/T 5782 M12×150	2
9	10016071	Spacer sleeve	1



### 715.1 Automatic Lubrication Systems - Lift cylinder and Scissor Accessory Installation



### 715.1 Automatic Lubrication Systems - Lift cylinder and Scissor Accessory Installation

Item	Part No.	Description	Qty.
1	00001252	Screw GB/T 70.1 M5×12	4
2	00000606	Washer GB/T 93 5	4
3	00000605	Washer GB/T 97.1 5	4
4	10018063	Cover	1
5	00002604	Bolt GB/T 5783 M8×40	1
6	10017938	Base plate	1
7	10017895	Hose clamp	2
8	00006183	Cover	24
9	00006128	Water-proof joint M20×1.5	36
10	00006177	Cover	14
11	10016089	Block	15
12		Rotary sensor assembly (refer to 211.1)	1
13		Lift cylinder assembly (without seal kit) (refer to 401.1)	1
14	00004483	Grease nipple GB/T 1152 M10×1	20
15	10015876	Pin	1
16	00006443	Bolt GB/T 5783 M20×60	5
17	00002219	Washer GB/T 93 20	5
18	00001050	Washer GB/T 97.1 20	5
19	10016744	Pin	1
20	10017867	Block	30



---

## **DINGLI AWP INDIA PRIVATE LIMITED**

Address: Sahney Towers, 81, First Floor, Poonamallee High Road, Nerkundram,

Chennai, Tamil Nadu - 600 107

Telephone: +91-98846 48464

E-mail: [support@dinglisaarc.com](mailto:support@dinglisaarc.com)

Website: [www.dinglisaarc.com](http://www.dinglisaarc.com)

---

**DINGLI**