

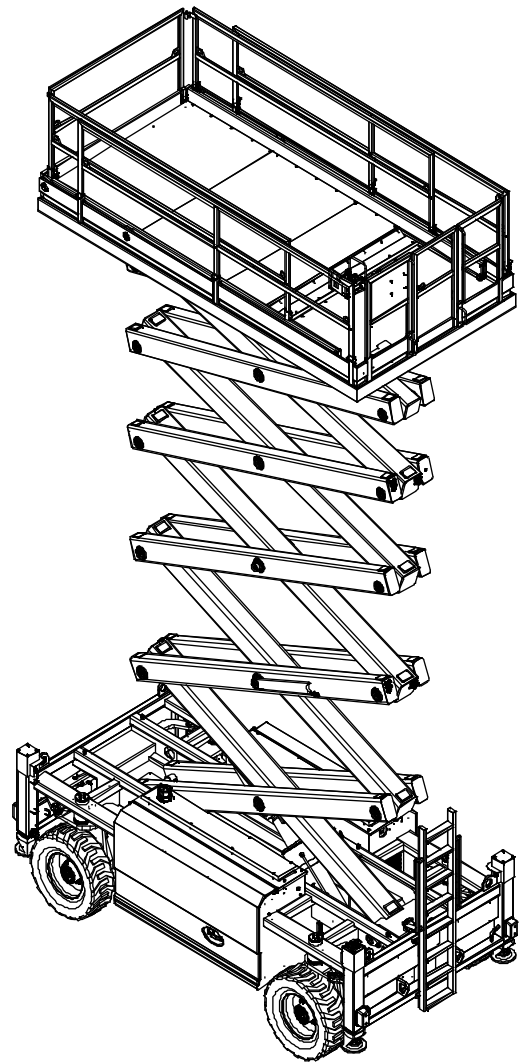
DINGLI

Exceed · New Height

Parts Manual

JCPT2223RTB

From SN
JPR2223123B0310-JPR2223123E0176



CE

Part Number: SM011920113

Version Number: Rev1.1

August 2023 Printing

DINGLI

Foreword

We are very appreciated for your interesting with Dingli machine and choosing it for your application. Our priority above all is you can use the machine safely for your application and you can benefit from the Dingli machine mostly. For these reason we hope you can:

1. Comply with employer, job site and local governmental rules.
2. Safeguard your commitment to quality by always using genuine Dingli spare parts. Remember, Dingli cannot accept responsibility for the failure of a separator equipped with non-original spare parts. We guarantee the quality and reliability of our products.
3. All sketch maps of parts shown in this manual are for reference only, it is the practical that counts. This manual includes all the latest information up to the date when it was printed. All responsibilities for the revision and explanation of the manual rest with the Dingli. We also preserve the right to edit the technology characteristic and content of the manual.
4. Anyone who read the manual or used the machine, is encouraged to notify Dingli Machinery Co, Ltd of any errors or send in suggestions for improvement. All communications will be carefully considered for future printings of this and other manuals, certainly if you have any question about the machine, please contact with our team by dialing technical support phone, sending email, or any methods you want, etc. Our contact information as bellow:

Please contact with:

DINGLI AWP INDIA PRIVATE LIMITED

Phone: +91-98846 48464

Email: support@dinglisaarc.com

Table of Contents

Section 1 Chassis

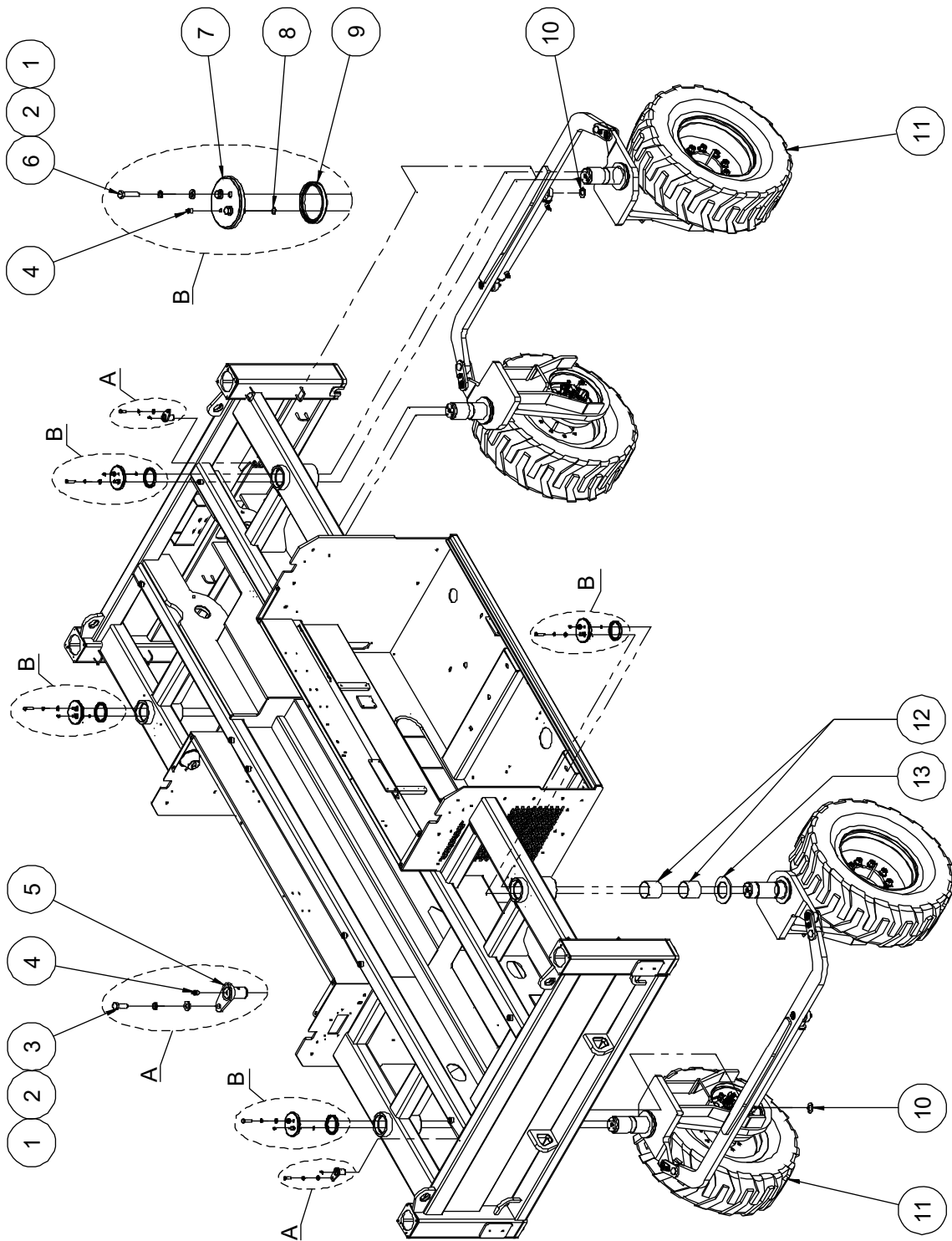
101.1	Steer Linkage and Wheels Installation.....	2
102.1	Steer Linkage and Wheels Assembly	4
103.1	Motor Assembly	7
104.1	Right Tray Door Installation.....	8
105.1	Right Tray Assembly	11
106.1	Hydraulic Tank Assembly	14
107.1	Filter Assembly	17
108.1	Fuel Filter Assembly.....	18
109.1	Cooling System Assembly.....	19
110.1	Intake System and Exhaust System (EU Stage V Engine)	22
110.2	Intake System and Exhaust System (EU Stage IIIB Engine).....	24
111.1	Engine Assembly Installation	26
112.1	Engine Assembly (EU Stage V Engine).....	28
112.2	Engine Assembly (EU Stage IIIB Engine).....	31
113.1	Fuel Filter Assembly (EU Stage V Engine).....	34
113.2	Fuel Filter Assembly (EU Stage IIIB Engine)	35
114.1	Left Tray Door Installation.....	36
115.1	Left Tray Assembly 1	39
116.1	Left Tray Assembly 2.....	42
117.1	Fuel Tank Assembly	45
118.1	Manual Pump Assembly	47
119.1	Flow Control Manifold (option).....	48
120.1	Ground Control Installation.....	50
121.1	Ground Control Box Support Assembly	51
122.1	Ground Control Box Assembly (EU Stage V Engine)	53
122.2	Ground Control Box Assembly (EU Stage IIIB Engine).....	56
123.1	High Pressure Line Filter Assembly.....	59
124.1	Alternator Assembly (option)	60
125.1	Function Manifold Assembly.....	61
126.1	Drive Manifold Assembly	62
127.1	Oil Cooler Assembly.....	63
128.1	Outriggers Assembly	65
129.1	Ladder and Chassis Accessory Installation	68

130.1	Outrigger Plate (Option).....	71
131.1	power switch assembly (Optional)	72
Section 2 Scissor		
201.1	Scissor Arms Installation	74
202.1	Scissor Arm pin joint A	76
203.1	Scissor Arm pin joint B	77
204.1	Scissor Arm pin joint C	79
205.1	Scissor Arm pin joint D	80
206.1	Scissor Arm pin joint E	81
207.1	Scissor Arm pin joint F.....	82
208.1	Scissor Arm pin joint G	83
209.1	Scissor Arm pin joint H	84
210.1	Platform Slider Assembly	85
211.1	Lift cylinder and Scissor Accessory Installation	86
212.1	Rotary Sensor Assembly	88
Section 3 Platform		
301.1	Main Platform Assembly	91
302.1	Platform Extension Assembly	94
303.1	Platform Control Box Assembly	97
304.1	Top Telescopic Cylinder Assembly	98
305.1	Protective Device Assembly (Option).....	100
306.1	Footswitch Installation (Option).....	102
307.1	Platform cable plate.....	103
Section 4 Hydraulic System		
401.1	Lift Cylinder Assembly	106
402.1	Left Outrigger Cylinder Assembly.....	108
403.1	Right Outrigger Cylinder Assembly	110
404.1	Function Manifold	112
405.1	Drive Manifold	115
406.1	Counterbalance Manifold Assembly	117
407.1	Hydraulic Hoses and Fittings - Drive	118
408.1	Hydraulic Hoses and Fittings - Function.....	121
409.1	Hydraulic Hoses and Fittings - Outrigger	124
410.1	Hydraulic Hoses and Fittings - Alternator (Option).....	126
Section 5 Electrical System		
501.1	Electrical Harness (EU Stage V Engine)	129

501.2	Electrical Harness (EU Stage IIIB Engine)	132
502.1	Power to Platform	135
Section 6 Decal		
601.1	Decals with Words	138
602.1	Decals with Symbols	143
Section 7 Automatic Lubrication Systems		
701.1	Automatic Lubrication Systems - Chassis Components.....	149
702.1	Automatic Lubrication Systems - Scissor Components.....	151
703.1	Automatic Lubrication Systems - Hoses and Fittings.....	154
704.1	Automatic Lubrication Systems - Scissor Arms Installation.....	158
705.1	Automatic Lubrication Systems - Scissor Arm pin joint A.....	160
706.1	Automatic Lubrication Systems - Scissor Arm pin joint B.....	161
707.1	Automatic Lubrication Systems - Scissor Arm pin joint C.....	163
708.1	Automatic Lubrication Systems - Scissor Arm pin joint D.....	164
709.1	Automatic Lubrication Systems - Scissor Arm pin joint E.....	165
710.1	Automatic Lubrication Systems - Scissor Arm pin joint F.....	166
711.1	Automatic Lubrication Systems - Scissor Arm pin joint G.....	167
712.1	Automatic Lubrication Systems - Scissor Arm pin joint H.....	168
713.1	Automatic Lubrication Systems - Lift cylinder and Scissor Accessory Installation	169

Section 1 Chassis

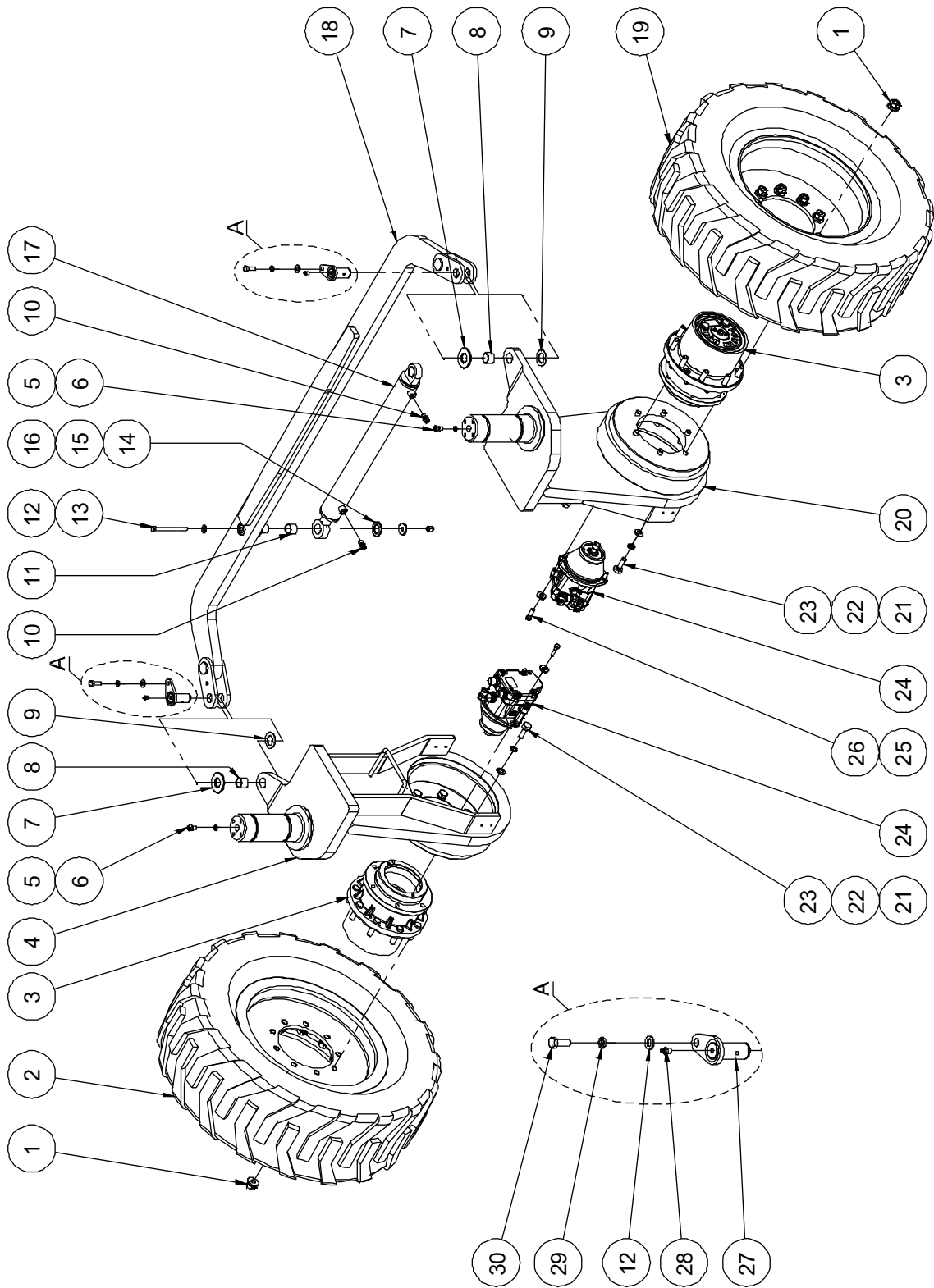
101.1 Steer Linkage and Wheels Installation



101.1 Steer Linkage and Wheels Installation

Item	Part No.	Description	Qty.
1	00000814	Washer GB/T 97.1 12	14
2	00000815	Washer GB/T 93 12	14
3	00002059	Bolt GB/T 5783 M12×30	2
4	00004483	Grease nipple GB/T 1152 M10×1	6
5	10010151	Pin	2
6	00001856	Bolt GB/T 5783 M12×50	12
7	10011489	Cover	4
8	00006127	O-ring GB/T 3452.1-14×1.8	4
9	00006126	Seal GB/T 13871.1 FB 90 110 12 III	4
10	00004610	8832-32 Bearing	2
11		Steer linkage and wheels assembly (refer to 102.1)	2
12	00006140	8812-909590A Bearing	8
13	10010961	Washer	4

102.1 Steer Linkage and Wheels Assembly



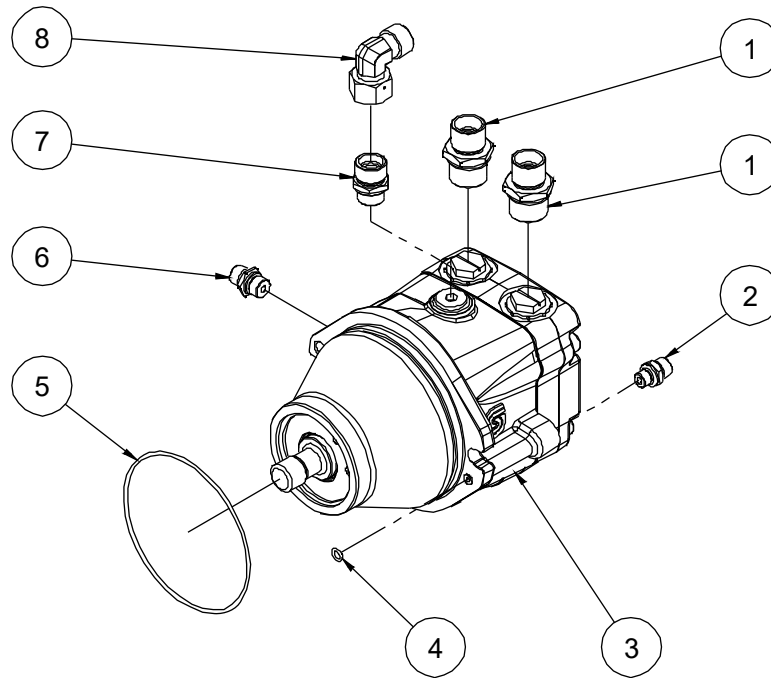
102.1 Steer Linkage and Wheels Assembly

Item	Part No.	Description	Qty.
1	00002274	5/8-18UNF Nut	18
2	00006319	Wheel (black)	1
	00006695	Wheel (grey)	1
3	00003957	Drive hub	2
4	10010951	Steer yoke weldment	1
5	00000679	Washer GB/T 93 10	2
6	00002249	Screw GB/T 70.1 M10×20	2
7	10010281	Washer	2
8	00006147	8812-303425A Bearing	2
9	00004610	8832-32 Bearing	2
10	00001282	Straight fitting	2
11	00000376	8812-303425 Bearing	2
12	00000814	Washer GB/T 97.1 12	3
13	00002012	Bolt GB/T 5782 M12×130	1
14	10013519	Washer	1
15	10010963	Washer	1
16	00001249	Nut GB/T 6182 M12	1
17	10014153	Steer cylinder assembly (without seal kit)	1
--	00007234	Seal kit	1
18	10010952	Tie rod weldment	1
19	00006318	Wheel (black)	1
	00006694	Wheel (grey)	1
20	10010956	Steer yoke weldment	1
21	00000997	Washer GB/T 97.1 16	12
22	00001035	Washer GB/T 93 16	12
23	00003103	5/8-11×1 3/4" Bolt ANSI B18.2.1	12
24		Motor assembly (refer to 103.1)	2
25	10002531	Washer	4
26	00003115	7/16-14×1 1/2" Bolt ANSI B18.2.1	4

102.1 Steer Linkage and Wheels Assembly

Item	Part No.	Description	Qty.
27	10010967	Pin	2
28	00004483	Grease nipple GB/T 1152 M10×1	2
29	00000815	Washer GB/T 93 12	2
30	00002059	Bolt GB/T 5783 M12×30	2

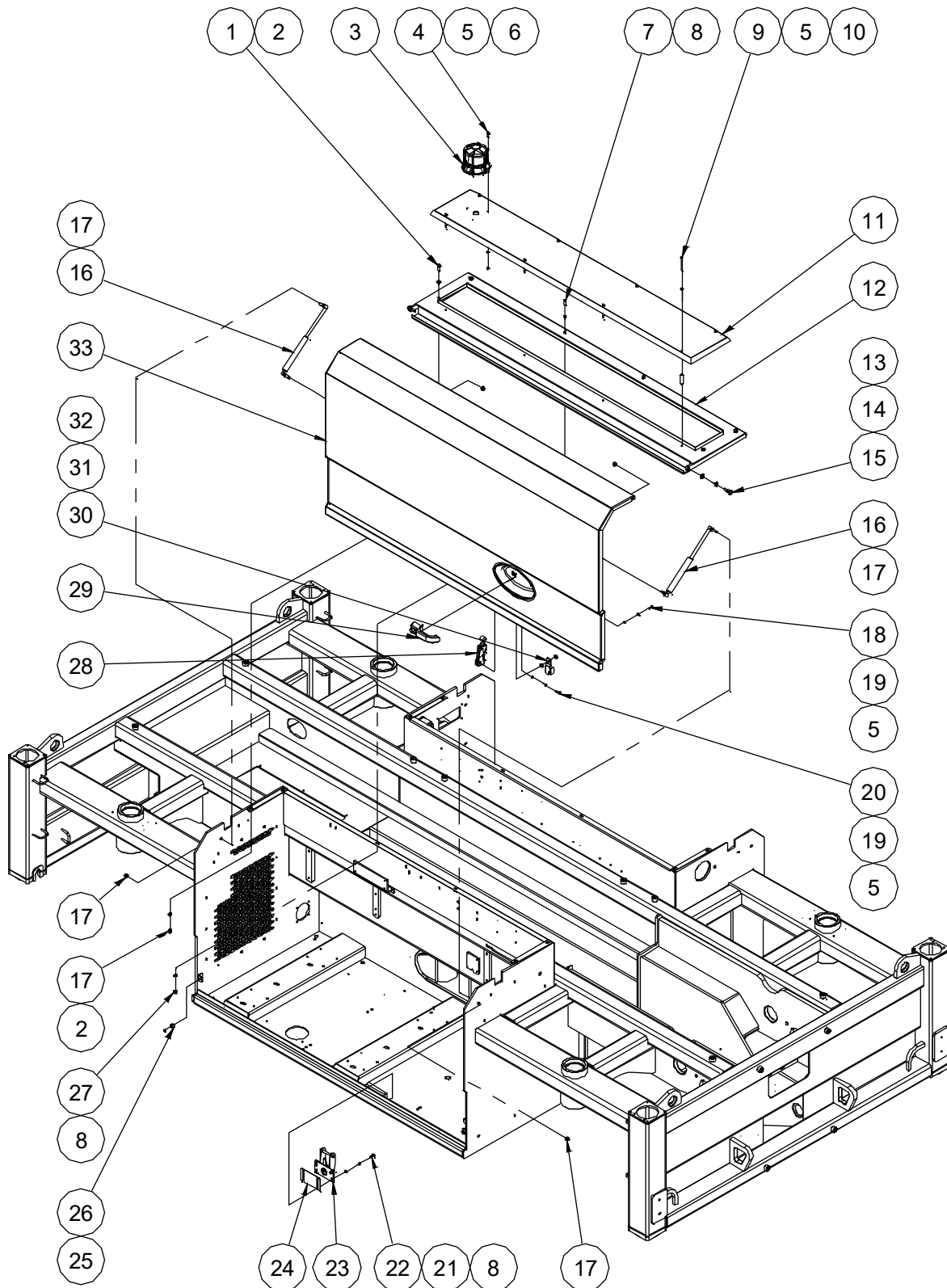
103.1 Motor Assembly



103.1 Motor Assembly

Item	Part No.	Description	Qty.
1	00002073	Straight fitting	2
2	00001769	Straight fitting	1
3	00003107	Motor	1
4	00001387	O-ring GB1235-76 10×1.9	1
5	00001542	O-ring As568A 120.32×2.62	1
6	00002072	Straight fitting	1
7	00001775	Straight fitting	1
8	00001835	Elbow	1

104.1 Right Tray Door Installation



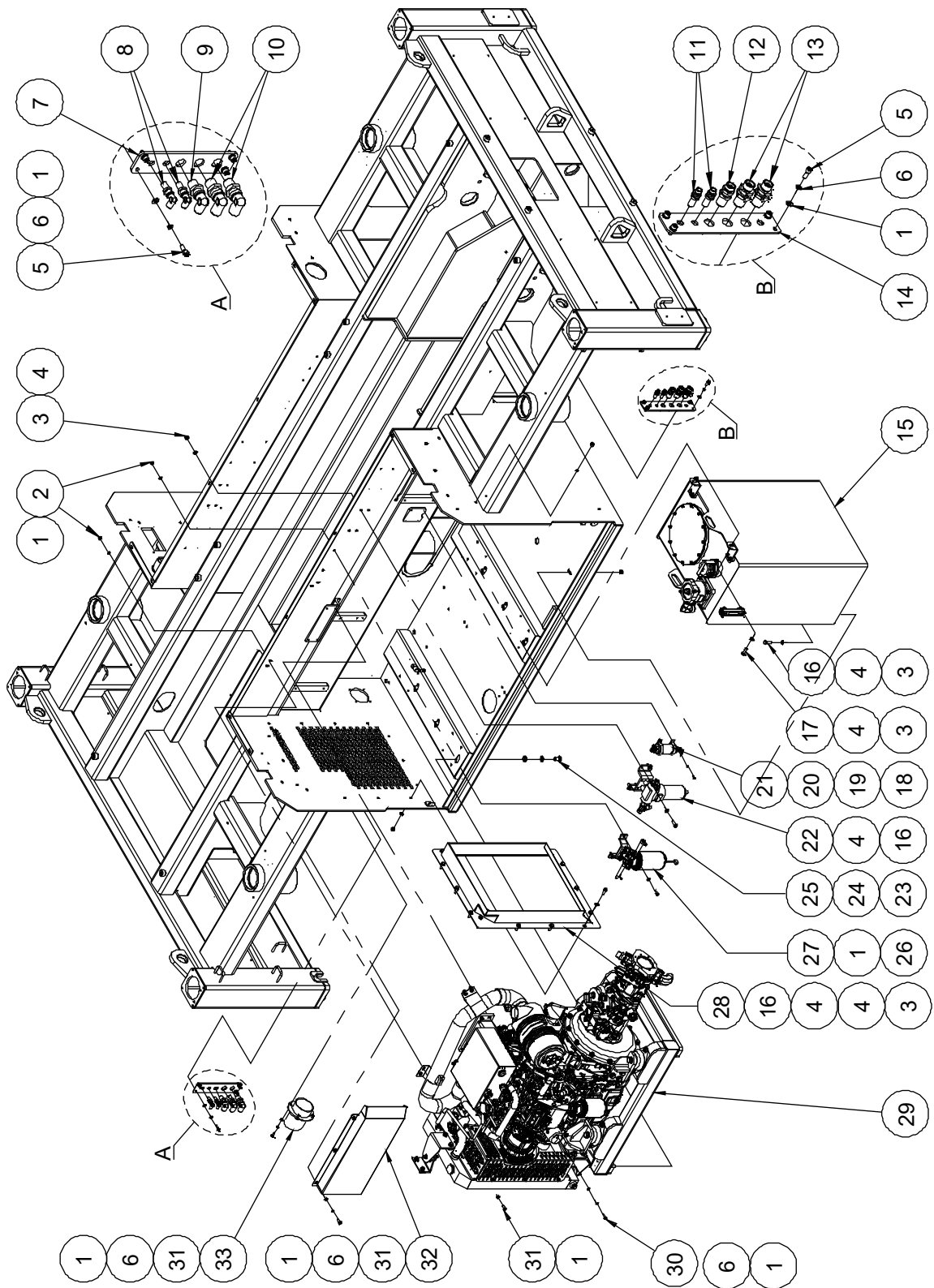
104.1 Right Tray Door Installation

Item	Part No.	Description	Qty.
1	00000678	Bolt GB/T 5783 M10×25	4
2	00000615	Washer GB/T 97.1 10	8
3	00004883	Beacon	1
4	00000774	Screw GB/T 70.1 M6×20	3
5	00000620	Washer GB/T 97.1 6	24
6	00001033	Nut GB/T 6182 M6	11
7	00000993	Bolt GB/T 5783 M8×25	2
8	00000608	Washer GB/T 97.1 8	8
9	00007023	Bolt GB/T 5782 M6×80	8
10	10010987	Spacer sleeve	8
11	10010986	Cover	1
12	10010941	Top panel	1
13	00001043	Washer GB/T 97.1 14	2
14	00001258	Washer GB/T 93 14	2
15	10010215	Pin	2
16	10010148	Gas shock	2
17	00000623	Nut GB/T 6182 M10	8
18	00000743	Bolt GB/T 5783 M6×20	3
19	00000621	Washer GB/T 93 6	5
20	00000619	Bolt GB/T 5783 M6×25	2
21	00000875	Bolt GB/T 5783 M8×20	4
22	00000609	Washer GB/T 93 8	4
23	10010254	Lock clasp	1
24	10010444	Washer	1
25	00002026	Screw GB/T 818 M4×10 - H	2
26	10000376	Bumper	2
27	00001163	Nut GB/T 6182 M8	2
28	10000481	Latch (left)	1
29	50000524	Handle	1

104.1 Right Tray Door Installation

Item	Part No.	Description	Qty.
30	10016135	Bracket	1
31	50000478	Threaded sleeve	1
32	50000479	Nut	1
33	10010185	Right door (EU Stage V Engine)	1
	10010240	Right door (EU Stage IIIB Engine)	1

105.1 Right Tray Assembly



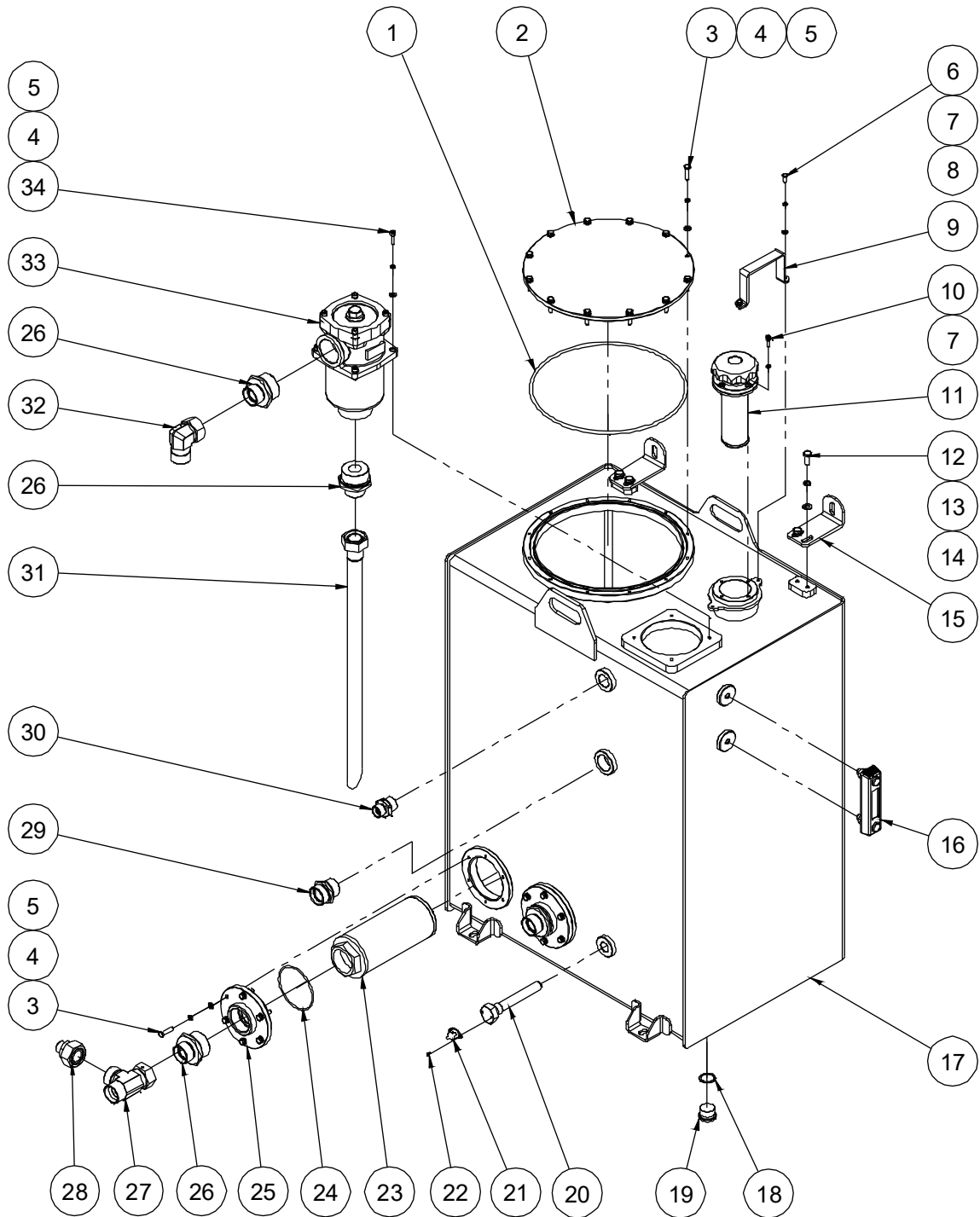
105.1 Right Tray Assembly

Item	Part No.	Description	Qty.
1	00000608	Washer GB/T 97.1 8	48
2	00001163	Nut GB/T 6182 M8	6
3	00000623	Nut GB/T 6182 M10	27
4	00000615	Washer GB/T 97.1 10	48
5	00001061	Screw GB/T 70.1 M8×20	8
6	00000609	Washer GB/T 93 8	44
7	10010270	Plate	1
8	00003867	Elbow	2
9	00003870	Elbow	1
10	00004349	Elbow	2
11	00002135	Straight fitting	2
12	00002138	Straight fitting	1
13	00002145	Straight fitting	2
14	10018478	Plate	1
15		Hydraulic tank assembly (refer to 106.1)	1
16	00000683	Bolt GB/T 5783 M10×30	20
17	00000684	Bolt GB/T 5783 M10×35	2
18	00000605	Washer GB/T 97.1 5	4
19	00000606	Washer GB/T 93 5	8
20	00003949	Bolt GB/T 5783 M5×16	4
21	90029469	Fuel pump	1
22		Filter assembly (refer to 107.1)	1
23	00000997	Washer GB/T 97.1 16	6
24	00001035	Washer GB/T 93 16	6
25	00006696	Bolt GB/T 5783 M16×25	6
26	00000993	Bolt GB/T 5783 M8×25	2
27		Fuel filter assembly (refer to 108.1)	1
28	10010213	Cooler shroud weldment	1

105.1 Right Tray Assembly

Item	Part No.	Description	Qty.
29		Engine installation assembly (refer to 109.1, 110.1, 110.2, 111.1)	1
30	00000995	Bolt GB/T 5783 M8×30	4
31	00000875	Bolt GB/T 5783 M8×20	32
32	10013267	Cover (EU Stage V Engine)	1
33	10013263	Exhaust pipe weldment (EU Stage V Engine)	1

106.1 Hydraulic Tank Assembly



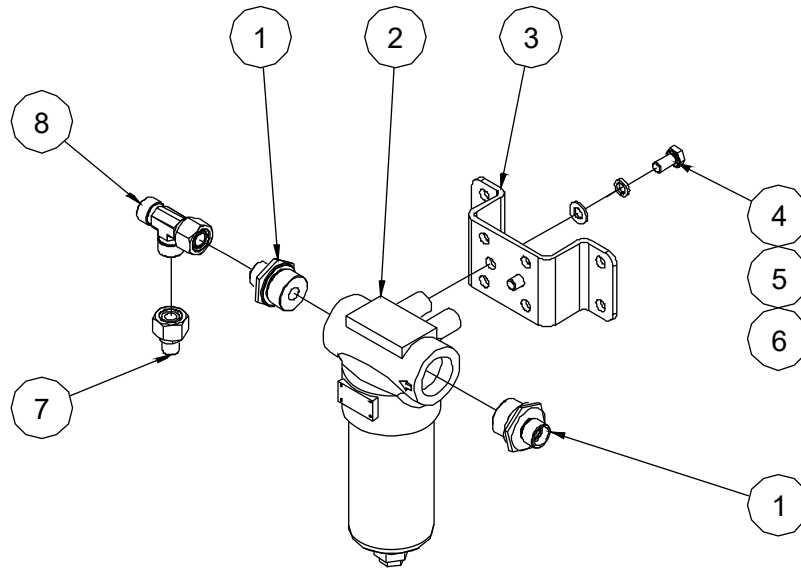
106.1 Hydraulic Tank Assembly

Item	Part No.	Description	Qty.
1	00004412	O-ring GB/T 3452.1-272×5.3	1
2	10011071	Cover weldment	1
3	00000619	Bolt GB/T 5783 M6×25	24
4	00000621	Washer GB/T 93 6	28
5	00000620	Washer GB/T 97.1 6	28
6	00002246	Bolt GB/T 5783 M5×12	2
7	00000606	Washer GB/T 93 5	6
8	00000605	Washer GB/T 97.1 5	2
9	10013558	Keeper bar	1
10	00001246	Screw GB/T 70.1 M5×16	4
11	00000520	Air cleaner	1
12	00000875	Bolt GB/T 5783 M8×20	4
13	00000609	Washer GB/T 93 8	4
14	00000608	Washer GB/T 97.1 8	4
15	10011836	Bracket	2
16	00001873	Level gauge	1
17	10013570	Hydraulic tank weldment	1
18	50000523	Washer	1
19	50000197	G3/4 Plug	1
20	10005917	Plug	1
21	00003376	Temperature switch	1
22	00003548	Screw GB/T 818 M3×6 - H	2
23	00001872	Suction filter	2
24	00001536	O-ring As568A 82.22×2.62	2
25	50001442	Flange	2
26	00003964	Straight fitting	4
27	00001242	Tee fitting	1
28	00003844	Straight fitting	1
29	00002071	Straight fitting	1

106.1 Hydraulic Tank Assembly

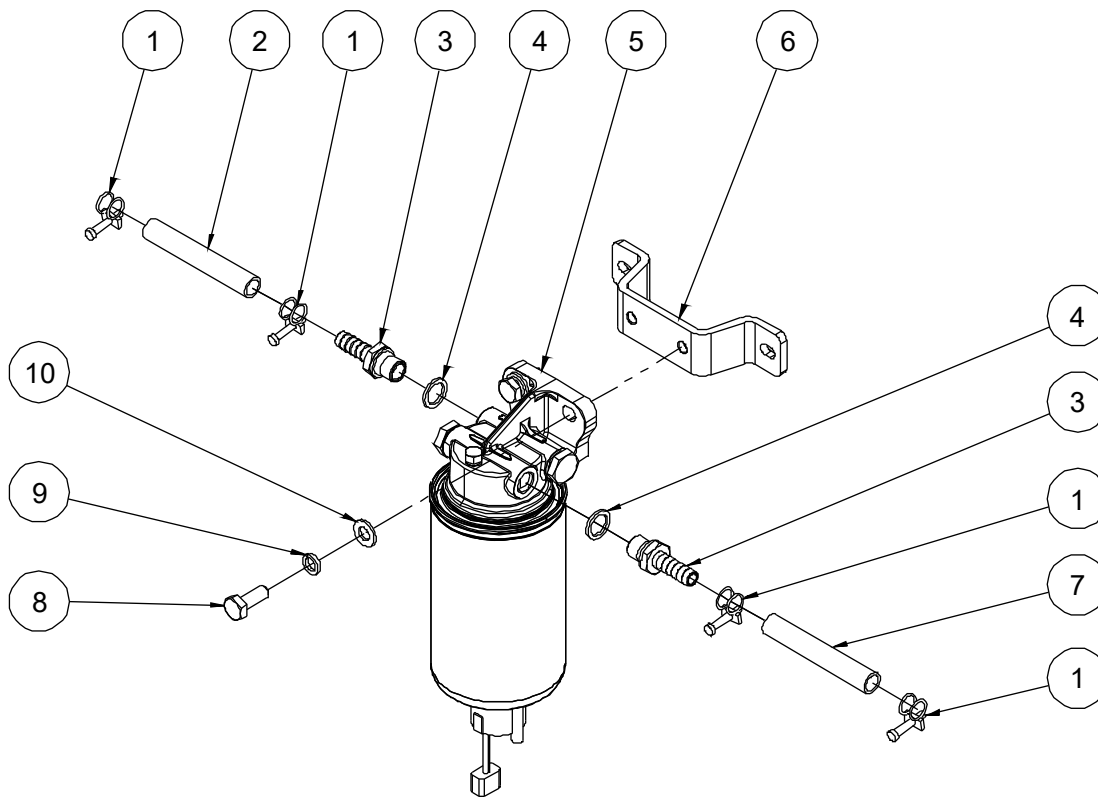
Item	Part No.	Description	Qty.
30	00006556	Straight fitting	1
31	10011561	Pipe	1
32	00001837	Elbow	1
33	00001869	Return filter	1
--	00004706	Filter element	1
34	00000774	Screw GB/T 70.1 M6×20	4

107.1 Filter Assembly



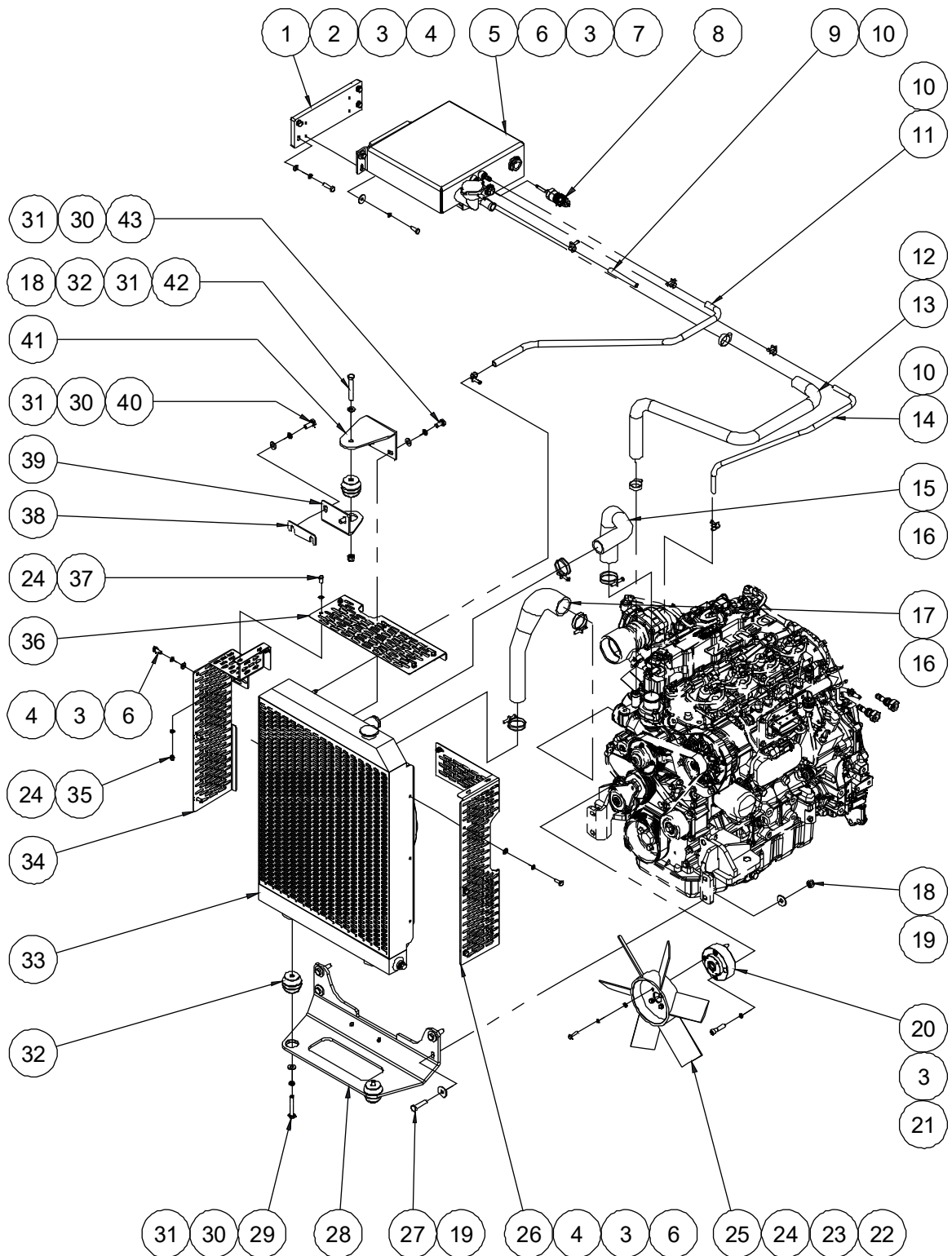
107.1 Filter Assembly

Item	Part No.	Description	Qty.
1	00002069	Straight fitting	2
2	00001870	High pressure line filter	1
--	00004697	Filter element	1
3	50002311	Filter bracket	1
4	00000674	Bolt GB/T 5783 M10×20	2
5	00000679	Washer GB/T 93 10	2
6	00000615	Washer GB/T 97.1 10	2
7	00005926	Straight fitting	1
8	00001240	Tee fitting	1

108.1 Fuel Filter Assembly**108.1 Fuel Filter Assembly**

Item	Part No.	Description	Qty.
1	50001592	Clamp	4
2	10004735	Hose	1
3	00004495	Fitting	2
4	00001335	Washer JB/T 982 16	2
5	90029468	Fuel filter	1
--	90031462	Filter element	1
6	10004734	Fuel filter bracket	1
7	10004736	Hose	1
8	00000678	Bolt GB/T 5783 M10×25	2
9	00000679	Washer GB/T 93 10	2
10	00000615	Washer GB/T 97.1 10	2

109.1 Cooling System Assembly



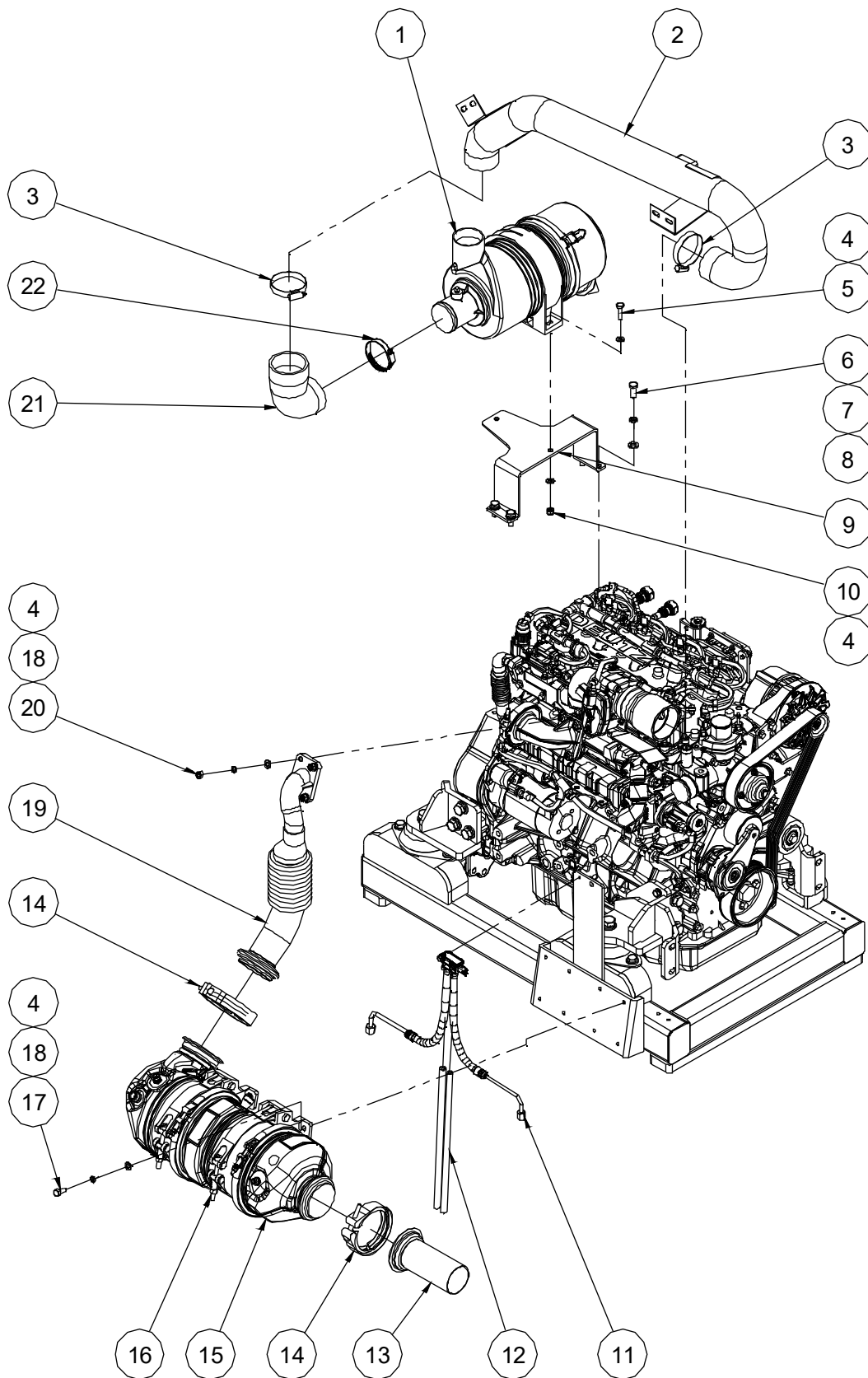
109.1 Cooling System Assembly

Item	Part No.	Description	Qty.
1	10014343	Bottle bracket	1
2	00000995	Bolt GB/T 5783 M8×30	4
3	00000609	Washer GB/T 93 8	18
4	00000608	Washer GB/T 97.1 8	10
5	92101233	Coolant recovery bottle	1
6	00000875	Bolt GB/T 5783 M8×20	10
7	00002000	Washer GB/T 96.1 8	4
8	00002595	Coolant level switch (EU Stage V Engine)	1
9	10004758	Hose	1
10	50001592	Clamp	5
11	10010312	Hose	1
12	90005077	Clamp	2
13	10010313	Hose	1
14	10010311	Hose	1
15	10004753	Hose	1
16	50001582	Clamp	4
17	10004754	Hose	1
18	00000623	Nut GB/T 6182 M10	5
19	00001028	Washer GB/T 96.1 10	9
20	10004747	spacer	1
21	00000744	Screw GB/T 70.1 M8×40	4
22	00000619	Bolt GB/T 5783 M6×25	4
23	00000621	Washer GB/T 93 6	4
24	00000620	Washer GB/T 97.1 6	18
25	10003948	Fan	1
26	10004749	Cover	1
27	00001041	Bolt GB/T 5783 M10×40	4
28	10004739	Cooler bracket	1
29	00001984	Bolt GB/T 5782 M10×60	2

109.1 Cooling System Assembly

Item	Part No.	Description	Qty.
30	00000679	Washer GB/T 93 10	6
31	00000615	Washer GB/T 97.1 10	7
32	00002251	Bumper	3
33	10004745	Cooler	1
34	10010292	Cover (EU Stage V Engine)	1
	10004748	Cover (EU Stage IIIB Engine)	1
35	00001033	Nut GB/T 6182 M6	7
36	10010293	Cover (EU Stage V Engine)	1
	10004750	Cover (EU Stage IIIB Engine)	1
37	00000818	Bolt GB/T 5783 M6×16	7
38	10013435	Adjusting plate	1
39	10013434	Cooler bracket	1
40	00000678	Bolt GB/T 5783 M10×25	2
41	10013433	Cooler bracket	1
42	00002512	Bolt GB/T 5783 M10×70	1
43	00000674	Bolt GB/T 5783 M10×20	2

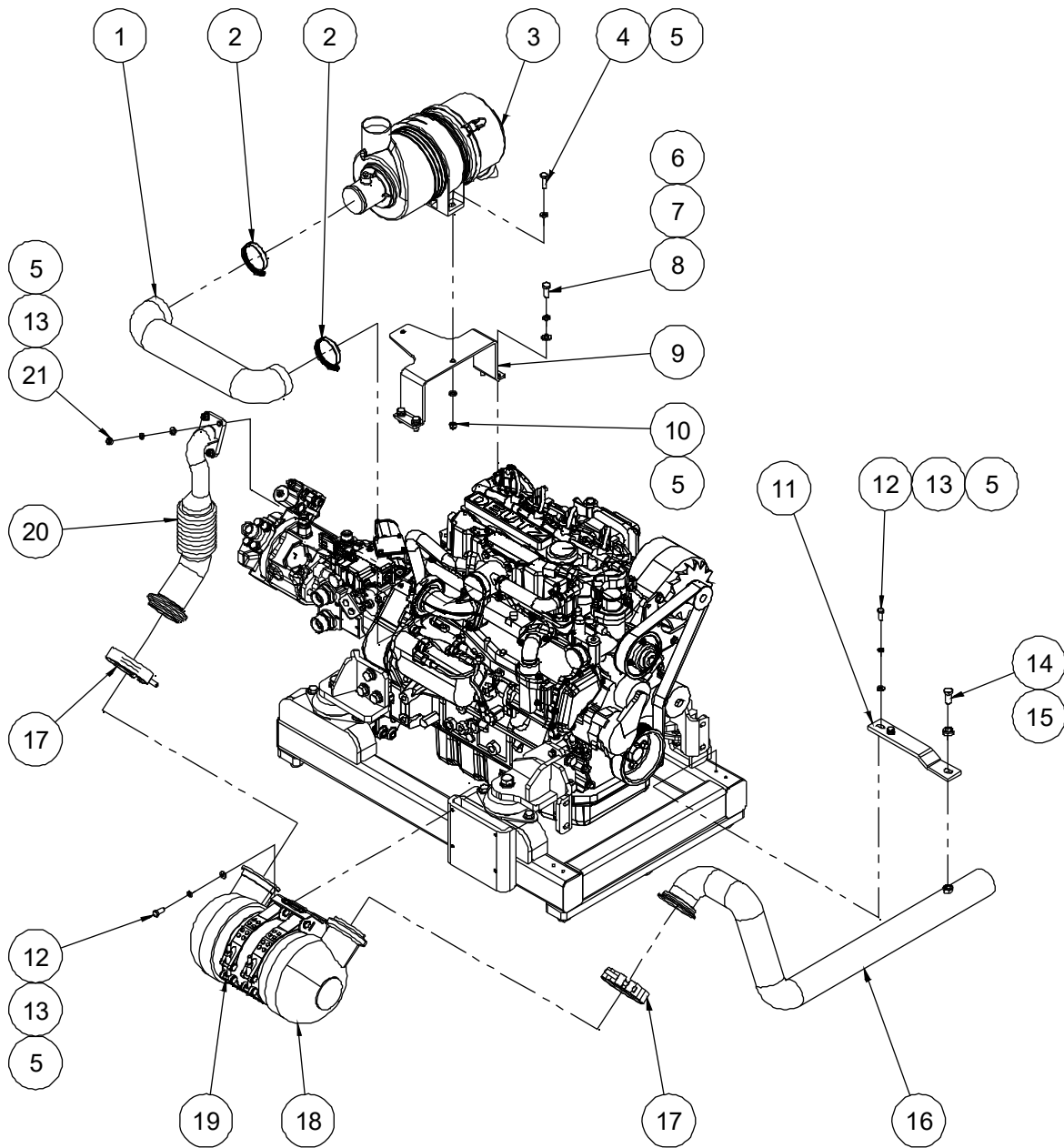
110.1 Intake System and Exhaust System (EU Stage V Engine)



110.1 Intake System and Exhaust System (EU Stage V Engine)

Item	Part No.	Description	Qty.
1	10003952	Air cleaner	1
--	10001393	Filter element (inner)	1
--	10004082	Filter element (outer)	1
2	10010290	inlet pipe weldment	1
3	00003733	Clamp	2
4	00000608	Washer GB/T 97.1 8	16
5	00000995	Bolt GB/T 5783 M8×30	2
6	00000678	Bolt GB/T 5783 M10×25	4
7	00000679	Washer GB/T 93 10	4
8	00000615	Washer GB/T 97.1 10	4
9	10004761	Air cleaner bracket	1
10	00001163	Nut GB/T 6182 M8	2
11	00006582	Differential pressure sensor	1
12	10013436	Hose	2
13	10010304	Exhaust pipe weldment	1
14	90029480	Clamp	2
15	00006324	Muffler	1
16	10010294	Muffler clip	2
17	00000875	Bolt GB/T 5783 M8×20	8
18	00000609	Washer GB/T 93 8	12
19	10010123	Exhaust pipe weldment	1
20	00000610	Nut GB/T 6170 M8	4
21	10010286	Hose	1
22	50001583	Clamp	1

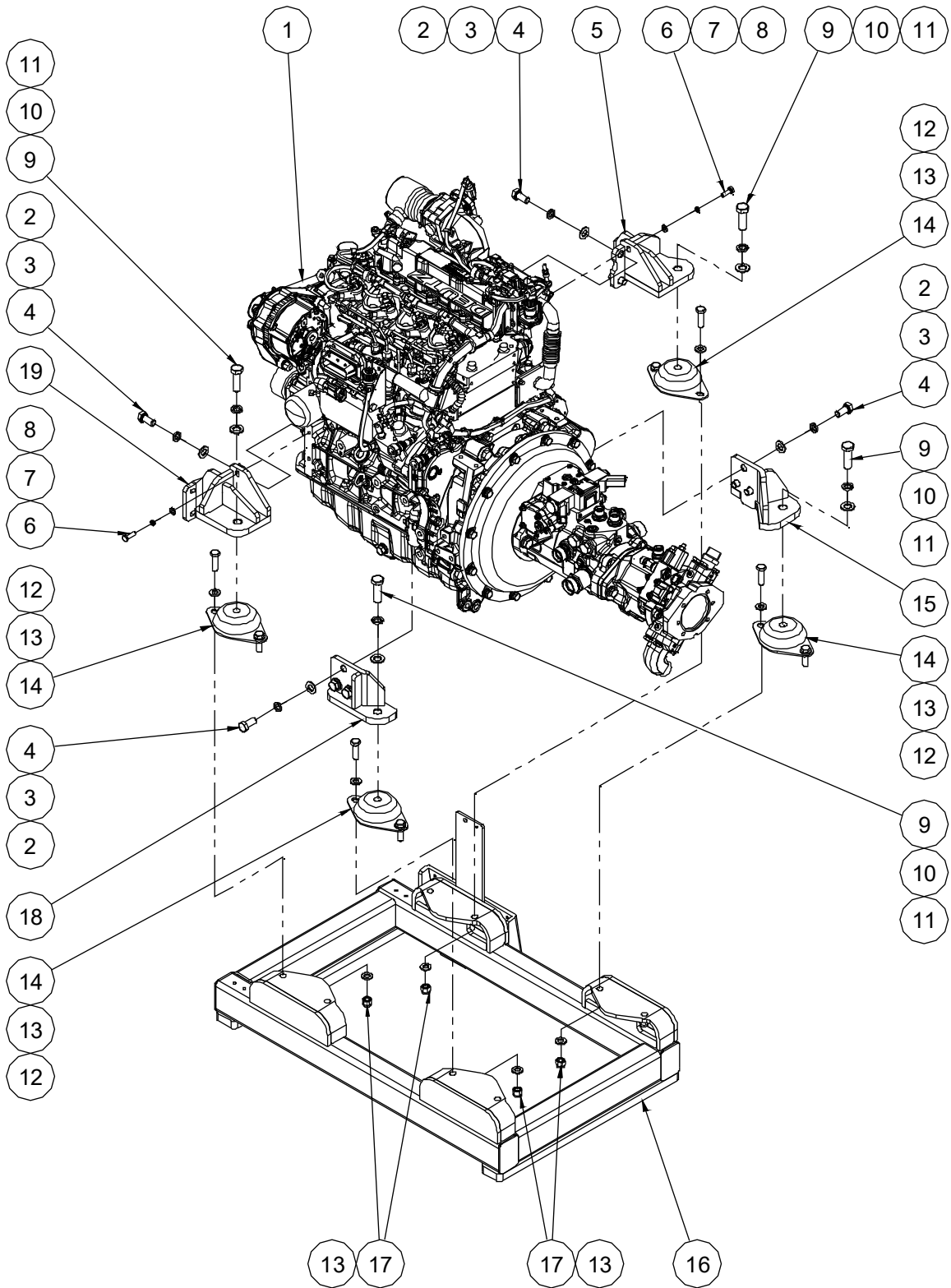
110.2 Intake System and Exhaust System (EU Stage IIIB Engine)



110.2 Intake System and Exhaust System (EU Stage IIIB Engine)

Item	Part No.	Description	Qty.
1	10004760	Hose	1
2	50001583	Clamp	2
3	10003952	Air cleaner	1
--	10001393	Filter element (inner)	1
--	10004082	Filter element (outer)	1
4	00000995	Bolt GB/T 5783 M8×30	2
5	00000608	Washer GB/T 97.1 8	14
6	00000615	Washer GB/T 97.1 10	4
7	00000679	Washer GB/T 93 10	4
8	00000678	Bolt GB/T 5783 M10×25	4
9	10004761	Air cleaner bracket	1
10	00001163	Nut GB/T 6182 M8	2
11	10010235	Exhaust pipe fixing plate	1
12	00000875	Bolt GB/T 5783 M8×20	6
13	00000609	Washer GB/T 93 8	10
14	00000816	Bolt GB/T 5783 M12×25	1
15	10007937	Washer	1
16	10010234	Exhaust pipe weldment	1
17	90029480	Clamp	2
18	90029479	Muffler	1
19	90029478	Muffler clip	1
20	10010123	Exhaust pipe weldment	1
21	00000610	Nut GB/T 6170 M8	4

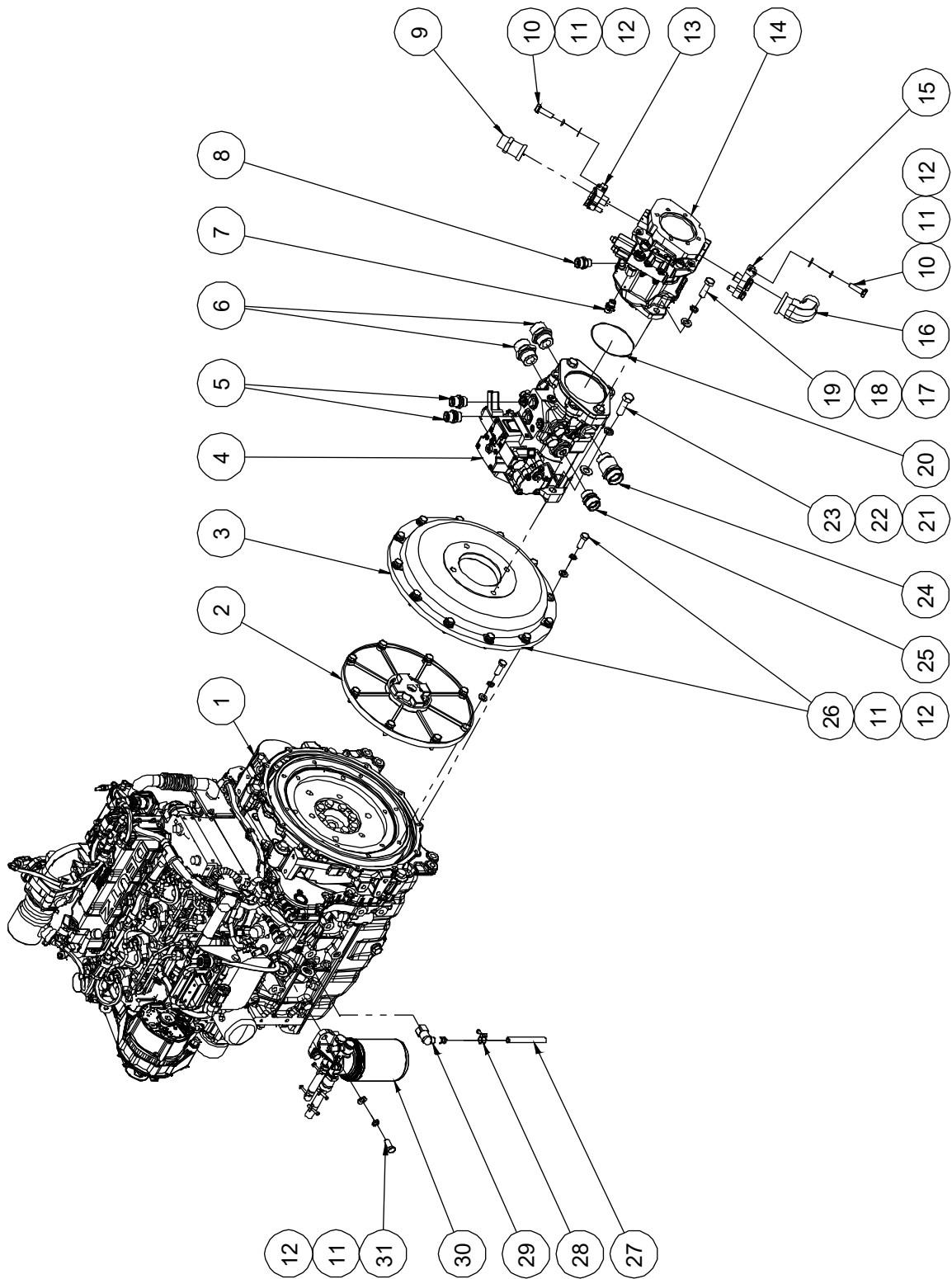
111.1 Engine Assembly Installation



111.1 Engine Assembly Installation

Item	Part No.	Description	Qty.
1		Engine assembly (refer to 112.1, 112.2)	1
2	00001043	Washer GB/T 97.1 14	10
3	00001258	Washer GB/T 93 14	10
4	00001259	Bolt GB/T 5783 M14×30	10
5	10004710	Engine bracket	1
6	00000993	Bolt GB/T 5783 M8×25	2
7	00000609	Washer GB/T 93 8	2
8	00000608	Washer GB/T 97.1 8	2
9	00001036	Bolt GB/T 5783 M16×50	4
10	00001035	Washer GB/T 93 16	4
11	00000997	Washer GB/T 97.1 16	4
12	00001055	Bolt GB/T 5783 M12×40	8
13	00000814	Washer GB/T 97.1 12	16
14	10004820	Absorber	4
15	10004702	Engine bracket	1
16	10010295	Engine tray weldment (EU Stage V Engine)	1
	10010227	Engine tray weldment (EU Stage IIIB Engine)	1
17	00001249	Nut GB/T 6182 M12	8
18	10004706	Engine bracket	1
19	10004715	Engine bracket	1

112.1 Engine Assembly (EU Stage V Engine)



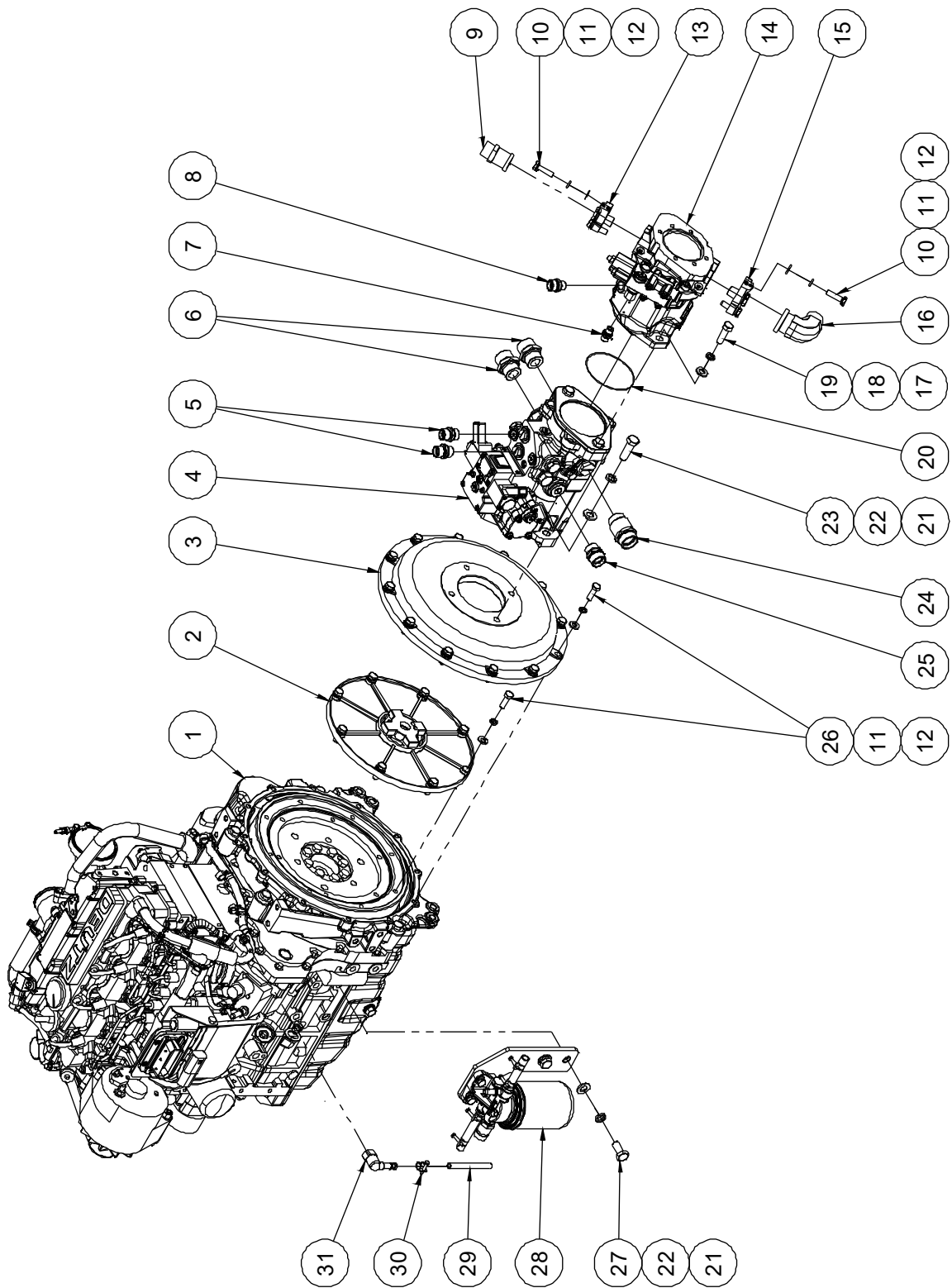
112.1 Engine Assembly (EU Stage V Engine)

Item	Part No.	Description	Qty.
1	10008264	Engine	1
2	00002745	Coupler	1
3	50004663	Adapter	1
4	00006621	Piston pump	1
5	00001776	Straight fitting	2
6	00001790	Straight fitting	2
7	00001290	Straight fitting	1
8	00001264	Straight fitting	1
9	00006180	Flange adapter	1
10	00000684	Bolt GB/T 5783 M10×35	8
11	00000679	Washer GB/T 93 10	30
12	00000615	Washer GB/T 97.1 10	30
13	90003625	Flange	1
14	90028882	Piston pump	1
15	90009892	Flange	1
16	00006427	Flange adapter	1
17	00000814	Washer GB/T 97.1 12	2
18	00000815	Washer GB/T 93 12	2
19	00001055	Bolt GB/T 5783 M12×40	2
20	00001691	O-ring As568A 101.32×1.78	1
21	00001043	Washer GB/T 97.1 14	2
22	00001258	Washer GB/T 93 14	2
23	00002217	Bolt GB/T 5783 M14×45	2
24	00006807	Straight fitting	1
25	00001780	Straight fitting	1
26	00000683	Bolt GB/T 5783 M10×30	20
27	10004772	Hose	1
28	50001592	Clamp	5
29	90023935	Fitting	1

112.1 Engine Assembly (EU Stage V Engine)

Item	Part No.	Description	Qty.
30		Fuel filter assembly (refer to 113.1)	1
31	00000678	Bolt GB/T 5783 M10×25	2

112.2 Engine Assembly (EU Stage III B Engine)



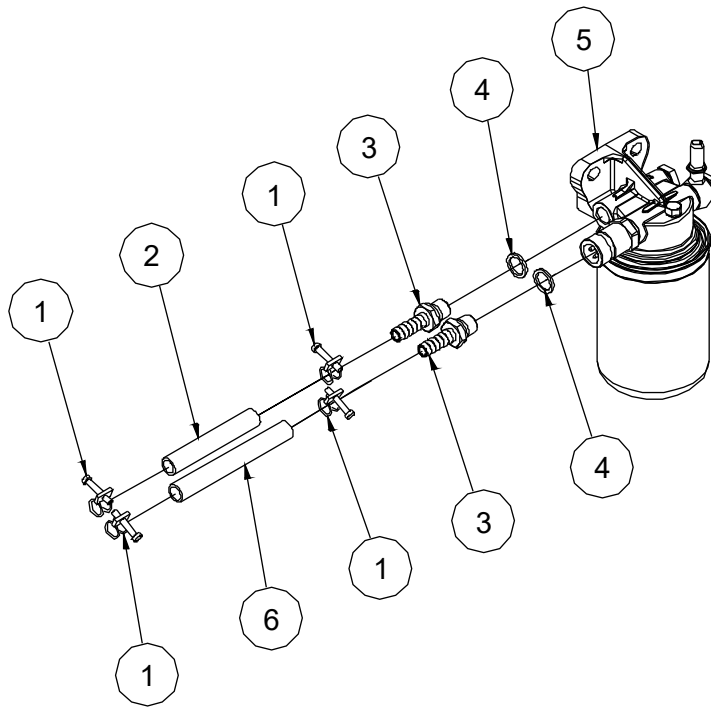
112.2 Engine Assembly (EU Stage III B Engine)

Item	Part No.	Description	Qty.
1	90128827	Engine	1
2	00002745	Coupler	1
3	50004663	Adapter	1
4	00006621	Piston pump	1
5	00001776	Straight fitting	2
6	00001790	Straight fitting	2
7	00001290	Straight fitting	1
8	00001264	Straight fitting	1
9	00006180	Flange adapter	1
10	00000684	Bolt GB/T 5783 M10×35	8
11	00000679	Washer GB/T 93 10	30
12	00000615	Washer GB/T 97.1 10	30
13	90003625	Flange	1
14	90028882	Piston pump	1
15	90009892	Flange	1
16	00006427	Flange adapter	1
17	00000814	Washer GB/T 97.1 12	2
18	00000815	Washer GB/T 93 12	2
19	00001055	Bolt GB/T 5783 M12×40	2
20	00001691	O-ring As568A 101.32×1.78	1
21	00001043	Washer GB/T 97.1 14	4
22	00001258	Washer GB/T 93 14	4
23	00002217	Bolt GB/T 5783 M14×45	2
24	00006807	Straight fitting	1
25	00001780	Straight fitting	1
26	00000683	Bolt GB/T 5783 M10×30	20
27	00001259	Bolt GB/T 5783 M14×30	2
28		Fuel filter assembly (refer to 113.2)	1
29	10004772	Hose	1

112.2 Engine Assembly (EU Stage IIIB Engine)

Item	Part No.	Description	Qty.
30	50001592	Clamp	5
31	90023935	Fitting	1

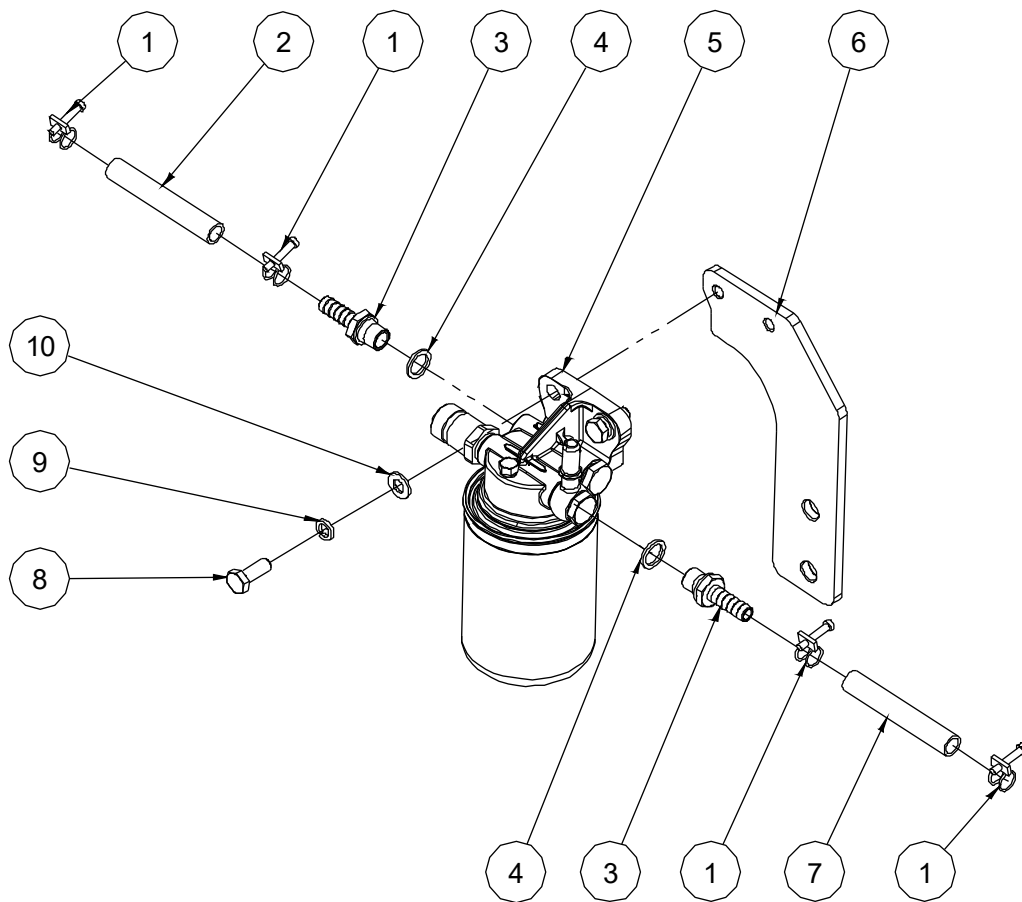
113.1 Fuel Filter Assembly (EU Stage V Engine)



113.1 Fuel Filter Assembly (EU Stage V Engine)

Item	Part No.	Description	Qty.
1	50001592	Clamp	4
2	10013269	Hose	1
3	00004495	Fitting	2
4	00001335	Washer JB/T 982 16	2
5	90029470	Fuel filter	1
--	90031463	Filter element	1
6	10013270	Hose	1

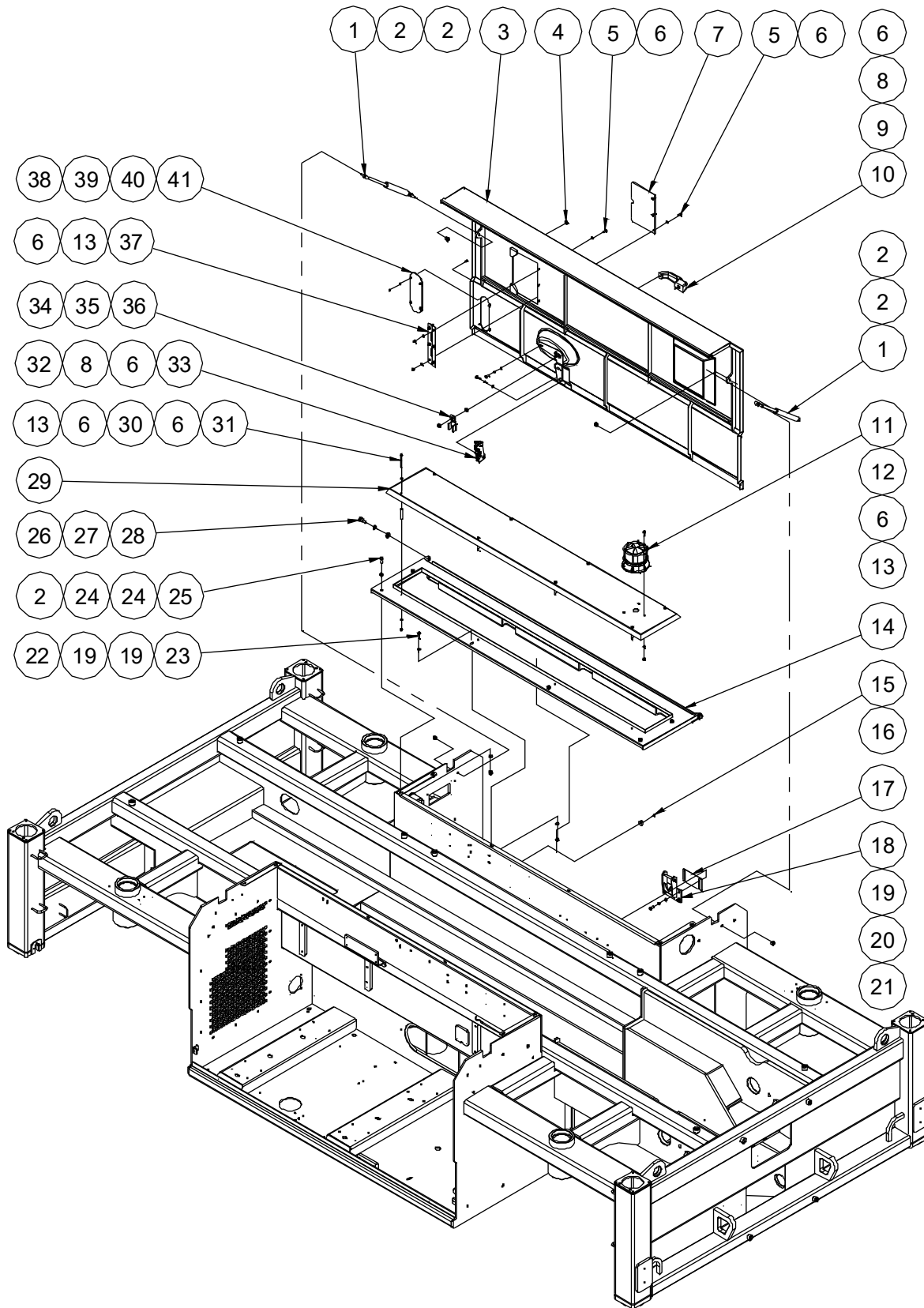
113.2 Fuel Filter Assembly (EU Stage III B Engine)



113.2 Fuel Filter Assembly (EU Stage III B Engine)

Item	Part No.	Description	Qty.
1	50001592	Clamp	4
2	10004729	Hose	1
3	00004495	Fitting	2
4	00001335	Washer JB/T 982 16	2
5	90029470	Fuel filter	1
--	90031463	Filter element	1
6	10004728	Fuel filter bracket	1
7	10004730	Hose	1
8	00000678	Bolt GB/T 5783 M10×25	2
9	00000679	Washer GB/T 93 10	2
10	00000615	Washer GB/T 97.1 10	2

114.1 Left Tray Door Installation



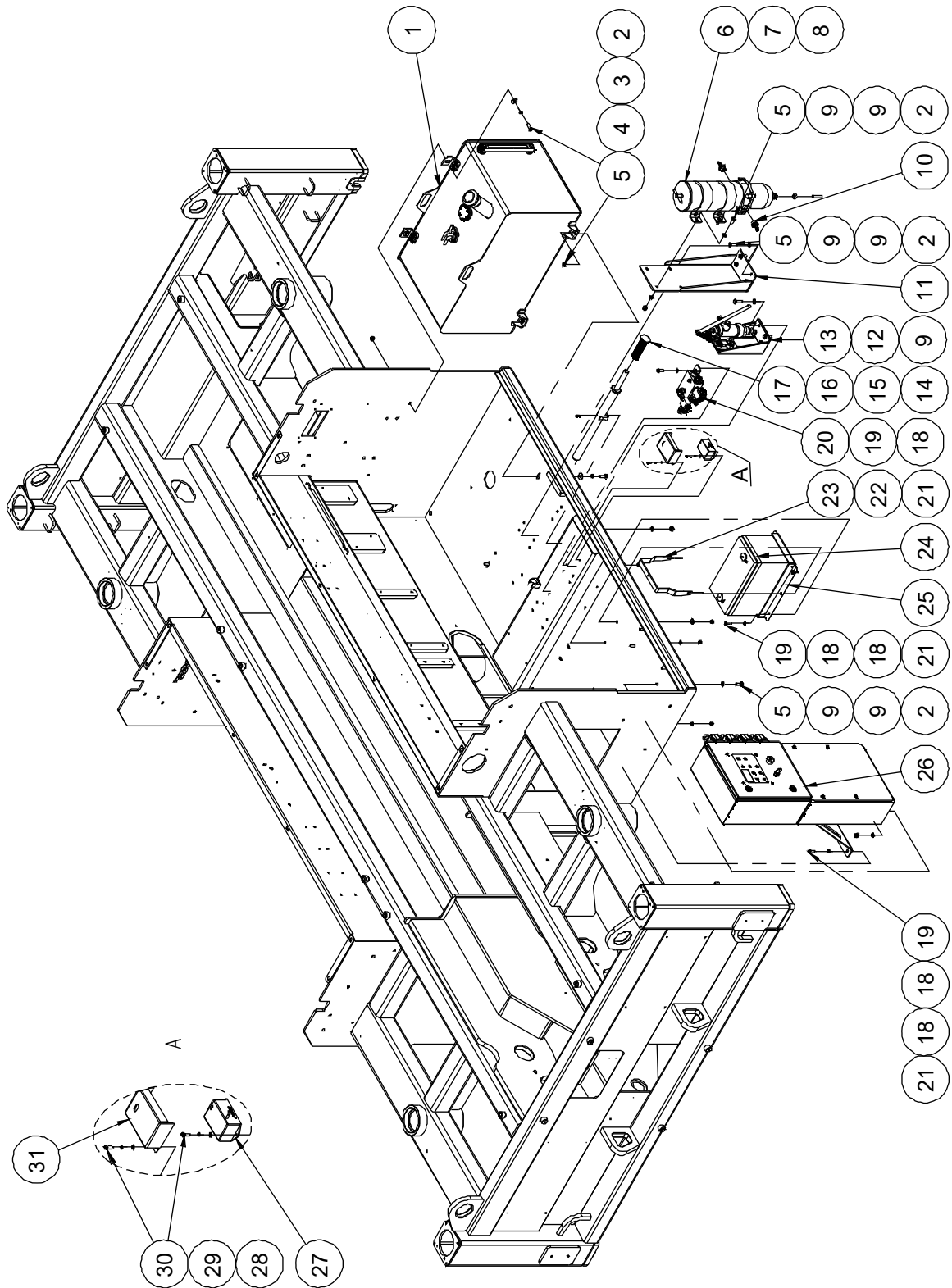
114.1 Left Tray Door Installation

Item	Part No.	Description	Qty.
1	10010148	Gas shock	2
2	00000623	Nut GB/T 6182 M10	8
3	10010143	Left door	1
4	10002550	Magnet	2
5	00001986	Screw GB/T 818 M6×16 - H	6
6	00000620	Washer GB/T 97.1 6	36
7	10010265	Fuel tank door	1
8	00000621	Washer GB/T 93 6	5
9	00000743	Bolt GB/T 5783 M6×20	3
10	50000524	Handle	1
11	00004883	Beacon	1
12	00000774	Screw GB/T 70.1 M6×20	3
13	00001033	Nut GB/T 6182 M6	17
14	10010941	Top panel	1
15	00002026	Screw GB/T 818 M4×10 - H	2
16	10000376	Bumper	2
17	10010444	Washer	1
18	10010254	Lock clasp	1
19	00000608	Washer GB/T 97.1 8	8
20	00000609	Washer GB/T 93 8	4
21	00000875	Bolt GB/T 5783 M8×20	4
22	00001163	Nut GB/T 6182 M8	2
23	00000993	Bolt GB/T 5783 M8×25	2
24	00000615	Washer GB/T 97.1 10	8
25	00000678	Bolt GB/T 5783 M10×25	4
26	00001043	Washer GB/T 97.1 14	2
27	00001258	Washer GB/T 93 14	2
28	10010215	Pin	2
29	10010986	Cover	1

114.1 Left Tray Door Installation

Item	Part No.	Description	Qty.
30	10010987	Spacer sleeve	8
31	00007023	Bolt GB/T 5782 M6×80	8
32	00000619	Bolt GB/T 5783 M6×25	2
33	10000481	Latch	1
34	50000478	Threaded sleeve	1
35	50000479	Nut	1
36	10016135	Bracket	1
37	10002660	Hinge	1
38	00001236	Nut GB/T 889.1 M4	4
39	00000778	Washer GB/T 97.1 4	4
40	00005259	Screw GB/T 819 M4×14 - H	4
41	10010264	PC plate	1

115.1 Left Tray Assembly 1



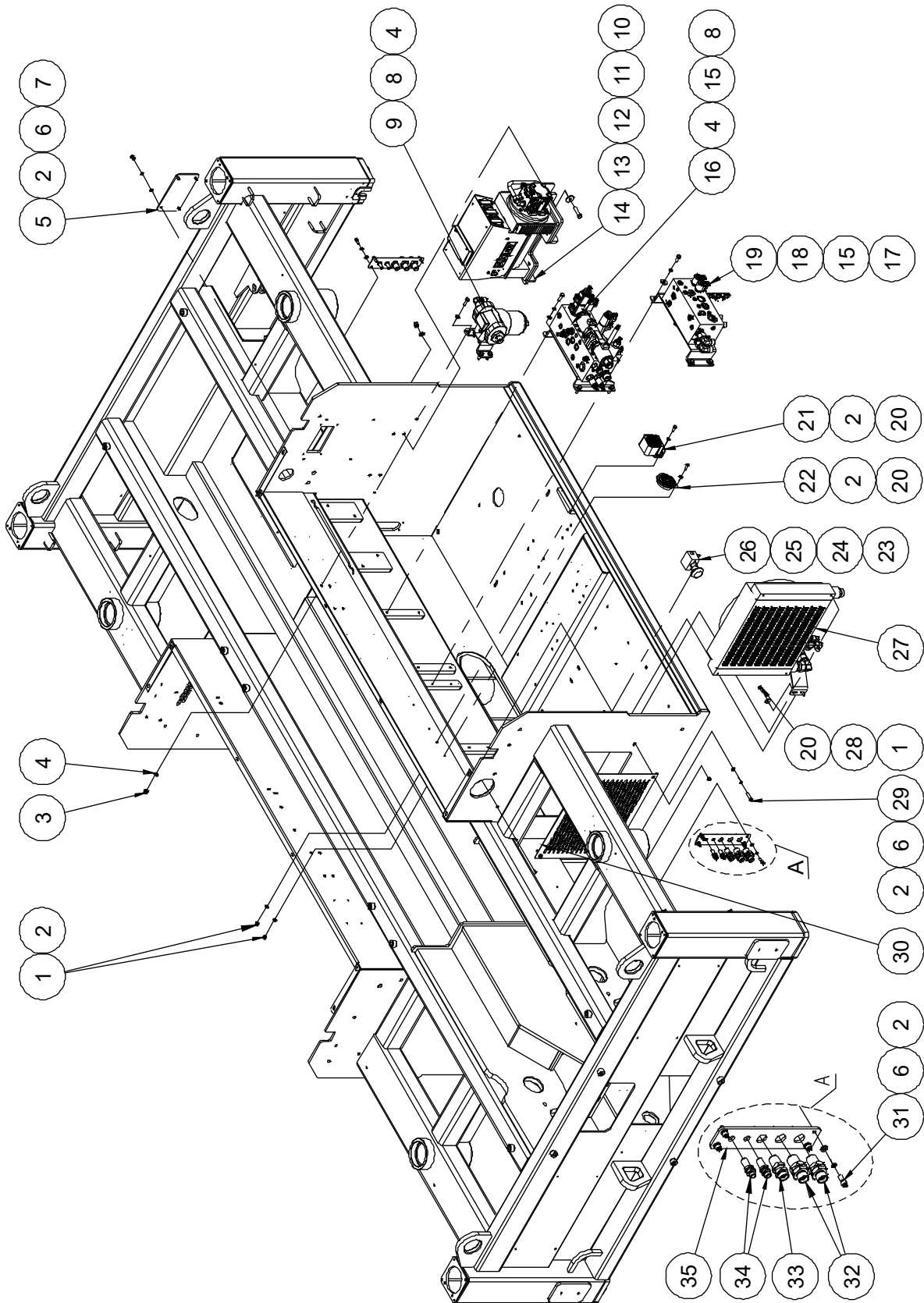
115.1 Left Tray Assembly 1

Item	Part No.	Description	Qty.
1		Fuel tank assembly (refer to 117.1)	1
2	00000623	Nut GB/T 6182 M10	20
3	00001028	Washer GB/T 96.1 10	4
4	00000679	Washer GB/T 93 10	8
5	00000683	Bolt GB/T 5783 M10×30	20
6	92000170	Oil-water separator (option)	1
7	92100158	Clamp (option)	1
8	10016487	Hose (option)	1
9	00000615	Washer GB/T 97.1 10	32
10	92000108	Pipe Fitting	2
11	10016126	Oil-water separator bracket (option)	1
12	00000684	Bolt GB/T 5783 M10×35	4
13		Manual pump assembly (refer to 118.1)	1
14	00001824	Clip 32	2
15	00002002	Screw GB/T 70.1 M4×10	2
16	10004795	Handle	1
17	10004798	Handle grip	1
18	00000608	Washer GB/T 97.1 8	20
19	00000993	Bolt GB/T 5783 M8×25	8
20		Flow control manifold (refer to 119.1) (option)	1
21	00001163	Nut GB/T 6182 M8	12
22	00002000	Washer GB/T 96.1 8	6
23	10010146	Battery strap	1
24	00004485	Battery	1
25	10010136	Battery box weldment	1
26		Ground control installation (refer to 120.1)	1
27	00003962	Tilt sensor	1
28	00000605	Washer GB/T 97.1 5	9
29	00000606	Washer GB/T 93 5	9

115.1 Left Tray Assembly 1

Item	Part No.	Description	Qty.
30	00001246	Screw GB/T 70.1 M5×16	4
31	10003942	Tilt sensor cover	1

116.1 Left Tray Assembly 2



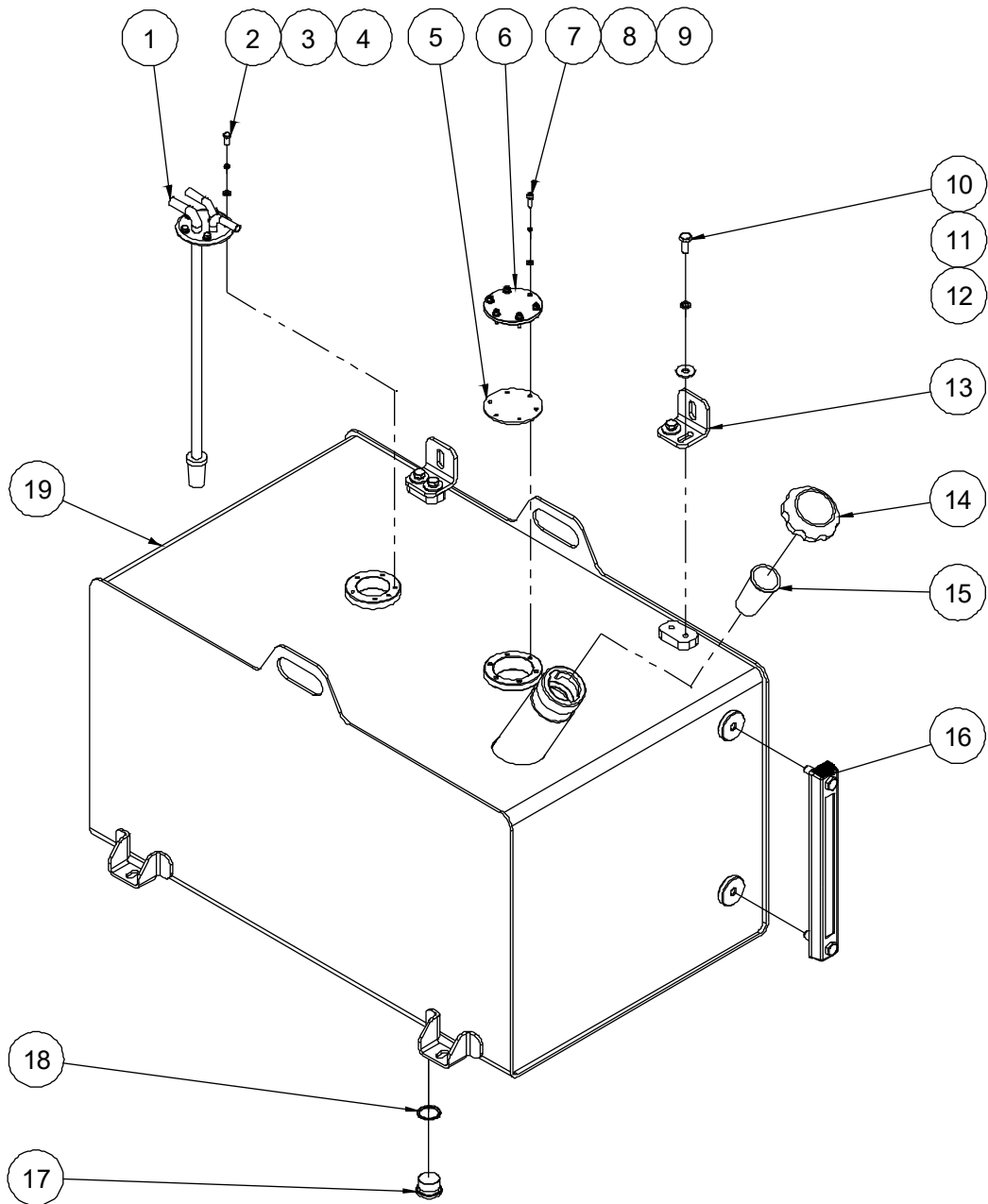
116.1 Left Tray Assembly 2

Item	Part No.	Description	Qty.
1	00001163	Nut GB/T 6182 M8	5
2	00000608	Washer GB/T 97.1 8	22
3	00000623	Nut GB/T 6182 M10	4
4	00000615	Washer GB/T 97.1 10	12
5	10010207	Plate	1
6	00000609	Washer GB/T 93 8	16
7	00001063	Bolt GB/T 5783 M8×16	4
8	00000683	Bolt GB/T 5783 M10×30	8
9		High pressure line filter assembly (refer to 123.1)	1
10	00001249	Nut GB/T 6182 M12	4
11	00000814	Washer GB/T 97.1 12	4
12	00002601	Washer GB/T 96.1 12	4
13	00004433	Bolt GB/T 5782 M12×50	4
14		Alternator assembly (option) (refer to 124.1)	1
15	00000679	Washer GB/T 93 10	4
16		Function manifold assembly (refer to 125.1)	1
17	00000678	Bolt GB/T 5783 M10×25	4
18	00001028	Washer GB/T 96.1 10	4
19		Drive manifold assembly (refer to 126.1)	1
20	00000993	Bolt GB/T 5783 M8×25	3
21	00004438	Alarm	1
22	00002212	Horn	1
23	00000607	Screw GB/T 818 M5×12 - H	2
24	00000606	Washer GB/T 93 5	2
25	00000605	Washer GB/T 97.1 5	2
26	00000655	Power switch	1
27		Oil cooler assembly (refer to 128.1)	1
28	00002000	Washer GB/T 96.1 8	2
29	00002488	Bolt GB/T 5783 M8×35	4

116.1 Left Tray Assembly 2

Item	Part No.	Description	Qty.
30	10018300	Oil cooler cover	1
31	00001061	Screw GB/T 70.1 M8×20	8
32	00002145	Straight fitting	4
33	00002138	Straight fitting	2
34	00002135	Straight fitting	4
35	10010270	Plate	2

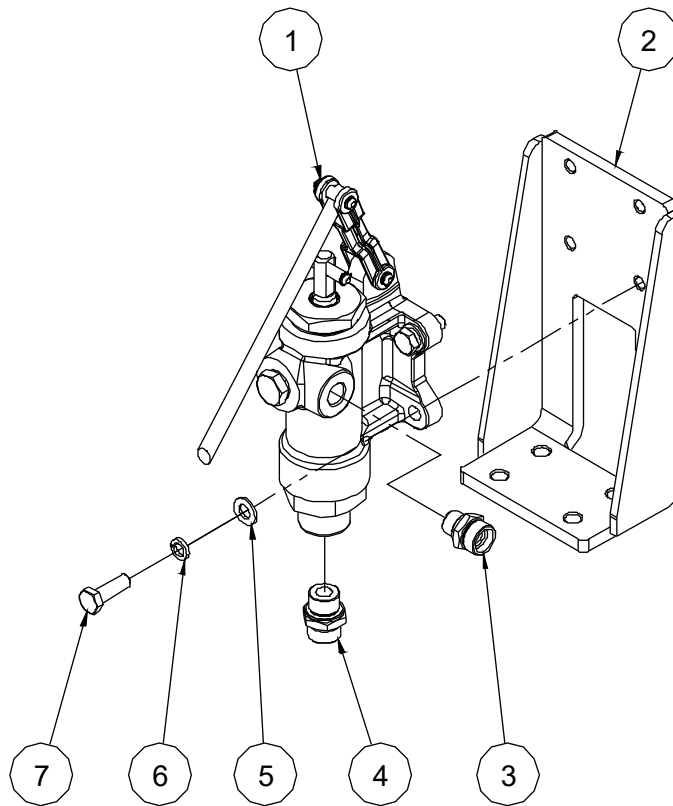
117.1 Fuel Tank Assembly



117.1 Fuel Tank Assembly

Item	Part No.	Description	Qty.
1	10011554	Pipe	1
2	00002246	Bolt GB/T 5783 M5×12	5
3	00000606	Washer GB/T 93 5	5
4	00000605	Washer GB/T 97.1 5	5
5	10004793	Rubber pad	1
6	10004792	Cover	1
7	00000604	Screw GB/T 70.1 M4×16	6
8	00000779	Washer GB/T 93 4	6
9	00000778	Washer GB/T 97.1 4	6
10	00000875	Bolt GB/T 5783 M8×20	4
11	00000609	Washer GB/T 93 8	4
12	00002000	Washer GB/T 96.1 8	4
13	50003005	Bracket	2
14	00002153	Tank cover	1
15	00002154	Filter web	1
16	00008091	Level gauge	1
17	50000197	G3/4 Plug	1
18	50000523	Washer	1
19	10011804	Fuel tank weldment	1

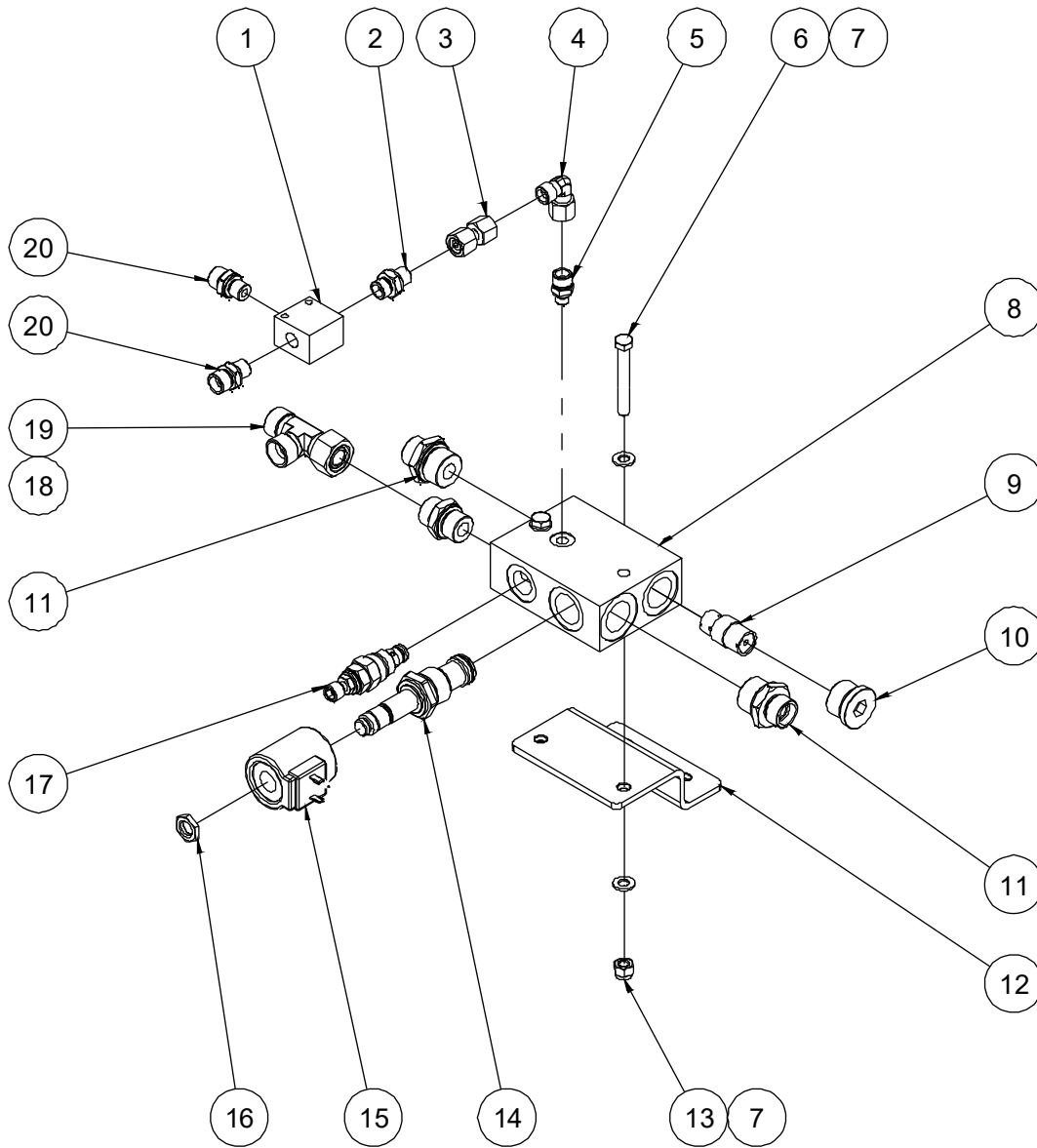
118.1 Manual Pump Assembly



118.1 Manual Pump Assembly

Item	Part No.	Description	Qty.
1	00000315	Manual pump	1
2	10004781	Manual pump bracket	1
3	00001507	Straight fitting	1
4	00001506	Straight fitting	1
5	00000615	Washer GB/T 97.1 10	4
6	00000679	Washer GB/T 93 10	4
7	00000683	Bolt GB/T 5783 M10×30	4

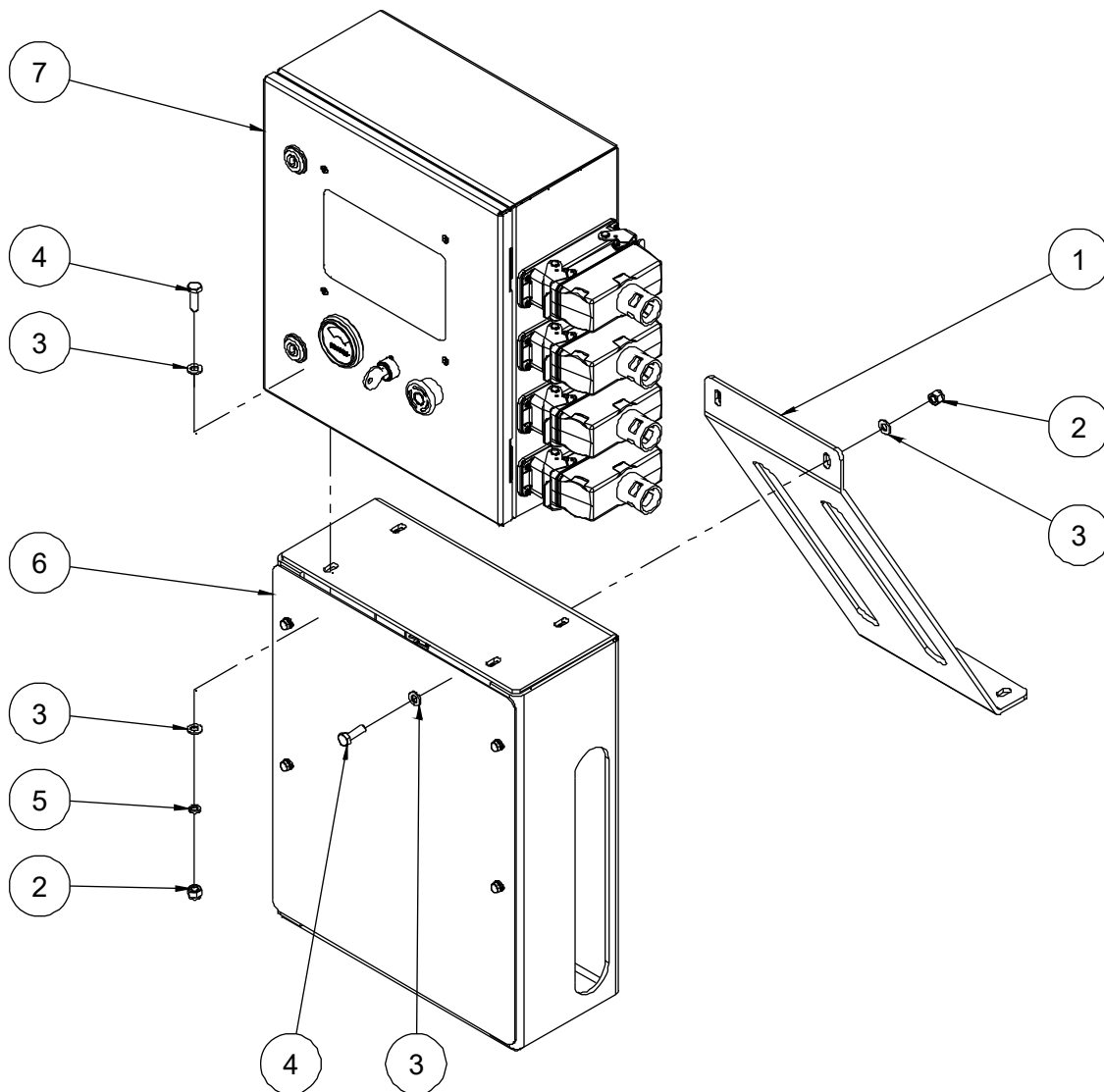
119.1 Flow Control Manifold (option)



119.1 Flow Control Manifold (option)

Item	Part No.	Description	Qty.
1	00005196	Shuttle valve	1
2	00001316	Straight fitting	1
3	00005208	Straight fitting	1
4	00001832	Elbow	1
5	00001314	Straight fitting	1
6	00001162	Bolt GB/T 5782 M8×60	2
7	00000608	Washer GB/T 97.1 8	4
8	00005385	Valve body	1
9	00008109	Flow control valve (L) (matching with Alternator 110V)	1
	00008110	Flow control valve (L) (matching with Alternator 220V)	1
10	00001115	Plug VSTI3/4ED	1
11	00001508	Straight fitting	2
12	10007389	Bracket	1
13	00001163	Nut GB/T 6182 M8	2
14	00005198	Solenoid valve spool (Ma)	1
15	00003287	Coil	1
16	00003017	Nut	1
17	00003780	Relief valve (RV5)	1
18	00001506	Straight fitting	1
19	00001240	Tee fitting	1
20	00001318	Straight fitting	2

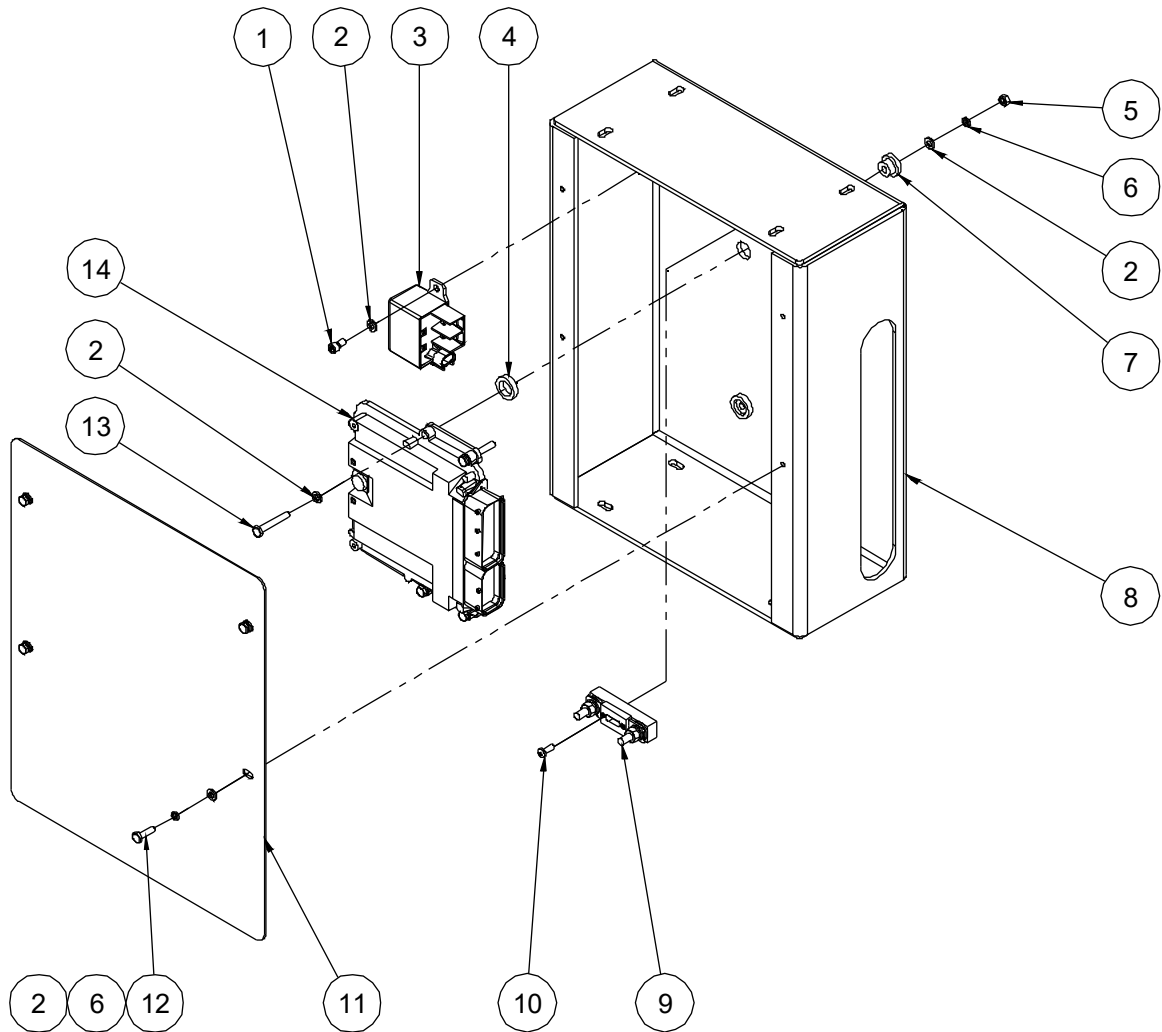
120.1 Ground Control Installation



120.1 Ground Control Installation

Item	Part No.	Description	Qty.
1	10009589	Bracket	1
2	00001163	Nut GB/T 6182 M8	6
3	00000608	Washer GB/T 97.1 8	12
4	00000993	Bolt GB/T 5783 M8×25	6
5	00000609	Washer GB/T 93 8	4
6		Ground control box support assembly (refer to 121.1)	1
7		Ground control box assembly (refer to 122.1, 122.2)	1

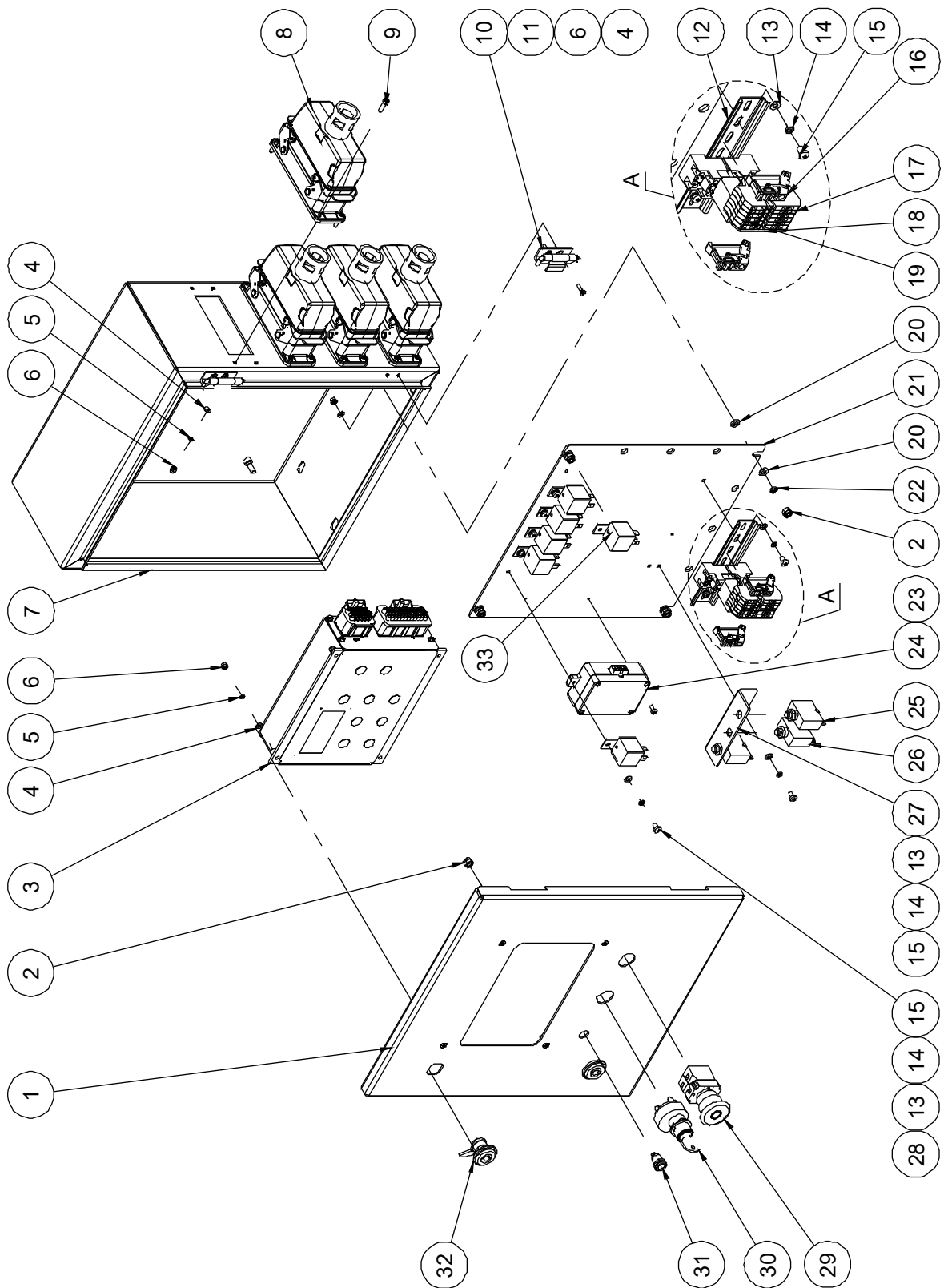
121.1 Ground Control Box Support Assembly



121.1 Ground Control Box Support Assembly

Item	Part No.	Description	Qty.
1	00002029	Screw GB/T 70.1 M6×12	2
2	00000620	Washer GB/T 97.1 6	14
3	00002918	DC Contactor	1
4	50002380	Nylon insulator	4
5	00002247	Nut GB/T 6170 M6	4
6	00000621	Washer GB/T 93 6	8
7	50002379	Nylon insulator	4
8	10011591	Ground control box support	1
9	00002074	150A Fuse assembly	1
--	00002562	150A Fuse	1
--	00000757	Fuse seat	1
10	00002313	Screw GB/T 818 M5×14 - H	2
11	10005205	Cover	1
12	00000743	Bolt GB/T 5783 M6×20	4
13	00002559	Bolt GB/T 5783 M6×40	4
14	00002594	ECU	1

122.1 Ground Control Box Assembly (EU Stage V Engine)



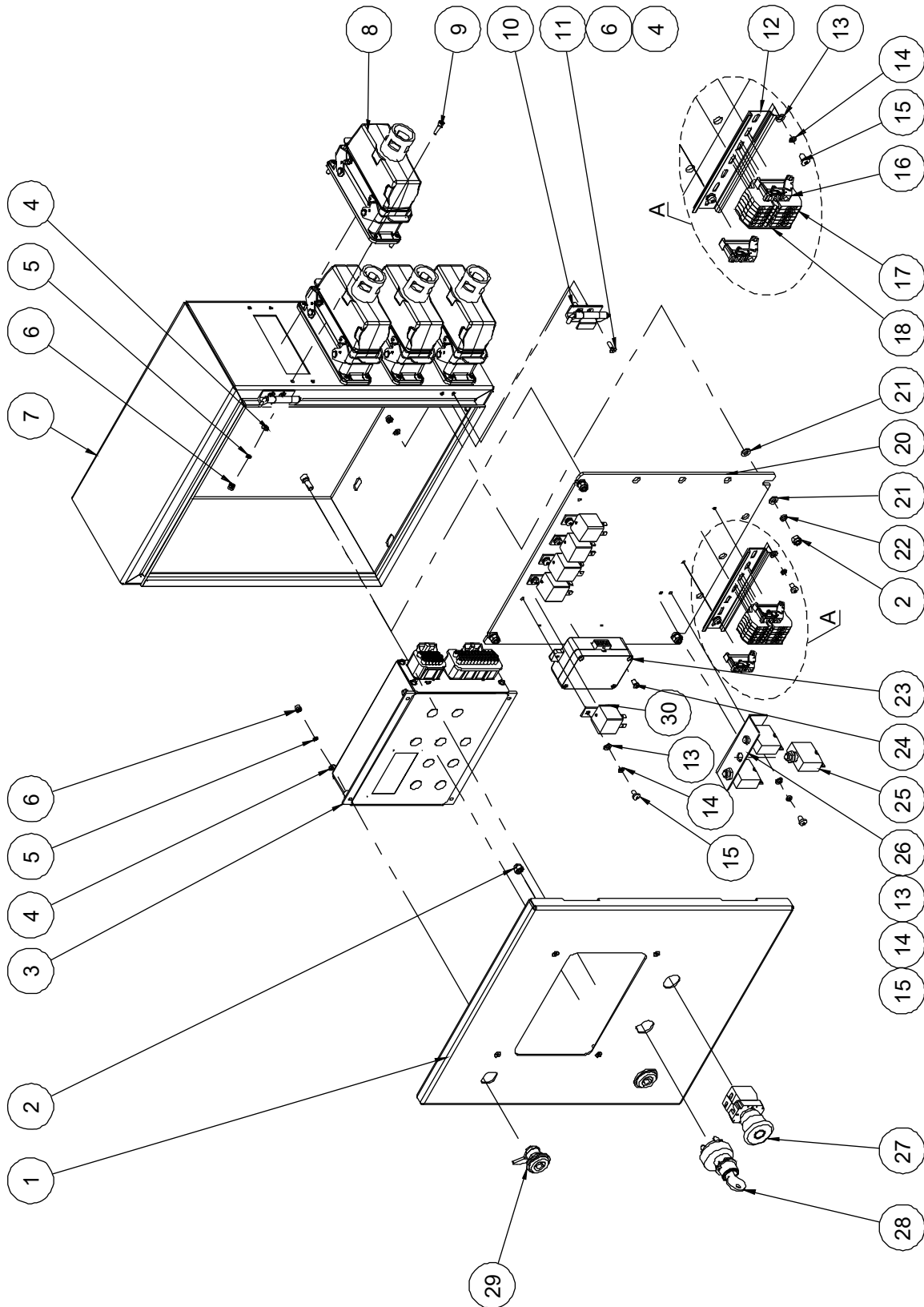
122.1 Ground Control Box Assembly (EU Stage V Engine)

Item	Part No.	Description	Qty.
1	10020084	Ground control box cover	1
2	00000742	Nut GB/T 889.1 M6	6
3	00007940	Controller	1
4	00000778	Washer GB/T 97.1 4	24
5	00000779	Washer GB/T 93 4	20
6	00001236	Nut GB/T 889.1 M4	24
7	10013771	Ground control box weldment	1
8	00000724	Connector	4
9	00000604	Screw GB/T 70.1 M4×16	16
10	50000217	Hinge	2
11	00005259	Screw GB/T 819 M4×14 - H	4
12	10004977	Terminal rail	1
13	00000605	Washer GB/T 97.1 5	10
14	00000606	Washer GB/T 93 5	10
15	00002391	Screw GB/T 818 M5×8 - H	10
16	00000660	End, Fixation	2
17	00000659	End, Straight	6
18	00002593	End, Plate	1
19	00000647	Relay	1
20	00000620	Washer GB/T 97.1 6	8
21	10013770	Mounting plate	1
22	00000621	Washer GB/T 93 6	4
23	00002333	Screw GB/T 818 M4×8 - H	2
24	00005449	Load sensor amplifier	1
25	00002597	Circuit breaker	2
26	00002208	Circuit breaker	1
27	10004973	Circuit breaker bracket	1
28	00002206	Relay	5
29	00000923	Emergency stop switch	1

122.1 Ground Control Box Assembly (EU Stage V Engine)

Item	Part No.	Description	Qty.
--	00000754	Red mushroom head	1
--	00000752	Base with 1 NC contact	1
--	00001245	NC contact	1
30	00001243	Key switch (key removable in off position)	1
	00003356	Key switch (key removable in all position)	1
--	00003050	Key	1
31	00003162	LED (red)	1
32	00001296	Latch, Column	2
33	00005290	Relay	1

122.2 Ground Control Box Assembly (EU Stage III B Engine)



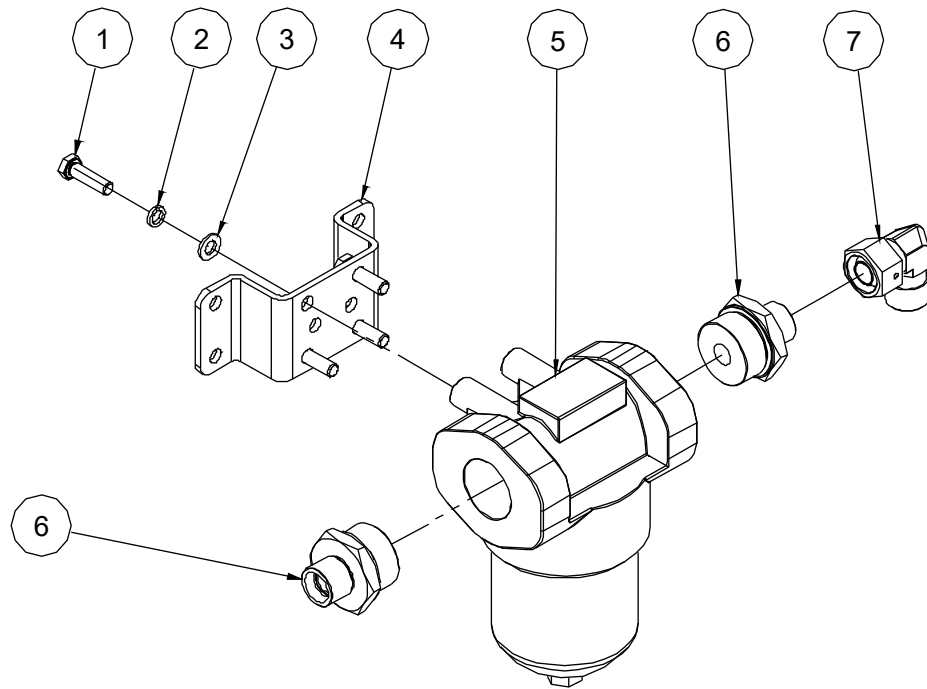
122.2 Ground Control Box Assembly (EU Stage IIIB Engine)

Item	Part No.	Description	Qty.
1	10016383	Ground control box cover	1
2	00000742	Nut GB/T 889.1 M6	6
3	00007940	Controller	1
4	00000778	Washer GB/T 97.1 4	24
5	00000779	Washer GB/T 93 4	20
6	00001236	Nut GB/T 889.1 M4	24
7	10013771	Ground control box weldment	1
8	00000724	Connector	4
9	00000604	Screw GB/T 70.1 M4×16	16
10	50000217	Hinge	2
11	00005259	Screw GB/T 819 M4×14 - H	4
12	10004977	Terminal rail	1
13	00000605	Washer GB/T 97.1 5	9
14	00000606	Washer GB/T 93 5	9
15	00002391	Screw GB/T 818 M5×8 - H	9
16	00000660	End, Fixation	2
17	00000659	End, Straight	6
18	00002593	End, Plate	1
19	10013770	Mounting plate	1
20	00000620	Washer GB/T 97.1 6	8
21	00000621	Washer GB/T 93 6	4
22	00005449	Load sensor amplifier	1
23	00002333	Screw GB/T 818 M4×8 - H	2
24	00002597	Circuit breaker	3
25	10004973	Circuit breaker bracket	1
26	00000923	Emergency stop switch	1
--	00000754	Red mushroom head	1
--	00000752	Base with 1 NC contact	1
--	00001245	NC contact	1

122.2 Ground Control Box Assembly (EU Stage IIIB Engine)

Item	Part No.	Description	Qty.
27	00001243	Key switch (key removable in off position)	1
	00003356	Key switch (key removable in all position)	1
--	00003050	Key	1
28	00001296	Latch, Column	2
29	00002206	Relay	5

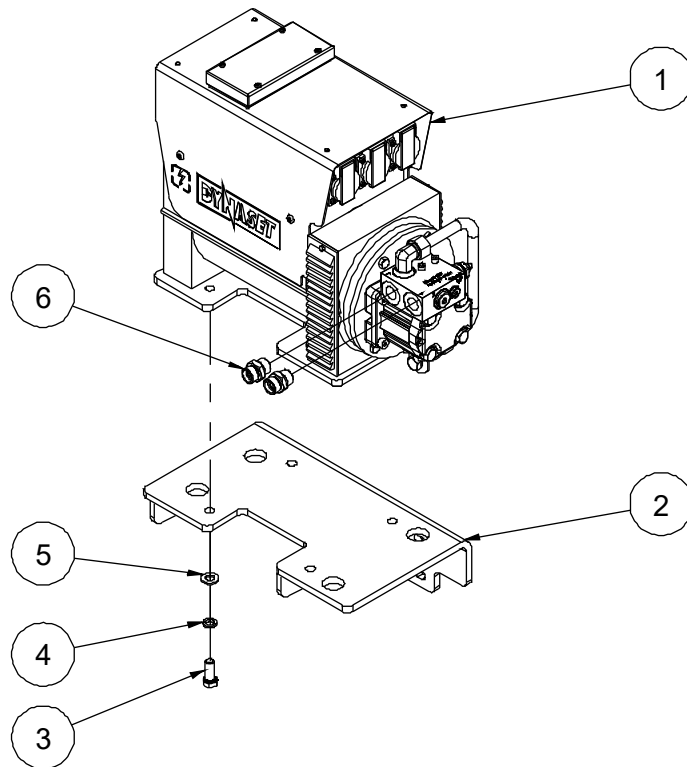
123.1 High Pressure Line Filter Assembly



123.1 High Pressure Line Filter Assembly

Item	Part No.	Description	Qty.
1	00000684	Bolt GB/T 5783 M10×35	4
2	00000679	Washer GB/T 93 10	4
3	00000615	Washer GB/T 97.1 10	4
4	50002311	Filter bracket	1
5	00001871	High pressure line filter	1
--	00004696	Filter element	1
6	00003963	Straight fitting	2
7	00001842	Elbow	1

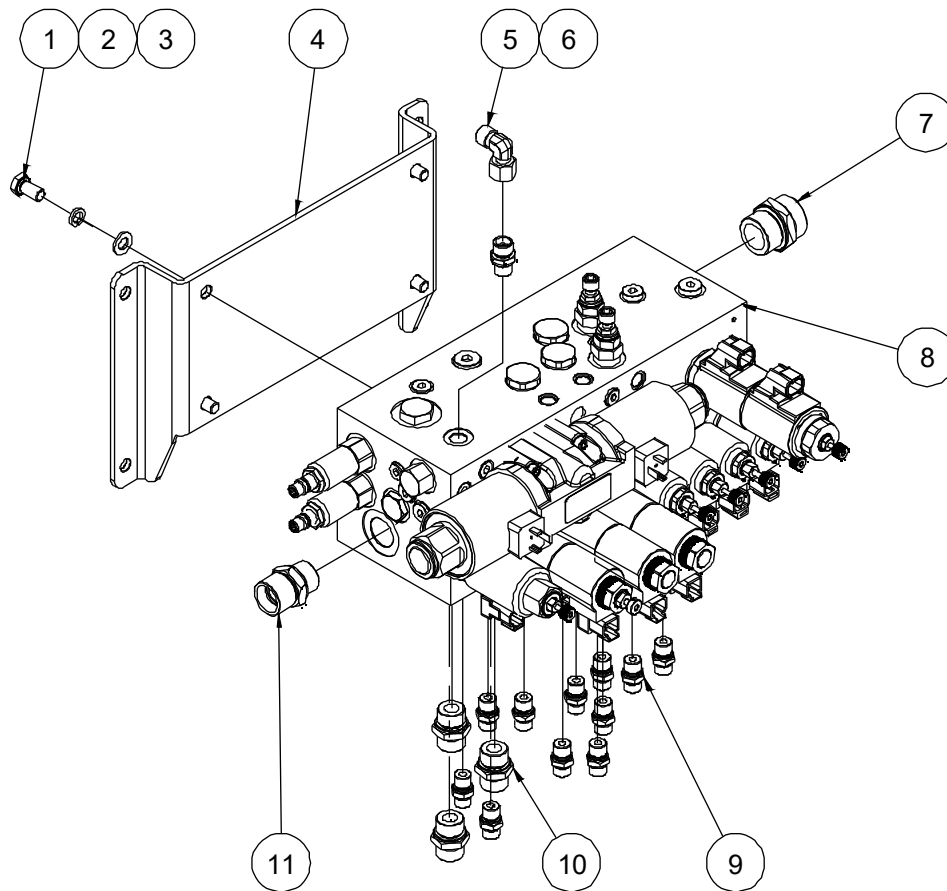
124.1 Alternator Assembly (option)



124.1 Alternator Assembly (option)

Item	Part No.	Description	Qty.
1	00008004	Alternator (110V)	1
	00008094	Alternator (220V)	1
2	10016463	Alternator bracket	1
3	00002059	Bolt GB/T 5783 M12×30	1
4	00000815	Washer GB/T 93 12	1
5	00000814	Washer GB/T 97.1 12	1
6	00001506	Straight fitting	2

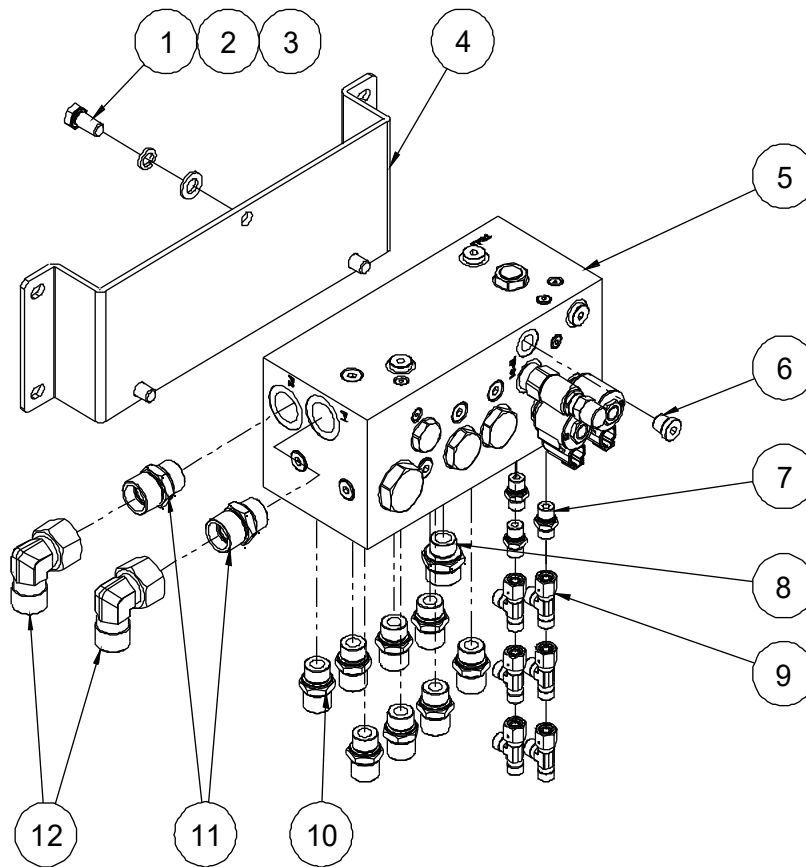
125.1 Function Manifold Assembly



125.1 Function Manifold Assembly

Item	Part No.	Description	Qty.
1	00000674	Bolt GB/T 5783 M10×20	4
2	00000679	Washer GB/T 93 10	4
3	00000615	Washer GB/T 97.1 10	4
4	10004810	Function manifold bracket	1
5	00001833	Elbow	1
6	00001290	Straight fitting	1
7	00002071	Straight fitting	1
8		Function manifold (refer to 404.1)	1
9	00001282	Straight fitting	11
10	00001266	Straight fitting	3
11	00004466	Straight fitting	1

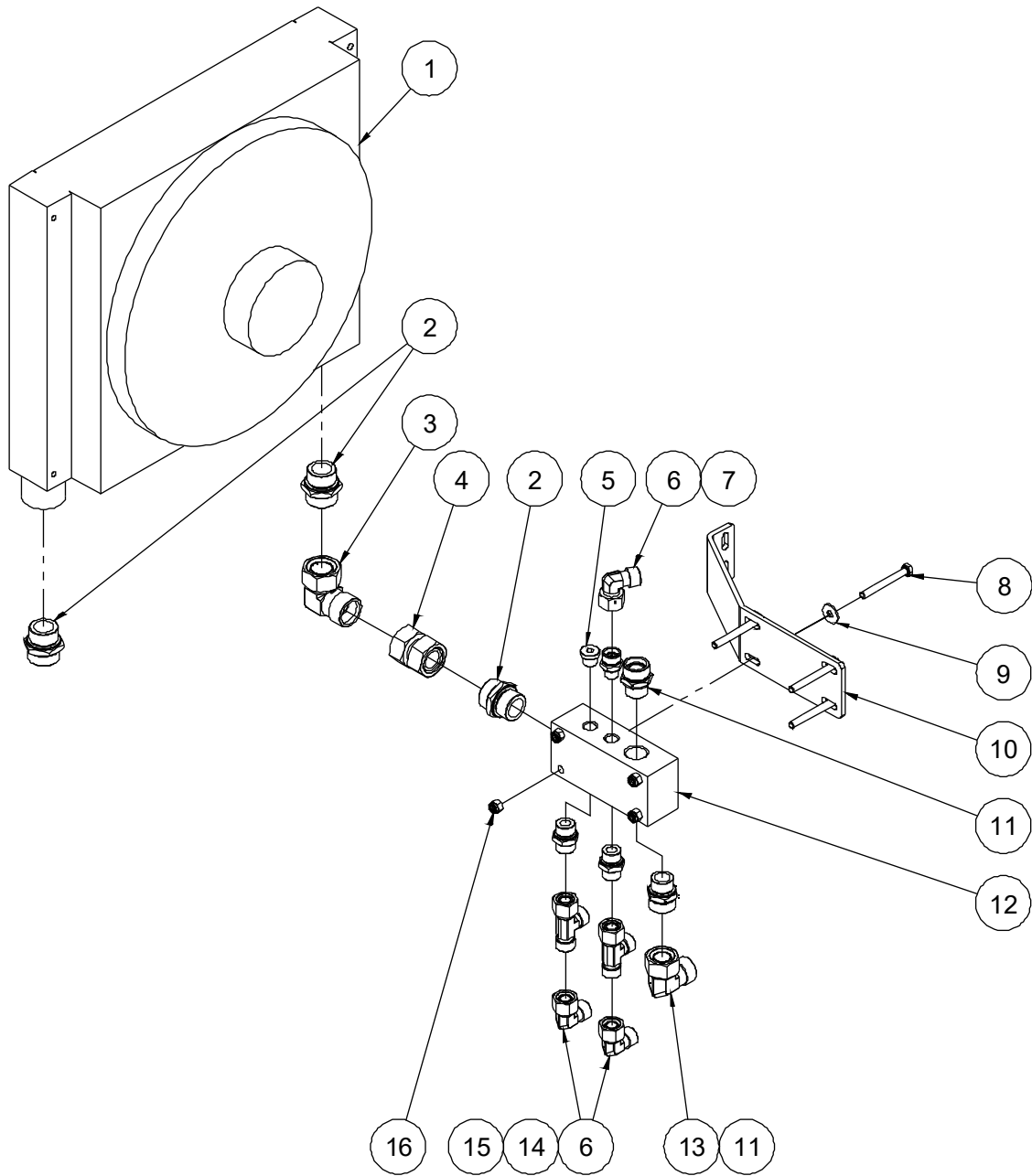
126.1 Drive Manifold Assembly



126.1 Drive Manifold Assembly

Item	Part No.	Description	Qty.
1	00000816	Bolt GB/T 5783 M12×25	3
2	00000815	Washer GB/T 93 12	3
3	00000814	Washer GB/T 97.1 12	3
4	10011556	Drive manifold bracket	1
5		Drive manifold (refer to 405.1)	1
6	00001073	Plug VST114×1.5ED	2
7	00001282	Straight fitting	3
8	00001270	Straight fitting	1
9	00001237	Tee fitting	6
10	00001283	Straight fitting	8
11	00001285	Straight fitting	2
12	00001842	Elbow	2

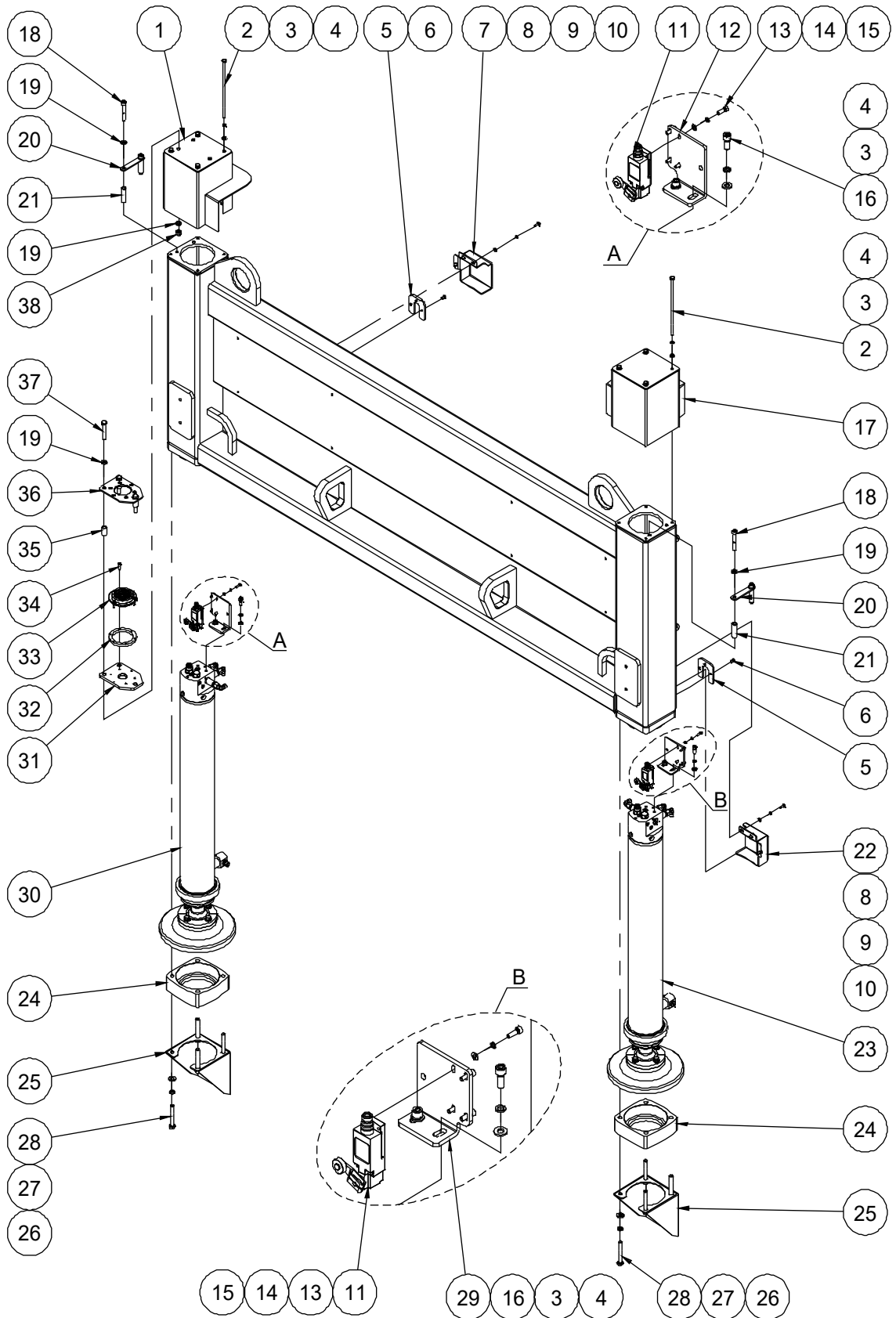
127.1 Oil Cooler Assembly



127.1 Oil Cooler Assembly

Item	Part No.	Description	Qty.
1	00003941	Oil cooler	1
2	00002071	Straight fitting	3
3	00001837	Elbow	1
4	00005569	Straight fitting	1
5	00001074	Plug VST116×1.5ED	1
6	00001835	Elbow	3
7	00001265	Straight fitting	1
8	00001860	Bolt GB/T 5782 M8×70	4
9	00002000	Washer GB/T 96.1 8	4
10	10011649	Manifold bracket	1
11	00001269	Straight fitting	2
12	00002183	Manifold	1
13	00001836	Elbow	1
14	00001240	Tee fitting	2
15	00001266	Straight fitting	2
16	00001163	Nut GB/T 6182 M8	4

128.1 Outriggers Assembly



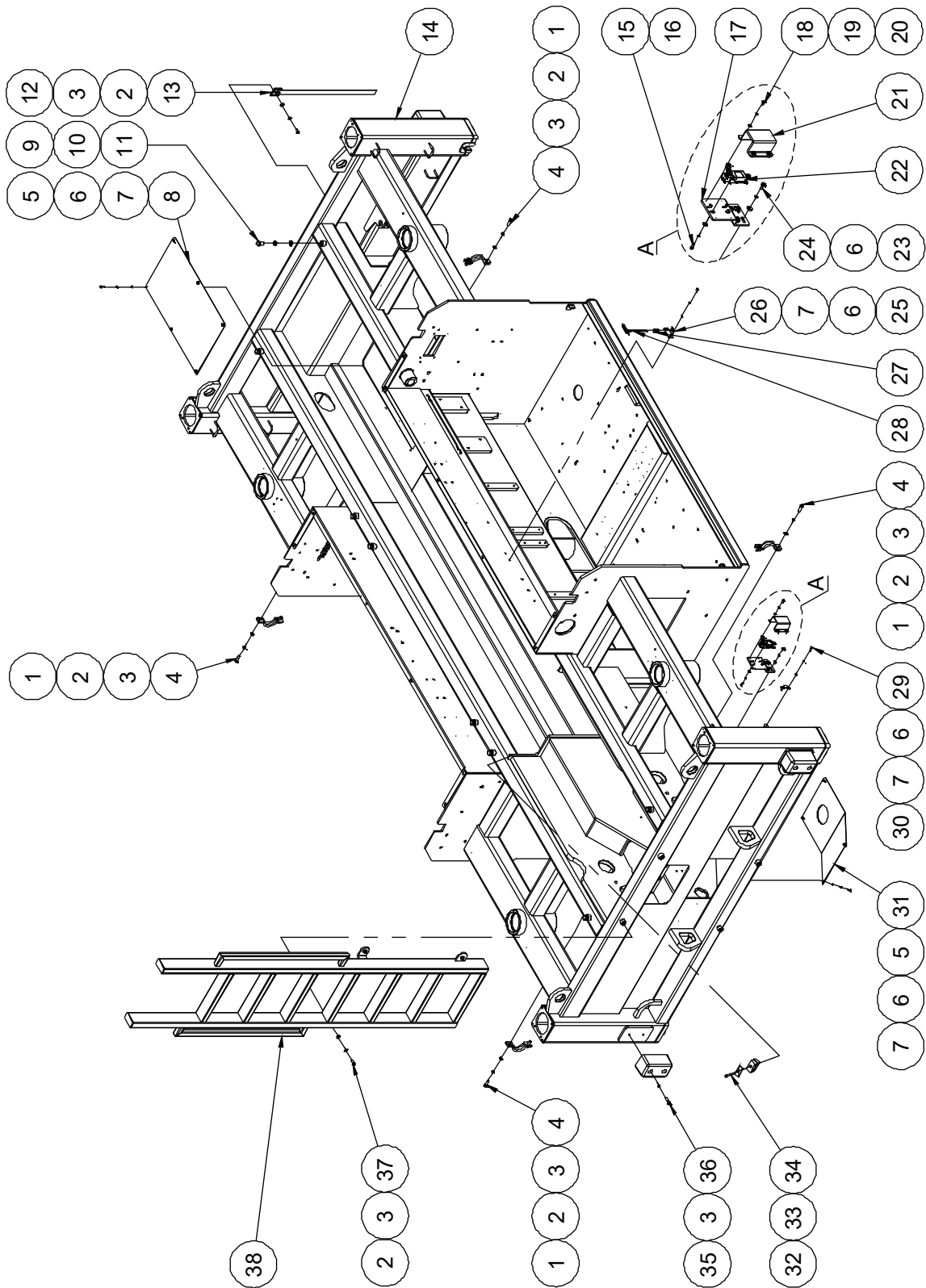
128.1 Outriggers Assembly

Item	Part No.	Description	Qty.
1	10010981	Outrigger cover (without bubble level)	1
	10012159	Outrigger cover (with bubble level)	1
2	00007660	Bolt GB/T 5782 M8×220	8
3	00000609	Washer GB/T 93 8	12
4	00000608	Washer GB/T 97.1 8	12
5	10010273	Rubber block	2
6	00000829	Screw GB/T 70.3 M6×12	6
7	10021581	Cover	1
8	00000818	Bolt GB/T 5783 M6×16	6
9	00000621	Washer GB/T 93 6	6
10	00000620	Washer GB/T 97.1 6	6
11	00000748	Limit switch	2
12	10010155	Switch bracket	1
13	00001246	Screw GB/T 70.1 M5×16	8
14	00000606	Washer GB/T 93 5	8
15	00000605	Washer GB/T 97.1 5	8
16	00001061	Screw GB/T 70.1 M8×20	4
17	10010981	Outrigger cover	1
18	00002563	Screw GB/T 70.1 M10×65	4
19	00000615	Washer GB/T 97.1 10	10
20	10010158	Signal plate	2
21	10010173	Spacer sleeve	4
22	10021582	Cover	1
23		Left outrigger cylinder assembly (without seal kit) (refer to 402.1)	1
24	10010132	Outrigger seat	2
25	10012523	Outrigger support frame	2
26	00000814	Washer GB/T 97.1 12	8
27	00000815	Washer GB/T 93 12	8

128.1 Outriggers Assembly

Item	Part No.	Description	Qty.
28	00002527	Bolt GB/T 5782 M12×80	8
29	10010157	Switch bracket	1
30		Right outrigger cylinder assembly (without seal kit) (refer to 403.1)	1
31	10012155	Bubble level mount plate	1
32	10004271	Rubber pad	1
33	10004259	Bubble level	1
34	00000817	Screw GB/T 70.1 M5×20	3
35	10012156	Spacer sleeve	3
36	10012157	Bubble level cover	1
37	00002508	Bolt GB/T 5783 M10×60	3
38	00000623	Nut GB/T 6182 M10	3

129.1 Ladder and Chassis Accessory Installation



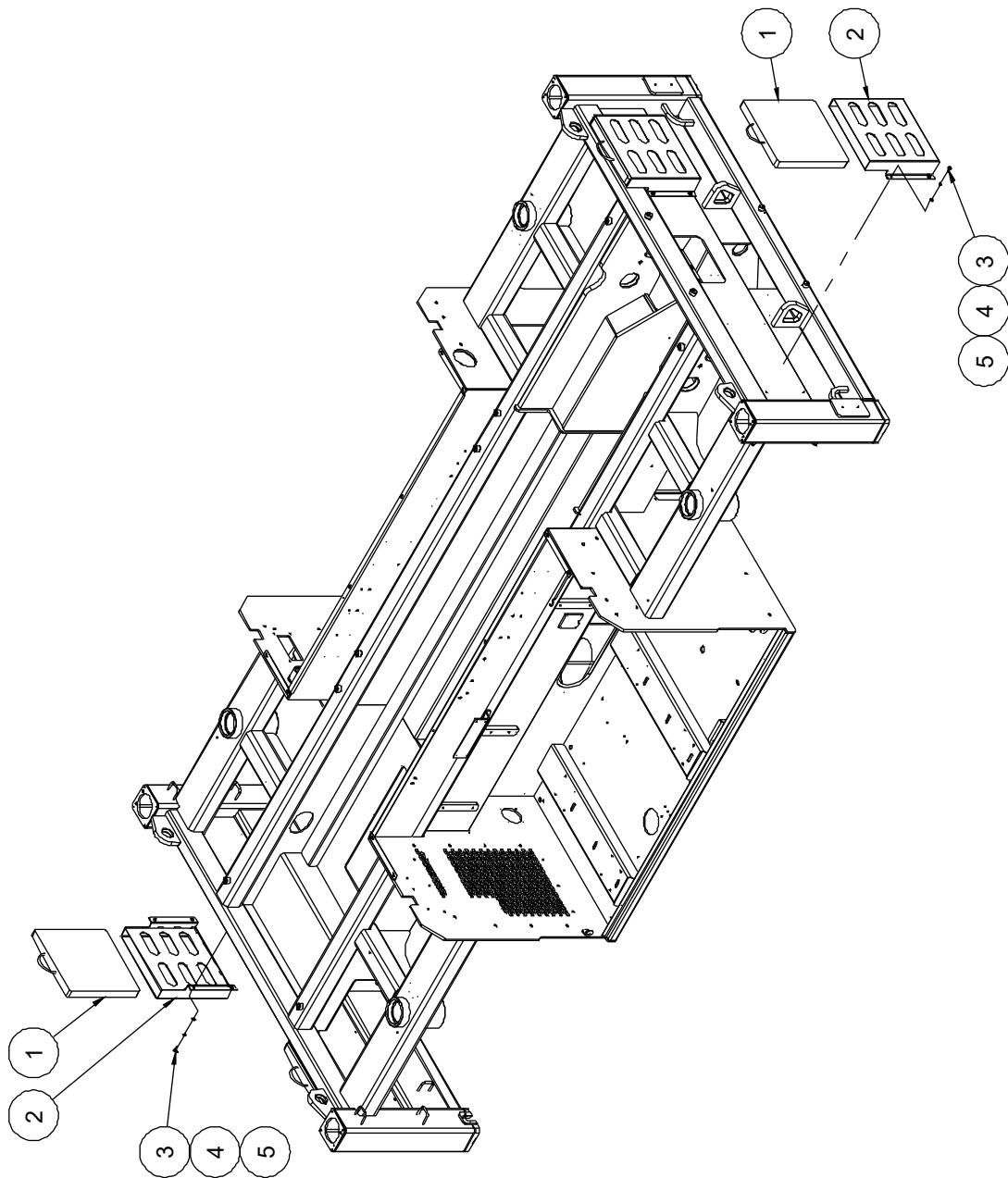
129.1 Ladder and Chassis Accessory Installation

Item	Part No.	Description	Qty.
1	10005452	Hose clamp weldment	4
2	00000615	Washer GB/T 97.1 10	13
3	00000679	Washer GB/T 93 10	21
4	00000684	Bolt GB/T 5783 M10×35	8
5	00000818	Bolt GB/T 5783 M6×16	10
6	00000621	Washer GB/T 93 6	18
7	00000620	Washer GB/T 97.1 6	14
8	10010274	Cover	1
9	00000997	Washer GB/T 97.1 16	12
10	00001035	Washer GB/T 93 16	12
11	00006696	Bolt GB/T 5783 M16×25	12
12	00000674	Bolt GB/T 5783 M10×20	1
13	00000669	Ground strap	1
14	10010224	Frame weldment	1
15	00001246	Screw GB/T 70.1 M5×16	4
16	00003545	Washer GB/T 96.1 5	4
17	10017502	Switch bracket	1
18	00001252	Screw GB/T 70.1 M5×12	4
19	00000606	Washer GB/T 93 5	8
20	00000605	Washer GB/T 97.1 5	4
21	10011485	Switch cover	1
22	00000748	Limit switch	1
23	00002583	Washer GB/T 96.1 6	4
24	00000876	Screw GB/T 70.1 M6×16	4
25	00000745	Bolt GB/T 5783 M6×12	2
26	10012522	Bracket	1
27	00001825	Water-proof joint M12	1
28	00006828	Wrench GB/T 5356-3	1
29	00000743	Bolt GB/T 5783 M6×20	2

129.1 Ladder and Chassis Accessory Installation

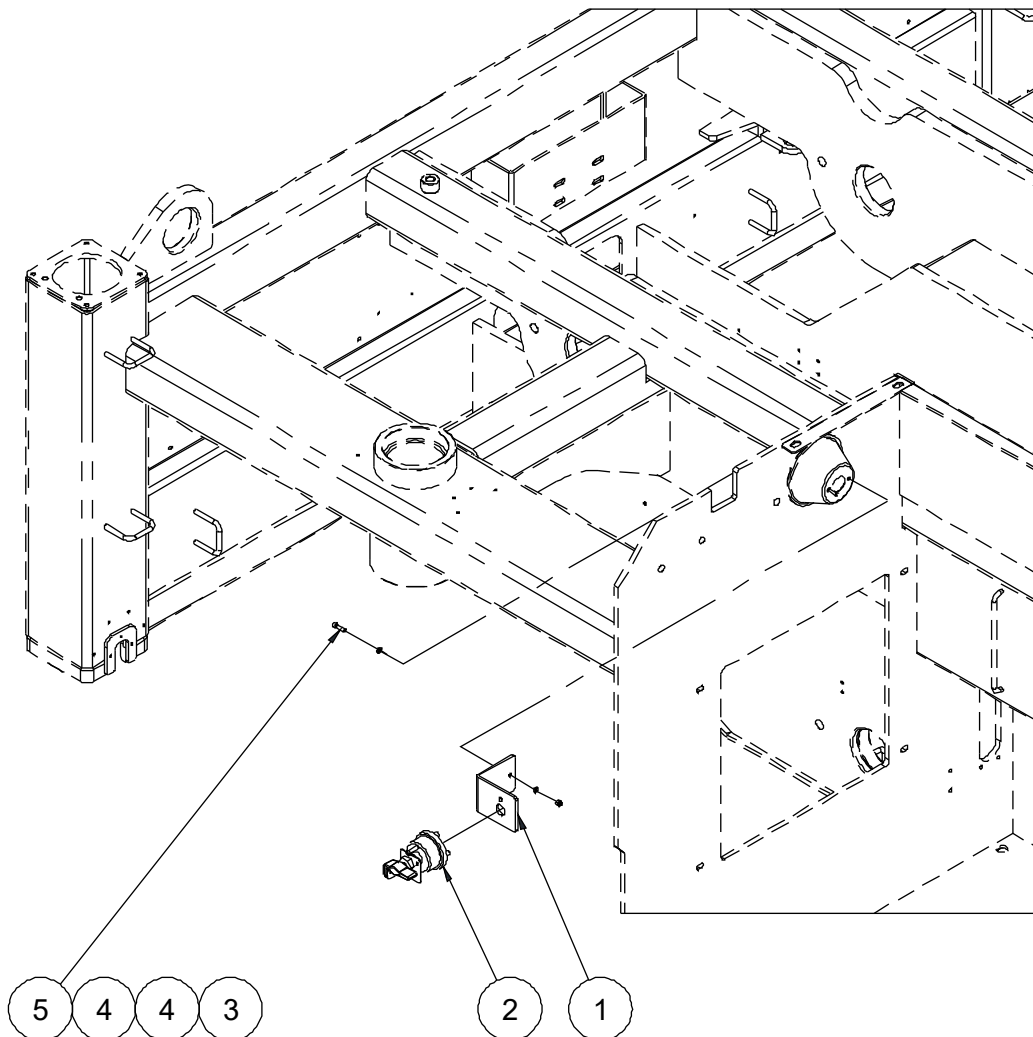
Item	Part No.	Description	Qty.
30	00002727	Clamp 16 JB/ZQ 4492-2006	1
31	10010354	Cover	1
32	00000316	Hose clamp	1
33	00000317	Base plate	1
34	00001985	Bolt GB/T 5782 M8×55	1
35	10010171	Bumper	4
36	00001059	Screw GB/T 70.1 M10×30	8
37	00000678	Bolt GB/T 5783 M10×25	4
38	10018123	Ladder	1

130.1 Outrigger Plate (Option)



130.1 Outrigger Plate (Option)

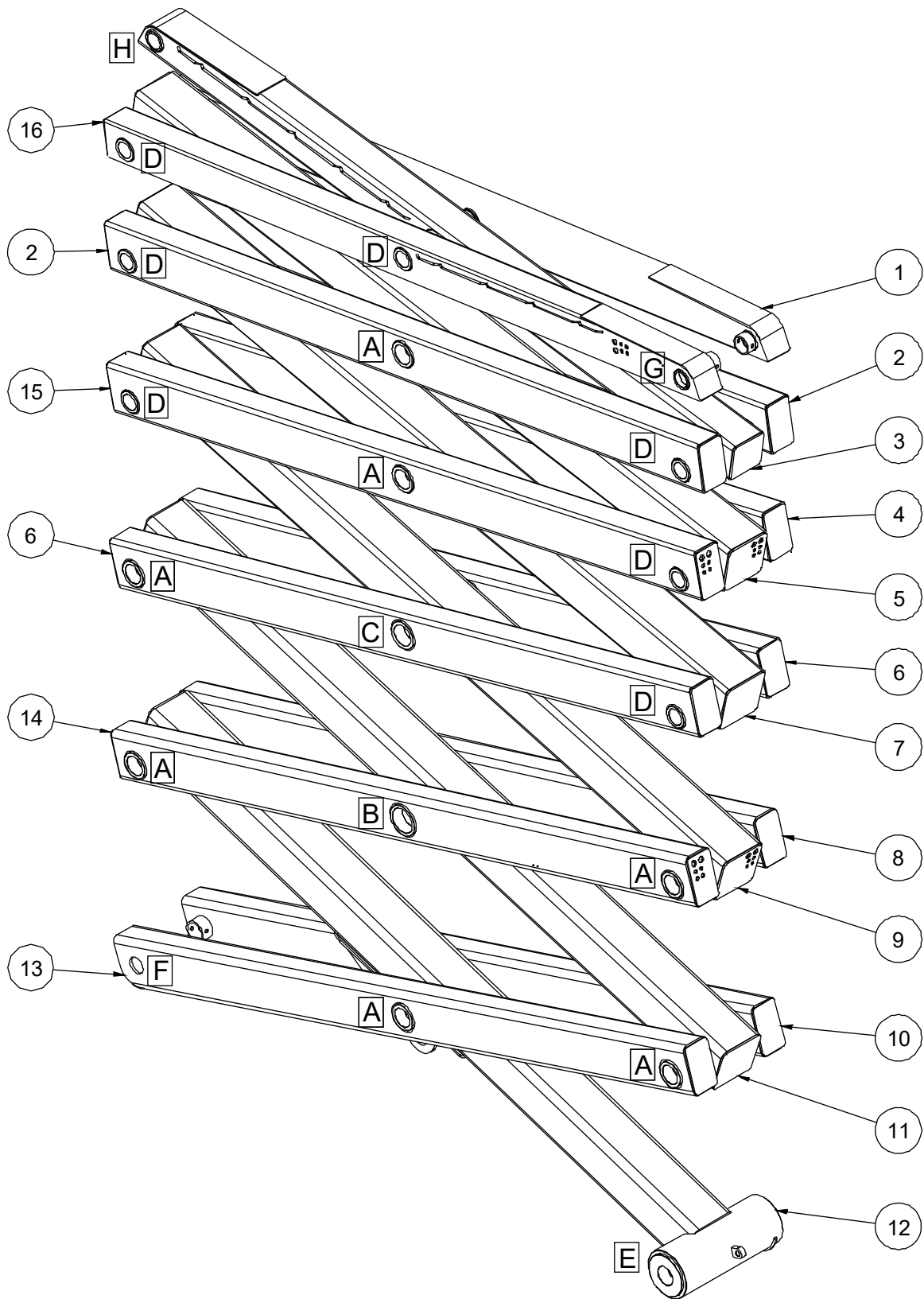
Item	Part No.	Description	Qty.
1	10018531	Outrigger plate	4
2	10018534	Plate box weldment	4
3	00001063	Bolt GB/T 5783 M8×16	16
4	00000609	Washer GB/T 93 8	16
5	00000608	Washer GB/T 97.1 8	16

131.1 power switch assembly (Optional)**131.1 power switch assembly (Optional)**

Item	Part No.	Description	Qty.
1	10026742	Bracket	1
2	00008632	Power switch	1
3	00000613	Nut GB/T 6182 M5	2
4	00000605	Washer GB/T 97.1 5	4
5	00000817	Screw GB/T 70 M5 x 20	2

Section 2 Scissor

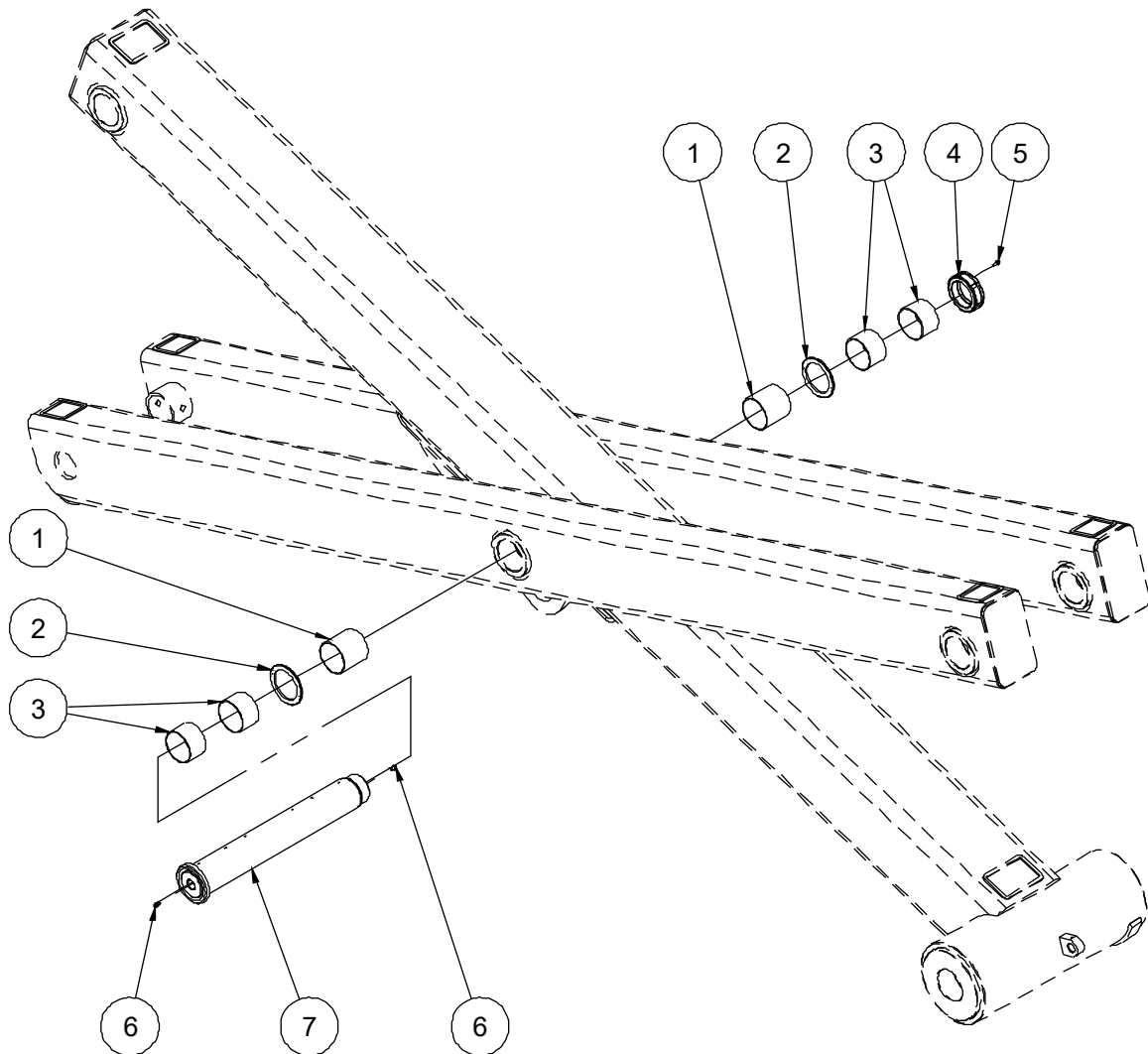
201.1 Scissor Arms Installation



201.1 Scissor Arms Installation

Item	Part No.	Description	Qty.
1	10009256	Outer arm 6, right	1
2	10017467	Outer arm 5	2
3	10009223	Inner arm 6	1
4	10017462	Outer arm 4, right	1
5	10017469	Inner arm 5	1
6	10017458	Outer arm 3	2
7	10017465	Inner arm 4	1
8	10009283	Outer arm 2, right	1
9	10017460	Inner arm 3	1
10	10009233	Outer arm 1, right	1
11	10009212	Inner arm 2	1
12	10009209	Inner arm 1	1
13	10009227	Outer arm 1, left	1
14	10009237	Outer arm 2, left	1
15	10017464	Outer arm 4, left	1
16	10009254	Outer arm 6, left	1

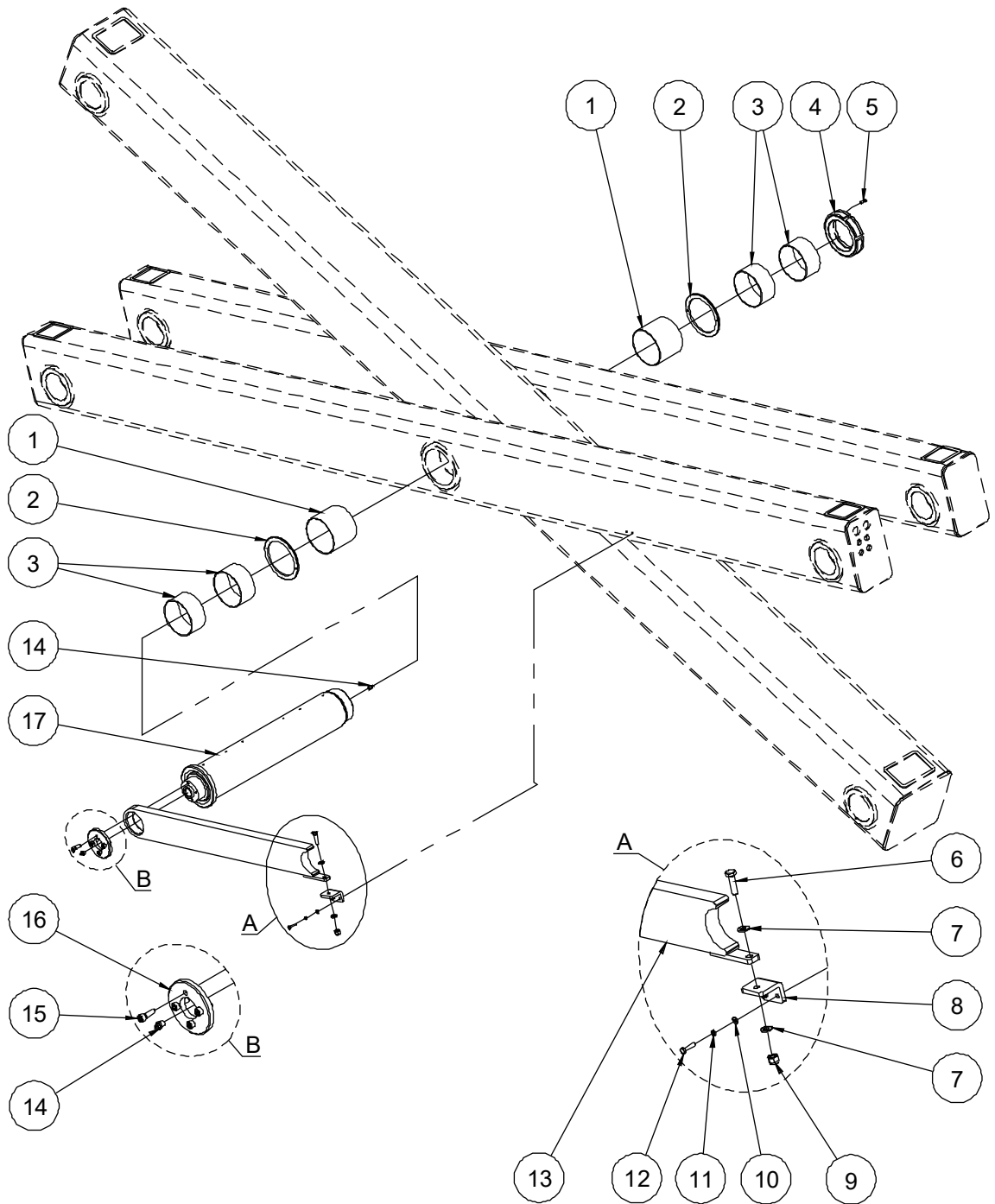
202.1 Scissor Arm pin joint A



202.1 Scissor Arm pin joint A

Item	Part No.	Description	Qty.
1	00006140	8812-909590A Bearing	2
2	10009382	Washer 90	2
3	00006149	8812-909560A Bearing	4
4	10017506	Nu M80	1
5	00000876	Screw GB/T 70.1 M6×16	4
6	00004483	Grease nipple GB/T 1152 M10×1	2
7	10009358	Pin 90	1

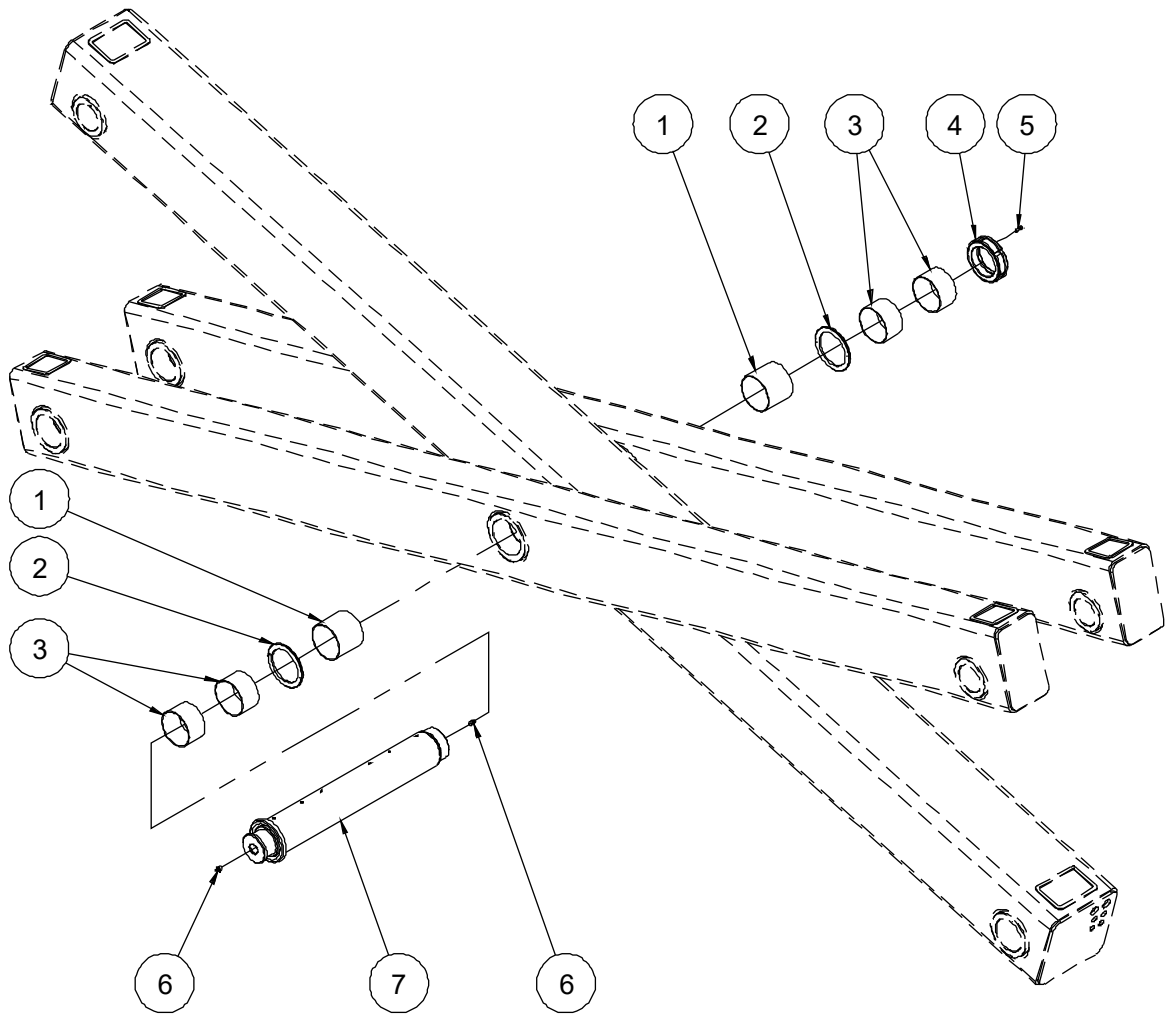
203.1 Scissor Arm pin joint B



203.1 Scissor Arm pin joint B

Item	Part No.	Description	Qty.
1	00006146	8812-120125100A Bearing	2
2	10009384	Washer 120	2
3	00006151	8812-12012560A Bearing	4
4	10017504	Nut M110	1
5	00000876	Screw GB/T 70.1 M6×16	6
6	00000684	Bolt GB/T 5783 M10×35	1
7	00000615	Washer GB/T 97.1 10	2
8	10009578	Bracket	1
9	00000623	Nut GB/T 6182 M10	1
10	00000620	Washer GB/T 97.1 6	2
11	00000621	Washer GB/T 93 6	2
12	00000619	Bolt GB/T 5783 M6×25	2
13	10009274	Safety arm	1
14	00004483	Grease nipple GB/T 1152 M10×1	2
15	00002555	Screw GB/T 70.1 M8×25	4
16	10009264	Safety arm retainer	1
17	10009381	Pin 120	1

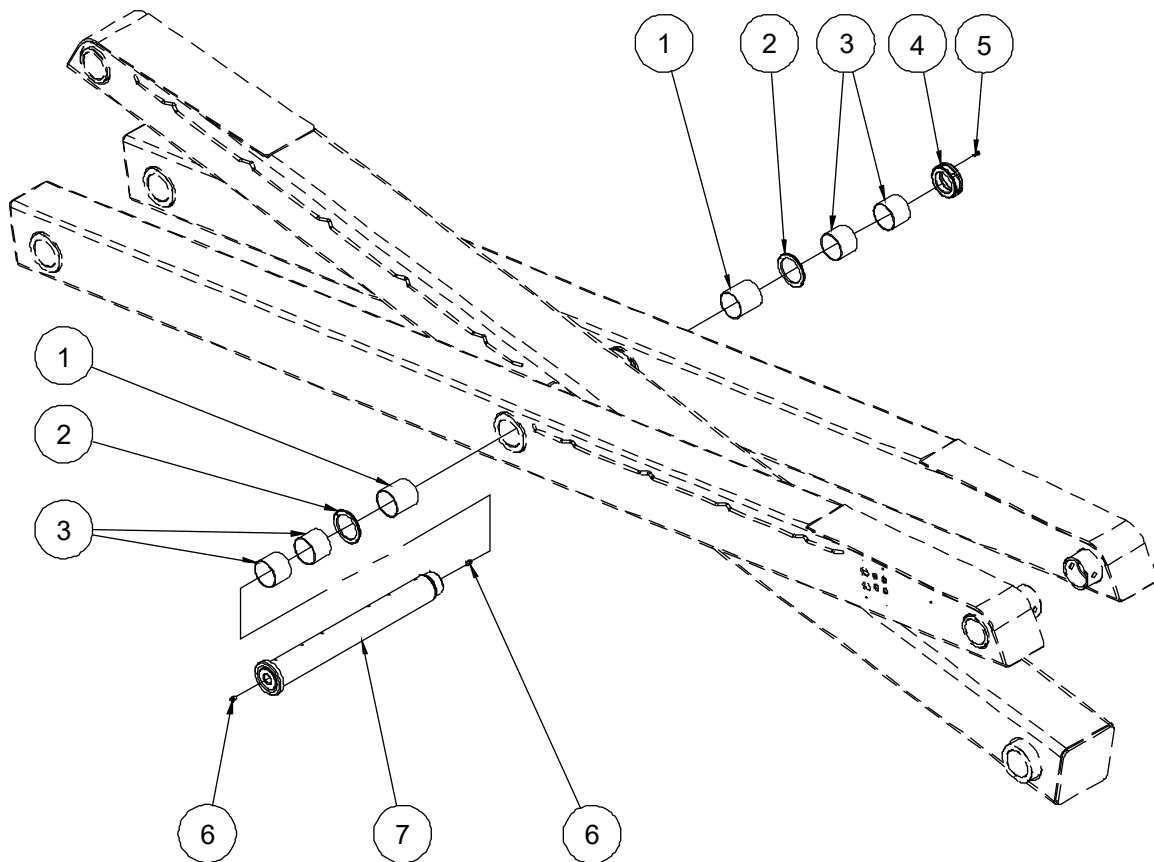
204.1 Scissor Arm pin joint C



204.1 Scissor Arm pin joint C

Item	Part No.	Description	Qty.
1	00006145	8812-10010590A Bearing	2
2	10009383	Washer 100	2
3	00006150	8812-10010560A Bearing	4
4	10017505	Nu M90	1
5	00000876	Screw GB/T 70.1 M6×16	4
6	00004483	Grease nipple GB/T 1152 M10×1	2
7	10009380	Pin 100	1

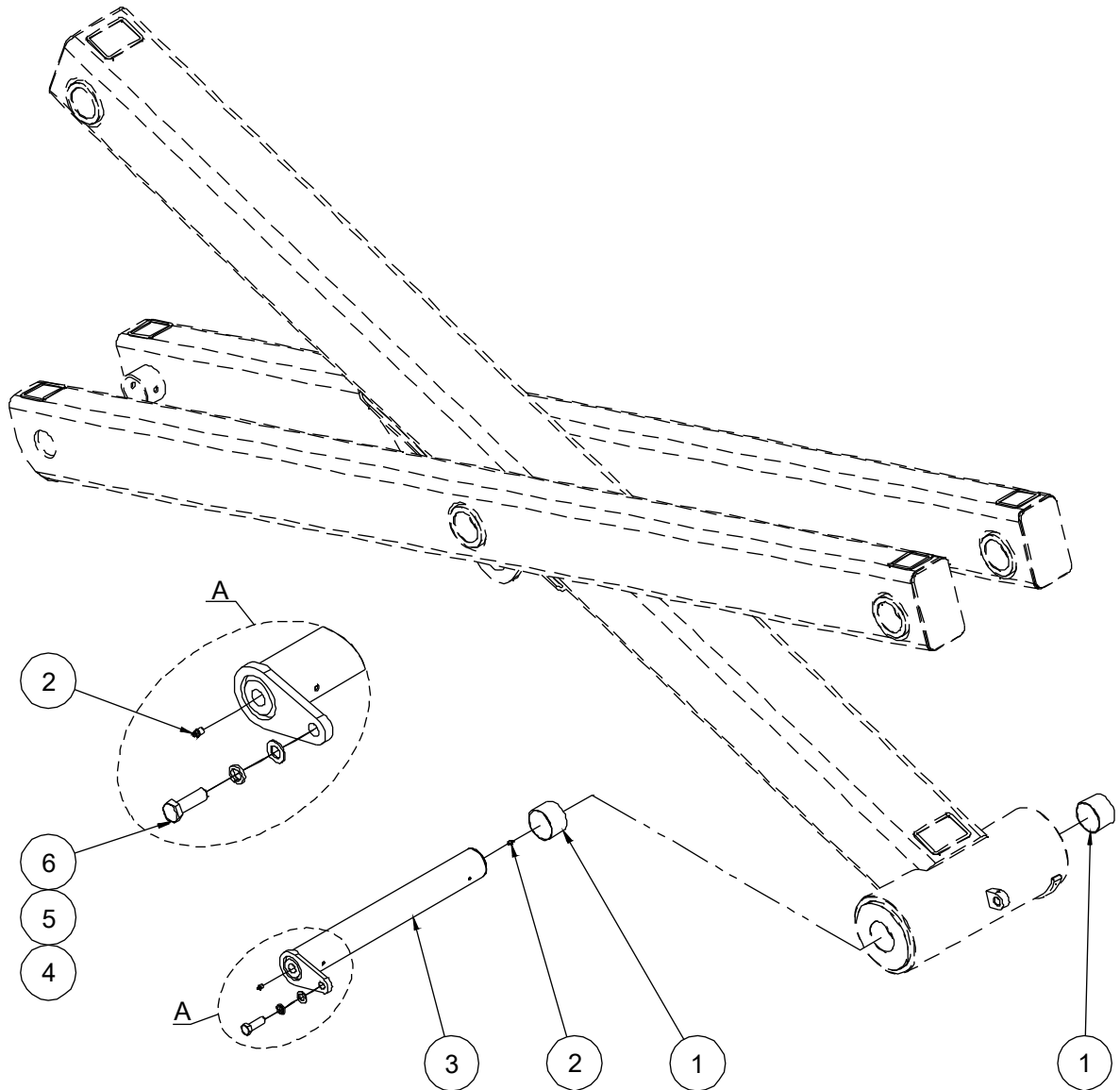
205.1 Scissor Arm pin joint D



205.1 Scissor Arm pin joint D

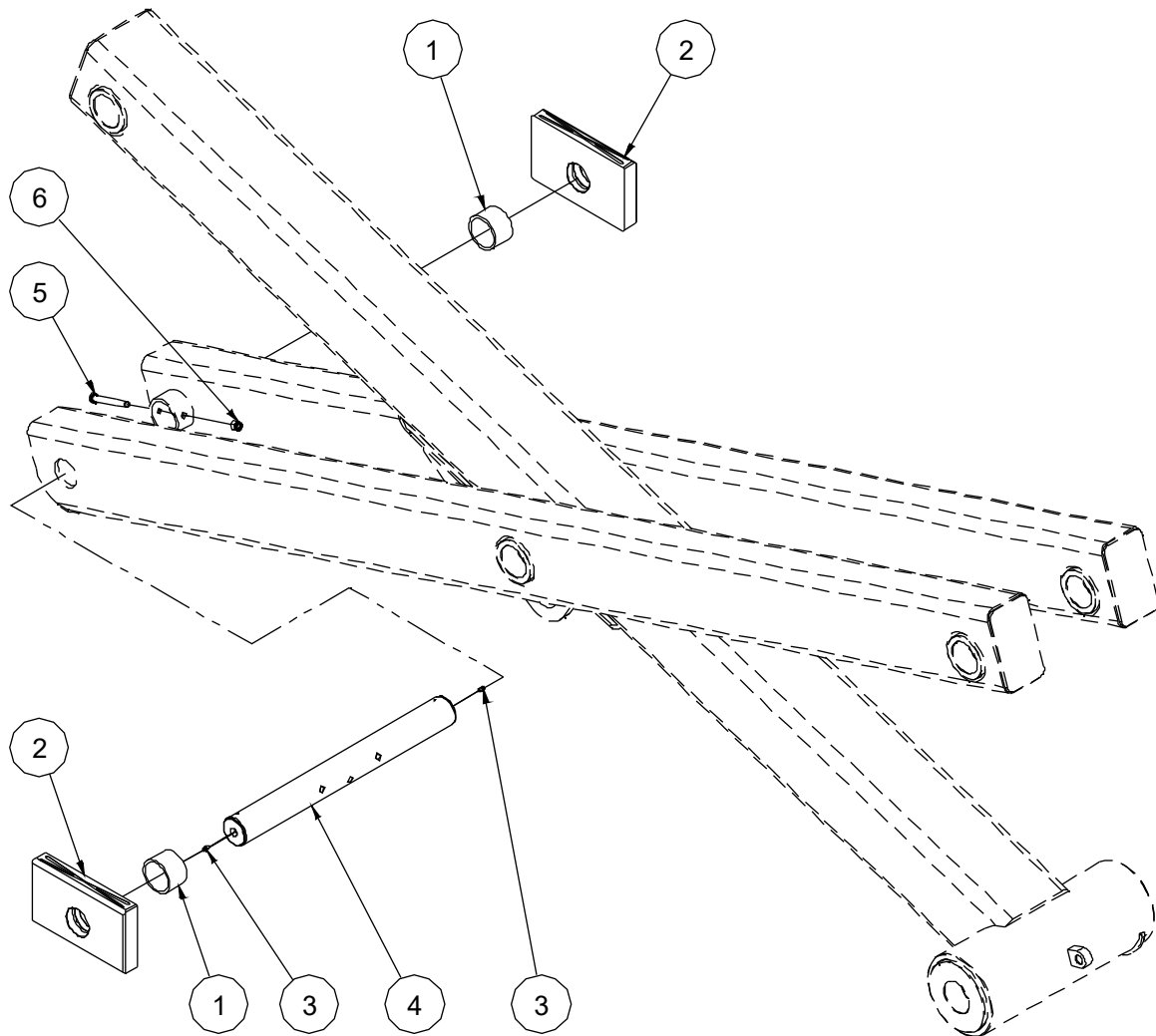
Item	Part No.	Description	Qty.
1	00006144	8812-758080A Bearing	2
2	10009374	Washer 75	2
3	00006143	8812-758060A Bearing	4
4	10017507	Nut M64	1
5	00002029	Screw GB/T 70.1 M6×12	4
6	00004483	Grease nipple GB/T 1152 M10×1	2
7	10009379	Pin 75	1

206.1 Scissor Arm pin joint E



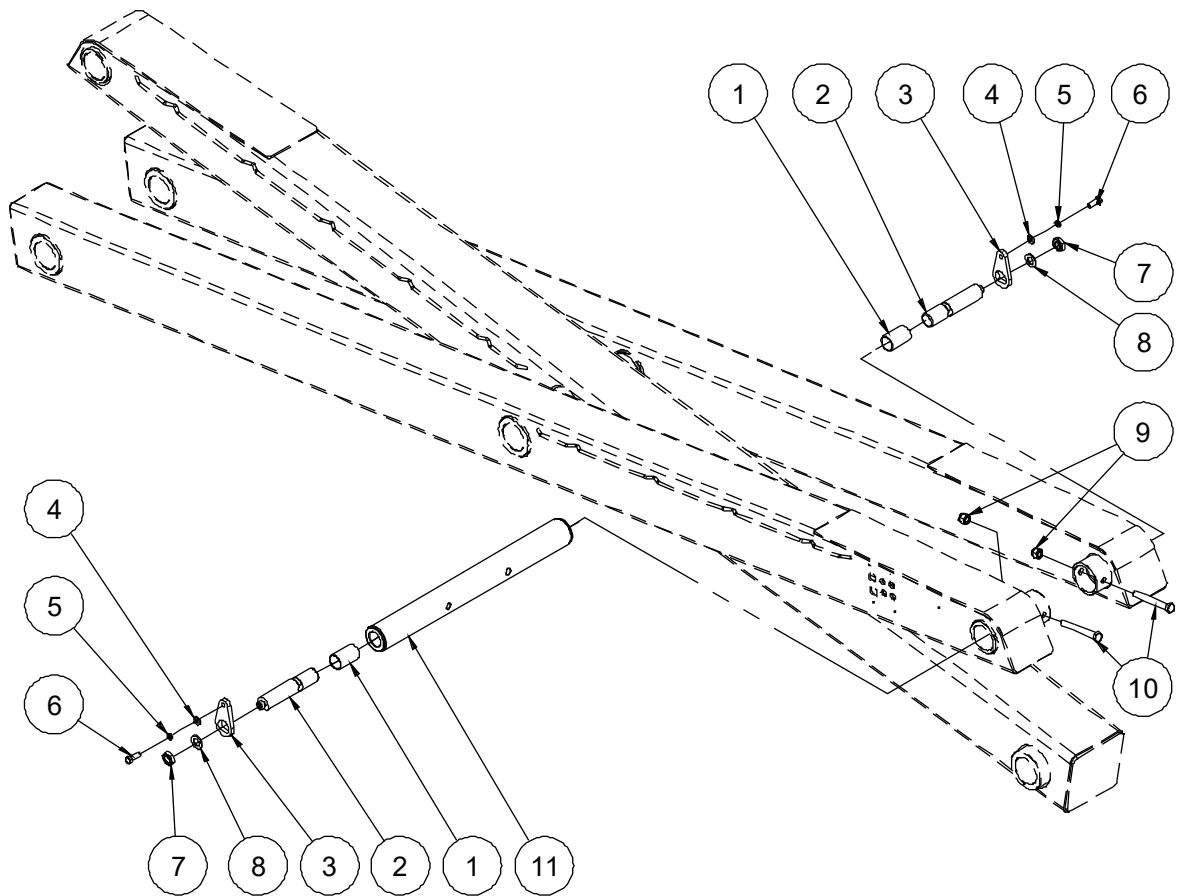
206.1 Scissor Arm pin joint E

Item	Part No.	Description	Qty.
1	00006149	8812-909560A Bearing	2
2	00004483	Grease nipple GB/T 1152 M10×1	2
3	10009378	Pin	1
4	00001050	Washer GB/T 97.1 20	1
5	00002219	Washer GB/T 93 20	1
6	00002224	Bolt GB/T 5783 M20×50	1

207.1 Scissor Arm pin joint F**207.1 Scissor Arm pin joint F**

Item	Part No.	Description	Qty.
1	10009580	Spacer sleeve	2
2	10009258	Chassis slider	2
3	00004483	Grease nipple GB/T 1152 M10×1	2
4	10009357	Pin	1
5	00001109	Bolt GB/T 5782 M16×130	2
6	00001257	Nut GB/T 6182 M16	2

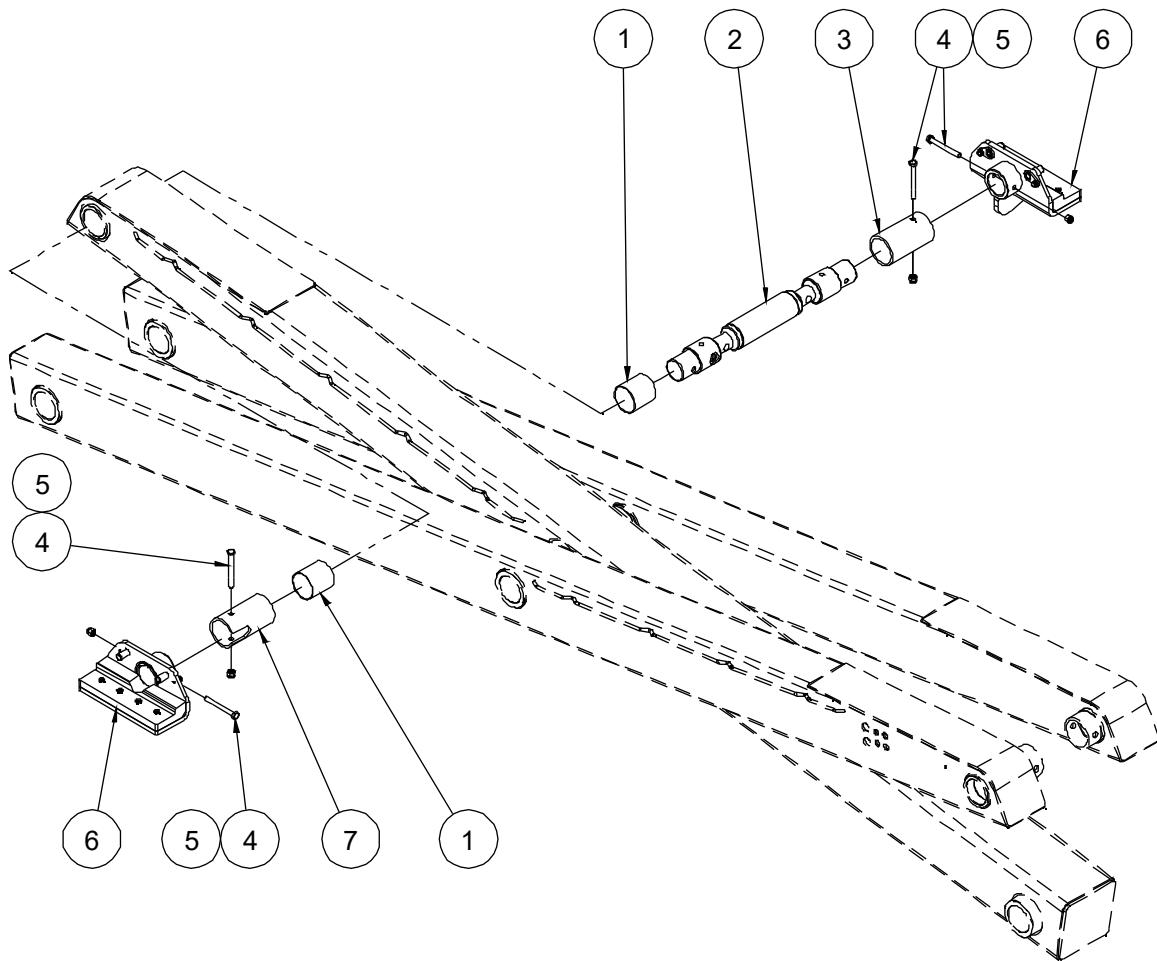
208.1 Scissor Arm pin joint G



208.1 Scissor Arm pin joint G

Item	Part No.	Description	Qty.
1	00006165	8812-404470 Bearing	2
2	10009398	Pin	2
3	10009399	Pin fixing plate	2
4	00000814	Washer GB/T 97.1 12	2
5	00000815	Washer GB/T 93 12	2
6	00002046	Bolt GB/T 5783 M12×35	2
7	00001998	Nut GB/T 6173 M22×1.5	2
8	00002550	Washer GB/T 97.1 22	2
9	00001257	Nut GB/T 6182 M16	2
10	00001109	Bolt GB/T 5782 M16×130	2
11	10009356	Pin	1

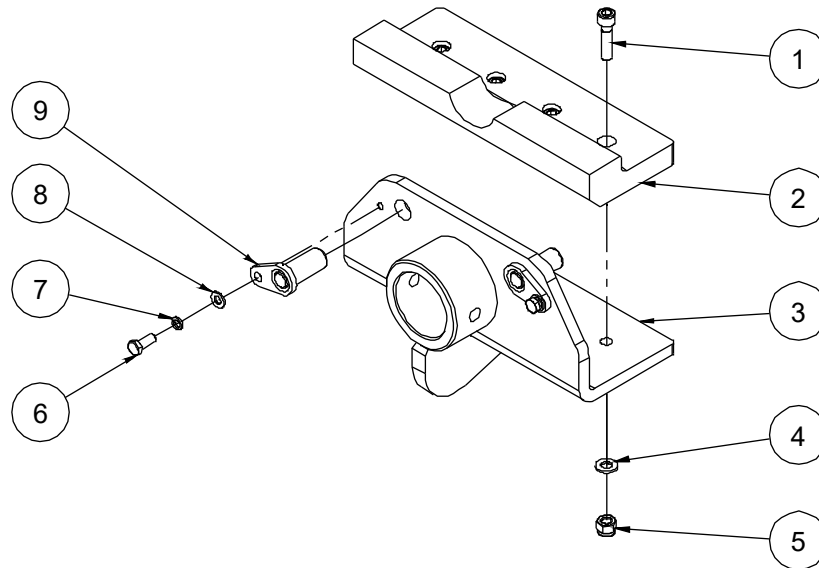
209.1 Scissor Arm pin joint H



209.1 Scissor Arm pin joint H

Item	Part No.	Description	Qty.
1	00006166	8812-758080 Bearing	2
2	10009396	Pin	1
3	10009668	Spacer sleeve	1
4	00006174	Bolt GB/T 5782 M12×110	4
5	00001249	Nut GB/T 6182 M12	4
6		Platform slider assembly (refet to 210.1)	2
7	10009669	Spacer sleeve	1

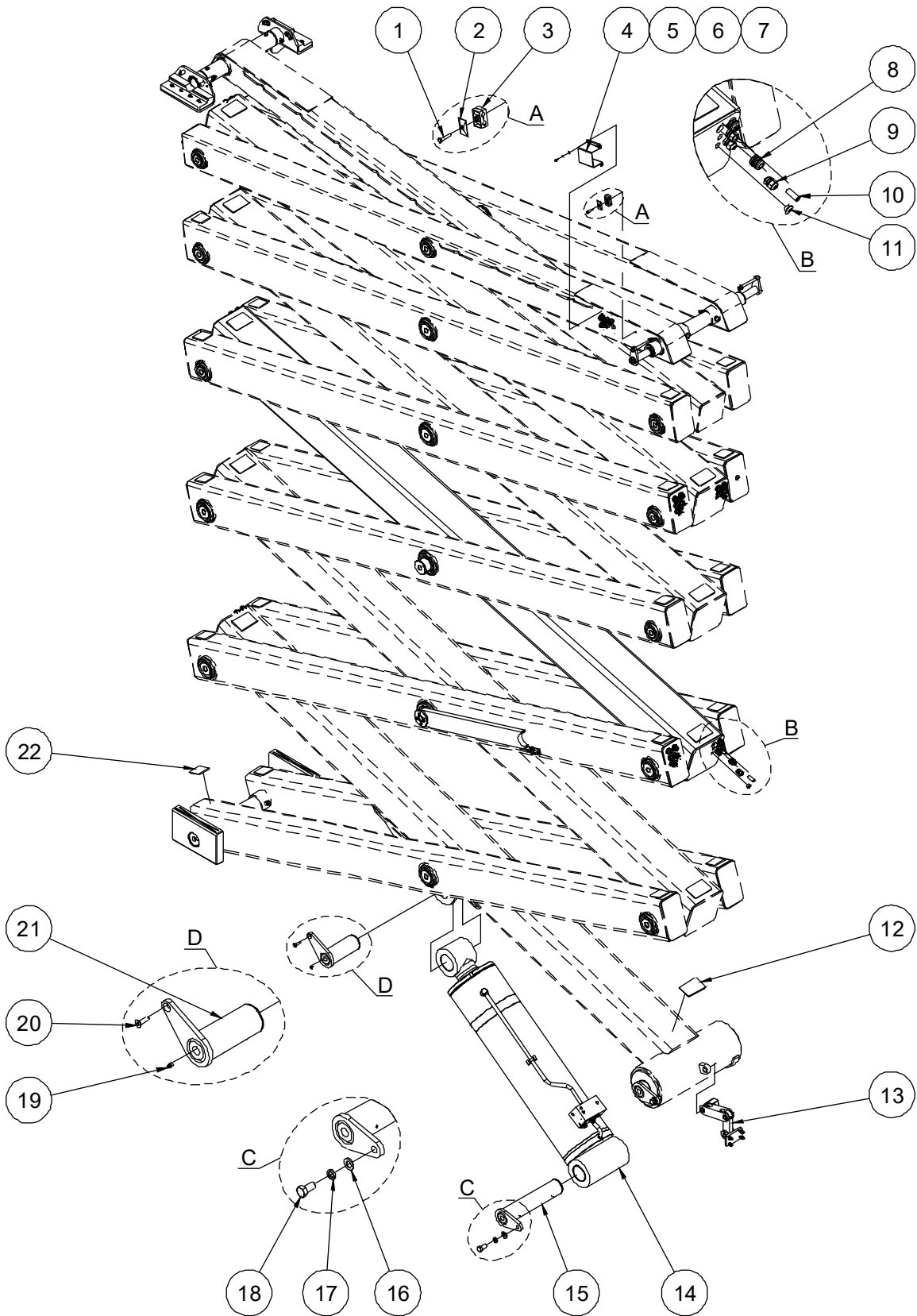
210.1 Platform Slider Assembly



210.1 Platform Slider Assembly

Item	Part No.	Description	Qty.
1	00002050	Screw GB/T 70.1 M10×40	4
2	10009349	Platform slider	1
3	10009348	Slider bracket	1
4	00000615	Washer GB/T 97.1 10	4
5	00000623	Nut GB/T 6182 M10	4
6	00000875	Bolt GB/T 5783 M8×20	2
7	00000609	Washer GB/T 93 8	2
8	00000608	Washer GB/T 97.1 8	2
9	10009353	Pin	2

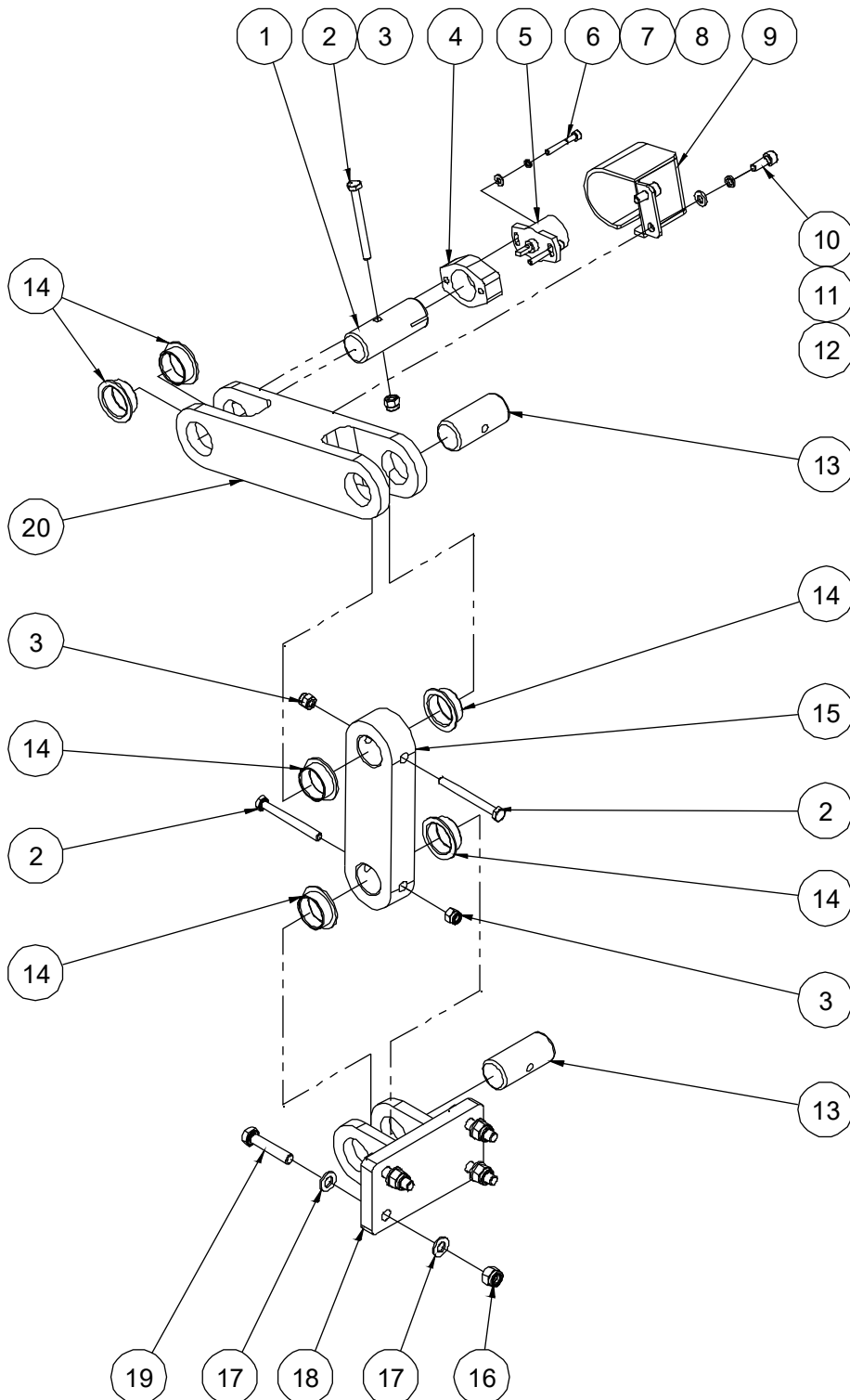
211.1 Lift cylinder and Scissor Accessory Installation



211.1 Lift cylinder and Scissor Accessory Installation

Item	Part No.	Description	Qty.
1	00002604	Bolt GB/T 5783 M8×40	1
2	10000047	Base plate	1
3	00000538	Hose clamp	1
4	10017530	Cover	1
5	00000605	Washer GB/T 97.1 5	4
6	00000606	Washer GB/T 93 5	4
7	00001252	Screw GB/T 70.1 M5×12	4
8	00001829	Water-proof joint M30×1.5	24
9	00006128	Water-proof joint M20×1.5	A/R
10	10009675	Sheath	24
11	00006177	Cover	14
12	10009674	Block	10
13		Rotary sensor assembly (refer to 212.1)	1
14		Lift cylinder assembly (without seal kit) (refer to 401.1)	1
15	10009366	Pin	1
16	00001050	Washer GB/T 97.1 20	2
17	00002219	Washer GB/T 93 20	2
18	00002264	Bolt GB/T 5783 M20×40	1
19	00004483	Grease nipple GB/T 1152 M10×1	40
20	00000857	Screw GB/T 70.3 M12×40	1
21	10009370	Pin	1
22	10009673	Block	20

212.1 Rotary Sensor Assembly

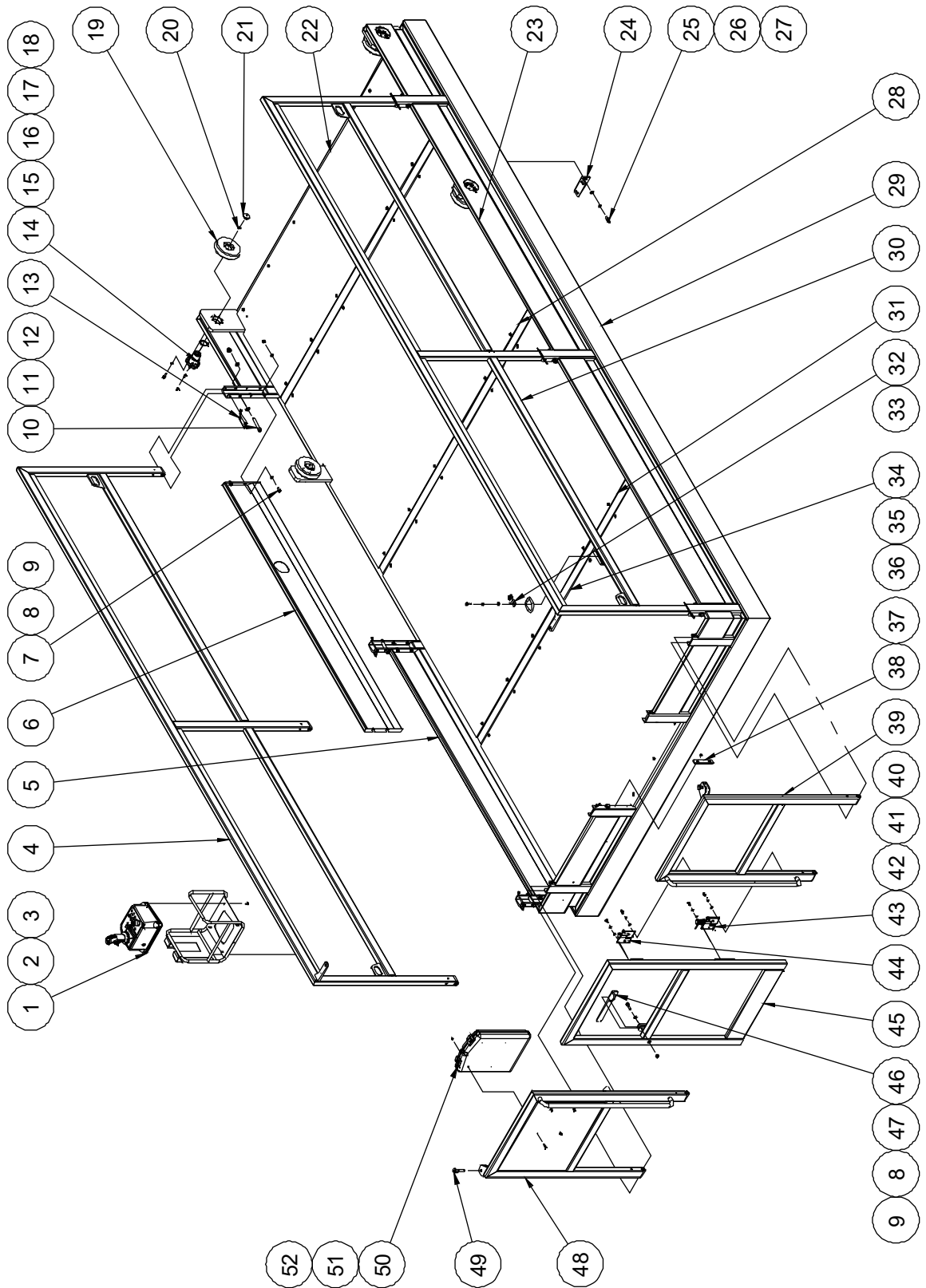


212.1 Rotary Sensor Assembly

Item	Part No.	Description	Qty.
1	10009584	Pin	1
2	00002335	Bolt GB/T 5782 M6×60	3
3	00001033	Nut GB/T 6182 M6	3
4	10001569	Sensor bracket	1
5	00000644	Rotary sensor	1
6	00002415	Screw GB/T 70.1 M4×30	2
7	00000779	Washer GB/T 93 4	2
8	00000778	Washer GB/T 97.1 4	2
9	10016634	Protect cover	1
10	00000876	Screw GB/T 70.1 M6×16	2
11	00000621	Washer GB/T 93 6	2
12	00000620	Washer GB/T 97.1 6	2
13	00006176	8942-2555 Pin	2
14	00006178	8822-2511 Bearing	6
15	10009583	Link plate	1
16	00001163	Nut GB/T 6182 M8	4
17	00000608	Washer GB/T 97.1 8	8
18	10009587	Bracket	1
19	00002604	Bolt GB/T 5783 M8×40	4
20	10009582	Link plate	1

Section 3 Platform

301.1 Main Platform Assembly



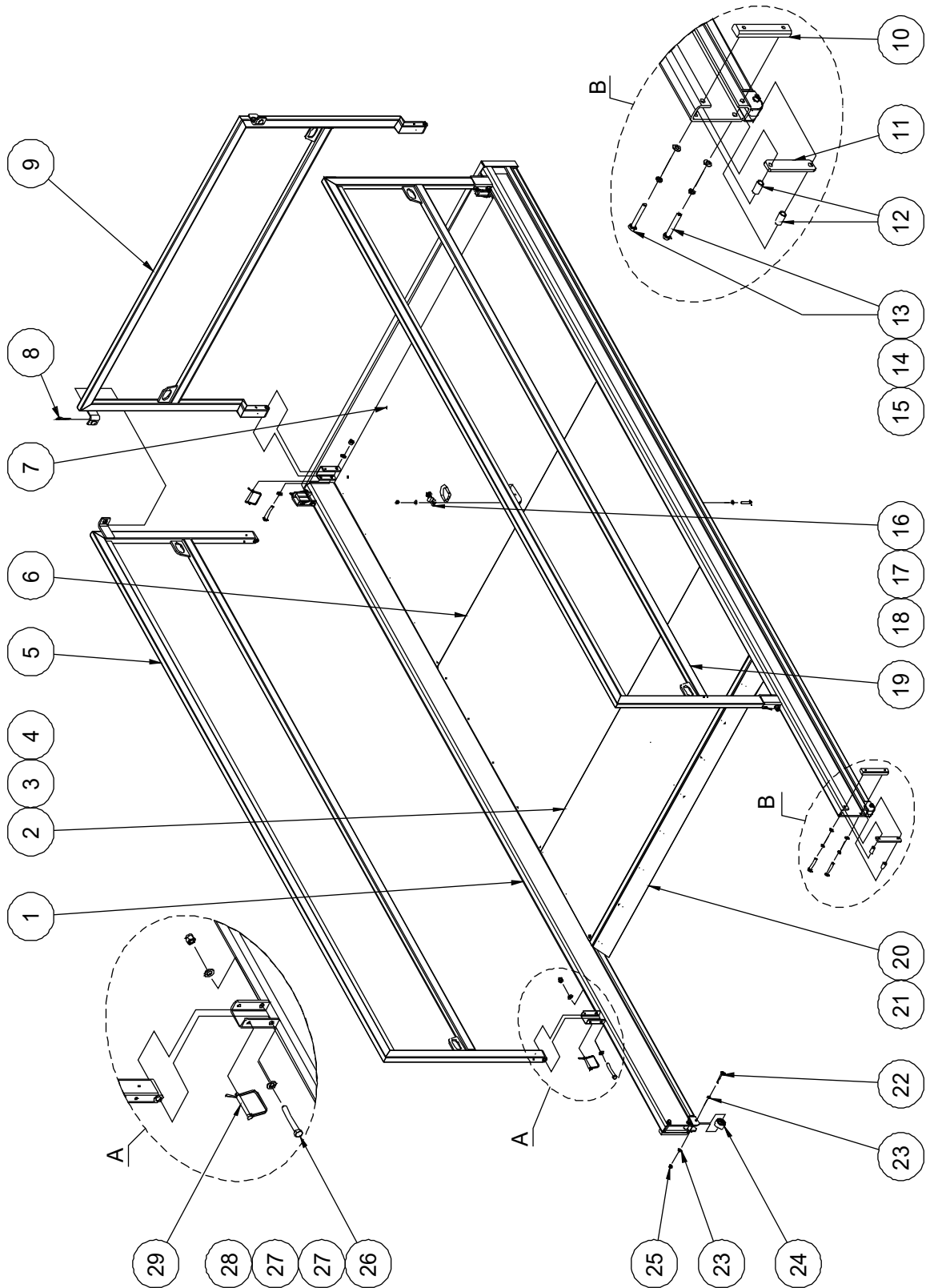
301.1 Main Platform Assembly

Item	Part No.	Description	Qty.
1		Platform control box assembly (refer to 303.1)	1
2	10011382	Platform control box mount bracket (without cover)	1
	10017028	Platform control box mount bracket (with cover)	1
3	00001986	Screw GB/T 818 M6×16 - H	4
4	10011306	Right main rail	1
5	10011291	Toeboard weldment	2
6	10011294	Toeboard weldment	1
7	00000875	Bolt GB/T 5783 M8×20	18
8	00000608	Washer GB/T 97.1 8	36
9	00001163	Nut GB/T 6182 M8	17
10	00002527	Bolt GB/T 5782 M12×80	10
11	00000814	Washer GB/T 97.1 12	20
12	00001249	Nut GB/T 6182 M12	10
13	10012090	Inserted pin	10
14	10014045	Pin	4
15	00005165	Screw GB/T 79 M10×20	8
16	00002555	Screw GB/T 70.1 M8×25	32
17	00000609	Washer GB/T 93 8	34
18	00000944	Circlips GB/T 894.1-40	4
19	10011328	Roller	4
20	10006579	Washer	4
21	10006578	Block	4
22	10011343	Main platform deck plate 4	1
23	10011296	Toeboard weldment	1
24	10011326	Cylinder seat	1
25	00002249	Screw GB/T 70.1 M10×20	2
26	00000679	Washer GB/T 93 10	2
27	00000615	Washer GB/T 97.1 10	2
28	10011342	Main platform deck plate 3	1

301.1 Main Platform Assembly

Item	Part No.	Description	Qty.
29	10011253	Main deck weldment	1
30	10011298	Left main rail	1
31	10011341	Main platform deck plate 2	1
32	10018899	Ring bracket	1
33	10018898	Ring	1
34	10011340	Main platform deck plate 1 (standard)	1
	10019087	Main platform deck plate 1 (option)	1
35	00006322	Rivet GB/T 12618.4 4.8×30	55
36	00003545	Washer GB/T 96.1 5	55
37	00000830	Screw GB/T 70.3 M6×16	2
38	10013186	Block	1
39	10011307	Front rail 1	1
40	00000818	Bolt GB/T 5783 M6×16	12
41	00000621	Washer GB/T 93 6	12
42	00000620	Washer GB/T 97.1 6	12
43	10000302	Hinge B	1
44	10000299	Hinge A	1
45	10011318	Entry gate	1
46	10011325	Latch handle	1
47	00002604	Bolt GB/T 5783 M8×40	1
48	10011315	Front rail 2	1
49	10012192	Inserted pin	2
50	50000555	Manual box	1
51	00002523	Screw GB/T 973 M5×16	4
52	00002573	Nut GB/T 6183.1 M5	4

302.1 Platform Extension Assembly



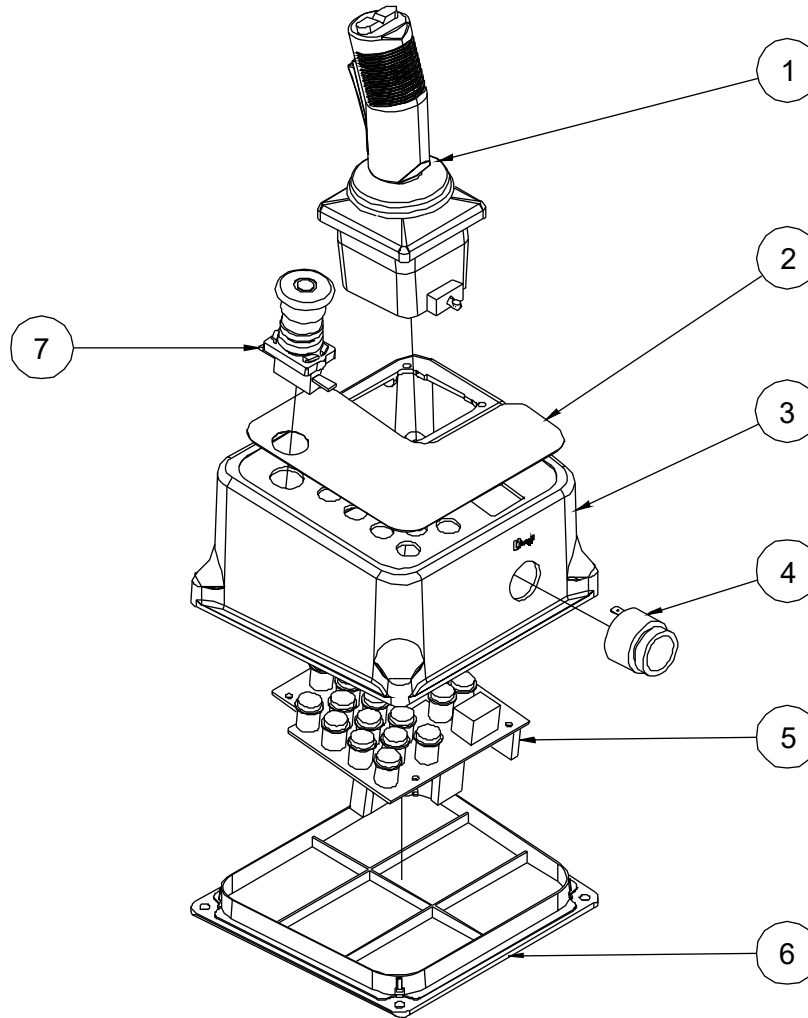
302.1 Platform Extension Assembly

Item	Part No.	Description	Qty.
1	10011345	Extension deck weldment	1
2	10013532	Platform extension deck plate	1
3	00006322	Rivet GB/T 12618.4 4.8×30	39
4	00003545	Washer GB/T 96.1 5	39
5	10011359	Right extension rail	1
6	10013533	Platform extension deck plate (standard)	1
	10019089	Platform extension deck plate (option)	1
7	10019088	Platform extension deck plate	1
8	10011337	Cotter pin	2
9	10011366	Rear rail	1
10	10011376	Baffle plate	2
11	10011377	Baffle plate	2
12	10011378	Spacer sleeve	4
13	00002512	Bolt GB/T 5782 M10×70	4
14	00000679	Washer GB/T 93 10	4
15	00000615	Washer GB/T 97.1 10	4
16	10018899	Ring bracket	1
17	10018898	Ring	1
18	00003607	Bolt GB/T 5783 M8×50	2
19	10011365	Left extension rail	1
20	10012091	Rubber plate	1
21	00001991	Rivet GB/T 12618.4 4.8×16	18
22	00003136	Screw GB/T 70.1 M8×55	2
23	00000608	Washer GB/T 97.1 8	8
24	10011379	Roller	2
25	00001163	Nut GB/T 6182 M8	4
26	00002527	Bolt GB/T 5782 M12×80	6
27	00000814	Washer GB/T 97.1 12	12
28	00001249	Nut GB/T 6182 M12	6

302.1 Platform Extension Assembly

Item	Part No.	Description	Qty.
29	10012090	Inserted pin	6

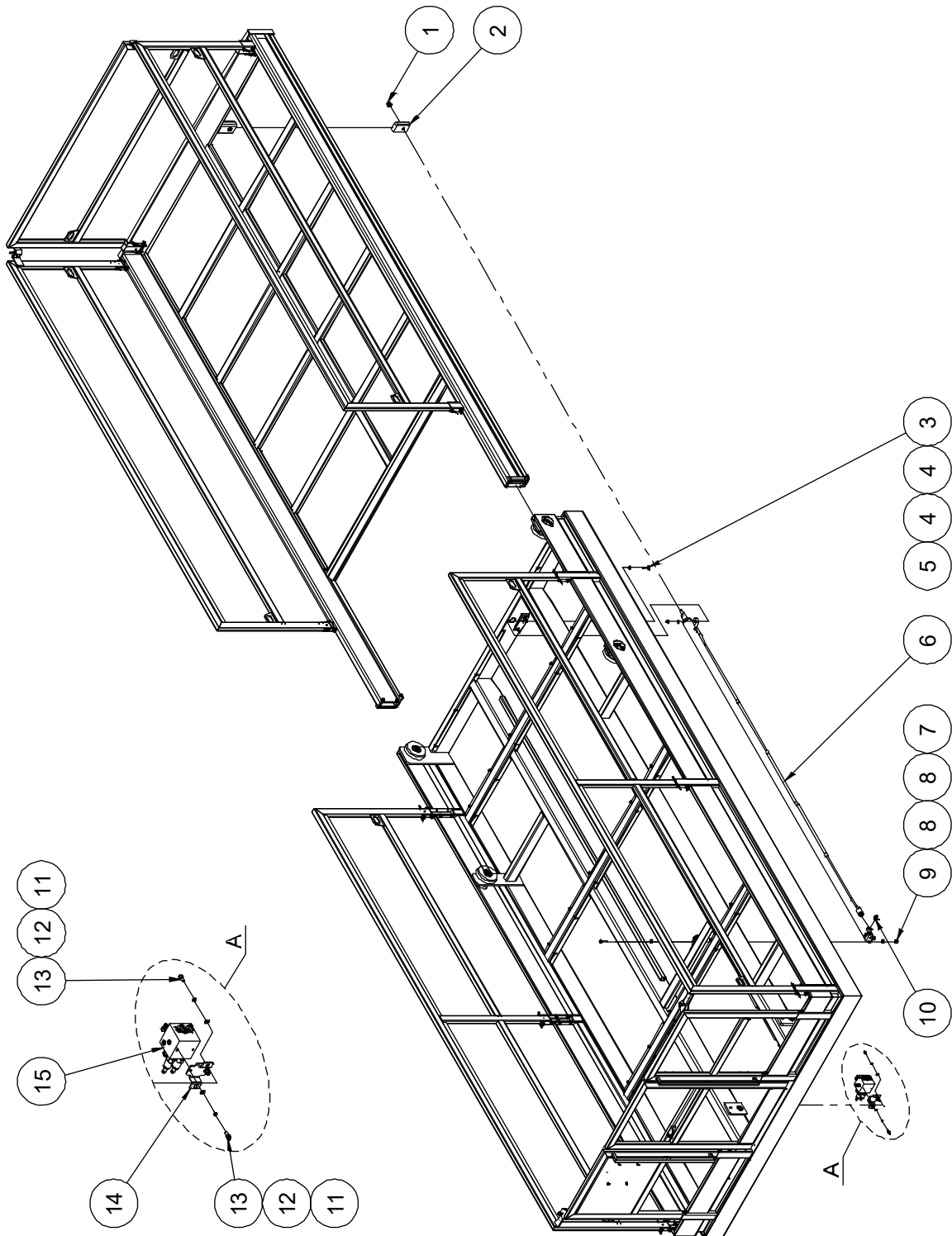
303.1 Platform Control Box Assembly



303.1 Platform Control Box Assembly

Item	Part No.	Description	Qty.
1	00004358	Joystick	1
2	09140043	Decal, Platform control panel	1
3	00004356	Enclosure	1
4	00000712	Alarm	1
5	00004357	Main board	1
6	00004355	Cover bottom	1
7	00000713	Emergency stop switch	1

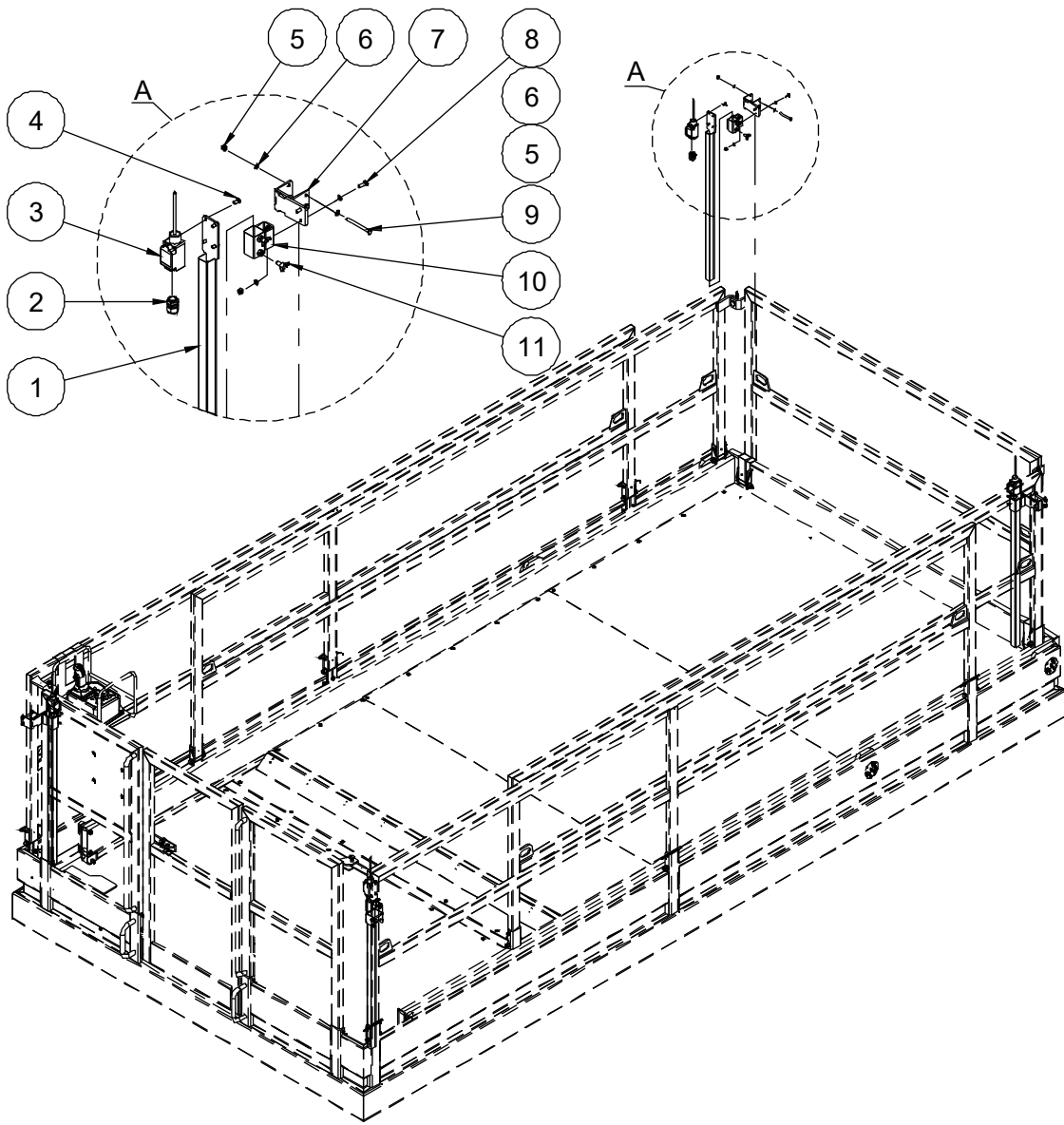
304.1 Top Telescopic Cylinder Assembly



304.1 Top Telescopic Cylinder Assembly

Item	Part No.	Description	Qty.
1	00001257	Nut GB/T 6182 M16	1
2	10011381	Locating plate	1
3	00002411	Bolt GB/T 5783 M10×45	2
4	00000615	Washer GB/T 97.1 10	4
5	00000623	Nut GB/T 6182 M10	2
6	10011520	Extension cylinder	1
--	00006645	Seal kit	1
7	00001055	Bolt GB/T 5783 M12×40	2
8	00000814	Washer GB/T 97.1 12	4
9	00001249	Nut GB/T 6182 M12	2
10	00002921	Straight fitting	2
11	00000608	Washer GB/T 97.1 8	4
12	00000609	Washer GB/T 93 8	4
13	00002051	Screw GB/T 70.1 M8×16	4
14	10011369	Bracket	1
15		Counterbalance manifold assembly (refer to 406.1)	1

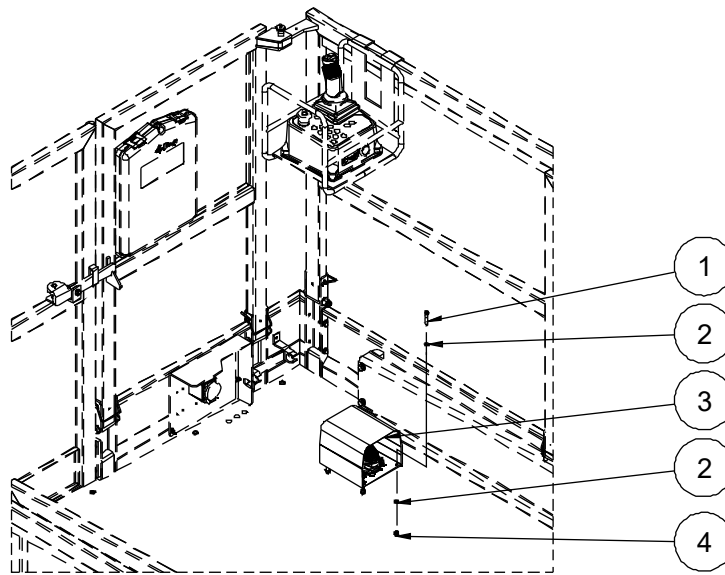
305.1 Protective Device Assembly (Option)



305.1 Protective Device Assembly (Option)

Item	Part No.	Description	Qty.
1	10001704	Switch rod	4
2	00005422	Water-proof joint M20	4
3	00002606	Limit switch	4
4	00001060	Screw GB/T 818 M6×12 - H	16
5	00001033	Nut GB/T 6182 M6	16
6	00000620	Washer GB/T 97.1 6	32
7	10021157	Bracket	4
8	00000743	Bolt GB/T 5783 M6×20	8
9	00002600	Bolt GB/T 5782 M6×70	8
10	10021160	Bracket	4
11	00002586	Screw M8×16	8

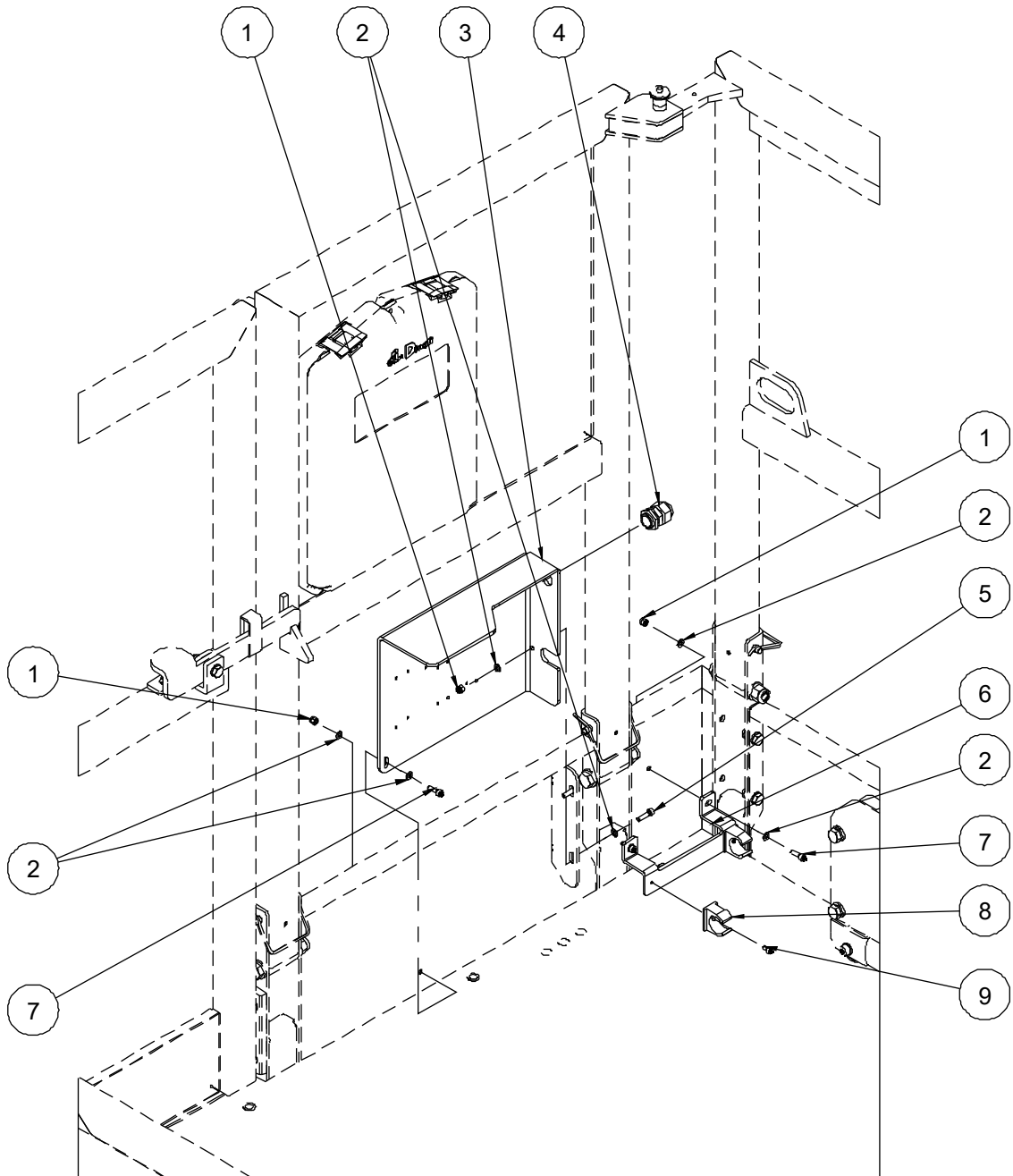
306.1 Footswitch Installation (Option)



306.1 Footswitch Installation (Option)

Item	Part No.	Description	Qty.
1	00002934	Screw GB/T 70.1 M6×35	4
2	00000620	Washer GB/T 97.1 6	8
3	00005212	Footswitch	1
4	00001033	Nut GB/T 6182 M6	4

307.1 Platform cable plate

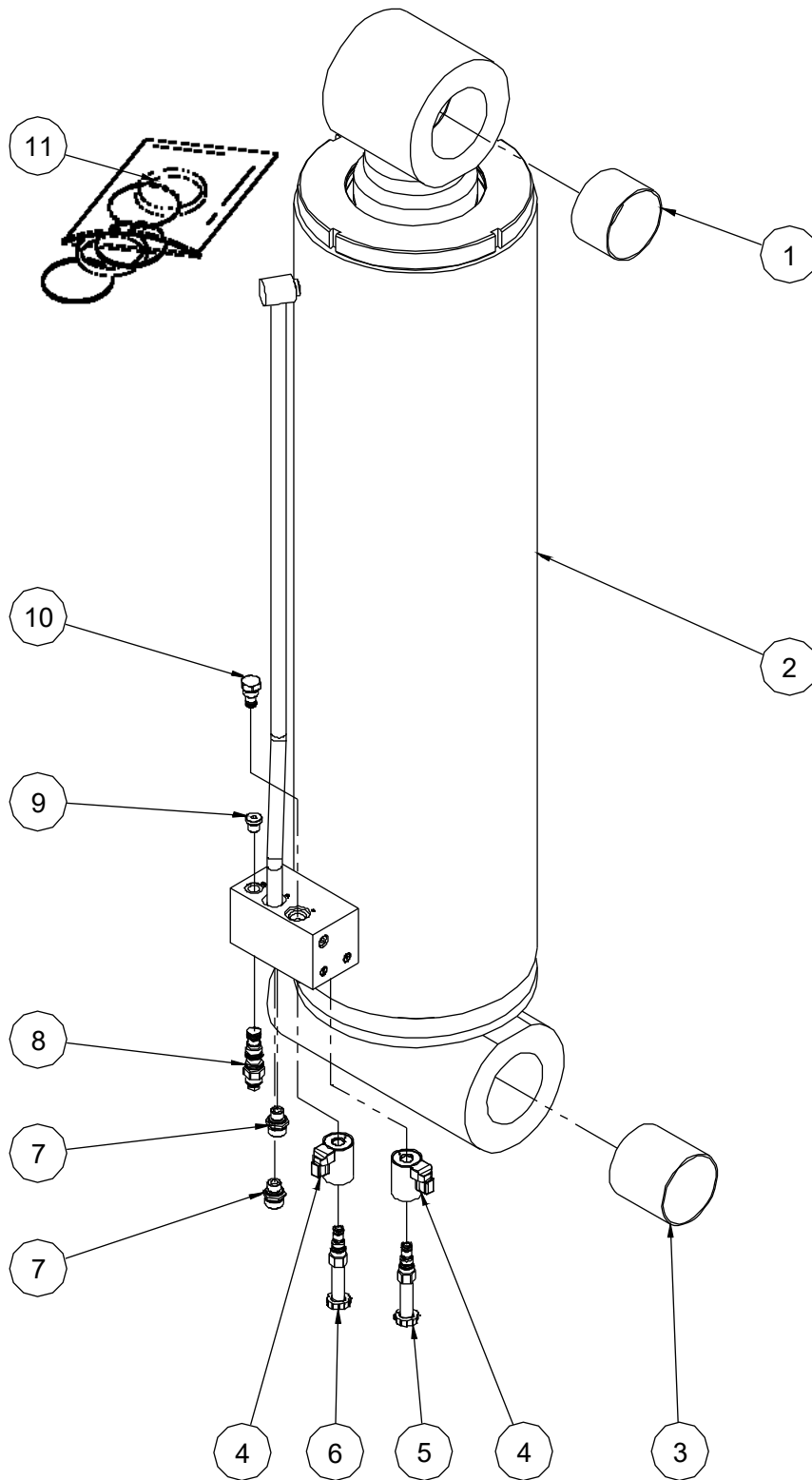


307.1 Platform cable plate

Item	Part No.	Description	Qty.
1	00000613	Nut GB/T 6182 M5	5
2	00000605	Washer GB/T 97.1 5	10
3	10013157	Socket mount plate	1
4	00001828	Water-proof joint M20	1
5	00000817	Screw GB/T 70 M5×20	2
6	10019830	Bracket	1
7	00001246	Screw GB/T 70 M5×16	3
8	00001823	Clip 24	2
9	00001987	Screw GB/T 70 M4×8	2

Section 4 Hydraulic System

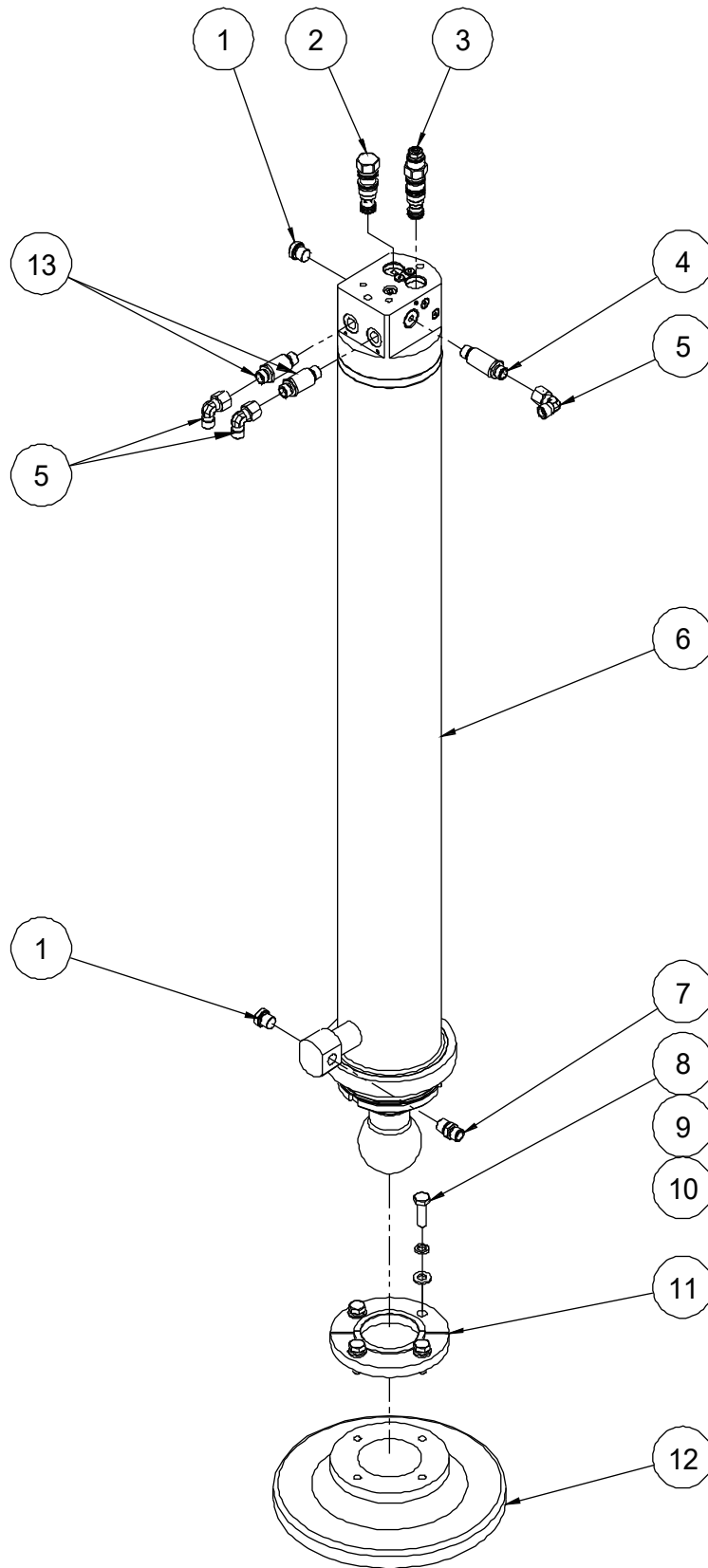
401.1 Lift Cylinder Assembly



401.1 Lift Cylinder Assembly

Item	Part No.	Description	Qty.
1	00006149	8812-909560A Bearing	2
2	10011850	Lift cylinder	1
3	00006140	8812-909590A Bearing	2
4	00004592	Coil	2
5	00004591	Solenoid valve spool	1
6	00006453	Proportional valve	1
7	00001265	Straight fitting	2
8	00004587	Counterbalance valve spool	1
9	00001073	Plug VSTI14×1.5ED	1
10	10000404	Check valve	1
11	00006506	Seal kit	1

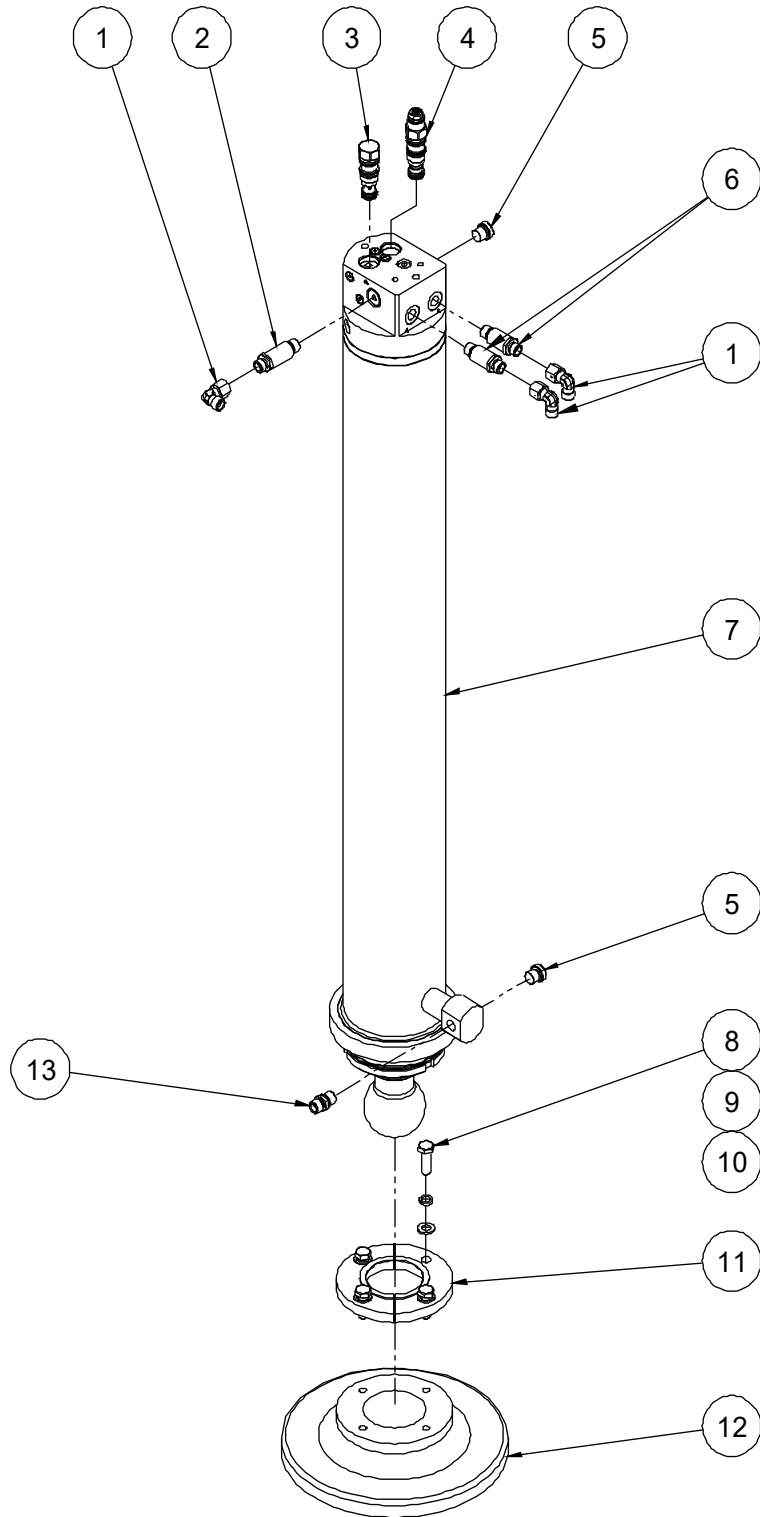
402.1 Left Outrigger Cylinder Assembly



402.1 Left Outrigger Cylinder Assembly

Item	Part No.	Description	Qty.
1	00001073	Plug VST114×1.5ED	2
2	00009693	Pilot-operated check valve (CK1, CK2, CK3, CK4)	1
3	00009755	Counterbalance valve spool (CB1, CB2, CB3, CB4)	1
4	00010021	Straight fitting	1
5	00001832	Elbow	3
6	10022637	Outrigger cylinder	1
--	00009694	Seal kit	1
6	10022402	Outrigger cylinder	1
--	00010865	Seal kit	1
7	00001282	Straight fitting	1
8	00000683	Bolt GB/T 5783 M10×30	4
9	00000679	Washer GB/T 93 10	4
10	00000615	Washer GB/T 97.1 10	4
11	10011095	Retainer	1
12	10011094	Outrigger footpad	1
13	00003758	Elbow	2

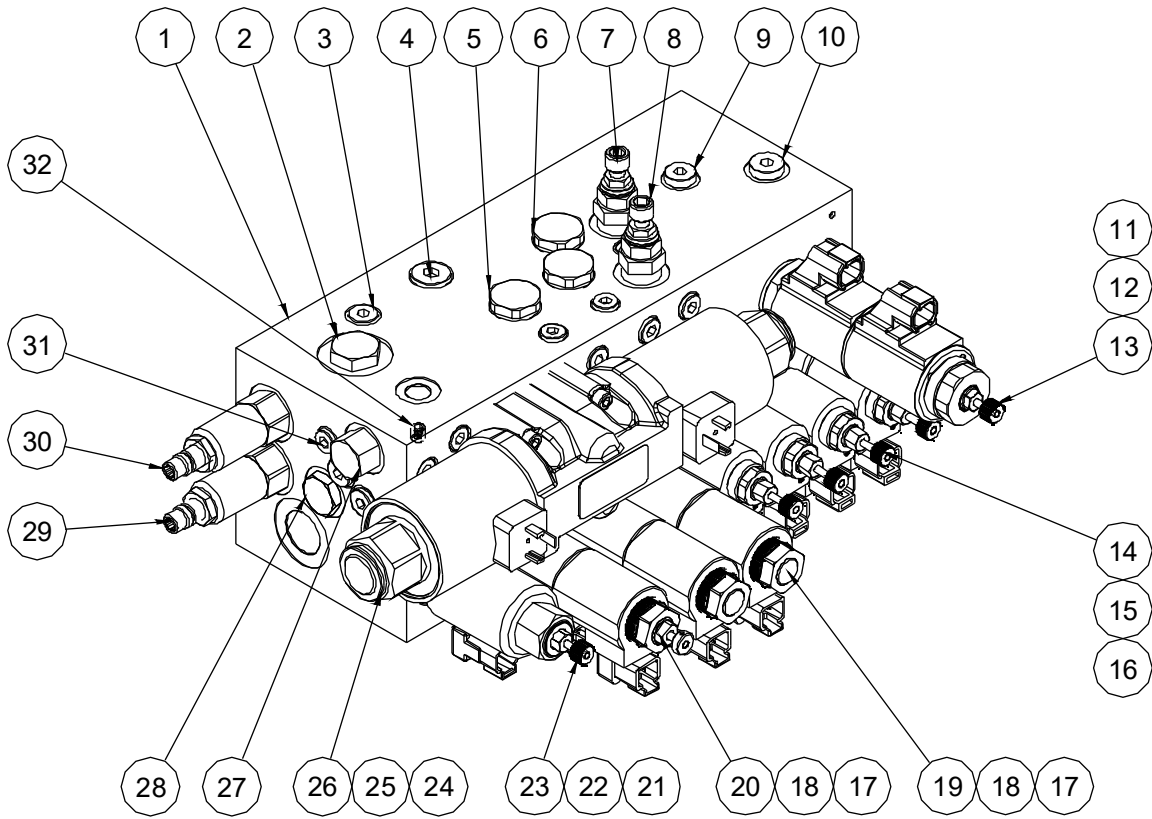
403.1 Right Outrigger Cylinder Assembly



403.1 Right Outrigger Cylinder Assembly

Item	Part No.	Description	Qty.
1	00001832	Elbow	3
2	00010021	Straight fitting	1
3	00009693	Pilot-operated check valve (CK1, CK2, CK3, CK4)	1
4	00009755	Counterbalance valve spool (CB1, CB2, CB3, CB4)	1
5	00001073	Plug VST114×1.5ED	2
6	00003758	Straight fitting	2
7	10022637	Outrigger cylinder	1
--	00009694	Seal kit	1
7	10022402	Outrigger cylinder	1
--	00010865	Seal kit	1
8	00000683	Bolt GB/T 5783 M10×30	4
9	00000679	Washer GB/T 93 10	4
10	00000615	Washer GB/T 97.1 10	4
11	10011095	Retainer	1
12	10011094	Outrigger footpad	1
13	00001282	Straight fitting	1

404.1 Function Manifold



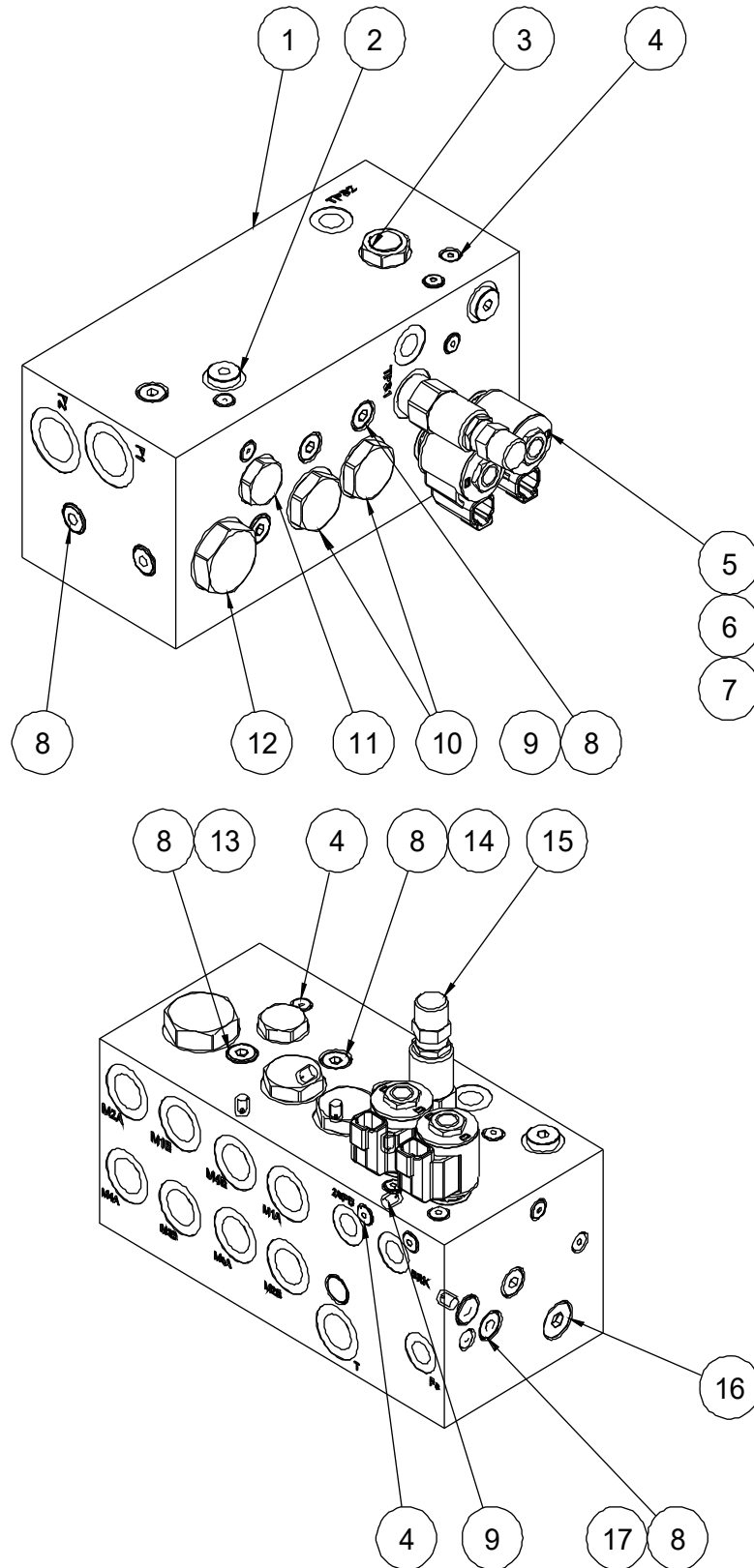
404.1 Function Manifold

Item	Part No.	Description	Qty.
1	00007313	Valve body	1
2	00006446	Plug (CP1)	1
3	00003361	Plug SAE6	11
4	00003351	Plug SAE8	1
5	00007749	Pilot Operated Check Valve (POC1, POC2, POC3, POC4)	4
6	00007746	Shuttle valve (SH1, SH2)	2
7	00007748	Relief valve (RV3)	1
8	00007747	Relief valve (RV4)	1
9	00001072	Plug VST112×1.5ED	1
10	00001073	Plug VST114×1.5ED	3
11	00003318	Coil	2
12	00003354	Nut	1
13	00000313	Solenoid valve spool (SV5)	1
14	00000312	Solenoid valve spool (SV4, SV6, SV7, SV8)	4
15	00003320	Coil	4
16	00003352	Nut	4
17	00003319	Coil	6
18	00003353	Nut	3
19	00004307	Proportional valve (SV2, SV3)	2
20	00007750	Solenoid valve spool (SV9)	1
21	00000314	Coil	1
22	00004340	Nut	1
23	00000310	Proportional valve (PV1)	1
24	00004418	Screw GB/T 70.1 M6×40	4
25	00000621	Washer GB/T 93 6	4
26	00000306	Solenoid valve (SV1)	1
27	00004313	Flow control valve (FC1)	1
28	00003677	Plug (CP2)	1
29	00004327	Relief valve (RV1)	1

404.1 Function Manifold

Item	Part No.	Description	Qty.
30	00003293	Relief valve (RV2)	1
31	00002998	Plug SAE4	25
32	00000274	Orifice M8×1_Φ0.75	1

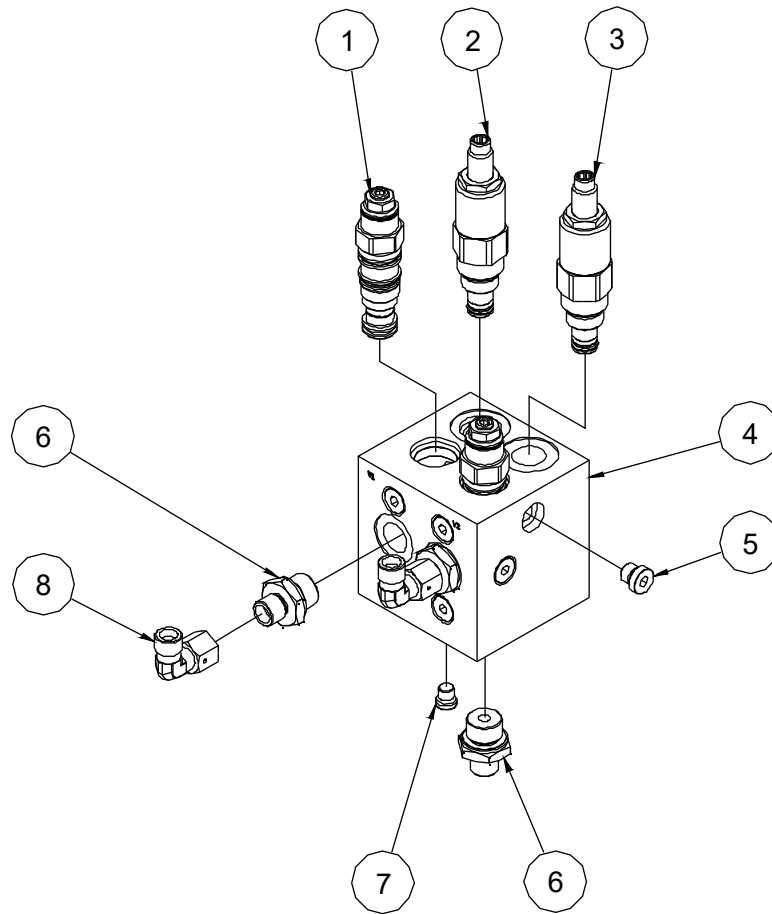
405.1 Drive Manifold



405.1 Drive Manifold

Item	Part No.	Description	Qty.
1	00009984	Valve body	1
2	00001073	Plug VST114×1.5ED	2
3	00003920	Shuttle valve (HS1)	1
4	00002999	Plug SAE2	13
5	00004091	Coil	2
6	00003916	Solenoid valve spool (SV12, SV13)	2
7	00003017	Nut	2
8	00003361	Plug SAE6	12
9	00003000	Orifice $\Phi 1.0$	2
10	00003918	Flow divider/combiner valve (FD1, FD2)	2
11	00003921	Shuttle valve (LS1)	1
12	00003919	Flow divider/combiner valve (FD3)	1
13	00004600	Orifice 3/8-16_ $\Phi 2.3$	1
14	00004596	Orifice 3/8-16_ $\Phi 1.3$	1
15	00003922	Relief valve (RV1)	1
16	00003351	Plug SAE8	1
17	00003578	Orifice $\Phi 0.8$	2

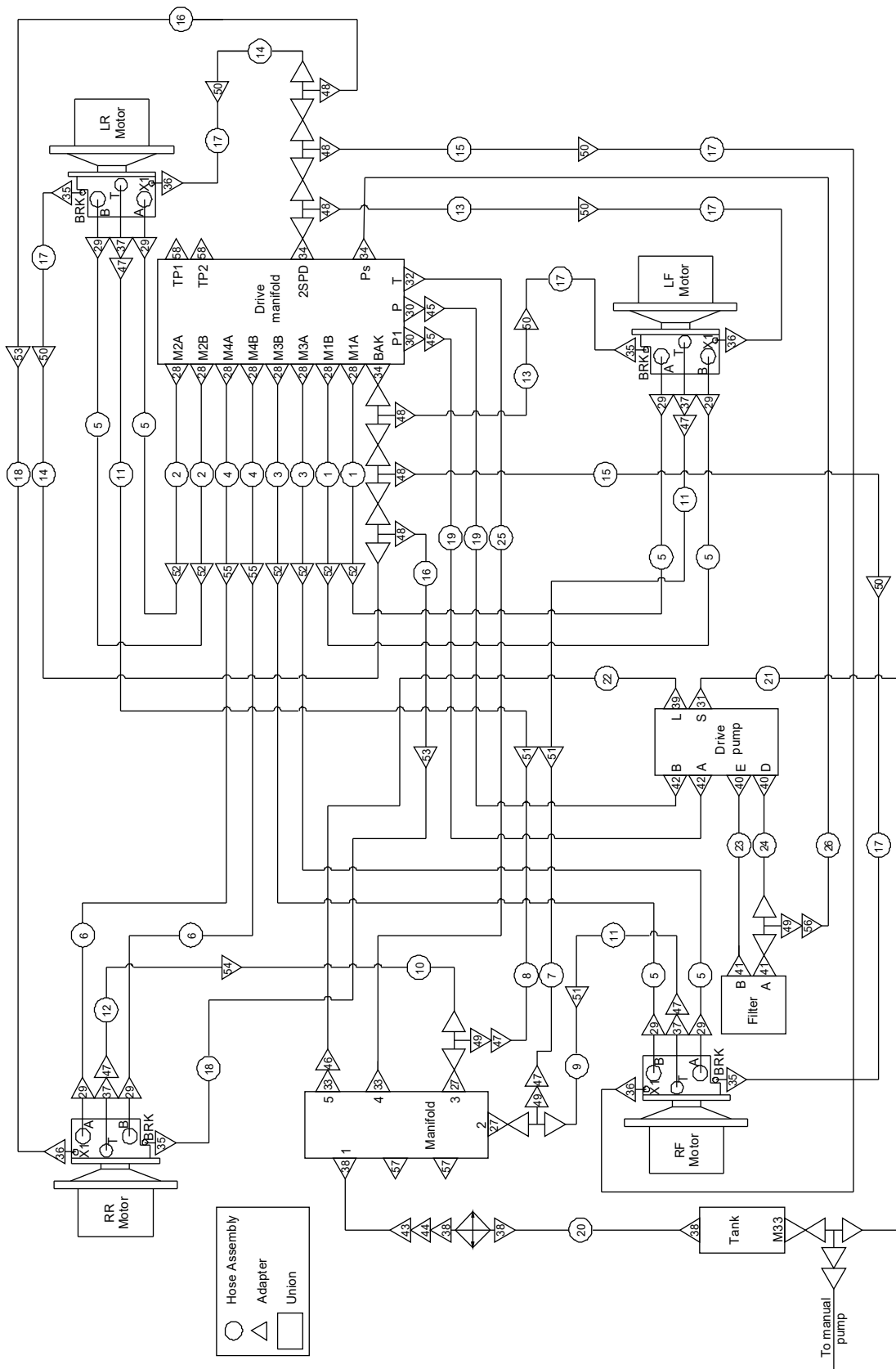
406.1 Counterbalance Manifold Assembly



406.1 Counterbalance Manifold Assembly

Item	Part No.	Description	Qty.
1	00007257	Counterbalance valve spool	2
2	00006792	Relief valve	1
3	00007258	Relief valve	1
4	00007256	Valve body	1
5	00001112	Plug VST11/8ED	8
6	00005693	Straight fitting	4
7	00002999	Plug SAE2	2
8	00001832	Elbow	2

407.1 Hydraulic Hoses and Fittings - Drive



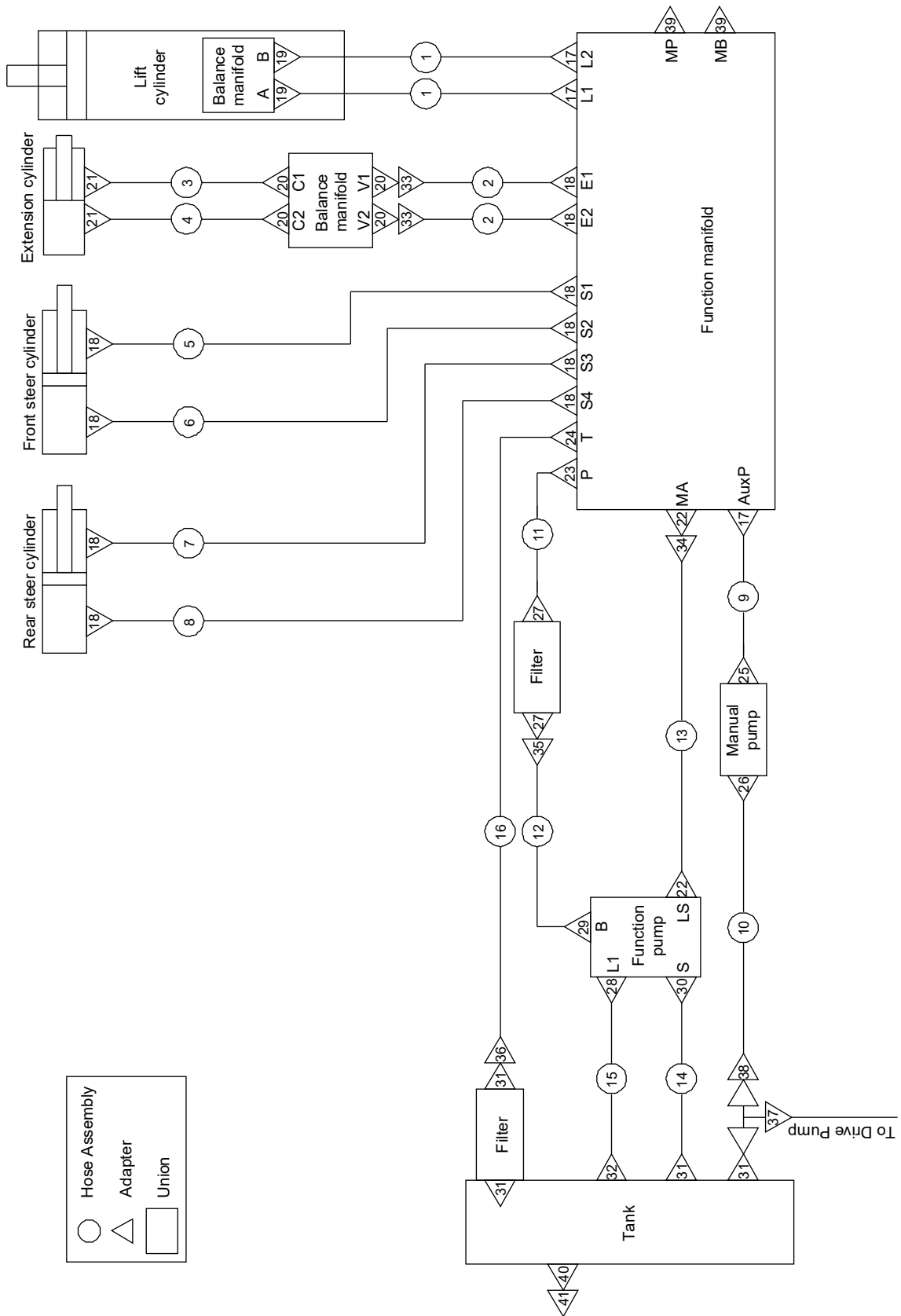
407.1 Hydraulic Hoses and Fittings - Drive

Item	Part No.	Description	Qty.
1	00006365	Hose assembly	2
2	00006366	Hose assembly	2
3	00006367	Hose assembly	2
4	00006637	Hose assembly	2
5	00006368	Hose assembly	6
6	00006369	Hose assembly	2
7	00006370	Hose assembly	1
8	00006371	Hose assembly	1
9	00006372	Hose assembly	1
10	00006373	Hose assembly	1
11	00006374	Hose assembly	3
12	00006375	Hose assembly	1
13	00006376	Hose assembly	2
14	00006378	Hose assembly	2
15	00006331	Hose assembly	2
16	00003642	Hose assembly	2
17	00004196	Hose assembly	6
18	00002300	Hose assembly	2
19	00006379	Hose assembly	2
20	00006380	Hose assembly	1
21	00006806	Hose assembly	1
22	00006382	Hose assembly	1
23	00006377	Hose assembly	1
24	00004523	Hose assembly	1
25	00006383	Hose assembly	1
26	00003641	Hose assembly	1
27	00001266	Straight fitting	2
28	00001283	Straight fitting	8
29	00002073	Straight fitting	8

407.1 Hydraulic Hoses and Fittings - Drive

Item	Part No.	Description	Qty.
30	00001285	Straight fitting	2
31	00006807	Straight fitting	1
32	00001270	Straight fitting	1
33	00001269	Straight fitting	2
34	00001282	Straight fitting	3
35	00001769	Straight fitting	4
36	00002072	Straight fitting	4
37	00001775	Straight fitting	4
38	00002071	Straight fitting	4
39	00001780	Straight fitting	1
40	00001776	Straight fitting	2
41	00002069	Straight fitting	2
42	00001790	Straight fitting	2
43	00005569	Straight fitting	1
44	00001837	Elbow	1
45	00001842	Elbow	2
46	00001836	Elbow	1
47	00001835	Elbow	6
48	00001237	Tee fitting	6
49	00001240	Tee fitting	3
50	00002135	Straight fitting	6
51	00002138	Straight fitting	3
52	00002145	Straight fitting	6
53	00003867	Elbow	2
54	00003870	Elbow	1
55	00004349	Elbow	2
56	00005926	Straight fitting	1
57	00001074	Plug VSTI16×1.5ED	2
58	00001073	Plug VSTI14×1.5ED	2

408.1 Hydraulic Hoses and Fittings - Function



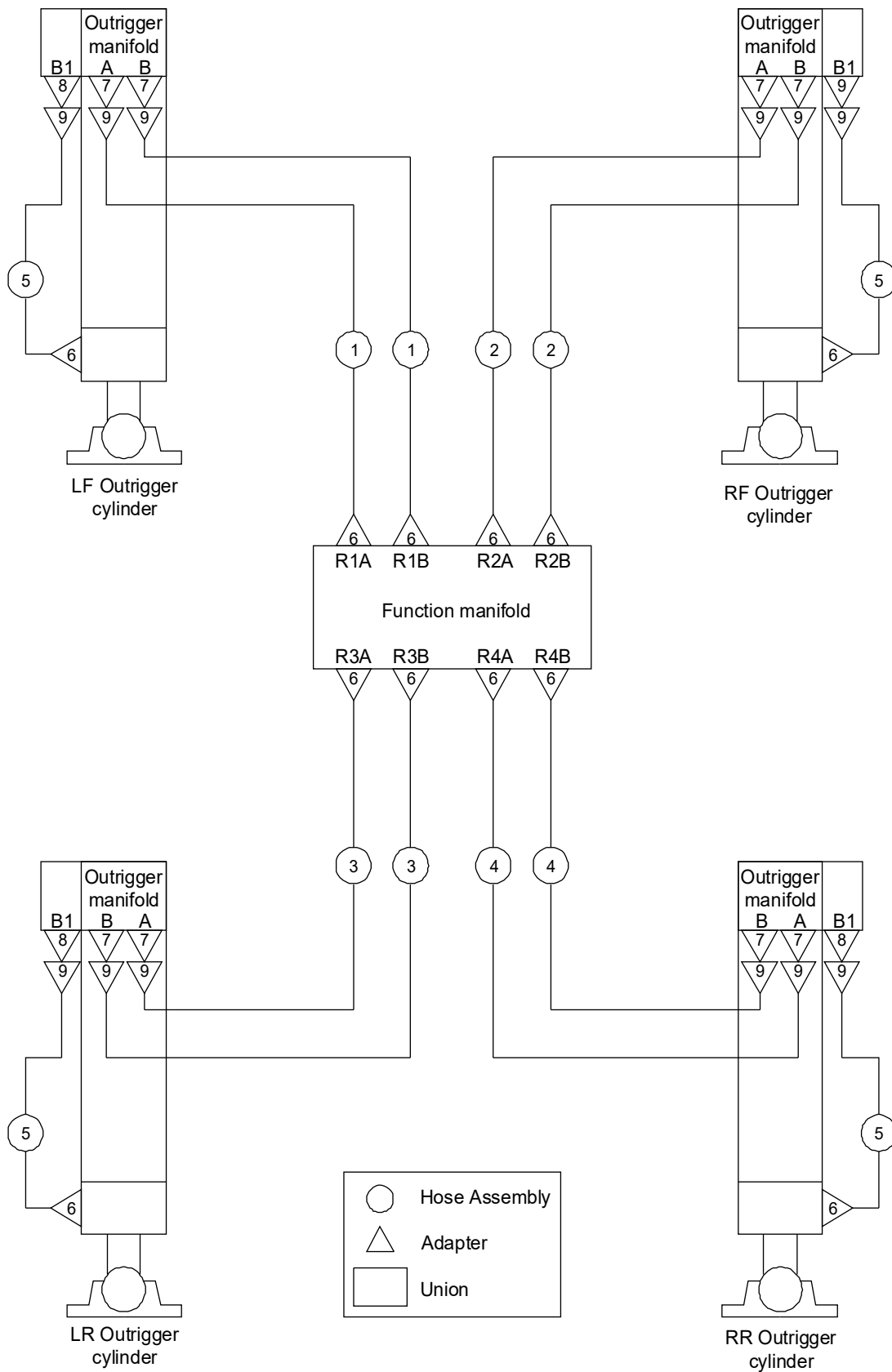
408.1 Hydraulic Hoses and Fittings - Function

Item	Part No.	Description	Qty.
1	00006349	Hose assembly	2
2	00006350	Hose assembly	2
3	00006331	Hose assembly	1
4	00006351	Hose assembly	1
5	00006352	Hose assembly	1
6	00006353	Hose assembly	1
7	00006354	Hose assembly	1
8	00006355	Hose assembly	1
9	00006356	Hose assembly	1
10	00006357	Hose assembly	1
11	00006358	Hose assembly	1
12	00006360	Hose assembly	1
13	00006361	Hose assembly	1
14	00006362	Hose assembly	1
15	00006573	Hose assembly	1
16	00006364	Hose assembly	1
17	00001266	Straight fitting	3
18	00001282	Straight fitting	10
19	00001265	Straight fitting	2
20	00005693	Straight fitting	4
21	00002921	Straight fitting	2
22	00001290	Straight fitting	2
23	00004466	Straight fitting	1
24	00002071	Straight fitting	1
25	00001507	Straight fitting	1
26	00001506	Straight fitting	1
27	00003963	Straight fitting	2
28	00001264	Straight fitting	1
29	00006180	Flange adapter	1

408.1 Hydraulic Hoses and Fittings - Function

Item	Part No.	Description	Qty.
30	00006427	Flange adapter	1
31	00003964	Straight fitting	4
32	00006556	Straight fitting	1
33	00001832	Elbow	2
34	00001833	Elbow	1
35	00001842	Elbow	1
36	00001837	Elbow	1
37	00001242	Tee fitting	1
38	00003844	Straight fitting	1
39	00001073	Plug VST114×1.5ED	2
40	50000197	G3/4 Plug	1
41	50000523	Washer	1

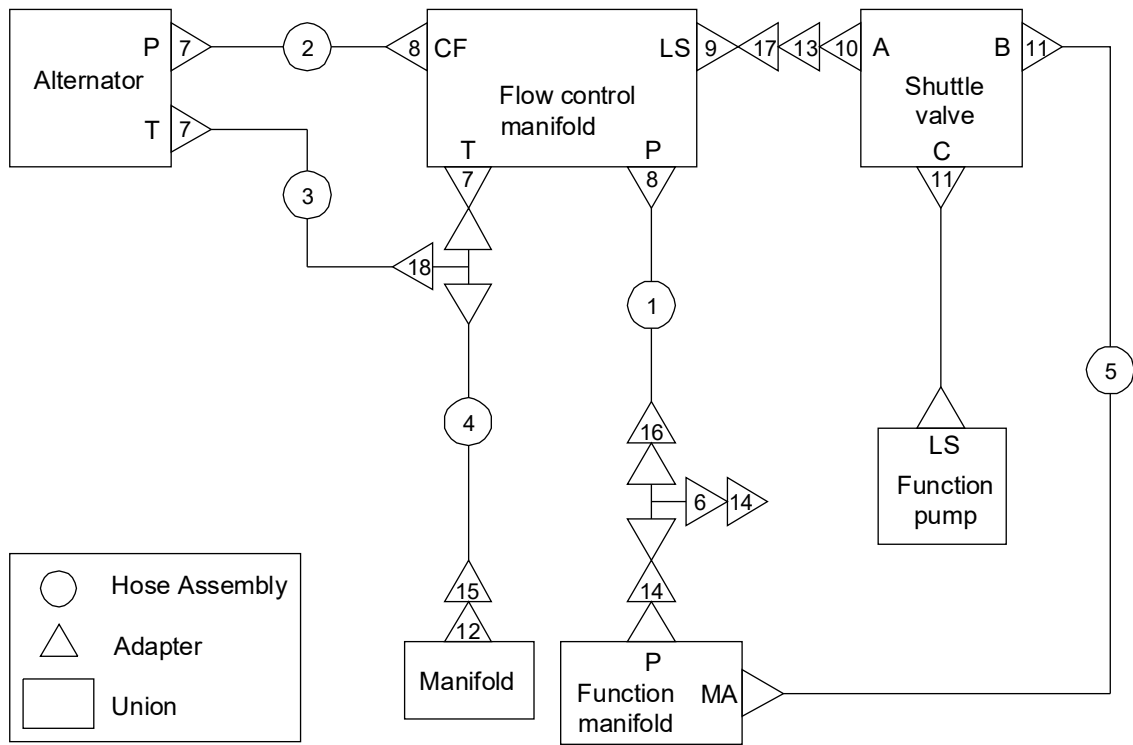
409.1 Hydraulic Hoses and Fittings - Outrigger



409.1 Hydraulic Hoses and Fittings - Outrigger

Item	Part No.	Description	Qty.
1	00006385	Hose assembly	2
2	00006386	Hose assembly	2
3	00004194	Hose assembly	2
4	00006387	Hose assembly	2
5	00006388	Hose assembly	4
6	00001282	Straight fitting	12
7	00003758	Straight fitting	8
8	00010021	Straight fitting	4
9	00001832	Elbow	12

410.1 Hydraulic Hoses and Fittings - Alternator (Option)

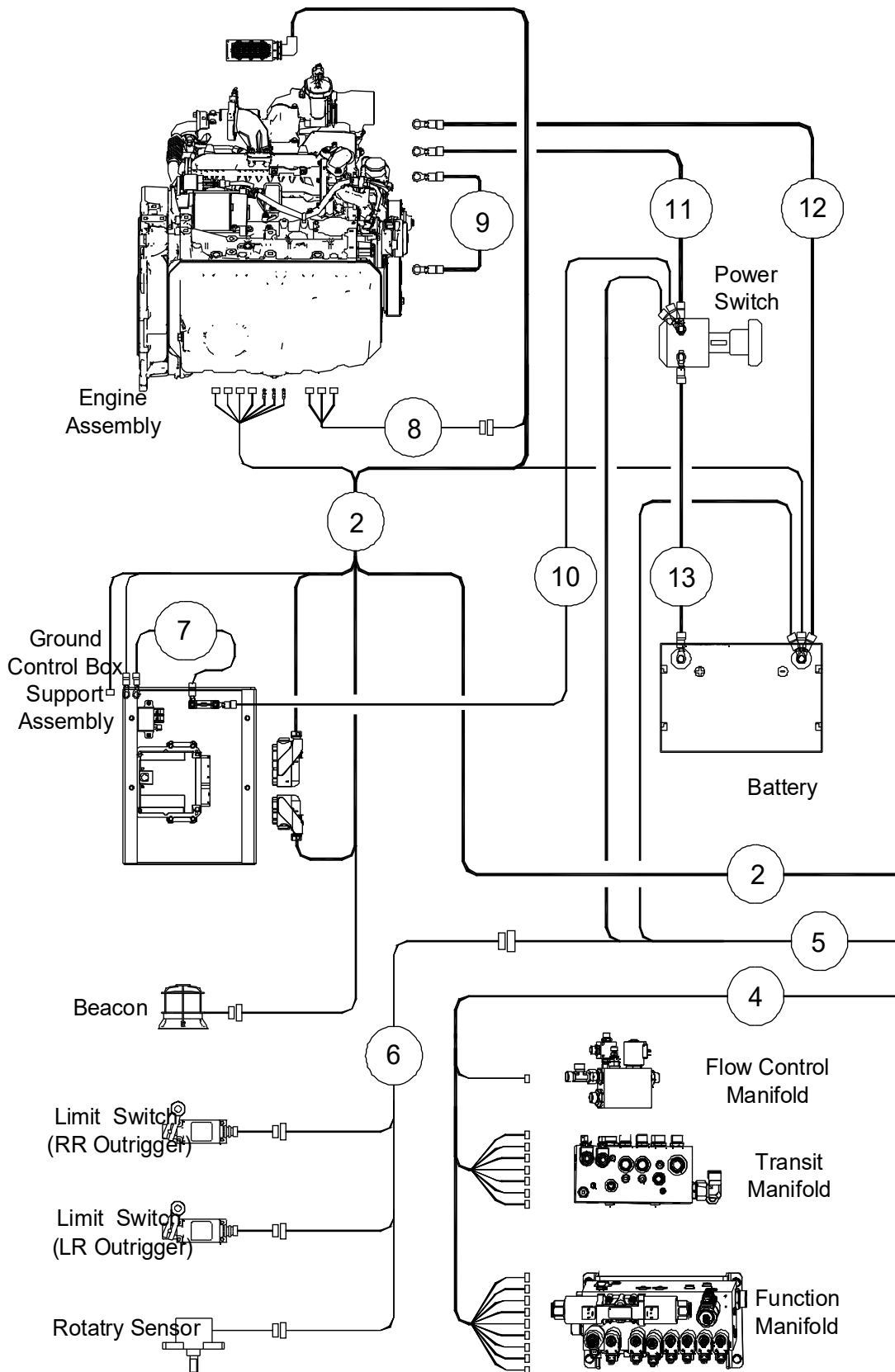


410.1 Hydraulic Hoses and Fittings - Alternator (Option)

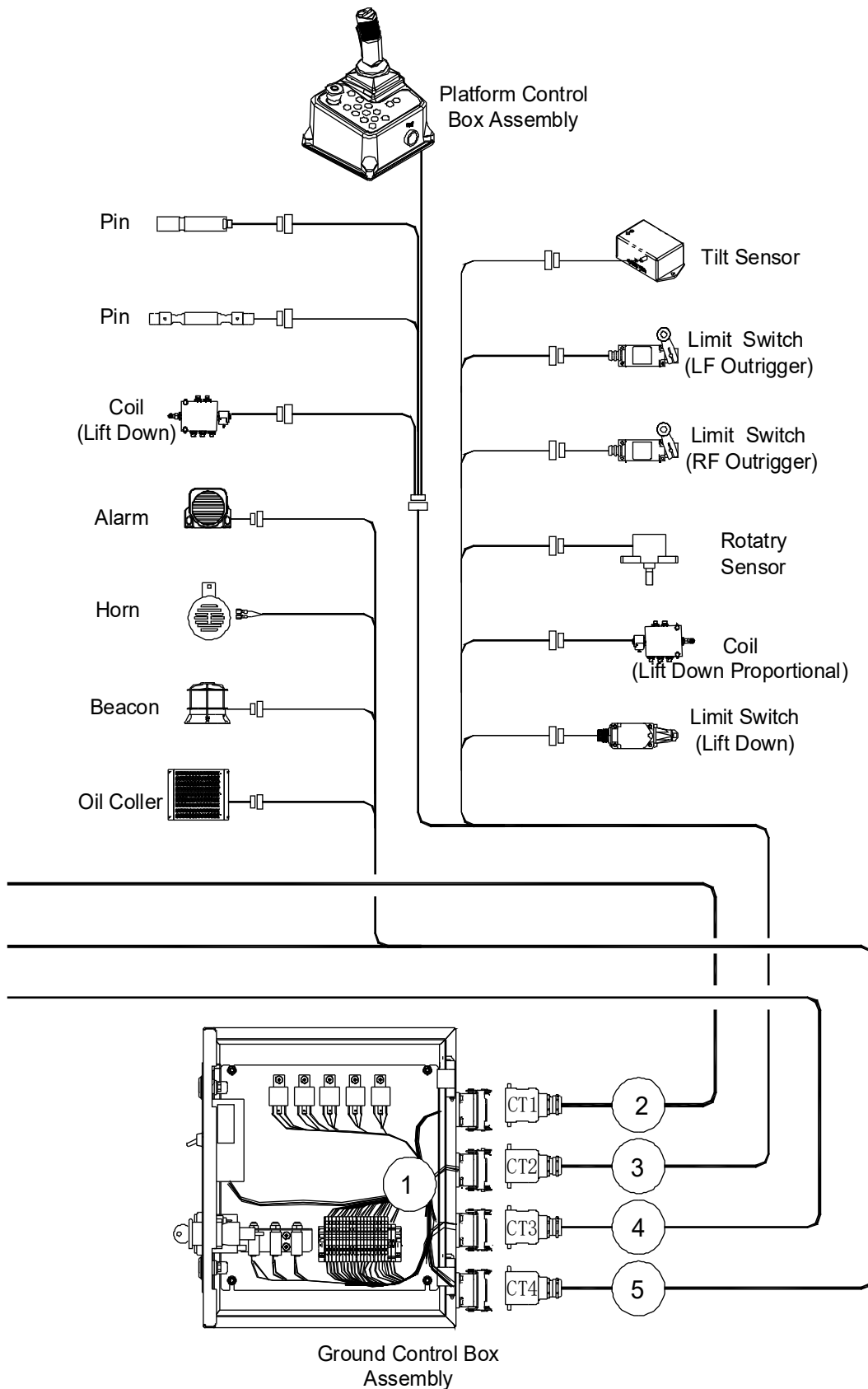
Item	Part No.	Description	Qty.
1	00006395	Hose assembly	1
2	00006396	Hose assembly	1
3	00006397	Hose assembly	1
4	00006561	Hose assembly	1
5	00005204	Hose assembly	1
6	00005205	Tee fitting	1
7	00001506	Straight fitting	3
8	00001508	Straight fitting	2
9	00001314	Straight fitting	1
10	00001316	Straight fitting	1
11	00001318	Straight fitting	2
12	00001265	Straight fitting	1
13	00005208	Straight fitting	1
14	00001842	Elbow	2
15	00001835	Elbow	1
16	00001841	Elbow	1
17	00001832	Elbow	1
18	00001240	Tee fitting	1

Section 5 Electrical System

501.1 Electrical Harness (EU Stage V Engine)



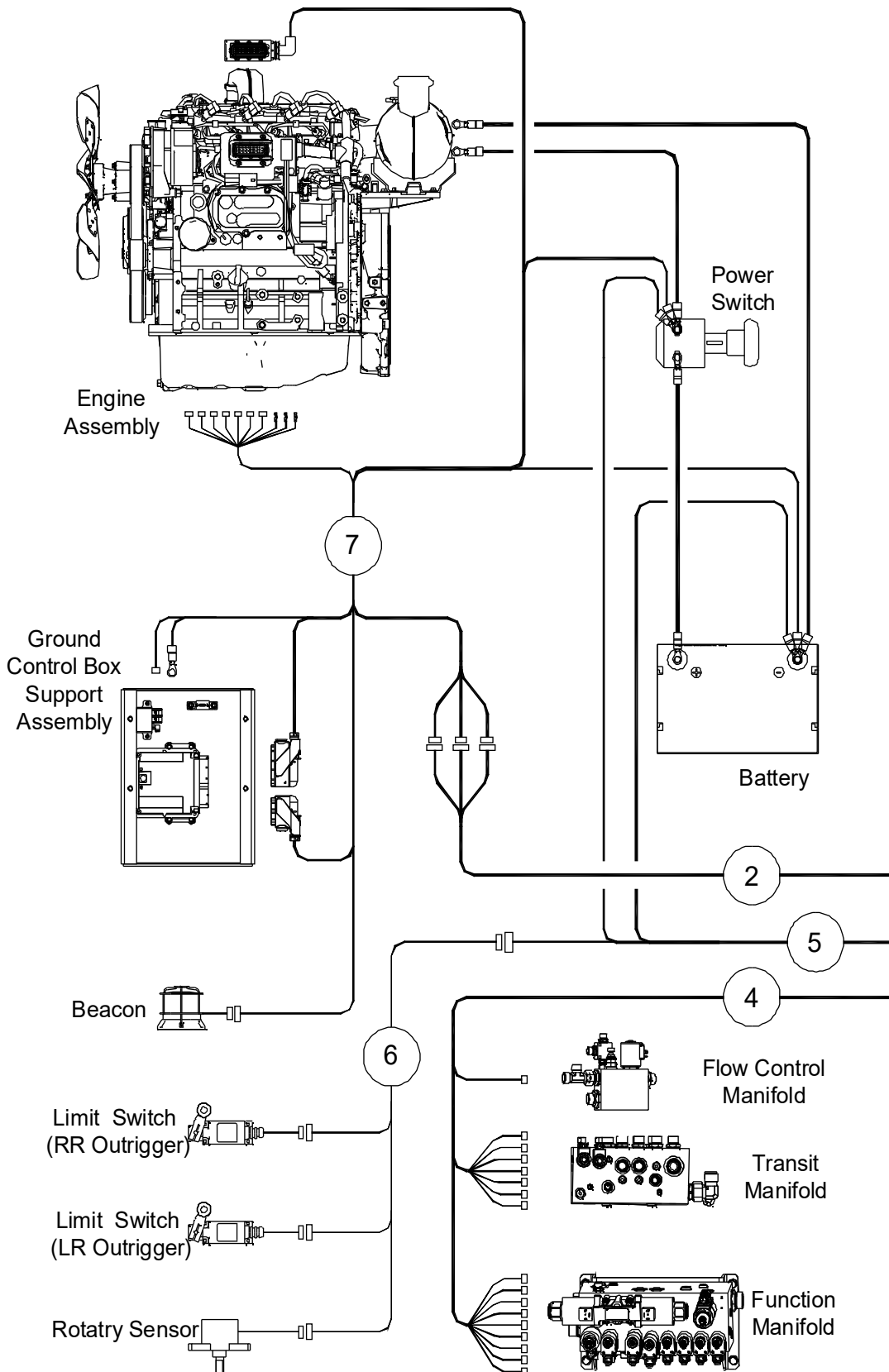
501.1 Electrical Harness (EU Stage V Engine)



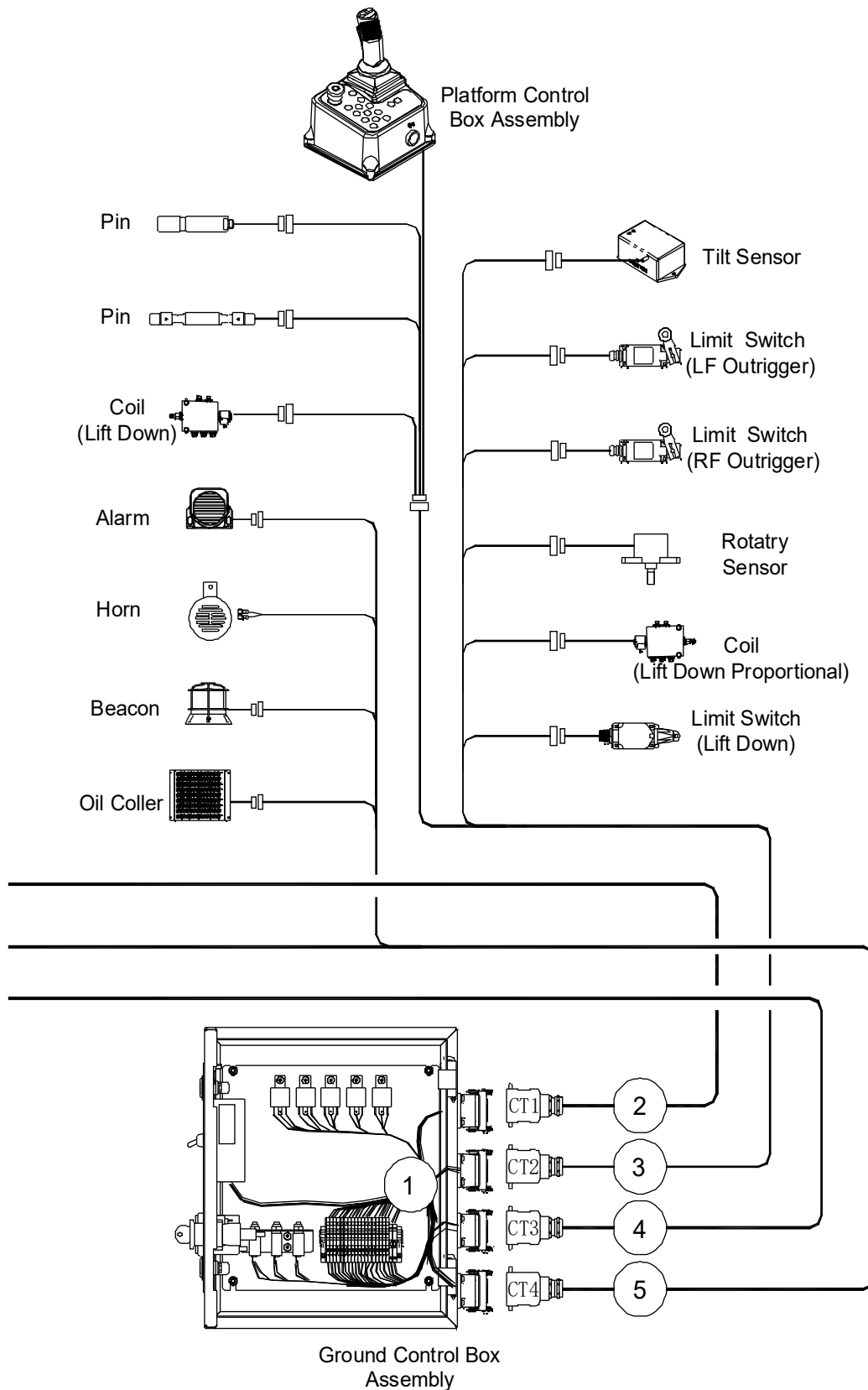
501.1 Electrical Harness (EU Stage V Engine)

Item	Part No.	Description	Qty.
1	00007038	Ground control box harness	1
2	00007027	Engine harness	1
3	00006345	CT2 harness	1
4	00011241	CT3 harness	1
5	00006347	CT4 harness	1
6	00006348	Outrigger harness	1
7	00007043	Preheat contactor harness	1
8	00007028	DPF harness	1
9	00007042	Alternator harness	1
10	00007041	Preheat fuse harness	1
11	00007039	Starter motor positive harness	1
12	00007045	Engine negative harness	1
13	00007044	Battery positive harness	1

501.2 Electrical Harness (EU Stage III B Engine)



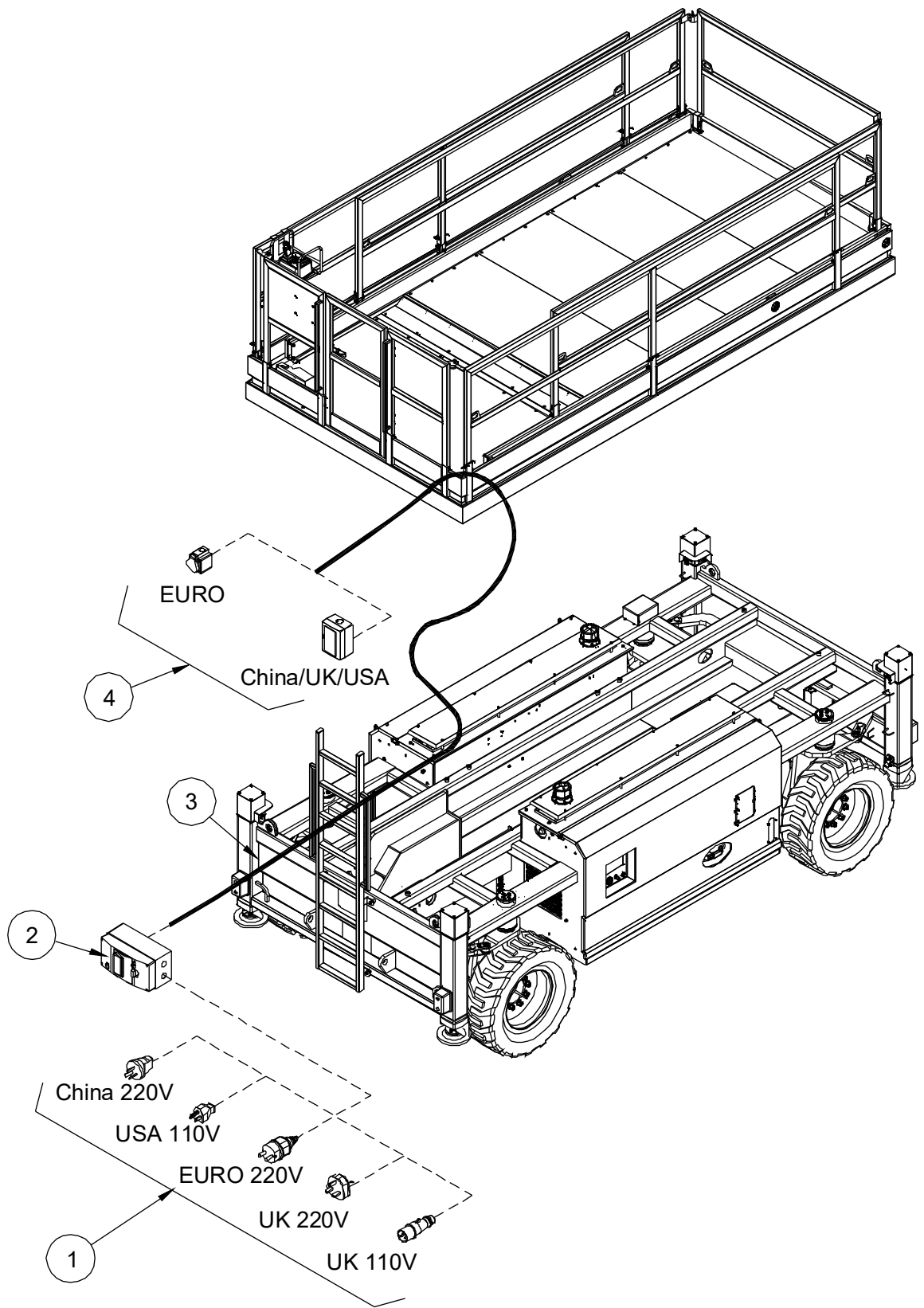
501.2 Electrical Harness (EU Stage IIIB Engine)



501.2 Electrical Harness (EU Stage III B Engine)

Item	Part No.	Description	Qty.
1	00006810	Ground control box harness	1
2	00006344	CT1 harness	1
3	00006345	CT2 harness	1
4	00011241	CT3 harness	1
5	00006347	CT4 harness	1
6	00006348	Outrigger harness	1
7	00006343	Engine harness	1

502.1 Power to Platform

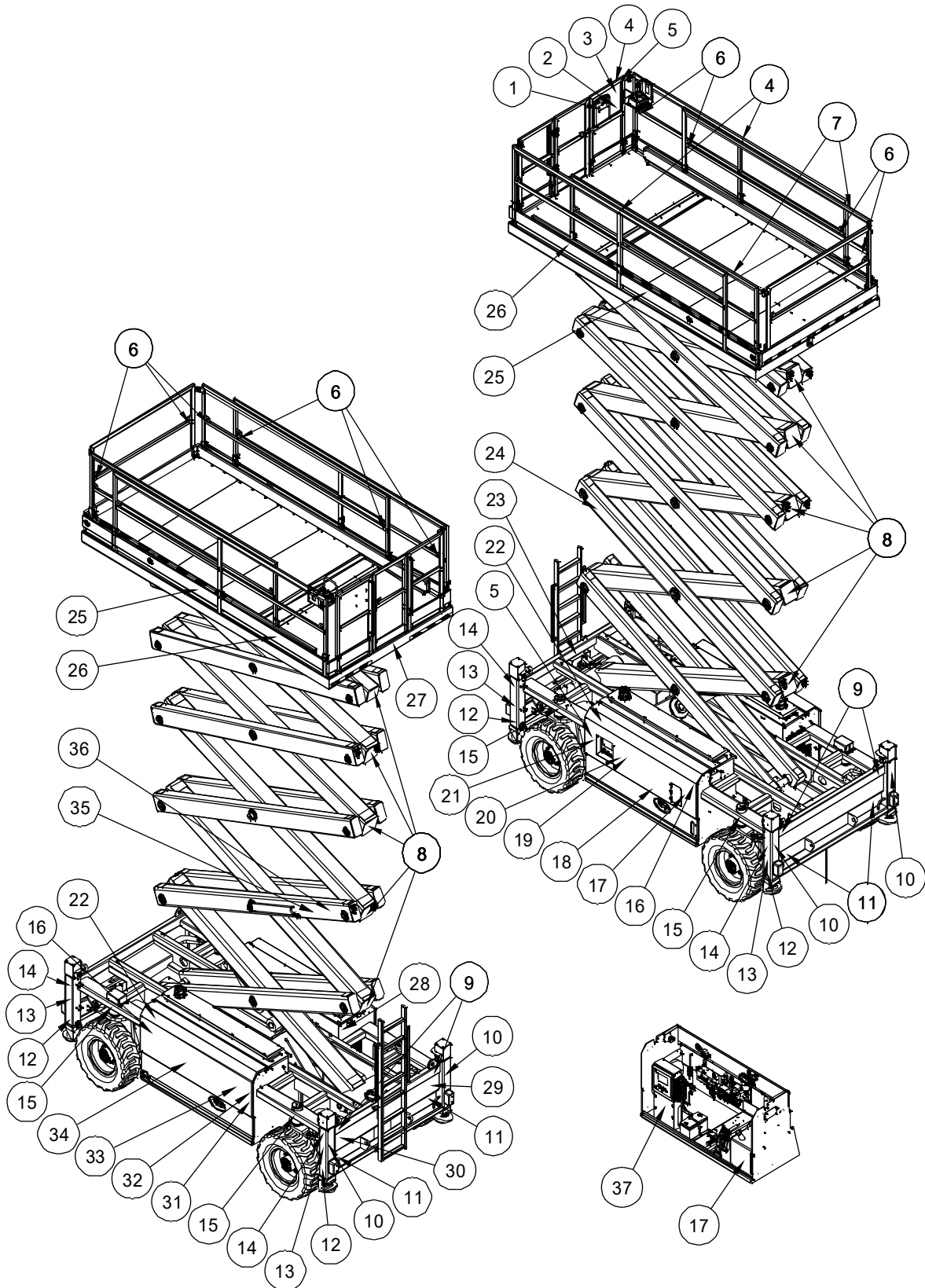


502.1 Power to Platform

Item	Part No.	Description	Qty.
1	00003148	AC plug (China 220V)	1
	00003149	AC plug (USA 110V)	1
	00003151	AC plug (European 220V)	1
	00003150	AC plug (UK 220V)	1
	00002615	AC plug (UK 110V)	1
2	00002634	Circuit breaker (Option)	1
3	00006644	Wire cable, platform AC power	1
4	00002709	AC socket (European)	1
	00000668	AC socket (China/UK/USA)	1

Section 6 Decal

601.1 Decals with Words



601.1 Decals with Words

Item	Part No.	Description	Qty.
1	09340001	Decal, Notice-Keep the manual with the machine	1
2	09440119	Decal, Danger-Tip-over hazard, tilt-alarm	1
3	09440001	Decal, Danger-General safety rules	1
4	09340070	Decal, Symbols-Non operating hand position	3
5	09340003	Decal, Instructions-Refer the operator to the instructions for use	2
6	09440011	Decal, Label-Lanyard anchorage point	8
7	09440212	Decal, Warning-Crushing hazard	2
8	09430007	Decal, Symbols-Crushing hazard	10
9	09310049	Decal, Instructions-Lift point	4
10	09420005	Decal, Warning-Collision hazard	4
11	09310050	Decal, Instructions-Tie down point	4
12	09310142	Decal, Instructions-Maximum outrigger load 4030kg	4
13	09410157	Decal, Symbols-Outrigger using warning	4
14	09410069	Decal, Warning-Crushing hazard, outrigger	4
15	09310140	Decal, Instructions-Maximum wheel load 4030kg	4
16	09540001	Decal, Label-CE	2
17	09320003	Decal, Instructions-Diesel	2
18	09310148	Decal, Instructions-Emergency	1
19	09410001	Decal, Danger-Explosion/burn hazard	1
20	09410071	Decal, Warning-Injection hazard	1
21	09410003	Decal, Warning-Inspected and operation properly	1
22	09910024	Decal, Label-JCPT2223RTB	2
23	09410005	Decal, Danger-Do not alter or disable limit switch	1
24	09330012	Decal, Instructions-Grease filling port	1
25	09440007	Decal, Caution-Max. manual force 400N	2
26	09640092	Decal, Cosmetic-JCPT2223RTB	2
27	09440071	Decal, Label-Capacity 750kg	1
28	09410136	Decal, Notice-Main power switch operation	1

601.1 Decals with Words

Item	Part No.	Description	Qty.
29	09310305	Decal, Instructions-Grease filling port	1
30	09310307	Decal, Instructions-Grease filling port	1
31	09310053	Decal, Instructions-Lowest oil level	1
32	09310052	Decal, Instructions-Highest oil level	1
33	09310054	Decal, Instructions-Hydraulic	1
34	09420011	Decal, Caution-High temperature	1
35	09430028	Decal, Danger-Safety arm	1
36	09330010	Decal, Instructions-Grease filling port	1
37	09310290	Decal, Symbols-Emergency operating instructions	1

601.1 Decals with Words

① 09340001

NOTICE

KEEP THE OPERATION AND SAFETY MANUAL WITH THE MACHINE

② 09440119

DANGER

Tip-over Hazard

The outriggers must be used when the ground angle is out of machine maximum allowed working angle.

If tilt-alarm sounds, unit is on a severe slope. Death or serious injury could occur.

1. Lower the platform
2. Move the machine to level surface.

④ 09340070

⑥ 09440011

③ 09440001

DANGER

Failure to read, understand and obey the operator's manual and the following safety rules will result in death or serious injury.

Improper Use Hazard

- Avoid hazardous situations.
- Always perform a pre-operation inspection.
- Always perform function tests prior to use.
- Inspect work site.
- Only use the machine as it was intended.

Do not operate unless you are properly trained to safely operate this machine or you read, understand and follow:

- Manufacturer's instruction and safety rules.
- Operator's manual and decals.
- Employer's safety rules.
- Applicable government regulations.

Electrocution Hazard

This machine is not electrically insulated and will not provide protection from contact with power lines or electrical current.

Voltage	Minimum Safe Approach Distance	Warning Distance
120 V to 345 V	3.05 m	3.05 m
380 V to 250 V	4.89 m	4.89 m
330 kV to 750 kV	8.53 m	8.53 m
500 kV to 750 kV	7.62 m	7.62 m
500 kV to 750 kV	10.67 m	10.67 m
750 kV to 1050 kV	13.72 m	13.72 m

Tip-over Hazard

- Do not exceed rated load capacity.
- Do not raise platform unless machine is on a firm surface.
- Avoid drop-offs, holes and unstable or slippery surfaces.
- Do not raise platform unless machine is on a level surface.
- Do not drive machine on a slope that exceeds the maximum slope or site rating for the machine.
- Do not drive the machine on or near overhead power lines, unstable surfaces or other hazardous conditions with the platform raised.
- Do not pass off or put forward any object out side of the platform.
- Do not place or attach overloading loads to any part of this machine.
- Use extreme care and slow speeds when driving the machine on sloped position.
- Always use correct tie-down, dunnage, unstable or slippery surfaces and wear belts and drop-offs.

Do not alter or disable machine components that in any way affect safety and stability.

- Do not place ladders or scaffolds on platform or against any part of this machine.
- Do not use machine as a hoisting or mobile surface or vehicle.
- The work area must be in good condition, cables, nuts and bolts are properly tightened and other items are properly secured.

Fall Protection

All PPE must comply with applicable government regulations and must be inspected and used in accordance with the manufacturer's instructions.

Fall Hazard

- Prior to operation, ensure all gates and locks are fastened and locked in their proper position.
- Do not operate machine in strong or gusty winds.
- After not increase surface area of platform or use increasing area equipped to wind will decrease machine stability.
- Do not climb down from the platform when raised.

Crushing Hazard

- Keep hands and limbs out of access. Use common sense and caution when operating machine with controller from ground.
- Repetitive use of controls between operator, machine and load objects.

Collision Hazard

- Be aware of limited sight distance and blind spots when driving or operating.
- Check areas for overhead obstructions or other possible hazards.
- Be aware of crushing hazard when primary platform guard is out.

Damaged Machine Hazard

- Do not use a damaged or malfunctioning machine.
- No part of maintenance has been performed as specified in the appropriate operator's manual.
- Use only oil decals as practice and repair.
- Be sure safety, operator's manual is complete, legible and in the storage container located on the platform.

⑦ 09440212

⑧ 09430007

⑨ 09310049

⑩ 09420005

WARNING

⑪ 09310050

⑫ 09310142

4030 kg
8866 lbs

⑬ 09410157

⑭ 09410069

WARNING

Crushing Hazard

Lowering the outriggers or tires onto a person's foot can result in serious injury.

Keep clear of outriggers and tires before lowering.

⑮ 09310140

4030 kg
8866 lbs

⑯ 09540001

⑰ 09320003

DIESEL

⑱ 09310148

Emergency!

⑲ 09410001

DANGER

Explosion/Burn Hazard

Do not operate the machine or charge the batteries in hazardous locations where potentially flammable or explosive gases or particles may be present.

Ignition of explosive gases or contact corrosive acid will cause death, burns or blindness.

Keep all open flames and sparks away. Wear personal protective equipment, including face shield, gloves and long sleeve shirt.

Read Manuals

Read all manuals prior to operation.

DO NOT OPERATE equipment if you do not understand the information in the manuals. Consult your supervisor, the owner or the manufacturer.

⑳ 09410071

WARNING

Injection Hazard

Escaping fluid under pressure can penetrate skin, causing serious injury.

Relieve pressure before disconnecting hydraulic lines. Keep away from leaks and pin holes. Use a piece of cardboard or paper to search for leaks. Do not use hand. Fluid injected into skin must be surgically removed within a few hours by a doctor familiar with this type of injury or gangrene will result.

㉑ 09410003

WARNING

THIS MACHINE MUST NOT BE USED UNTIL IT IS INSPECTED AND OPERATING PROPERLY.

1. Do not operate this machine unless you have been properly trained by a qualified person and authorized to operate this machine. Your training includes reading and understanding the safety, operating and maintenance instructions in manufacturer's manuals, knowing your employer work rules and applicable governmental regulations.
2. Follow the instructions in the Operating Manual and applicable standards for daily, frequent, and annual inspections.
3. Do not replace items (i.e. batteries, wheels, counterweight, etc.) with items of different weight or specification because this will affect stability of machine.
4. Do not modify or change machine without written approval from manufacturer.
5. Operate this machine with extreme caution. STOP at operation if malfunction occurs.
6. Improper use of this machine could cause death or serious injury.

㉒ 09910024

CAUTION

Max. Manual Force

400N

㉓ 09410005

DANGER

Tip-over Hazard

Altering or disabling limit switches can result in machine tip-over. Machine tip-over will result in death or serious injury.

Do not alter or disable limit switch(es).

JCPT2223RTB : 4x4 SELF-PROPELLED FIGHTER TERRAIN SIZING LIFT

601.1 Decals with Words

②6 09640092

JCPT2223RTB

②7 09440071

②8 09410136

②4 09330012

②9 09310305

③0 09310307

③6 09330010

③1 09310053

③3 09310054

HYDRAULIC

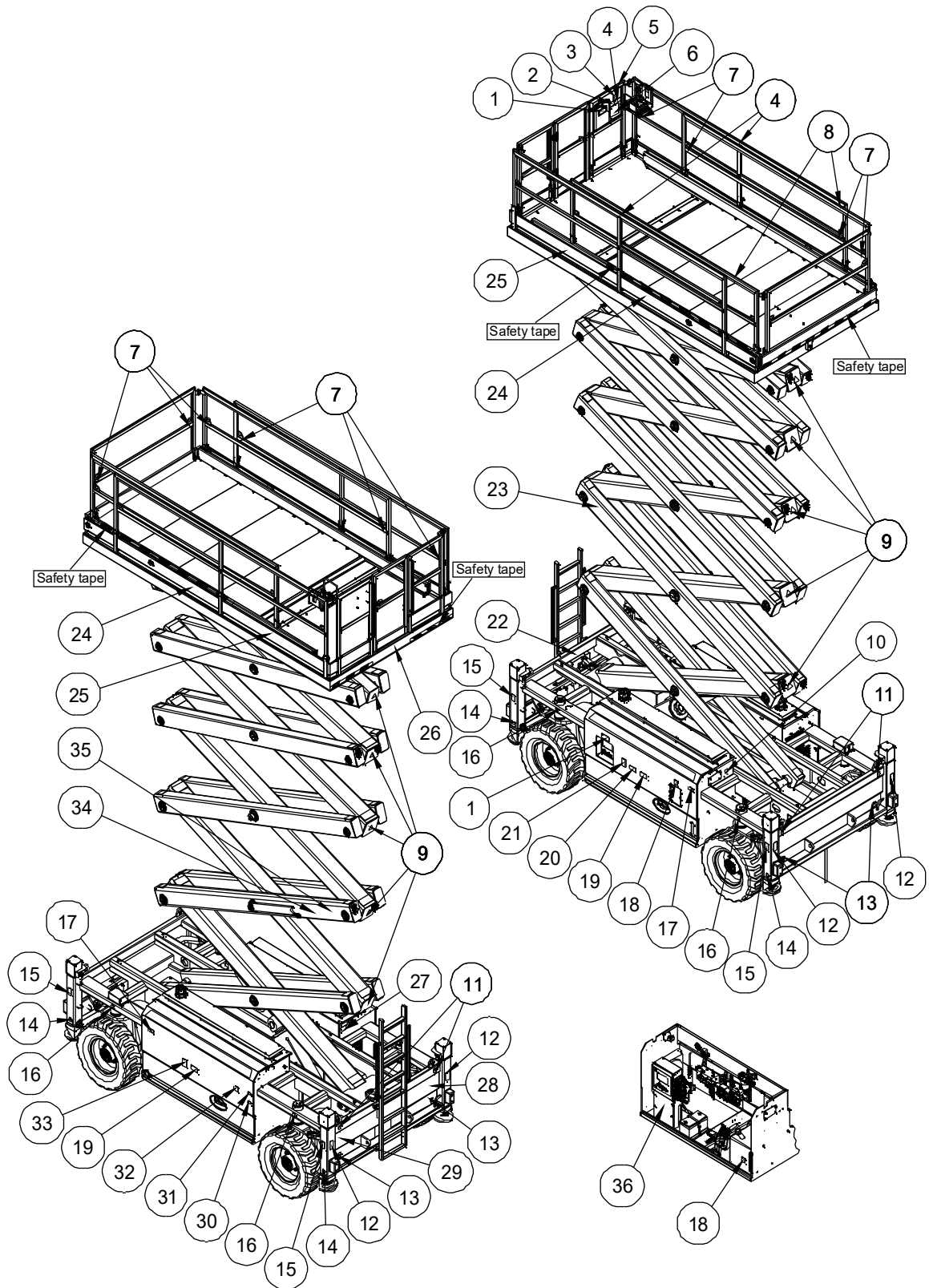
③2 09310052

③5 09430028

③7 09310290

③4 09420011

602.1 Decals with Symbols



602.1 Decals with Symbols

Item	Part No.	Description	Qty.
1	09340026	Decal, Symbols-Refer the operator to the instructions for use	2
2	09440094	Decal, Symbols-Tip-over hazard, outrigger	1
3	09340028	Decal, Instructions-Directional arrows	1
4	09440090	Decal, Symbols-Tip-over hazard, tilt-alarm	1
5	09340070	Decal, Symbols-Non operating hand position	3
6	09440091	Decal, Symbols-General safety rules	1
7	09440089	Decal, Label-Lanyard anchorage point	8
8	09440212	Decal, Warning-Crushing hazard	2
9	09430007	Decal, Symbols-Crushing hazard	10
10	09310098	Decal, Symbols-Platform power instructions	1
11	09310049	Decal, Instructions-Lift point	4
12	09410043	Decal, Symbols-Collision hazard	4
13	09310050	Decal, Instructions-Tie down point	4
14	09310142	Decal, Instructions-Maximum outrigger load: 4030kg	4
15	09410042	Decal, Symbols-Crushing hazard	4
16	09310140	Decal, Instructions-Maximum wheel load: 4030kg	4
17	09540001	Decal, Label-CE	2
18	09310072	Decal, Instructions-Diesel	2
19	09410049	Decal, Symbols-Electrocution hazard	2
20	09410048	Decal, Symbols-Explosion/burn hazard	1
21	09410050	Decal, Symbols-Injection hazard	1
22	09410051	Decal, Symbols-Do not alter or disable limit switch	1
23	09330015	Decal, Symbols-Grease filling port	1
24	09440072	Decal, Symbols-Max. manual force 400N	2
25	09640092	Decal, Cosmetic-JCPT2223RTB	2
26	09440071	Decal, Label-Capacity 750kg	1
27	09310078	Decal, Symbols-Main power switch operation	1
28	09310336	Decal, Symbols-Grease filling port	1

602.1 Decals with Symbols

Item	Part No.	Description	Qty.
29	09310337	Decal, Symbols-Grease filling port	1
30	09310053	Decal, Instructions-Lowest Hydraulic Oil Level	1
31	09310052	Decal, Instructions-Highest Hydraulic Oil Level	1
32	09310073	Decal, Instructions-Hydraulic Oil	1
33	09410044	Decal, Symbols-Burn hazard	1
34	09430008	Decal, Symbols-Safety arm	1
35	09330014	Decal, Symbols-Grease filling port	1
36	09310289	Decal, Symbols-Emergency lower instructions	1

602.1 Decals with Symbols

<p>① 09340026</p>	<p>② 09440094</p>	<p>③ 09340028</p>	<p>④ 09440090</p>
<p>⑥ 09440091</p>	<p>⑤ 09340070</p>	<p>⑦ 09440089</p>	<p>⑧ 09440212</p>
<p>⑨ 09430007</p>	<p>⑩ 09310098</p>	<p>⑪ 09310049</p>	
<p>⑬ 09310050</p>	<p>⑭ 09310142</p>	<p>⑮ 09410042</p>	<p>⑰ 09540001</p>
<p>⑫ 09410043</p>	<p>⑱ 09310140</p>	<p>⑲ 09410049</p>	<p>⑳ 09410048</p>
<p>⑳ 09410051</p>	<p>㉑ 09410072</p>	<p>㉒ 09410050</p>	<p>㉓ 09330015</p>
<p>㉔ 09440072</p>			

602.1 Decals with Symbols

(25) 09640092

JCPT2223RTB

(27) 09310078

(26) 09440071

(30) 09310053

(28) 09310336

(31) 09310052

(33) 09410044

(32) 09310073

(29) 09310337

(35) 09330014

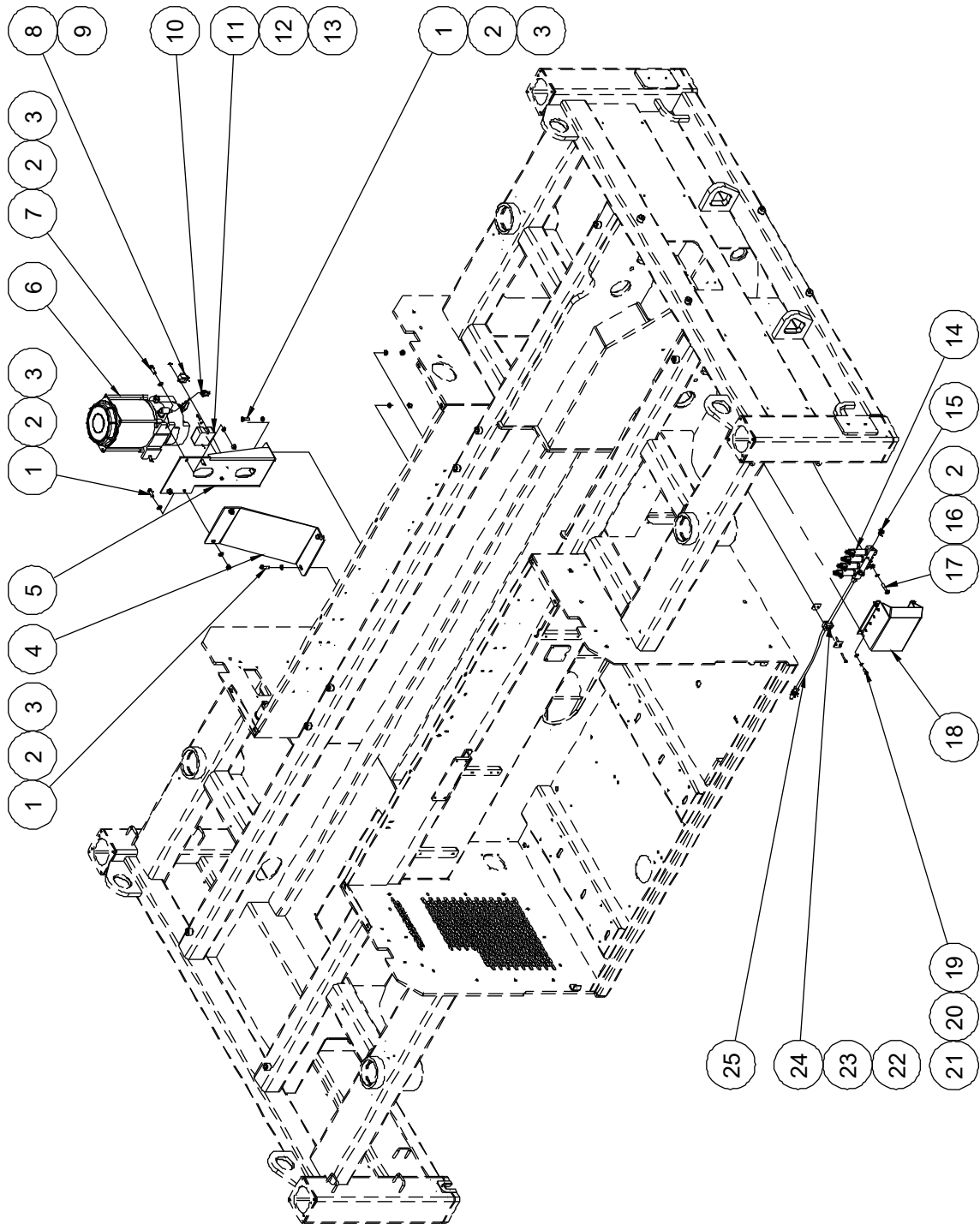
(34) 09430008

(36) 09310289

Section 7

Automatic Lubrication Systems

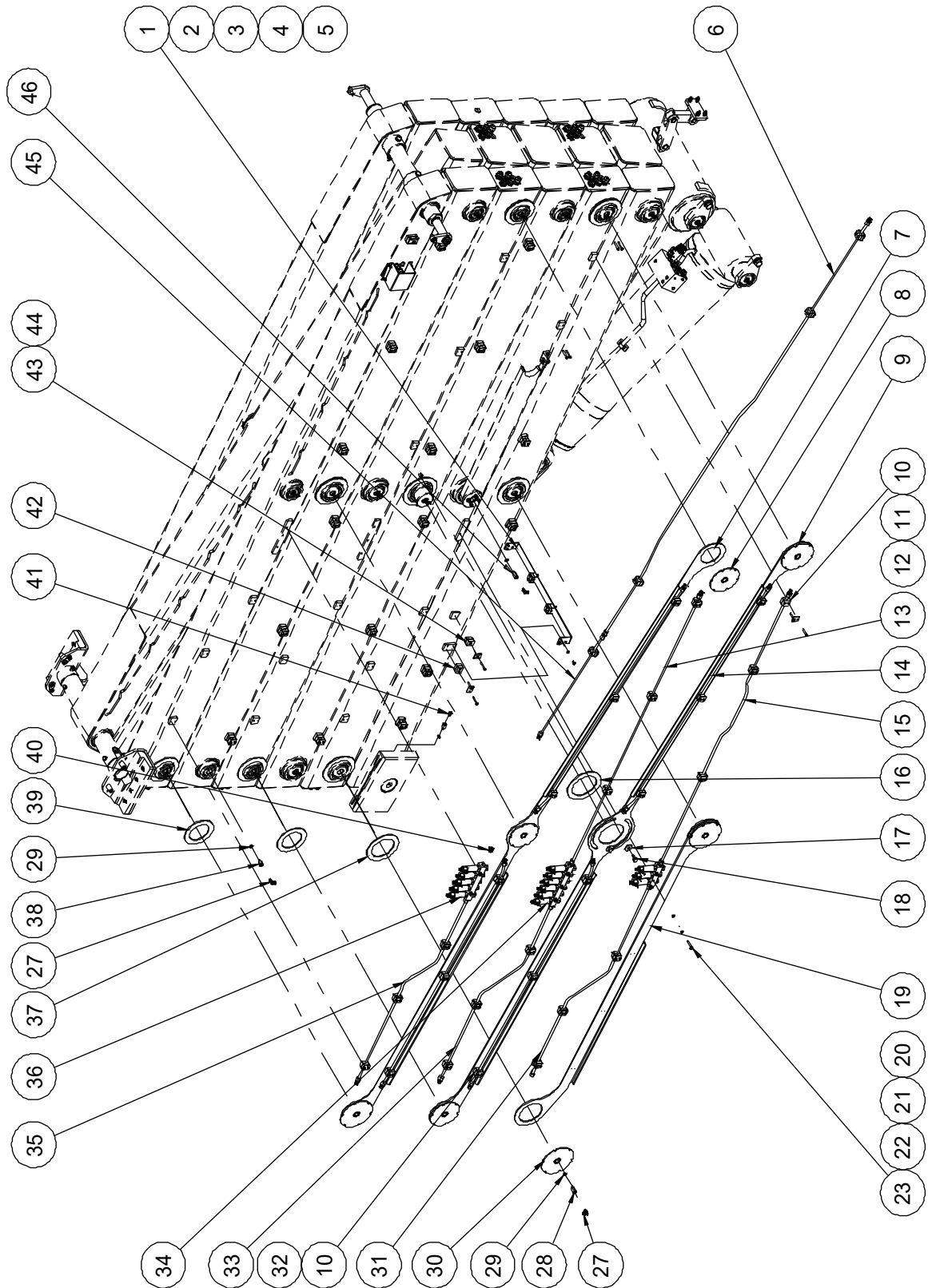
701.1 Automatic Lubrication Systems - Chassis Components



701.1 Automatic Lubrication Systems - Chassis Components

Item	Part No.	Description	Qty.
1	00000683	Bolt GB/T 5783 M10×30	8
2	00000615	Washer GB/T 97.1 10	22
3	00000623	Nut GB/T 6182 M10	10
4	10018530	Support plate	1
5	10018299	Pump bracket	1
6	00008660	Pump	1
7	00000684	Bolt GB/T 5783 M10×35	2
8	00002206	Relay	1
9	00001010	Screw GB/T 976 M5×8	1
10	00008939	Straight fitting	1
11	00008922	Power (12V to 24V)	1
12	00001252	Screw GB/T 70.1 M5×12	2
13	00000605	Washer GB/T 97.1 5	2
14	10019770	QSL metering device assembly 2	1
--	00008662	QSL metering device	1
--	00008958	Straight fitting	4
15	00001113	Plug VST13/8ED	1
16	00000679	Washer GB/T 93 10	2
17	00002411	Bolt GB/T 5783 M10×45	2
18	10018529	Cover	1
19	00000875	Bolt GB/T 5783 M8×20	4
20	00000609	Washer GB/T 93 8	4
21	00000608	Washer GB/T 97.1 8	4
22	00002312	Bolt GB/T 5782 M6×45	2
23	00008840	Base plate	2
24	00008826	Hose clamp	1
25	10019240	Pipe assembly 10	1

702.1 Automatic Lubrication Systems - Scissor Components



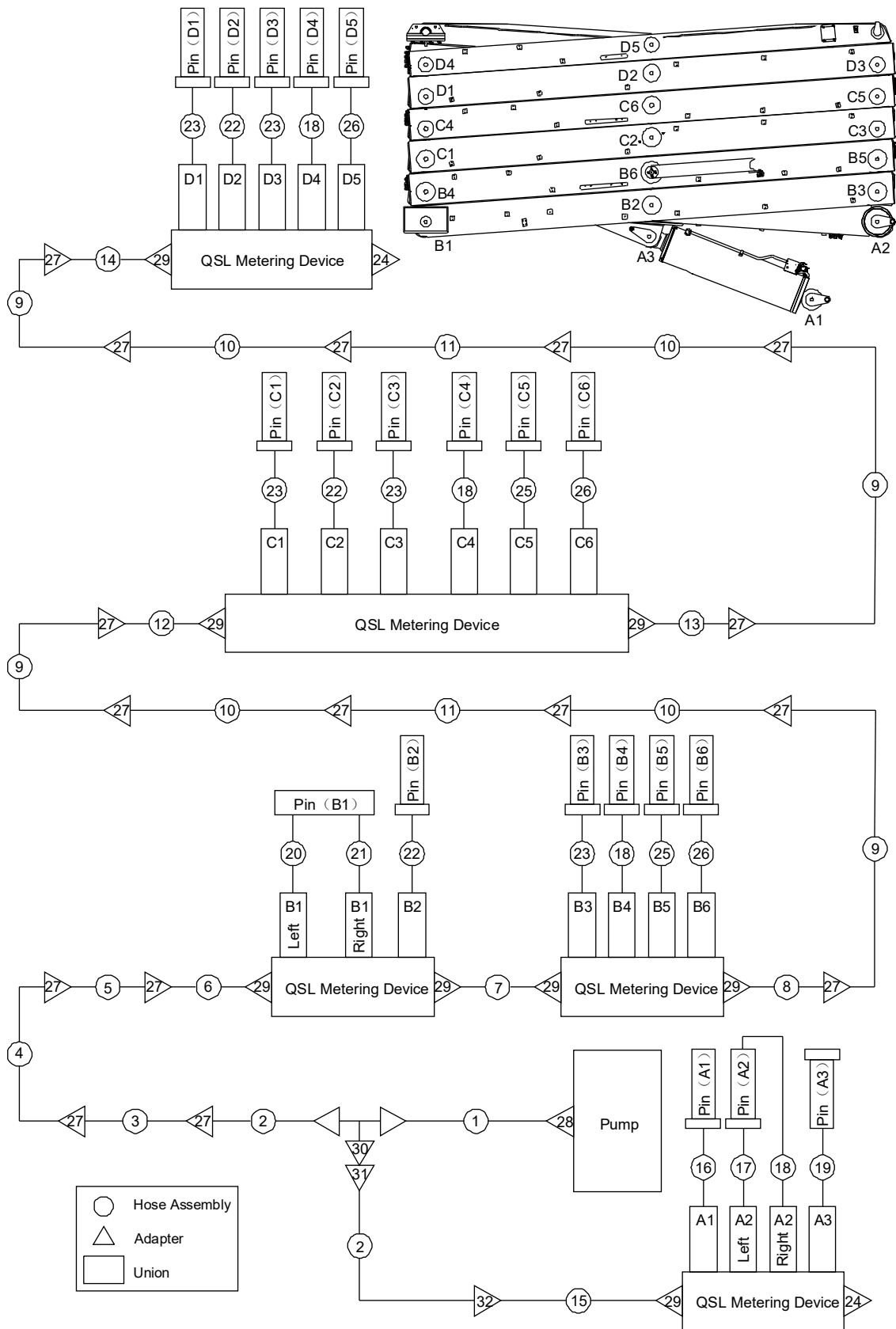
702.1 Automatic Lubrication Systems - Scissor Components

Item	Part No.	Description	Qty.
1	10018297	Hose bridge 4	1
2	00001033	Nut GB/T 6182 M6	4
3	00000620	Washer GB/T 97.1 6	10
4	00000745	Bolt GB/T 5783 M6×12	4
5	00002312	Bolt GB/T 5782 M6×45	4
6	10019222	Pipe assembly 1	1
7	10018293	Hose bridge 3	1
8	10019177	Protection plate 1	3
9	10018286	Hose bridge 2	1
10	00008826	Hose clamp	33
11	00008840	Base plate	56
12	00003176	Bolt GB/T 5782 M6×40	86
13	10019232	Pipe assembly 8	1
14	10019229	Pipe assembly 6	4
15	10019228	Pipe assembly 5	1
16	10019174	Washer 3	2
17	00002601	Washer	2
18	10024574	Screw	2
19	10018285	Hose bridge 1	1
20	10019394	QSL metering device assembly 1	1
--	00008662	QSL metering device	1
--	00008825	QSL metering device	1
--	10019227	Pipe 4	1
--	00008836	Retaining nut M16×1.5	2
--	00008837	Cutting ring 10	2
--	00001499	Straight fitting	2
--	00008958	Straight fitting	7
21	00000608	Washer GB/T 97.1 8	9
22	00000609	Washer GB/T 93 8	9

702.1 Automatic Lubrication Systems - Scissor Components

Item	Part No.	Description	Qty.
23	00002604	Bolt GB/T 5783 M8×40	9
24	10014141	Clamp	3
25	00000621	Washer GB/T 93 6	6
26	00008512	Screw GB/T 70.1 M6×10	6
27	00008665	Elbow	20
28	10019190	Fitting 3	7
29	00001332	Washer JB/T 982 10	22
30	10019178	Protection plate 2	4
31	10019225	Pipe assembly 3	1
32	00005158	Bolt GB/T 5782 M6×35	24
33	10019230	Pipe assembly 7	1
34	10019771	QSL metering device assembly 3	1
--	00008664	QSL metering device	1
--	00008958	Straight fitting	6
35	10019234	Pipe assembly 9	1
36	10019769	QSL metering device assembly 4	1
--	00008663	QSL metering device	1
--	00008958	Straight fitting	5
37	10019173	Washer 2	8
38	10018295	Fitting 1	14
39	10019172	Washer 1	6
40	00001113	Plug VSTI3/8ED	1
41	00008846	Straight fitting	2
42	00008827	Hose clamp	23
43	00008839	Hose clamp	2
44	00008844	Base plate	2
45	10019223	Pipe assembly 2	1
46	10018296	Fitting 2	1

703.1 Automatic Lubrication Systems - Hoses and Fittings



703.1 Automatic Lubrication Systems - Hoses and Fittings

Item	Part No.	Description	Qty.
1	00008865	Hose assembly	1
2	00008864	Hose assembly	2
3	10019222	Pipe assembly 1	1
--	10018281	Pipe 1	1
--	00008836	Retaining nut M16×1.5	2
--	00008837	Cutting ring 10	2
4	10019223	Pipe assembly 2	1
--	10019224	Pipe 2	1
--	00008836	Retaining nut M16×1.5	2
--	00008837	Cutting ring 10	2
5	00008863	Hose assembly	1
6	10019225	Pipe assembly 3	1
--	10018290	Pipe 3	1
--	00008836	Retaining nut M16×1.5	2
--	00008837	Cutting ring 10	2
7	10019226	Pipe assembly 4	1
--	10019227	Pipe 4	1
--	00008836	Retaining nut M16×1.5	2
--	00008837	Cutting ring 10	2
8	10019228	Pipe assembly 5	1
--	10018282	Pipe 5	1
--	00008836	Retaining nut M16×1.5	2
--	00008837	Cutting ring 10	2
9	00008862	Hose assembly	4
10	10019229	Pipe assembly 6	4
--	10018292	Pipe 6	1
--	00008836	Retaining nut M16×1.5	2
--	00008837	Cutting ring 10	2
11	00008861	Hose assembly	2

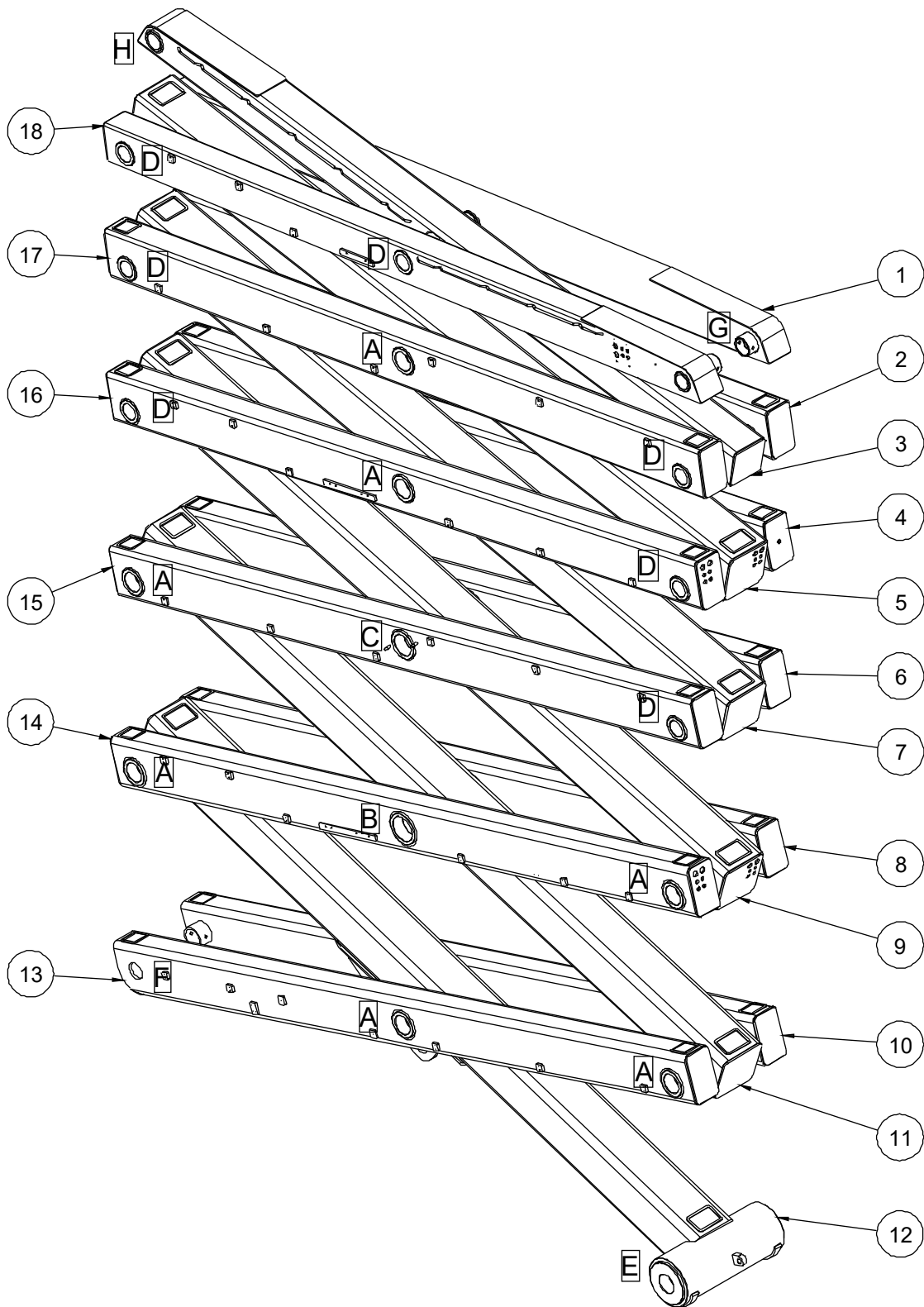
703.1 Automatic Lubrication Systems - Hoses and Fittings

Item	Part No.	Description	Qty.
12	10019230	Pipe assembly 7	1
--	10019231	Pipe 7	1
--	00008836	Retaining nut M16×1.5	2
--	00008837	Cutting ring 10	2
13	10019232	Pipe assembly 8	1
--	10019233	Pipe 8	1
--	00008836	Retaining nut M16×1.5	2
--	00008837	Cutting ring 10	2
14	10019234	Pipe assembly 9	1
--	10019235	Pipe 8	1
--	00008836	Retaining nut M16×1.5	2
--	00008837	Cutting ring 10	2
15	10019240	Pipe assembly 10	1
--	10019239	Pipe 10	1
--	00008836	Retaining nut M16×1.5	2
--	00008837	Cutting ring 10	2
16	10021236	Hose assembly L500	1
17	10021237	Hose assembly L1000	1
18	10021238	Hose assembly L1700	4
19	10021239	Hose assembly L3300	1
20	10021240	Hose assembly L5200	1
21	10021241	Hose assembly L6200	1
22	10021242	Hose assembly L3700	3
23	10021243	Hose assembly L5500	5
24	00001113	Plug VSTI3/8ED	2
25	10021244	Hose assembly L2200	2
26	10021235	Hose assembly L300	3
27	00004468	Straight fitting	16
28	00008939	Straight fitting	1

703.1 Automatic Lubrication Systems - Hoses and Fittings

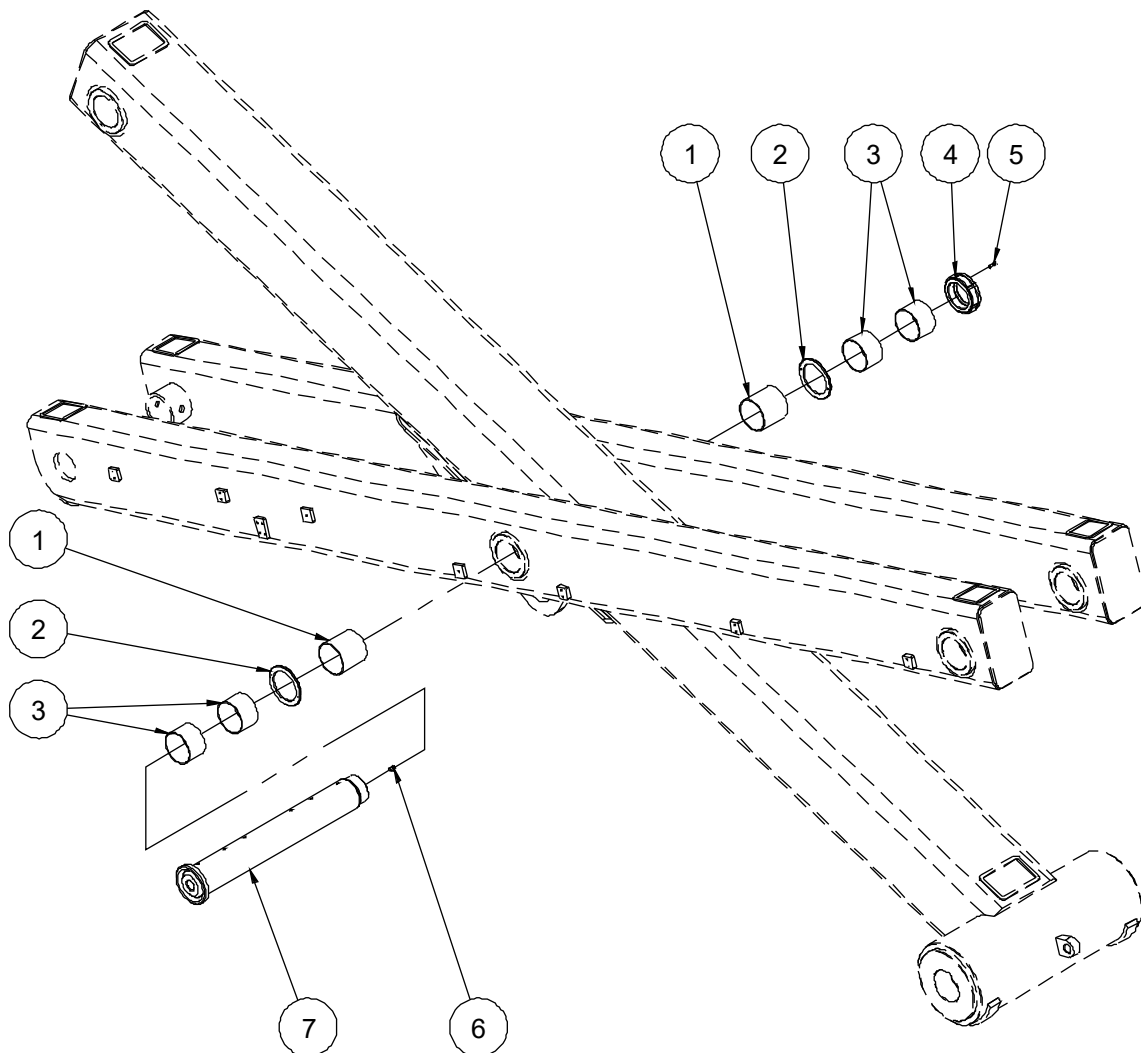
Item	Part No.	Description	Qty.
29	00001499	Straight fitting	8
30	00002102	Tee fitting	1
31	00001833	Elbow	1
32	00002136	Straight fitting	1

704.1 Automatic Lubrication Systems - Scissor Arms Installation



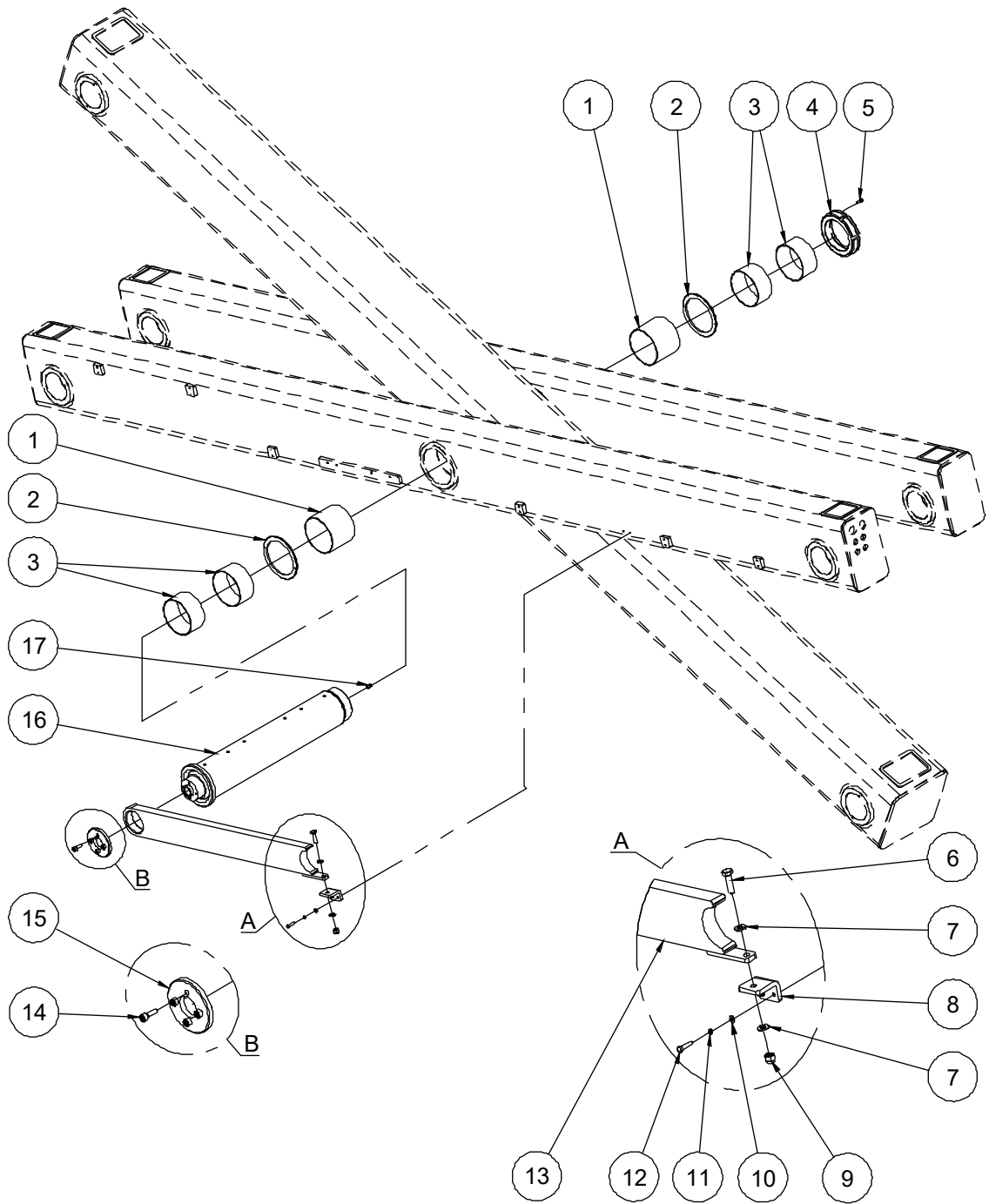
704.1 Automatic Lubrication Systems - Scissor Arms Installation

Item	Part No.	Description	Qty.
1	10009256	Outer arm 6, right	1
2	10017467	Outer arm 5	1
3	10009223	Inner arm 6	1
4	10017462	Outer arm 4, right	1
5	10017469	Inner arm 5	1
6	10017458	Outer arm 3	1
7	10017465	Inner arm 4	1
8	10009283	Outer arm 2, right	1
9	10017460	Inner arm 3	1
10	10019162	Outer arm 1, right	1
11	10009212	Inner arm 2	1
12	10019160	Inner arm 1	1
13	10019161	Outer arm 1, left	1
14	10019163	Outer arm 2, left	1
15	10019164	Outer arm 3, left	1
16	10019167	Outer arm 4, left	1
17	10019165	Outer arm 5, left	1
18	10019166	Outer arm 6, left	1

705.1 Automatic Lubrication Systems - Scissor Arm pin joint A**705.1 Automatic Lubrication Systems - Scissor Arm pin joint A**

Item	Part No.	Description	Qty.
1	00006140	8812-909590A Bearing	2
2	10009382	Washer 90	2
3	00006149	8812-909560A Bearing	4
4	10017506	Nu M80	1
5	00000876	Screw GB/T 70.1 M6×16	4
6	00004483	Grease nipple GB/T 1152 M10×1	1
7	10009358	Pin 90	1

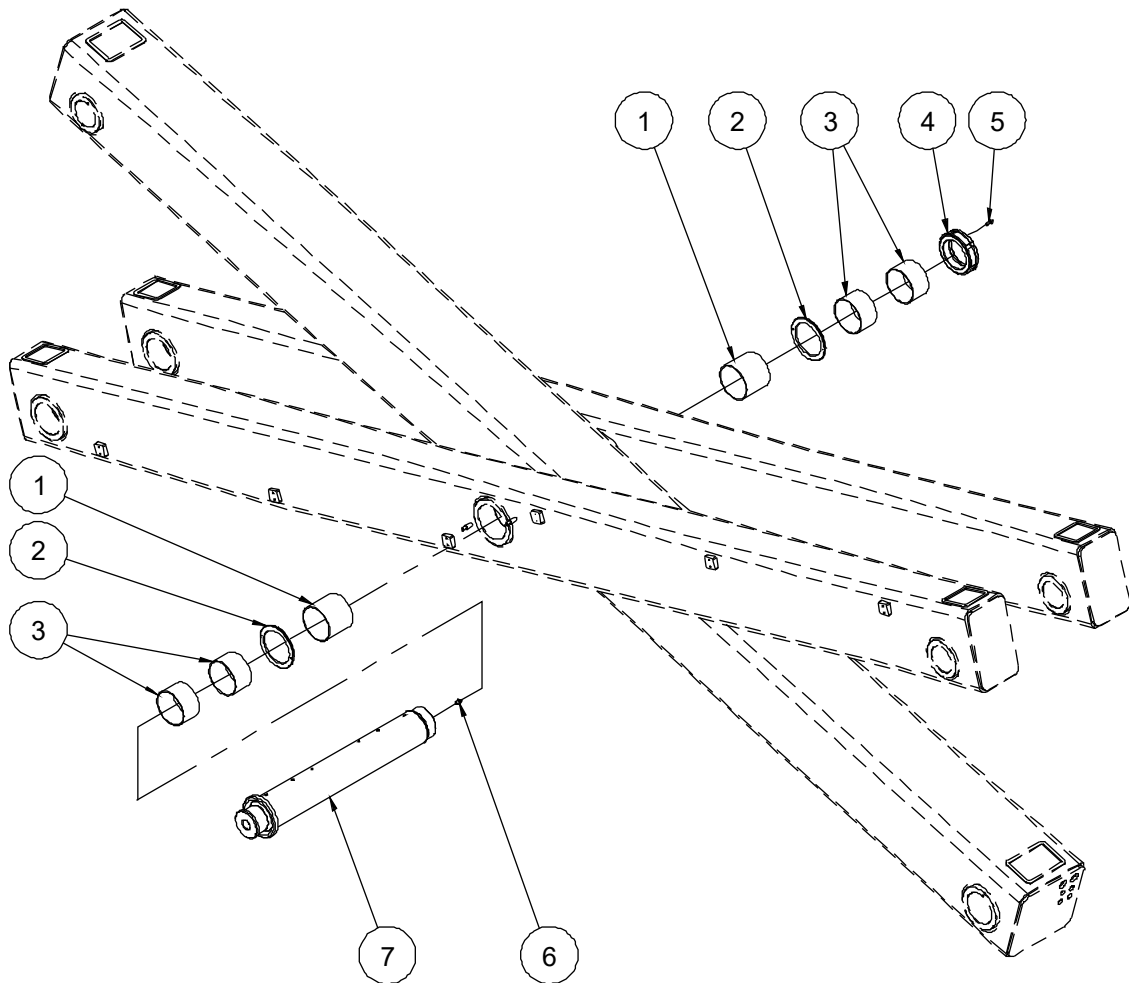
706.1 Automatic Lubrication Systems - Scissor Arm pin joint B



706.1 Automatic Lubrication Systems - Scissor Arm pin joint B

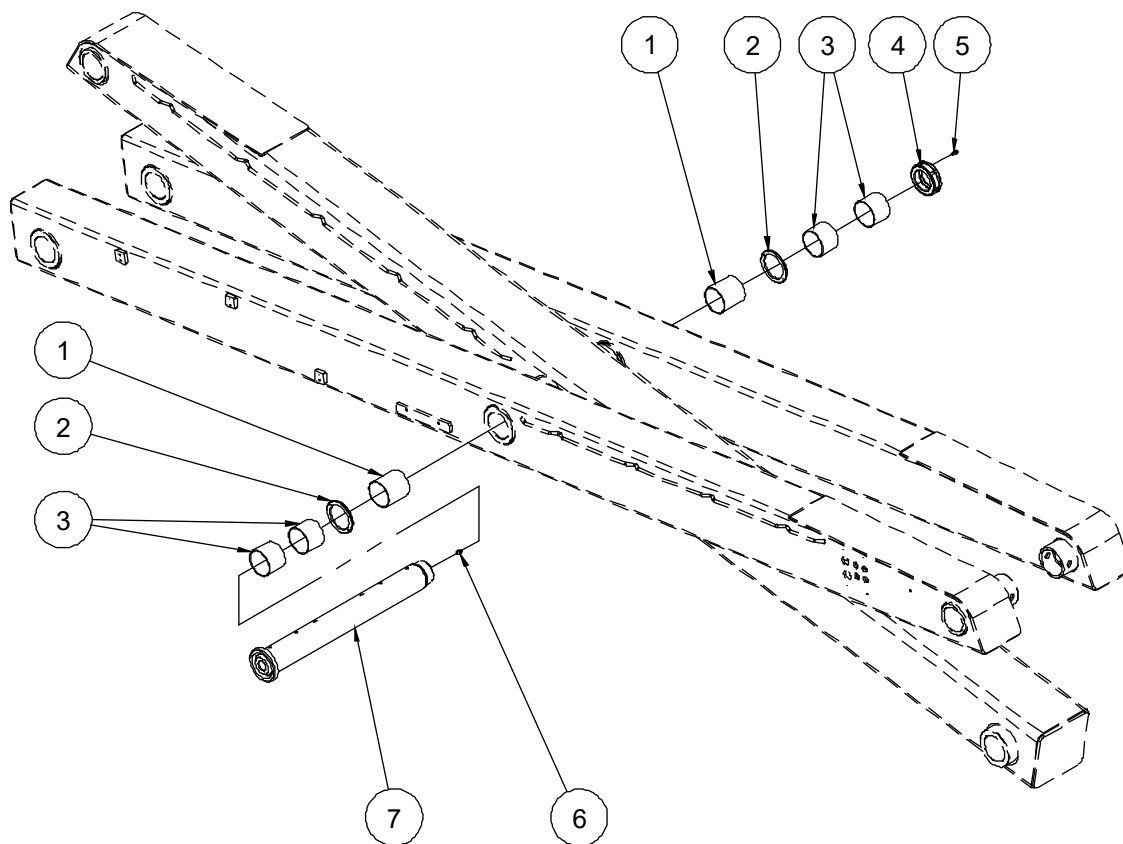
Item	Part No.	Description	Qty.
1	00006146	8812-120125100A Bearing	2
2	10009384	Washer 120	2
3	00006151	8812-12012560A Bearing	4
4	10017504	Nut M110	1
5	00000876	Screw GB/T 70.1 M6×16	6
6	00000684	Bolt GB/T 5783 M10×35	1
7	00000615	Washer GB/T 97.1 10	2
8	10009578	Bracket	1
9	00000623	Nut GB/T 6182 M10	1
10	00000620	Washer GB/T 97.1 6	2
11	00000621	Washer GB/T 93 6	2
12	00000619	Bolt GB/T 5783 M6×25	2
13	10009274	Safety arm	1
14	00002555	Screw GB/T 70.1 M8×25	4
15	10009264	Safety arm retainer	1
16	10009381	Pin 120	1
17	00004483	Grease nipple GB/T 1152 M10×1	1

707.1 Automatic Lubrication Systems - Scissor Arm pin joint C



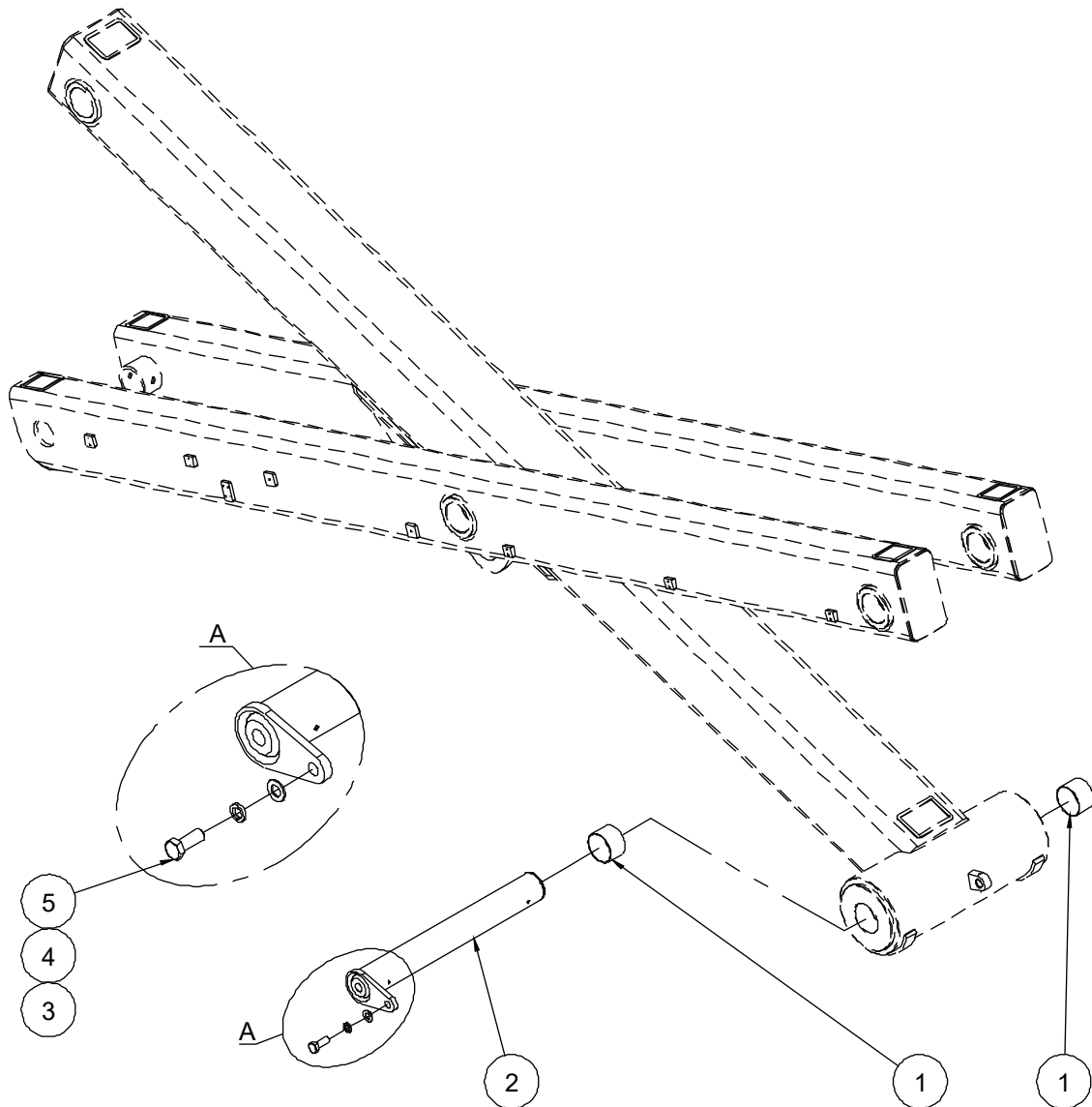
707.1 Automatic Lubrication Systems - Scissor Arm pin joint C

Item	Part No.	Description	Qty.
1	00006145	8812-10010590A Bearing	2
2	10009383	Washer 100	2
3	00006150	8812-10010560A Bearing	4
4	10017505	Nu M90	1
5	00000876	Screw GB/T 70.1 M6×16	4
6	00004483	Grease nipple GB/T 1152 M10×1	1
7	10009380	Pin 100	1

708.1 Automatic Lubrication Systems - Scissor Arm pin joint D**708.1 Automatic Lubrication Systems - Scissor Arm pin joint D**

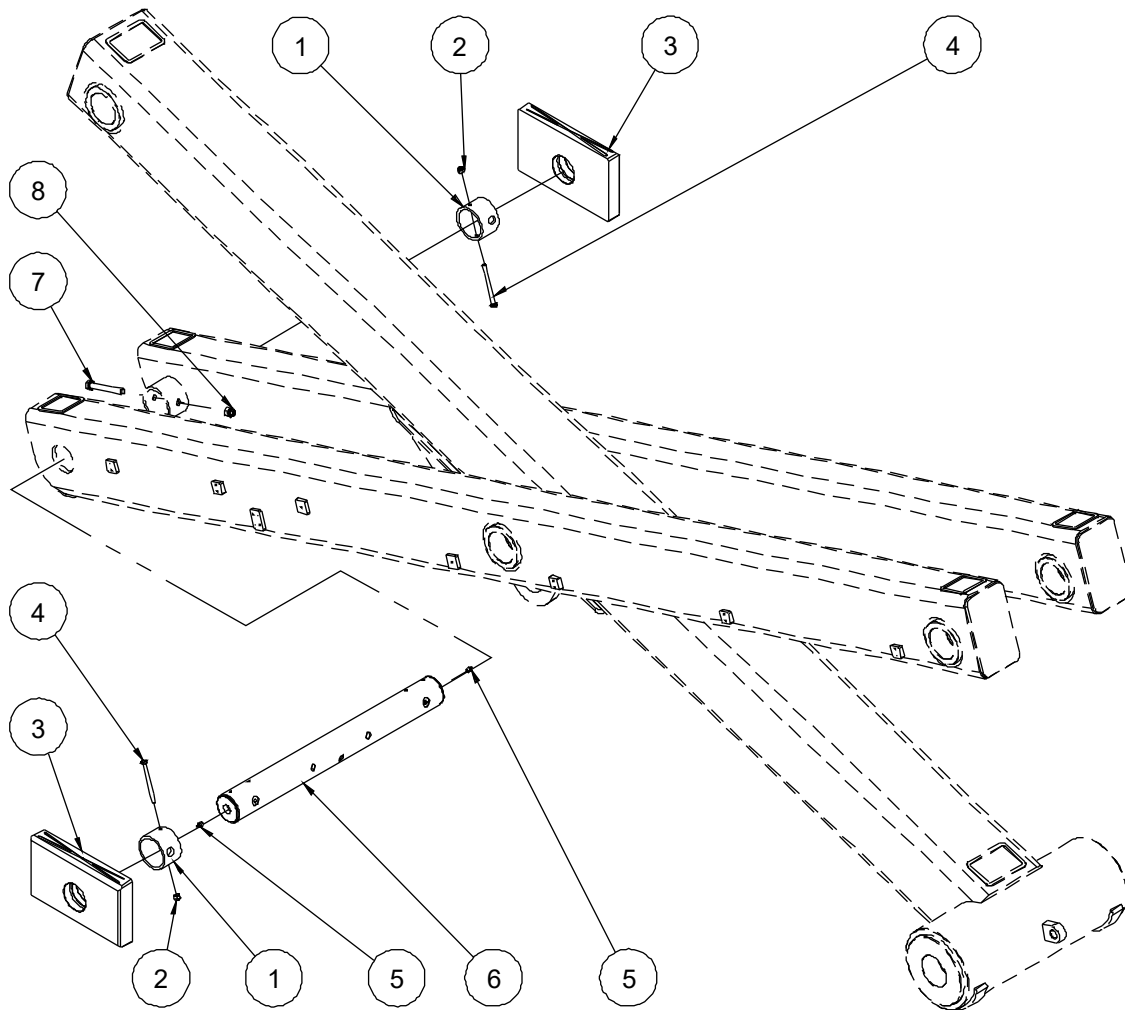
Item	Part No.	Description	Qty.
1	00006144	8812-758080A Bearing	2
2	10009374	Washer 75	2
3	00006143	8812-758060A Bearing	4
4	10017507	Nut M64	1
5	00002029	Screw GB/T 70.1 M6×12	4
6	00004483	Grease nipple GB/T 1152 M10×1	1
7	10009379	Pin 75	1

709.1 Automatic Lubrication Systems - Scissor Arm pin joint E



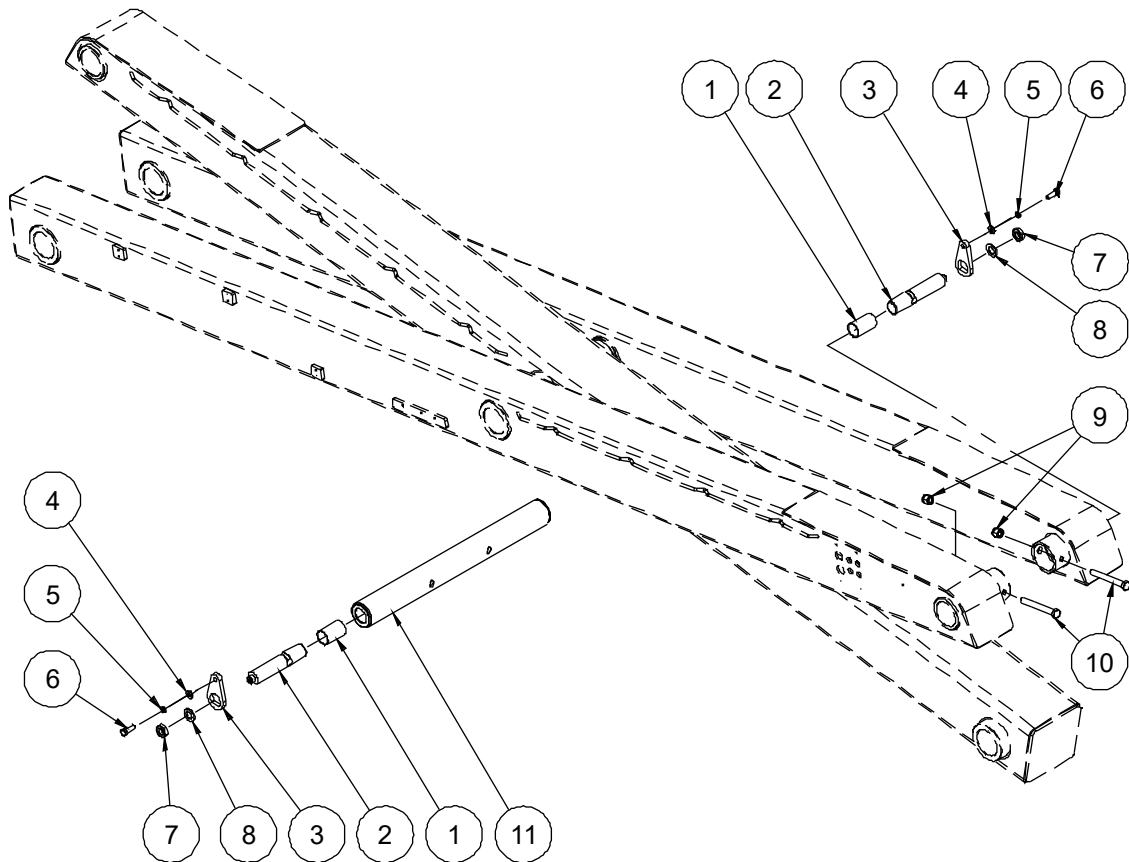
709.1 Automatic Lubrication Systems - Scissor Arm pin joint E

Item	Part No.	Description	Qty.
1	00006149	8812-909560A Bearing	2
2	10009378	Pin	1
3	00001050	Washer GB/T 97.1 20	1
4	00002219	Washer GB/T 93 20	1
5	00002224	Bolt GB/T 5783 M20×50	1

710.1 Automatic Lubrication Systems - Scissor Arm pin joint F**710.1 Automatic Lubrication Systems - Scissor Arm pin joint F**

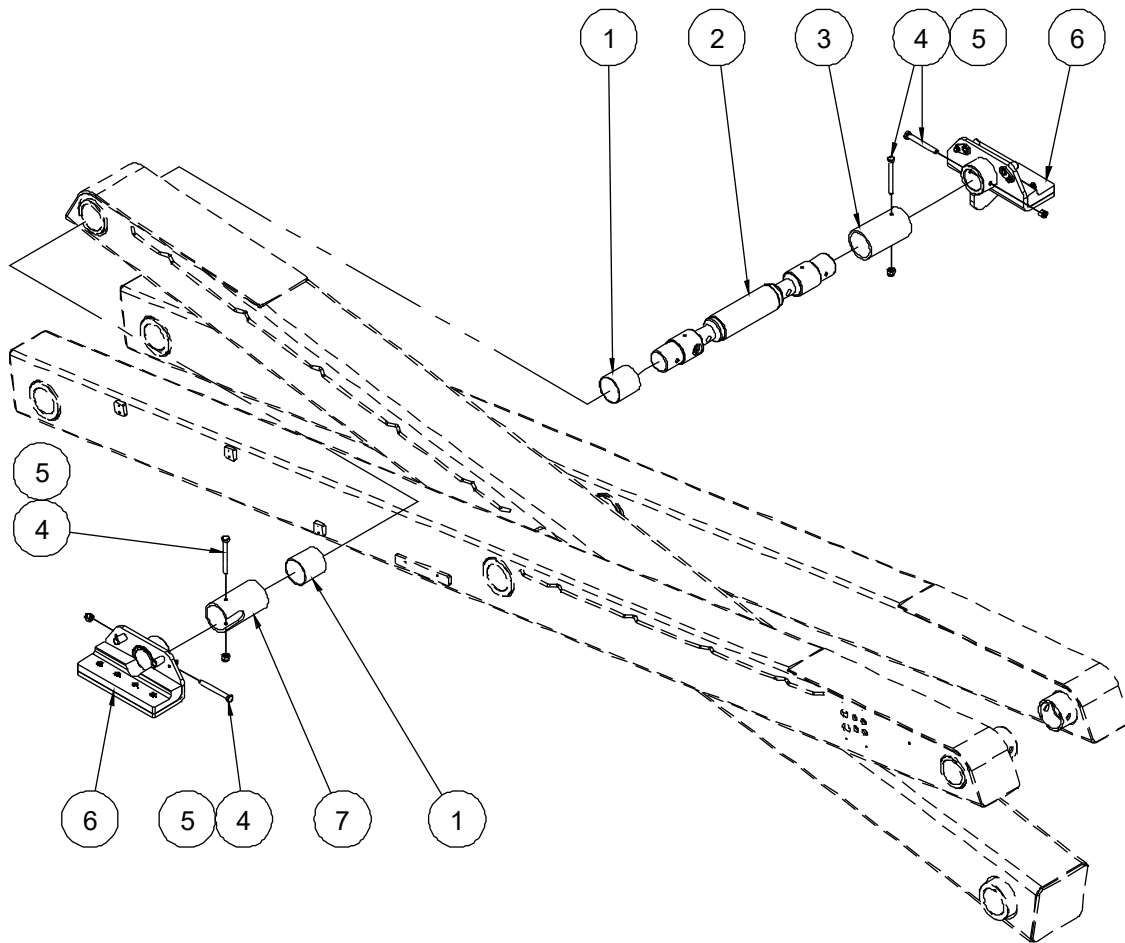
Item	Part No.	Description	Qty.
1	10018288	Spacer sleeve	2
2	00000623	Nut GB/T 6182 M10	2
3	10009258	Chassis slider	2
4	00004603	Bolt GB/T 5782 M10×120	2
5	00004483	Grease nipple GB/T 1152 M10×1	2
6	10018287	Pin	1
7	00001109	Bolt GB/T 5782 M16×130	2
8	00001257	Nut GB/T 6182 M16	2

711.1 Automatic Lubrication Systems - Scissor Arm pin joint G



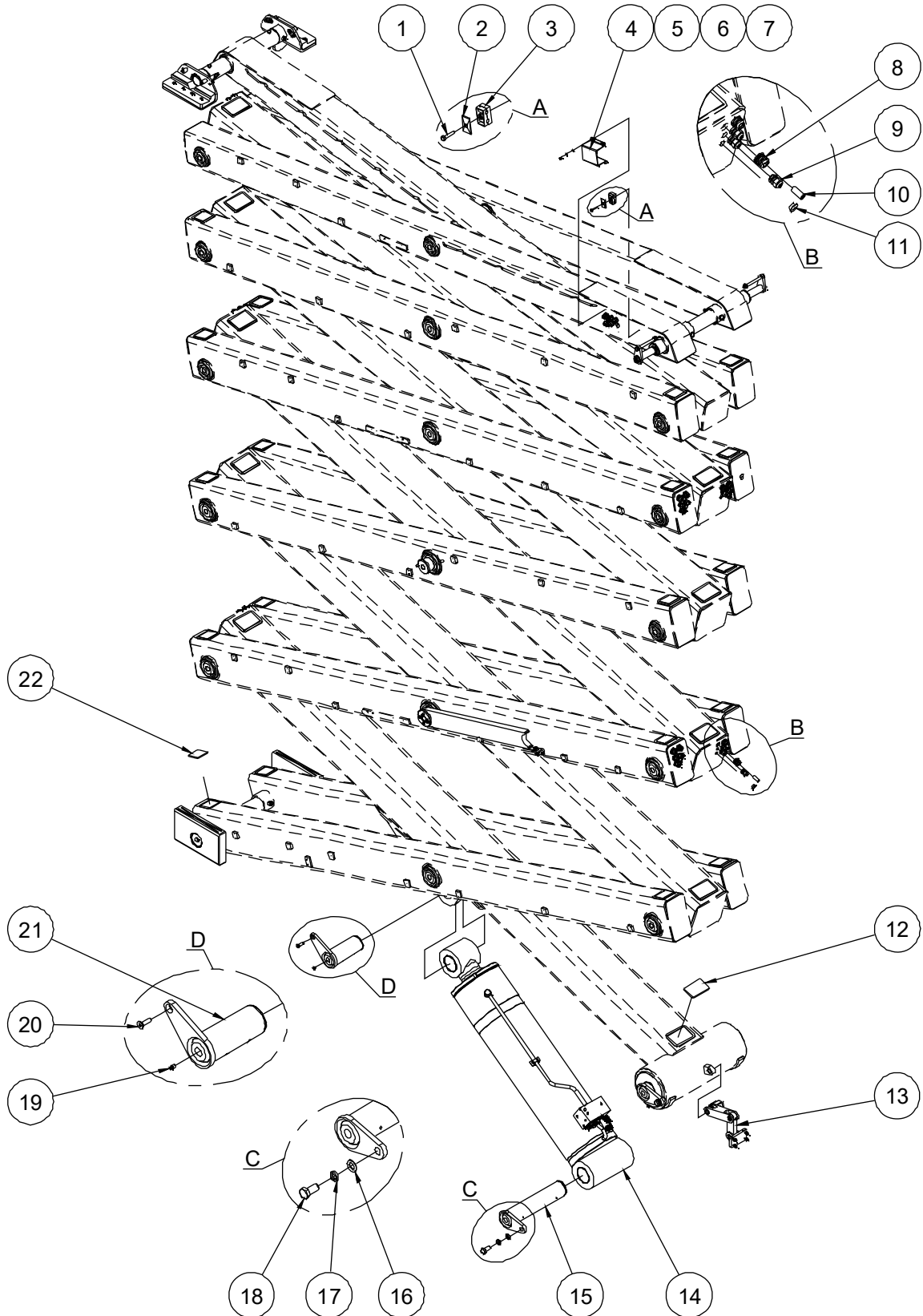
711.1 Automatic Lubrication Systems - Scissor Arm pin joint G

Item	Part No.	Description	Qty.
1	00006165	8812-404470 Bearing	2
2	10009398	Pin	2
3	10009399	Pin fixing plate	2
4	00000814	Washer GB/T 97.1 12	2
5	00000815	Washer GB/T 93 12	2
6	00002046	Bolt GB/T 5783 M12×35	2
7	00001998	Nut GB/T 6173 M22×1.5	2
8	00002550	Washer GB/T 97.1 22	2
9	00001257	Nut GB/T 6182 M16	2
10	00001109	Bolt GB/T 5782 M16×130	2
11	10009356	Pin	1

712.1 Automatic Lubrication Systems - Scissor Arm pin joint H**712.1 Automatic Lubrication Systems - Scissor Arm pin joint H**

Item	Part No.	Description	Qty.
1	00006166	8812-758080 Bearing	2
2	10009396	Pin	1
3	10009668	Spacer sleeve	1
4	00006174	Bolt GB/T 5782 M12×110	4
5	00001249	Nut GB/T 6182 M12	4
6		Platform slider assembly (refet to 210.1)	2
7	10009669	Spacer sleeve	1

713.1 Automatic Lubrication Systems - Lift cylinder and Scissor Accessory Installation



713.1 Automatic Lubrication Systems - Lift cylinder and Scissor Accessory Installation

Item	Part No.	Description	Qty.
1	00002604	Bolt GB/T 5783 M8×40	1
2	10000047	Base plate	1
3	00000538	Hose clamp	1
4	10017530	Cover	1
5	00000605	Washer GB/T 97.1 5	4
6	00000606	Washer GB/T 93 5	4
7	00001252	Screw GB/T 70.1 M5×12	4
8	00001829	Water-proof joint M30×1.5	24
9	00006128	Water-proof joint M20×1.5	A/R
10	10009675	Sheath	24
11	00006177	Cover	14
12	10009674	Block	10
13		Rotary sensor assembly (refer to 212.1)	1
14		Lift cylinder assembly (without seal kit) (refer to 401.1)	1
15	10009366	Pin	1
16	00001050	Washer GB/T 97.1 20	2
17	00002219	Washer GB/T 93 20	2
18	00002264	Bolt GB/T 5783 M20×40	1
19	00004483	Grease nipple GB/T 1152 M10×1	20
20	00000857	Screw GB/T 70.3 M12×40	1
21	10009370	Pin	1
22	10009673	Block	20

DINGLI AWP INDIA PRIVATE LIMITED

Address: Sahney Towers, 81, First Floor, Poonamallee High Road, Nerkundram,

Chennai, Tamil Nadu - 600 107

Telephone: +91-98846 48464

E-mail: support@dinglisaarc.com

Website: www.dinglisaarc.com

DINGLI