

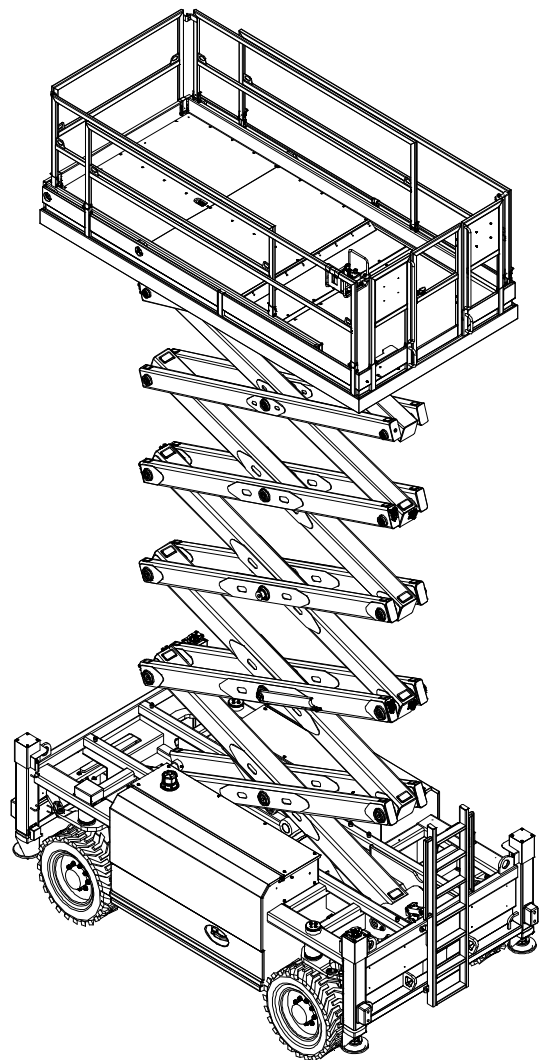
DINGLI

Exceed · New Height

Parts Manual

JCPT1923DCL

From SN
JPD1923122K0226-JPD1923123F0400



CE

Part Number: SM012220121

Version Number: Rev1.1

August 2023 Printing

DINGLI

Foreword

We are very appreciated for your interesting with Dingli machine and choosing it for your application. Our priority above all is you can use the machine safely for your application and you can benefit from the Dingli machine mostly. For these reason we hope you can:

1. Comply with employer, job site and local governmental rules.
2. Safeguard your commitment to quality by always using genuine Dingli spare parts. Remember, Dingli cannot accept responsibility for the failure of a separator equipped with non-original spare parts. We guarantee the quality and reliability of our products.
3. All sketch maps of parts shown in this manual are for reference only, it is the practical that counts. This manual includes all the latest information up to the date when it was printed. All responsibilities for the revision and explanation of the manual rest with the Dingli. We also preserve the right to edit the technology characteristic and content of the manual.
4. Anyone who read the manual or used the machine, is encouraged to notify Dingli Machinery Co, Ltd of any errors or send in suggestions for improvement. All communications will be carefully considered for future printings of this and other manuals, certainly if you have any question about the machine, please contact with our team by dialing technical support phone, sending email, or any methods you want, etc. Our contact information as bellow:

Please contact with:

DINGLI AWP INDIA PRIVATE LIMITED

Phone: +91-98846 48464

Email: support@dinglisaarc.com

Table of Contents

Section 1 Chassis

101.1	Steer Linkage and Wheels Installation	2
102.1	Steer Linkage and Wheels Assembly.....	4
103.1	Right Tray Door Installation	7
104.1	Right Tray Assembly.....	9
105.1	Motor Controller Assembly 2	11
106.1	Hydraulic Tank Assembly	12
107.1	Pump Motor Assembly	15
108.1	Left Tray Door Installation.....	16
109.1	Left Tray Assembly	18
110.1	Motor Controller Assembly 1	21
111.1	Manual Pump Assembly	23
112.1	Function Manifold Assembly.....	24
113.1	Ground Control Installation.....	25
114.1	Ground Control Box Assembly	26
115.1	Outriggers Assembly.....	29
116.1	Ladder and Chassis Accessory Installation.....	32
117.1	Outrigger Plate (Option).....	35

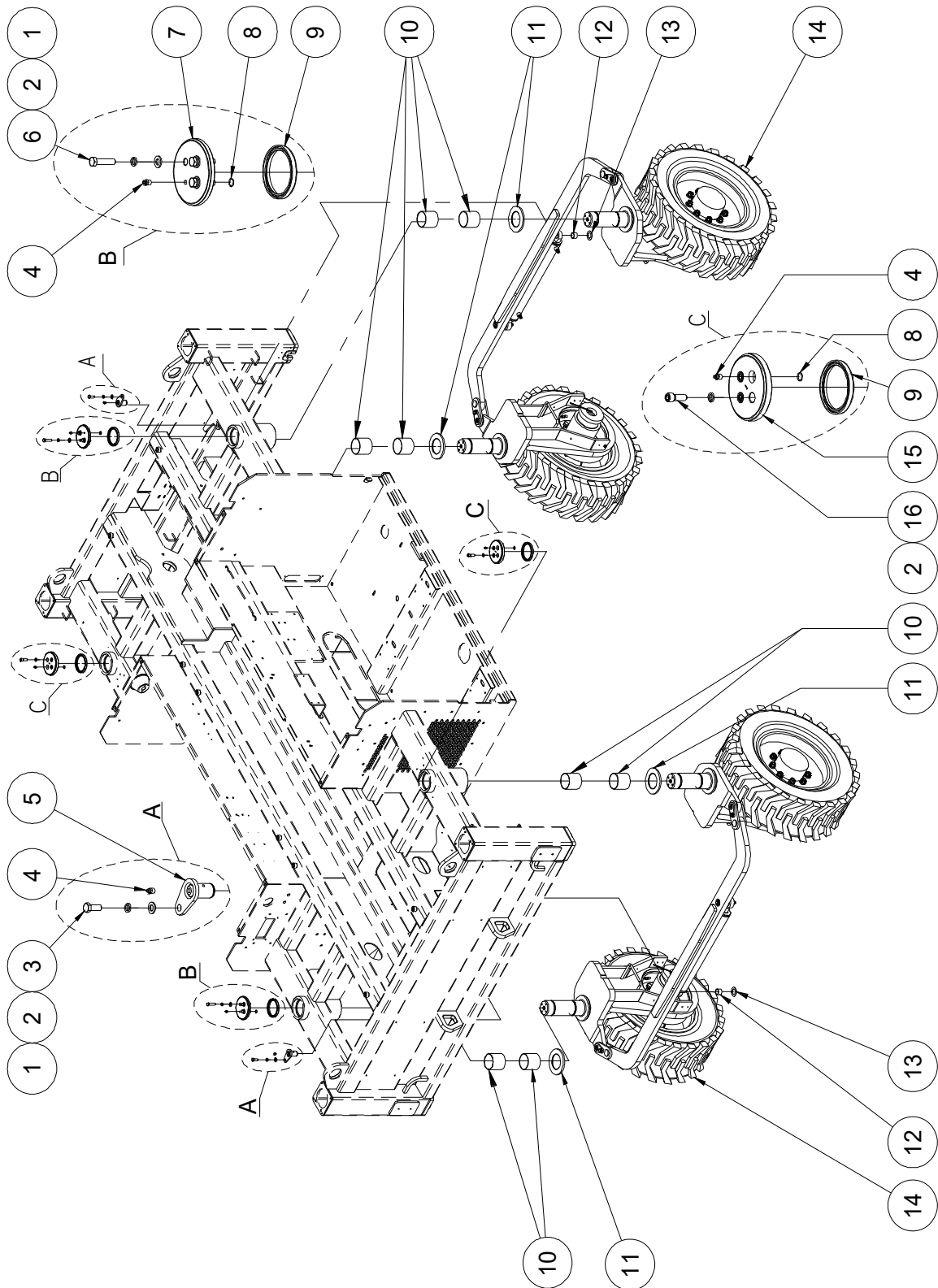
Section 2 Scissor

201.1	Scissor Arms Installation	37
202.1	Scissor Arm pin joint A.....	39
203.1	Scissor Arm pin joint B	40
204.1	Scissor Arm pin joint C	42
205.1	Scissor Arm pin joint D	43
206.1	Scissor Arm pin joint E	44
207.1	Scissor Arm pin joint F.....	45
208.1	Scissor Arm pin joint G	46
209.1	Scissor Arm pin joint H	47
210.1	Scissor Arm pin joint J.....	48
211.1	Scissor Arm pin joint K.....	49
212.1	Scissor Arm pin joint L.....	50
213.1	Scissor Arm pin joint M.....	51
214.1	Scissor Arm pin joint N	52
215.1	Scissor Arm pin joint O	53

215.1	Scissor Arm pin joint O	53
216.1	Scissor Arm pin joint P	54
217.1	Platform Slider Assembly	55
218.1	Lift cylinder and Scissor Accessory Installation	56
219.1	Rotary Sensor Assembly	58
Section 3 Platform		
301.1	Main Platform Assembly	61
302.1	Platform Extension Assembly	64
303.1	Platform Control Box Assembly	66
304.1	Top Telescopic Cylinder Assembly	67
305.1	Platform cable plate	69
Section 4 Hydraulic System		
401.1	Lift Cylinder Assembly	72
402.1	Left Outrigger Cylinder Assembly	74
403.1	Right Outrigger Cylinder Assembly	76
404.1	Function Manifold	78
404.2	Function Manifold	80
404.3	Function Manifold	82
405.1	Counterbalance Manifold Assembly	84
406.1	Hydraulic Hoses and Fittings	85
Section 5 Electrical System		
501.1	Electrical Harness	89
502.1	Power to Platform	92
Section 6 Decal		
601.1	Decals with Words	95
602.1	Decals with Symbols	100

Section 1 Chassis

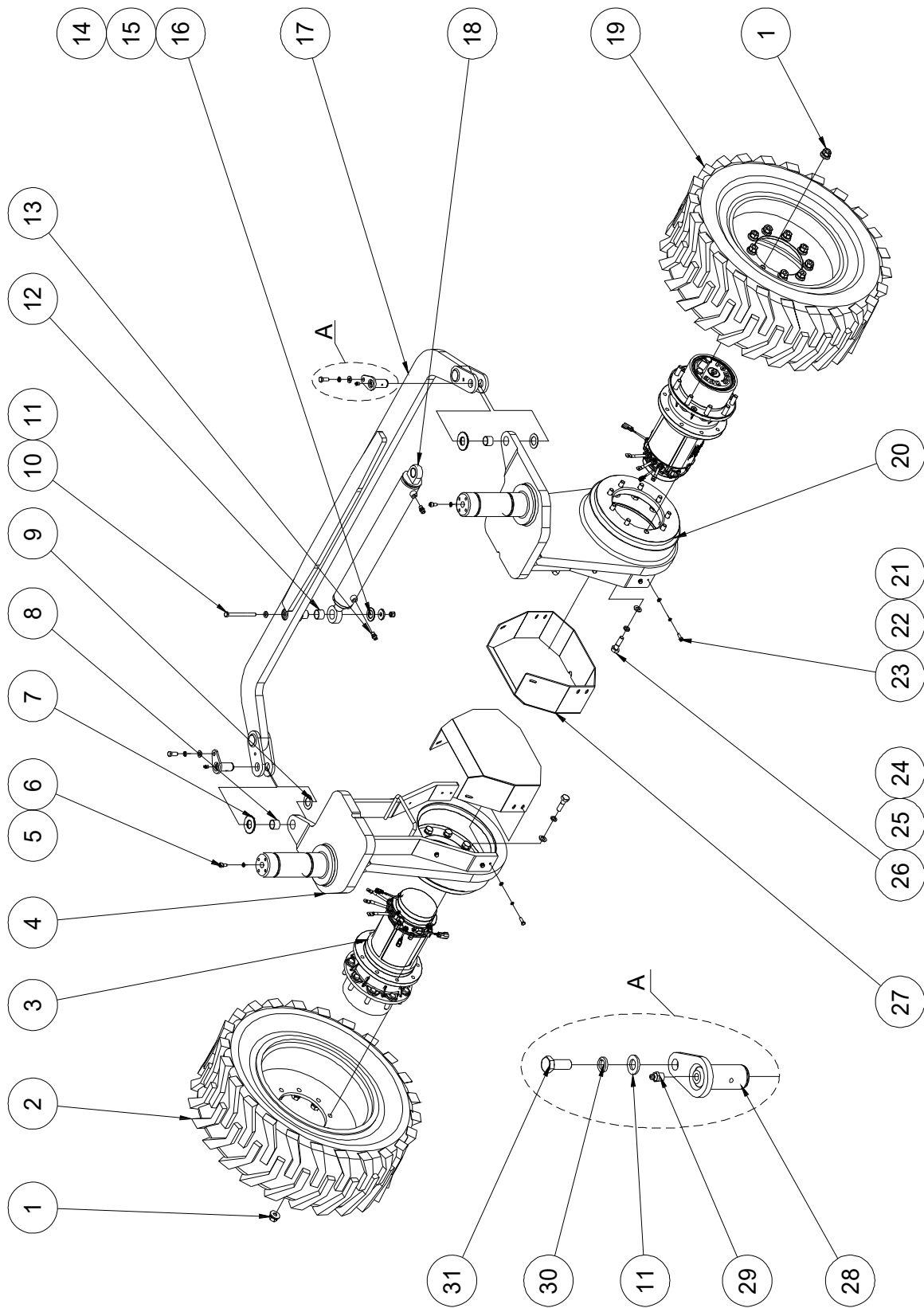
101.1 Steer Linkage and Wheels Installation



101.1 Steer Linkage and Wheels Installation

Item	Part No.	Description	Qty.
1	00000814	Washer GB/T 97.1 12	8
2	00000815	Washer GB/T 93 12	14
3	00002059	Bolt GB/T 5783 M12×30	2
4	00004483	Grease nipple GB/T 1152 M10×1	6
5	10010151	Pin	2
6	00001856	Bolt GB/T 5783 M12×50	6
7	10011489	Cover	2
8	00006127	O-ring GB/T 3452.1-14×1.8	4
9	00006126	Seal GB/T 13871.1 FB 90 110 12 III	4
10	00006140	8812-909590A Bearing	4
11	10010961	Washer	4
12	00000376	8812-303425 Bearing	2
13	00004610	8832-32 Bearing	6
14		Steer linkage and wheels assembly (refer to 102.1)	2
15	10011488	Cover	2
16	00006425	Screw GB/T 70.1 M12×35	6

102.1 Steer Linkage and Wheels Assembly



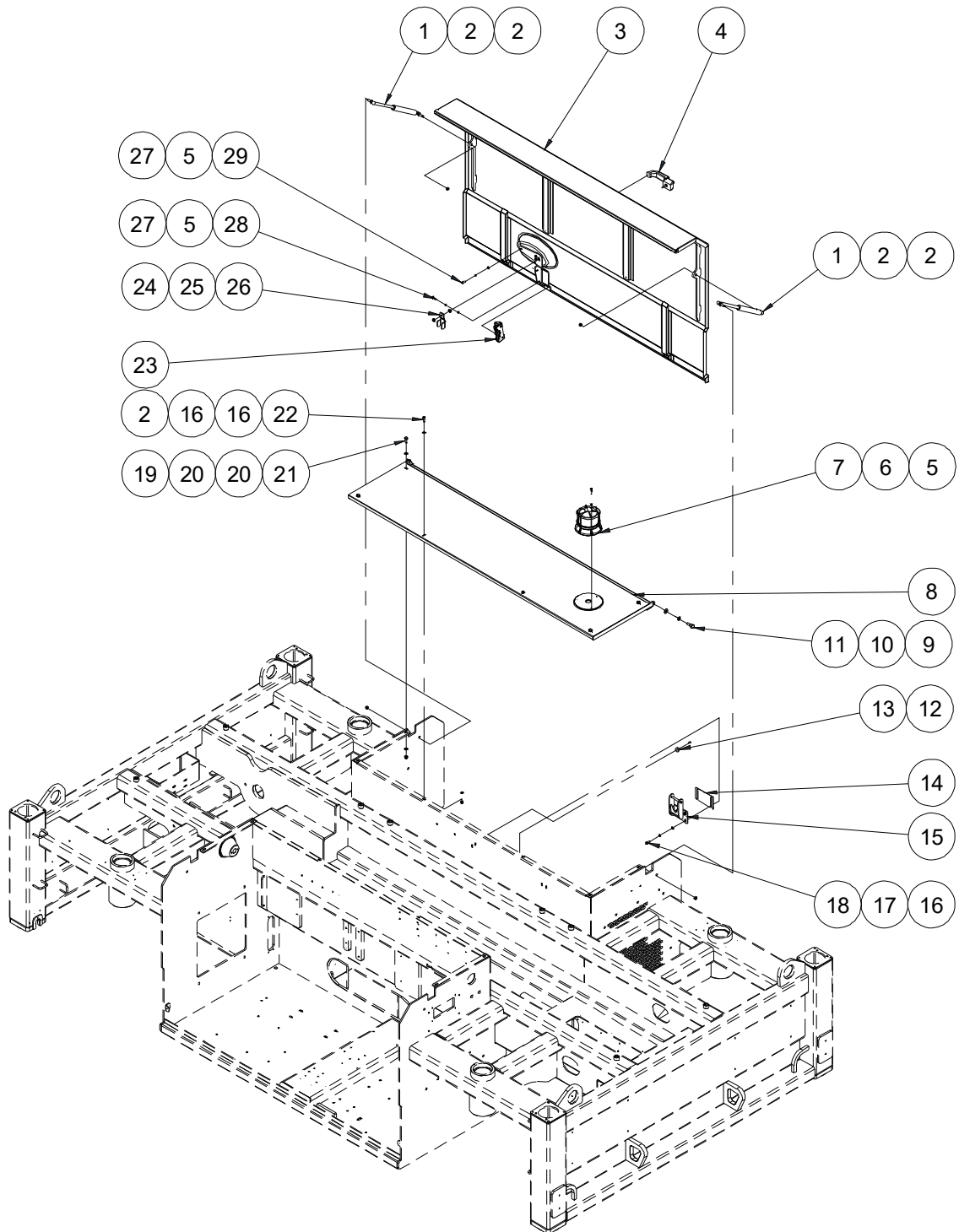
102.1 Steer Linkage and Wheels Assembly

Item	Part No.	Description	Qty.
1	00002274	5/8-18UNF Nut	18
2	00008471	Wheel (grey)	1
	00008132	Wheel (black)	1
3	00008142	Drive motor assembly	2
--	00008143	Reducer	2
--	10011238	Motor	2
--	00006313	Brake	2
4	10024005	Steer yoke weldment	1
5	00000679	Washer GB/T 93 10	2
6	00002249	Screw GB/T 70.1 M10×20	2
7	10010281	Washer	2
8	00006147	8812-303425A Bearing	2
9	00004610	8832-32 Bearing	2
10	00002012	Bolt GB/T 5782 M12×130	1
11	00000814	Washer GB/T 97.1 12	3
12	00000376	8812-303425 Bearing	2
13	00001282	Straight fitting	2
14	00001249	Nut GB/T 6182 M12	1
15	10010963	Washer	1
16	10013519	Washer	1
17	10010952	Tie rod weldment	1
18	10014153	Steer cylinder assembly (without seal kit)	1
--	00007234	Seal kit	1
19	00008470	Wheel (grey)	1
	00008131	Wheel (black)	1
20	10024007	Steer yoke weldment	1
21	00000608	Washer GB/T 97.1 8	12
22	00000609	Washer GB/T 93 8	12
23	00000993	Bolt GB/T 5783 M8×25	12

102.1 Steer Linkage and Wheels Assembly

Item	Part No.	Description	Qty.
24	00000997	Washer GB/T 97.1 16	18
25	00001035	Washer GB/T 93 16	18
26	00001234	5/8-11×2 1/4" Bolt ANSI B18.2.1	18
27	10019824	Motor cover	2
28	10010967	Pin	2
29	00004483	Grease nipple GB/T 1152 M10×1	2
30	00000815	Washer GB/T 93 12	2
31	00002059	Bolt GB/T 5783 M12×30	2

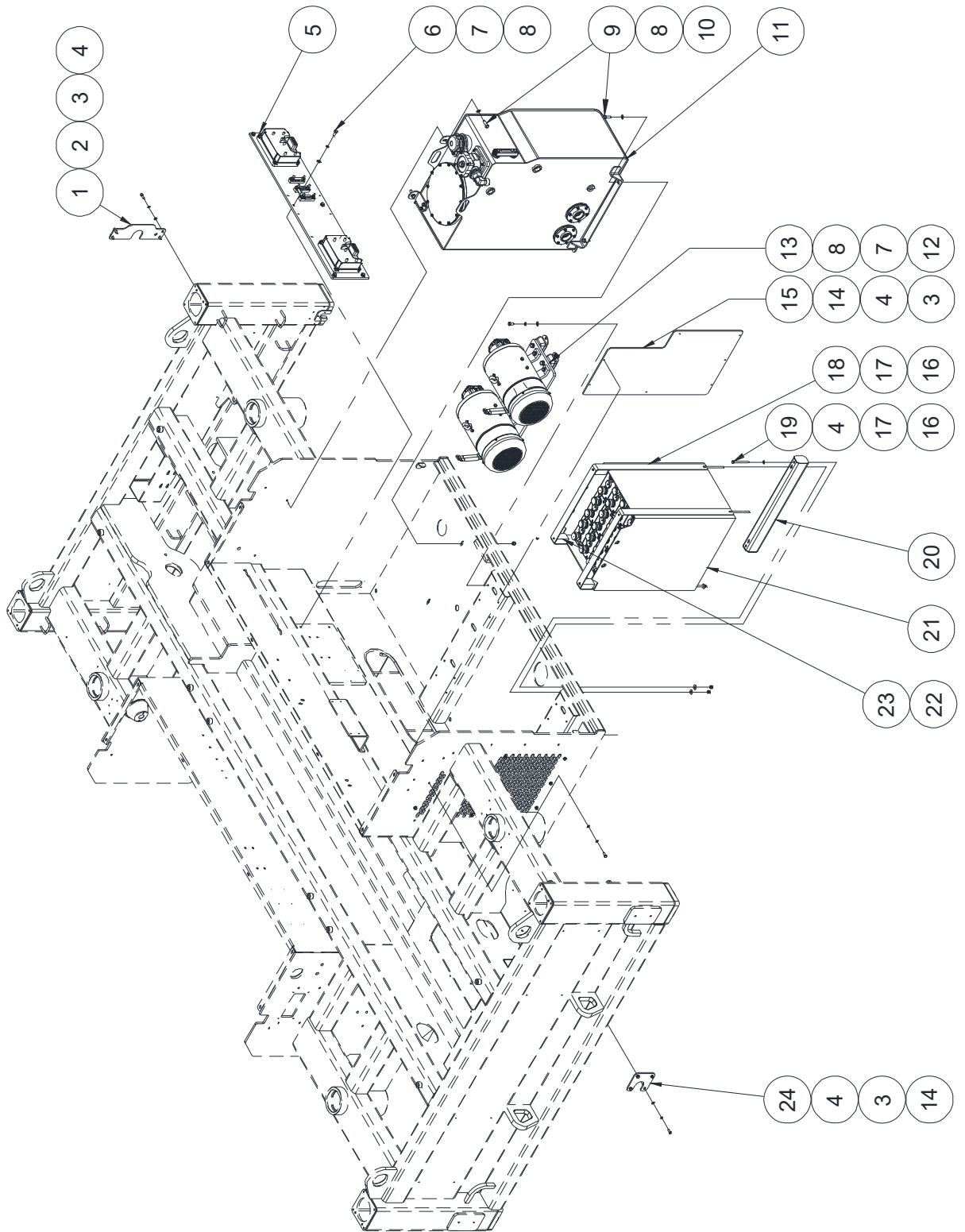
103.1 Right Tray Door Installation



103.1 Right Tray Door Installation

Item	Part No.	Description	Qty.
1	10010148	Gas shock	2
2	00001163	Nut GB/T 6182 M8	6
3	10023960	Right door	1
4	50000524	Handle	1
5	00000621	Washer GB/T 93 6	5
6	00002029	Screw GB/T 70.1 M6×12	1
7	00004883	Beacon	1
8	10024019	Cover	1
9	00001043	Washer GB/T 97.1 14	2
10	00001258	Washer GB/T 93 14	2
11	10010215	Pin	2
12	00002026	Screw GB/T 818 M4×10 - H	2
13	10000376	Bumper	2
14	10010444	Adjusting plate	1
15	10010254	Lock clasp	1
16	00000608	Washer GB/T 97.1 8	8
17	00000609	Washer GB/T 93 8	4
18	00000875	Bolt GB/T 5783 M8×20	4
19	00000623	Nut GB/T 6182 M10	4
20	00000615	Washer GB/T 97.1 10	8
21	00000678	Bolt GB/T 5783 M10×25	4
22	00000993	Bolt GB/T 5783 M8×25	2
23	10000481	Latch (left)	1
24	50000479	Nut	1
25	50000478	Threaded sleeve	1
26	10016135	Bracket	1
27	00000620	Washer GB/T 97.1 6	4
28	00000619	Bolt GB/T 5783 M6×25	1
29	00000743	Bolt GB/T 5783 M6×20	3

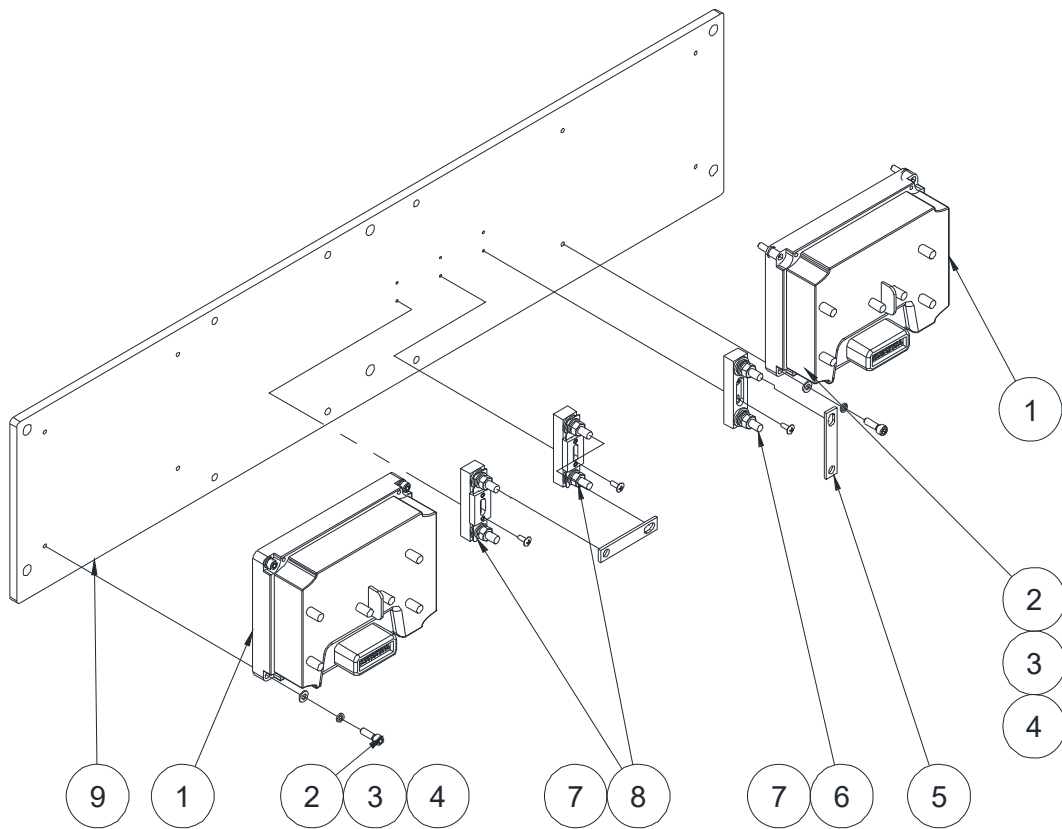
104.1 Right Tray Assembly



104.1 Right Tray Assembly

Item	Part No.	Description	Qty.
1	10018688	Cover	1
2	00001061	Screw GB/T 70.1 M8×20	4
3	00000609	Washer GB/T 93 8	15
4	00000608	Washer GB/T 97.1 8	19
5		Motor controller assembly 2 (refer to 105.1)	1
6	00000678	Bolt GB/T 5783 M10×25	6
7	00000679	Washer GB/T 93 10	14
8	00000615	Washer GB/T 97.1 10	18
9	00000683	Bolt GB/T 5783 M10×30	4
10	00000623	Nut GB/T 6182 M10	4
11		Hydraulic tank assembly (refer to 106.1)	1
12	00000674	Bolt GB/T 5783 M10×20	8
13		Pump motor assembly (refer to 107.1)	1
14	00000875	Bolt GB/T 5783 M8×20	11
15	10010203	Cover	1
16	00001163	Nut GB/T 6182 M8	8
17	00002000	Washer GB/T 96.1 8	8
18	10024011	Battery strap	2
19	00002892	Bolt GB/T 5782 M8×90	4
20	10024009	Battery support	2
21	00008969	Battery unit	1
22	00005259	Screw GB/T 819 M4×14 - H	4
23	10024384	Rubber block	4
24	10013282	Cover	1

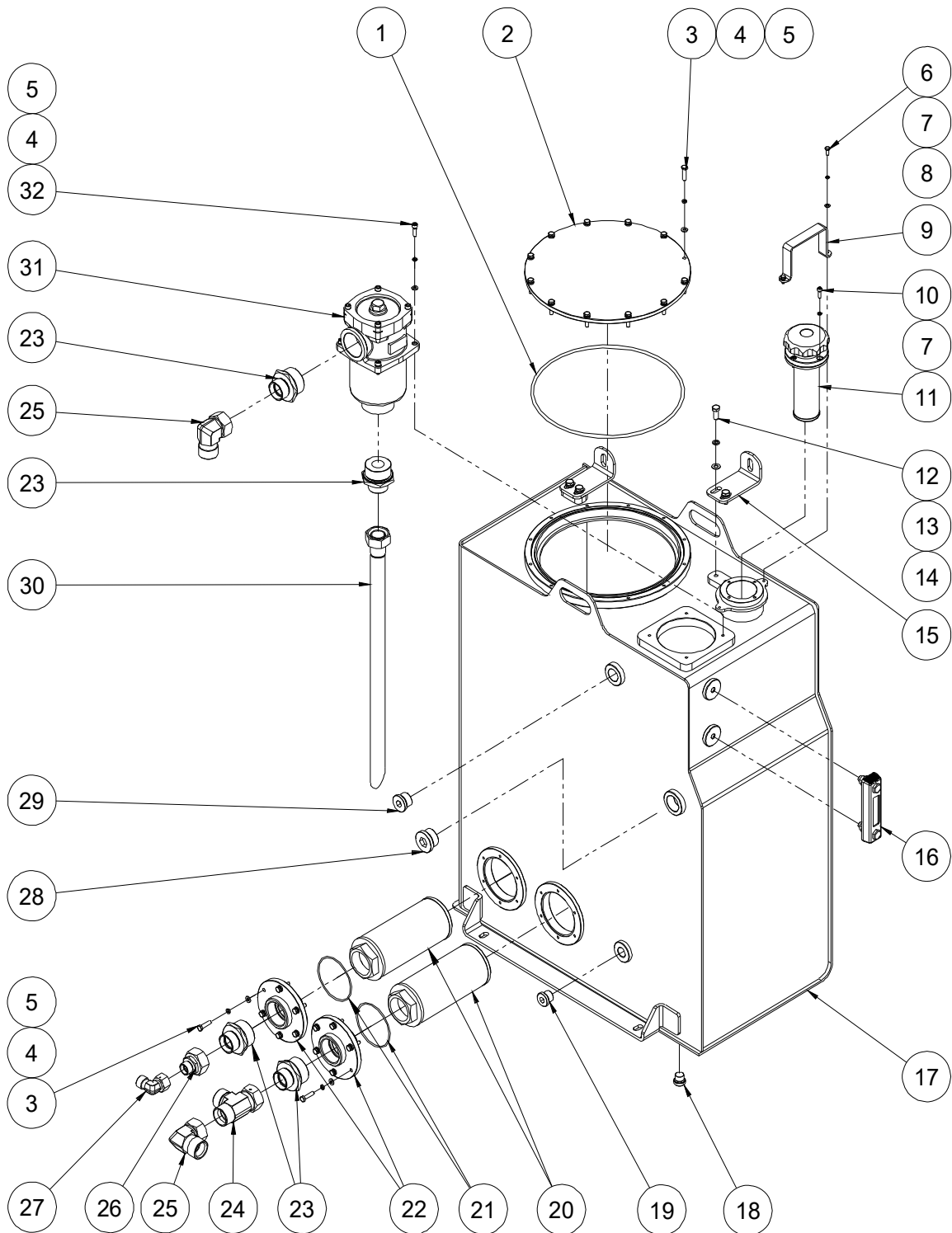
105.1 Motor Controller Assembly 2



105.1 Motor Controller Assembly 2

Item	Part No.	Description	Qty.
1	00000641	Motor controller	2
2	00000774	Screw GB/T 70.1 M6×20	8
3	00000621	Washer GB/T 93 6	8
4	00000620	Washer GB/T 97.1 6	8
5	50000099	Copper bar 3	2
6	00000757	Fuse seat	1
7	00001003	Screw GB/T 973 M4×12	6
8	00001031	350A Fuse assembly	2
--	00000758	350A Fuse	1
--	00000757	Fuse seat	1
9	10024029	Mounting plate	1

106.1 Hydraulic Tank Assembly



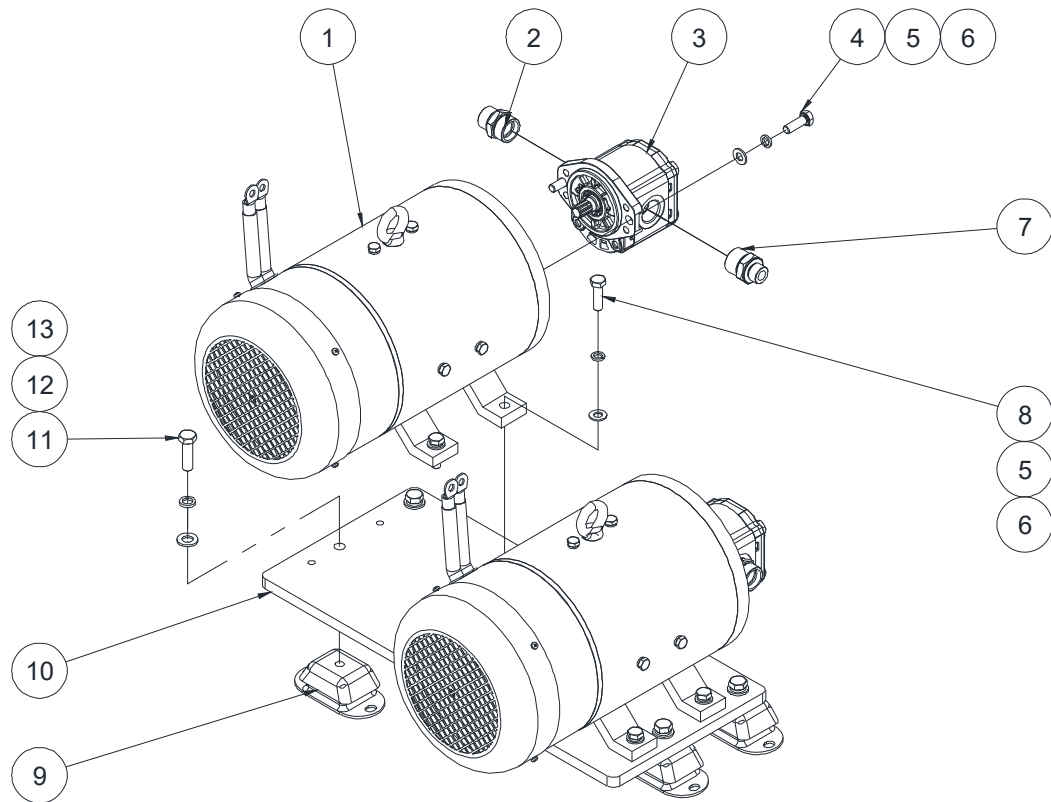
106.1 Hydraulic Tank Assembly

Item	Part No.	Description	Qty.
1	00004412	O-ring GB/T 3452.1-272×5.3	1
2	10011071	Cover	1
3	00000619	Bolt GB/T 5783 M6×25	24
4	00000621	Washer GB/T 93 6	28
5	00000620	Washer GB/T 97.1 6	28
6	00002246	Bolt GB/T 5783 M5×12	2
7	00000606	Washer GB/T 93 5	6
8	00000605	Washer GB/T 97.1 5	2
9	10013558	Keeper bar	1
10	00001246	Screw GB/T 70.1 M5×16	4
11	00000520	Air cleaner	1
12	00000875	Bolt GB/T 5783 M8×20	4
13	00000609	Washer GB/T 93 8	4
14	00000608	Washer GB/T 97.1 8	4
15	10011836	Bracket	2
16	00001873	Level gauge	1
17	10023616	Hydraulic tank weldment	1
18	00001074	Plug VSTI16×1.5ED	1
19	00001076	Plug VSTI20×1.5ED	1
20	00001872	Suction filter	2
21	00001536	O-ring As568A 82.22×2.62	2
22	50001442	Flange	2
23	00003964	Straight fitting	4
24	00001242	Tee fitting	1
25	00001837	Elbow	2
26	00003844	Straight fitting	1
27	00001835	Elbow	1
28	00001080	Plug VSTI33×2ED	1
29	00001078	Plug VSTI 26×1.5ED	1

106.1 Hydraulic Tank Assembly

Item	Part No.	Description	Qty.
30	10011561	Pipe	1
31	00001869	Return filter	1
--	00004706	Filter element	1
32	00000774	Screw GB/T 70.1 M6×20	4

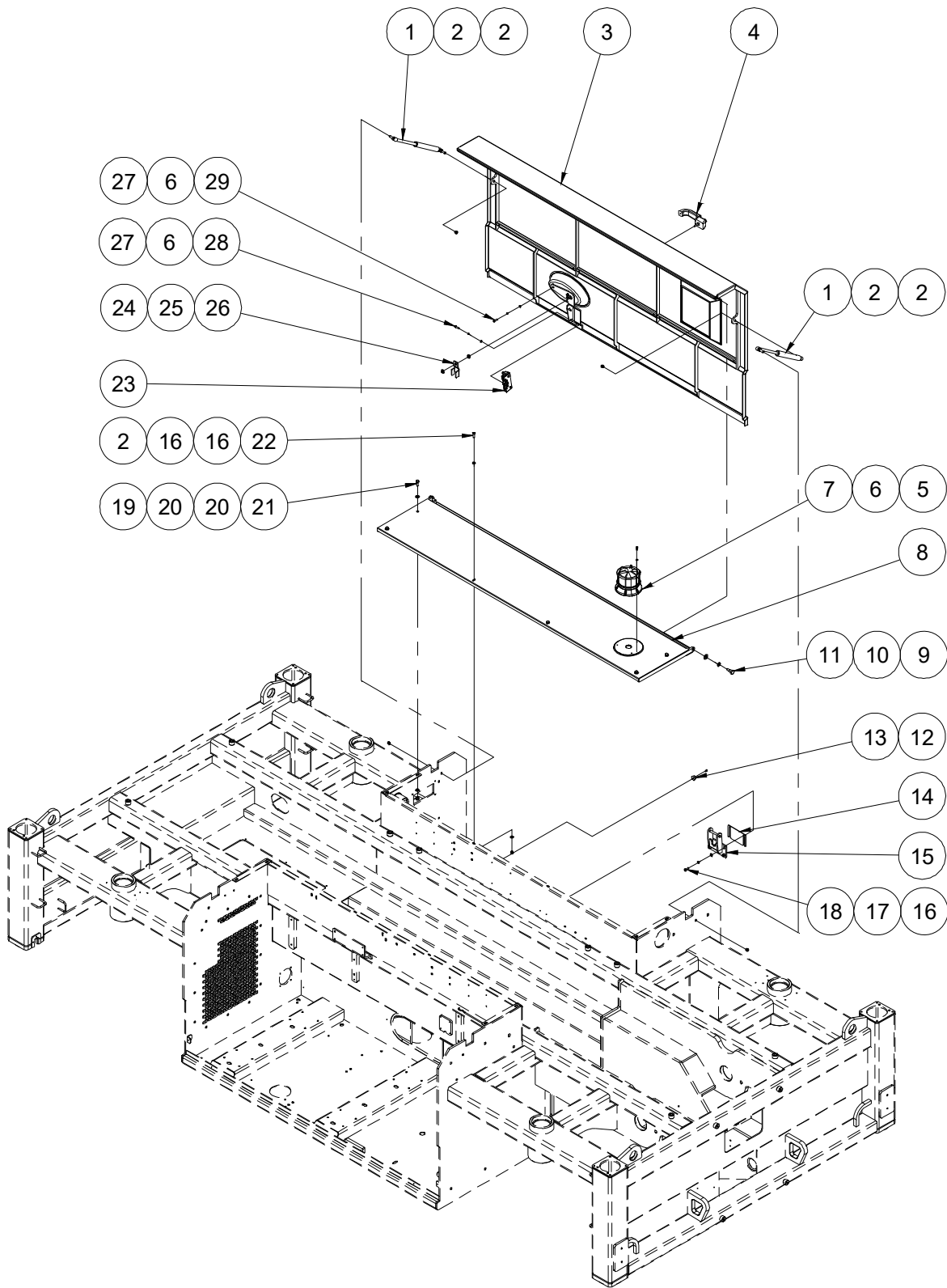
107.1 Pump Motor Assembly



107.1 Pump Motor Assembly

Item	Part No.	Description	Qty.
1	00007214	Motor	2
2	00001512	Straight fitting	2
3	00005728	Pump	2
4	00000683	Bolt GB/T 5783 M10×30	4
5	00000679	Washer GB/T 93 10	12
6	00000615	Washer GB/T 97.1 10	12
7	00001748	Straight fitting	2
8	00000684	Bolt GB/T 5783 M10×35	8
9	00002162	Absorber	4
10	10024017	Motor bracket	1
11	00001055	Bolt GB/T 5783 M12×40	4
12	00000815	Washer GB/T 93 12	4
13	00000814	Washer GB/T 97.1 12	4

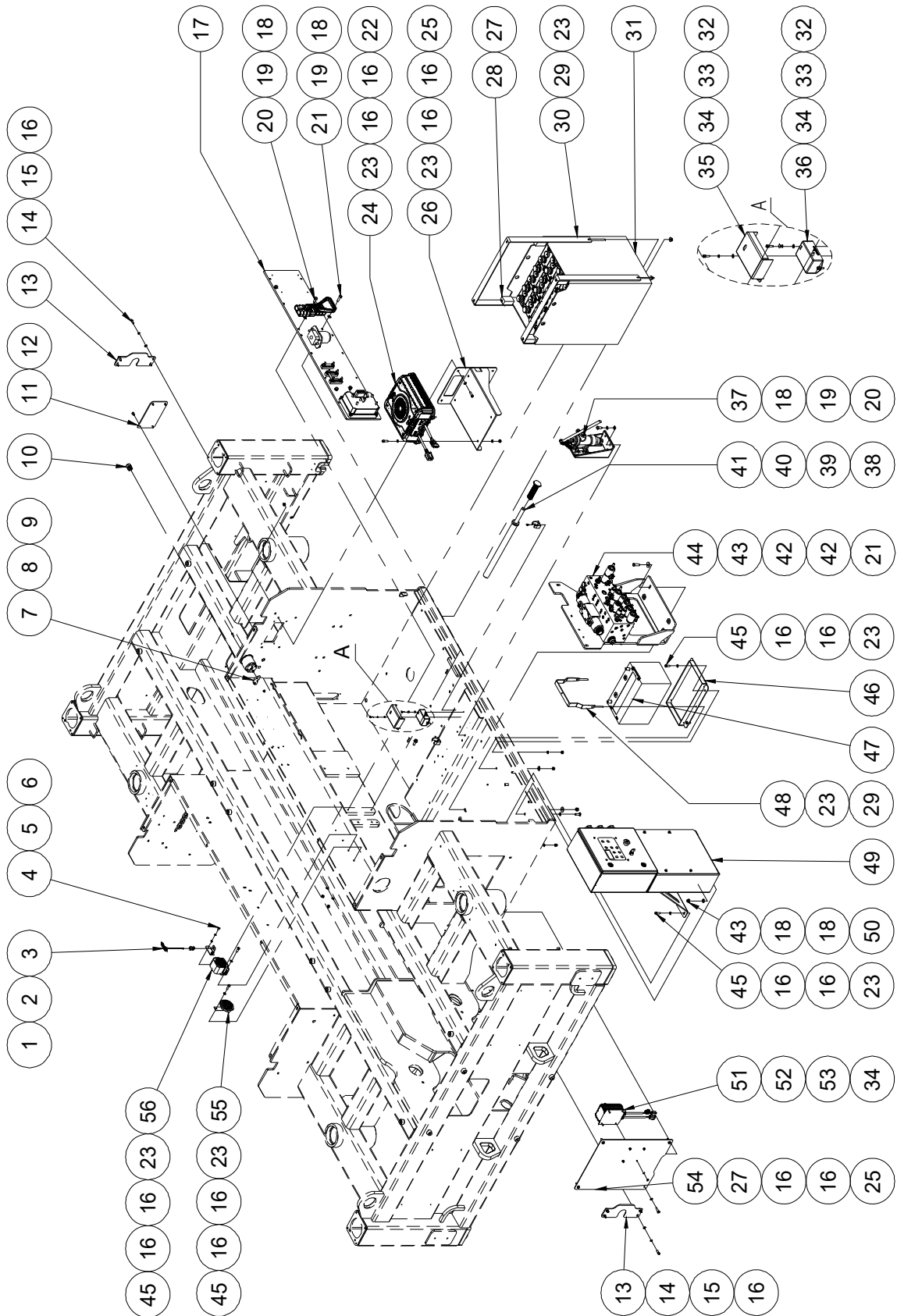
108.1 Left Tray Door Installation



108.1 Left Tray Door Installation

Item	Part No.	Description	Qty.
1	10010148	Gas shock	2
2	00001163	Nut GB/T 6182 M8	6
3	10024022	Left door	1
4	50000524	Handle	1
5	00002029	Screw GB/T 70.1 M6×12	1
6	00000621	Washer GB/T 93 6	6
7	00004883	Beacon	1
8	10024019	Cover	1
9	00001043	Washer GB/T 97.1 14	2
10	00001258	Washer GB/T 93 14	2
11	10010215	Pin	2
12	00002026	Screw GB/T 818 M4×10 - H	2
13	10000376	Bumper	2
14	10010444	Adjusting plate	1
15	10010254	Lock clasp	1
16	00000608	Washer GB/T 97.1 8	8
17	00000609	Washer GB/T 93 8	4
18	00000875	Bolt GB/T 5783 M8×20	4
19	00000623	Nut GB/T 6182 M10	4
20	00000615	Washer GB/T 97.1 10	8
21	00000678	Bolt GB/T 5783 M10×25	4
22	00000993	Bolt GB/T 5783 M8×25	2
23	10000481	Latch (left)	1
24	50000479	Nut	1
25	50000478	Threaded sleeve	1
26	10016135	Bracket	1
27	00000620	Washer GB/T 97.1 6	5
28	00000619	Bolt GB/T 5783 M6×25	1
29	00000743	Bolt GB/T 5783 M6×20	3

109.1 Left Tray Assembly



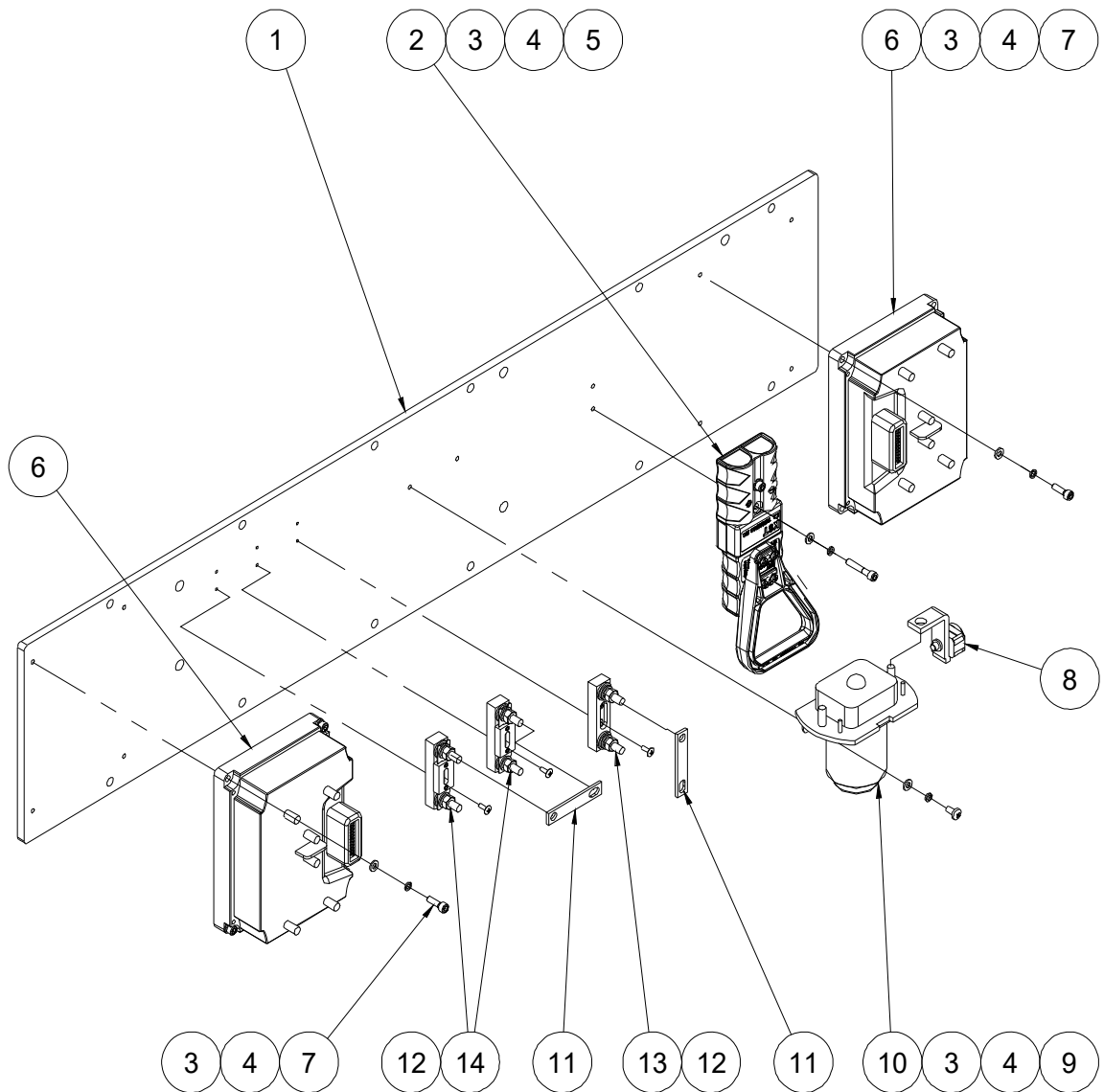
109.1 Left Tray Assembly

Item	Part No.	Description	Qty.
1	10012522	Bracket	1
2	00001825	Water-proof joint M12	1
3	00006828	Wrench GB/T 5356-3	1
4	00000745	Bolt GB/T 5783 M6×12	2
5	00000621	Washer GB/T 93 6	2
6	00000620	Washer GB/T 97.1 6	2
7	10000537	Half-round batten	2
8	00000612	Screw GB/T 818 M5×20 - H	4
9	00002573	Nut GB/T 6183.1 M5	4
10	00001828	Water-proof joint M20	2
11	10010306	Cover	1
12	00001185	Screw GB/T 70.2 M8×12	4
13	10013278	Cover	2
14	00001061	Screw GB/T 70.1 M8×20	8
15	00000609	Washer GB/T 93 8	8
16	00000608	Washer GB/T 97.1 8	50
17		Motor controller assembly 1 (refer to 110.1)	1
18	00000615	Washer GB/T 97.1 10	17
19	00000679	Washer GB/T 93 10	9
20	00000678	Bolt GB/T 5783 M10×25	7
21	00000684	Bolt GB/T 5783 M10×35	2
22	00002560	Screw GB/T 70.1 M8×30	4
23	00001163	Nut GB/T 6182 M8	27
24	00005371	Charger	1
25	00000995	Bolt GB/T 5783 M8×30	8
26	10010278	Charger bracket weldment	1
27	00005259	Screw GB/T 819 M4×14 - H	4
28	10024384	Rubber block	4
29	00002000	Washer GB/T 96.1 8	6

109.1 Left Tray Assembly

Item	Part No.	Description	Qty.
30	10024014	Battery strap	2
31	00008969	Battery	1
32	00001246	Screw GB/T 70.1 M5×16	8
33	00000606	Washer GB/T 93 5	4
34	00000605	Washer GB/T 97.1 5	12
35	10003942	Tilt sensor cover	1
36	00003962	Tilt sensor	1
37		Manual pump assembly (refer to 111.1)	1
38	00001824	Clip 32	2
39	00002002	Screw GB/T 70.1 M4×10	2
40	10004798	Handle grip	1
41	10004795	Handle	1
42	00001028	Washer GB/T 96.1 10	8
43	00000623	Nut GB/T 6182 M10	8
44		Function manifold assembly (refer to 112.1)	1
45	00000993	Bolt GB/T 5783 M8×25	9
46	10010136	Battery box weldment	1
47	00002200	Battery	1
48	10010146	Battery strap	1
49		Ground control installation (refer to 113.1)	1
50	00000683	Bolt GB/T 5783 M10×30	4
51	00007381	Charger	1
52	00000817	Screw GB/T 70.1 M5×20	4
53	00000613	Nut GB/T 6182 M5	4
54	10024033	Cover	1
55	00002212	Horn	1
56	00004438	Alarm	1

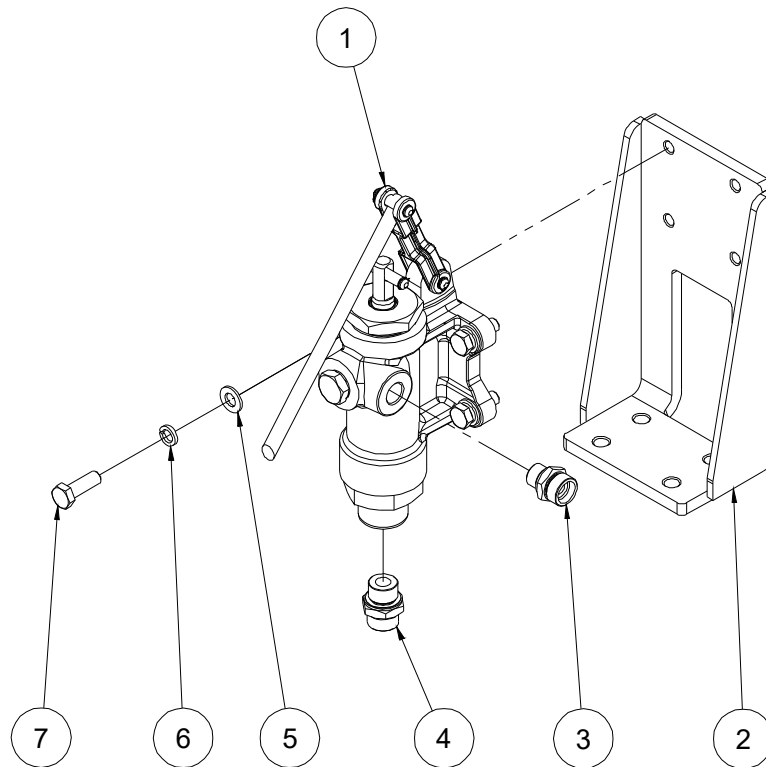
110.1 Motor Controller Assembly 1



110.1 Motor Controller Assembly 1

Item	Part No.	Description	Qty.
1	10024031	Mounting plate	1
2	00006590	Power connector	1
3	00000620	Washer GB/T 97.1 6	9
4	00000621	Washer GB/T 93 6	9
5	00002934	Screw GB/T 70.1 M6×35	2
6	00000641	Motor controller	2
7	00000774	Screw GB/T 70.1 M6×20	5
8	00010402	600A Fuse assembly	1
9	00001060	Screw GB/T 818 M6×12 - H	2
10	00005407	DC Contactor	1
11	50000099	Copper bar 3	2
12	00001003	Screw GB/T 973 M4×12	6
13	00000757	Fuse seat	1
14	00001031	350A Fuse assembly	2
--	00000758	350A Fuse	1
--	00000757	Fuse seat	1

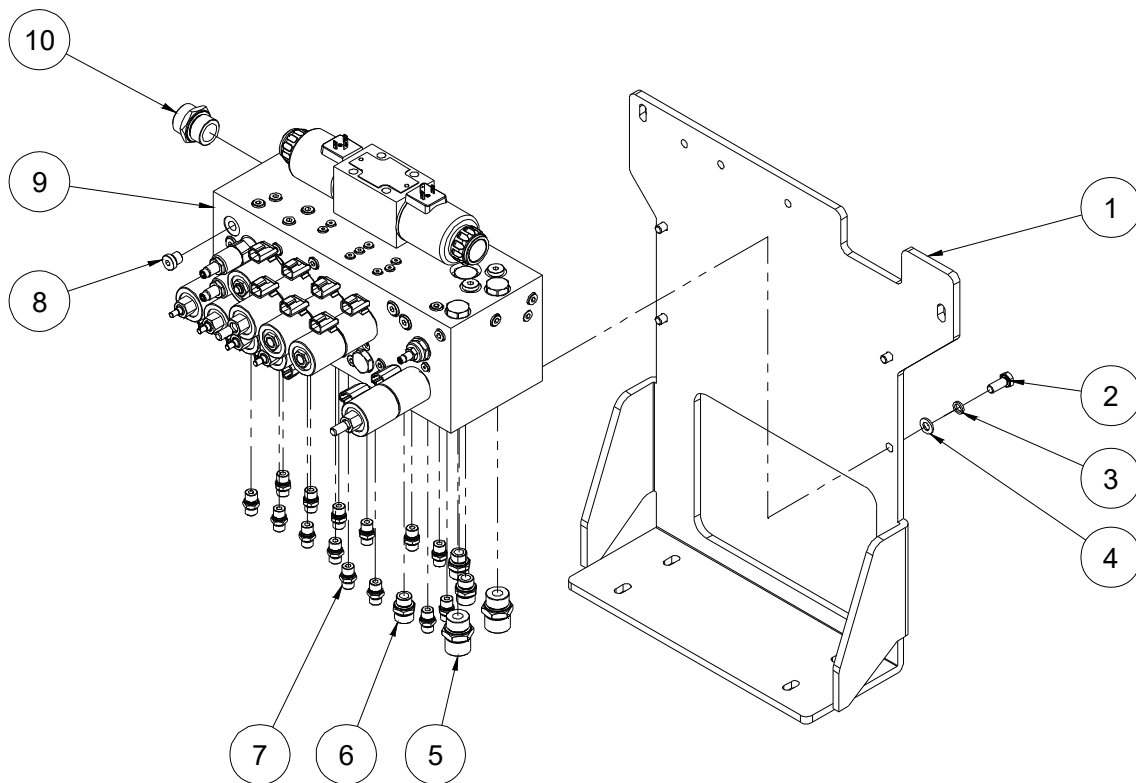
111.1 Manual Pump Assembly



111.1 Manual Pump Assembly

Item	Part No.	Description	Qty.
1	00000315	Manual pump	1
2	10004781	Manual pump bracket	1
3	00001507	Straight fitting	1
4	00001506	Straight fitting	1
5	00000615	Washer GB/T 97.1 10	4
6	00000679	Washer GB/T 93 10	4
7	00000683	Bolt GB/T 5783 M10×30	4

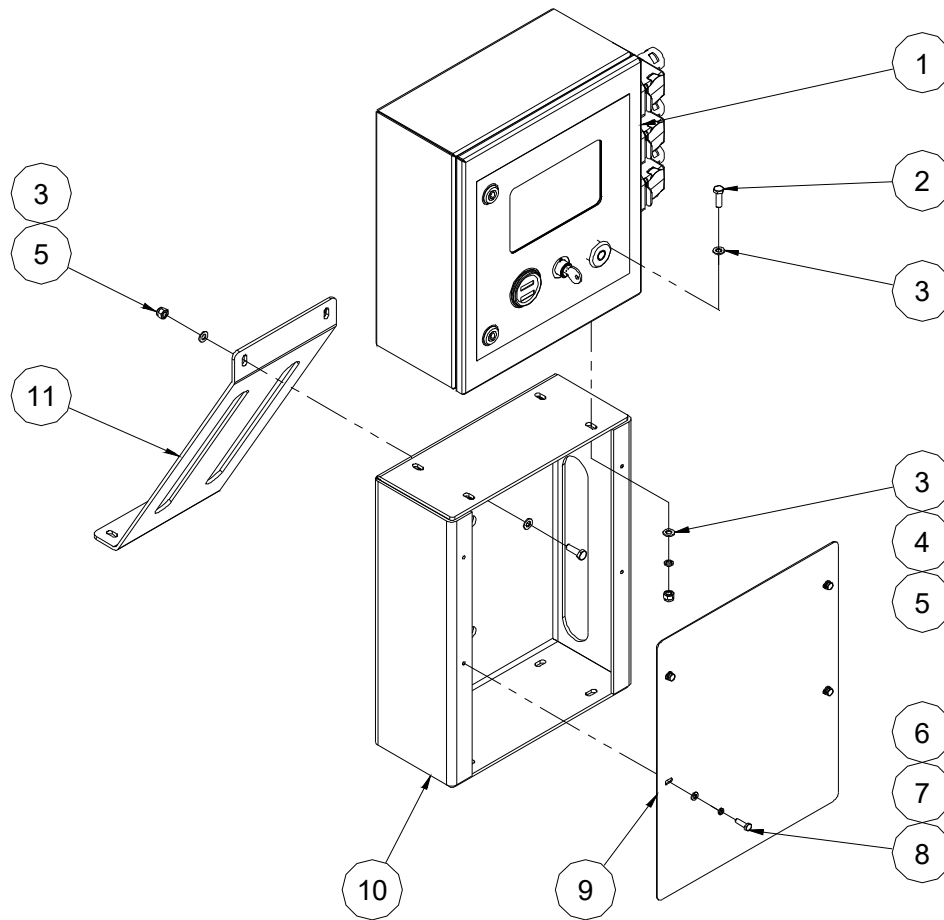
112.1 Function Manifold Assembly



112.1 Function Manifold Assembly

Item	Part No.	Description	Qty.
1	10014297	Function manifold bracket	1
2	00000678	Bolt GB/T 5783 M10×25	4
3	00000679	Washer GB/T 93 10	4
4	00000615	Washer GB/T 97.1 10	4
5	00003696	Straight fitting	2
6	00001264	Straight fitting	3
7	00001282	Straight fitting	14
8	00001073	Plug VST114×1.5ED	1
9		Function manifold (refer to 404.1, 404.2, 404.3)	1
10	00002071	Straight fitting	1

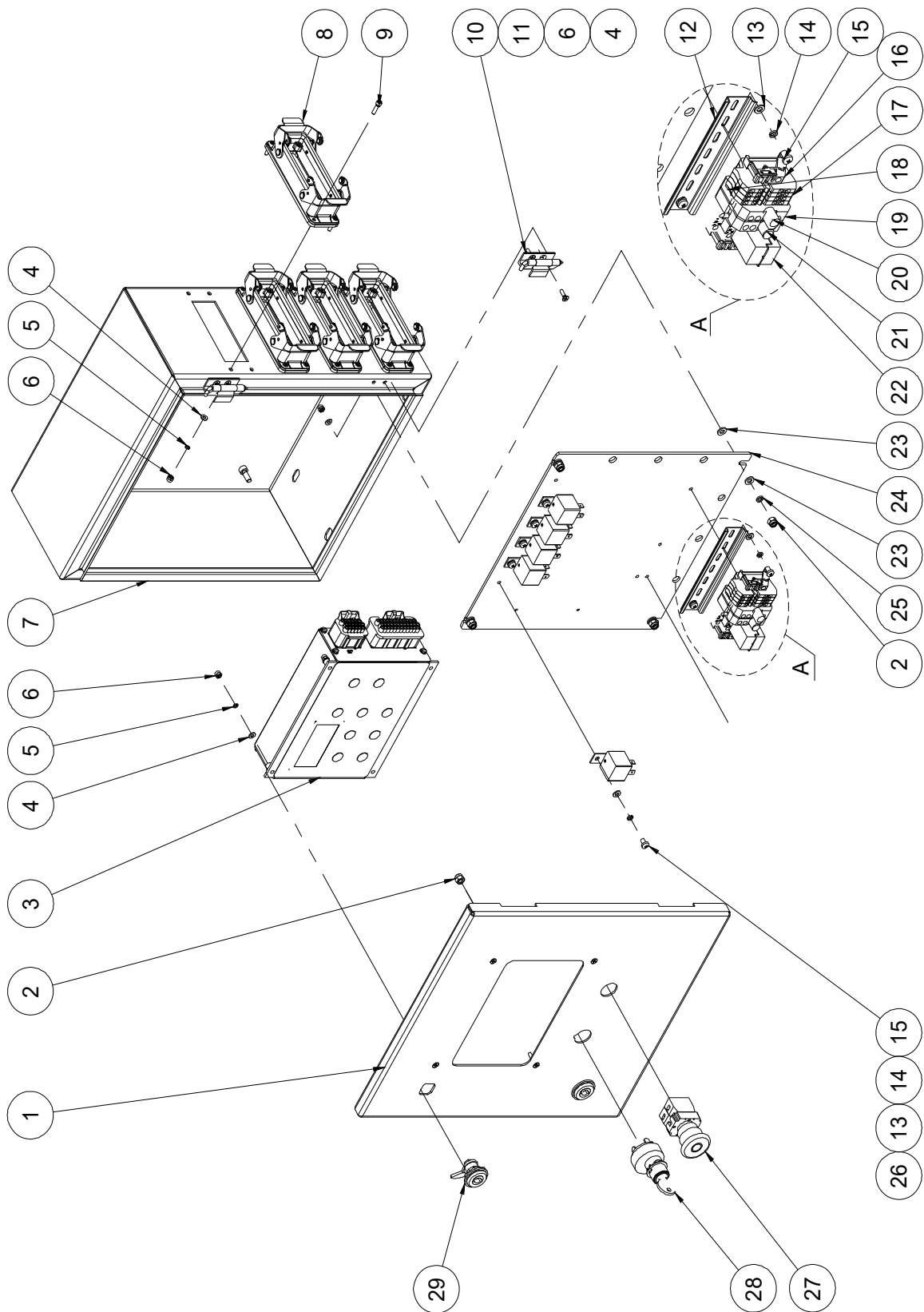
113.1 Ground Control Installation



113.1 Ground Control Installation

Item	Part No.	Description	Qty.
1		Ground control box assembly (refer to 114.1)	1
2	00000993	Bolt GB/T 5783 M8×25	6
3	00000608	Washer GB/T 97.1 8	12
4	00000609	Washer GB/T 93 8	4
5	00001163	Nut GB/T 6182 M8	6
6	00000620	Washer GB/T 97.1 6	4
7	00000621	Washer GB/T 93 6	4
8	00000743	Bolt GB/T 5783 M6×20	4
9	10005205	Cover	1
10	10013765	Ground control box support	1
11	10009589	Bracket	1

114.1 Ground Control Box Assembly



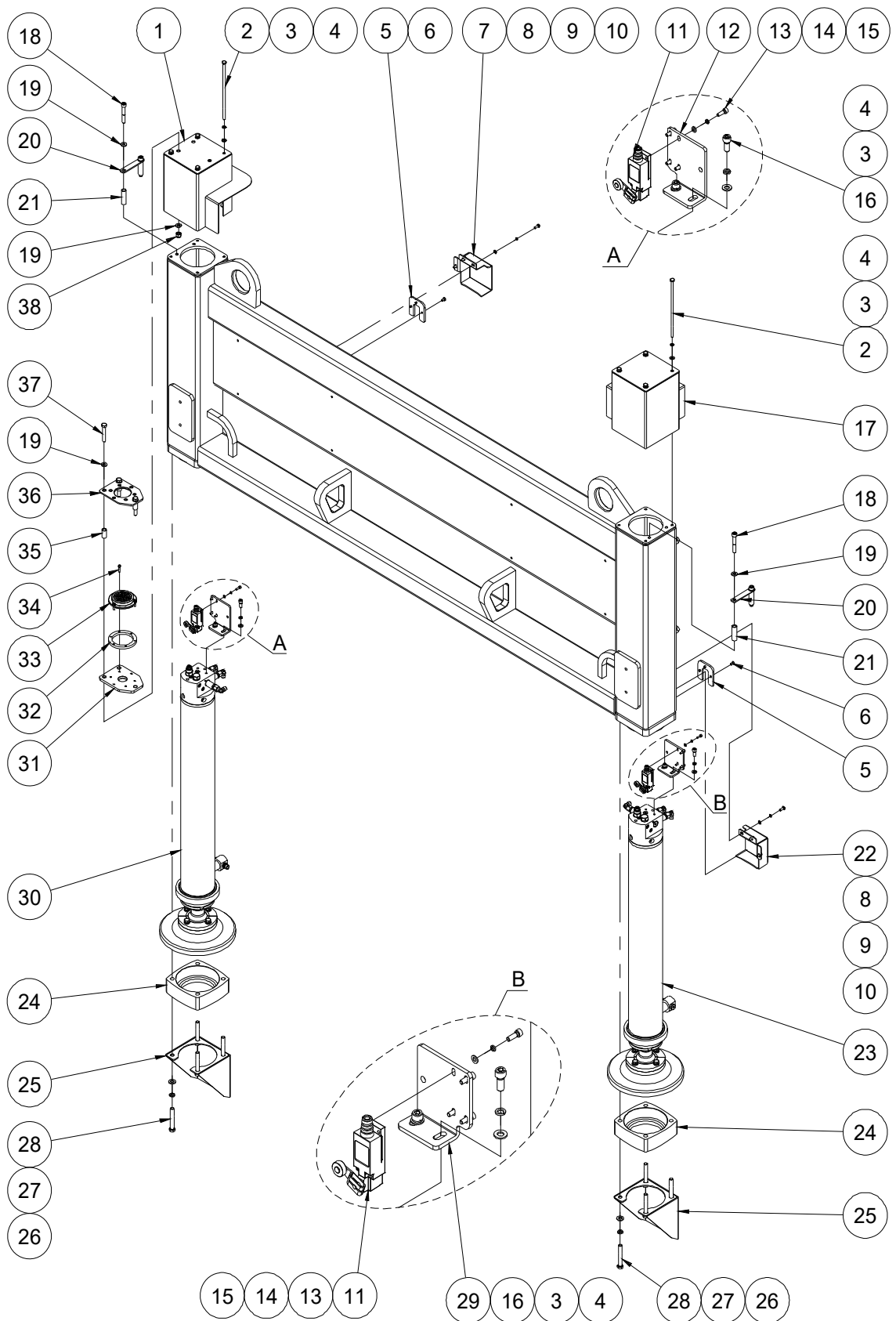
114.1 Ground Control Box Assembly

Item	Part No.	Description	Qty.
1	10016383	Ground control box cover	1
2	00000742	Nut GB/T 889.1 M6	6
3	00007940	Controller	1
4	00000778	Washer GB/T 97.1 4	24
5	00000779	Washer GB/T 93 4	20
6	00001236	Nut GB/T 889.1 M4	24
7	10013771	Ground control box weldment	1
8	00000732	Housing	4
9	00000604	Screw GB/T 70.1 M4×16	16
10	50000217	Hinge	2
11	00005259	Screw GB/T 819 M4×14 - H	4
12	10004977	Terminal rail	1
13	00000605	Washer GB/T 97.1 5	7
14	00000606	Washer GB/T 93 5	7
15	00002391	Screw GB/T 818 M5×8 - H	7
16	00000660	End, Fixation	2
17	00000659	End, Straight	4
18	00002593	End, Plate	1
19	00000661	End, Fuse	2
20	00007804	Fuse 15A	1
21	00007757	Fuse 10A	1
22	00000647	Relay	1
23	00000620	Washer GB/T 97.1 6	8
24	10013770	Mounting plate	1
25	00000621	Washer GB/T 93 6	4
26	00002206	Relay	5
27	00000923	Emergency stop switch	1
--	00000754	Red mushroom head	1
--	00000752	Base with 1 NC contact	1

114.1 Ground Control Box Assembly

Item	Part No.	Description	Qty.
--	00001245	NC contact	1
28	00001243	Key switch (key removable in off position)	1
	00003356	Key switch (key removable in all position)	1
--	00003050	Key	1
29	00001296	Latch, Column	2

115.1 Outriggers Assembly



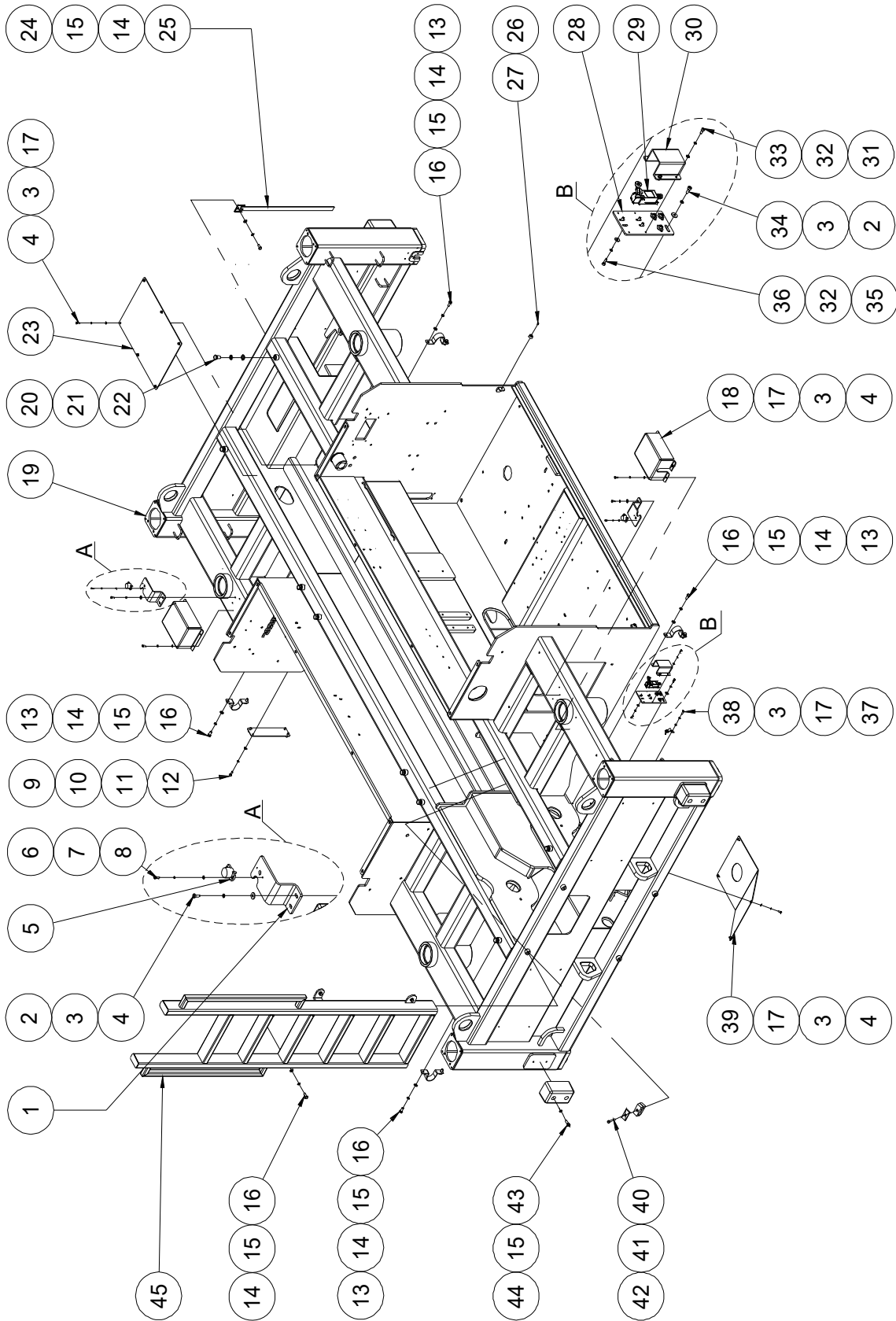
115.1 Outriggers Assembly

Item	Part No.	Description	Qty.
1	10010981	Outrigger cover (without bubble level)	1
	10012159	Outrigger cover (with bubble level)	1
2	00007660	Bolt GB/T 5782 M8×220	8
3	00000609	Washer GB/T 93 8	12
4	00000608	Washer GB/T 97.1 8	12
5	10010273	Rubber block	2
6	00000829	Screw GB/T 70.3 M6×12	6
7	10021581	Cover	1
8	00000818	Bolt GB/T 5783 M6×16	6
9	00000621	Washer GB/T 93 6	6
10	00000620	Washer GB/T 97.1 6	6
11	00000748	Limit switch	2
12	10010155	Switch bracket	1
13	00001246	Screw GB/T 70.1 M5×16	8
14	00000606	Washer GB/T 93 5	8
15	00000605	Washer GB/T 97.1 5	8
16	00001061	Screw GB/T 70.1 M8×20	4
17	10010981	Outrigger cover	1
18	00002563	Screw GB/T 70.1 M10×65	4
19	00000615	Washer GB/T 97.1 10	10
20	10010158	Signal plate	2
21	10010173	Spacer sleeve	4
22	10021582	Cover	1
23		Left outrigger cylinder assembly (without seal kit) (refer to 402.1)	1
24	10010132	Outrigger seat	2
25	10012523	Outrigger support frame	2
26	00000814	Washer GB/T 97.1 12	8
27	00000815	Washer GB/T 93 12	8

115.1 Outriggers Assembly

Item	Part No.	Description	Qty.
28	00002527	Bolt GB/T 5782 M12×80	8
29	10010157	Switch bracket	1
30		Right outrigger cylinder assembly (without seal kit) (refer to 403.1)	1
31	10012155	Bubble level mount plate (option)	1
32	10004271	Rubber pad (option)	1
33	10004259	Bubble level (option)	1
34	00000817	Screw GB/T 70.1 M5×20 (option)	3
35	10012156	Spacer sleeve (option)	3
36	10012157	Bubble level cover (option)	1
37	00002508	Bolt GB/T 5783 M10×60 (option)	3
38	00000623	Nut GB/T 6182 M10 (option)	3

116.1 Ladder and Chassis Accessory Installation



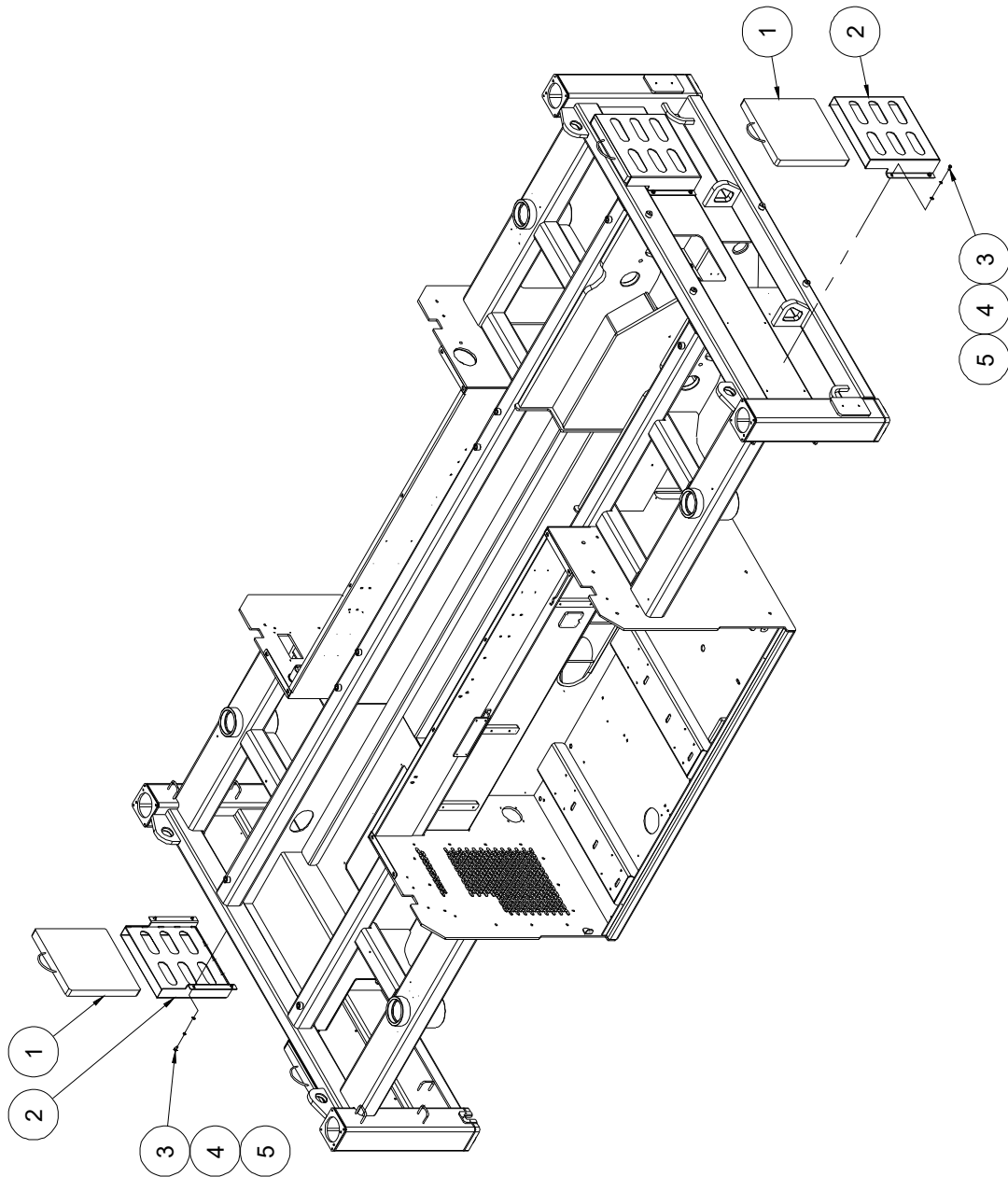
116.1 Ladder and Chassis Accessory Installation

Item	Part No.	Description	Qty.
1	10010960	Sensor bracket	2
2	00002583	Washer GB/T 96.1 6	7
3	00000621	Washer GB/T 93 6	24
4	00000818	Bolt GB/T 5783 M6×16	18
5	00000644	Rotary sensor	2
6	00000778	Washer GB/T 97.1 4	3
7	00000779	Washer GB/T 93 4	3
8	00001054	Screw GB/T 70.1 M4×12	3
9	10010325	Cover	1
10	00000608	Washer GB/T 97.1 8	4
11	00000609	Washer GB/T 93 8	4
12	00001061	Screw GB/T 70.1 M8×20	4
13	10014075	Clamp	4
14	00000615	Washer GB/T 97.1 10	13
15	00000679	Washer GB/T 93 10	21
16	00000678	Bolt GB/T 5783 M10×25	12
17	00000620	Washer GB/T 97.1 6	17
18	10010162	Sensor cover	2
19	10023902	Frame weldment	1
20	00000997	Washer GB/T 97.1 16	12
21	00001035	Washer GB/T 93 16	12
22	00006696	Bolt GB/T 5783 M16×25	12
23	10023981	Cover	1
24	00000674	Bolt GB/T 5783 M10×20	1
25	00000669	Ground strap	1
26	10000376	Bumper	4
27	00002026	Screw GB/T 818 M4×10 - H	4
28	10023988	Switch bracket	1
29	00000748	Limit switch	1

116.1 Ladder and Chassis Accessory Installation

Item	Part No.	Description	Qty.
30	10011485	Switch cover	1
31	00000605	Washer GB/T 97.1 5	4
32	00000606	Washer GB/T 93 5	8
33	00001252	Screw GB/T 70.1 M5×12	4
34	00000876	Screw GB/T 70.1 M6×16	4
35	00003545	Washer GB/T 96.1 5	4
36	00001246	Screw GB/T 70.1 M5×16	4
37	00002727	Clamp 16 JB/ZQ 4492-1997	1
38	00000743	Bolt GB/T 5783 M6×20	2
39	10023979	Cover	1
40	00001985	Bolt GB/T 5782 M8×55	1
41	00000317	Base plate	1
42	00000316	Hose clamp	1
43	00001059	Screw GB/T 70.1 M10×30	8
44	10010171	Bumper	4
45	10018785	Ladder	1

117.1 Outrigger Plate (Option)

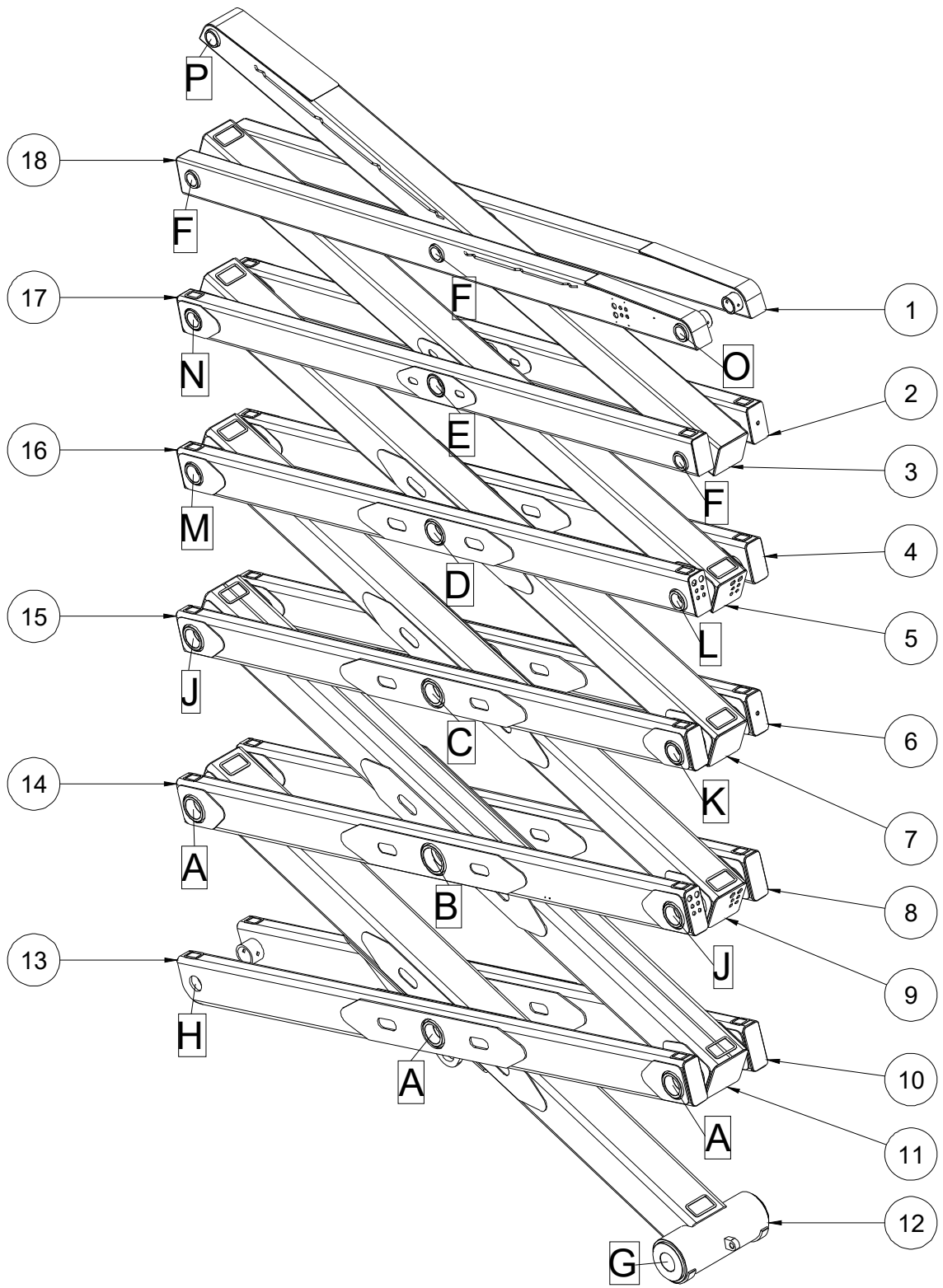


117.1 Outrigger Plate (Option)

Item	Part No.	Description	Qty.
1	10018531	Outrigger plate	4
2	10018534	Plate box weldment	4
3	00001063	Bolt GB/T 5783 M8×16	16
4	00000609	Washer GB/T 93 8	16
5	00000608	Washer GB/T 97.1 8	16

Section 2 Scissor

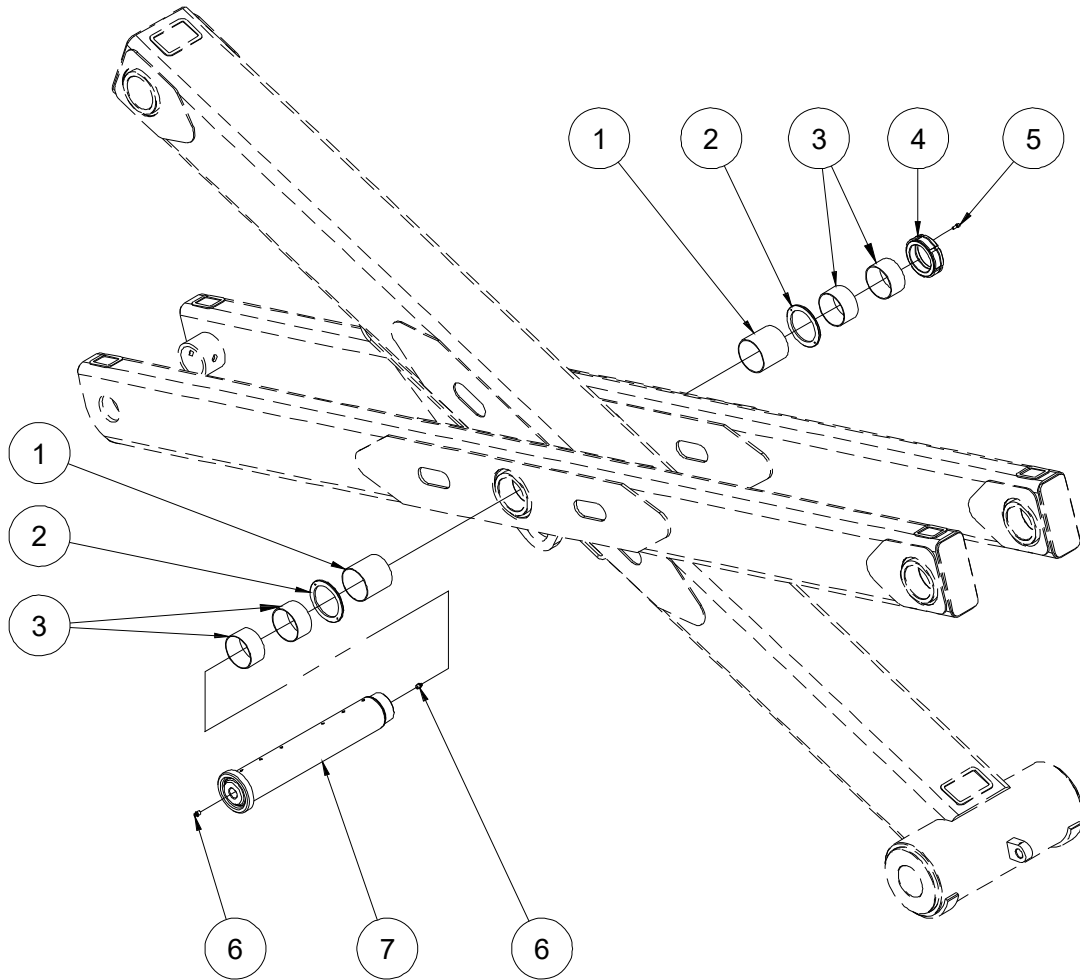
201.1 Scissor Arms Installation



201.1 Scissor Arms Installation

Item	Part No.	Description	Qty.
1	10023859	Outer arm 6, right	1
2	10023899	Outer arm 5, right	1
3	10023855	Inner arm 6	1
4	10023850	Outer arm 4, right	1
5	10023851	Inner arm 5	1
6	10023845	Outer arm 3, right	1
7	10023846	Inner arm 4	1
8	10023833	Outer arm 2, right	1
9	10023835	Inner arm 3	1
10	10023819	Outer arm 1, right	1
11	10024503	Inner arm 2	1
12	10023801	Inner arm 1	1
13	10023813	Outer arm 1, left	1
14	10023827	Outer arm 2, left	1
15	10023843	Outer arm 3, left	1
16	10023848	Outer arm 4, left	1
17	10023853	Outer arm 5, left	1
18	10023857	Outer arm 6, left	1

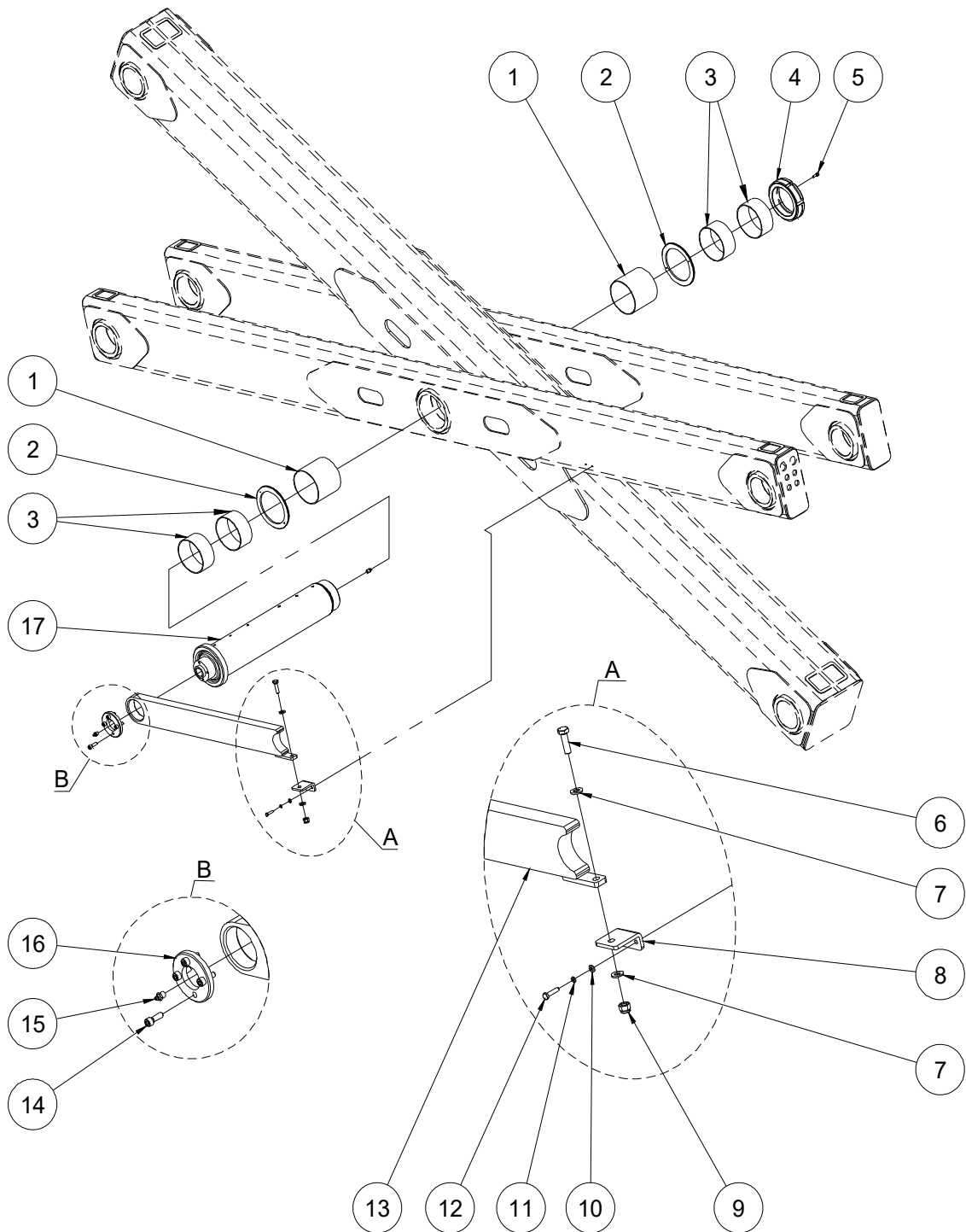
202.1 Scissor Arm pin joint A



202.1 Scissor Arm pin joint A

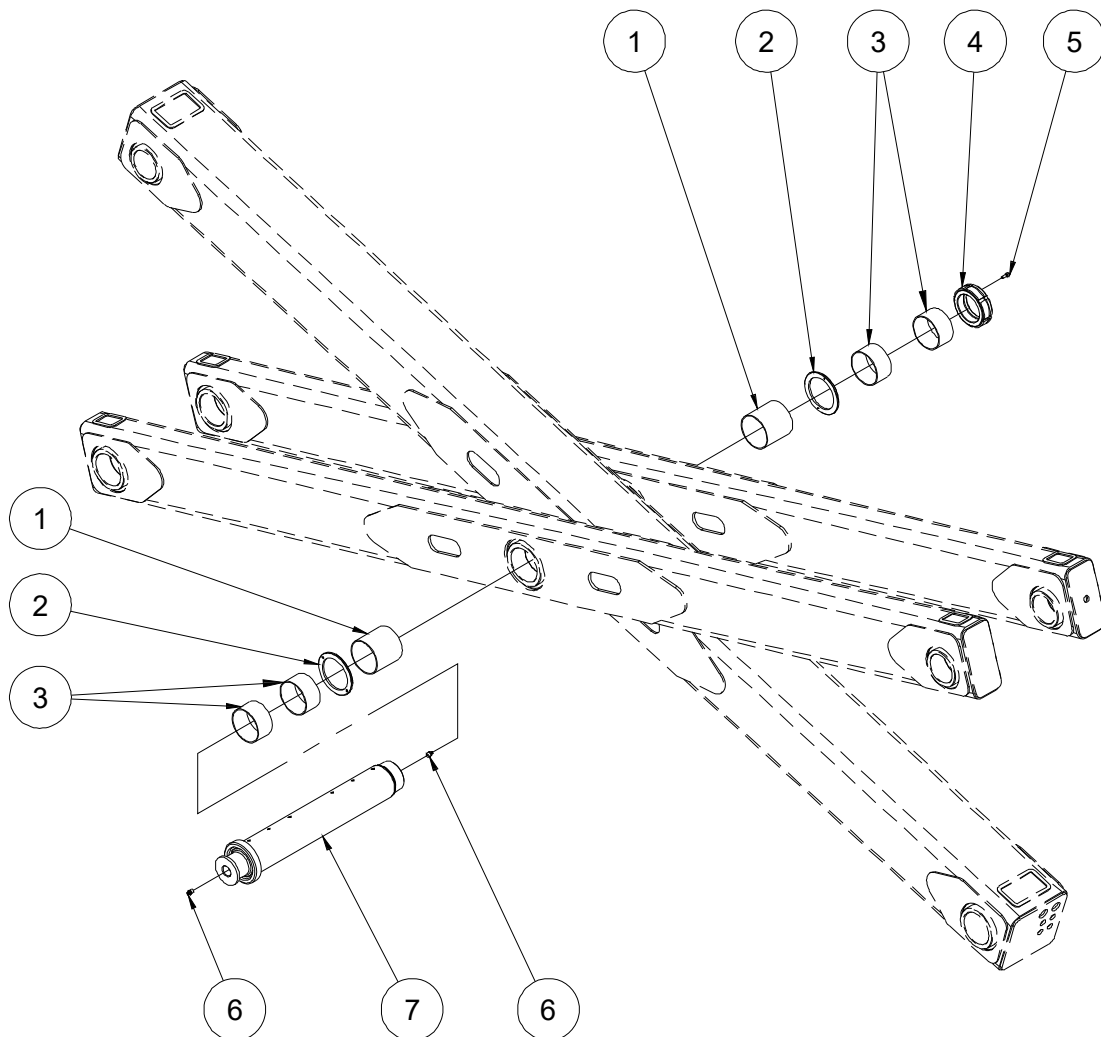
Item	Part No.	Description	Qty.
1	00006140	8812-909590A Bearing	2
2	10009382	Washer 90	2
3	00010052	8812-909550A Bearing	4
4	10017506	Nut M80	1
5	00000876	Screw GB/T 70.1 M6×16	4
6	00004483	Grease nipple GB/T 1152 M10×1	2
7	10023886	Pin 90-1	1

203.1 Scissor Arm pin joint B



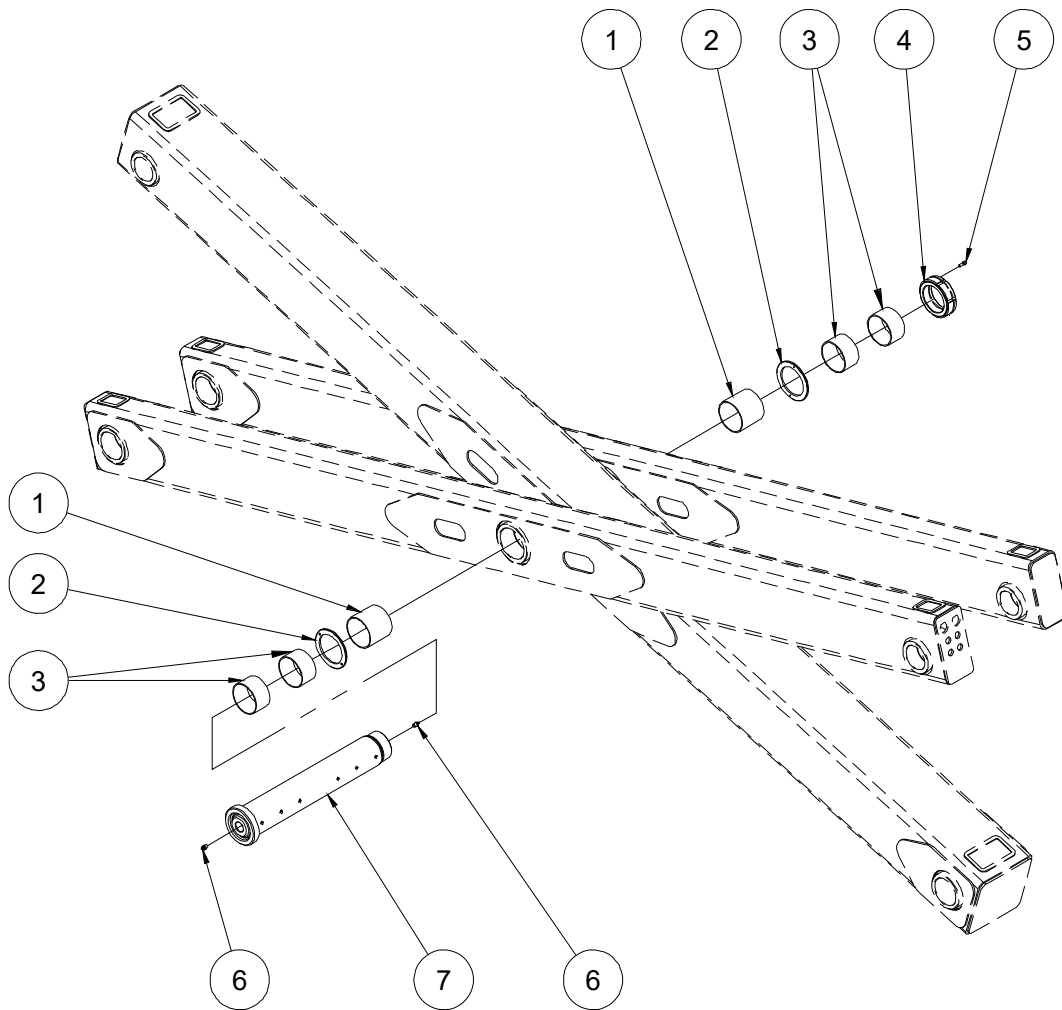
203.1 Scissor Arm pin joint B

Item	Part No.	Description	Qty.
1	00007872	8812-110115100A Bearing	2
2	10016087	Washer 110	2
3	00010053	8812-11011550A Bearing	4
4	10017509	Nut M100	1
5	00000876	Screw GB/T 70.1 M6×16	6
6	00000684	Bolt GB/T 5783 M10×35	1
7	00000615	Washer GB/T 97.1 10	2
8	10022598	Bracket	1
9	00000623	Nut GB/T 6182 M10	1
10	00000620	Washer GB/T 97.1 6	2
11	00000621	Washer GB/T 93 6	2
12	00000619	Bolt GB/T 5783 M6×25	2
13	10023145	Safety arm	1
14	00002555	Screw GB/T 70.1 M8×25	4
15	00004483	Grease nipple GB/T 1152 M10×1	2
16	10022092	Safety arm retainer	1
17	10023891	Pin 110	1

204.1 Scissor Arm pin joint C**204.1 Scissor Arm pin joint C**

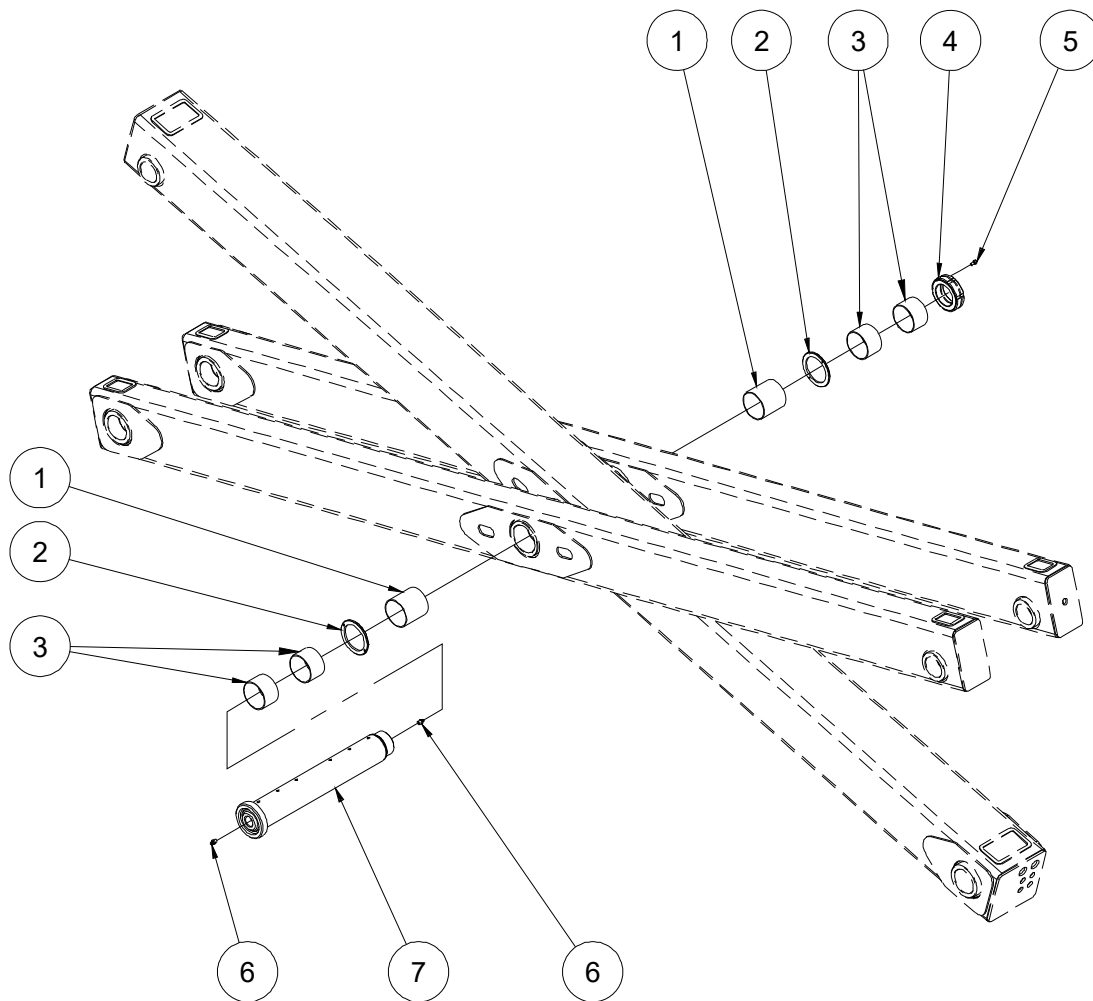
Item	Part No.	Description	Qty.
1	00006145	8812-10010590A Bearing	2
2	10009383	Washer 100	2
3	00006150	8812-10010560A Bearing	4
4	10017505	Nut M90	1
5	00000876	Screw GB/T 70.1 M6×16	4
6	00004483	Grease nipple GB/T 1152 M10×1	2
7	10009380	Pin 100	1

205.1 Scissor Arm pin joint D



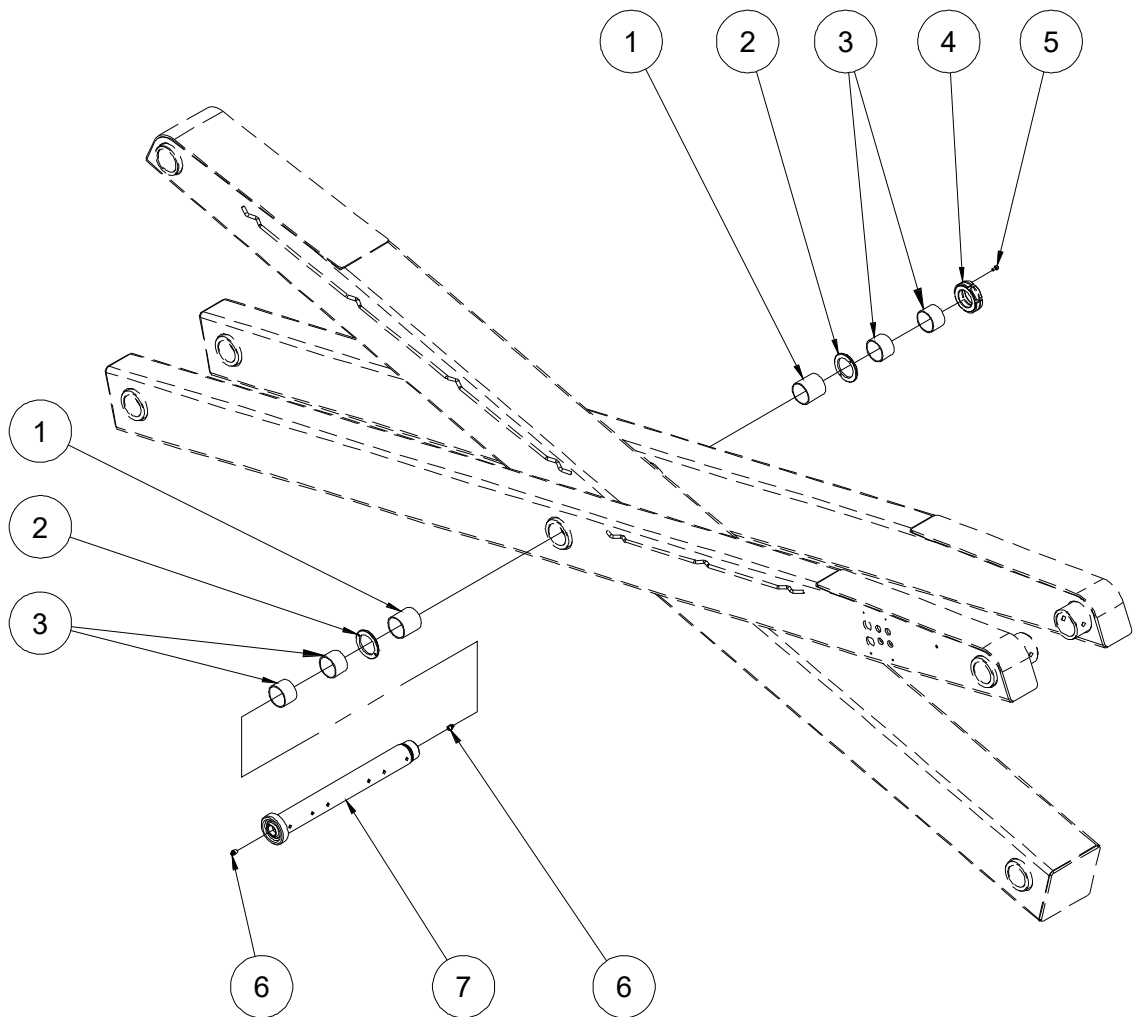
205.1 Scissor Arm pin joint D

Item	Part No.	Description	Qty.
1	00009685	8812-859080A Bearing	2
2	10022454	Washer 85	2
3	00009686	8812-859050A Bearing	4
4	10017506	Nut M80	1
5	00000876	Screw GB/T 70.1 M6×16	4
6	00004483	Grease nipple GB/T 1152 M10×1	2
7	10023633	Pin 85	1

206.1 Scissor Arm pin joint E**206.1 Scissor Arm pin joint E**

Item	Part No.	Description	Qty.
1	00006144	8812-758080A Bearing	2
2	10009374	Washer 75	2
3	00009688	8812-758050A Bearing	4
4	10017507	Nut M64	1
5	00002029	Screw GB/T 70.1 M6×12	4
6	00004483	Grease nipple GB/T 1152 M10×1	2
7	10022086	Pin 75	1

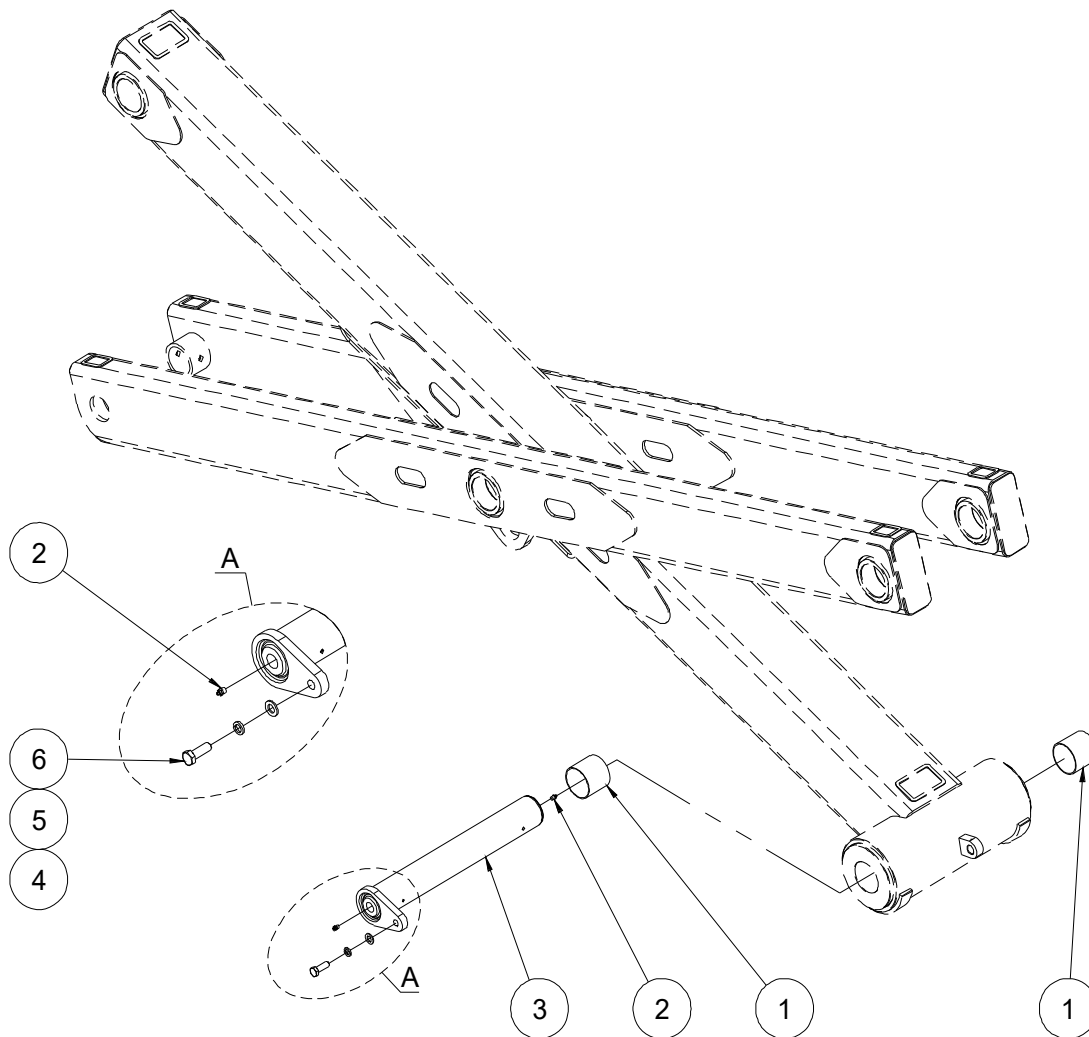
207.1 Scissor Arm pin joint F



207.1 Scissor Arm pin joint F

Item	Part No.	Description	Qty.
1	00009691	8812-556060A Bearing	2
2	10022456	Washer 55	2
3	00009692	8812-556040A Bearing	4
4	10022442	Nut M50	1
5	00002029	Screw GB/T 70.1 M6×12	4
6	00004483	Grease nipple GB/T 1152 M10×1	2
7	10022097	Pin 55	1

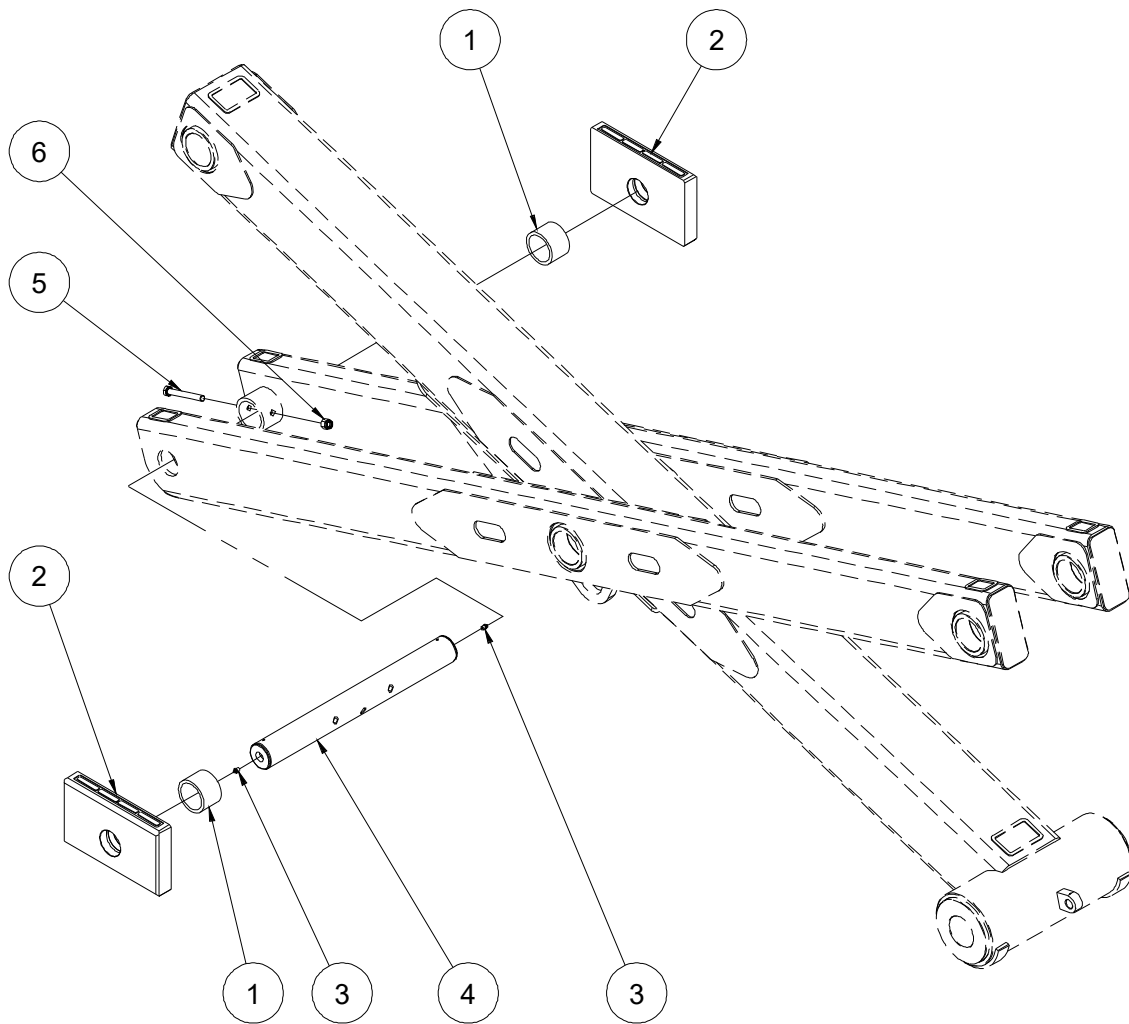
208.1 Scissor Arm pin joint G



208.1 Scissor Arm pin joint G

Item	Part No.	Description	Qty.
1	00009685	8812-859080A Bearing	2
2	00004483	Grease nipple GB/T 1152 M10×1	2
3	10023879	Pin	1
4	00000997	Washer GB/T 97.1 16	1
5	00001035	Washer GB/T 93 16	1
6	00001057	Bolt GB/T 5783 M16×45	1

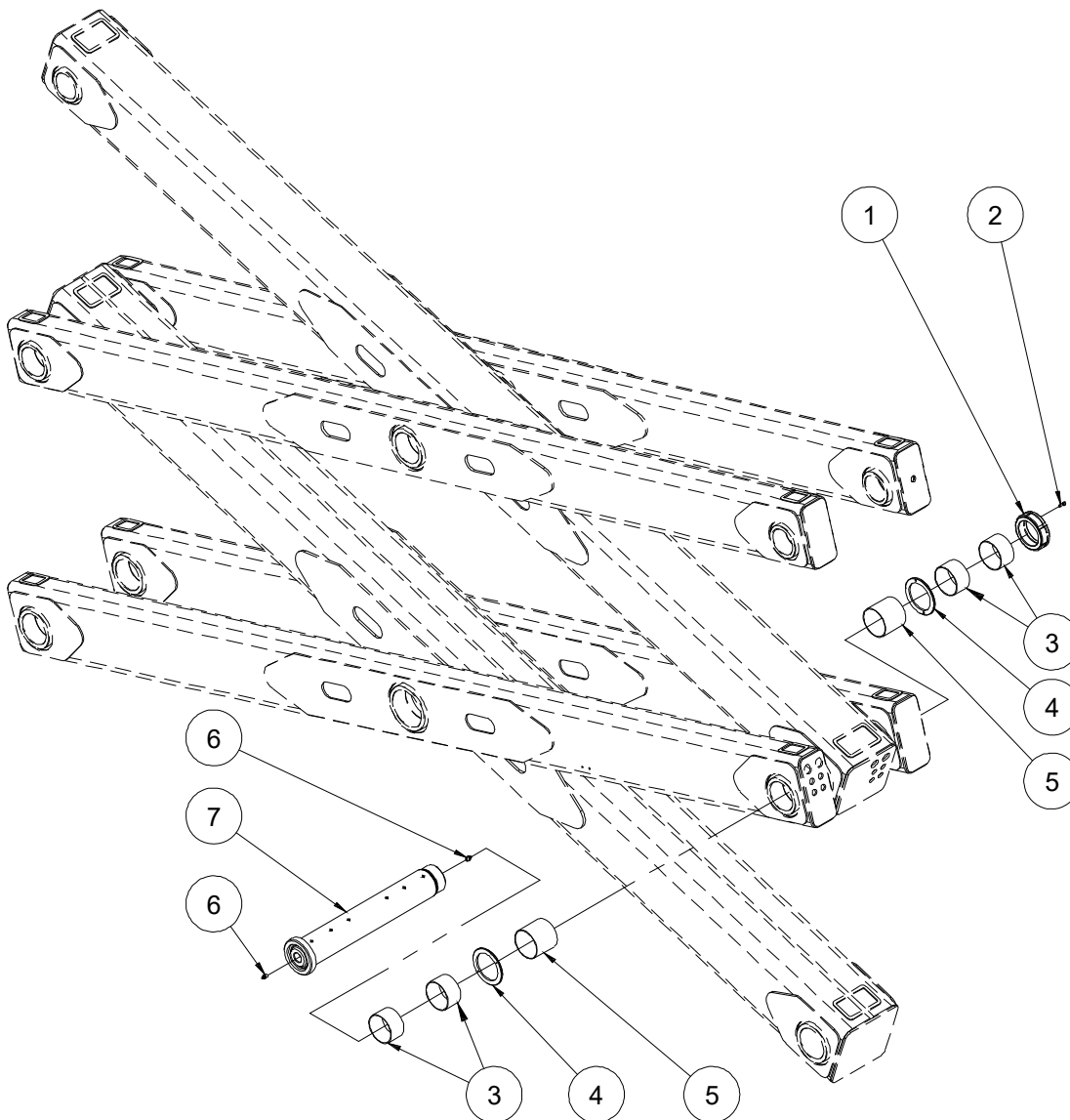
209.1 Scissor Arm pin joint H



209.1 Scissor Arm pin joint H

Item	Part No.	Description	Qty.
1	10023876	Spacer sleeve	2
2	10023878	Chassis slider	2
3	00004483	Grease nipple GB/T 1152 M10×1	2
4	10023877	Pin	1
5	00001109	Bolt GB/T 5782 M16×130	2
6	00001257	Nut GB/T 6182 M16	2

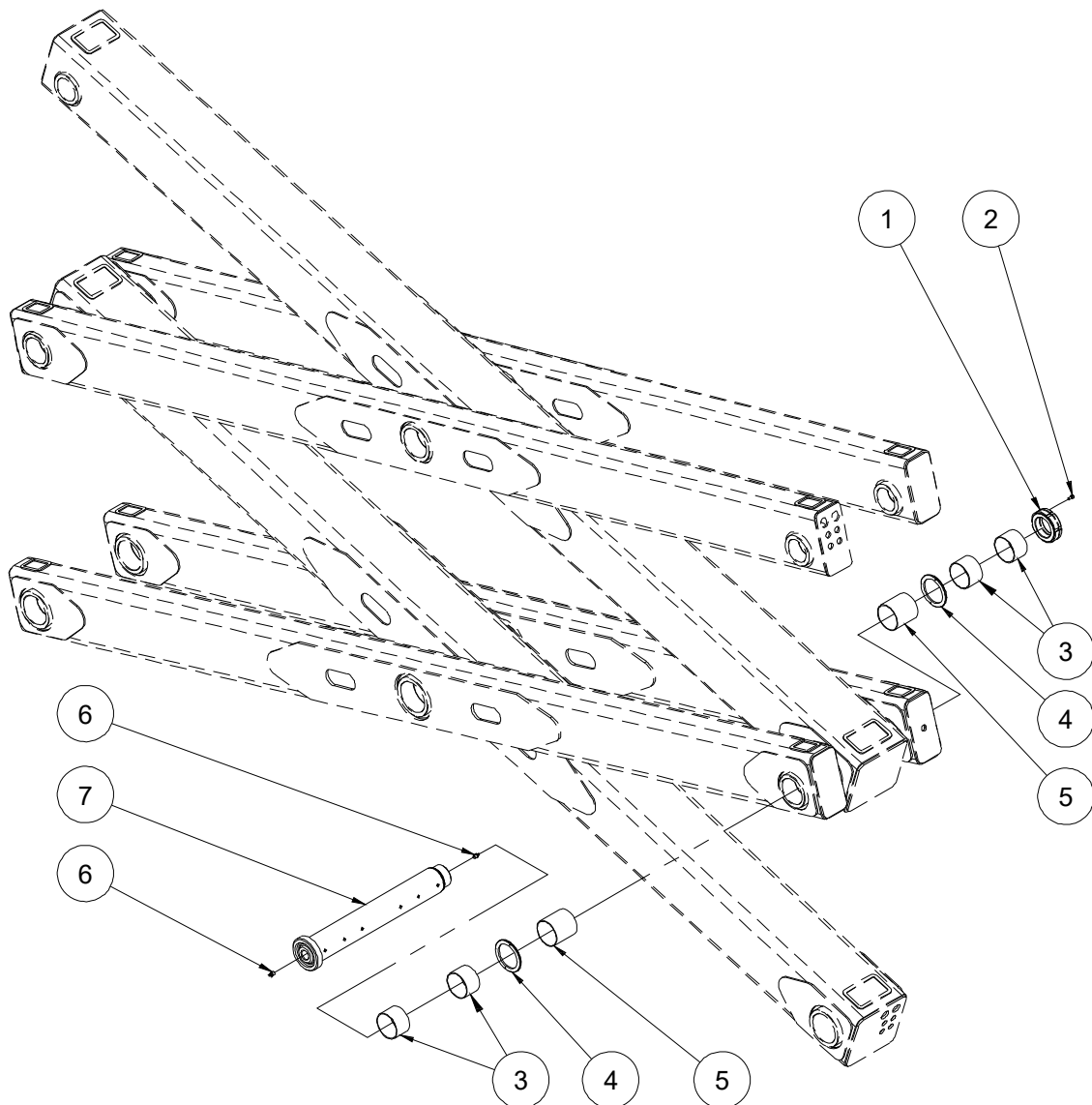
210.1 Scissor Arm pin joint J



210.1 Scissor Arm pin joint J

Item	Part No.	Description	Qty.
1	10017506	Nut M80	1
2	00000876	Screw GB/T 70.1 M6×16	4
3	00009686	8812-859050A Bearing	4
4	10022454	Washer 85	2
5	00009685	8812-859080A Bearing	2
6	00004483	Grease nipple GB/T 1152 M10×1	2
7	10023888	Pin 85-1	1

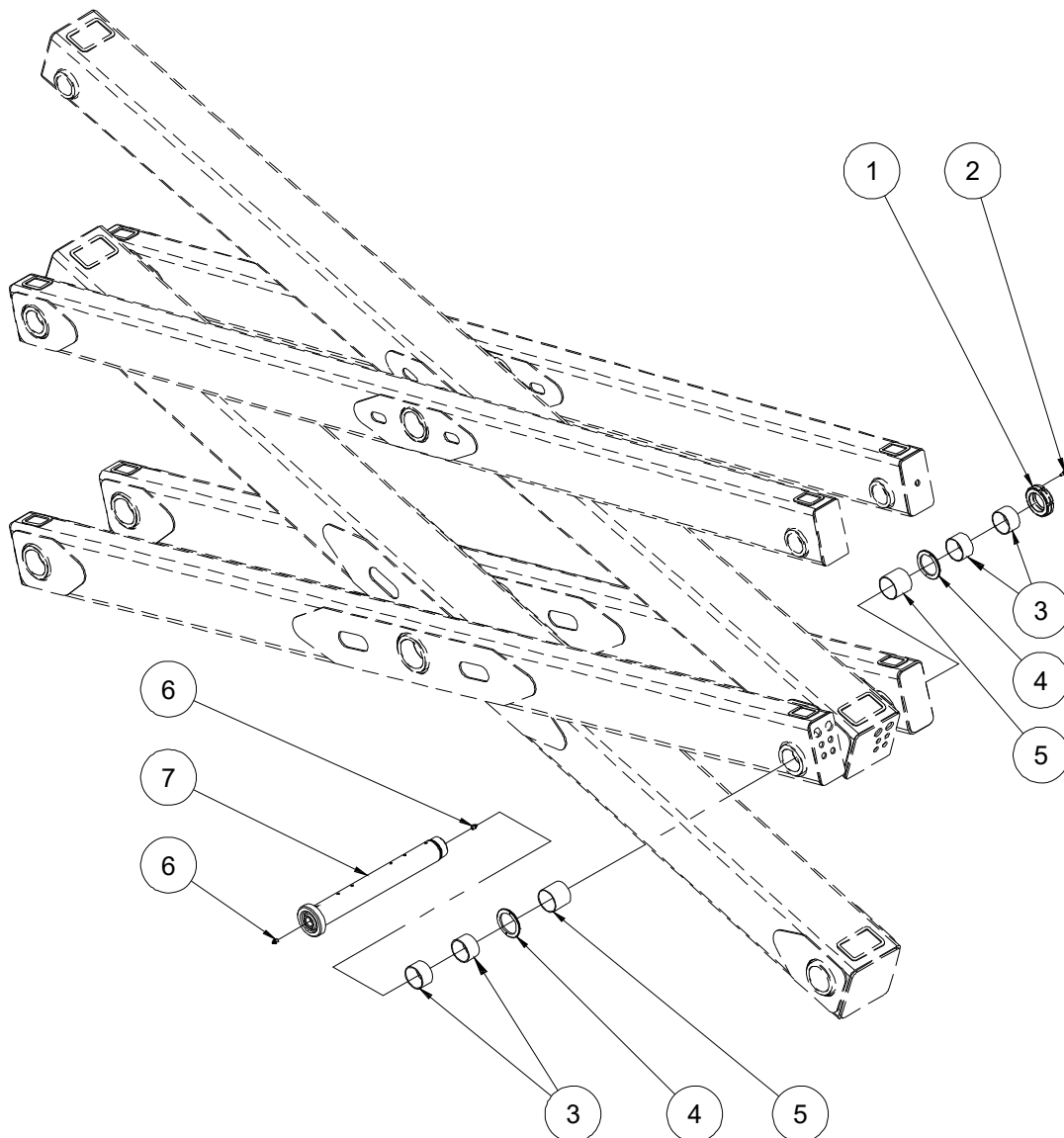
211.1 Scissor Arm pin joint K



211.1 Scissor Arm pin joint K

Item	Part No.	Description	Qty.
1	10017507	Nut M64	1
2	00002029	Screw GB/T 70.1 M6×12	4
3	00009688	8812-758050A Bearing	4
4	10009374	Washer 75	2
5	00006144	8812-758080A Bearing	2
6	00004483	Grease nipple GB/T 1152 M10×1	2
7	10023637	Pin 75-3	1

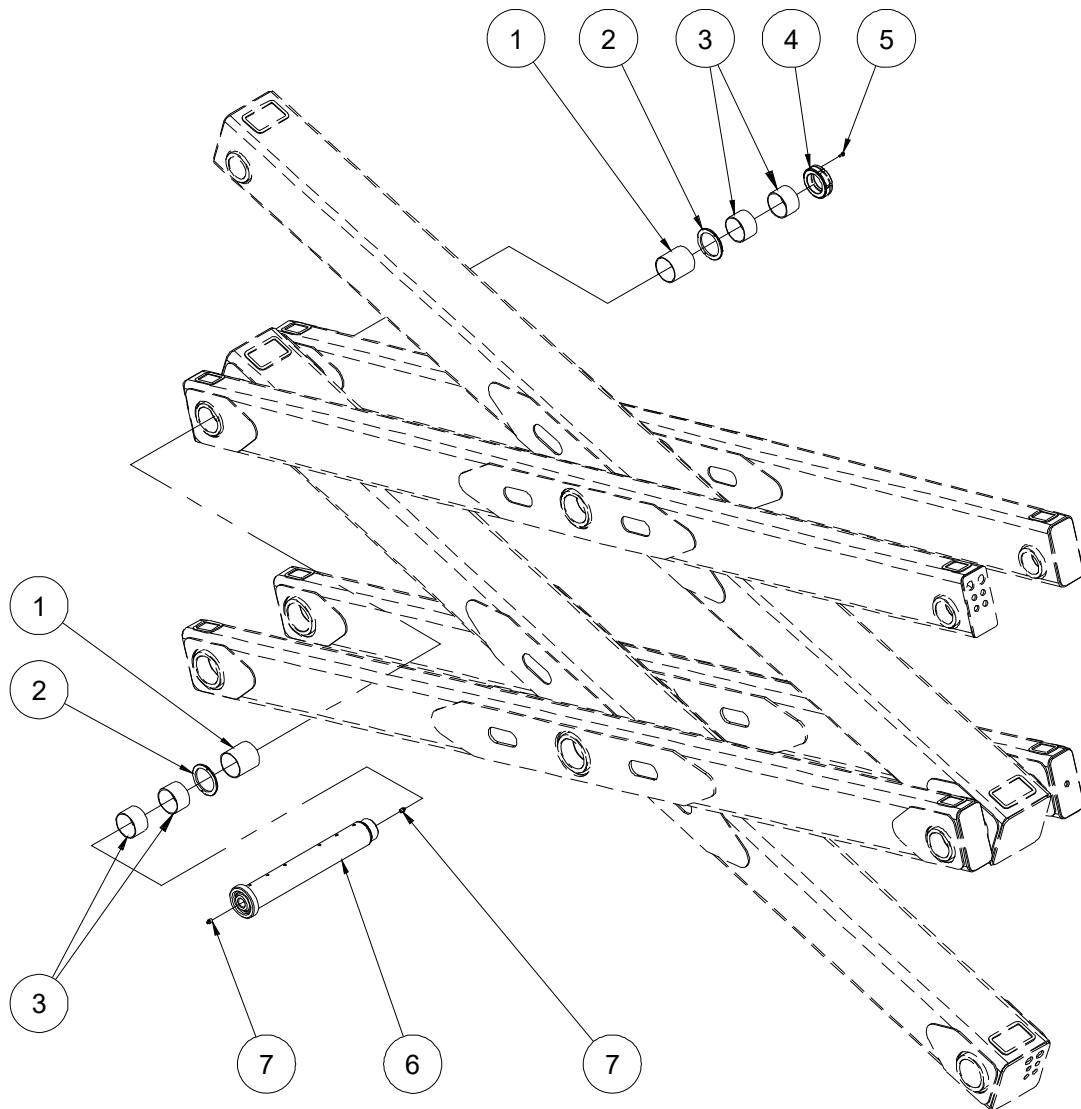
212.1 Scissor Arm pin joint L



212.1 Scissor Arm pin joint L

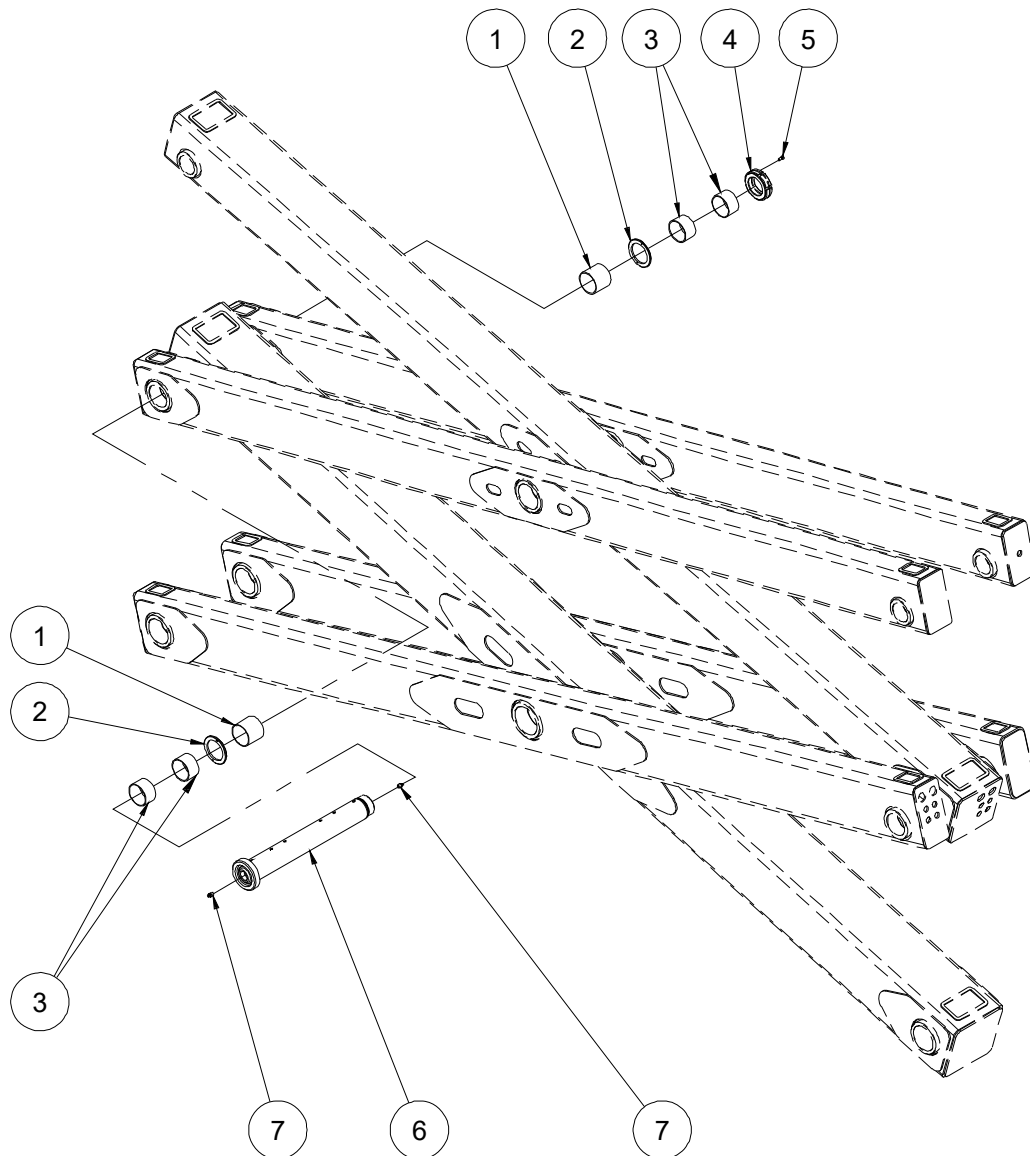
Item	Part No.	Description	Qty.
1	10022440	Nut M60	1
2	00002029	Screw GB/T 70.1 M6×12	4
3	00009690	8812-657040A Bearing	4
4	10022455	Washer 65	2
5	00009689	8812-657060A Bearing	2
6	00004483	Grease nipple GB/T 1152 M10×1	2
7	10023639	Pin 65-1	1

213.1 Scissor Arm pin joint M



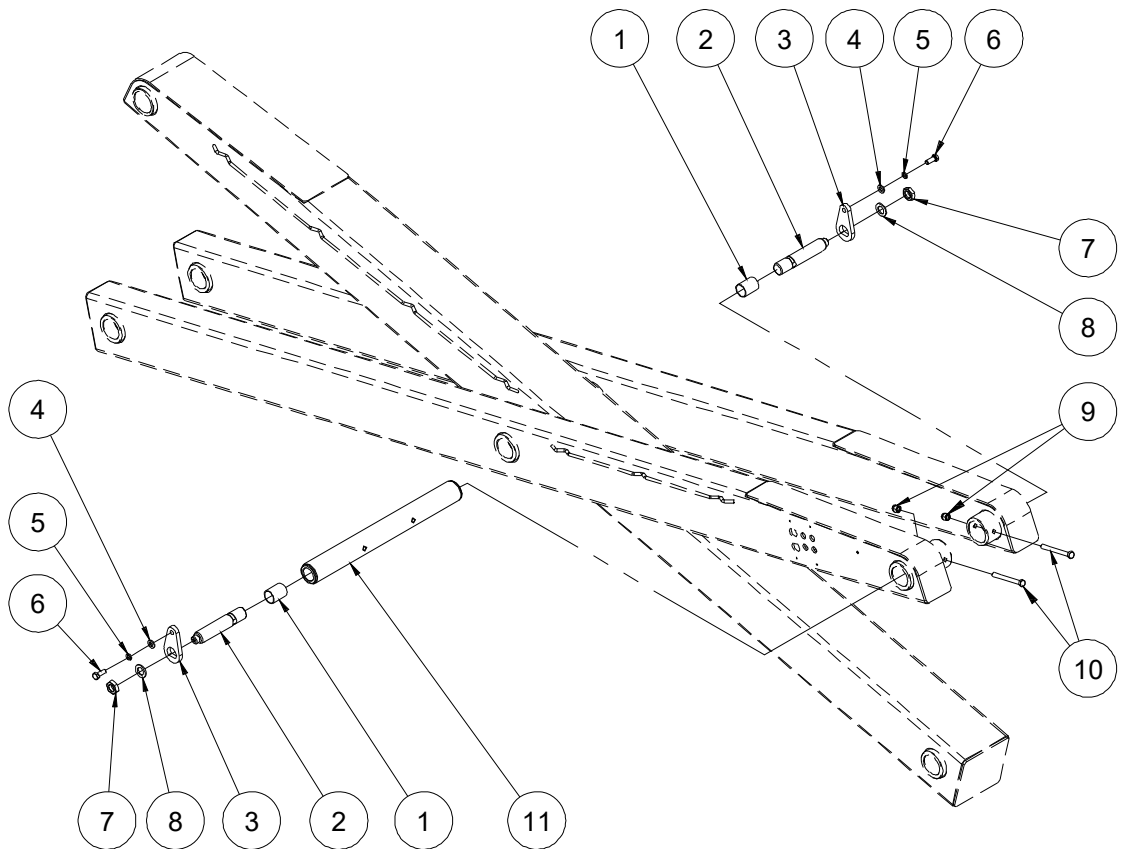
213.1 Scissor Arm pin joint M

Item	Part No.	Description	Qty.
1	00006144	8812-758080A Bearing	2
2	10009374	Washer 75	2
3	00009688	8812-758050A Bearing	4
4	10017507	Nut M64	1
5	00002029	Screw GB/T 70.1 M6x12	4
6	10023635	Pin 75-2	1
7	00004483	Grease nipple GB/T 1152 M10x1	2

214.1 Scissor Arm pin joint N**214.1 Scissor Arm pin joint N**

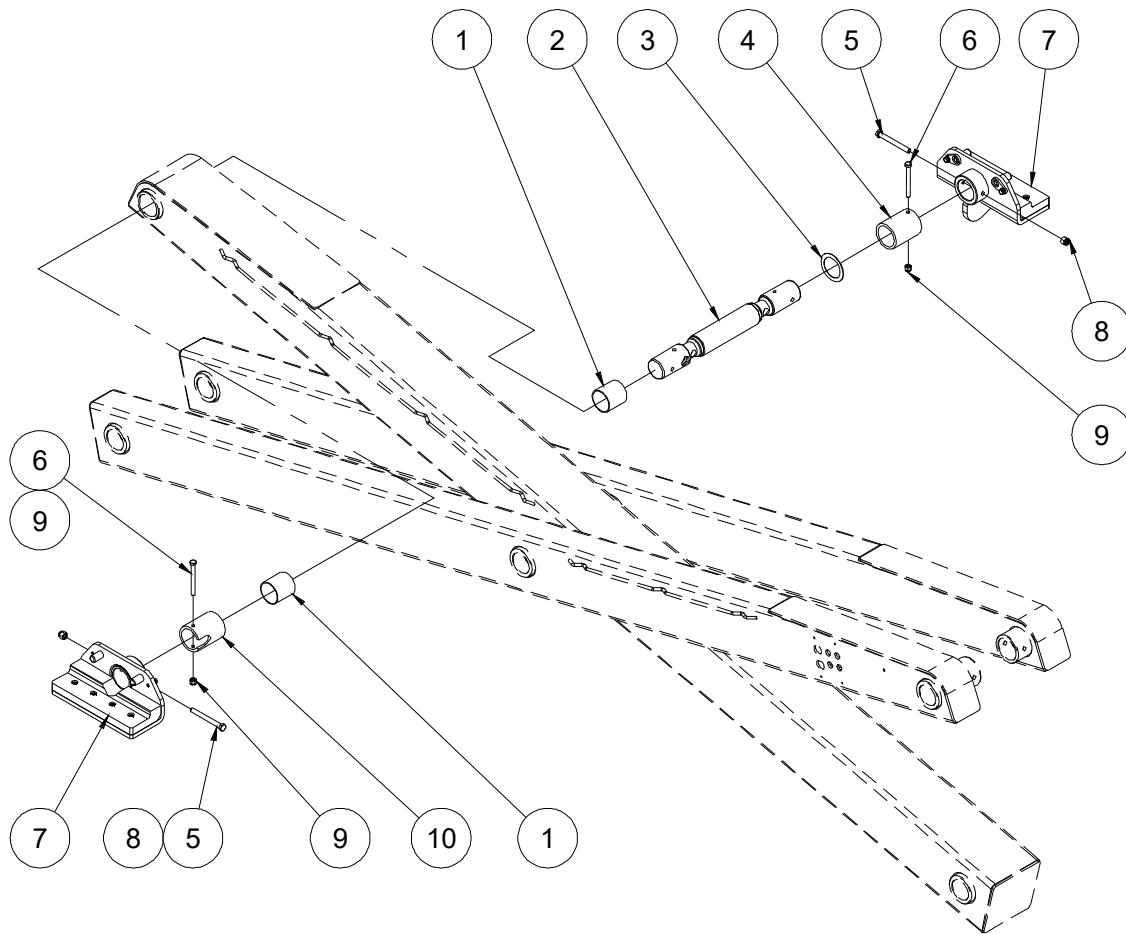
Item	Part No.	Description	Qty.
1	00009689	8812-657060A Bearing	2
2	10022455	Washer 65	2
3	00009690	8812-657040A Bearing	4
4	10022440	Nut M60	1
5	00002029	Screw GB/T 70.1 M6×12	4
6	10022094	Pin 65	1
7	00004483	Grease nipple GB/T 1152 M10×1	2

215.1 Scissor Arm pin joint O



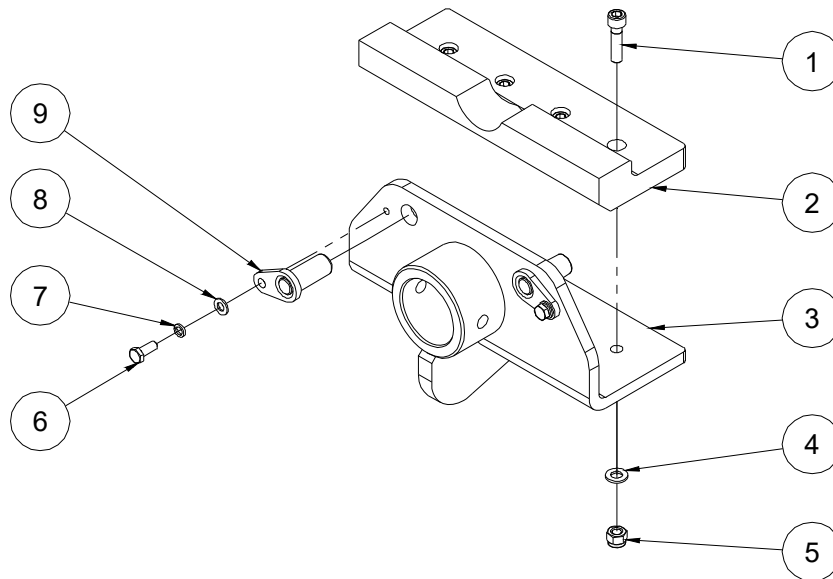
215.1 Scissor Arm pin joint O

Item	Part No.	Description	Qty.
1	0000392	8812-353950 Bearing	2
2	10023874	Pin	2
3	10023875	Pin fixing plate	2
4	00000814	Washer GB/T 97.1 12	2
5	00000815	Washer GB/T 93 12	2
6	00002059	Bolt GB/T 5783 M12×30	2
7	00001998	Nut GB/T 6173 M22x1.5	2
8	00002550	Washer GB/T 97.1 22	2
9	00001249	Nut GB/T 6182 M12	2
10	00006174	Bolt GB/T 5782 M12×110	2
11	10023873	Pin	1

216.1 Scissor Arm pin joint P**216.1 Scissor Arm pin joint P**

Item	Part No.	Description	Qty.
1	00006607	8812-606565 Bearing	2
2	10023865	Pin	1
3	10024241	Washer	1
4	10023871	Spacer sleeve	1
5	00006174	Bolt GB/T 5782 M12×110	2
6	00001040	Bolt GB/T 5782 M10×100	2
7		Platform slider assembly (refet to 217.1)	2
8	00001249	Nut GB/T 6182 M12	2
9	00000623	Nut GB/T 6182 M10	10
10	10023872	Spacer sleeve	1

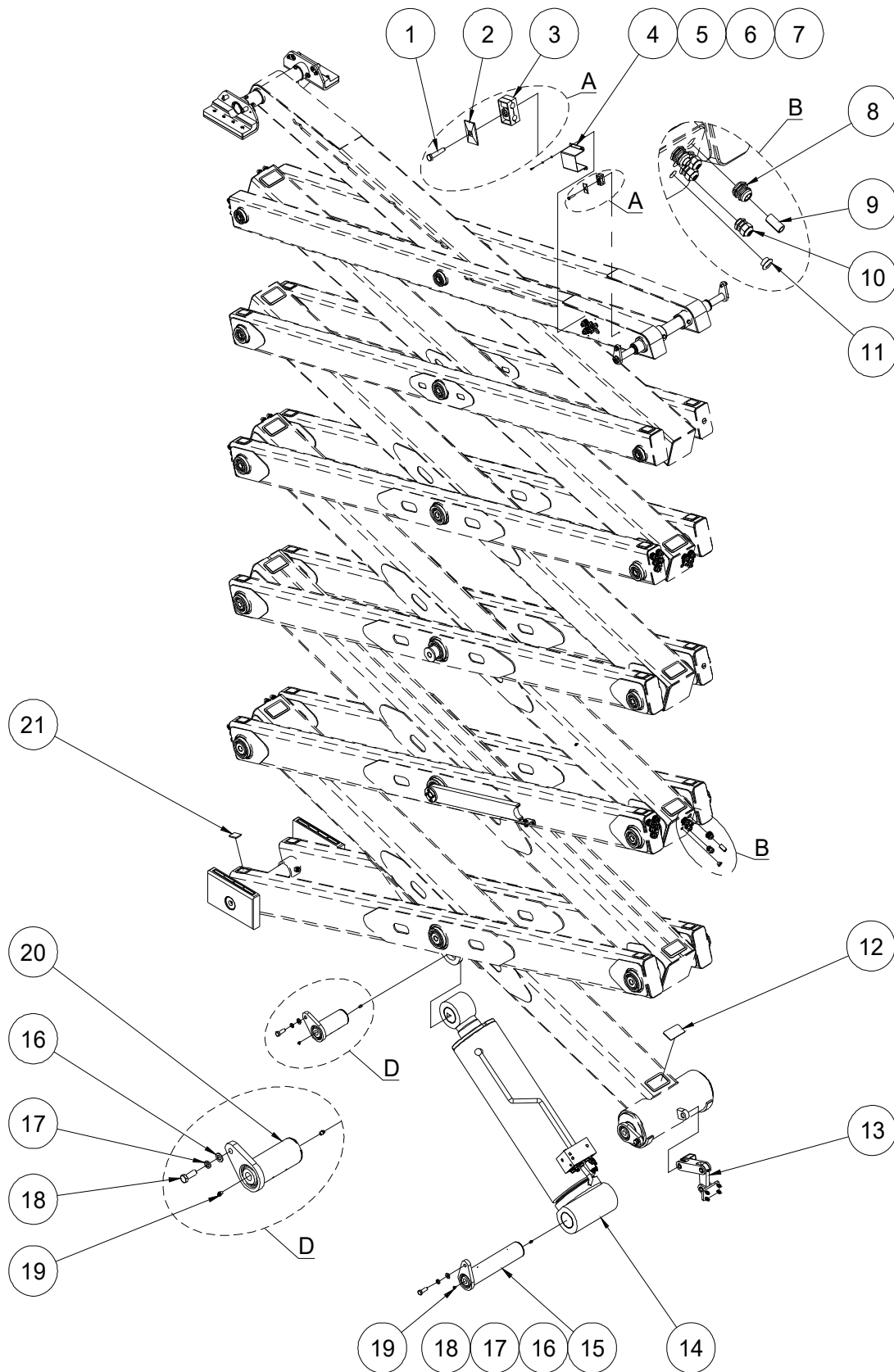
217.1 Platform Slider Assembly



217.1 Platform Slider Assembly

Item	Part No.	Description	Qty.
1	00002050	Screw GB/T 70.1 M10×40	4
2	10009349	Platform slider	1
3	10023867	Slider bracket	1
4	00000615	Washer GB/T 97.1 10	4
5	00000623	Nut GB/T 6182 M10	4
6	00000993	Bolt GB/T 5783 M8×25	2
7	00000609	Washer GB/T 93 8	2
8	00000608	Washer GB/T 97.1 8	2
9	10009353	Pin	2

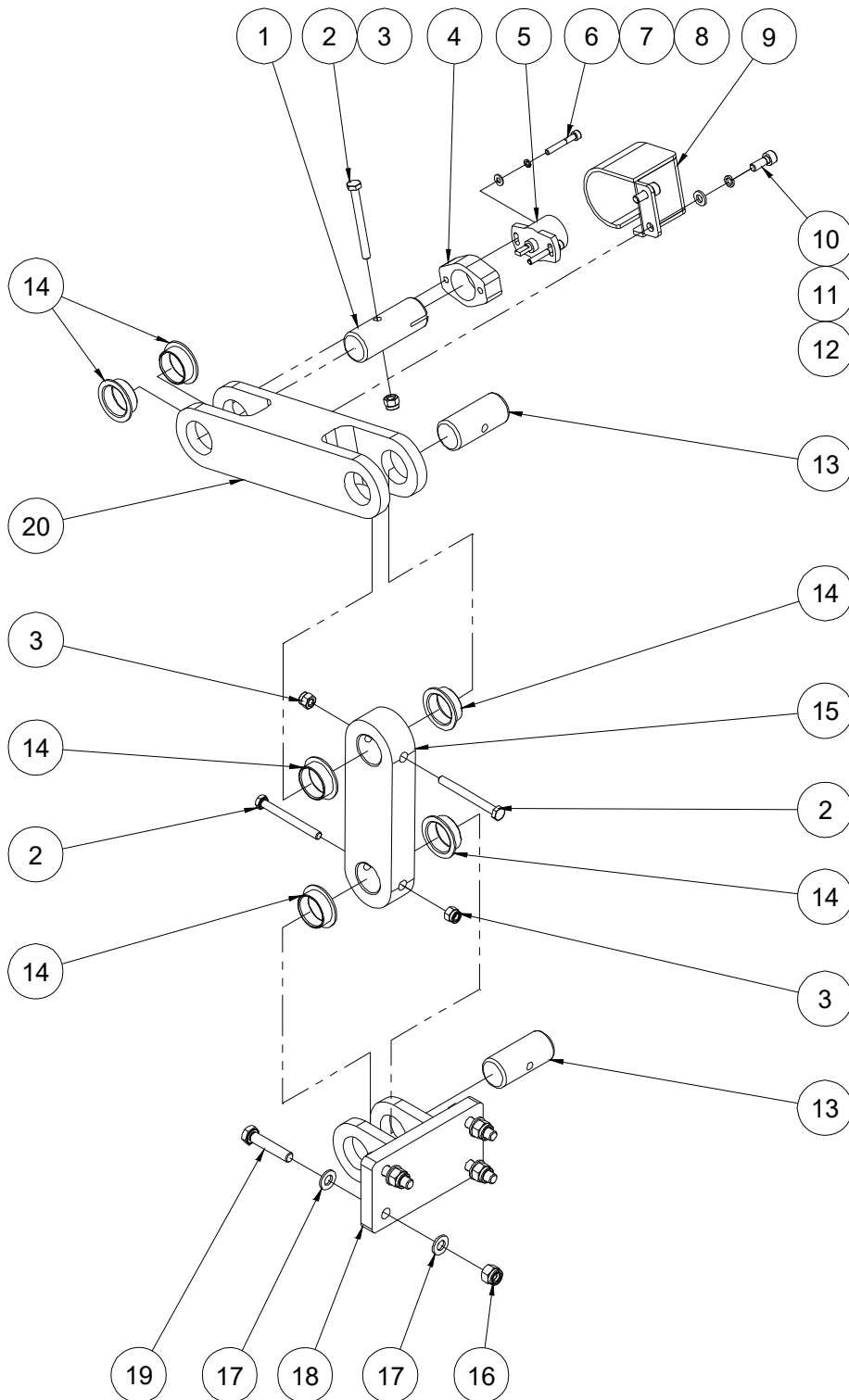
218.1 Lift cylinder and Scissor Accessory Installation



218.1 Lift cylinder and Scissor Accessory Installation

Item	Part No.	Description	Qty.
1	00002604	Bolt GB/T 5783 M8×40	1
2	10000047	Base plate	1
3	00000538	Hose clamp	1
4	10017530	Cover	1
5	00001252	Screw GB/T 70.1 M5×12	5
6	00000606	Washer GB/T 93 5	5
7	00000605	Washer GB/T 97.1 5	5
8	00001829	Water-proof joint M30×1.5	24
9	10009675	Sheath	24
10	00006128	Water-proof joint M20×1.5	36
11	00006177	Cover	16
12	10022451	Block	10
13		Rotary sensor assembly (refer to 219.1)	1
14		Lift cylinder assembly (without seal kit) (refer to 401.1)	1
15	10023882	Pin	1
16	00000997	Washer GB/T 97.1 16	3
17	00001035	Washer GB/T 93 16	3
18	00001057	Bolt GB/T 5783 M16×45	3
19	00004483	Grease nipple GB/T 1152 M10×1	40
20	10023884	Pin	1
21	10022450	Block	20

219.1 Rotary Sensor Assembly

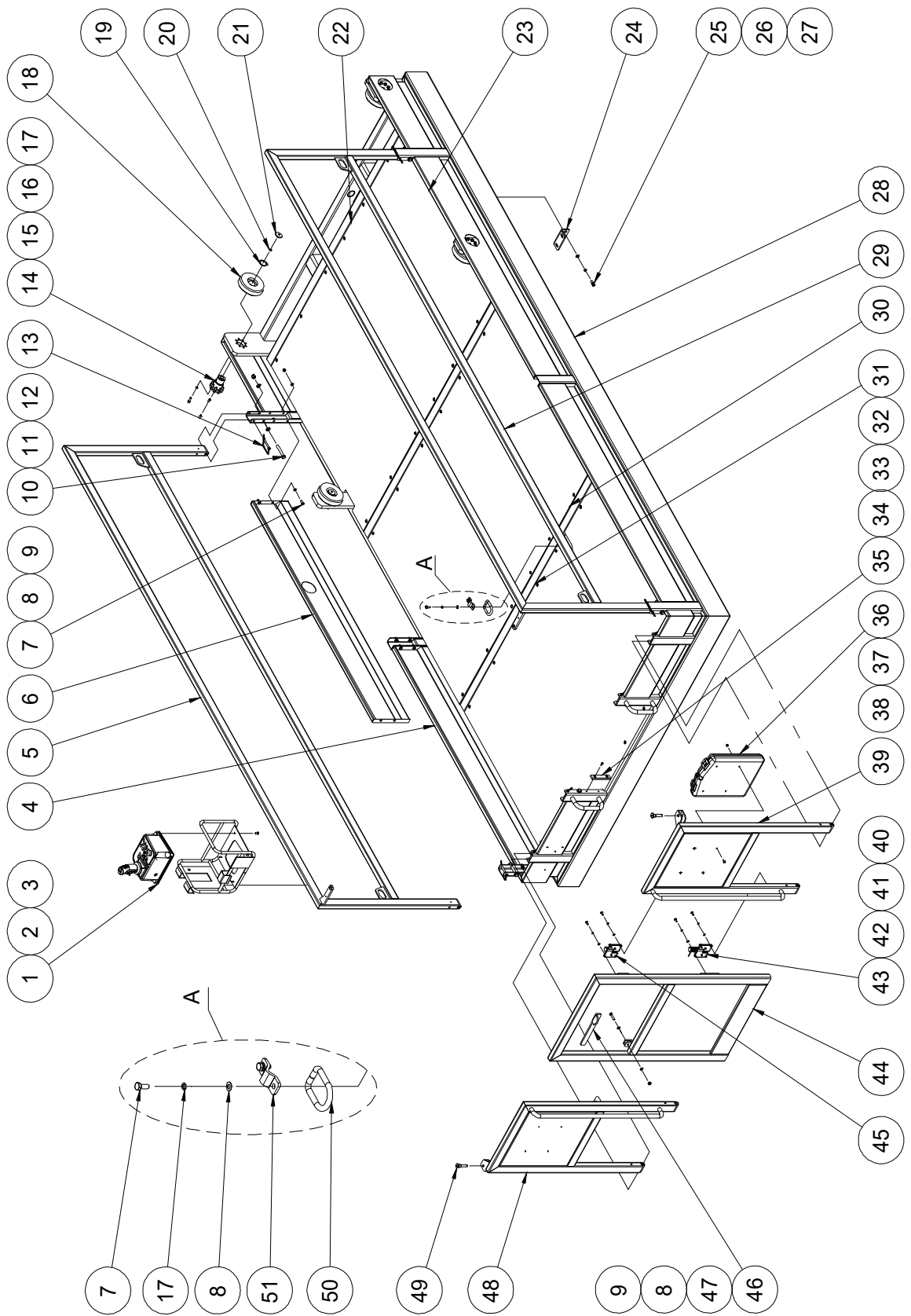


219.1 Rotary Sensor Assembly

Item	Part No.	Description	Qty.
1	10009584	Pin	1
2	00002335	Bolt GB/T 5782 M6×60	3
3	00001033	Nut GB/T 6182 M6	3
4	10001569	Sensor bracket	1
5	00000644	Rotary sensor	1
6	00002415	Screw GB/T 70.1 M4×30	2
7	00000779	Washer GB/T 93 4	2
8	00000778	Washer GB/T 97.1 4	2
9	10016634	Protect cover	1
10	00000876	Screw GB/T 70.1 M6×16	2
11	00000621	Washer GB/T 93 6	2
12	00000620	Washer GB/T 97.1 6	2
13	00006176	8942-2555 Pin	2
14	00006178	8822-2511 Bearing	6
15	10009583	Link plate	1
16	00001163	Nut GB/T 6182 M8	4
17	00000608	Washer GB/T 97.1 8	8
18	10009587	Bracket	1
19	00002604	Bolt GB/T 5783 M8×40	4
20	10009582	Link plate	1

Section 3 Platform

301.1 Main Platform Assembly



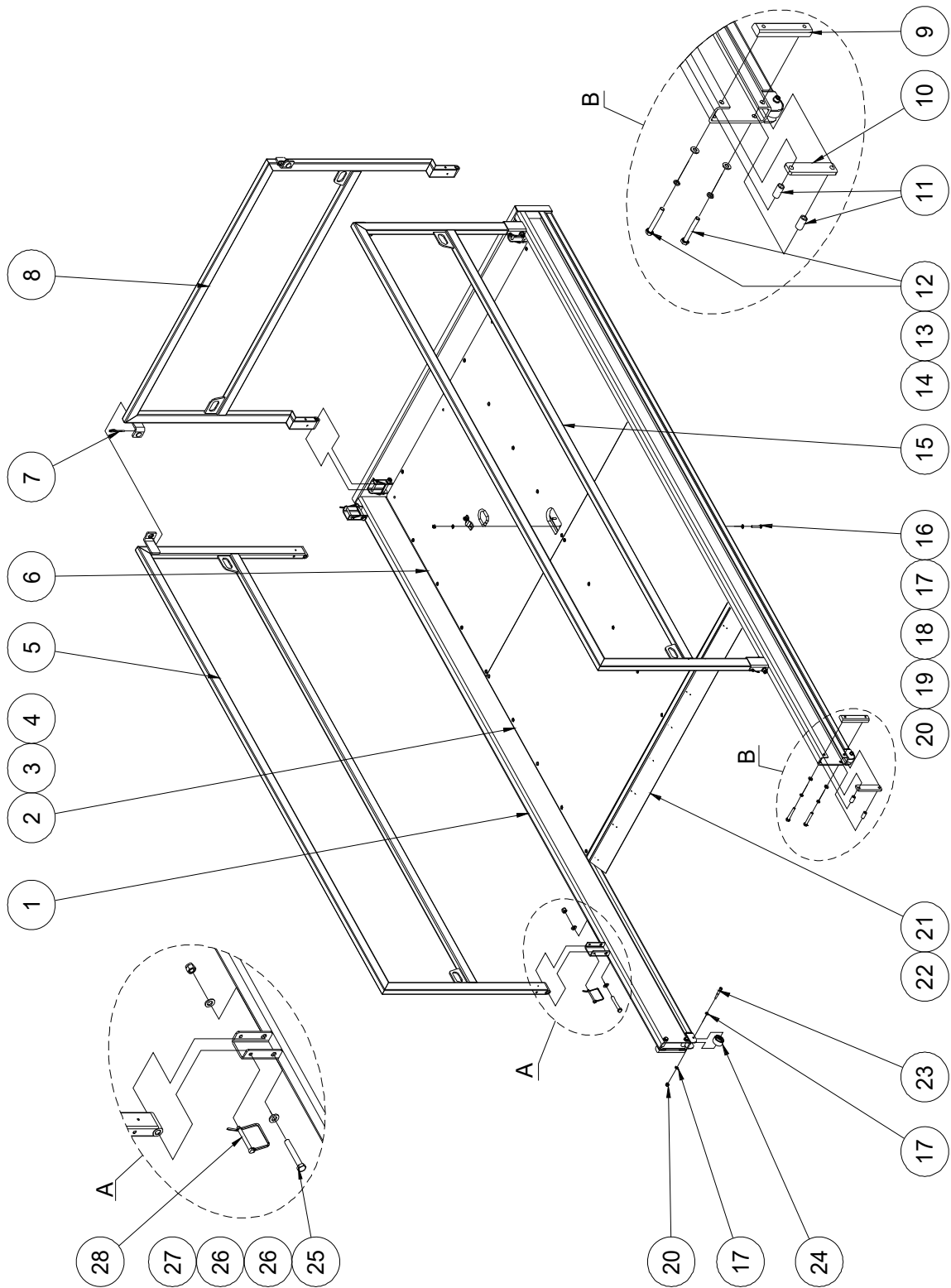
301.1 Main Platform Assembly

Item	Part No.	Description	Qty.
1		Platform control box assembly (refer to 303.1)	1
2	10011382	Platform control box mount bracket (without cover)	1
	10017028	Platform control box mount bracket (with cover)	1
3	00001986	Screw GB/T 818 M6×16 - H	4
4	10023273	Toeboard weldment	2
5	10023286	Right main rail	1
6	10023275	Toeboard weldment	1
7	00000875	Bolt GB/T 5783 M8×20	18
8	00000608	Washer GB/T 97.1 8	36
9	00001163	Nut GB/T 6182 M8	17
10	00002527	Bolt GB/T 5782 M12×80	9
11	00000814	Washer GB/T 97.1 12	18
12	00001249	Nut GB/T 6182 M12	9
13	10012090	Inserted pin	8
14	10014045	Pin	4
15	00005165	Screw GB/T 79 M10×20	8
16	00002555	Screw GB/T 70.1 M8×25	32
17	00000609	Washer GB/T 93 8	34
18	10011328	Roller	4
19	00000944	Washer GB/T 894.1-40	4
20	10006579	Washer	4
21	10006578	Block	4
22	10023294	Main platform deck plate 3	1
23	10023277	Toeboard weldment	1
24	10011326	Cylinder seat	1
25	00002249	Screw GB/T 70.1 M10×20	2
26	00000679	Washer GB/T 93 10	2
27	00000615	Washer GB/T 97.1 10	2
28	10023186	Main deck weldment	1

301.1 Main Platform Assembly

Item	Part No.	Description	Qty.
29	10023283	Left main rail	1
30	10023293	Main platform deck plate 2	1
31	10023292	Main platform deck plate 1	1
32	00006322	Rivet GB/T 12618.4 4.8×30	42
33	00003545	Washer GB/T 96.1 5	42
34	00000830	Screw GB/T 70.3 M6×16	2
35	10013186	Block	1
36	50000555	Manual box	1
37	00002523	Screw GB/T 973 M5×16	4
38	00002573	Nut GB/T 6183.1 M5	4
39	10023287	Front rail 1	1
40	00000818	Bolt GB/T 5783 M6×16	12
41	00000621	Washer GB/T 93 6	12
42	00000620	Washer GB/T 97.1 6	12
43	10000302	Hinge B	1
44	10011318	Entry gate	1
45	10000299	Hinge A	1
46	10011325	Latch handle	1
47	00002604	Bolt GB/T 5783 M8×40	1
48	10023288	Front rail 2	1
49	10012192	Inserted pin	2
50	10018898	Ring	1
51	10018899	Ring bracket	1

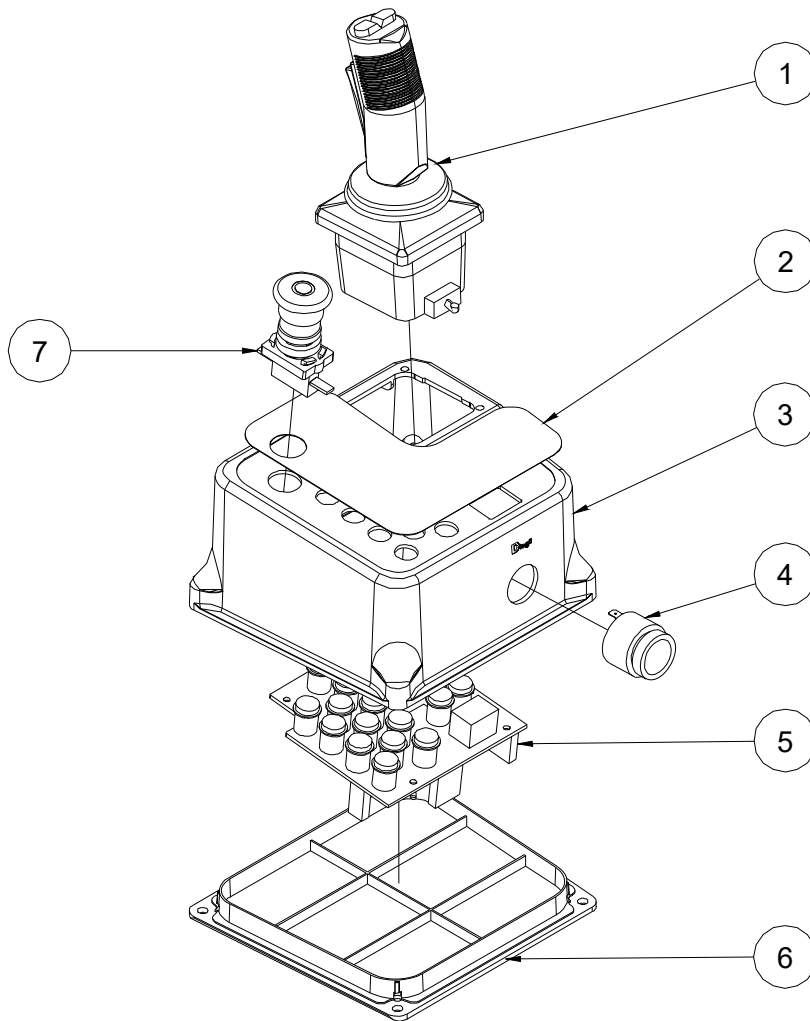
302.1 Platform Extension Assembly



302.1 Platform Extension Assembly

Item	Part No.	Description	Qty.
1	10023296	Extension deck weldment	1
2	10023664	Platform extension deck plate	1
3	00006322	Rivet GB/T 12618.4 4.8×30	30
4	00003545	Washer GB/T 96.1 5	30
5	10023656	Right extension rail	1
6	10023665	Platform extension deck plate	1
7	10011337	Cotter pin	2
8	10023660	Rear rail	1
9	10011376	Baffle plate	2
10	10011377	Baffle plate	2
11	10011378	Spacer sleeve	4
12	00002512	Bolt GB/T 5782 M10×70	4
13	00000679	Washer GB/T 93 10	4
14	00000615	Washer GB/T 97.1 10	4
15	10023659	Left extension rail	1
16	00003607	Bolt GB/T 5783 M8×50	2
17	00000608	Washer GB/T 97.1 8	8
18	10018898	Ring	1
19	10018899	Ring bracket	1
20	00001163	Nut GB/T 6182 M8	4
21	10023663	Rubber plate	1
22	00001991	Rivet GB/T 12618.4 4.8×16	18
23	00003136	Screw GB/T 70.1 M8×55	2
24	10011379	Roller	2
25	00002527	Bolt GB/T 5782 M12×80	6
26	00000814	Washer GB/T 97.1 12	12
27	00001249	Nut GB/T 6182 M12	6
28	10012090	Inserted pin	6

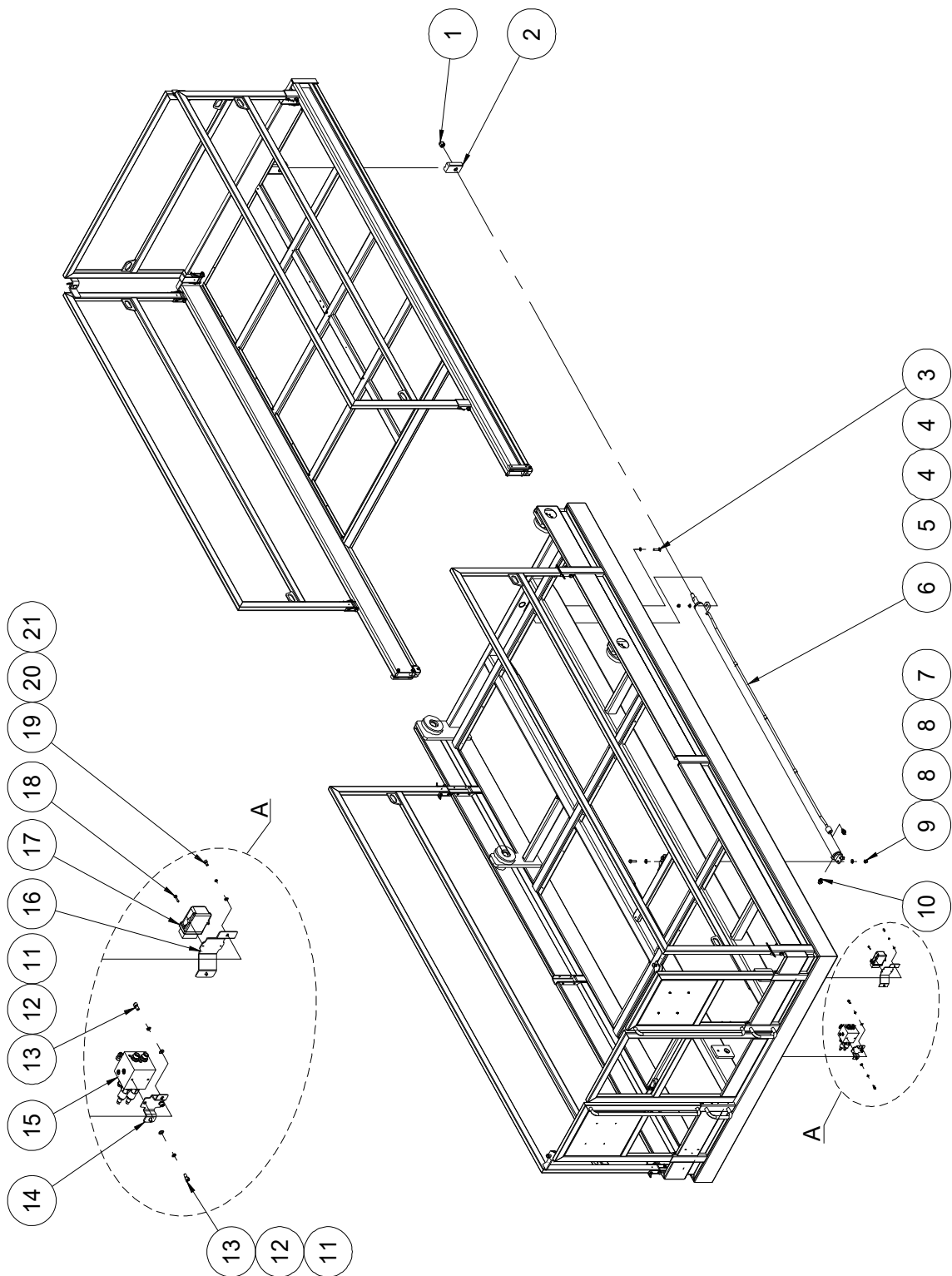
303.1 Platform Control Box Assembly



303.1 Platform Control Box Assembly

Item	Part No.	Description	Qty.
1	00004358	Joystick	1
2	09140043	Decal, Platform control panel	1
3	00004356	Enclosure	1
4	00000712	Alarm	1
5	00004357	Main board	1
6	00004355	Cover bottom	1
7	00000713	Emergency stop switch	1

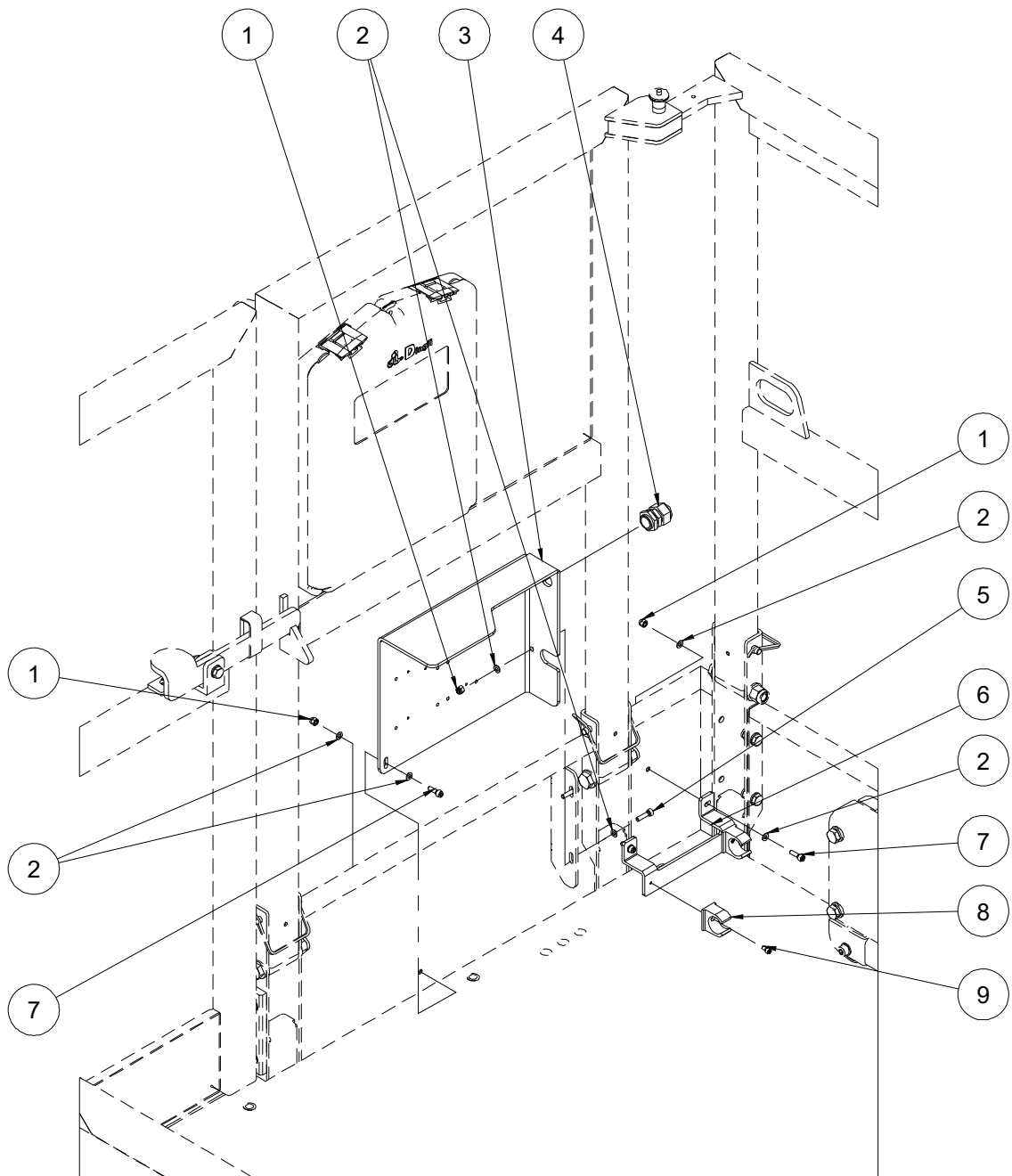
304.1 Top Telescopic Cylinder Assembly



304.1 Top Telescopic Cylinder Assembly

Item	Part No.	Description	Qty.
1	00001051	Nut GB/T 6182 M20	1
2	10018458	Locating plate	1
3	00002411	Bolt GB/T 5783 M10×45	2
4	00000615	Washer GB/T 97.1 10	4
5	00000623	Nut GB/T 6182 M10	2
6	10023610	Extension cylinder	1
--	00006645	Seal kit	1
7	00001055	Bolt GB/T 5783 M12×40	2
8	00000814	Washer GB/T 97.1 12	4
9	00001249	Nut GB/T 6182 M12	2
10	00001294	Straight fitting	2
11	00000608	Washer GB/T 97.1 8	4
12	00000609	Washer GB/T 93 8	4
13	00002051	Screw GB/T 70.1 M8×16	4
14	10011369	Bracket	1
15		Counterbalance manifold assembly (refer to 405.1)	1
16	10023668	Bracket	1
17	00009805	Load sensor amplifier	1
18	00000817	Screw GB/T 70.1 M5×20	2
19	00002029	Screw GB/T 70.1 M6×12	2
20	00000621	Washer GB/T 93 6	2
21	00000620	Washer GB/T 97.1 6	2

305.1 Platform cable plate

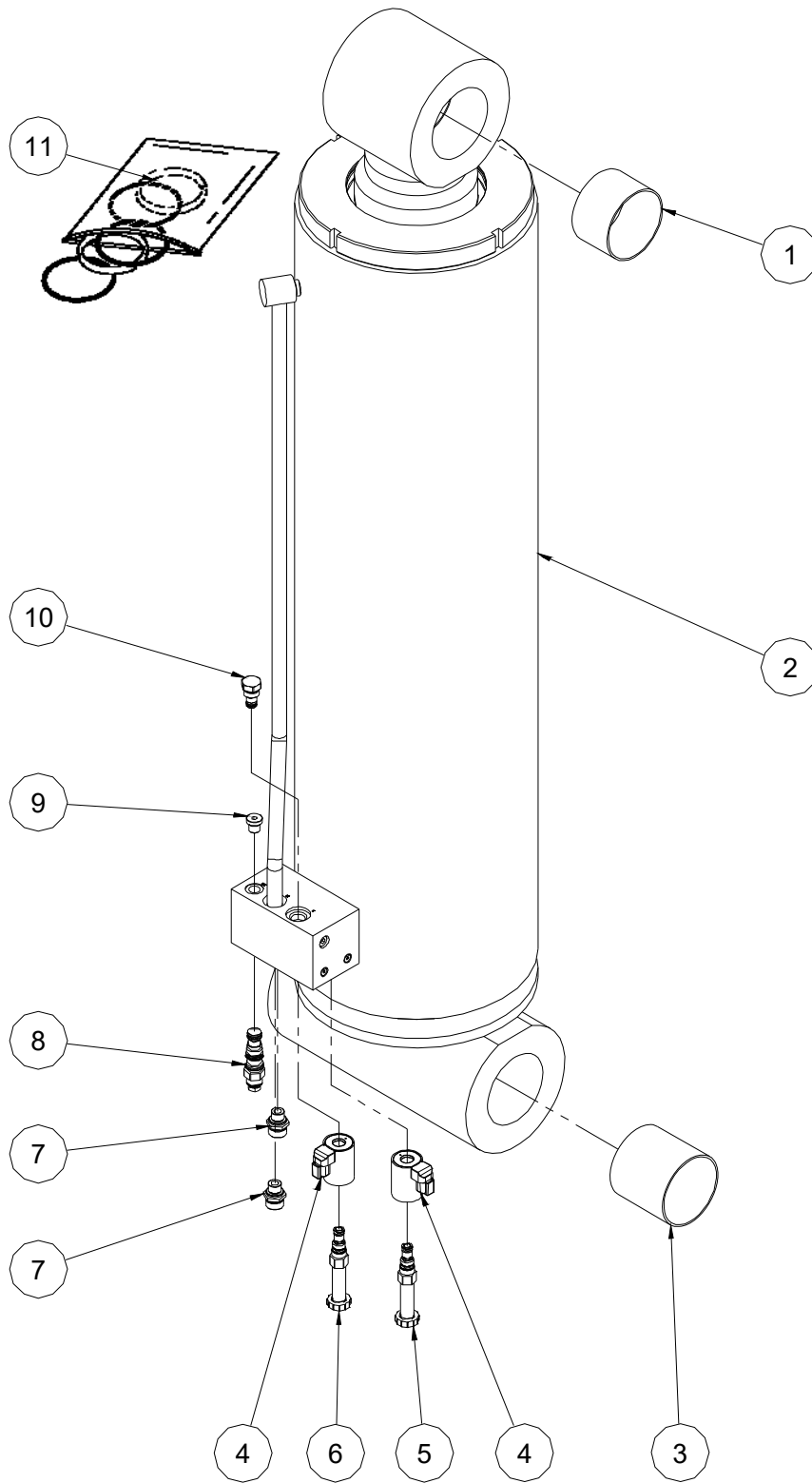


305.1 Platform cable plate

Item	Part No.	Description	Qty.
1	00000613	Nut GB/T 6182 M5	5
2	00000605	Washer GB/T 97.1 5	10
3	10013157	Socket mount plate	1
4	00001828	Water-proof joint M20	1
5	00000817	Screw GB/T 70.1 M5×20	2
6	10019830	Bracket	1
7	00001246	Screw GB/T 70.1 M5×16	3
8	00001823	Clip 24	2
9	00001987	Screw GB/T 70.1 M4×8	2

Section 4 Hydraulic System

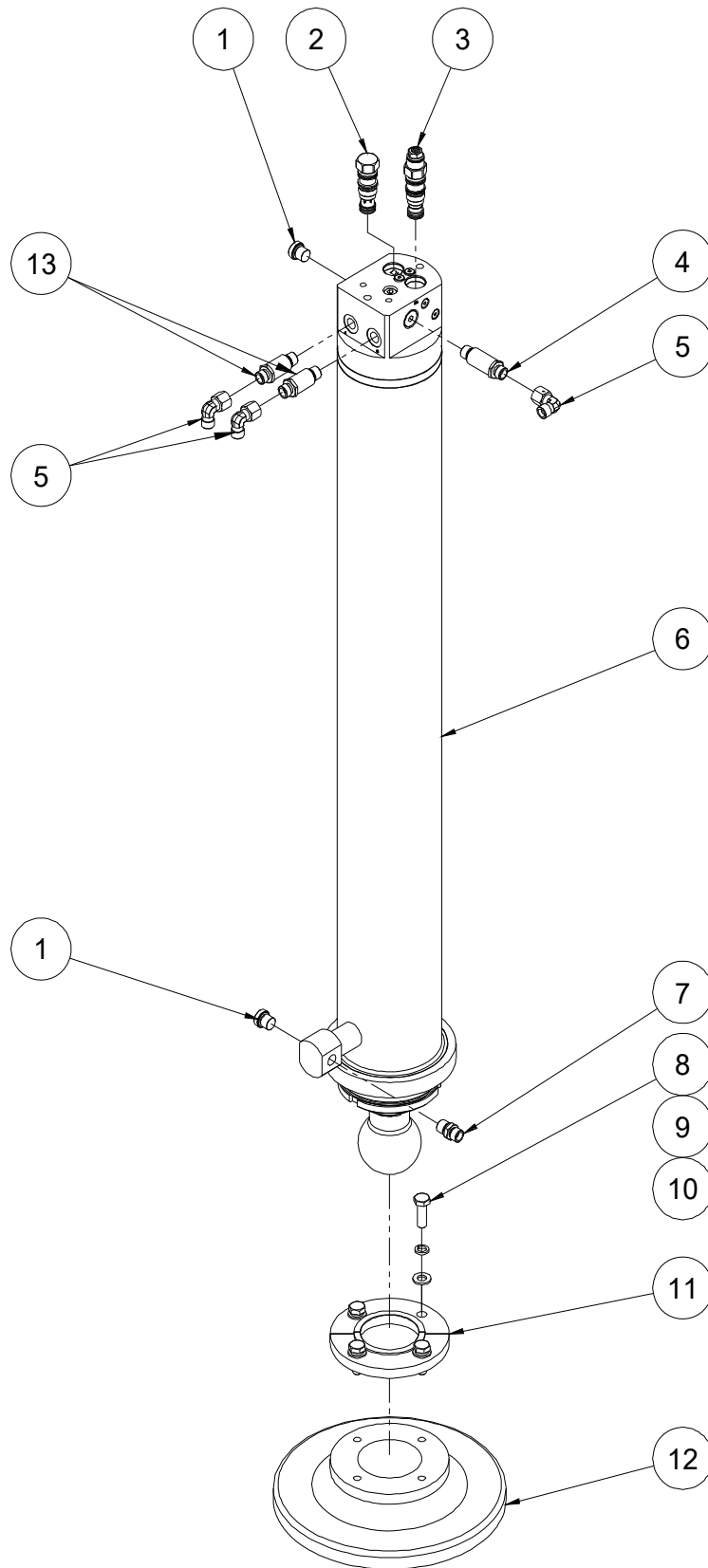
401.1 Lift Cylinder Assembly



401.1 Lift Cylinder Assembly

Item	Part No.	Description	Qty.
1	00010028	8812-859060A Bearing	2
2	10023601	Lift cylinder	1
3	00010091	8812-859090A Bearing	2
4	00004592	Coil	2
5	00004591	Solenoid valve spool	1
6	00006453	Proportional valve	1
7	00001265	Straight fitting	2
8	00004587	Counterbalance valve spool	1
9	00001073	Plug VST114×1.5ED	1
10	10000404	Check valve	1
11	00010372	Seal kit	1

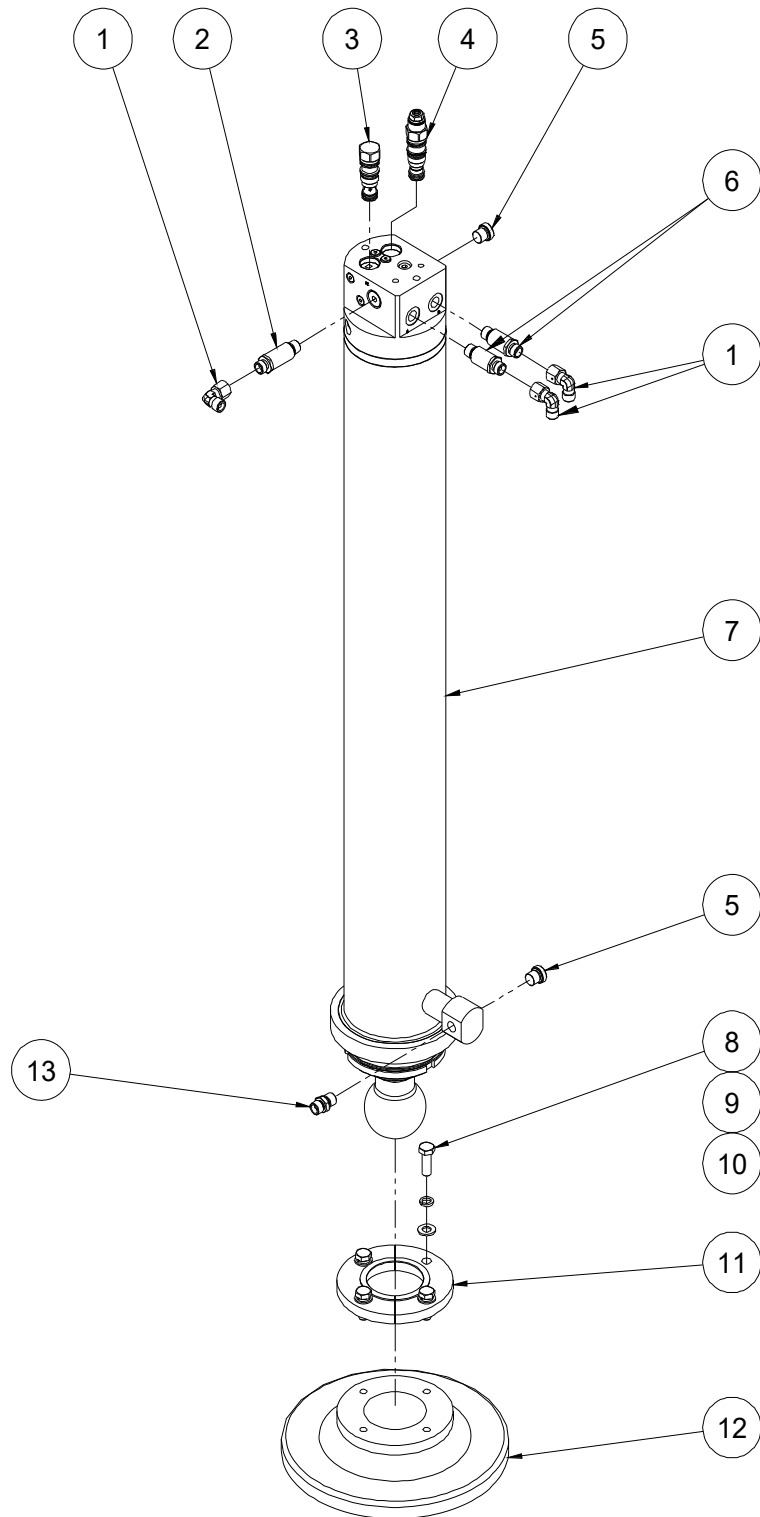
402.1 Left Outrigger Cylinder Assembly



402.1 Left Outrigger Cylinder Assembly

Item	Part No.	Description	Qty.
1	00001073	Plug VST114×1.5ED	2
2	00009693	Pilot-operated check valve (CK1, CK2, CK3, CK4)	1
3	00009755	Counterbalance valve spool (CB1, CB2, CB3, CB4)	1
4	00010021	Straight fitting	1
5	00001832	Elbow	3
6	10022637	Outrigger cylinder	1
--	00009694	Seal kit	1
6	10022402	Outrigger cylinder	1
--	00010865	Seal kit	1
7	00001282	Straight fitting	1
8	00000683	Bolt GB/T 5783 M10×30	4
9	00000679	Washer GB/T 93 10	4
10	00000615	Washer GB/T 97.1 10	4
11	10011095	Retainer	1
12	10011094	Outrigger footpad	1
13	00003758	Elbow	2

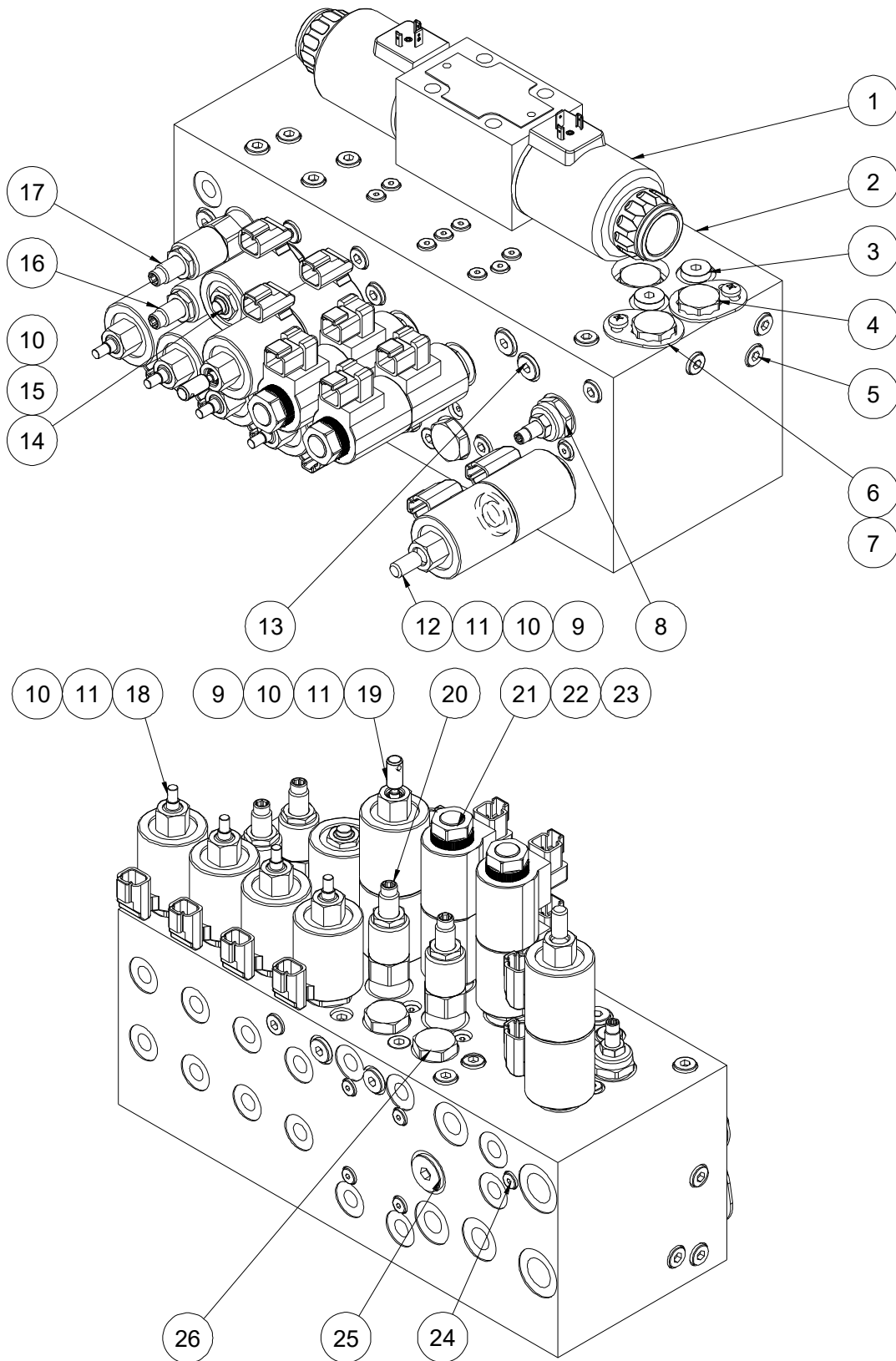
403.1 Right Outrigger Cylinder Assembly



403.1 Right Outrigger Cylinder Assembly

Item	Part No.	Description	Qty.
1	00001832	Elbow	3
2	00010021	Straight fitting	1
3	00009693	Pilot-operated check valve (CK1, CK2, CK3, CK4)	1
4	00009755	Counterbalance valve spool (CB1, CB2, CB3, CB4)	1
5	00001073	Plug VST114×1.5ED	2
6	00003758	Straight fitting	2
7	10022637	Outrigger cylinder	1
--	00009694	Seal kit	1
7	10022402	Outrigger cylinder	1
--	00010865	Seal kit	1
8	00000683	Bolt GB/T 5783 M10×30	4
9	00000679	Washer GB/T 93 10	4
10	00000615	Washer GB/T 97.1 10	4
11	10011095	Retainer	1
12	10011094	Outrigger footpad	1
13	00001282	Straight fitting	1

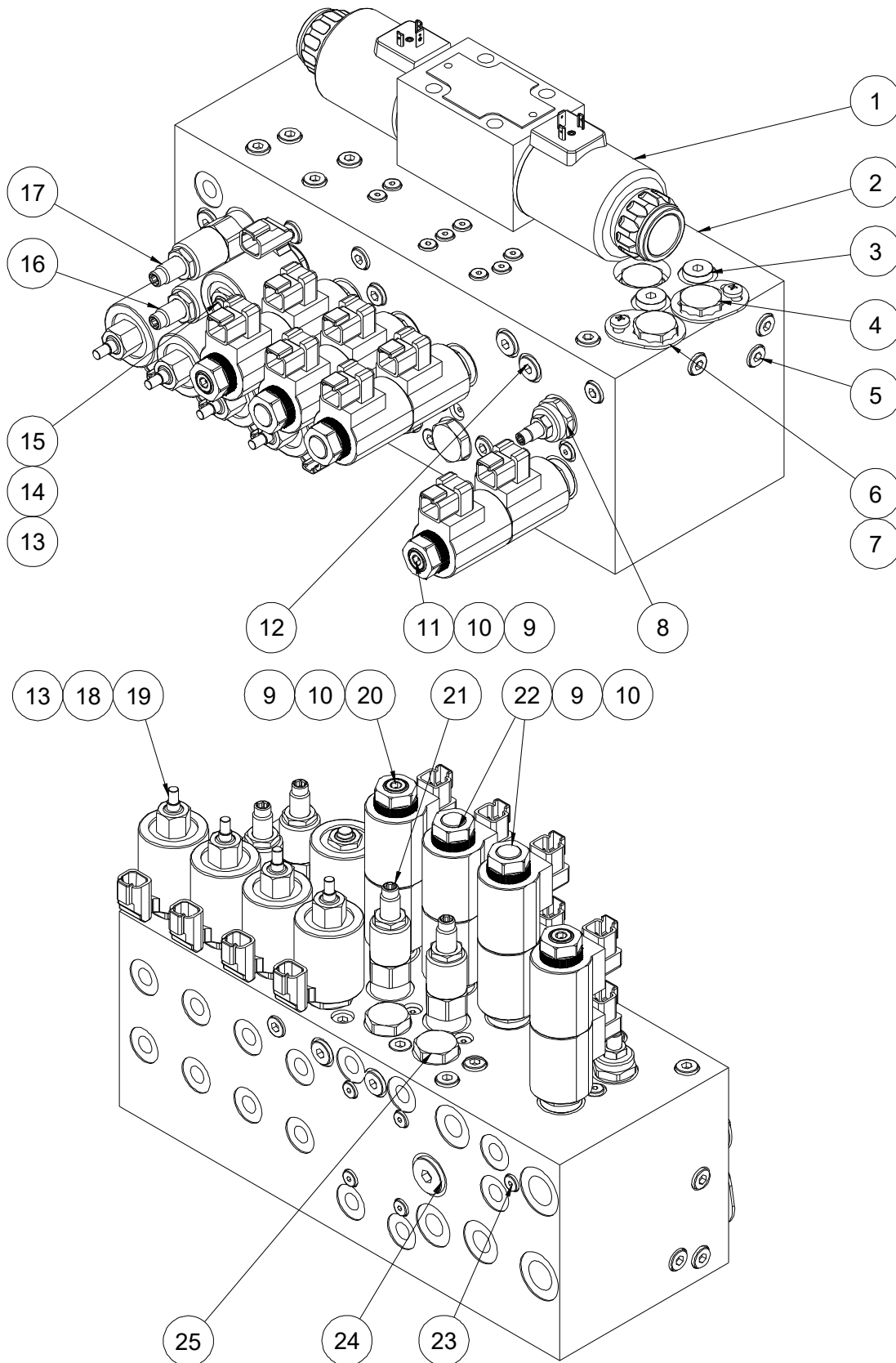
404.1 Function Manifold



404.1 Function Manifold

Item	Part No.	Description	Qty.
1	00007241	Solenoid valve (SV6)	1
2	00007232	Valve body	1
3	00001073	Plug VST114×1.5ED	2
4	00008783	Check valve (CV1, CV2, CV3)	3
5	00002998	Plug SAE4	24
6	00008822	Lock sheet	2
7	00008823	Screw GB/T 818 M6×8-H	2
8	00007158	Flow control valve (FC1)	1
9	00006735	Washer	2
10	00006733	Coil	9
11	00004371	Nut	6
12	00007242	Solenoid valve spool (SV7)	1
13	00003361	Plug SAE6	7
14	00007239	Solenoid valve spool (SV10)	1
15	00003017	Nut	1
16	00007240	Relief valve (RV4)	1
17	00007149	Relief valve (RV1)	1
18	00007148	Solenoid valve spool (SV2, SV3, SV4, SV5)	4
	00009652	Solenoid valve spool (SV2, SV3, SV4, SV5)	4
19	00007147	Solenoid valve spool (SV1)	1
20	00007144	Relief valve (RV2, RV3)	2
21	00004307	Proportional valve (SV8, SV9)	2
22	00003319	Coil	4
23	00003353	Nut	2
24	00002999	Plug SAE2	19
25	00004332	Plug SAE10	1
26	00007143	Pilot-operated check valve (POC1, POC2, POC3, POC4)	4

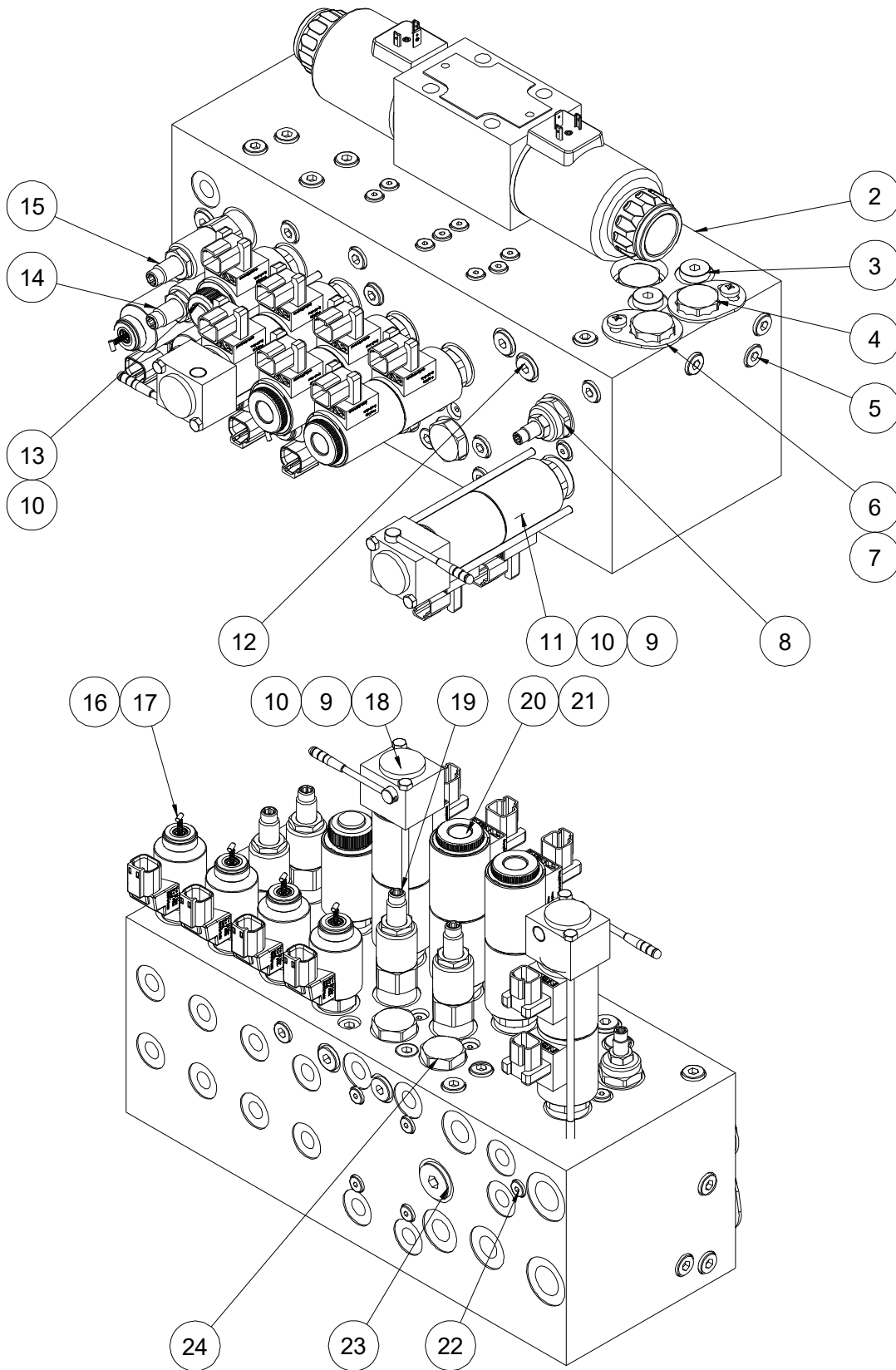
404.2 Function Manifold



404.2 Function Manifold

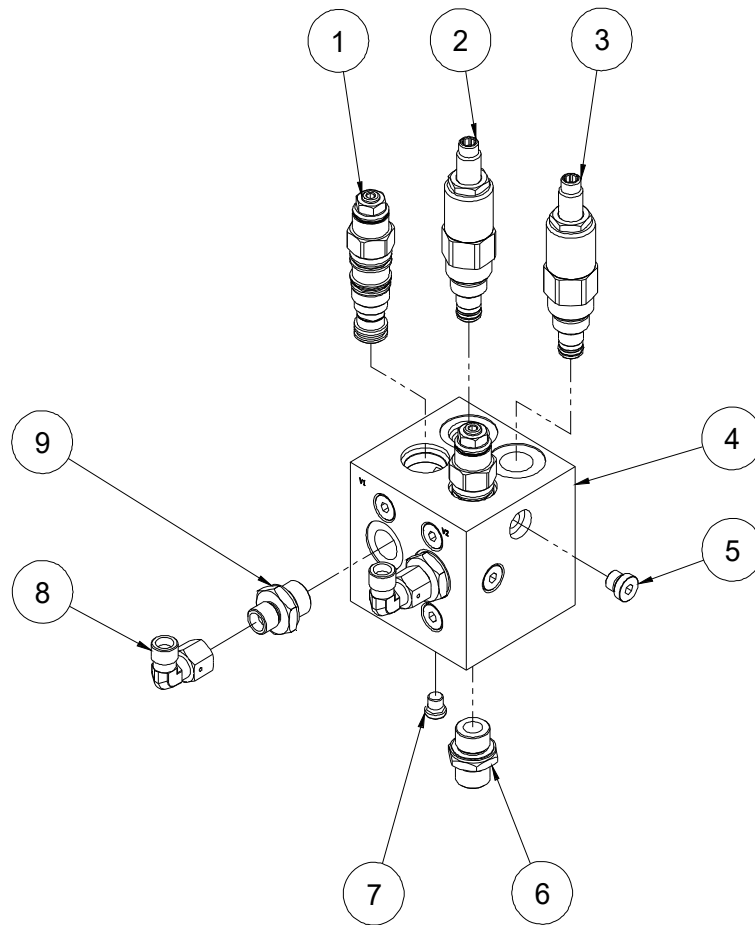
Item	Part No.	Description	Qty.
1	00007241	Solenoid valve (SV6)	1
2	00007232	Valve body	1
3	00001073	Plug VST114×1.5ED	2
4	00008783	Check valve (CV1, CV2, CV3)	3
5	00002998	Plug SAE4	24
6	00008822	Lock sheet	2
7	00008823	Screw GB/T 818 M6×8-H	2
8	00007158	Flow control valve (FC1)	1
9	00003319	Coil	8
10	00003353	Nut	4
11	00003679	Solenoid valve spool (SV7)	1
12	00003361	Plug SAE6	7
13	00006733	Coil	5
14	00003017	Nut	1
15	00007239	Solenoid valve spool (SV10)	1
16	00007240	Relief valve (RV4)	1
17	00007149	Relief valve (RV1)	1
18	00004371	Nut	4
19	00007148	Solenoid valve spool (SV2, SV3, SV4, SV5)	4
	00009652	Solenoid valve spool (SV2, SV3, SV4, SV5)	4
20	00003303	Solenoid valve spool (SV1)	1
21	00007144	Relief valve (RV2, RV3)	2
22	00004307	Proportional valve (SV8, SV9)	2
23	00002999	Plug SAE2	19
24	00004332	Plug SAE10	1
25	00007143	Pilot-operated check valve (POC1, POC2, POC3, POC4)	4

404.3 Function Manifold



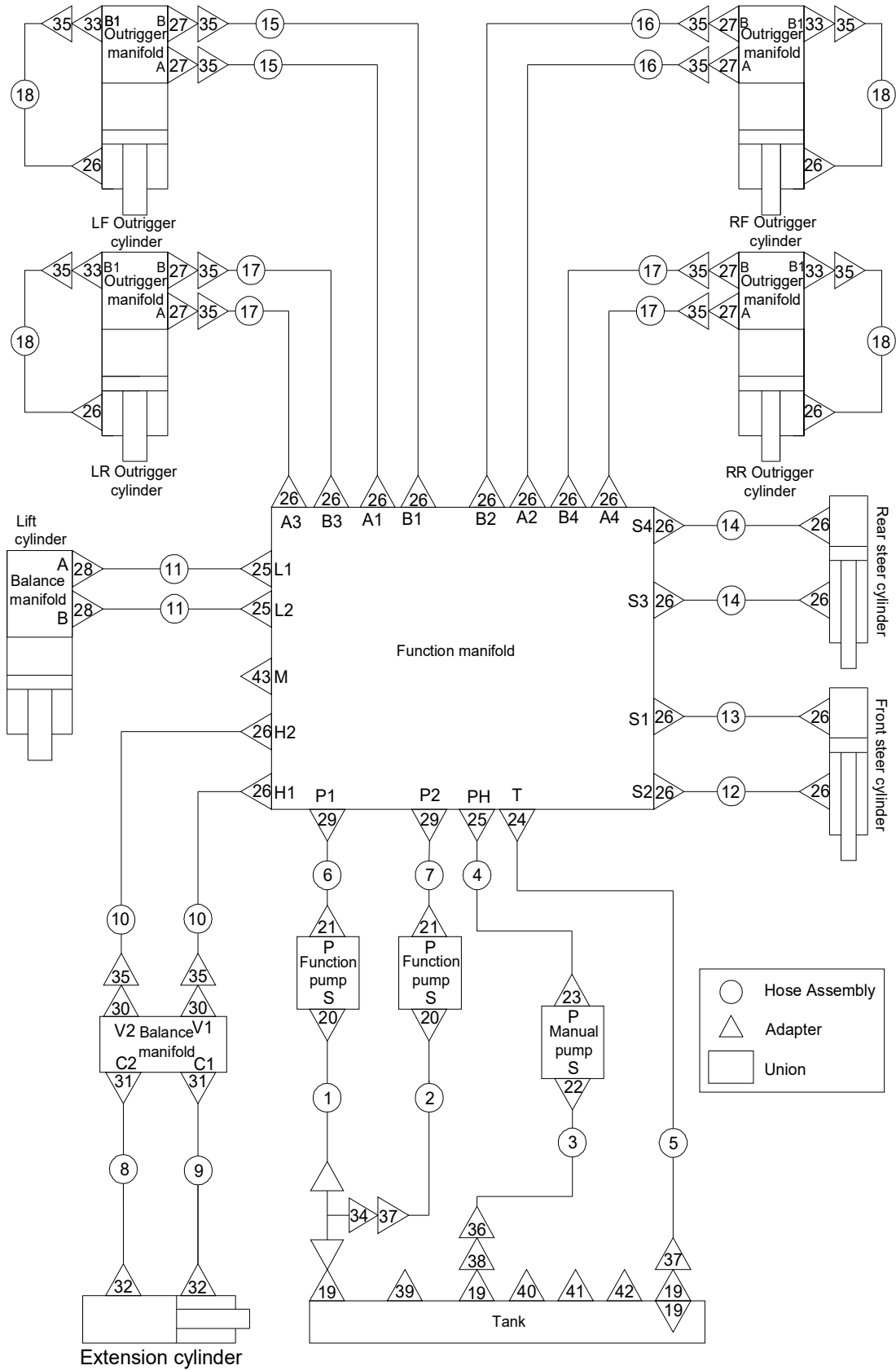
404.3 Function Manifold

Item	Part No.	Description	Qty.
1	00007241	Solenoid valve (SV6)	1
2	00007232	Valve body	1
3	00001073	Plug VST114×1.5ED	2
4	00009541	Check valve (CV1, CV2, CV3)	3
5	00002998	Plug SAE4	24
6	00008822	Lock sheet	2
7	00008823	Screw GB/T 818 M6×8-H	2
8	00009546	Flow control valve (FC1)	1
9	00009526	Handle	2
10	00009528	Coil	5
11	00009542	Solenoid valve spool (SV7)	1
12	00003361	Plug SAE6	7
13	00009531	Solenoid valve spool (SV10)	1
14	00007240	Relief valve (RV4)	1
15	00007149	Relief valve (RV1)	1
16	00009527	Coil	4
17	00009530	Solenoid valve spool (SV2, SV3, SV4, SV5)	4
18	00009529	Solenoid valve spool (SV1)	1
19	00007144	Relief valve (RV2, RV3)	2
20	00009544	Proportional valve (SV8, SV9)	2
21	00009545	Coil	4
22	00002999	Plug SAE2	19
23	00004332	Plug SAE10	1
24	00007143	Pilot-operated check valve (POC1, POC2, POC3, POC4)	4

405.1 Counterbalance Manifold Assembly**405.1 Counterbalance Manifold Assembly**

Item	Part No.	Description	Qty.
1	00007257	Counterbalance valve spool	2
2	00006792	Relief valve	1
3	00007258	Relief valve	1
4	00007256	Valve body	1
5	00001112	Plug VST11/8ED	8
6	00001262	Straight fitting	2
7	00002999	Plug SAE2	2
8	00001832	Elbow	2
9	00005693	Straight fitting	2

406.1 Hydraulic Hoses and Fittings



406.1 Hydraulic Hoses and Fittings

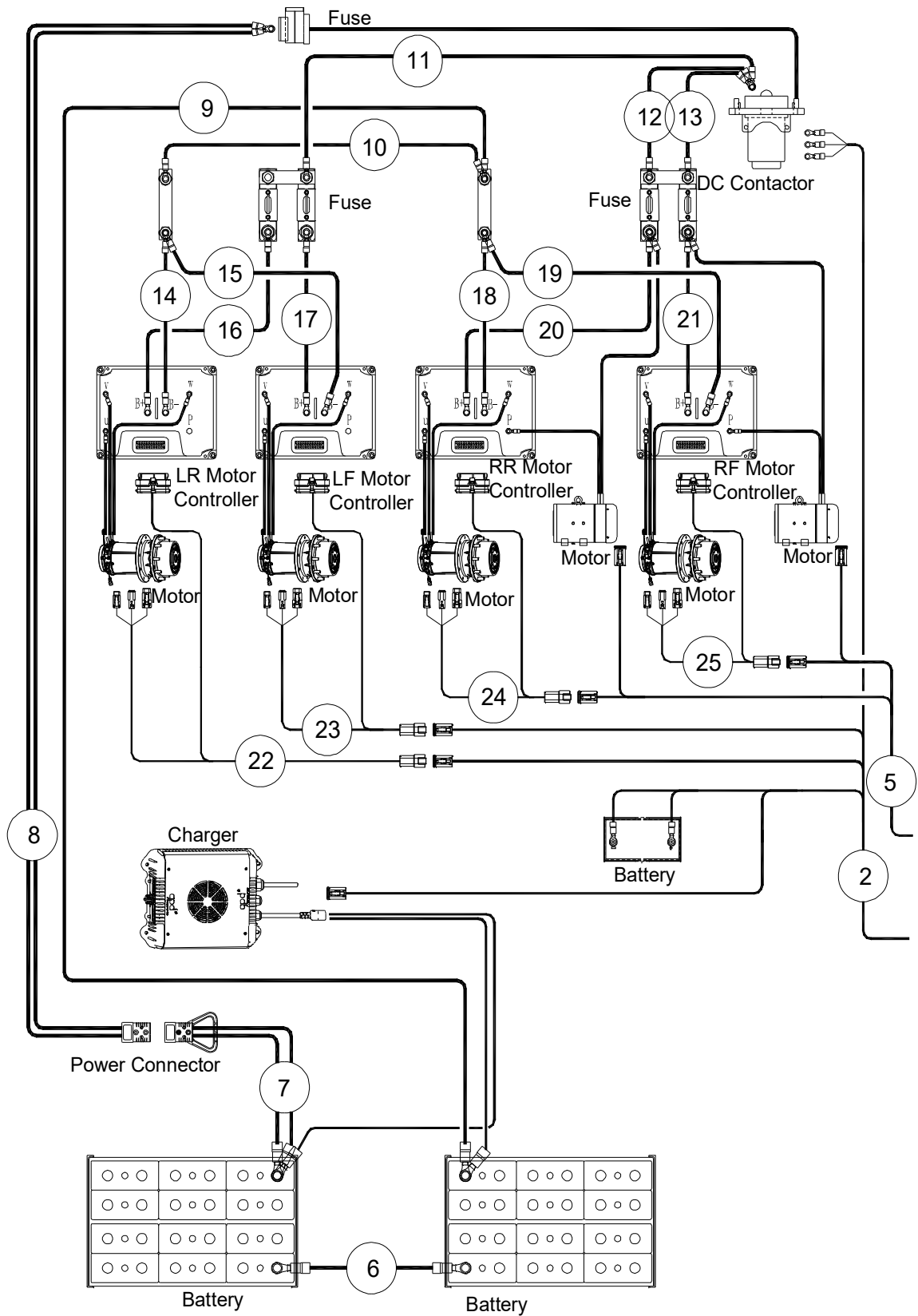
Item	Part No.	Description	Qty.
1	00010071	Hose assembly	1
2	00007800	Hose assembly	1
3	00010352	Hose assembly	1
4	00004545	Hose assembly	1
5	00007252	Hose assembly	1
6	00010343	Hose assembly	1
7	00010344	Hose assembly	1
8	00010040	Hose assembly	1
9	00010041	Hose assembly	1
10	00010039	Hose assembly	2
11	00010038	Hose assembly	2
12	00002289	Hose assembly	1
13	00007058	Hose assembly	1
14	00009245	Hose assembly	2
15	00009514	Hose assembly	2
16	00005025	Hose assembly	2
17	00007093	Hose assembly	4
18	00006388	Hose assembly	4
19	00003964	Straight fitting	4
20	00001512	Straight fitting	2
21	00001748	Straight fitting	2
22	00001506	Straight fitting	1
23	00001507	Straight fitting	1
24	00002071	Straight fitting	1
25	00001264	Straight fitting	3
26	00001282	Straight fitting	22
27	00003758	Straight fitting	8
28	00001265	Straight fitting	2
29	00003696	Straight fitting	2

406.1 Hydraulic Hoses and Fittings

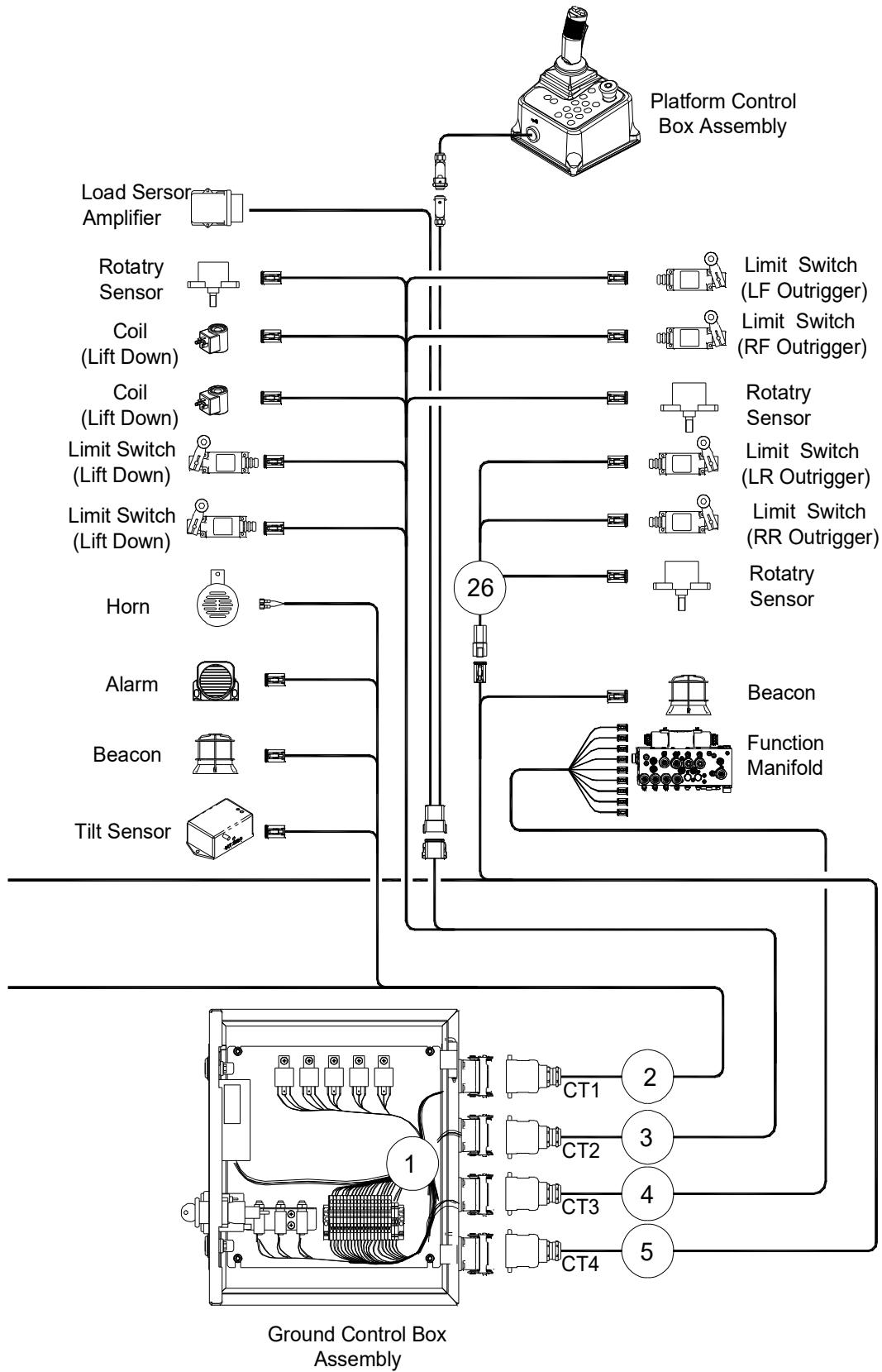
Item	Part No.	Description	Qty.
30	00005693	Straight fitting	2
31	00001262	Straight fitting	2
32	00002921	Straight fitting	2
33	00010021	Straight fitting	4
34	00001242	Tee fitting	1
35	00001832	Elbow	14
36	00001835	Elbow	1
37	00001837	Elbow	2
38	00003844	Straight fitting	1
39	00001076	Plug VSTI20×1.5ED	1
40	00001080	Plug VSTI33×2ED	1
41	00001078	Plug VSTI26×1.5ED	1
42	00001074	Plug VSTI16×1.5ED	1
43	00001073	Plug VSTI14×1.5ED	1

Section 5 Electrical System

501.1 Electrical Harness



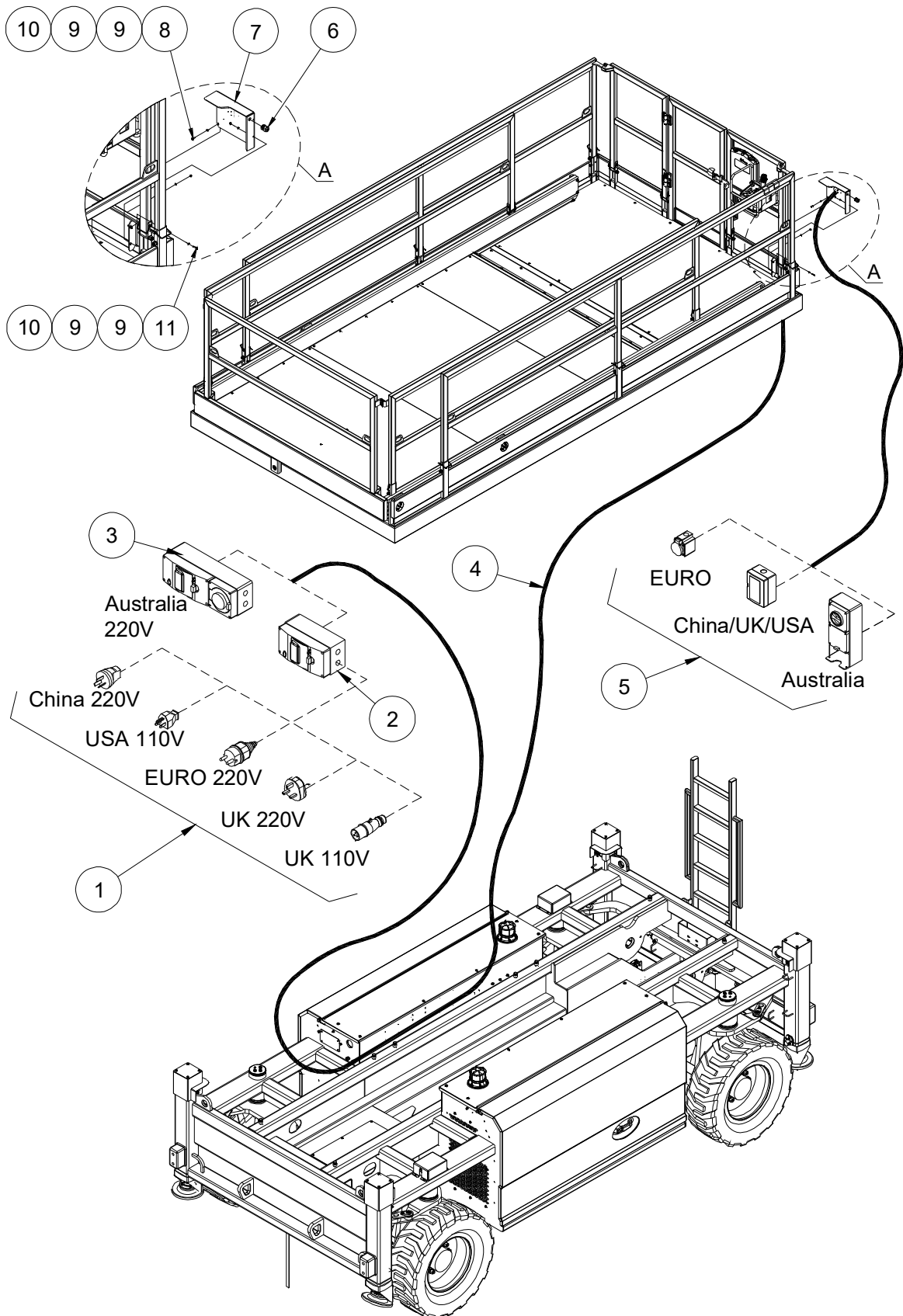
501.1 Electrical Harness



501.1 Electrical Harness

Item	Part No.	Description	Qty.
1	00010395	Ground control box harness	1
2	00010396	CT1 harness	1
3	00010397	CT2 harness	1
4	00010398	CT3 harness	1
5	00010399	CT4 harness	1
6	00010118	Battery harness	1
7	00010101	Battery positive harness	1
8	00010102	Contacto harness	1
9	00010112	Battery negative harness 1	1
10	00010113	Battery negative harness 2	1
11	00010103	Fuse harness 1	1
12	00010104	Fuse harness 2	1
13	00010105	Fuse harness 3	1
14	00010117	Drive controller negative harness 4	1
15	00010116	Drive controller negative harness 3	1
16	00010111	Drive controller positive harness 4	1
17	00010109	Drive controller positive harness 3	1
18	00010115	Drive controller negative harness 2	1
19	00010114	Drive controller negative harness 1	1
20	00010108	Drive controller positive harness 2	1
21	00010107	Drive controller positive harness 1	1
22	00010099	Drive motor harness 4	1
23	00010098	Drive motor harness 3	1
24	00010097	Drive motor harness 2	1
25	00010096	Drive motor harness 1	1
26	00010095	Rear frame harness	1

502.1 Power to Platform

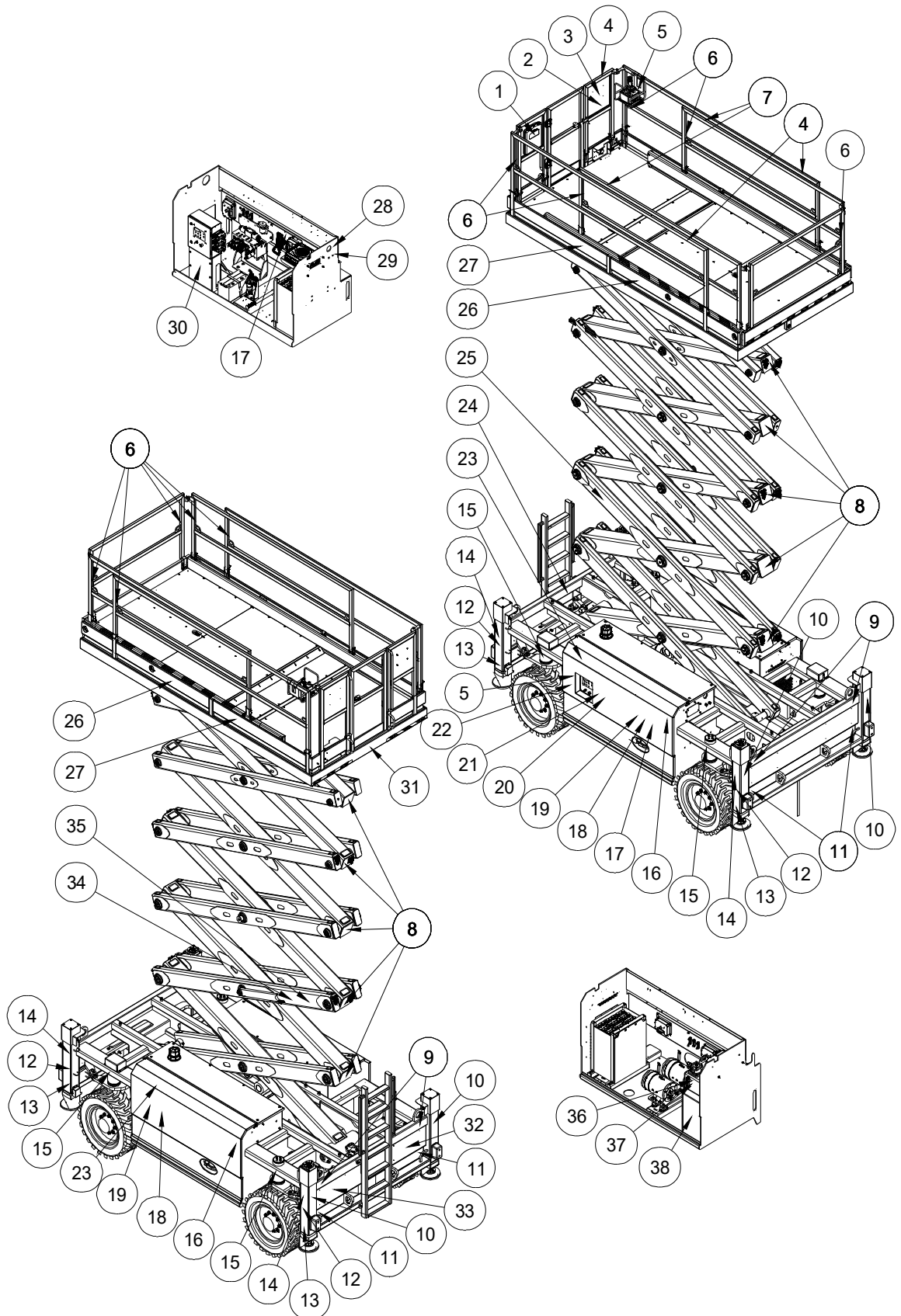


502.1 Power to Platform

Item	Part No.	Description	Qty.
1	00003148	AC plug (China 220V)	1
	00003149	AC plug (USA 110V)	1
	00003151	AC plug (European 220V)	1
	00003150	AC plug (UK 220V)	1
	00002615	AC plug (UK 110V)	1
2	00002634	Circuit breaker (Option)	1
3	00002603	AC plug (Australia 220V)	1
4	00010739	Wire cable, platform AC power	1
5	00002709	AC socket (European)	1
	00000668	AC socket (China/UK/USA)	1
	00002617	AC socket (Australia) (AC socket bracket: 10009657)	1
6	00001828	Water-proof joint M20	1
7	10013157	Socket mount plate	1
8	00001246	Screw GB/T 70.1 M5×16	1
9	00000605	Washer GB/T 97.1 5	6
10	00000613	Nut GB/T 6182 M5	3
11	00000817	Screw GB/T 70.1 M5×20	2

Section 6 Decal

601.1 Decals with Words



601.1 Decals with Words

Item	Part No.	Description	Qty.
1	09340001	Decal, Notice-Keep the manual with the machine	1
2	09440119	Decal, Danger-Tip-over hazard, tilt-alarm	1
3	09440001	Decal, Danger-General safety rules	1
4	09340070	Decal, Symbols-Non operating hand position	3
5	09340003	Decal, Instructions-Refer the operator to the instructions for use	2
6	09440011	Decal, Label-Lanyard anchorage point	10
7	09440212	Decal, Warning-Crushing hazard	2
8	09430007	Decal, Symbols-Crushing hazard	10
9	09310049	Decal, Instructions-Lift point	4
10	09420005	Decal, Warning-Collision hazard	4
11	09310050	Decal, Instructions-Tie down point	4
12	09410157	Decal, Symbols-Outrigger using warning	4
13	09310563	Decal, Instructions-Maximum outrigger load 3470kg	4
14	09410069	Decal, Warning-Crushing hazard, outrigger	4
15	09310203	Decal, Instructions-Maximum wheel load 3470kg	4
16	09540001	Decal, Label-CE	2
17	09310349	Decal, Notice-Main power switch operation	2
18	09410140	Decal, Warning-Filling water warning	2
19	09410001	Decal, Danger-Explosion/burn hazard	2
20	09310148	Decal, Instructions-Emergency	1
21	09410071	Decal, Warning-Injection hazard	1
22	09410003	Decal, Warning-Inspected and operation properly	1
23	09910125	Decal, Label-JCPT1923DCL	2
24	09410005	Decal, Danger-Do not alter or disable limit switch	1
25	09330041	Decal, Instructions-Grease filling port	1
26	09440007	Decal, Caution-Max. manual force 400N	2
27	09640253	Decal, Cosmetic-JCPT1923DCL	2
28	09310219	Decal, Instructions-Battery charger	1

601.1 Decals with Words

Item	Part No.	Description	Qty.
29	09310217	Decal, Instructions-Power to platform	1
30	09310340	Decal, Symbols-Emergency operating instructions	1
	09310522	Decal, Symbols-Emergency operating instructions	1
31	09440570	Decal, Label-Capacity 680kg	1
32	09310305	Decal, Instructions-Grease filling port	1
33	09310307	Decal, Instructions-Grease filling port	1
34	09430028	Decal, Danger-Safety arm	1
35	09330039	Decal, Instructions-Grease filling port	1
36	09310052	Decal, Instructions-Highest oil level	1
37	09310053	Decal, Instructions-Lowest oil level	1
38	09310054	Decal, Instructions-Hydraulic	1

601.1 Decals with Words

① 09340001

② 09440119

③ 09440001

④ 09340070

⑤ 09340003

⑧ 09430007

⑨ 09310049

⑥ 09440011

⑦ 09440212

⑩ 09420005

⑪ 09310050

⑫ 09410157

⑬ 09310563

⑮ 09310203

⑯ 09540001

⑳ 09310148

⑭ 09410069

⑰ 09310349

⑱ 09410140

㉑ 09410005

⑲ 09410001

㉒ 09410071

㉓ 09410003

㉔ 09440007

㉕ 09910125

601.1 Decals with Words

27 09640253

JCPT1923DCL

31 09440570



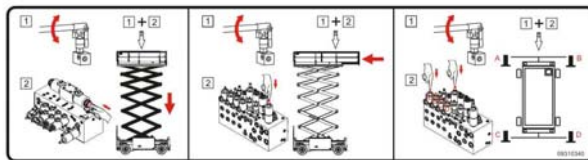
28 09310219

BATTERY CHARGER

29 09310217

POWER TO PLATFORM

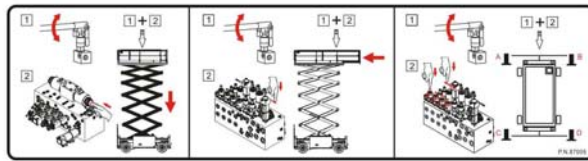
30 09310340



34 09430028



30 09310522



36 09310052



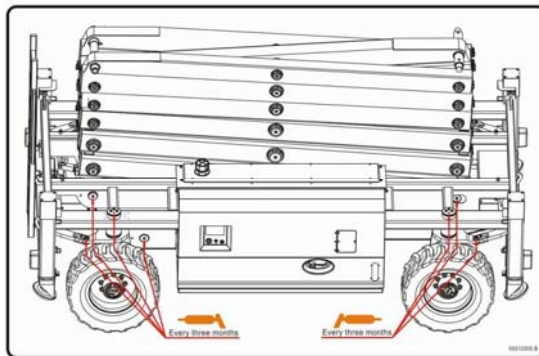
37 09310053



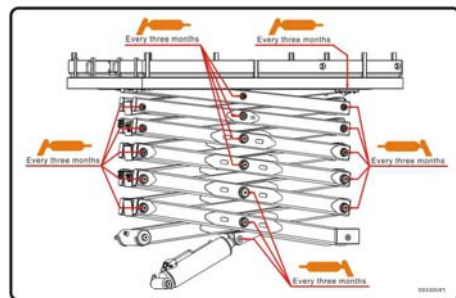
38 09310054

HYDRAULIC

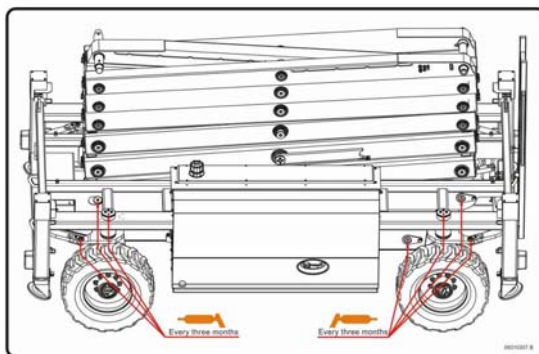
32 09310305



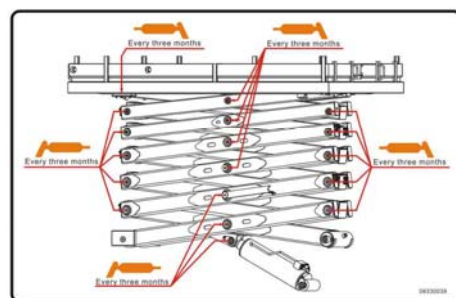
25 09330041



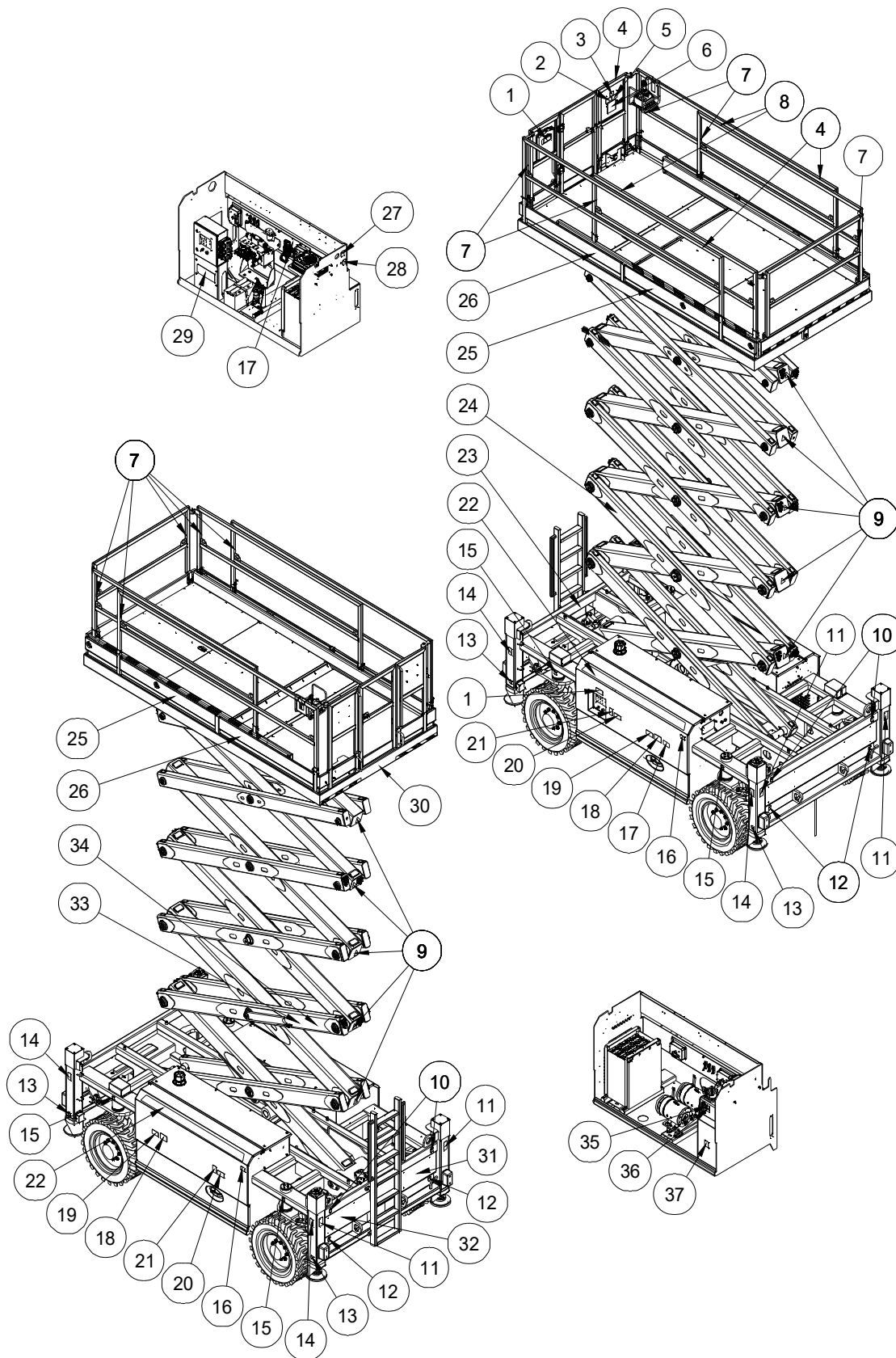
33 09310307



35 09330039



602.1 Decals with Symbols



602.1 Decals with Symbols

Item	Part No.	Description	Qty.
1	09340026	Decal, Symbols-Refer the operator to the instructions for use	2
2	09440094	Decal, Symbols-Tip-over hazard, outrigger	1
3	09340028	Decal, Instructions-Directional arrows	1
4	09340070	Decal, Symbols-Non operating hand position	3
5	09440090	Decal, Symbols-Tip-over hazard, tilt-alarm	1
6	09440091	Decal, Symbols-General safety rules	1
7	09440089	Decal, Label-Lanyard anchorage point	10
8	09440212	Decal, Warning-Crushing hazard	2
9	09430007	Decal, Symbols-Crushing hazard	10
10	09310049	Decal, Instructions-Lift point	4
11	09410043	Decal, Symbols-Collision hazard	4
12	09310050	Decal, Instructions-Tie down point	4
13	09310563	Decal, Instructions-Maximum outrigger load 3470kg	4
14	09410042	Decal, Symbols-Crushing hazard	4
15	09310203	Decal, Instructions-Maximum wheel load 3470kg	4
16	09540001	Decal, Label-CE	2
17	09310354	Decal, Notice-Main power switch operation	2
18	09410147	Decal, Symbols-Charge warning	2
19	09410048	Decal, Symbols-Explosion/burn hazard	2
20	09410049	Decal, Symbols-Electrocution hazard	2
21	09410050	Decal, Symbols-Injection hazard	2
22	09910125	Decal, Label-JCPT1923DCL	2
23	09410051	Decal, Symbols-Do not alter or disable limit switch	1
24	09330044	Decal, Instructions-Grease filling port	1
25	09440072	Decal, Symbols-Max. manual force 400N	2
26	09640253	Decal, Cosmetic-JCPT1923DCL	2
27	09310355	Decal, Symbols-Battery charging instructions	1
28	09310098	Decal, Symbols-Platform power instructions	1

602.1 Decals with Symbols

Item	Part No.	Description	Qty.
29	09310340	Decal, Symbols-Emergency operating instructions	1
	09310522	Decal, Symbols-Emergency operating instructions	1
30	09440570	Decal, Label-Capacity 680kg	1
31	09310336	Decal, Instructions-Grease filling port	1
32	09310337	Decal, Instructions-Grease filling port	1
33	09430008	Decal, Symbols-Safety arm	1
34	09330043	Decal, Instructions-Grease filling port	1
35	09310052	Decal, Instructions-Highest Hydraulic Oil Level	1
36	09310053	Decal, Instructions-Lowest Hydraulic Oil Level	1
37	09310073	Decal, Instructions-Hydraulic Oil	1

602.1 Decals with Symbols

① 09340026 	② 09440094 	③ 09340028 	⑥ 09440091
④ 09340070 	⑤ 09440090 	⑦ 09440089 	
⑧ 09440212 	⑩ 09310049 	⑪ 09410043 	
⑨ 09430007 	⑫ 09310050 	⑬ 09310563 	⑭ 09410042
⑮ 09310203 	⑯ 09540001 	⑰ 09310354 	
⑱ 09410147 	⑲ 09410048 	⑳ 09410049 	
㉑ 09410050 	㉓ 09410051 	㉔ 09330044 	
㉒ 09910125 	㉕ 09440072 		
㉖ 09640253 JCPT1923DCL			

602.1 Decals with Symbols

<p>29 09310340</p>	<p>27 09310355</p>
<p>29 09310522</p>	<p>28 09310098</p>
<p>30 09440570</p>	
<p>31 09310336</p>	<p>33 09430008</p>
<p>32 09310337</p>	<p>34 09330043</p>
<p>35 09310052</p>	<p>37 09310073</p>
<p>36 09310053</p>	

DINGLI AWP INDIA PRIVATE LIMITED

Address: Sahney Towers, 81, First Floor, Poonamallee High Road, Nerkundram,

Chennai, Tamil Nadu - 600 107

Telephone: +91-98846 48464

E-mail: support@dinglisaarc.com

Website: www.dinglisaarc.com

DINGLI