

DINGLI

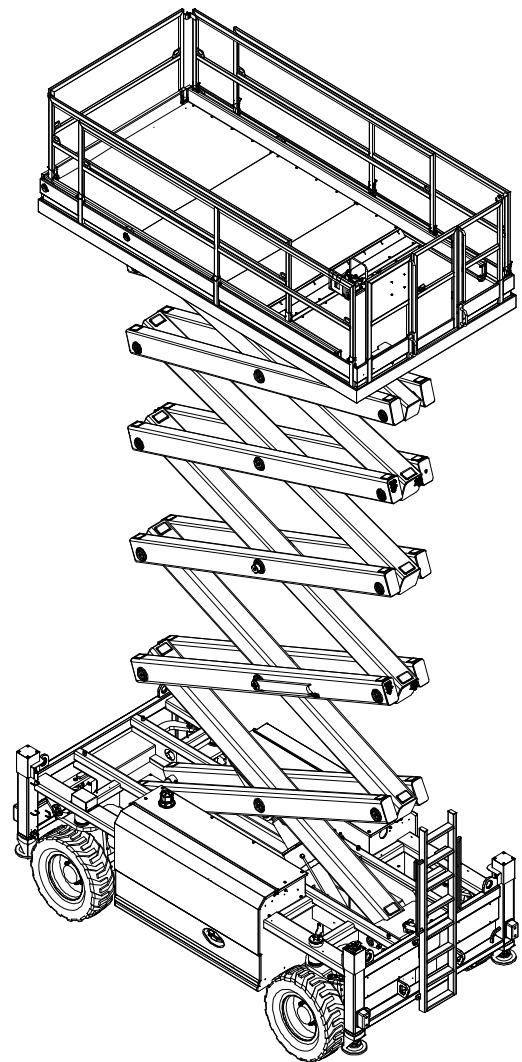
Exceed · New Height

Parts Manual

JCPT1923DC

JCPT2223DC

From SN
JPD2223023B0343-



CE ANSI

Part Number: SM012020115

Version Number: Rev1.1

August 2023 Printing

DINGLI

Foreword

We are very appreciated for your interesting with Dingli machine and choosing it for your application. Our priority above all is you can use the machine safely for your application and you can benefit from the Dingli machine mostly. For these reason we hope you can:

1. Comply with employer, job site and local governmental rules.
2. Safeguard your commitment to quality by always using genuine Dingli spare parts. Remember, Dingli cannot accept responsibility for the failure of a separator equipped with non-original spare parts. We guarantee the quality and reliability of our products.
3. All sketch maps of parts shown in this manual are for reference only, it is the practical that counts. This manual includes all the latest information up to the date when it was printed. All responsibilities for the revision and explanation of the manual rest with the Dingli. We also preserve the right to edit the technology characteristic and content of the manual.
4. Anyone who read the manual or used the machine, is encouraged to notify Dingli Machinery Co, Ltd of any errors or send in suggestions for improvement. All communications will be carefully considered for future printings of this and other manuals, certainly if you have any question about the machine, please contact with our team by dialing technical support phone, sending email, or any methods you want, etc. Our contact information as bellow:

Please contact with:

DINGLI AWP INDIA PRIVATE LIMITED

Phone: +91-98846 48464

Email: support@dinglisaarc.com

Table of Contents

Section 1 Chassis

101.1	Steer Linkage and Wheels Installation	2
102.1	Steer Linkage and Wheels Assembly.....	4
103.1	Right Tray Door Installation	7
104.1	Right Tray Assembly.....	9
105.1	Motor Controller Assembly 2	11
106.1	Hydraulic Tank Assembly	12
107.1	Pump Motor Assembly	15
108.1	Left Tray Door Installation.....	16
109.1	Left Tray Assembly	18
110.1	Motor Controller Assembly 3	22
111.1	Motor Controller Assembly 1.....	23
112.1	Manual Pump Assembly	25
113.1	Function Manifold Assembly.....	26
114.1	Ground Control Installation.....	27
115.1	Ground Control Box Assembly	28
116.1	Outriggers Assembly.....	31
117.1	Ladder and Chassis Accessory Installation.....	34
118.1	Outrigger Plate (Option).....	37

Section 2 Scissor

201.1	Scissor Arms Installation (JCPT2223DC)	39
201.2	Scissor Arms Installation (JCPT1923DC)	41
202.1	Scissor Arm pin joint A	43
203.1	Scissor Arm pin joint B	44
204.1	Scissor Arm pin joint C	46
205.1	Scissor Arm pin joint D	47
206.1	Scissor Arm pin joint E	48
207.1	Scissor Arm pin joint F	49
208.1	Scissor Arm pin joint G.....	50
209.1	Scissor Arm pin joint H.....	51
210.1	Platform Slider Assembly	52
211.1	Lift cylinder and Scissor Accessory Installation (JCPT2223DC).....	53
211.2	Lift cylinder and Scissor Accessory Installation (JCPT1923DC).....	55
212.1	Rotary Sensor Assembly.....	57

Section 3 Platform

301.1	Main Platform Assembly.....	60
302.1	Platform Extension Assembly.....	63
303.1	Platform Control Box Assembly.....	66
304.1	Top Telescopic Cylinder Assembly	67
305.1	Platform Safety Rings (Option)	69
306.1	Protective Device Assembly (Option).....	71
307.1	Footswitch Installation (Option).....	73

Section 4 Hydraulic System

401.1	Lift Cylinder Assembly	75
402.1	Left Outrigger Cylinder Assembly.....	77
403.1	Right Outrigger Cylinder Assembly	79
404.1	Function Manifold	81
404.2	Function Manifold	83
404.3	Function Manifold	85
405.1	Counterbalance Manifold Assembly.....	87
406.1	Hydraulic Hoses and Fittings.....	88

Section 5 Electrical System

501.1	Electrical Harness	92
502.1	Power to Platform	95

Section 6 Decal

601.1	Decals with Words.....	98
602.1	Decals with Symbols	103

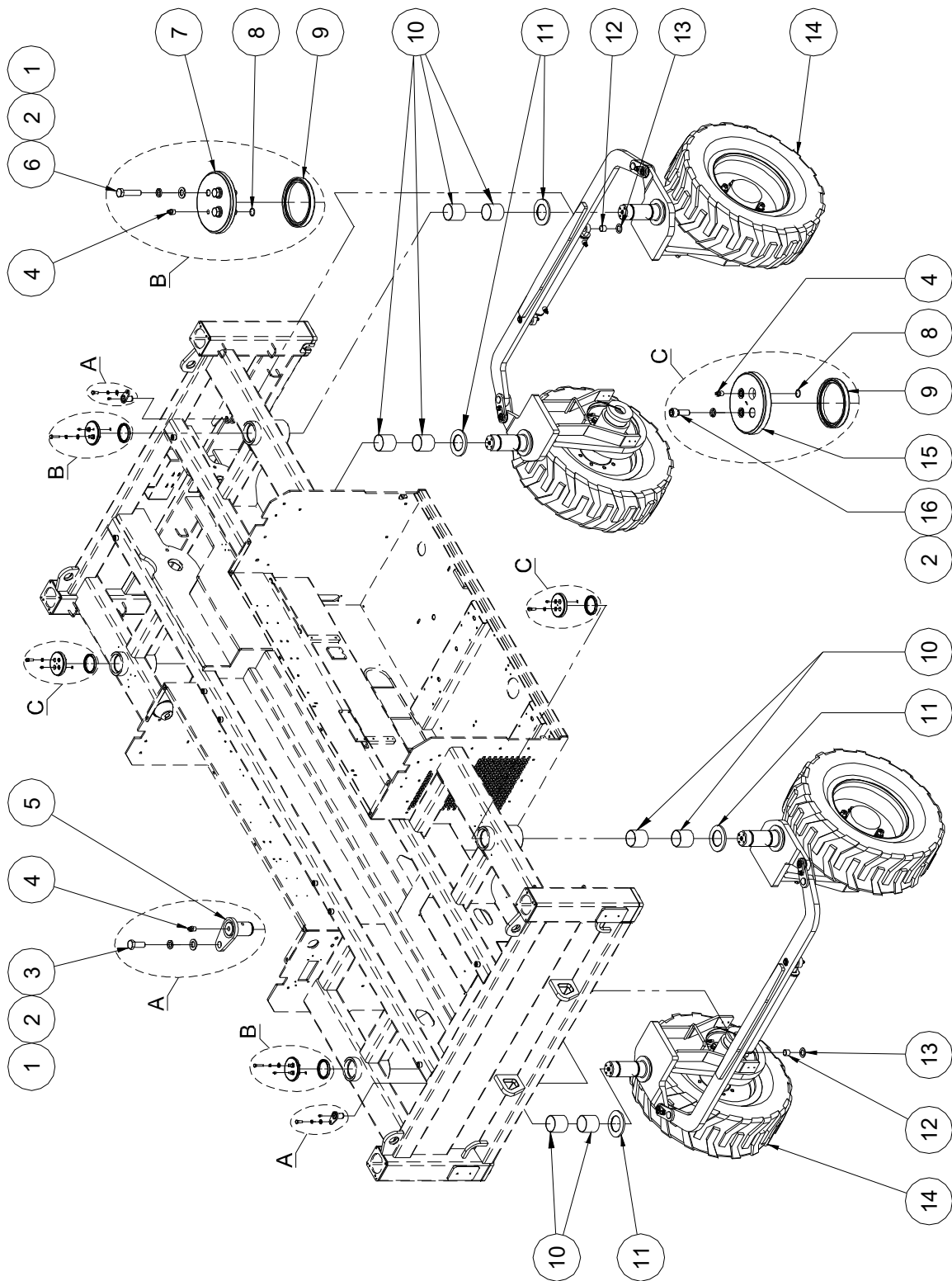
Section 7 Automatic Lubrication Systems

701.1	Automatic Lubrication Systems - Chassis Components	109
702.1	Automatic Lubrication Systems - Scissor Components (JCPT2223DC)	111
703.1	Automatic Lubrication Systems - Hoses and Fittings (JCPT2223DC)	115
704.1	Automatic Lubrication Systems - Scissor Arms Installation (JCPT2223DC) ..	119
705.1	Automatic Lubrication Systems - Scissor Arm pin joint A.....	121
706.1	Automatic Lubrication Systems - Scissor Arm pin joint B.....	122
707.1	Automatic Lubrication Systems - Scissor Arm pin joint C.....	124
708.1	Automatic Lubrication Systems - Scissor Arm pin joint D.....	125
709.1	Automatic Lubrication Systems - Scissor Arm pin joint E.....	126
710.1	Automatic Lubrication Systems - Scissor Arm pin joint F	127
711.1	Automatic Lubrication Systems - Scissor Arm pin joint G.....	128
712.1	Automatic Lubrication Systems - Scissor Arm pin joint H.....	129

713.1 Automatic Lubrication Systems - Lift cylinder and Scissor Accessory
Installation (JCPT2223DC).....130

Section 1 Chassis

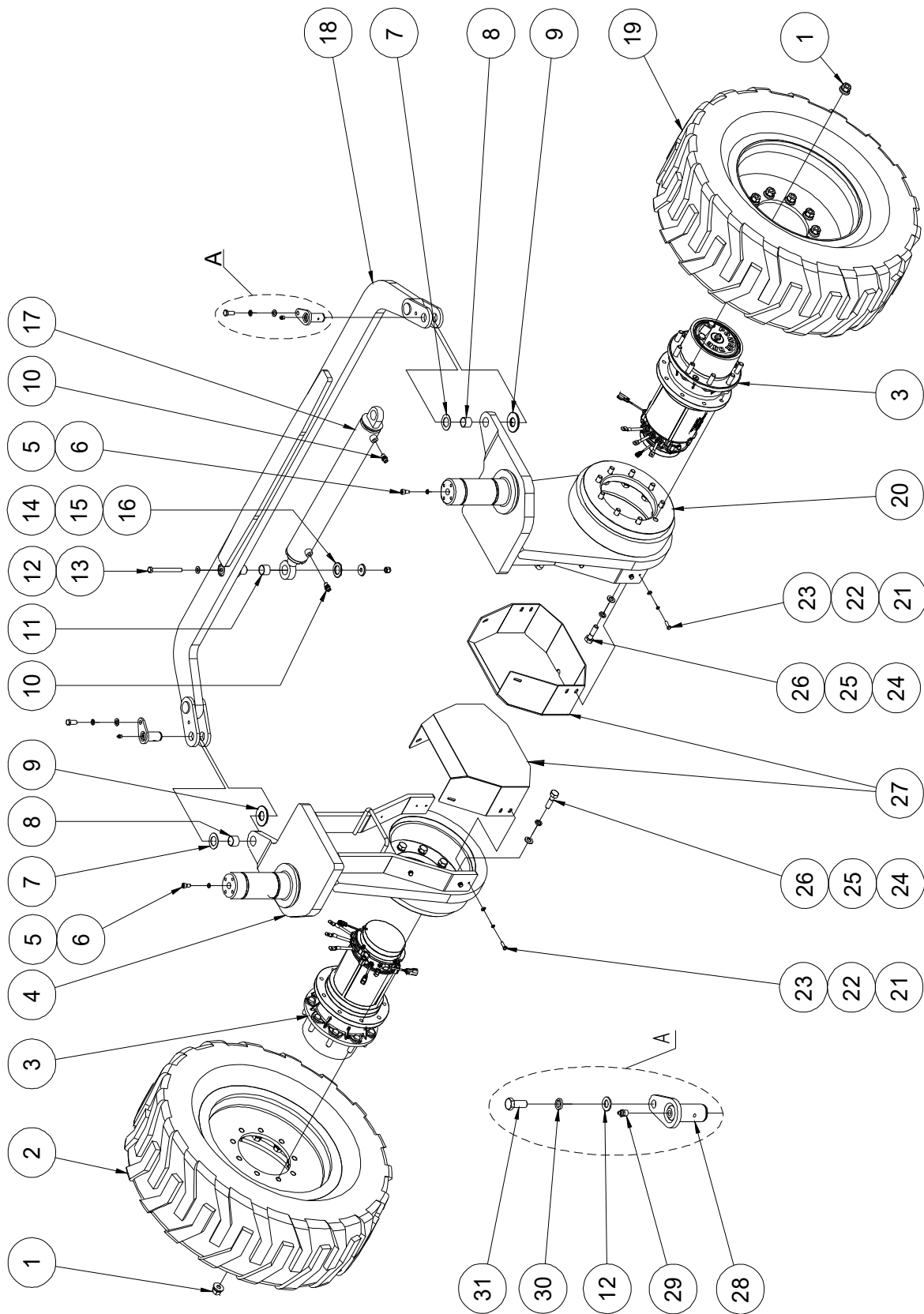
101.1 Steer Linkage and Wheels Installation



101.1 Steer Linkage and Wheels Installation

Item	Part No.	Description	Qty.
1	00000814	Washer GB/T 97.1 12	8
2	00000815	Washer GB/T 93 12	14
3	00002059	Bolt GB/T 5783 M12×30	2
4	00004483	Grease nipple GB/T 1152 M10×1	6
5	10010151	Pin	2
6	00001856	Bolt GB/T 5783 M12×50	6
7	10011489	Cover	2
8	00006127	O-ring GB/T 3452.1-14×1.8	4
9	00006126	Seal GB/T 13871.1 FB 90 110 12 III	4
10	00006140	8812-909590A Bearing	4
11	10010961	Washer	4
12	00000376	8812-303425 Bearing	1
13	00004610	8832-32 Bearing	6
14		Steer linkage and wheels assembly (refer to 102.1)	2
15	10011488	Cover	2
16	00006425	Screw GB/T 70.1 M12×35	6

102.1 Steer Linkage and Wheels Assembly



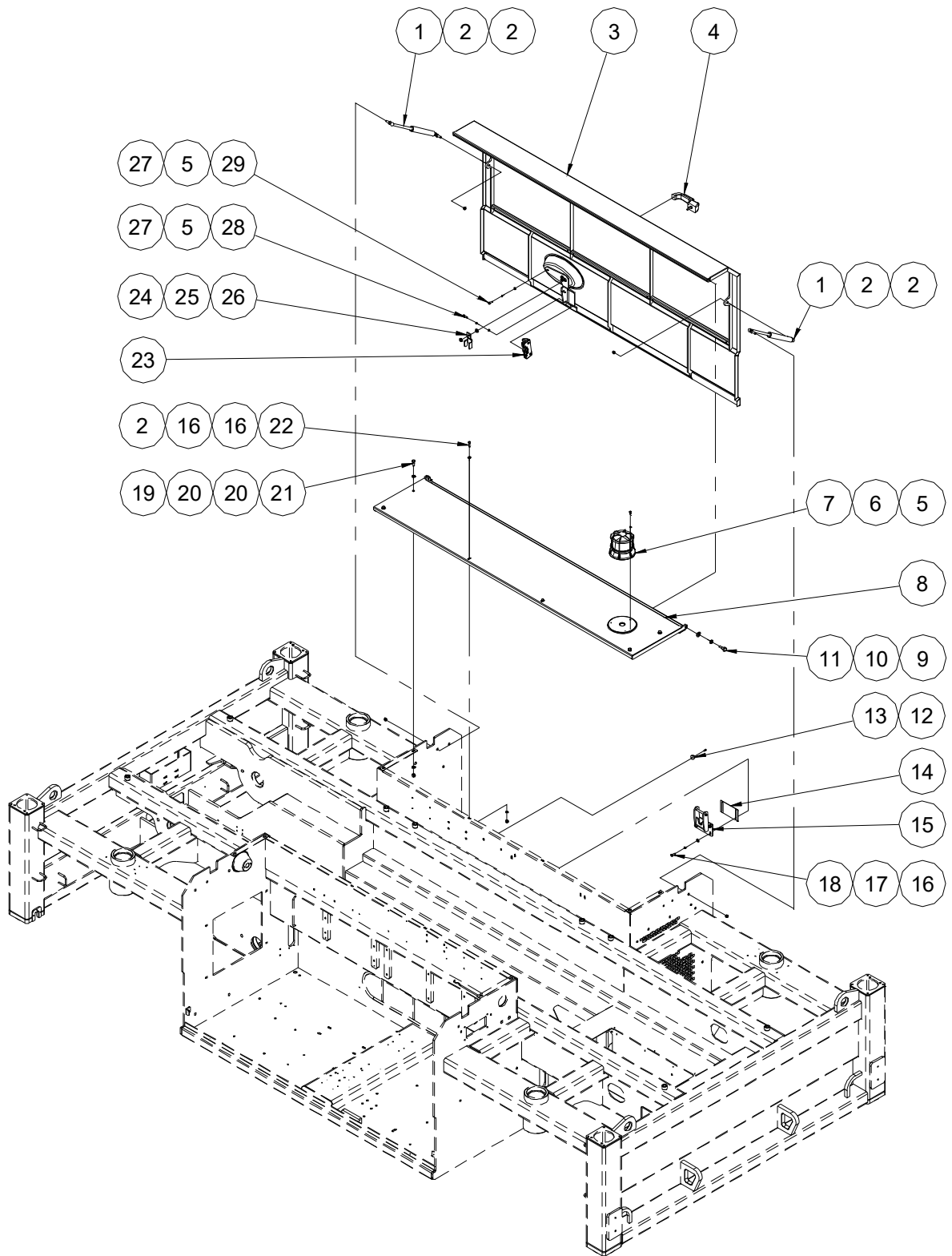
102.1 Steer Linkage and Wheels Assembly

Item	Part No.	Description	Qty.
1	00002274	5/8-18UNF Nut	18
2	00006318	Wheel (black)	1
	00006694	Wheel (grey)	1
3	00006198	Drive motor assembly	2
--	00006199	Reducer	2
--	10011238	Motor	2
--	00006313	Brake	2
4	10010177	Steer yoke weldment	1
5	00000679	Washer GB/T 93 10	2
6	00002249	Screw GB/T 70.1 M10×20	2
7	00004610	8832-32 Bearing	2
8	00006147	8812-303425A Bearing	3
9	10010281	Washer	2
10	00001282	Straight fitting	2
11	00000376	8812-303425 Bearing	1
12	00000814	Washer GB/T 97.1 12	3
13	00002012	Bolt GB/T 5782 M12×130	1
14	10010963	Washer	1
15	00001249	Nut GB/T 6182 M12	1
16	10013519	Washer	1
17	10014153	Steer cylinder assembly (without seal kit)	1
--	00007234	Seal kit	1
18	10010952	Tie rod weldment	1
19	00006319	Wheel (black)	1
	00006695	Wheel (grey)	1
20	10010179	Steer yoke weldment	1
21	00000608	Washer GB/T 97.1 8	12
22	00000609	Washer GB/T 93 8	12
23	00000993	Bolt GB/T 5783 M8×25	12

102.1 Steer Linkage and Wheels Assembly

Item	Part No.	Description	Qty.
24	00000997	Washer GB/T 97.1 16	18
25	00001035	Washer GB/T 93 16	18
26	00001234	5/8-11×2 1/4" Bolt ANSI B18.2.1	18
27	10019824	Motor cover	2
28	10010967	Pin	2
29	00004483	Grease nipple GB/T 1152 M10×1	2
30	00000815	Washer GB/T 93 12	2
31	00002059	Bolt GB/T 5783 M12×30	2

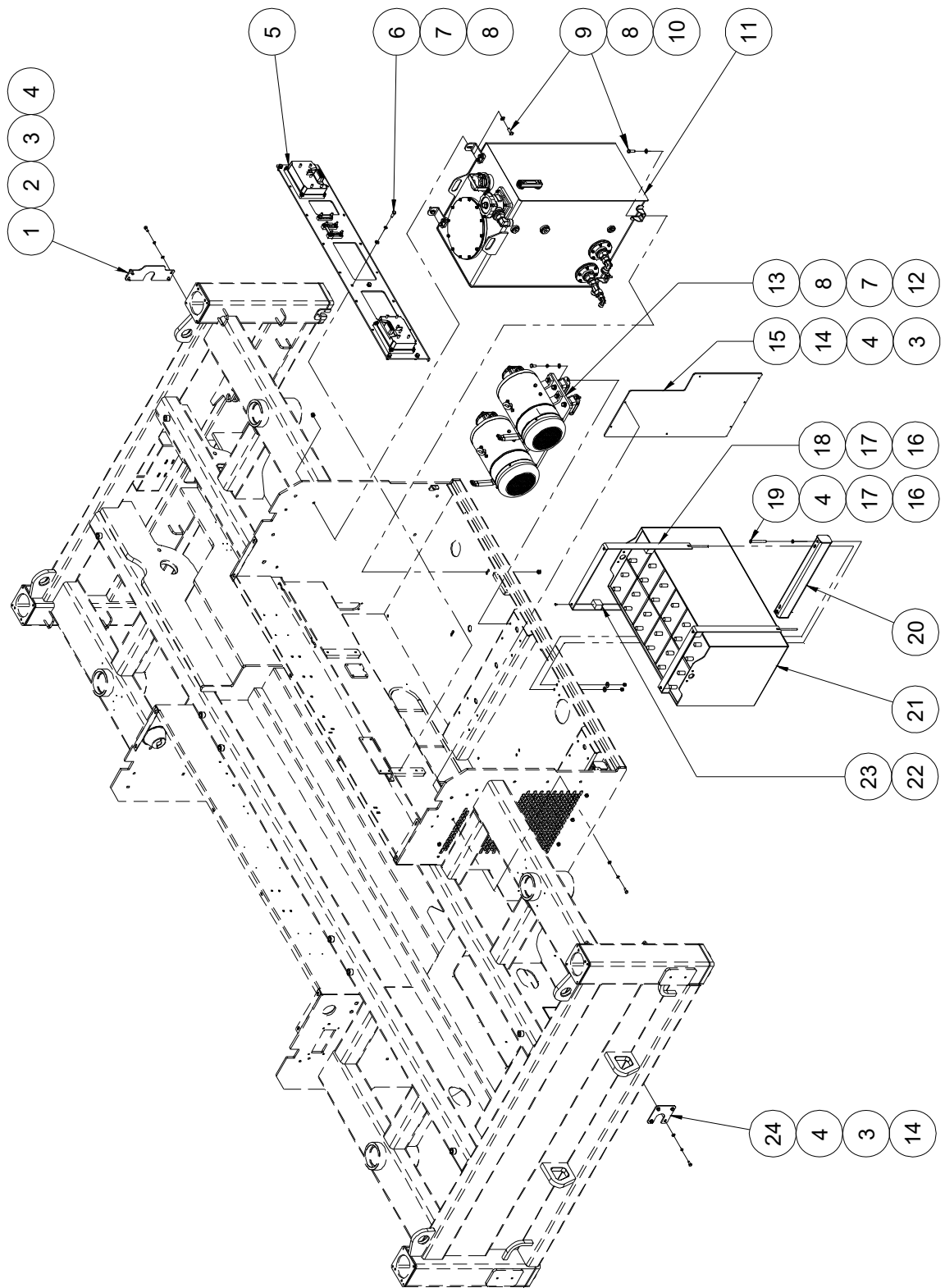
103.1 Right Tray Door Installation



103.1 Right Tray Door Installation

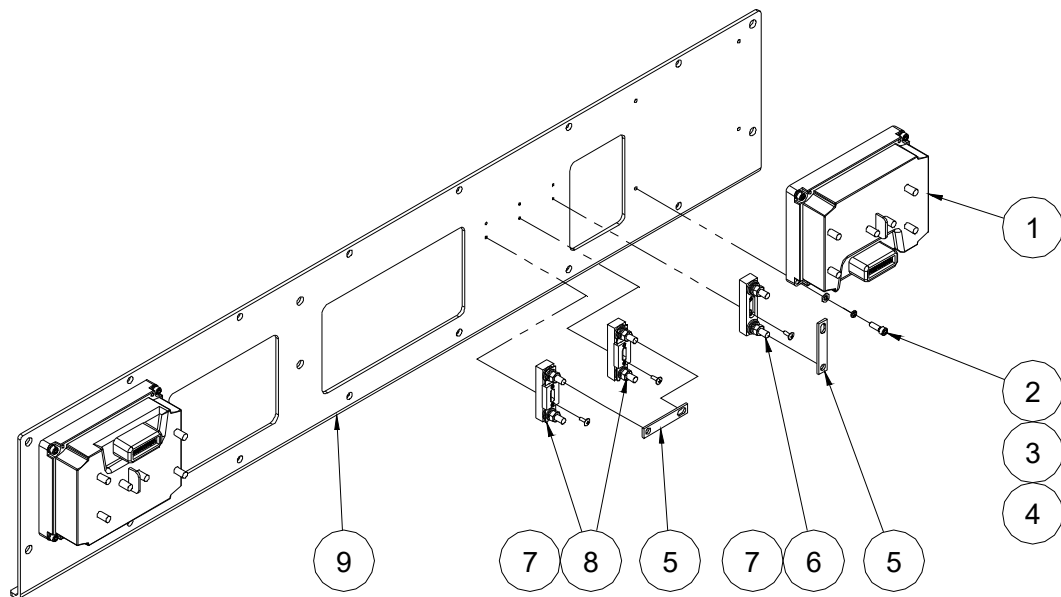
Item	Part No.	Description	Qty.
1	10010148	Gas shock	2
2	00001163	Nut GB/T 6182 M8	6
3	10010185	Right door	1
4	50000524	Handle	1
5	00000621	Washer GB/T 93 6	8
6	00002029	Screw GB/T 70.1 M6×12	3
7	00004883	Beacon	1
8	10010199	Cover	1
9	00001043	Washer GB/T 97.1 14	2
10	00001258	Washer GB/T 93 14	2
11	10010215	Pin	2
12	00002026	Screw GB/T 818 M4×10 - H	2
13	10000376	Bumper	2
14	10010444	Adjusting plate	1
15	10010254	Lock clasp	1
16	00000608	Washer GB/T 97.1 8	8
17	00000609	Washer GB/T 93 8	4
18	00000875	Bolt GB/T 5783 M8×20	4
19	00000623	Nut GB/T 6182 M10	4
20	00000615	Washer GB/T 97.1 10	8
21	00000678	Bolt GB/T 5783 M10×25	4
22	00000993	Bolt GB/T 5783 M8×25	2
23	10000481	Latch (left)	1
24	50000479	Nut	1
25	50000478	Threaded sleeve	1
26	10016135	Bracket	1
27	00000620	Washer GB/T 97.1 6	5
28	00000619	Bolt GB/T 5783 M6×25	2
29	00000743	Bolt GB/T 5783 M6×20	3

104.1 Right Tray Assembly



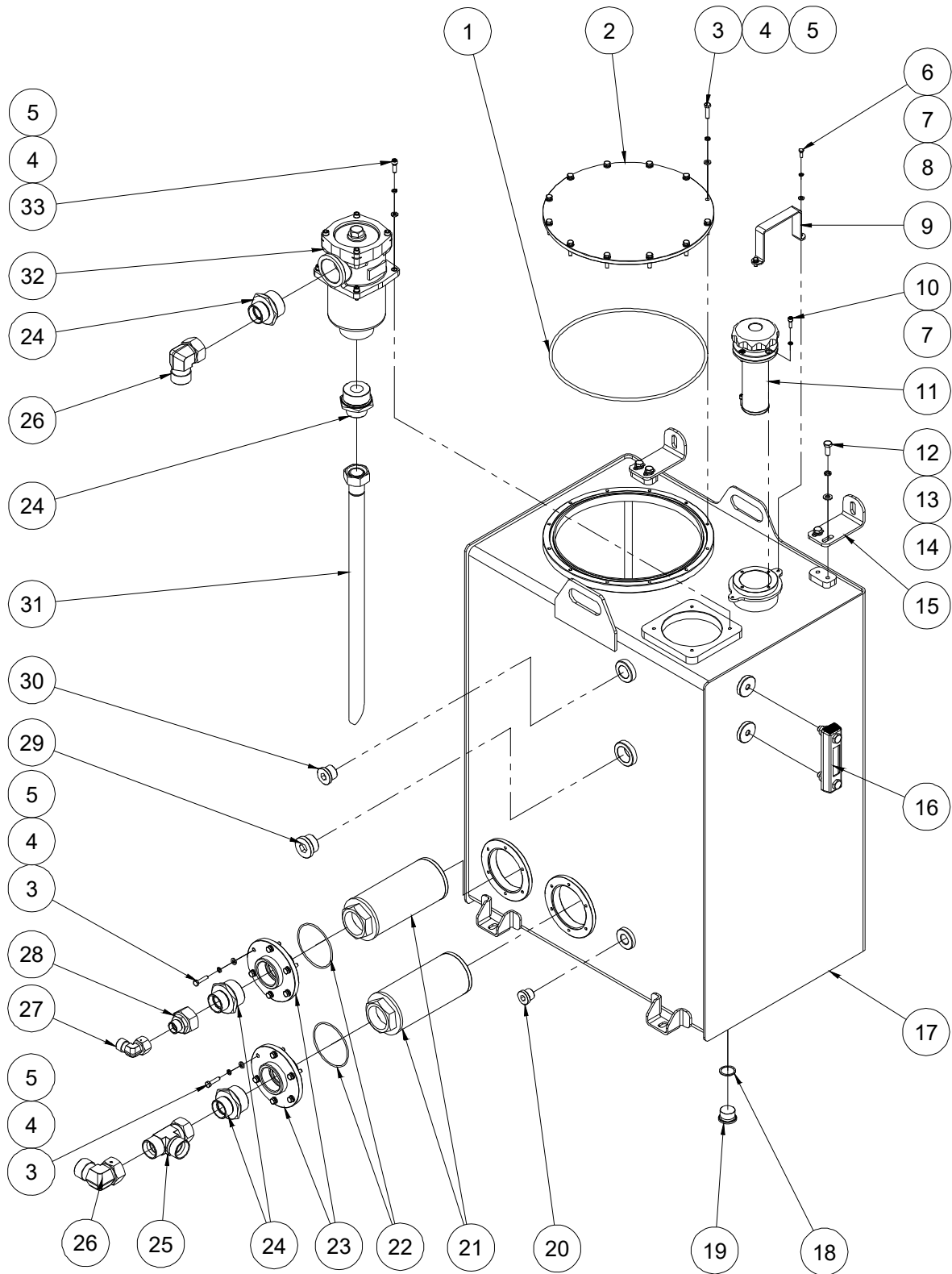
104.1 Right Tray Assembly

Item	Part No.	Description	Qty.
1	10018688	Cover	1
2	00001061	Screw GB/T 70.1 M8×20	4
3	00000609	Washer GB/T 93 8	15
4	00000608	Washer GB/T 97.1 8	19
5		Motor controller assembly 2 (refer to 105.1)	1
6	00000678	Bolt GB/T 5783 M10×25	6
7	00000679	Washer GB/T 93 10	14
8	00000615	Washer GB/T 97.1 10	18
9	00000683	Bolt GB/T 5783 M10×30	4
10	00000623	Nut GB/T 6182 M10	4
11		Hydraulic tank assembly (refer to 106.1)	1
12	00000674	Bolt GB/T 5783 M10×20	8
13		Pump motor assembly (refer to 107.1)	1
14	00000875	Bolt GB/T 5783 M8×20	11
15	10010203	Cover	1
16	00001163	Nut GB/T 6182 M8	8
17	00002000	Washer GB/T 96.1 8	8
18	10012182	Battery strap	2
19	00002892	Bolt GB/T 5782 M8×90	4
20	10012185	Battery support	2
21	10013774	Battery unit	1
22	00005259	Screw GB/T 819 M4×14 - H	4
23	10010479	Rubber block	4
24	10013282	Cover	1

105.1 Motor Controller Assembly 2**105.1 Motor Controller Assembly 2**

Item	Part No.	Description	Qty.
1	00000641	Motor controller	2
2	00000774	Screw GB/T 70.1 M6×20	8
3	00000621	Washer GB/T 93 6	8
4	00000620	Washer GB/T 97.1 6	8
5	50000099	Copper bar 3	2
6	00000757	Fuse seat	1
7	00001003	Screw GB/T 973 M4×12	6
8	00001031	350A Fuse assembly	2
--	00000758	350A Fuse	1
--	00000757	Fuse seat	1
9	10013275	Mounting plate	1

106.1 Hydraulic Tank Assembly



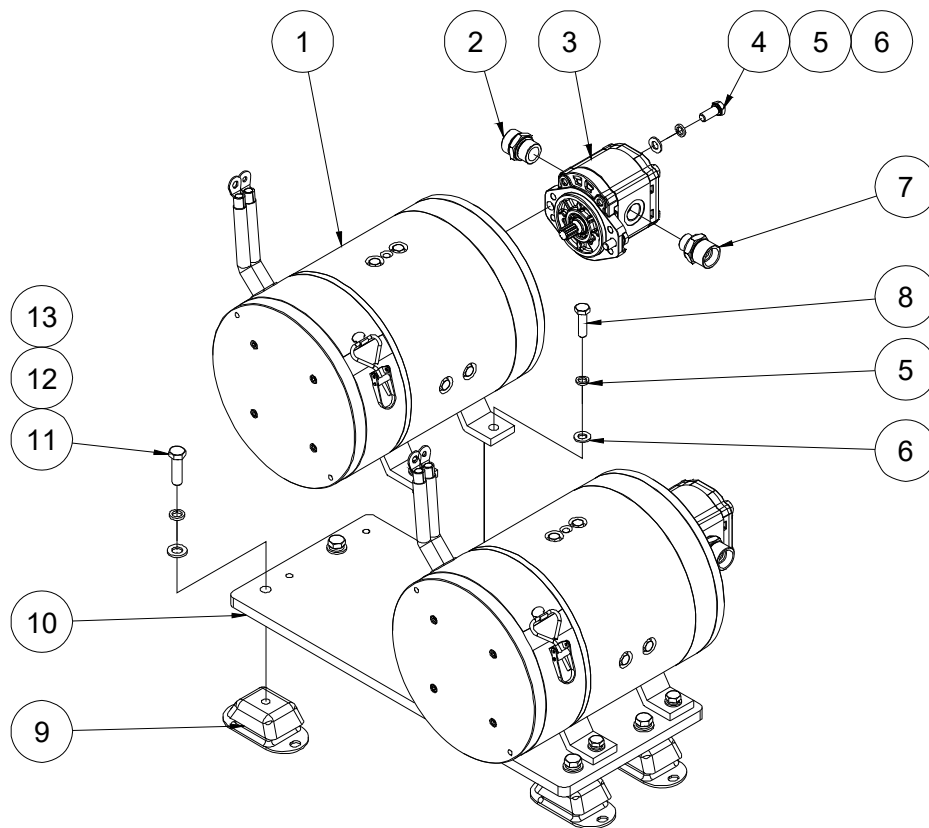
106.1 Hydraulic Tank Assembly

Item	Part No.	Description	Qty.
1	00004412	O-ring GB/T 3452.1-272×5.3	1
2	10011071	Cover	1
3	00000619	Bolt GB/T 5783 M6×25	24
4	00000621	Washer GB/T 93 6	28
5	00000620	Washer GB/T 97.1 6	28
6	00002246	Bolt GB/T 5783 M5×12	2
7	00000606	Washer GB/T 93 5	6
8	00000605	Washer GB/T 97.1 5	2
9	10013558	Keeper bar	1
10	00001246	Screw GB/T 70.1 M5×16	4
11	00000520	Air cleaner	1
12	00000875	Bolt GB/T 5783 M8×20	4
13	00000609	Washer GB/T 93 8	4
14	00000608	Washer GB/T 97.1 8	4
15	10011836	Bracket	2
16	00001873	Level gauge	1
17	10013570	Hydraulic tank weldment	1
18	50000523	Washer	1
19	50000197	G3/4 Plug	1
20	00001076	Plug VSTI20×1.5ED	1
21	00001872	Suction filter	2
22	00001536	O-ring As568A 82.22×2.62	2
23	50001442	Flange	2
24	00003964	Straight fitting	4
25	00001242	Tee fitting	1
26	00001837	Elbow	2
27	00001835	Elbow	1
28	00003844	Straight fitting	1
29	00001080	Plug VSTI33×2ED	1

106.1 Hydraulic Tank Assembly

Item	Part No.	Description	Qty.
30	00001078	Plug VSTI 26×1.5ED	1
31	10011561	Pipe	1
32	00001869	Return filter	1
--	00004706	Filter element	1
33	00000774	Screw GB/T 70.1 M6×20	4

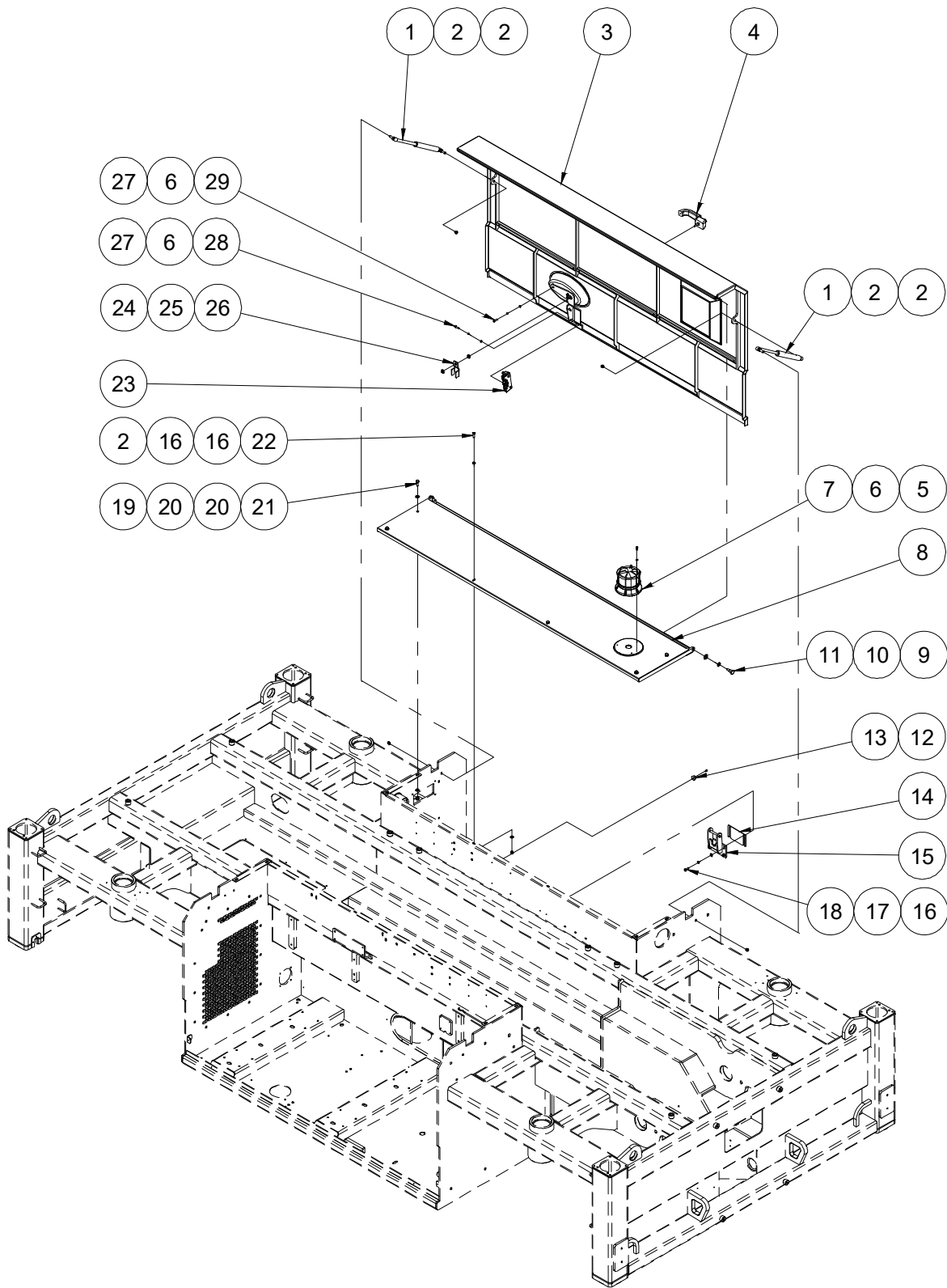
107.1 Pump Motor Assembly



107.1 Pump Motor Assembly

Item	Part No.	Description	Qty.
1	00007126	Motor	2
2	00001512	Straight fitting	2
3	00005728	Pump	2
4	00000678	Bolt GB/T 5783 M10×25	4
5	00000679	Washer GB/T 93 10	12
6	00000615	Washer GB/T 97.1 10	12
7	00001748	Straight fitting	2
8	00000684	Bolt GB/T 5783 M10×35	8
9	00002162	Absorber	4
10	10010187	Motor bracket	1
11	00001055	Bolt GB/T 5783 M12×40	4
12	00000815	Washer GB/T 93 12	4
13	00000814	Washer GB/T 97.1 12	4

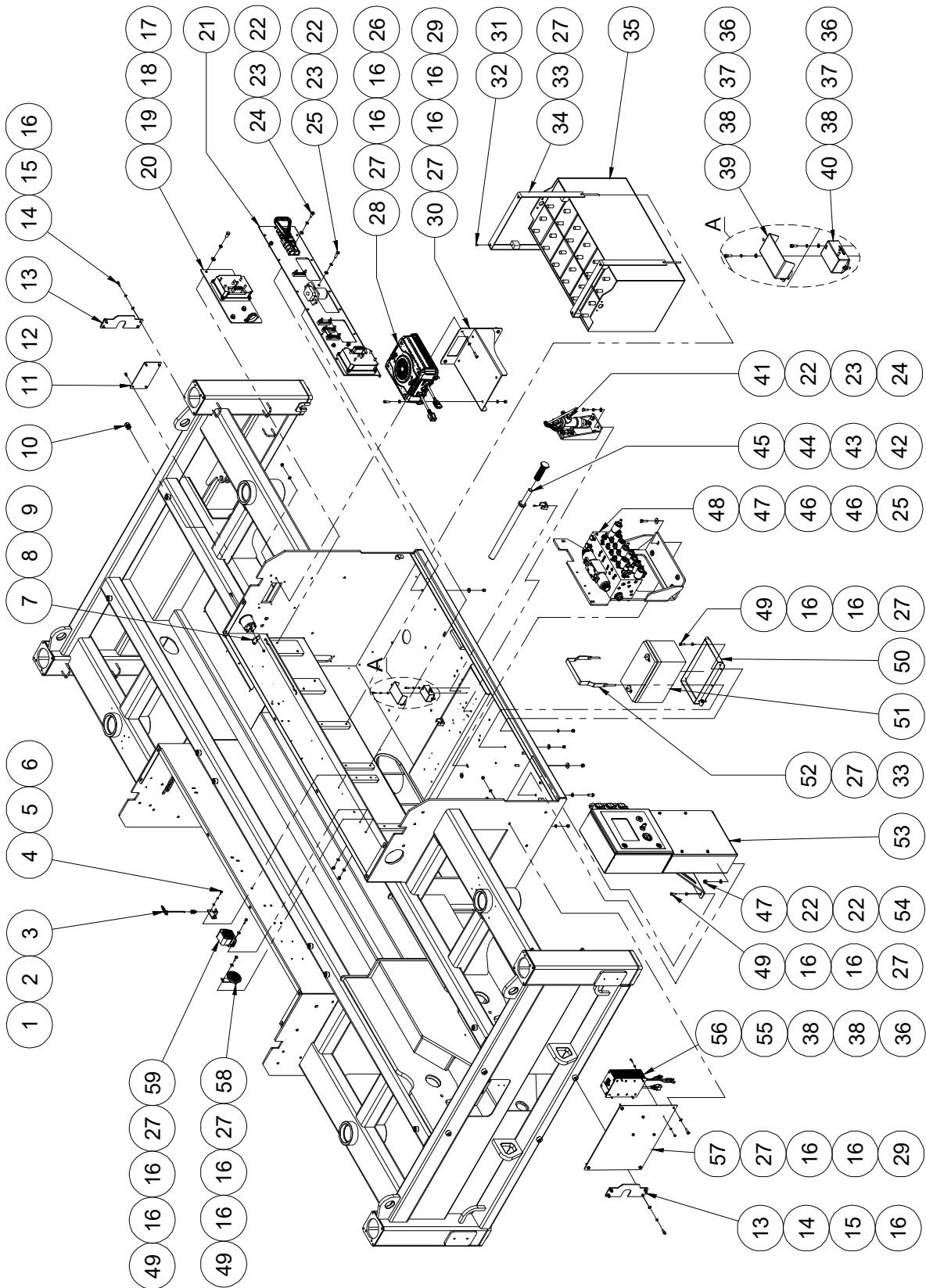
108.1 Left Tray Door Installation



108.1 Left Tray Door Installation

Item	Part No.	Description	Qty.
1	10010148	Gas shock	2
2	00001163	Nut GB/T 6182 M8	6
3	10010205	Left door	1
4	50000524	Handle	1
5	00002029	Screw GB/T 70.1 M6×12	3
6	00000621	Washer GB/T 93 6	8
7	00004883	Beacon	1
8	10010199	Cover	1
9	00001043	Washer GB/T 97.1 14	2
10	00001258	Washer GB/T 93 14	2
11	10010215	Pin	2
12	00002026	Screw GB/T 818 M4×10 - H	2
13	10000376	Bumper	2
14	10010444	Adjusting plate	1
15	10010254	Lock clasp	1
16	00000608	Washer GB/T 97.1 8	8
17	00000609	Washer GB/T 93 8	4
18	00000875	Bolt GB/T 5783 M8×20	4
19	00000623	Nut GB/T 6182 M10	4
20	00000615	Washer GB/T 97.1 10	8
21	00000678	Bolt GB/T 5783 M10×25	4
22	00000993	Bolt GB/T 5783 M8×25	2
23	10000481	Latch (left)	1
24	50000479	Nut	1
25	50000478	Threaded sleeve	1
26	10016135	Bracket	1
27	00000620	Washer GB/T 97.1 6	5
28	00000619	Bolt GB/T 5783 M6×25	2
29	00000743	Bolt GB/T 5783 M6×20	3

109.1 Left Tray Assembly



109.1 Left Tray Assembly

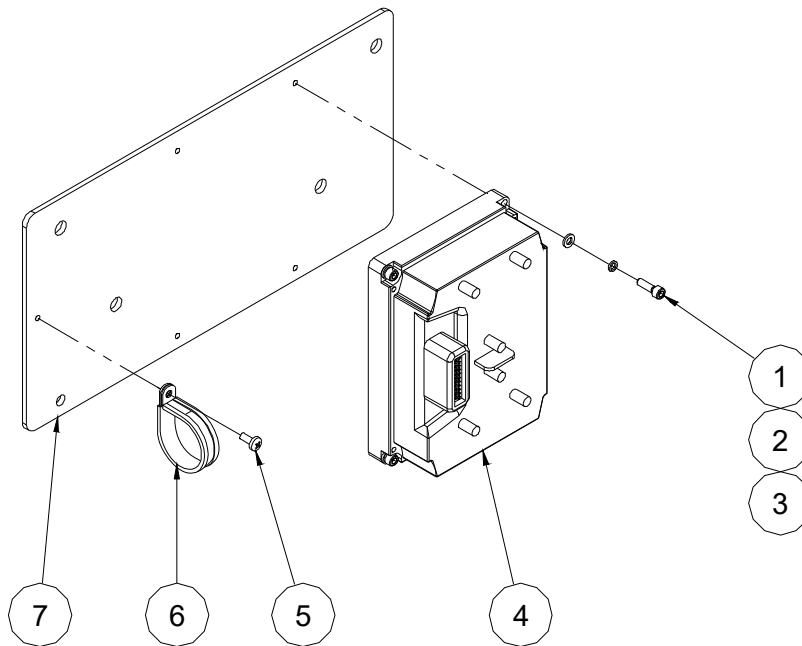
Item	Part No.	Description	Qty.
1	10012522	Bracket	1
2	00001825	Water-proof joint M12	1
3	00006828	Wrench GB/T 5356-3	1
4	00000745	Bolt GB/T 5783 M6×12	2
5	00000621	Washer GB/T 93 6	2
6	00000620	Washer GB/T 97.1 6	2
7	10000537	Half-round batten	2
8	00000612	Screw GB/T 818 M5×20 - H	4
9	00002573	Nut GB/T 6183.1 M5	4
10	00001828	Water-proof joint M20	2
11	10010306	Cover	1
12	00001185	Screw GB/T 70.2 M8×12	4
13	10013278	Cover	2
14	00001061	Screw GB/T 70.1 M8×20	8
15	00000609	Washer GB/T 93 8	8
16	00000608	Washer GB/T 97.1 8	50
17	00000816	Bolt GB/T 5783 M12×25	4
18	00000815	Washer GB/T 93 12	4
19	00000814	Washer GB/T 97.1 12	4
20		Motor controller assembly 3 (refer to 110.1)	1
21		Motor controller assembly 1 (refer to 111.1)	1
22	00000615	Washer GB/T 97.1 10	17
23	00000679	Washer GB/T 93 10	9
24	00000678	Bolt GB/T 5783 M10×25	7
25	00000684	Bolt GB/T 5783 M10×35	2
26	00002560	Screw GB/T 70.1 M8×30	4
27	00001163	Nut GB/T 6182 M8	27
28	00005371	Charger	1
29	00000995	Bolt GB/T 5783 M8×30	8

109.1 Left Tray Assembly

Item	Part No.	Description	Qty.
30	10010278	Charger bracket weldment	1
31	10010479	Rubber block	4
32	00005259	Screw GB/T 819 M4×14 - H	4
33	00002000	Washer GB/T 96.1 8	6
34	10010466	Battery strap	2
35	10013774	Battery unit	1
36	00001246	Screw GB/T 70.1 M5×16	8
37	00000606	Washer GB/T 93 5	4
38	00000605	Washer GB/T 97.1 5	12
39	10003942	Tilt sensor cover	1
40	00003962	Tilt sensor	1
41		Manual pump assembly (refer to 112.1)	1
42	00001824	Clip 32	2
43	00002002	Screw GB/T 70.1 M4×10	2
44	10004798	Handle grip	1
45	10004795	Handle	1
46	00001028	Washer GB/T 96.1 10	8
47	00000623	Nut GB/T 6182 M10	8
48		Function manifold assembly (refer to 113.1)	1
49	00000993	Bolt GB/T 5783 M8×25	9
50	10010136	Battery box weldment	1
51	00002200	Battery	1
52	10010146	Battery strap	1
53		Ground control installation (refer to 114.1)	1
54	00000683	Bolt GB/T 5783 M10×30	4
55	00000613	Nut GB/T 6182 M5	4
56	00006067	Charger	1
57	10010197	Cover	1
58	00002212	Horn	1

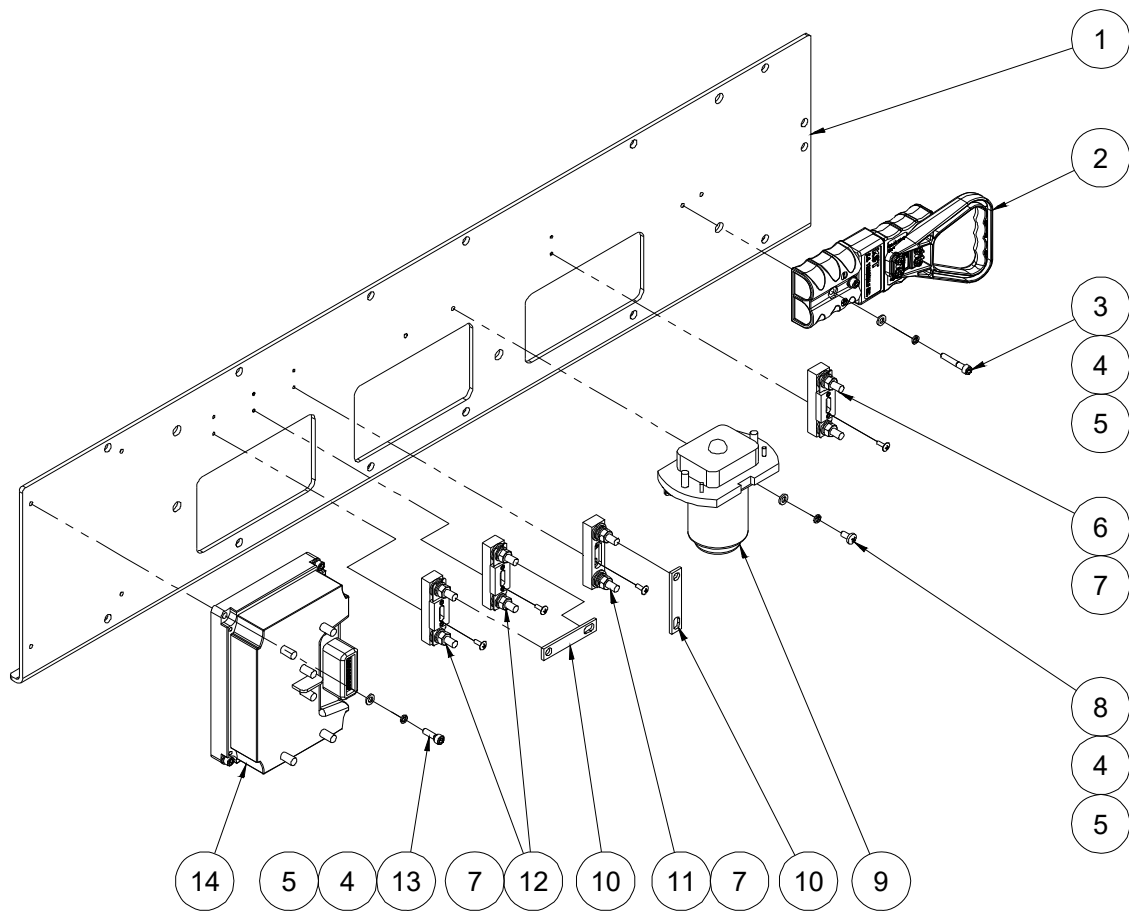
109.1 Left Tray Assembly

Item	Part No.	Description	Qty.
59	00004438	Alarm	1

110.1 Motor Controller Assembly 3**110.1 Motor Controller Assembly 3**

Item	Part No.	Description	Qty.
1	00000774	Screw GB/T 70.1 M6×20	4
2	00000621	Washer GB/T 93 6	4
3	00000620	Washer GB/T 97.1 6	4
4	00000641	Motor controller	1
5	00001231	Screw GB/T 818 M6×14 - H	1
6	10005186	Clamp	1
7	10013274	Mounting plate	1

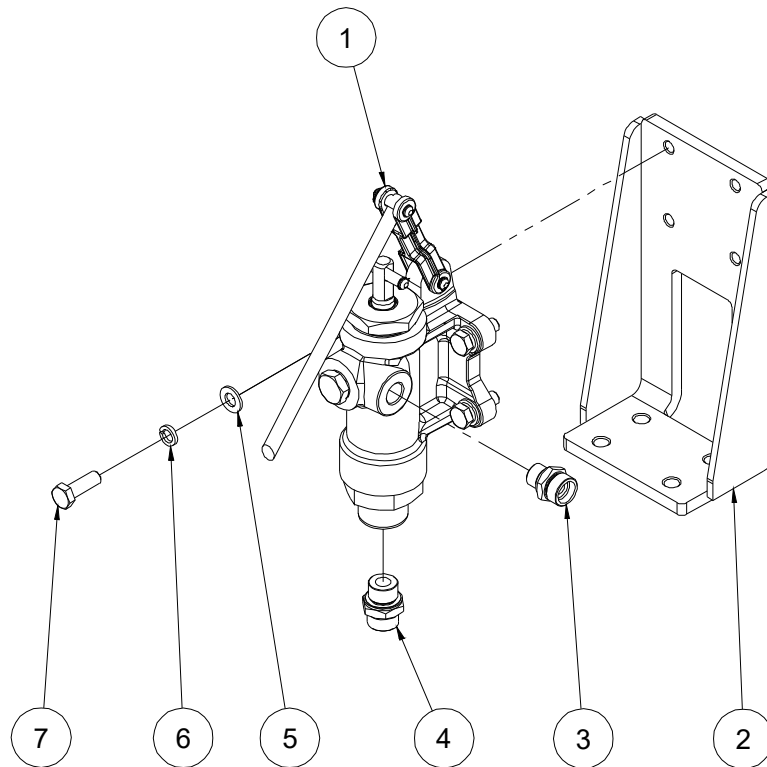
111.1 Motor Controller Assembly 1



111.1 Motor Controller Assembly 1

Item	Part No.	Description	Qty.
1	10010192	Mounting plate	1
2	00006590	Power connector	1
3	00002934	Screw GB/T 70.1 M6×35	2
4	00000621	Washer GB/T 93 6	8
5	00000620	Washer GB/T 97.1 6	8
6	00007081	800A Fuse assembly	1
--	00007082	800A Fuse	1
--	00000757	Fuse seat	1
7	00001003	Screw GB/T 973 M4×12	8
8	00001060	Screw GB/T 818 M6×12 - H	2
9	00005407	DC Contactor	1
10	50000099	Copper bar 3	2
11	00000757	Fuse seat	1
12	00001031	350A Fuse assembly	2
--	00000758	350A Fuse	1
--	00000757	Fuse seat	1
13	00000774	Screw GB/T 70.1 M6×20	4
14	00000641	Motor controller	1

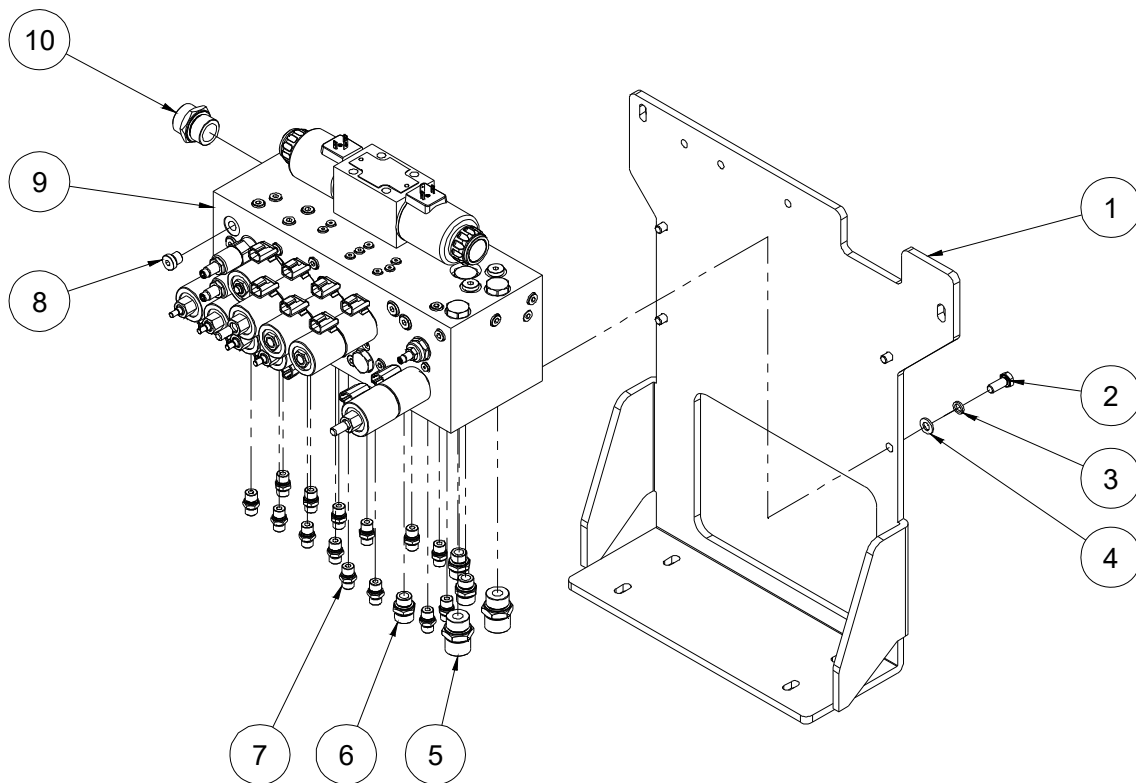
112.1 Manual Pump Assembly



112.1 Manual Pump Assembly

Item	Part No.	Description	Qty.
1	00000315	Manual pump	1
2	10004781	Manual pump bracket	1
3	00001507	Straight fitting	1
4	00001506	Straight fitting	1
5	00000615	Washer GB/T 97.1 10	4
6	00000679	Washer GB/T 93 10	4
7	00000683	Bolt GB/T 5783 M10×30	4

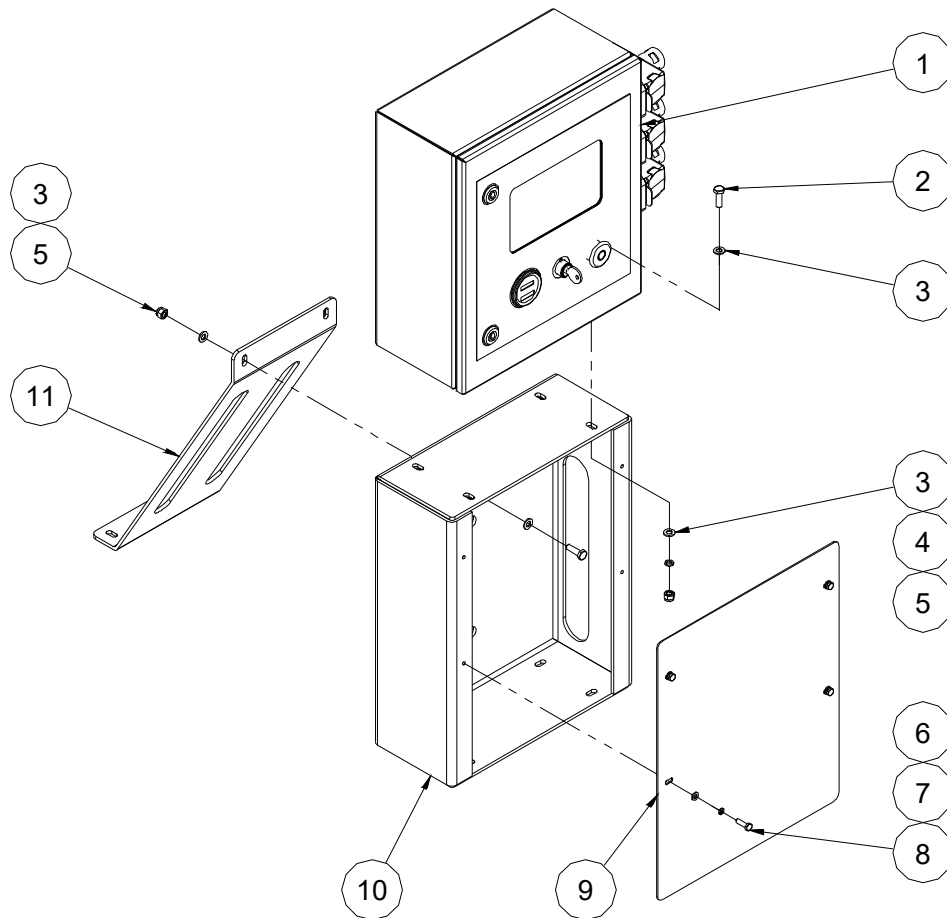
113.1 Function Manifold Assembly



113.1 Function Manifold Assembly

Item	Part No.	Description	Qty.
1	10014297	Function manifold bracket	1
2	00000678	Bolt GB/T 5783 M10×25	4
3	00000679	Washer GB/T 93 10	4
4	00000615	Washer GB/T 97.1 10	4
5	00003696	Straight fitting	2
6	00001264	Straight fitting	3
7	00001282	Straight fitting	14
8	00001073	Plug VST114×1.5ED	1
9		Function manifold (refer to 404.1, 404.2, 404.3)	1
10	00002071	Straight fitting	1

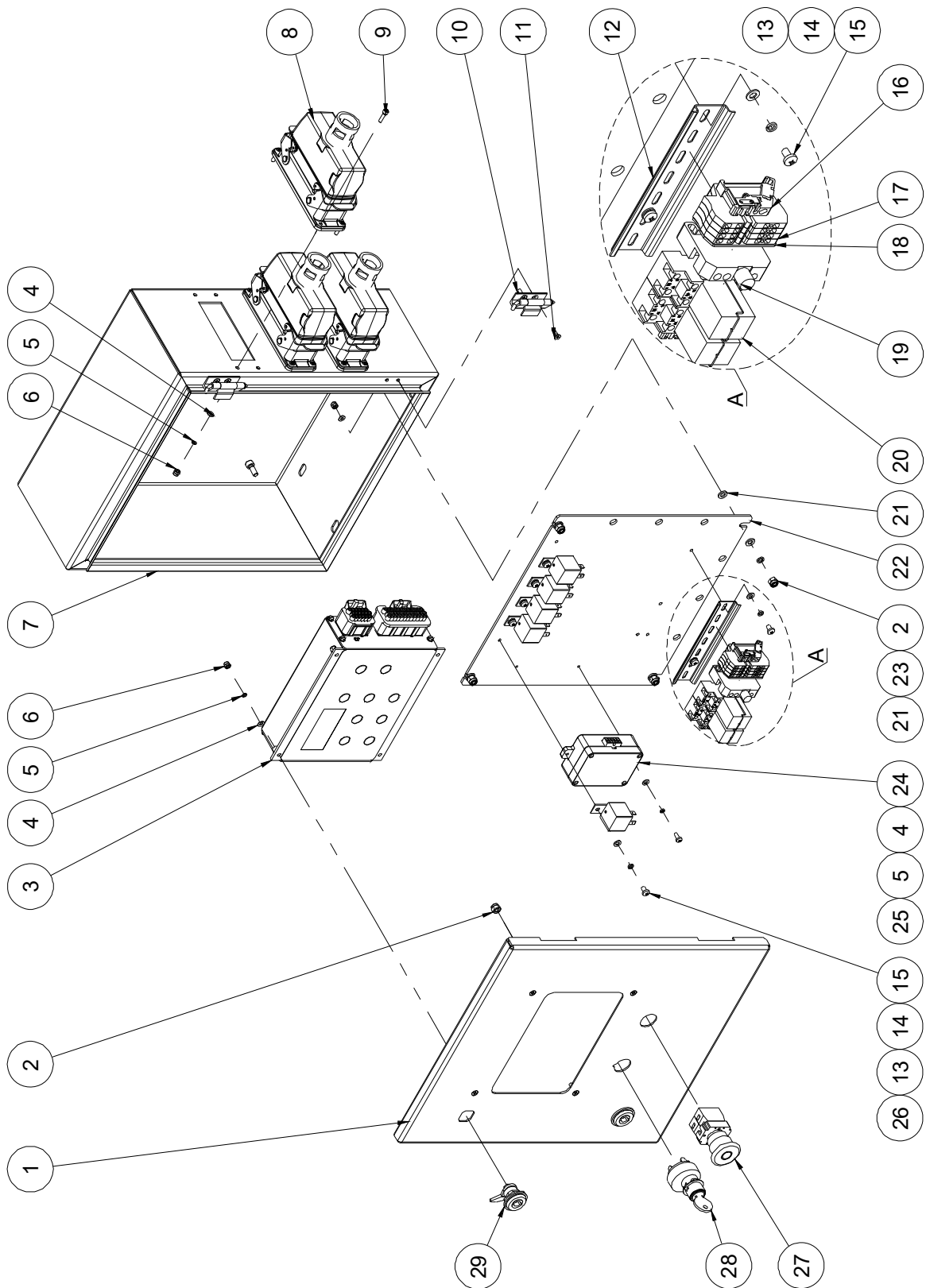
114.1 Ground Control Installation



114.1 Ground Control Installation

Item	Part No.	Description	Qty.
1		Ground control box assembly (refer to 115.1)	1
2	00000993	Bolt GB/T 5783 M8×25	6
3	00000608	Washer GB/T 97.1 8	12
4	00000609	Washer GB/T 93 8	4
5	00001163	Nut GB/T 6182 M8	6
6	00000620	Washer GB/T 97.1 6	4
7	00000621	Washer GB/T 93 6	4
8	00000743	Bolt GB/T 5783 M6×20	4
9	10005205	Cover	1
10	10013765	Ground control box support	1
11	10009589	Bracket	1

115.1 Ground Control Box Assembly



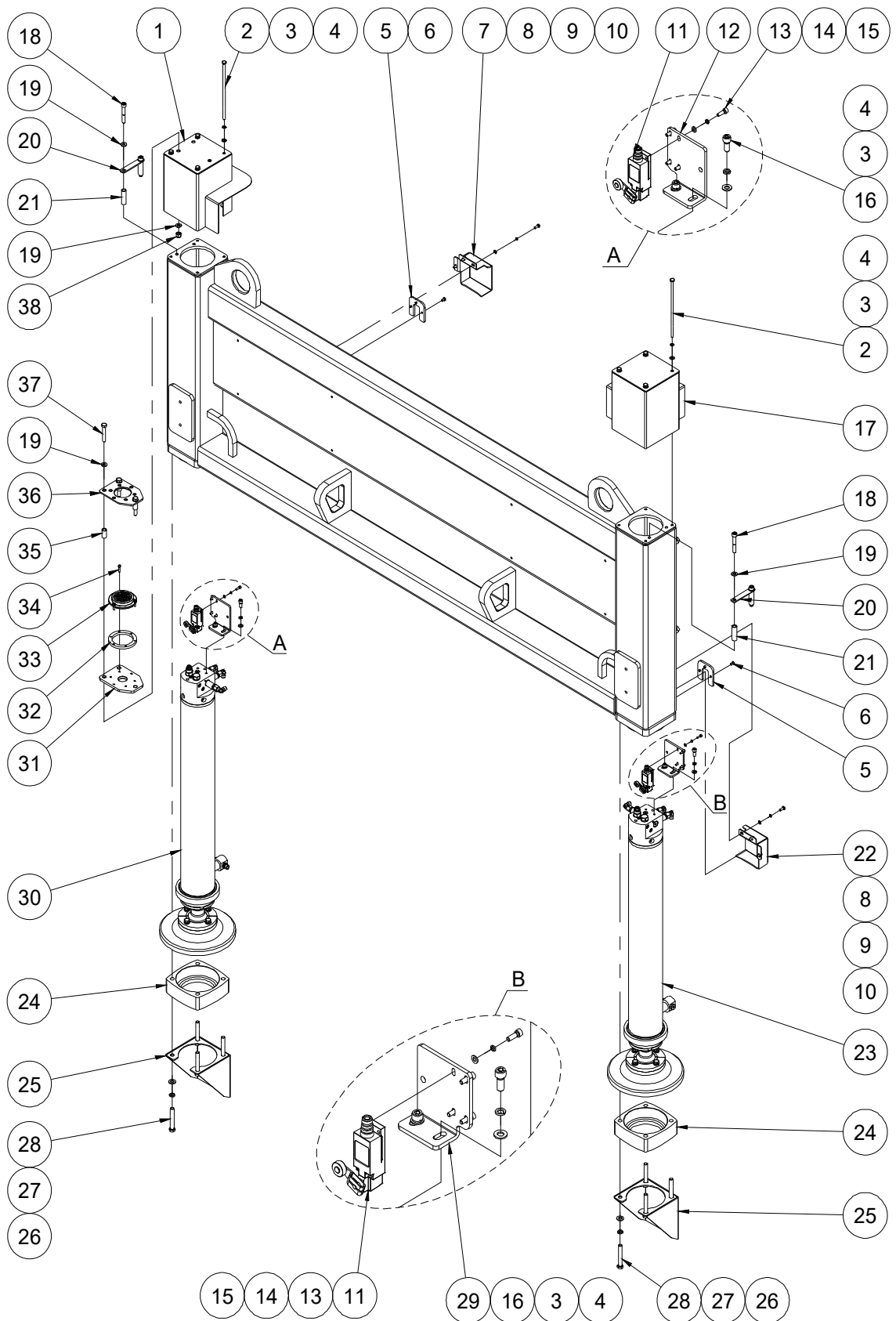
115.1 Ground Control Box Assembly

Item	Part No.	Description	Qty.
1	10016383	Ground control box cover	1
2	00000742	Nut GB/T 889.1 M6	6
3	00007940	Controller	1
4	00000778	Washer GB/T 97.1 4	21
5	00000779	Washer GB/T 93 4	17
6	00001236	Nut GB/T 889.1 M4	20
7	10011476	Ground control box weldment	1
8	00000724	Connector	3
9	00000604	Screw GB/T 70.1 M4×16	12
10	50000217	Hinge	2
11	00005259	Screw GB/T 819 M4×14 - H	4
12	10004977	Terminal rail	1
13	00000605	Washer GB/T 97.1 5	7
14	00000606	Washer GB/T 93 5	7
15	00002391	Screw GB/T 818 M5×8 - H	7
16	00000660	End, Fixation	2
17	00000659	End, Straight	4
18	00002593	End, Plate	1
19	00000661	End, Fuse	1
20	00000647	Relay	2
21	00000620	Washer GB/T 97.1 6	8
22	10013770	Mounting plate	1
23	00000621	Washer GB/T 93 6	4
24	00005449	Load sensor amplifier	1
25	00002026	Screw GB/T 818 M4×10 - H	1
26	00002206	Relay	5
27	00000923	Emergency stop switch	1
--	00000754	Red mushroom head	1
--	00000752	Base with 1 NC contact	1

115.1 Ground Control Box Assembly

Item	Part No.	Description	Qty.
--	00001245	NC contact	1
28	00001243	Key switch (key removable in off position)	1
	00003356	Key switch (key removable in all position)	1
--	00003050	Key	1
29	00001296	Latch, Column	2

116.1 Outriggers Assembly



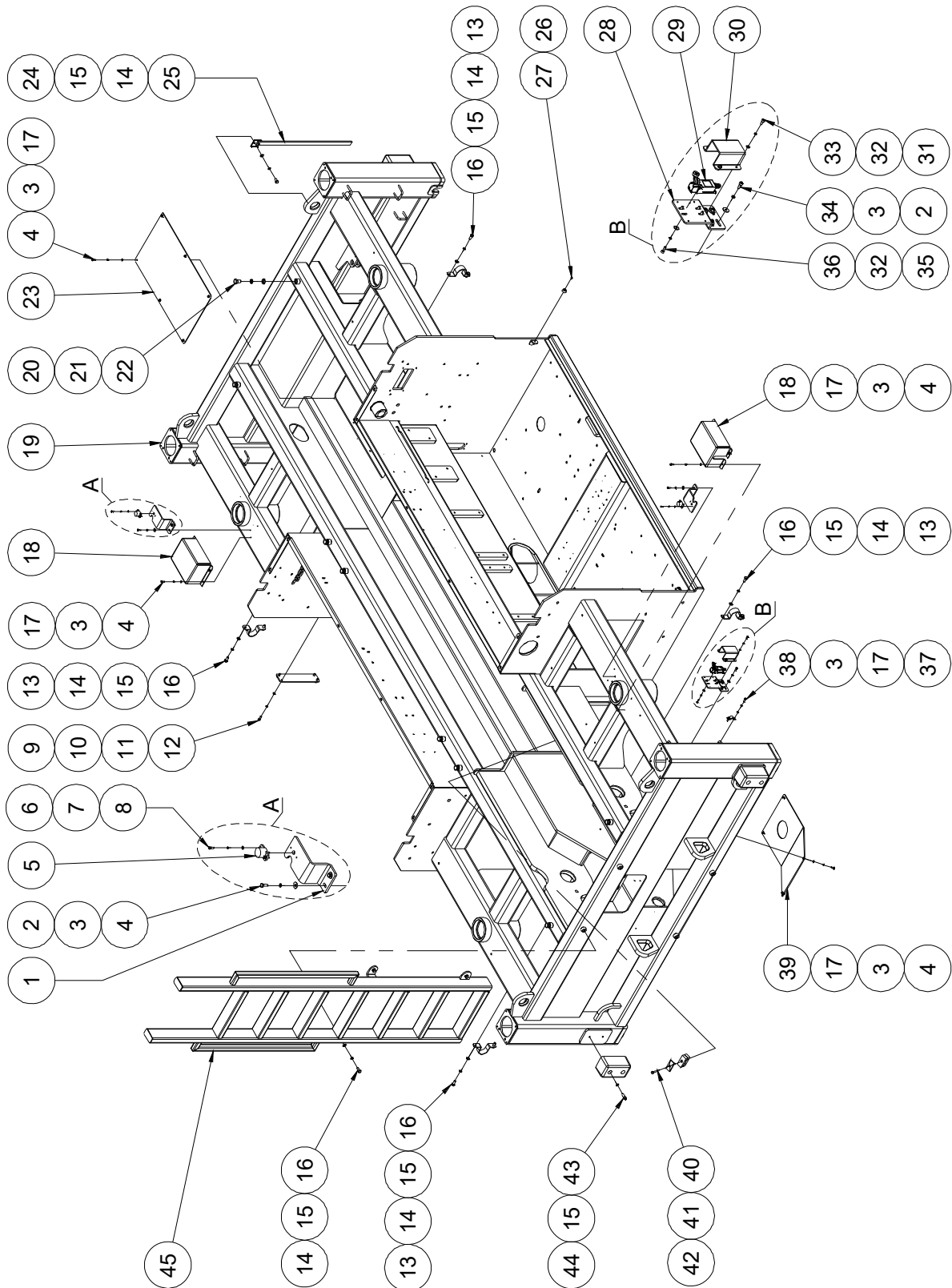
116.1 Outriggers Assembly

Item	Part No.	Description	Qty.
1	10010981	Outrigger cover (without bubble level)	1
	10012159	Outrigger cover (with bubble level)	1
2	00007660	Bolt GB/T 5782 M8×220	8
3	00000609	Washer GB/T 93 8	12
4	00000608	Washer GB/T 97.1 8	12
5	10010273	Rubber block	2
6	00000829	Screw GB/T 70.3 M6×12	6
7	10021581	Cover	1
8	00000818	Bolt GB/T 5783 M6×16	6
9	00000621	Washer GB/T 93 6	6
10	00000620	Washer GB/T 97.1 6	6
11	00000748	Limit switch	2
12	10010155	Switch bracket	1
13	00001246	Screw GB/T 70.1 M5×16	8
14	00000606	Washer GB/T 93 5	8
15	00000605	Washer GB/T 97.1 5	8
16	00001061	Screw GB/T 70.1 M8×20	4
17	10010981	Outrigger cover	1
18	00002563	Screw GB/T 70.1 M10×65	4
19	00000615	Washer GB/T 97.1 10	10
20	10010158	Signal plate	2
21	10010173	Spacer sleeve	4
22	10021582	Cover	1
23		Left outrigger cylinder assembly (without seal kit) (refer to 402.1)	1
24	10010132	Outrigger seat	2
25	10012523	Outrigger support frame	2
26	00000814	Washer GB/T 97.1 12	8
27	00000815	Washer GB/T 93 12	8

116.1 Outriggers Assembly

Item	Part No.	Description	Qty.
28	00002527	Bolt GB/T 5782 M12×80	8
29	10010157	Switch bracket	1
30		Right outrigger cylinder assembly (without seal kit) (refer to 403.1)	1
31	10012155	Bubble level mount plate (option)	1
32	10004271	Rubber pad (option)	1
33	10004259	Bubble level (option)	1
34	00000817	Screw GB/T 70.1 M5×20 (option)	3
35	10012156	Spacer sleeve (option)	3
36	10012157	Bubble level cover (option)	1
37	00002508	Bolt GB/T 5783 M10×60 (option)	3
38	00000623	Nut GB/T 6182 M10 (option)	3

117.1 Ladder and Chassis Accessory Installation



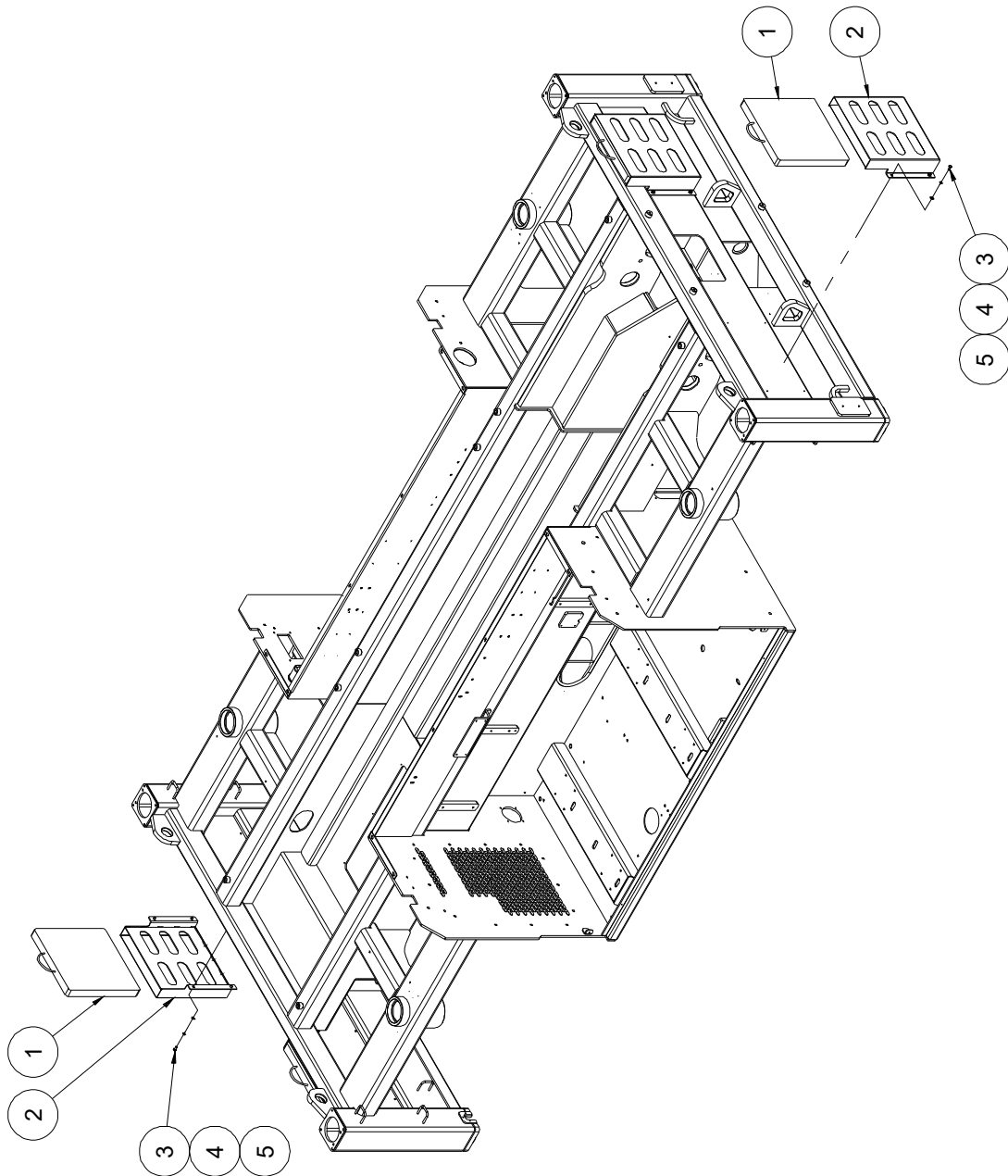
117.1 Ladder and Chassis Accessory Installation

Item	Part No.	Description	Qty.
1	10010960	Sensor bracket	2
2	00002583	Washer GB/T 96.1 6	8
3	00000621	Washer GB/T 93 6	28
4	00000818	Bolt GB/T 5783 M6×16	22
5	00000644	Rotary sensor	2
6	00000778	Washer GB/T 97.1 4	4
7	00000779	Washer GB/T 93 4	4
8	00001054	Screw GB/T 70.1 M4×12	4
9	10010325	Cover	1
10	00000608	Washer GB/T 97.1 8	4
11	00000609	Washer GB/T 93 8	4
12	00001061	Screw GB/T 70.1 M8×20	4
13	10014075	Clamp	4
14	00000615	Washer GB/T 97.1 10	13
15	00000679	Washer GB/T 93 10	21
16	00000678	Bolt GB/T 5783 M10×25	12
17	00000620	Washer GB/T 97.1 6	20
18	10010162	Sensor cover	2
19	10010224	Frame weldment	1
20	00000997	Washer GB/T 97.1 16	12
21	00001035	Washer GB/T 93 16	12
22	00006696	Bolt GB/T 5783 M16×25	12
23	10010274	Cover	1
24	00000674	Bolt GB/T 5783 M10×20	1
25	00000669	Ground strap	1
26	10000376	Bumper	4
27	00002026	Screw GB/T 818 M4×10 - H	4
28	10017502	Switch bracket	1
29	00000748	Limit switch	1

117.1 Ladder and Chassis Accessory Installation

Item	Part No.	Description	Qty.
30	10011485	Switch cover	1
31	00000605	Washer GB/T 97.1 5	4
32	00000606	Washer GB/T 93 5	8
33	00001252	Screw GB/T 70.1 M5×12	4
34	00000876	Screw GB/T 70.1 M6×16	4
35	00003545	Washer GB/T 96.1 5	4
36	00001246	Screw GB/T 70.1 M5×16	4
37	00002727	Clamp 16 JB/ZQ 4492-2006	1
38	00000743	Bolt GB/T 5783 M6×20	2
39	10010354	Cover	1
40	00000316	Hose clamp	1
41	00000317	Base plate	1
42	00001985	Bolt GB/T 5782 M8×55	1
43	10010171	Bumper	4
44	00001059	Screw GB/T 70.1 M10×30	8
45	10018785	Ladder (JCPT1923DC)	1
	10018123	Ladder (JCPT2223DC)	1

118.1 Outrigger Plate (Option)

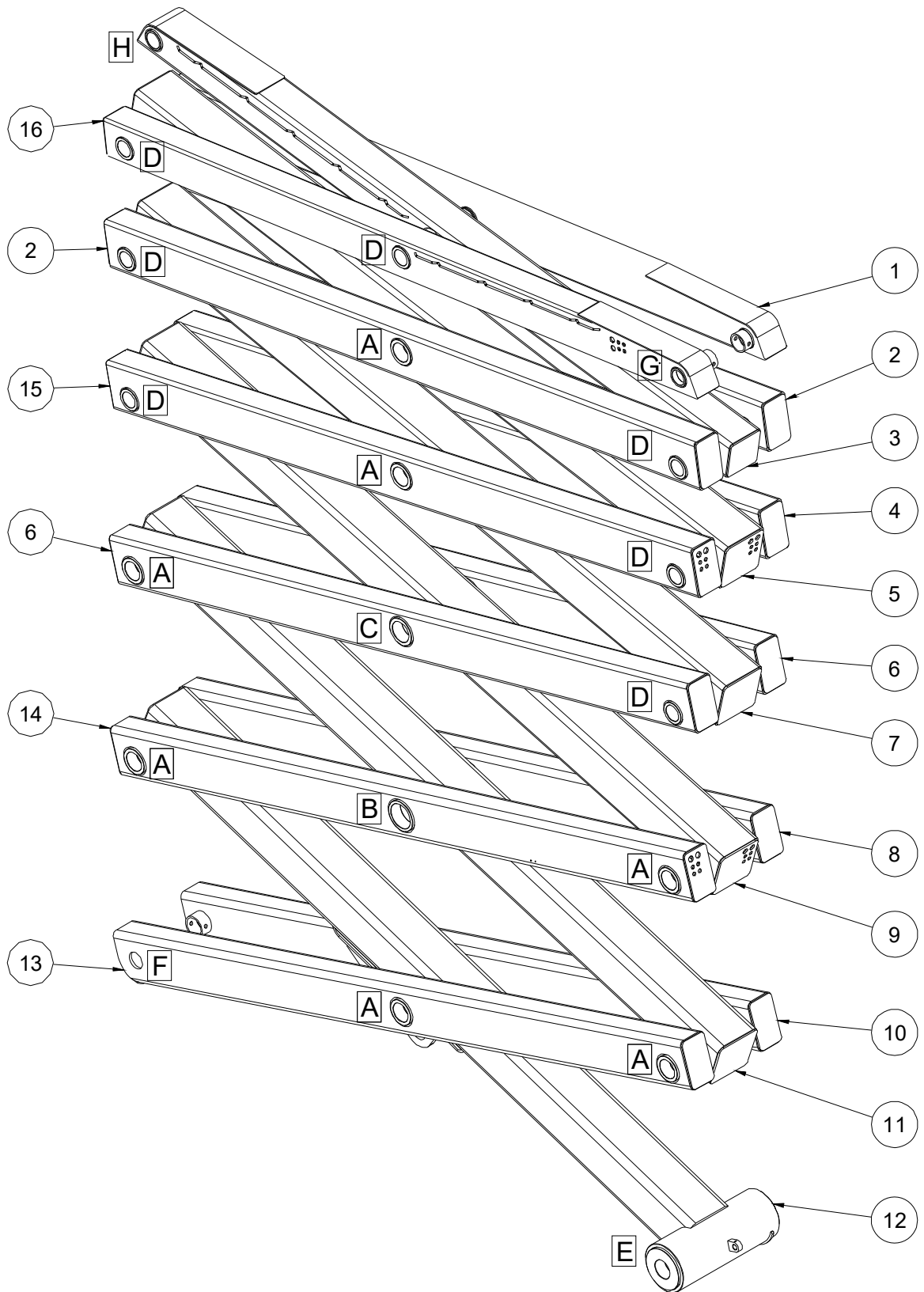


118.1 Outrigger Plate (Option)

Item	Part No.	Description	Qty.
1	10018531	Outrigger plate	4
2	10018534	Plate box weldment	4
3	00001063	Bolt GB/T 5783 M8×16	16
4	00000609	Washer GB/T 93 8	16
5	00000608	Washer GB/T 97.1 8	16

Section 2 Scissor

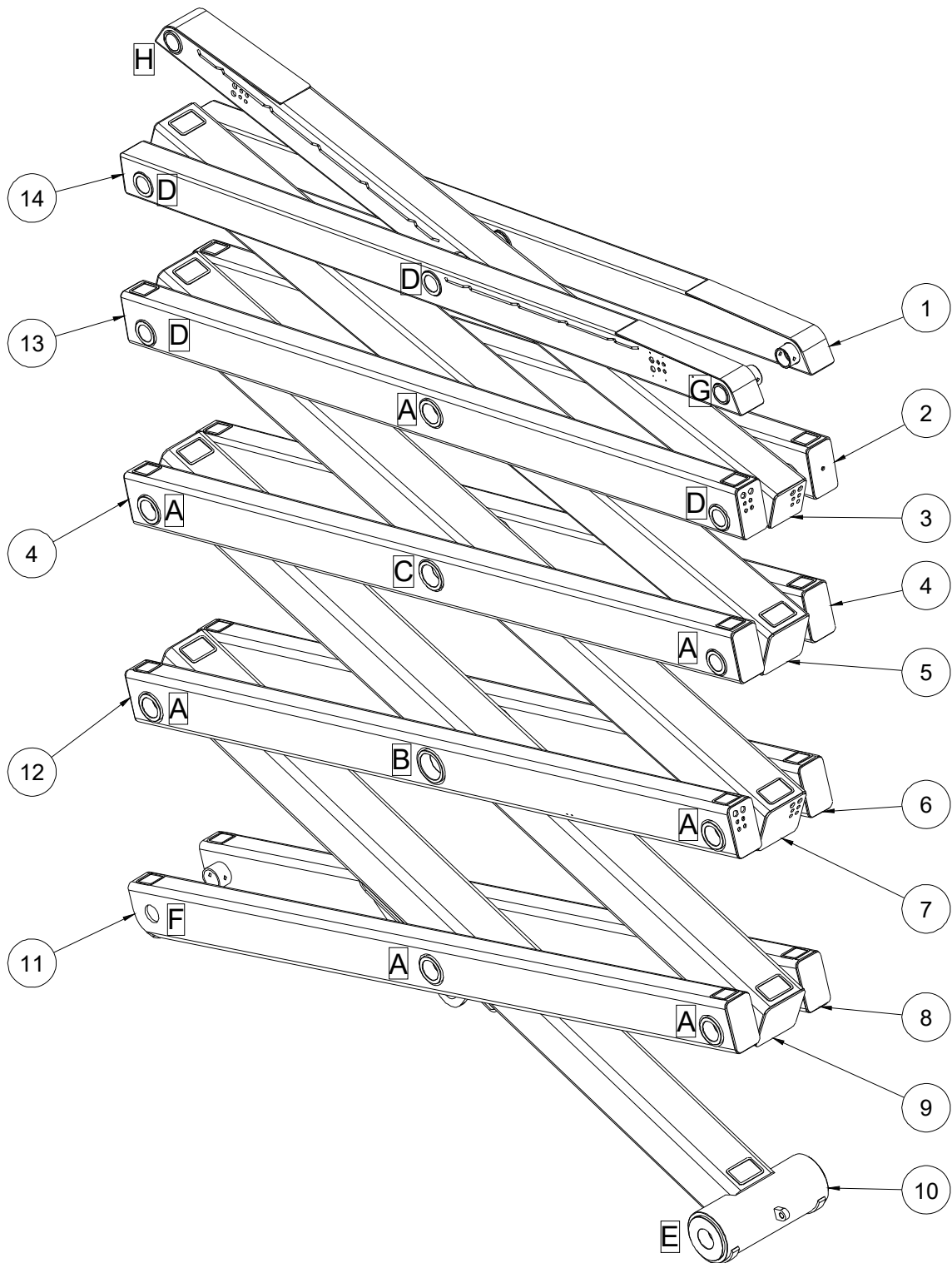
201.1 Scissor Arms Installation (JCPT2223DC)



201.1 Scissor Arms Installation (JCPT2223DC)

Item	Part No.	Description	Qty.
1	10009256	Outer arm 6, right	1
2	10017467	Outer arm 5	2
3	10009223	Inner arm 6	1
4	10017462	Outer arm 4, right	1
5	10017469	Inner arm 5	1
6	10017458	Outer arm 3	2
7	10017465	Inner arm 4	1
8	10009283	Outer arm 2, right	1
9	10017460	Inner arm 3	1
10	10009233	Outer arm 1, right	1
11	10009212	Inner arm 2	1
12	10009209	Inner arm 1	1
13	10009227	Outer arm 1, left	1
14	10009237	Outer arm 2, left	1
15	10017464	Outer arm 4, left	1
16	10009254	Outer arm 6, left	1

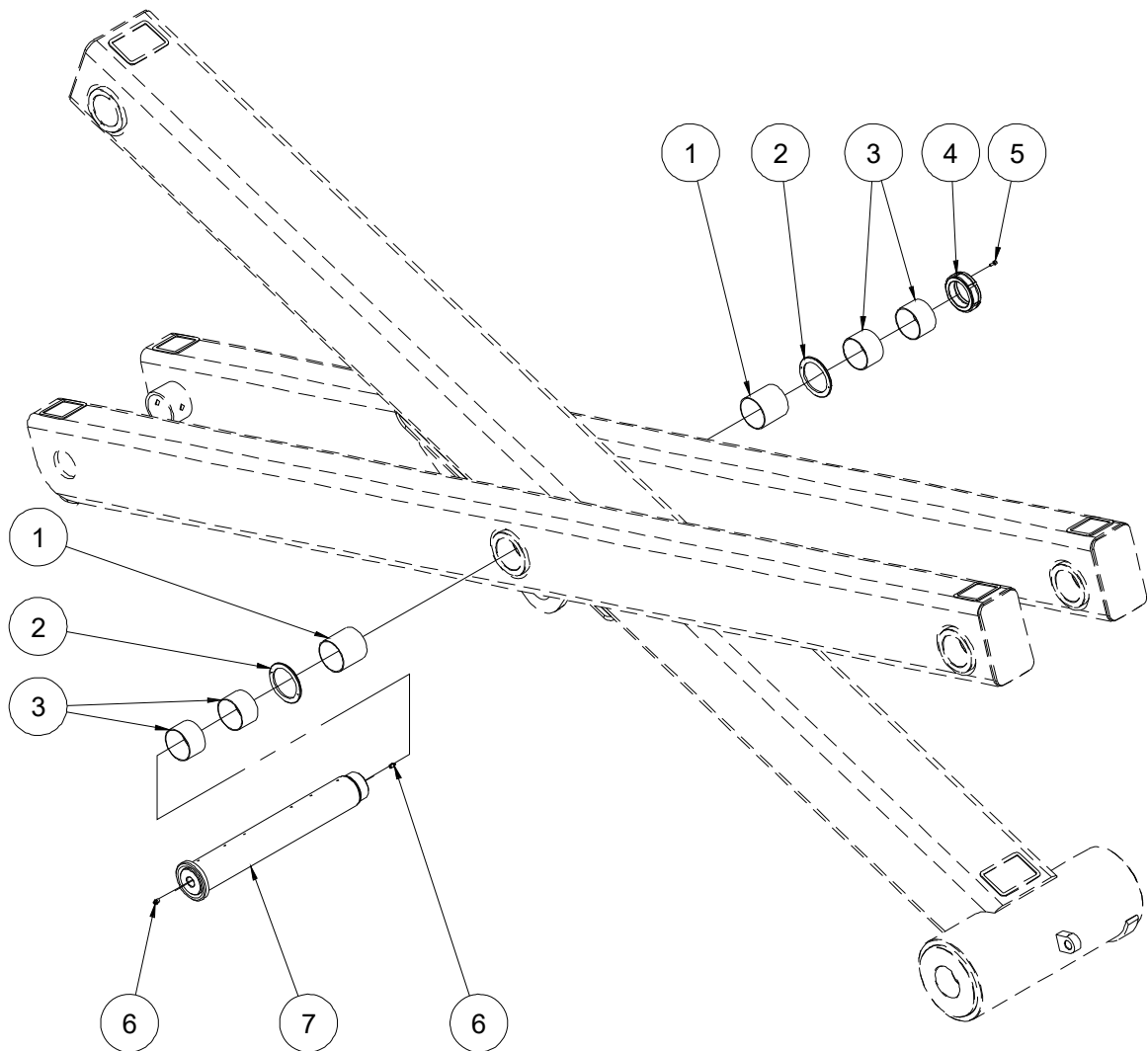
201.2 Scissor Arms Installation (JCPT1923DC)



201.2 Scissor Arms Installation (JCPT1923DC)

Item	Part No.	Description	Qty.
1	10009256	Outer arm 6, right	1
2	10017462	Outer arm 4, right	1
3	10016526	Inner arm 6	1
4	10017458	Outer arm 3	2
5	10017465	Inner arm 4	1
6	10009283	Outer arm 2, right	1
7	10017460	Inner arm 3	1
8	10009233	Outer arm 1, right	1
9	10009212	Inner arm 2	1
10	10009209	Inner arm 1	1
11	10009227	Outer arm 1, left	1
12	10009237	Outer arm 2, left	1
13	10017464	Outer arm 4, left	1
14	10009254	Outer arm 6, left	1

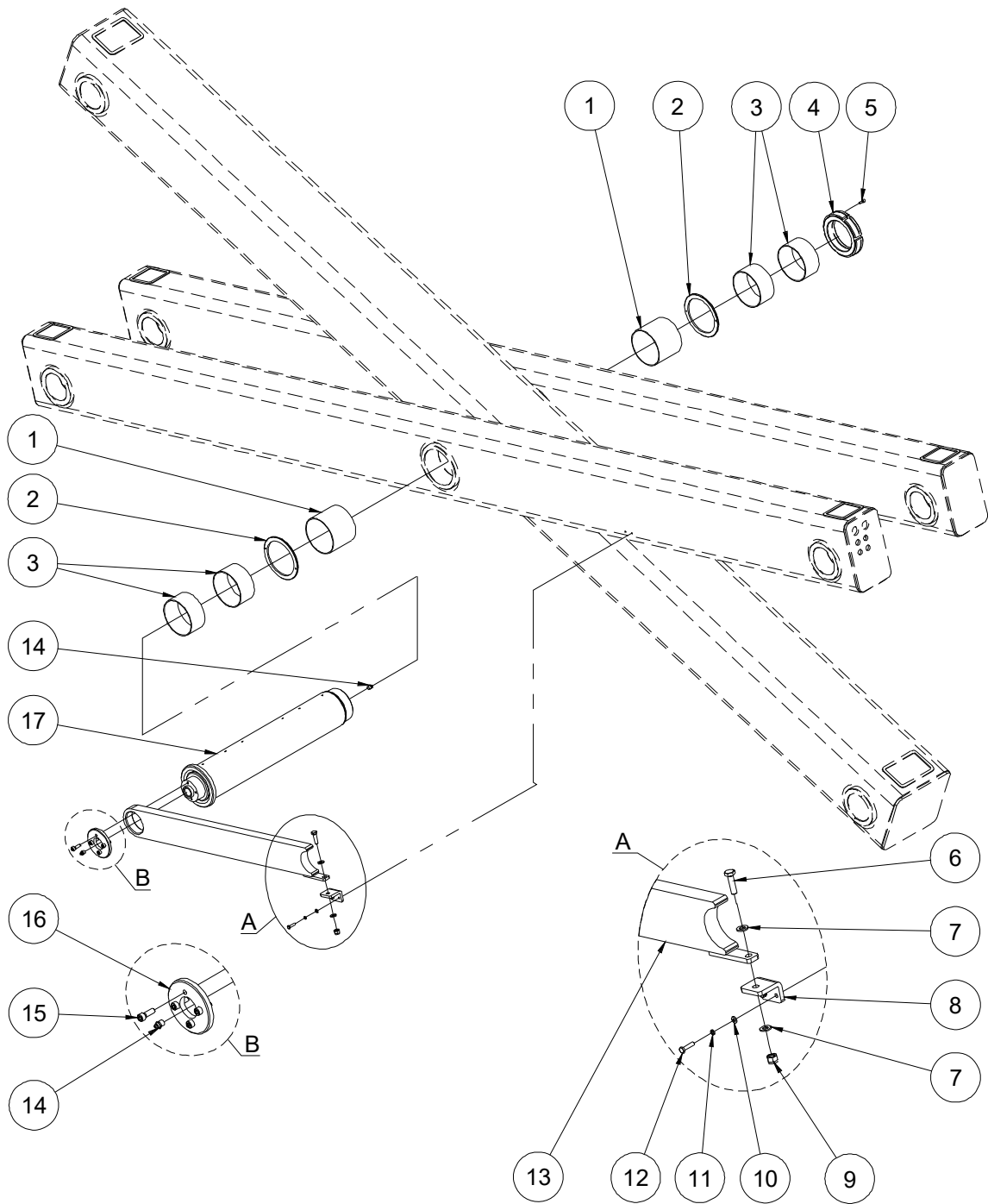
202.1 Scissor Arm pin joint A



202.1 Scissor Arm pin joint A

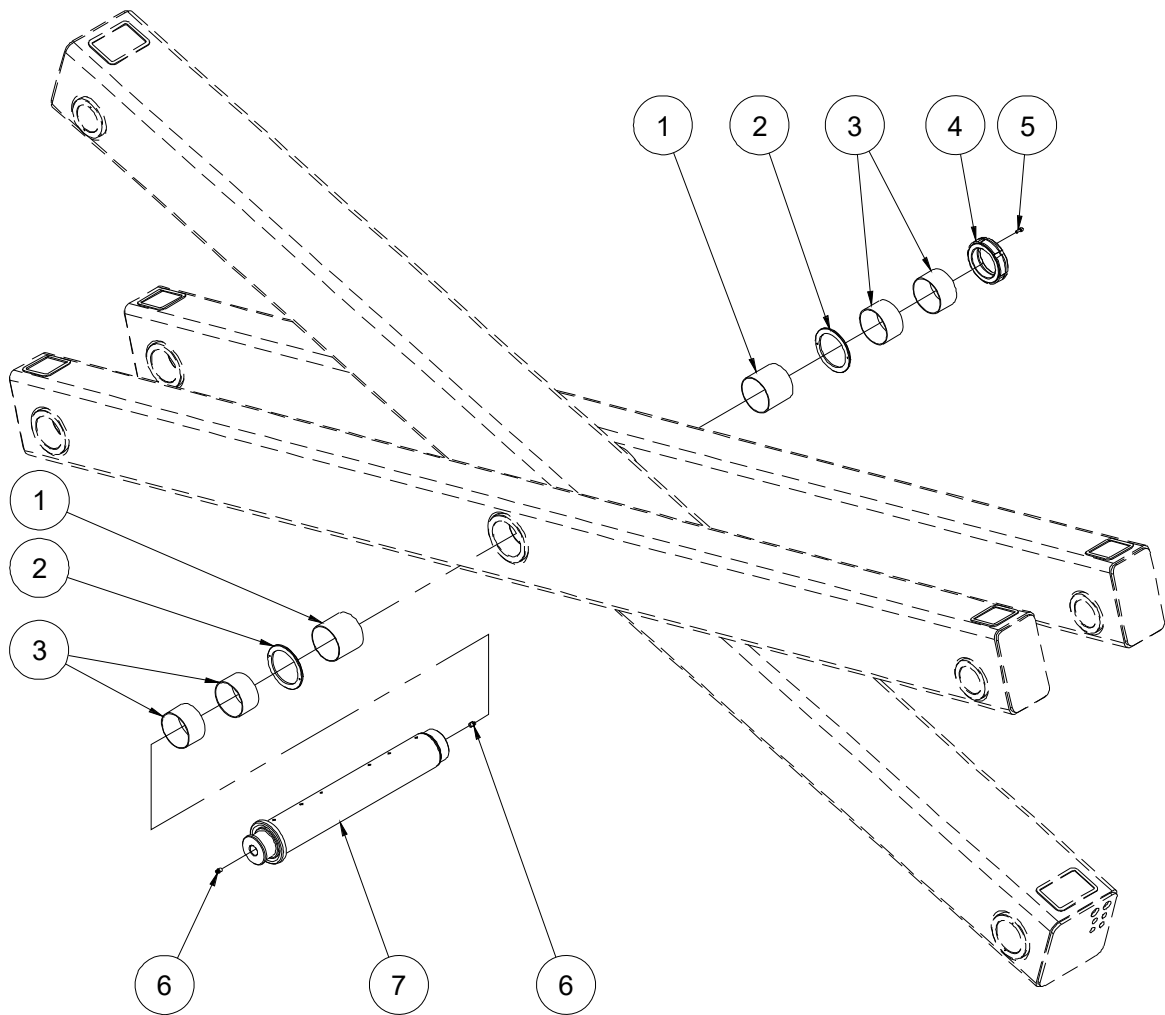
Item	Part No.	Description	Qty.
1	00006140	8812-909590A Bearing	2
2	10009382	Washer 90	2
3	00006149	8812-909560A Bearing	4
4	10017506	Nu M80	1
5	00000876	Screw GB/T 70.1 M6×16	4
6	00004483	Grease nipple GB/T 1152 M10×1	2
7	10009358	Pin 90	1

203.1 Scissor Arm pin joint B



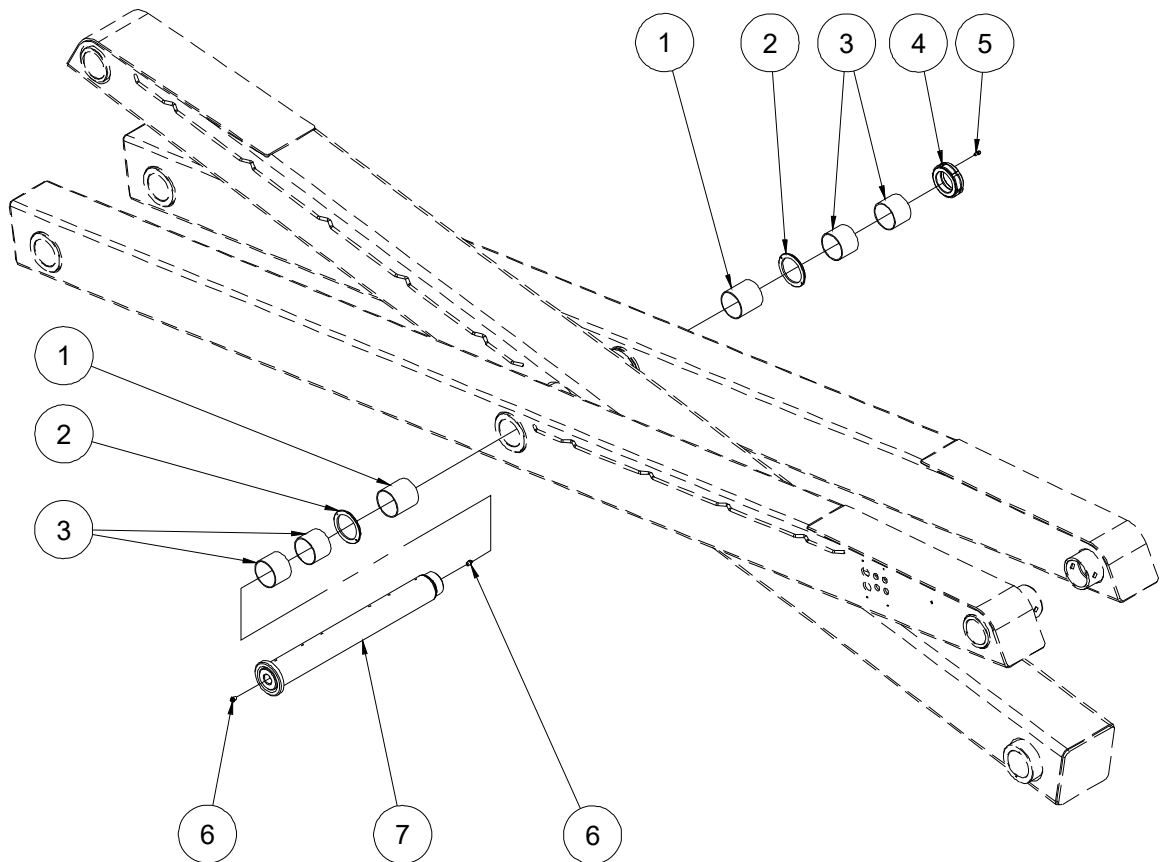
203.1 Scissor Arm pin joint B

Item	Part No.	Description	Qty.
1	00006146	8812-120125100A Bearing	2
2	10009384	Washer 120	2
3	00006151	8812-12012560A Bearing	4
4	10017504	Nut M110	1
5	00000876	Screw GB/T 70.1 M6×16	6
6	00000684	Bolt GB/T 5783 M10×35	1
7	00000615	Washer GB/T 97.1 10	2
8	10009578	Bracket	1
9	00000623	Nut GB/T 6182 M10	1
10	00000620	Washer GB/T 97.1 6	2
11	00000621	Washer GB/T 93 6	2
12	00000619	Bolt GB/T 5783 M6×25	2
13	10009274	Safety arm	1
14	00004483	Grease nipple GB/T 1152 M10×1	2
15	00002555	Screw GB/T 70.1 M8×25	4
16	10009264	Safety arm retainer	1
17	10009381	Pin 120	1

204.1 Scissor Arm pin joint C**204.1 Scissor Arm pin joint C**

Item	Part No.	Description	Qty.
1	00006145	8812-10010590A Bearing	2
2	10009383	Washer 100	2
3	00006150	8812-10010560A Bearing	4
4	10017505	Nu M90	1
5	00000876	Screw GB/T 70.1 M6×16	4
6	00004483	Grease nipple GB/T 1152 M10×1	2
7	10009380	Pin 100	1

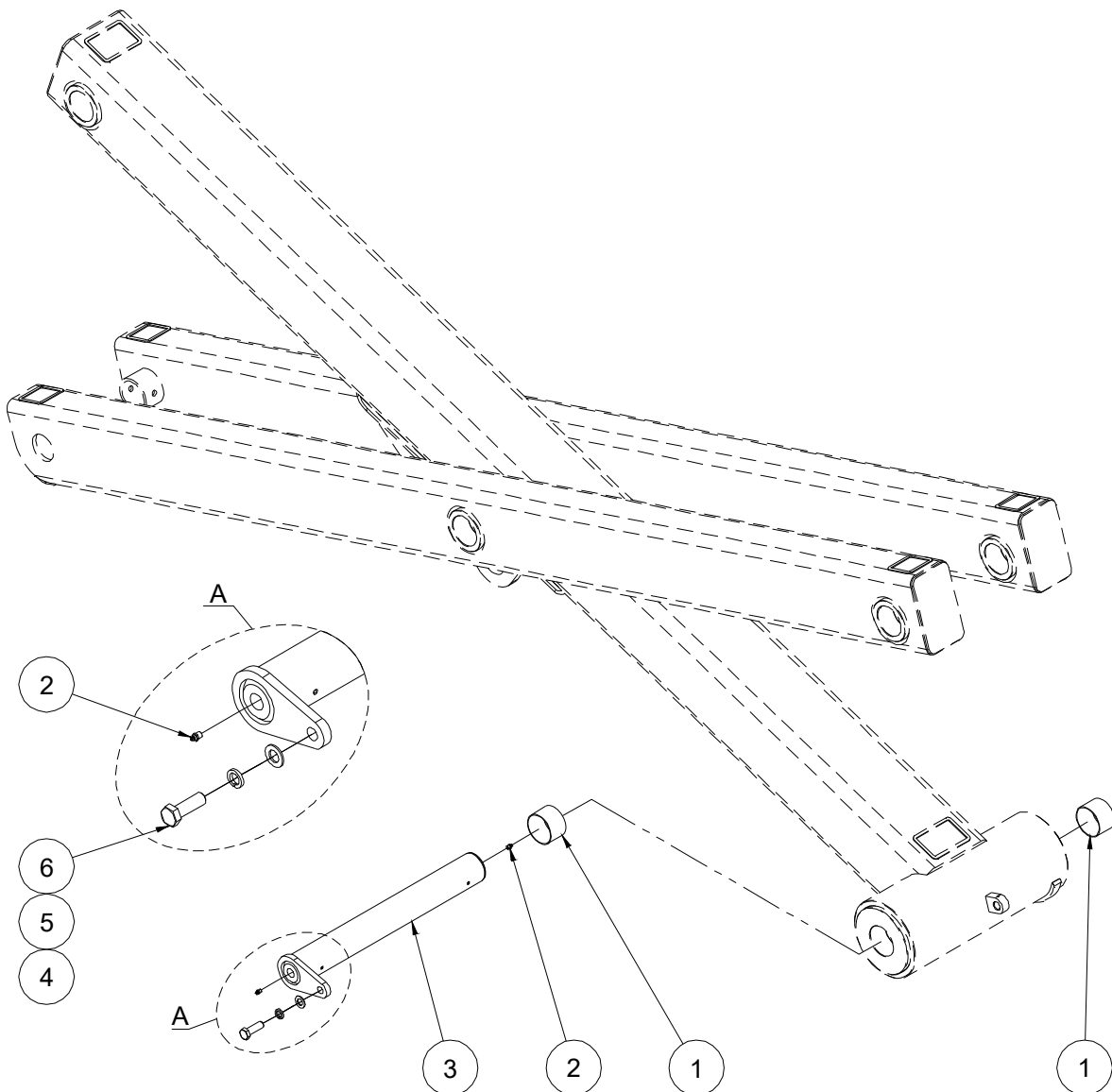
205.1 Scissor Arm pin joint D



205.1 Scissor Arm pin joint D

Item	Part No.	Description	Qty.
1	00006144	8812-758080A Bearing	2
2	10009374	Washer 75	2
3	00006143	8812-758060A Bearing	4
4	10017507	Nut M64	1
5	00002029	Screw GB/T 70.1 M6×12	4
6	00004483	Grease nipple GB/T 1152 M10×1	2
7	10009379	Pin 75	1

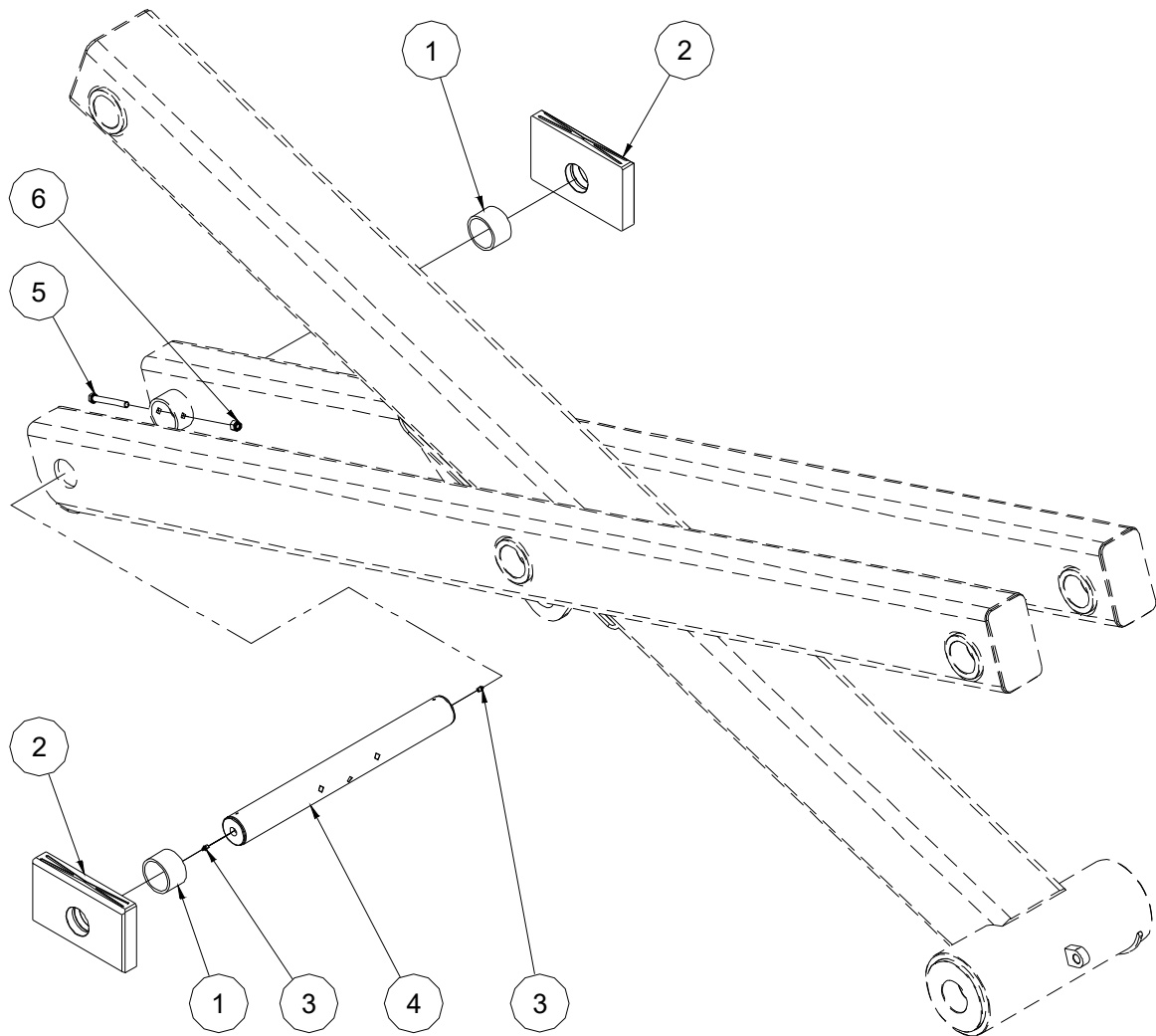
206.1 Scissor Arm pin joint E



206.1 Scissor Arm pin joint E

Item	Part No.	Description	Qty.
1	00006149	8812-909560A Bearing	2
2	00004483	Grease nipple GB/T 1152 M10×1	2
3	10009378	Pin	1
4	00001050	Washer GB/T 97.1 20	1
5	00002219	Washer GB/T 93 20	1
6	00002224	Bolt GB/T 5783 M20×50	1

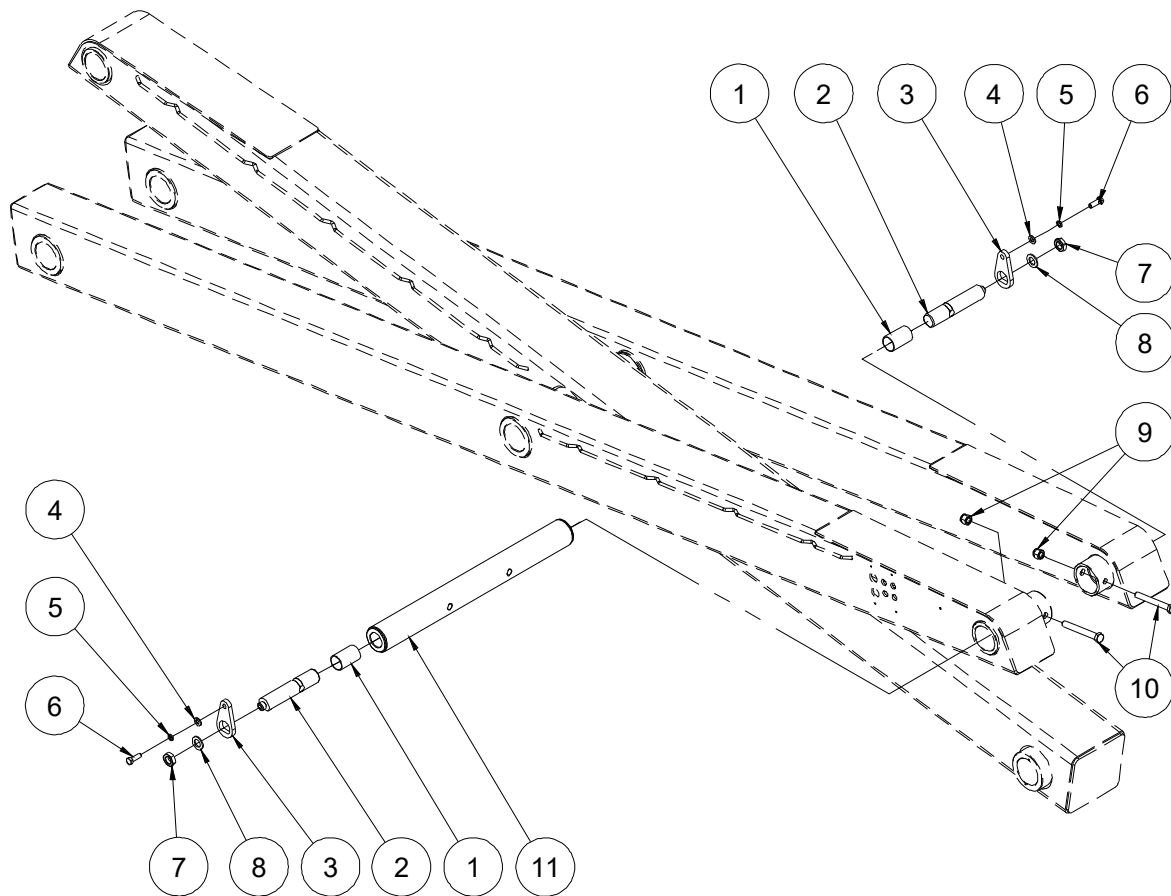
207.1 Scissor Arm pin joint F



207.1 Scissor Arm pin joint F

Item	Part No.	Description	Qty.
1	10009580	Spacer sleeve	2
2	10009258	Chassis slider	2
3	00004483	Grease nipple GB/T 1152 M10×1	2
4	10009357	Pin	1
5	00001109	Bolt GB/T 5782 M16×130	2
6	00001257	Nut GB/T 6182 M16	2

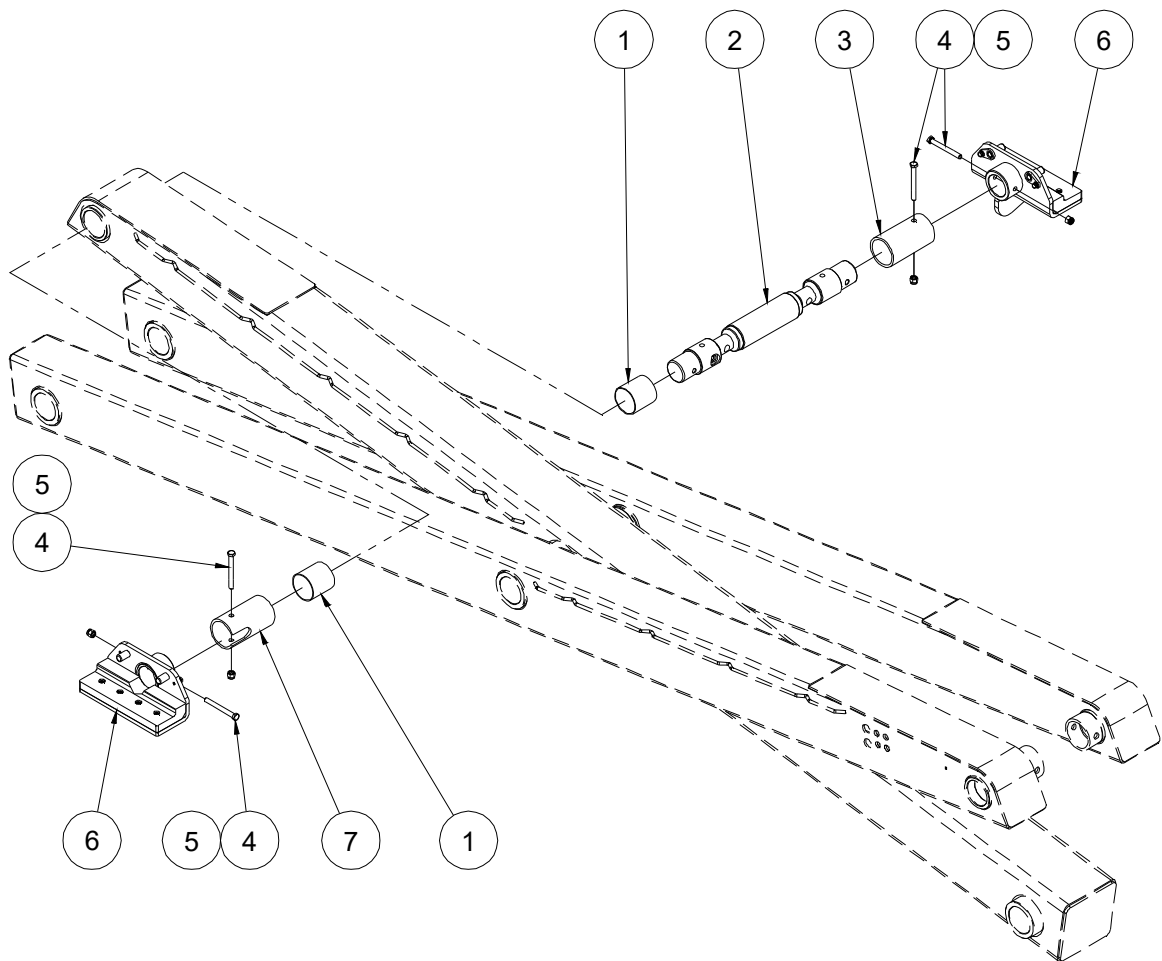
208.1 Scissor Arm pin joint G



208.1 Scissor Arm pin joint G

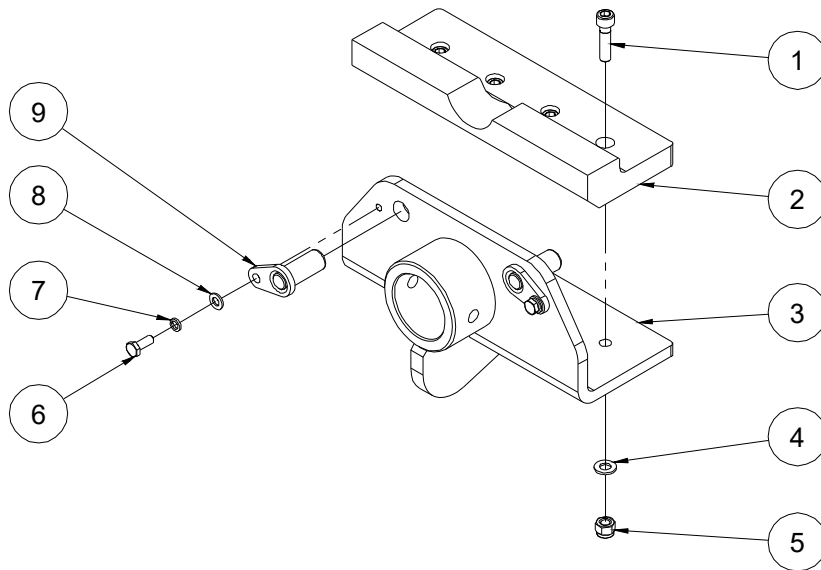
Item	Part No.	Description	Qty.
1	00006165	8812-404470 Bearing	2
2	10009398	Pin	2
3	10009399	Pin fixing plate	2
4	00000814	Washer GB/T 97.1 12	2
5	00000815	Washer GB/T 93 12	2
6	00002046	Bolt GB/T 5783 M12×35	2
7	00001998	Nut GB/T 6173 M22×1.5	2
8	00002550	Washer GB/T 97.1 22	2
9	00001257	Nut GB/T 6182 M16	2
10	00001109	Bolt GB/T 5782 M16×130	2
11	10009356	Pin	1

209.1 Scissor Arm pin joint H



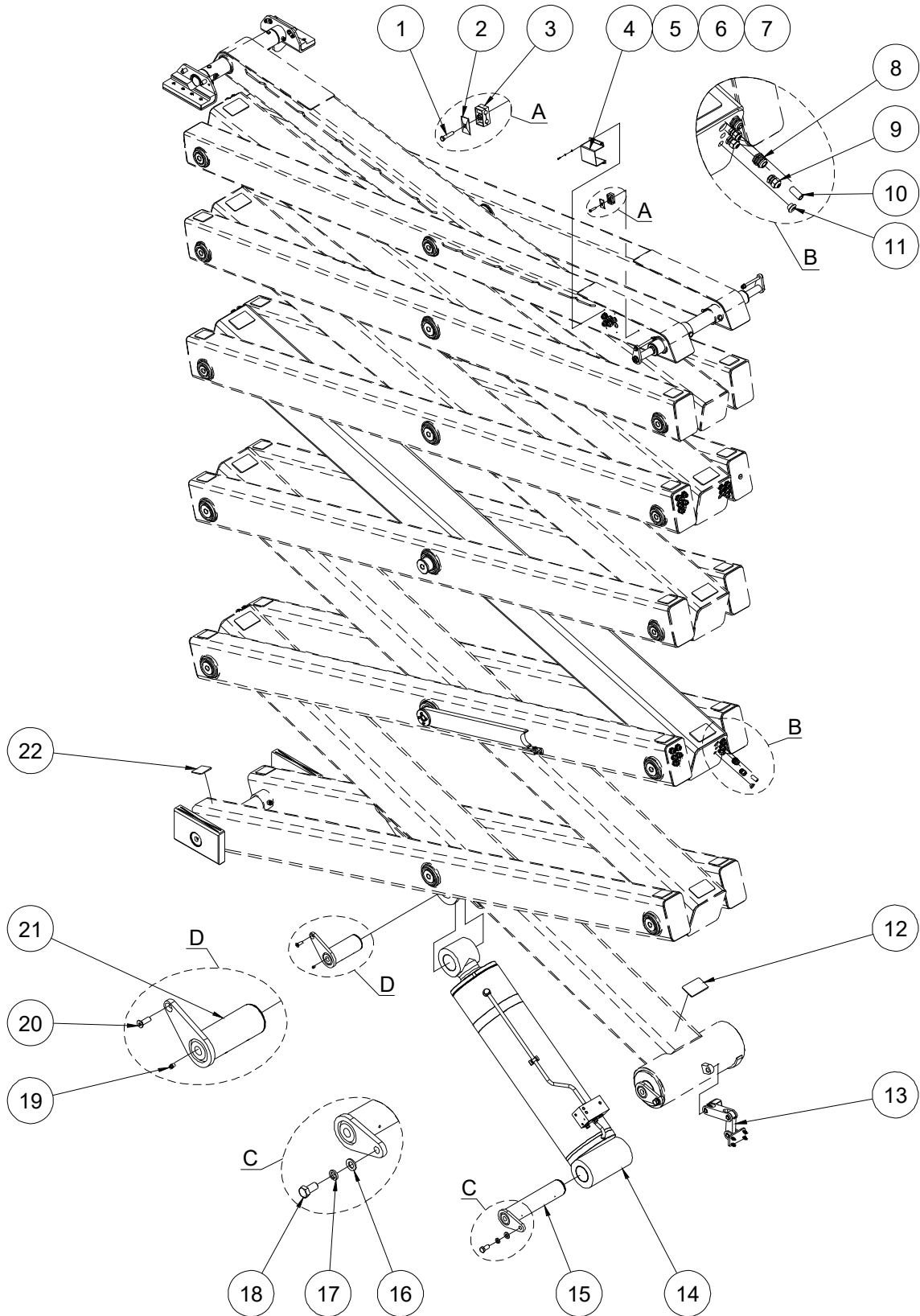
209.1 Scissor Arm pin joint H

Item	Part No.	Description	Qty.
1	00006166	8812-758080 Bearing	2
2	10009396	Pin	1
3	10009668	Spacer sleeve	1
4	00006174	Bolt GB/T 5782 M12×110	4
5	00001249	Nut GB/T 6182 M12	4
6		Platform slider assembly (refet to 210.1)	2
7	10009669	Spacer sleeve	1

210.1 Platform Slider Assembly**210.1 Platform Slider Assembly**

Item	Part No.	Description	Qty.
1	00002050	Screw GB/T 70.1 M10×40	4
2	10009349	Platform slider	1
3	10009348	Slider bracket	1
4	00000615	Washer GB/T 97.1 10	4
5	00000623	Nut GB/T 6182 M10	4
6	00000875	Bolt GB/T 5783 M8×20	2
7	00000609	Washer GB/T 93 8	2
8	00000608	Washer GB/T 97.1 8	2
9	10009353	Pin	2

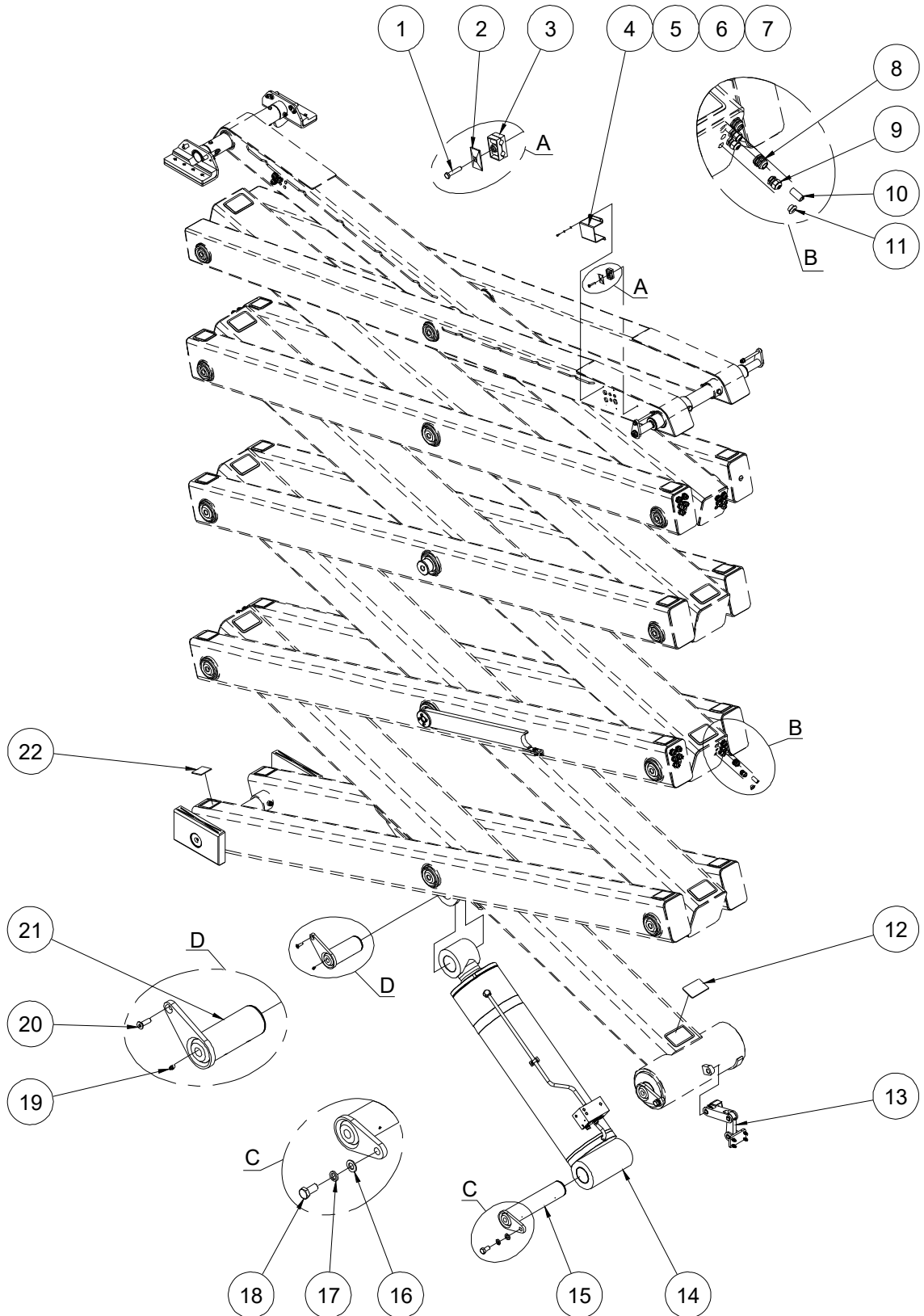
211.1 Lift cylinder and Scissor Accessory Installation (JCPT2223DC)



211.1 Lift cylinder and Scissor Accessory Installation (JCPT2223DC)

Item	Part No.	Description	Qty.
1	00002604	Bolt GB/T 5783 M8×40	1
2	10000047	Base plate	1
3	00000538	Hose clamp	1
4	10017530	Cover	1
5	00000605	Washer GB/T 97.1 5	4
6	00000606	Washer GB/T 93 5	4
7	00001252	Screw GB/T 70.1 M5×12	4
8	00001829	Water-proof joint M30×1.5	24
9	00006128	Water-proof joint M20×1.5	A/R
10	10009675	Sheath	24
11	00006177	Cover	14
12	10009674	Block	10
13		Rotary sensor assembly (refer to 212.1)	1
14		Lift cylinder assembly (without seal kit) (refer to 401.1)	1
15	10009366	Pin	1
16	00001050	Washer GB/T 97.1 20	2
17	00002219	Washer GB/T 93 20	2
18	00002264	Bolt GB/T 5783 M20×40	1
19	00004483	Grease nipple GB/T 1152 M10×1	40
20	00000857	Screw GB/T 70.3 M12×40	1
21	10009370	Pin	1
22	10009673	Block	20

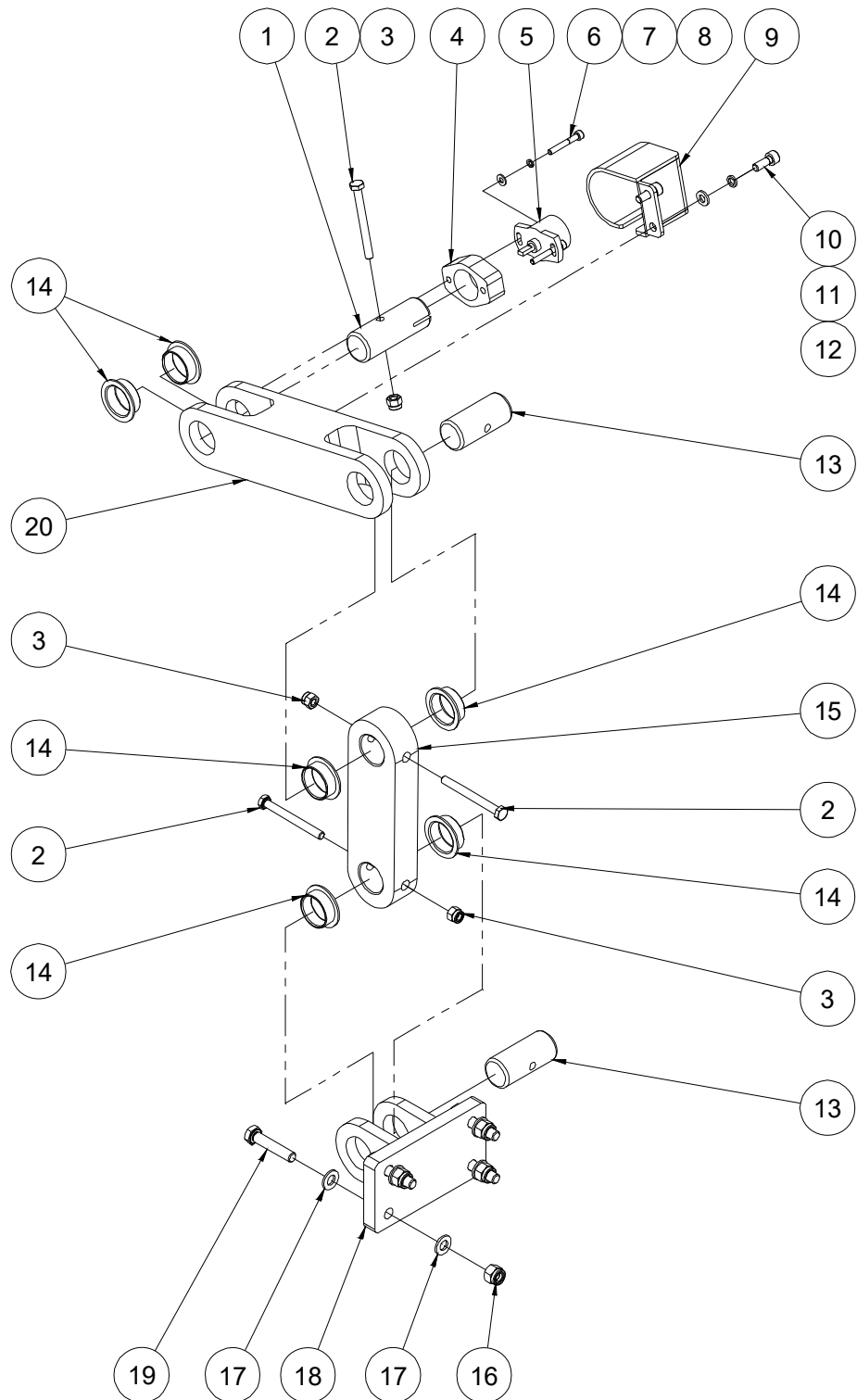
211.2 Lift cylinder and Scissor Accessory Installation (JCPT1923DC)



211.2 Lift cylinder and Scissor Accessory Installation (JCPT1923DC)

Item	Part No.	Description	Qty.
1	00002604	Bolt GB/T 5783 M8×40	1
2	10000047	Base plate	1
3	00000538	Hose clamp	1
4	10017530	Cover	1
5	00000605	Washer GB/T 97.1 5	4
6	00000606	Washer GB/T 93 5	4
7	00001252	Screw GB/T 70.1 M5×12	4
8	00001829	Water-proof joint M30×1.5	20
9	00006128	Water-proof joint M20×1.5	A/R
10	10009675	Sheath	20
11	00006177	Cover	13
12	10009674	Block	10
13		Rotary sensor assembly (refer to 212.1)	1
14		Lift cylinder assembly (without seal kit) (refer to 401.1)	1
15	10009366	Pin	1
16	00001050	Washer GB/T 97.1 20	2
17	00002219	Washer GB/T 93 20	2
18	00002264	Bolt GB/T 5783 M20×40	1
19	00004483	Grease nipple GB/T 1152 M10×1	34
20	00000857	Screw GB/T 70.3 M12×40	1
21	10009370	Pin	1
22	10009673	Block	16

212.1 Rotary Sensor Assembly

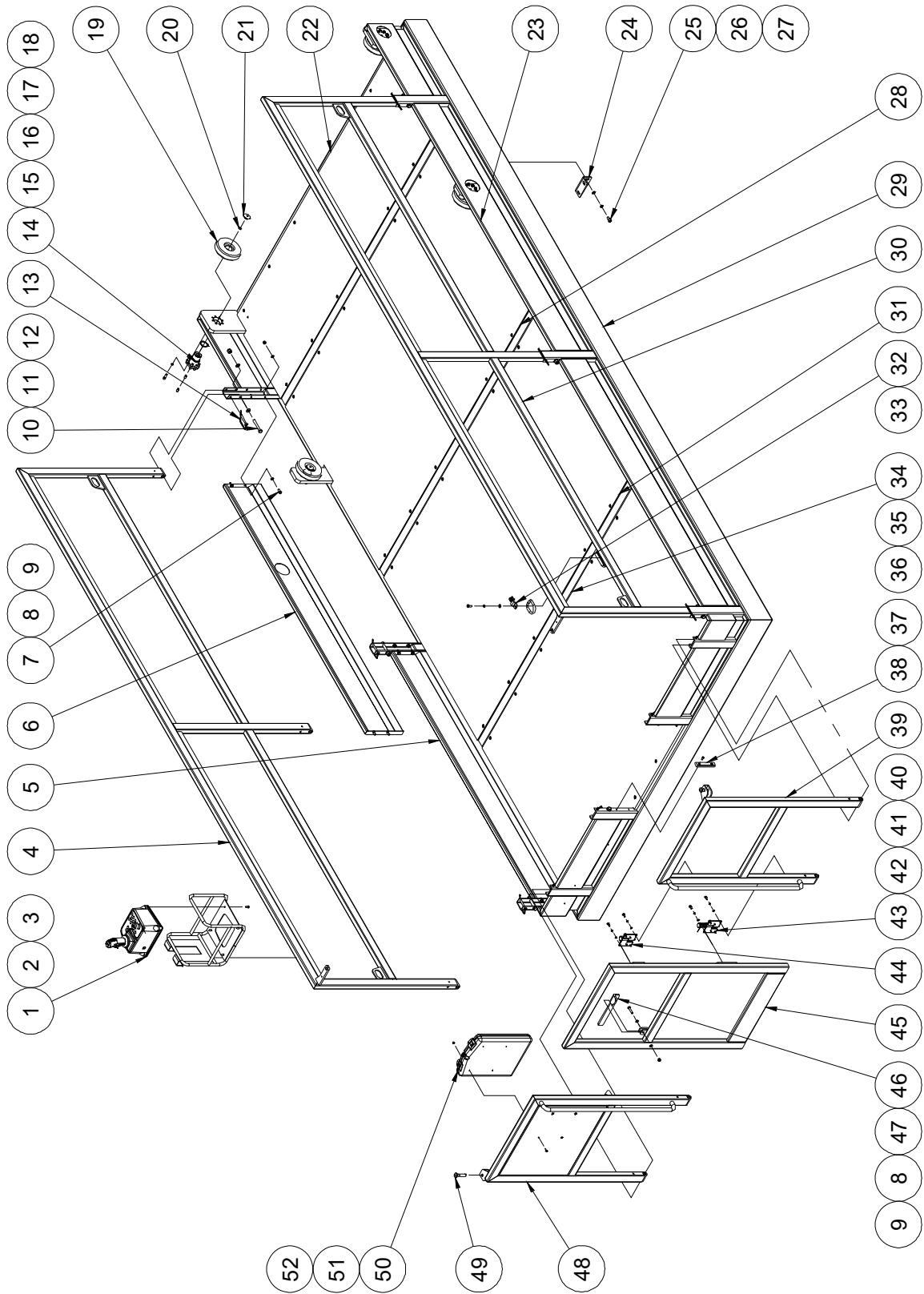


212.1 Rotary Sensor Assembly

Item	Part No.	Description	Qty.
1	10009584	Pin	1
2	00002335	Bolt GB/T 5782 M6×60	3
3	00001033	Nut GB/T 6182 M6	3
4	10001569	Sensor bracket	1
5	00000644	Rotary sensor	1
6	00002415	Screw GB/T 70.1 M4×30	2
7	00000779	Washer GB/T 93 4	2
8	00000778	Washer GB/T 97.1 4	2
9	10016634	Protect cover	1
10	00000876	Screw GB/T 70.1 M6×16	2
11	00000621	Washer GB/T 93 6	2
12	00000620	Washer GB/T 97.1 6	2
13	00006176	8942-2555 Pin	2
14	00006178	8822-2511 Bearing	6
15	10009583	Link plate	1
16	00001163	Nut GB/T 6182 M8	4
17	00000608	Washer GB/T 97.1 8	8
18	10009587	Bracket	1
19	00002604	Bolt GB/T 5783 M8×40	4
20	10009582	Link plate	1

Section 3 Platform

301.1 Main Platform Assembly



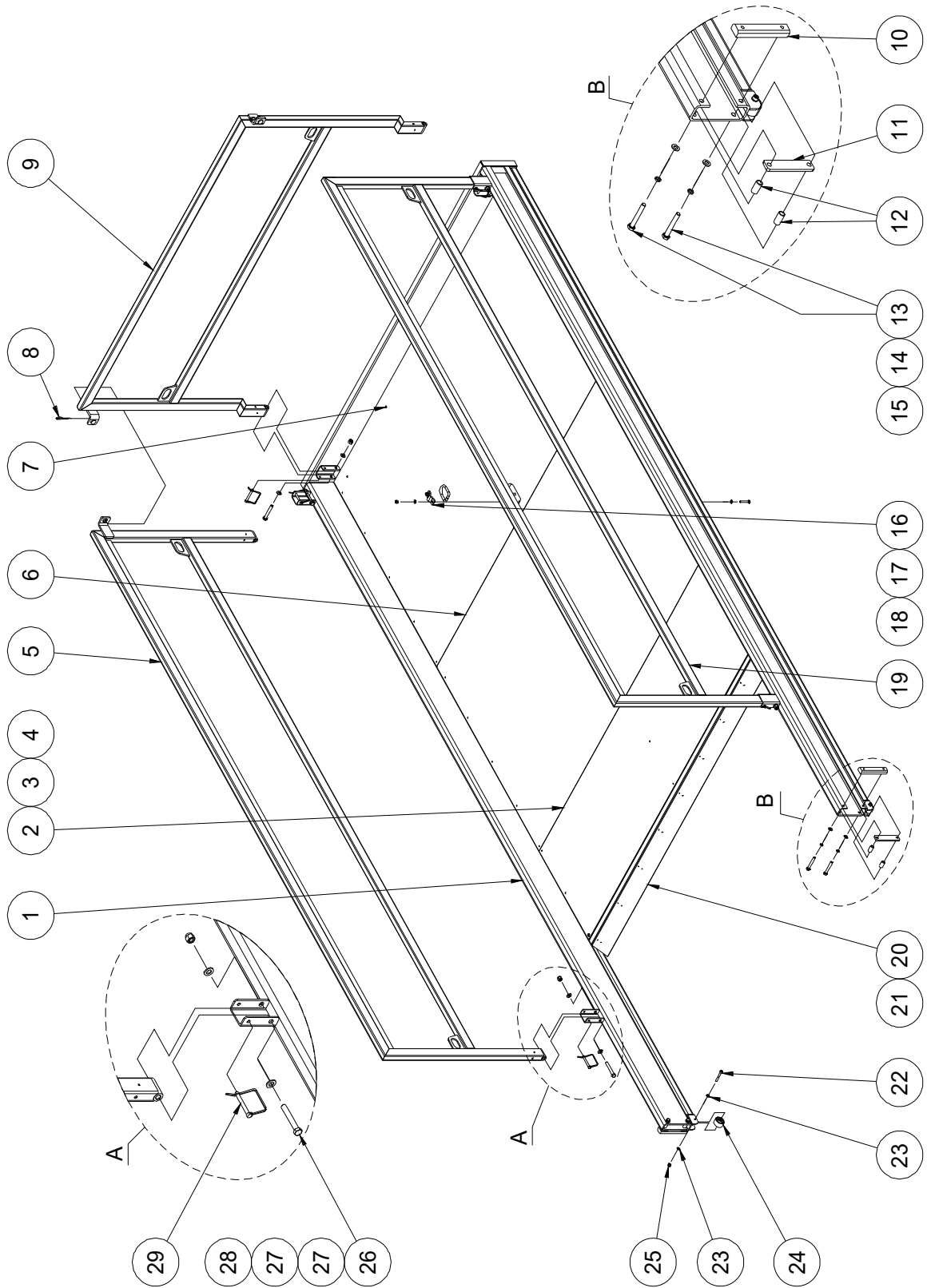
301.1 Main Platform Assembly

Item	Part No.	Description	Qty.
1		Platform control box assembly (refer to 303.1)	1
2	10011382	Platform control box mount bracket (without cover)	1
	10017028	Platform control box mount bracket (with cover)	1
3	00001986	Screw GB/T 818 M6×16 - H	4
4	10011306	Right main rail	1
5	10011291	Toeboard weldment	2
6	10011294	Toeboard weldment	1
7	00000875	Bolt GB/T 5783 M8×20	18
8	00000608	Washer GB/T 97.1 8	36
9	00001163	Nut GB/T 6182 M8	17
10	00002527	Bolt GB/T 5782 M12×80	10
11	00000814	Washer GB/T 97.1 12	20
12	00001249	Nut GB/T 6182 M12	10
13	10012090	Inserted pin	10
14	10014045	Pin	4
15	00005165	Screw GB/T 79 M10×20	8
16	00002555	Screw GB/T 70.1 M8×25	32
17	00000609	Washer GB/T 93 8	34
18	00000944	Circlips GB/T 894.1-40	4
19	10011328	Roller	4
20	10006579	Washer	4
21	10006578	Block	4
22	10011343	Main platform deck plate 4	1
23	10011296	Toeboard weldment	1
24	10011326	Cylinder seat	1
25	00002249	Screw GB/T 70.1 M10×20	2
26	00000679	Washer GB/T 93 10	2
27	00000615	Washer GB/T 97.1 10	2
28	10011342	Main platform deck plate 3	1

301.1 Main Platform Assembly

Item	Part No.	Description	Qty.
29	10011253	Main deck weldment	1
30	10011298	Left main rail	1
31	10011341	Main platform deck plate 2	1
32	10018899	Ring bracket	1
33	10018898	Ring	1
34	10011340	Main platform deck plate 1 (standard)	1
	10019087	Main platform deck plate 1 (option)	1
35	00006322	Rivet GB/T 12618.4 4.8×30	55
36	00003545	Washer GB/T 96.1 5	55
37	00000830	Screw GB/T 70.3 M6×16	2
38	10013186	Block	1
39	10011307	Front rail 1	1
40	00000818	Bolt GB/T 5783 M6×16	12
41	00000621	Washer GB/T 93 6	12
42	00000620	Washer GB/T 97.1 6	12
43	10000302	Hinge B	1
44	10000299	Hinge A	1
45	10011318	Entry gate	1
46	10011325	Latch handle	1
47	00002604	Bolt GB/T 5783 M8×40	1
48	10011315	Front rail 2	1
49	10012192	Inserted pin	2
50	50000555	Manual box	1
51	00002523	Screw GB/T 973 M5×16	4
52	00002573	Nut GB/T 6183.1 M5	4

302.1 Platform Extension Assembly



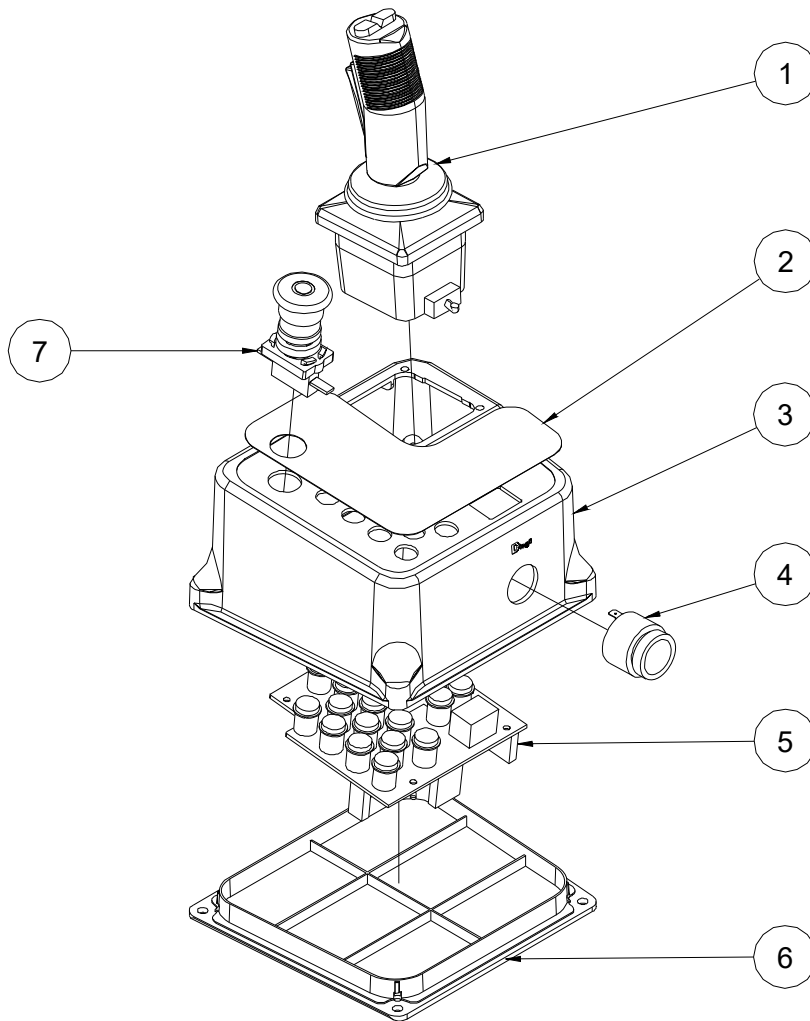
302.1 Platform Extension Assembly

Item	Part No.	Description	Qty.
1	10011345	Extension deck weldment	1
2	10013532	Platform extension deck plate	1
3	00006322	Rivet GB/T 12618.4 4.8×30	39
4	00003545	Washer GB/T 96.1 5	39
5	10011359	Right extension rail	1
6	10013533	Platform extension deck plate (standard)	1
	10019089	Platform extension deck plate (option)	1
7	10019088	Platform extension deck plate	1
8	10011337	Cotter pin	2
9	10011366	Rear rail	1
10	10011376	Baffle plate	2
11	10011377	Baffle plate	2
12	10011378	Spacer sleeve	4
13	00002512	Bolt GB/T 5782 M10×70	4
14	00000679	Washer GB/T 93 10	4
15	00000615	Washer GB/T 97.1 10	4
16	10018899	Ring bracket	1
17	10018898	Ring	1
18	00003607	Bolt GB/T 5783 M8×50	2
19	10011365	Left extension rail	1
20	10012091	Rubber plate	1
21	00001991	Rivet GB/T 12618.4 4.8×16	18
22	00003136	Screw GB/T 70.1 M8×55	2
23	00000608	Washer GB/T 97.1 8	8
24	10011379	Roller	2
25	00001163	Nut GB/T 6182 M8	4
26	00002527	Bolt GB/T 5782 M12×80	6
27	00000814	Washer GB/T 97.1 12	12
28	00001249	Nut GB/T 6182 M12	6

302.1 Platform Extension Assembly

Item	Part No.	Description	Qty.
29	10012090	Inserted pin	6

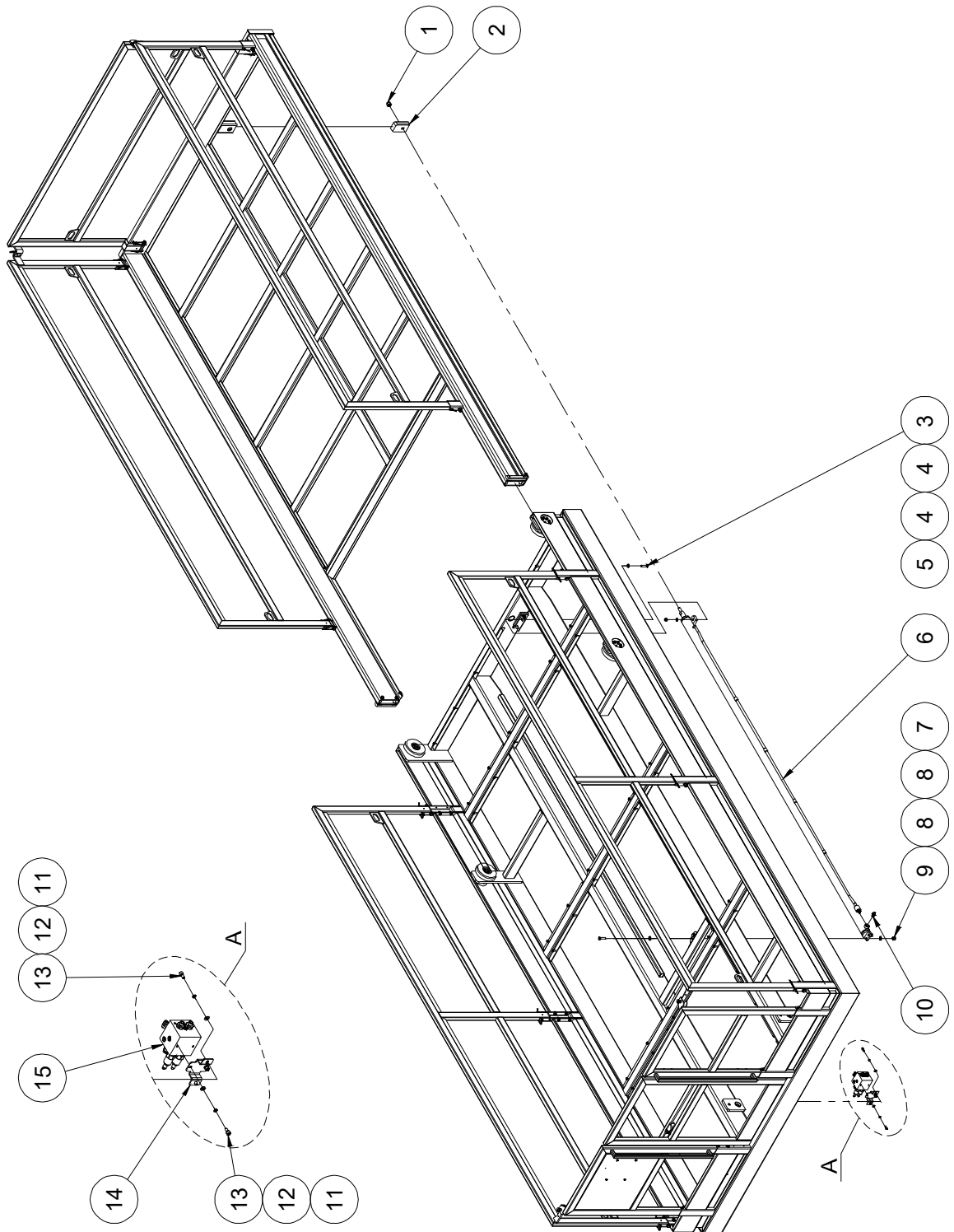
303.1 Platform Control Box Assembly



303.1 Platform Control Box Assembly

Item	Part No.	Description	Qty.
1	00004358	Joystick	1
2	09140047	Decal, Platform control panel	1
3	00004356	Enclosure	1
4	00000712	Alarm	1
5	00004357	Main board	1
6	00004355	Cover bottom	1
7	00000713	Emergency stop switch	1

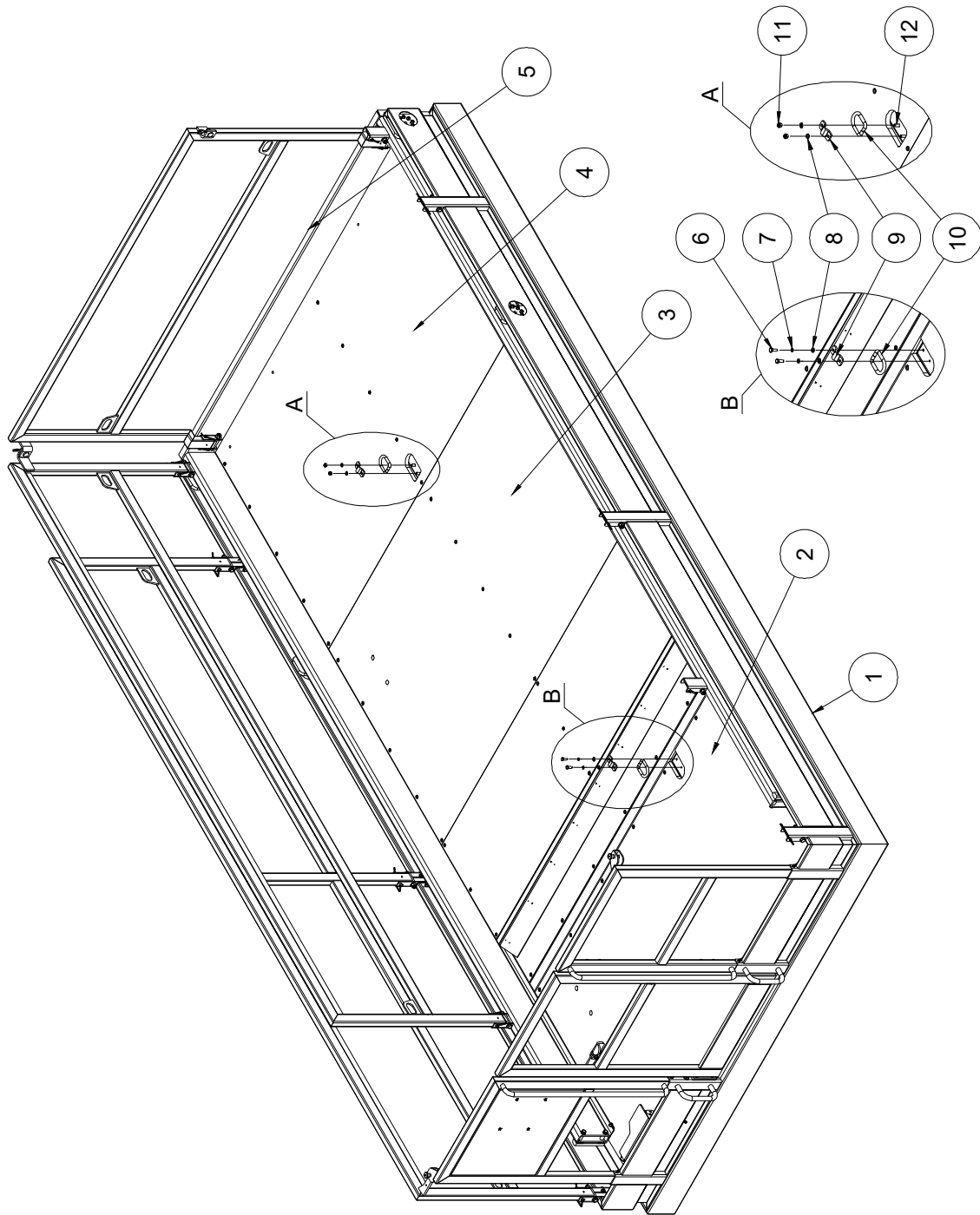
304.1 Top Telescopic Cylinder Assembly



304.1 Top Telescopic Cylinder Assembly

Item	Part No.	Description	Qty.
1	00001257	Nut GB/T 6182 M16	1
2	10011381	Locating plate	1
3	00002411	Bolt GB/T 5783 M10×45	2
4	00000615	Washer GB/T 97.1 10	4
5	00000623	Nut GB/T 6182 M10	2
6	10011520	Extension cylinder	1
--	00006645	Seal kit	1
7	00001055	Bolt GB/T 5783 M12×40	2
8	00000814	Washer GB/T 97.1 12	4
9	00001249	Nut GB/T 6182 M12	2
10	00002921	Straight fitting	2
11	00000608	Washer GB/T 97.1 8	4
12	00000609	Washer GB/T 93 8	4
13	00002051	Screw GB/T 70.1 M8×16	4
14	10011369	Bracket	1
15		Counterbalance manifold assembly (refer to 405.1)	1

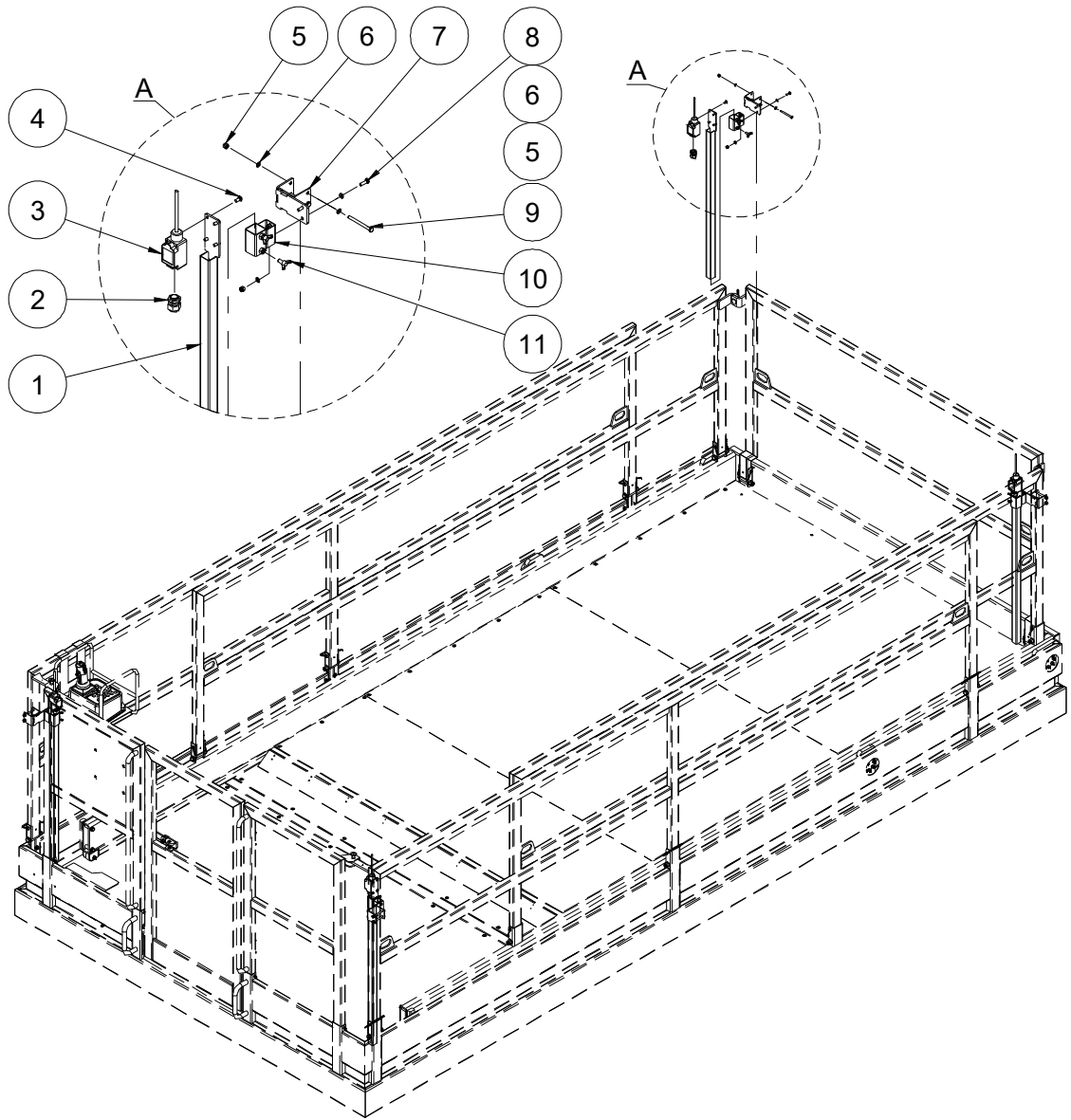
305.1 Platform Safety Rings (Option)



305.1 Platform Safety Rings (Option)

Item	Part No.	Description	Qty.
1	10018884	Main deck weldment	1
2	10019087	Main platform deck plate 1	1
3	10019089	Platform extension deck plate 2	1
4	10019088	Platform extension deck plate 3	1
5	10018886	Extension deck weldment	1
6	00000875	Bolt GB/T 5783 M8×20	2
7	00000609	Washer GB/T 93 8	2
8	00000608	Washer GB/T 97.1 8	4
9	10018899	Ring seat	2
10	10018898	Safety ring	2
11	00001163	Nut GB/T 6182 M8	2
12	00003607	Bolt GB/T 5783 M8×50	2

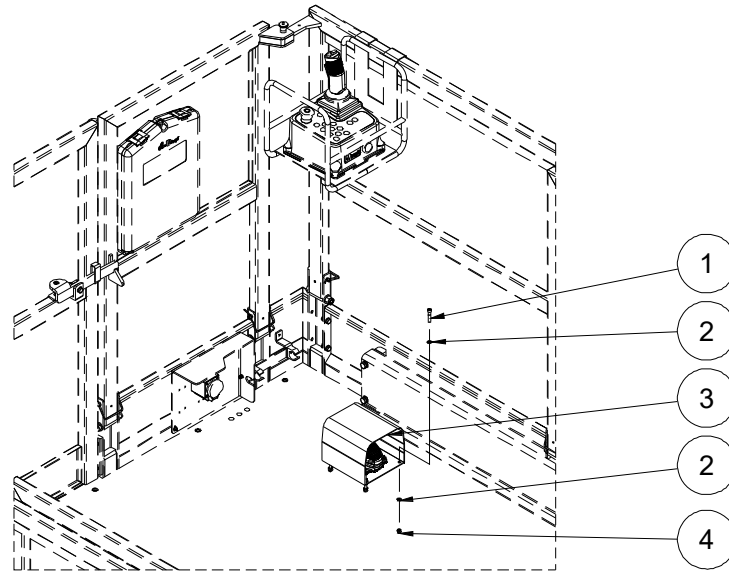
306.1 Protective Device Assembly (Option)



306.1 Protective Device Assembly (Option)

Item	Part No.	Description	Qty.
1	10001704	Switch rod	4
2	00005422	Water-proof joint M20	4
3	00002606	Limit switch	4
4	00001060	Screw GB/T 818 M6×12 - H	16
5	00001033	Nut GB/T 6182 M6	16
6	00000620	Washer GB/T 97.1 6	32
7	10021157	Bracket	4
8	00000743	Bolt GB/T 5783 M6×20	8
9	00002600	Bolt GB/T 5782 M6×70	8
10	10021160	Bracket	4
11	00002586	Screw M8×16	8

307.1 Footswitch Installation (Option)

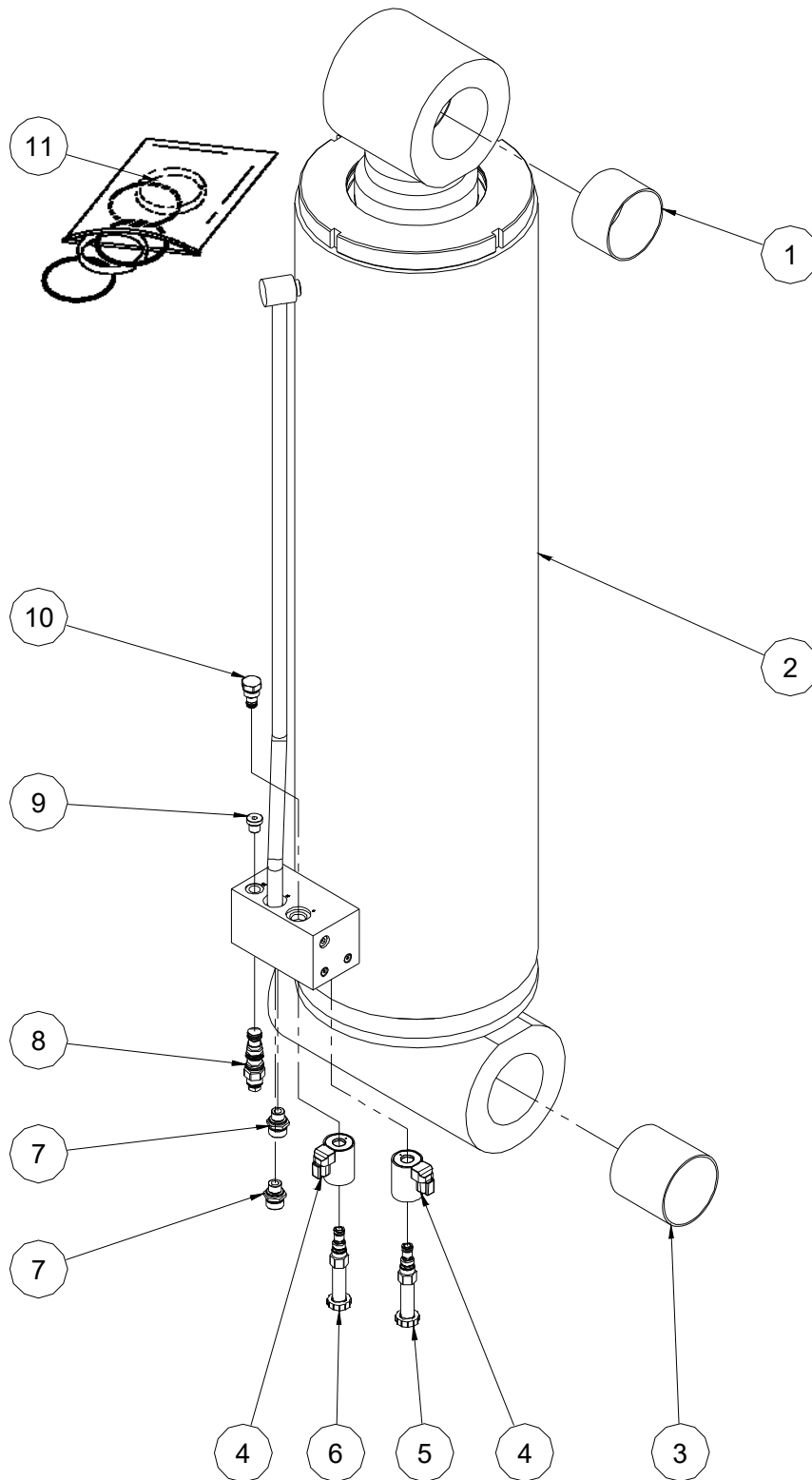


307.1 Footswitch Installation (Option)

Item	Part No.	Description	Qty.
1	00002934	Screw GB/T 70.1 M6×35	4
2	00000620	Washer GB/T 97.1 6	8
3	00007858	Footswitch	1
4	00001033	Nut GB/T 6182 M6	4

Section 4 Hydraulic System

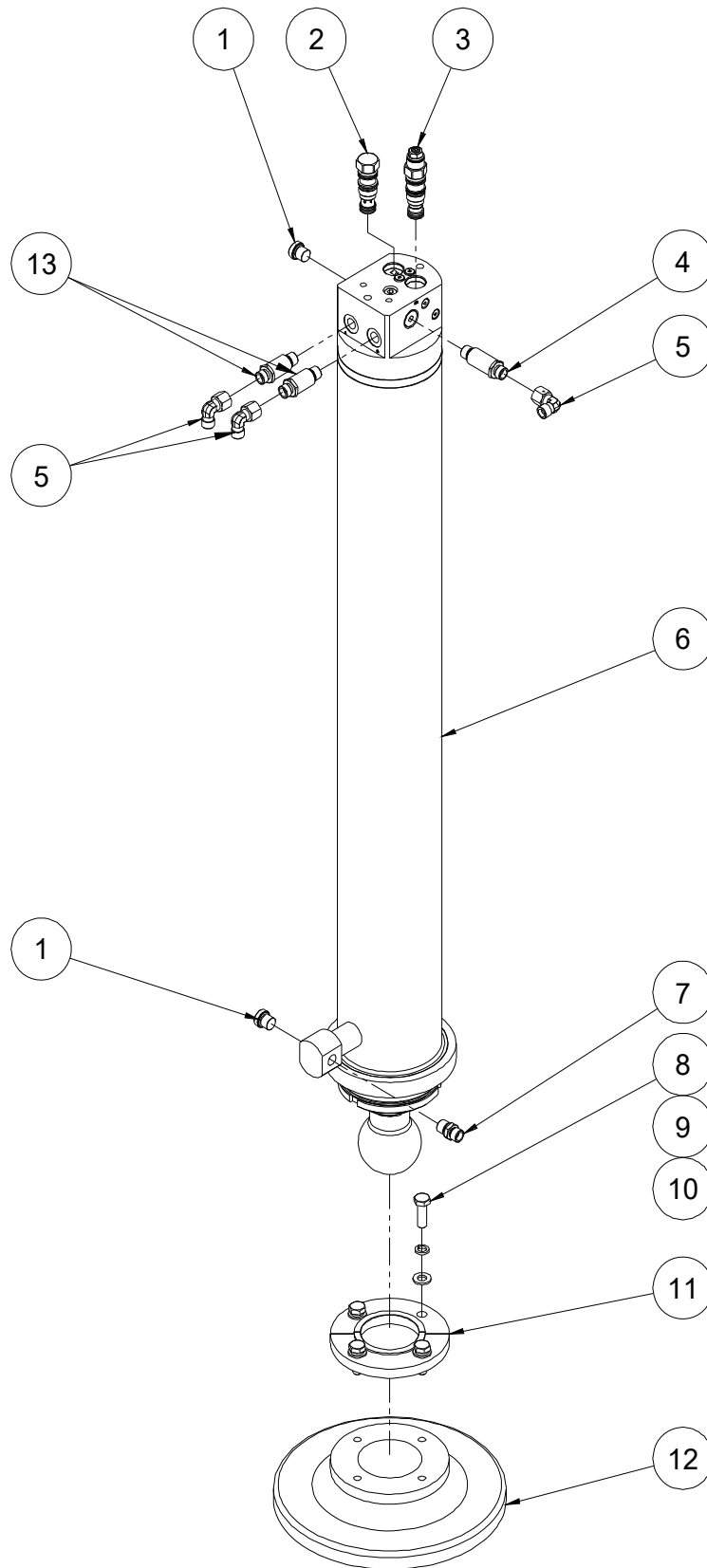
401.1 Lift Cylinder Assembly



401.1 Lift Cylinder Assembly

Item	Part No.	Description	Qty.
1	00006149	8812-909560A Bearing	2
2	10011850	Lift cylinder	1
3	00006140	8812-909590A Bearing	2
4	00004592	Coil	2
5	00004591	Solenoid valve spool	1
6	00006453	Proportional valve	1
7	00001265	Straight fitting	2
8	00004587	Counterbalance valve spool	1
9	00001073	Plug VST114×1.5ED	1
10	10000404	Check valve	1
11	00006506	Seal kit	1

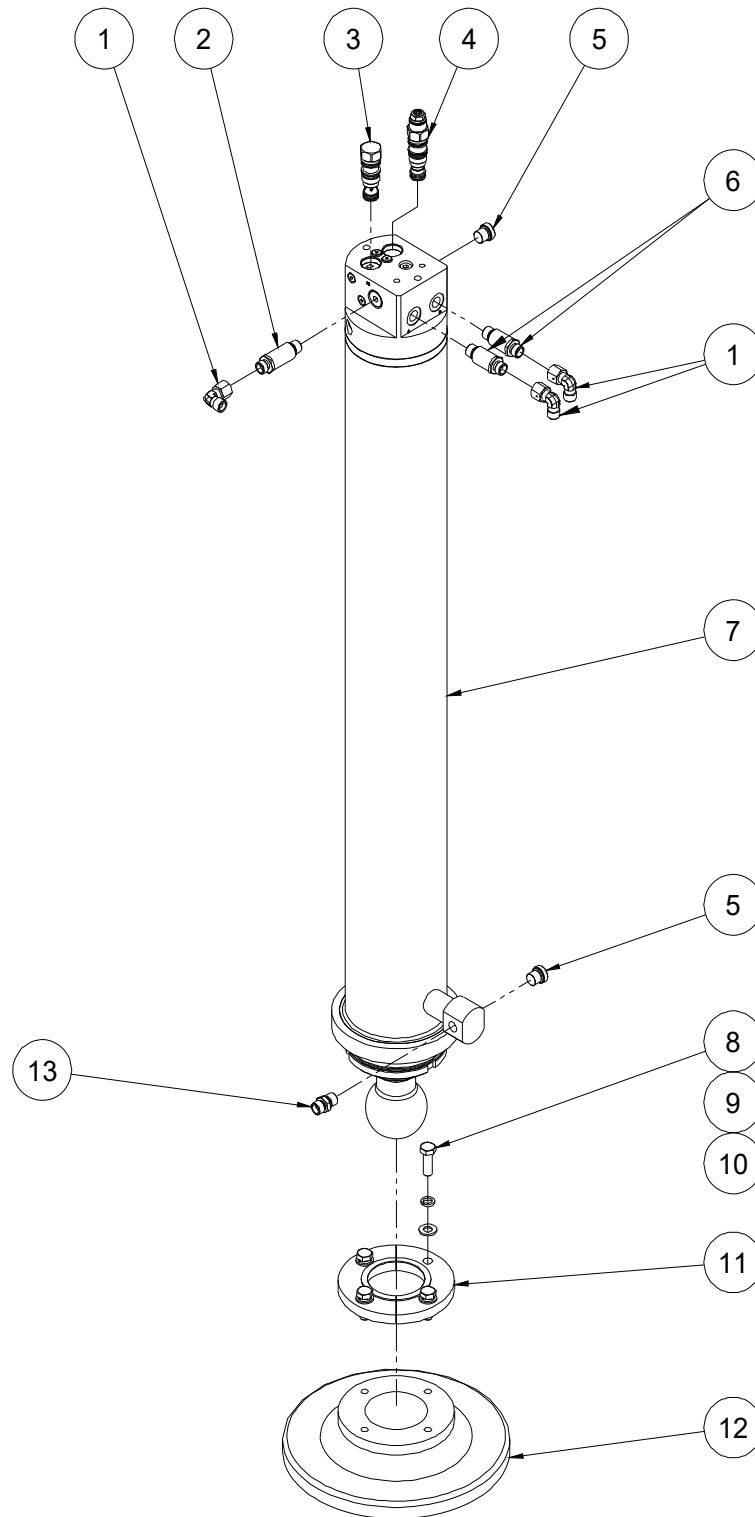
402.1 Left Outrigger Cylinder Assembly



402.1 Left Outrigger Cylinder Assembly

Item	Part No.	Description	Qty.
1	00001073	Plug VST114×1.5ED	2
2	00009693	Pilot-operated check valve (CK1, CK2, CK3, CK4)	1
3	00009755	Counterbalance valve spool (CB1, CB2, CB3, CB4)	1
4	00010021	Straight fitting	1
5	00001832	Elbow	3
6	10022637	Outrigger cylinder	1
--	00009694	Seal kit	1
6	10022402	Outrigger cylinder	1
--	00010865	Seal kit	1
7	00001282	Straight fitting	1
8	00000683	Bolt GB/T 5783 M10×30	4
9	00000679	Washer GB/T 93 10	4
10	00000615	Washer GB/T 97.1 10	4
11	10011095	Retainer	1
12	10011094	Outrigger footpad	1
13	00003758	Elbow	2

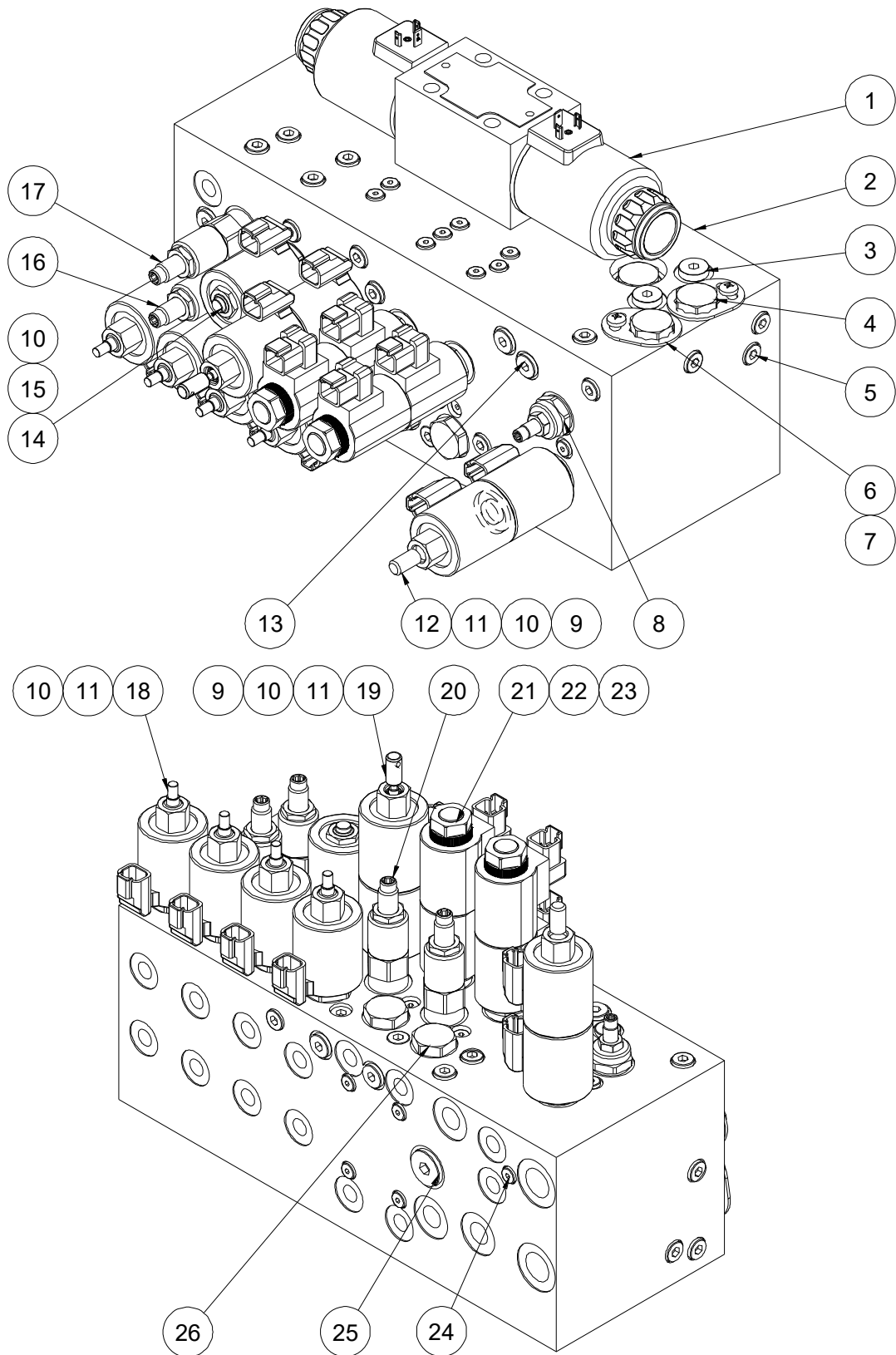
403.1 Right Outrigger Cylinder Assembly



403.1 Right Outrigger Cylinder Assembly

Item	Part No.	Description	Qty.
1	00001832	Elbow	3
2	00010021	Straight fitting	1
3	00009693	Pilot-operated check valve (CK1, CK2, CK3, CK4)	1
4	00009755	Counterbalance valve spool (CB1, CB2, CB3, CB4)	1
5	00001073	Plug VST114×1.5ED	2
6	00003758	Straight fitting	2
7	10022637	Outrigger cylinder	1
--	00009694	Seal kit	1
7	10022402	Outrigger cylinder	1
--	00010865	Seal kit	1
8	00000683	Bolt GB/T 5783 M10×30	4
9	00000679	Washer GB/T 93 10	4
10	00000615	Washer GB/T 97.1 10	4
11	10011095	Retainer	1
12	10011094	Outrigger footpad	1
13	00001282	Straight fitting	1

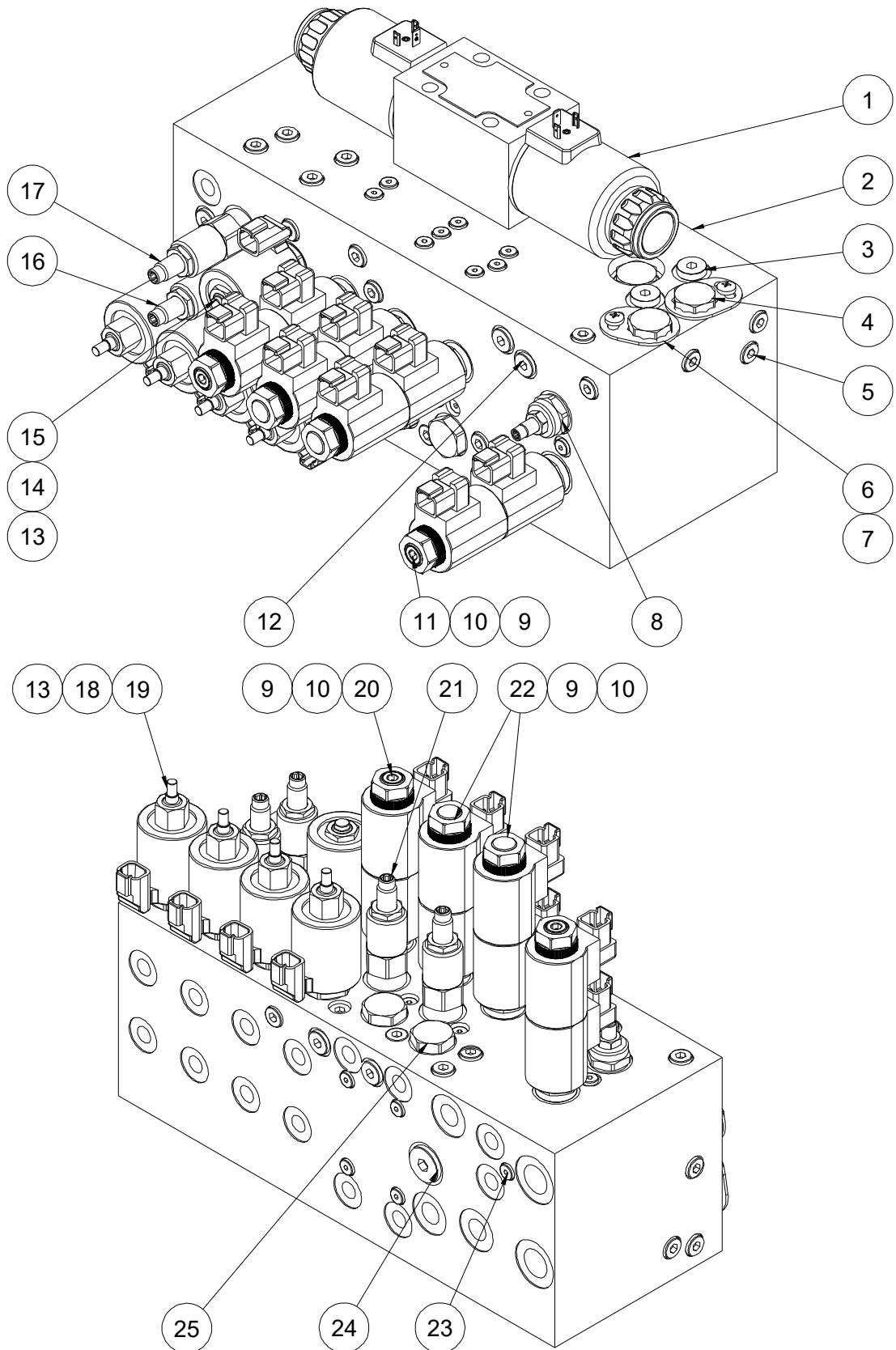
404.1 Function Manifold



404.1 Function Manifold

Item	Part No.	Description	Qty.
1	00007241	Solenoid valve (SV6)	1
2	00007232	Valve body	1
3	00001073	Plug VST114×1.5ED	2
4	00008783	Check valve (CV1, CV2, CV3)	3
5	00002998	Plug SAE4	24
6	00008822	Lock sheet	2
7	00008823	Screw GB/T 818 M6×8-H	2
8	00007158	Flow control valve (FC1)	1
9	00006735	Washer	2
10	00006733	Coil	9
11	00004371	Nut	6
12	00007242	Solenoid valve spool (SV7)	1
13	00003361	Plug SAE6	7
14	00007239	Solenoid valve spool (SV10)	1
15	00003017	Nut	1
16	00007240	Relief valve (RV4)	1
17	00007149	Relief valve (RV1)	1
18	00007148	Solenoid valve spool (SV2, SV3, SV4, SV5)	4
	00009652	Solenoid valve spool (SV2, SV3, SV4, SV5)	4
19	00007147	Solenoid valve spool (SV1)	1
20	00007144	Relief valve (RV2, RV3)	2
21	00004307	Proportional valve (SV8, SV9)	2
22	00003319	Coil	4
23	00003353	Nut	2
24	00002999	Plug SAE2	19
25	00004332	Plug SAE10	1
26	00007143	Pilot-operated check valve (POC1, POC2, POC3, POC4)	4

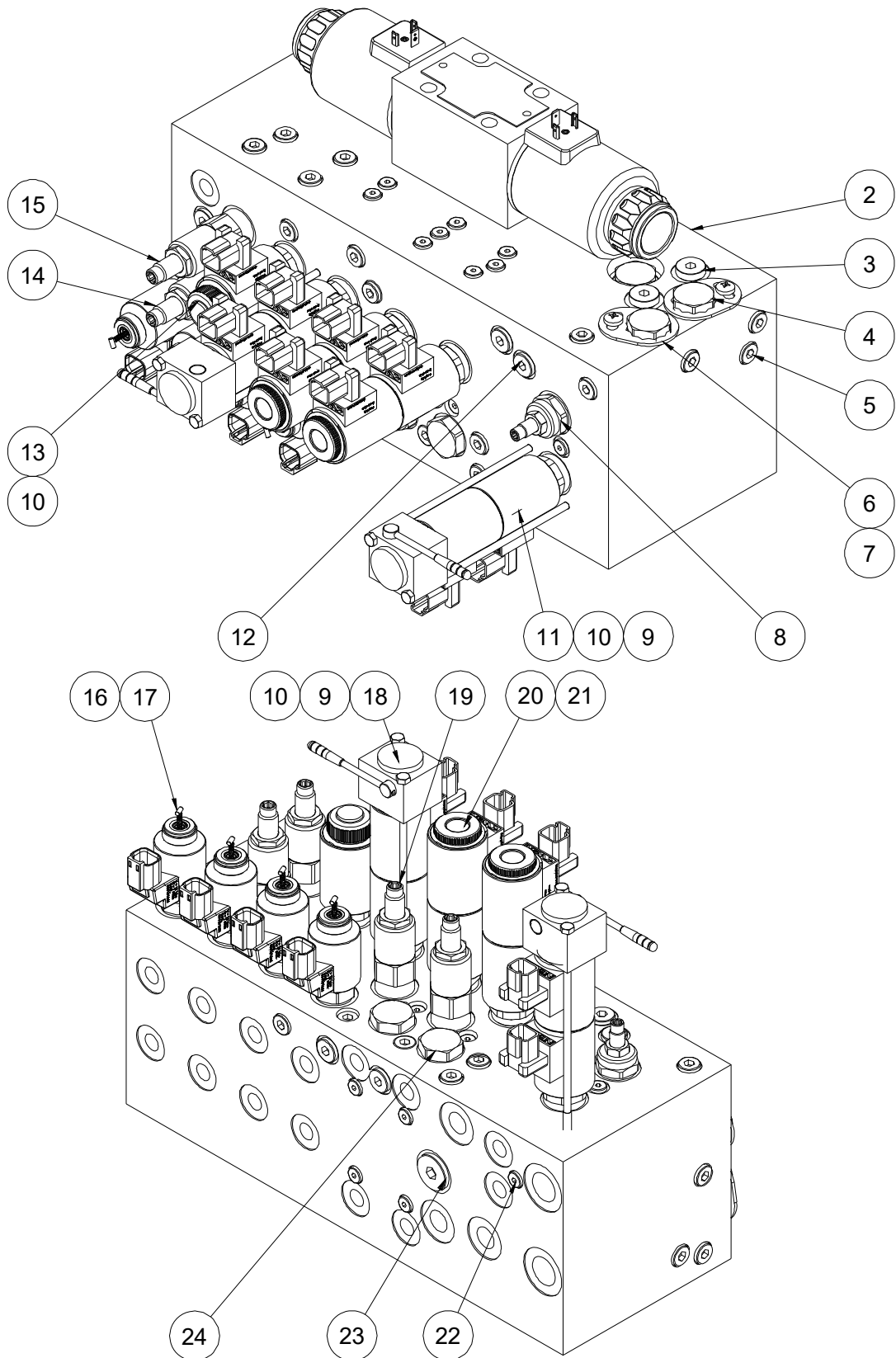
404.2 Function Manifold



404.2 Function Manifold

Item	Part No.	Description	Qty.
1	00007241	Solenoid valve (SV6)	1
2	00007232	Valve body	1
3	00001073	Plug VST114×1.5ED	2
4	00008783	Check valve (CV1, CV2, CV3)	3
5	00002998	Plug SAE4	24
6	00008822	Lock sheet	2
7	00008823	Screw GB/T 818 M6×8-H	2
8	00007158	Flow control valve (FC1)	1
9	00003319	Coil	8
10	00003353	Nut	4
11	00003679	Solenoid valve spool (SV7)	1
12	00003361	Plug SAE6	7
13	00006733	Coil	5
14	00003017	Nut	1
15	00007239	Solenoid valve spool (SV10)	1
16	00007240	Relief valve (RV4)	1
17	00007149	Relief valve (RV1)	1
18	00004371	Nut	4
19	00007148	Solenoid valve spool (SV2, SV3, SV4, SV5)	4
	00009652	Solenoid valve spool (SV2, SV3, SV4, SV5)	4
20	00003303	Solenoid valve spool (SV1)	1
21	00007144	Relief valve (RV2, RV3)	2
22	00004307	Proportional valve (SV8, SV9)	2
23	00002999	Plug SAE2	19
24	00004332	Plug SAE10	1
25	00007143	Pilot-operated check valve (POC1, POC2, POC3, POC4)	4

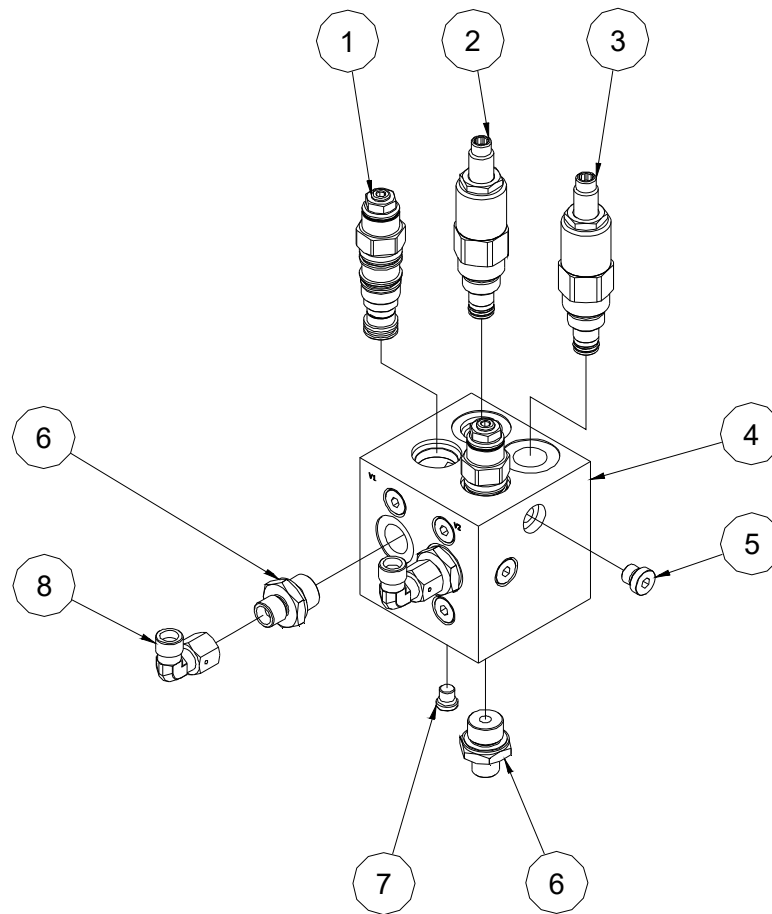
404.3 Function Manifold



404.3 Function Manifold

Item	Part No.	Description	Qty.
1	00007241	Solenoid valve (SV6)	1
2	00007232	Valve body	1
3	00001073	Plug VST114×1.5ED	2
4	00009541	Check valve (CV1, CV2, CV3)	3
5	00002998	Plug SAE4	24
6	00008822	Lock sheet	2
7	00008823	Screw GB/T 818 M6×8-H	2
8	00009546	Flow control valve (FC1)	1
9	00009526	Handle	2
10	00009528	Coil	5
11	00009542	Solenoid valve spool (SV7)	1
12	00003361	Plug SAE6	7
13	00009531	Solenoid valve spool (SV10)	1
14	00007240	Relief valve (RV4)	1
15	00007149	Relief valve (RV1)	1
16	00009527	Coil	4
17	00009530	Solenoid valve spool (SV2, SV3, SV4, SV5)	4
18	00009529	Solenoid valve spool (SV1)	1
19	00007144	Relief valve (RV2, RV3)	2
20	00009544	Proportional valve (SV8, SV9)	2
21	00009545	Coil	4
22	00002999	Plug SAE2	19
23	00004332	Plug SAE10	1
24	00007143	Pilot-operated check valve (POC1, POC2, POC3, POC4)	4

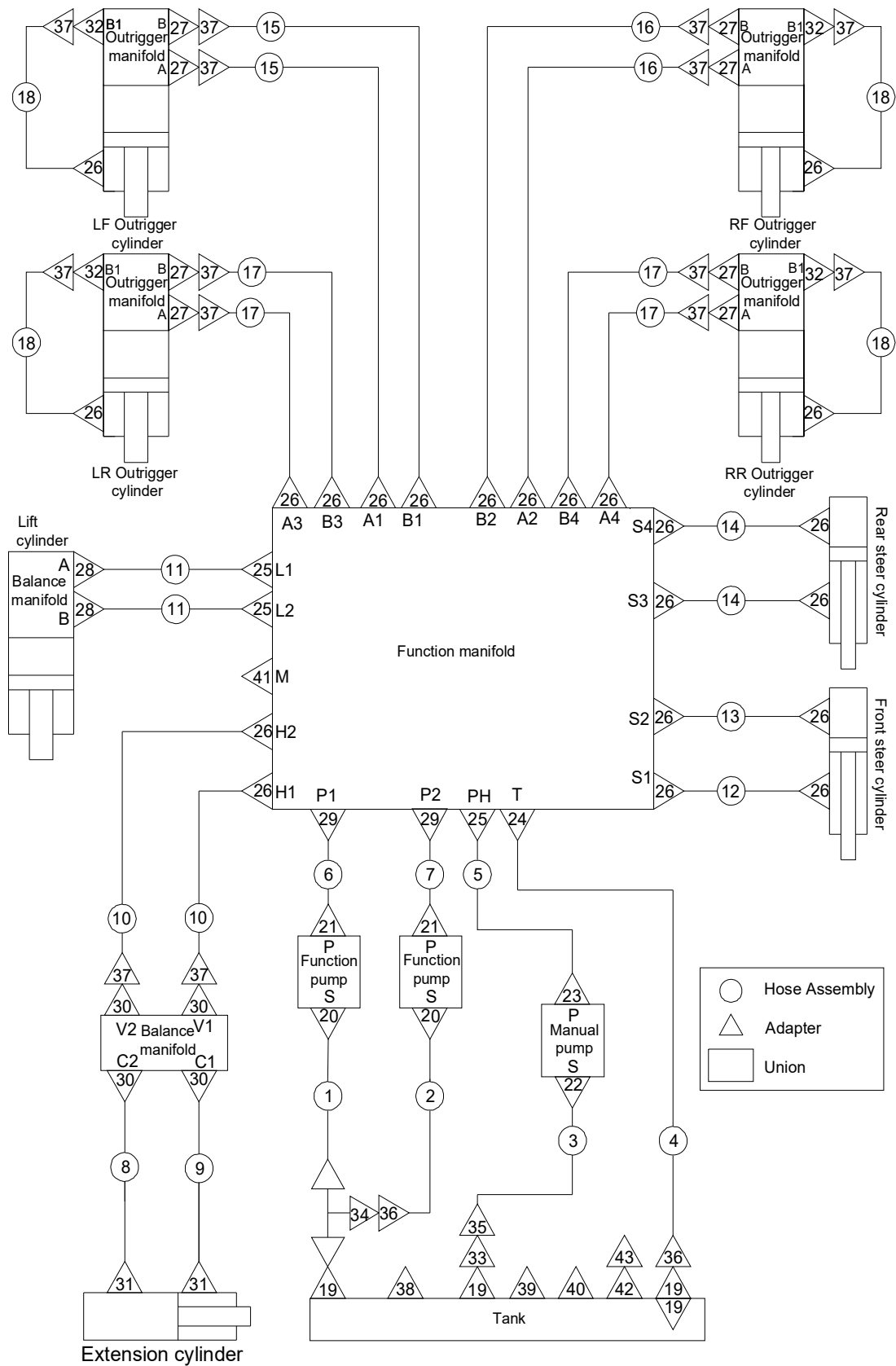
405.1 Counterbalance Manifold Assembly



405.1 Counterbalance Manifold Assembly

Item	Part No.	Description	Qty.
1	00007257	Counterbalance valve spool	2
2	00006792	Relief valve	1
3	00007258	Relief valve	1
4	00007256	Valve body	1
5	00001112	Plug VST11/8ED	8
6	00005693	Straight fitting	4
7	00002999	Plug SAE2	2
8	00001832	Elbow	2

406.1 Hydraulic Hoses and Fittings



406.1 Hydraulic Hoses and Fittings

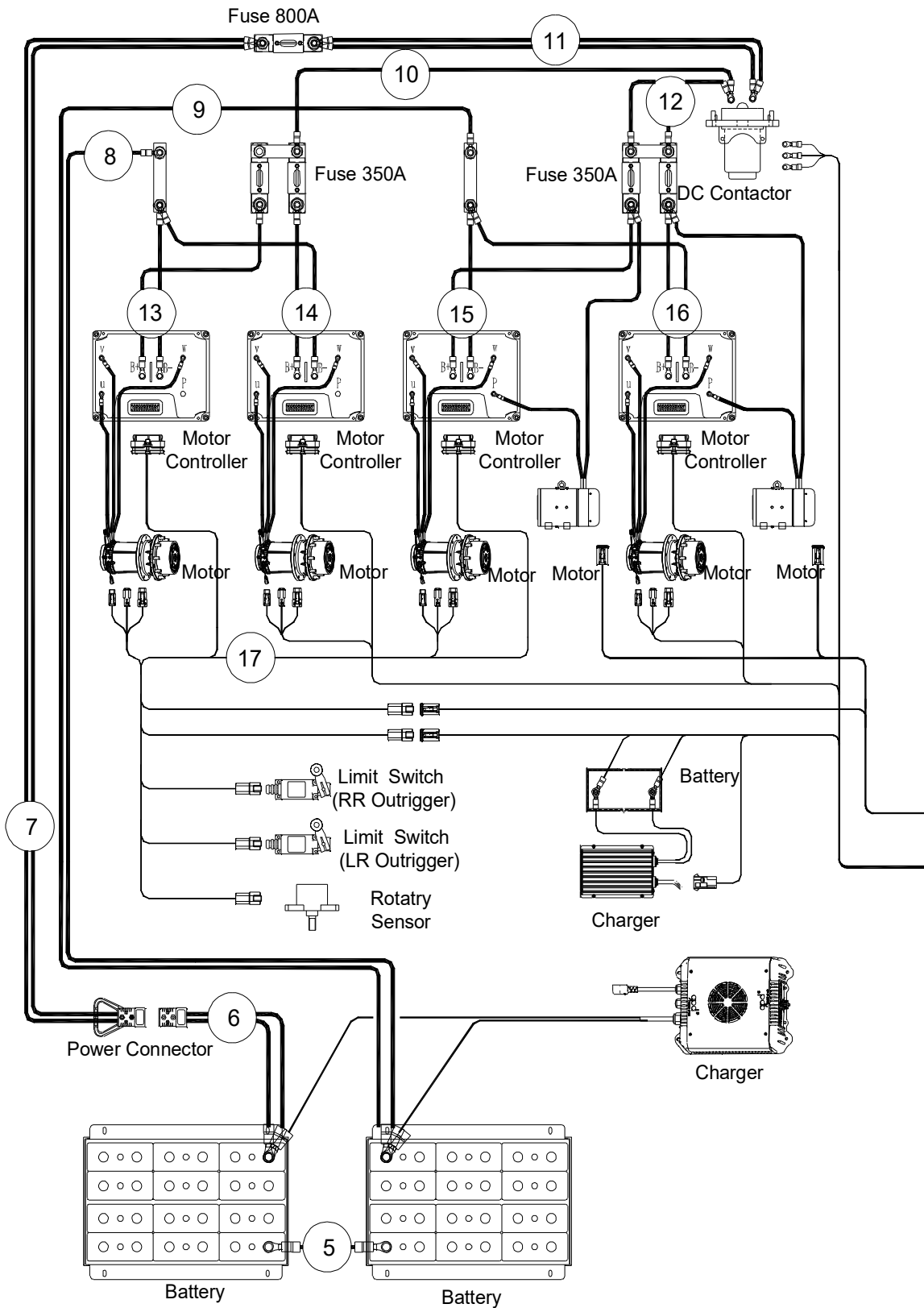
Item	Part No.	Description	Qty.
1	00007800	Hose assembly	1
2	00007801	Hose assembly	1
3	00007086	Hose assembly	1
4	00007252	Hose assembly	1
5	00006356	Hose assembly	1
6	00007253	Hose assembly	1
7	00007802	Hose assembly	1
8	00006197	Hose assembly	1
9	00006899	Hose assembly	1
10	00008771	Hose assembly (JCPT1923DC)	2
	00006350	Hose assembly (JCPT2223DC)	2
11	00007083	Hose assembly	2
12	00007058	Hose assembly	1
13	00007084	Hose assembly	1
14	00007085	Hose assembly	2
15	00005025	Hose assembly	2
16	00007092	Hose assembly	2
17	00004194	Hose assembly	4
18	00006388	Hose assembly	4
19	00003964	Straight fitting	4
20	00001512	Straight fitting	2
21	00001748	Straight fitting	2
22	00001506	Straight fitting	1
23	00001507	Straight fitting	1
24	00002071	Straight fitting	1
25	00001264	Straight fitting	3
26	00001282	Straight fitting	22
27	00003758	Straight fitting	8
28	00001265	Straight fitting	2

406.1 Hydraulic Hoses and Fittings

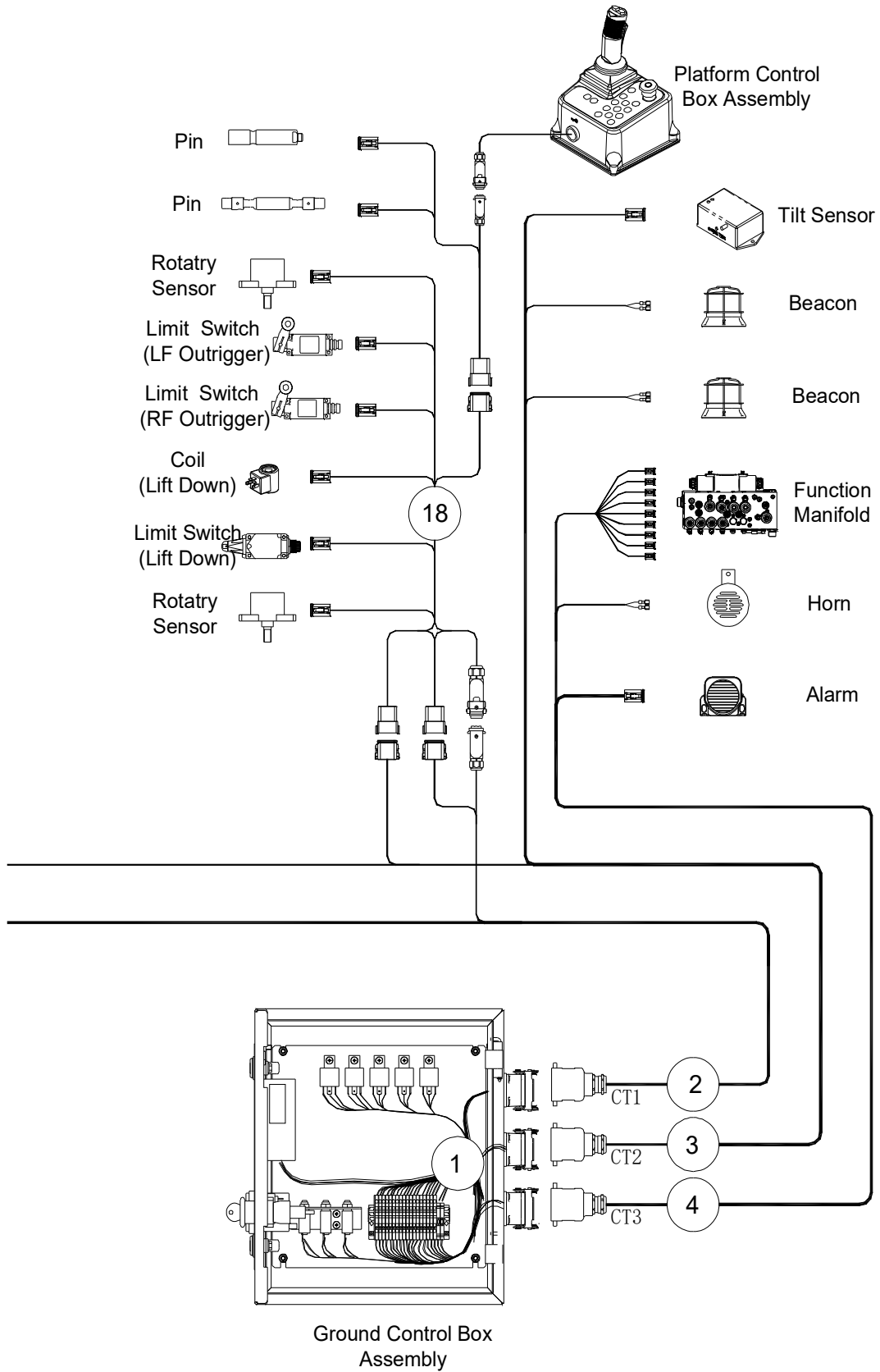
Item	Part No.	Description	Qty.
29	00003696	Straight fitting	2
30	00005693	Straight fitting	4
31	00002921	Straight fitting	2
32	00010021	Straight fitting	4
33	00003844	Straight fitting	1
34	00001242	Tee fitting	1
35	00001835	Elbow	1
36	00001837	Elbow	2
37	00001832	Elbow	14
38	00001076	Plug VSTI20×1.5ED	1
39	00001080	Plug VSTI33×2ED	1
40	00001078	Plug VSTI26×1.5ED	1
41	00001073	Plug VSTI14×1.5ED	1
42	50000523	Washer	1
43	50000197	G3/4 Plug	1

Section 5 Electrical System

501.1 Electrical Harness



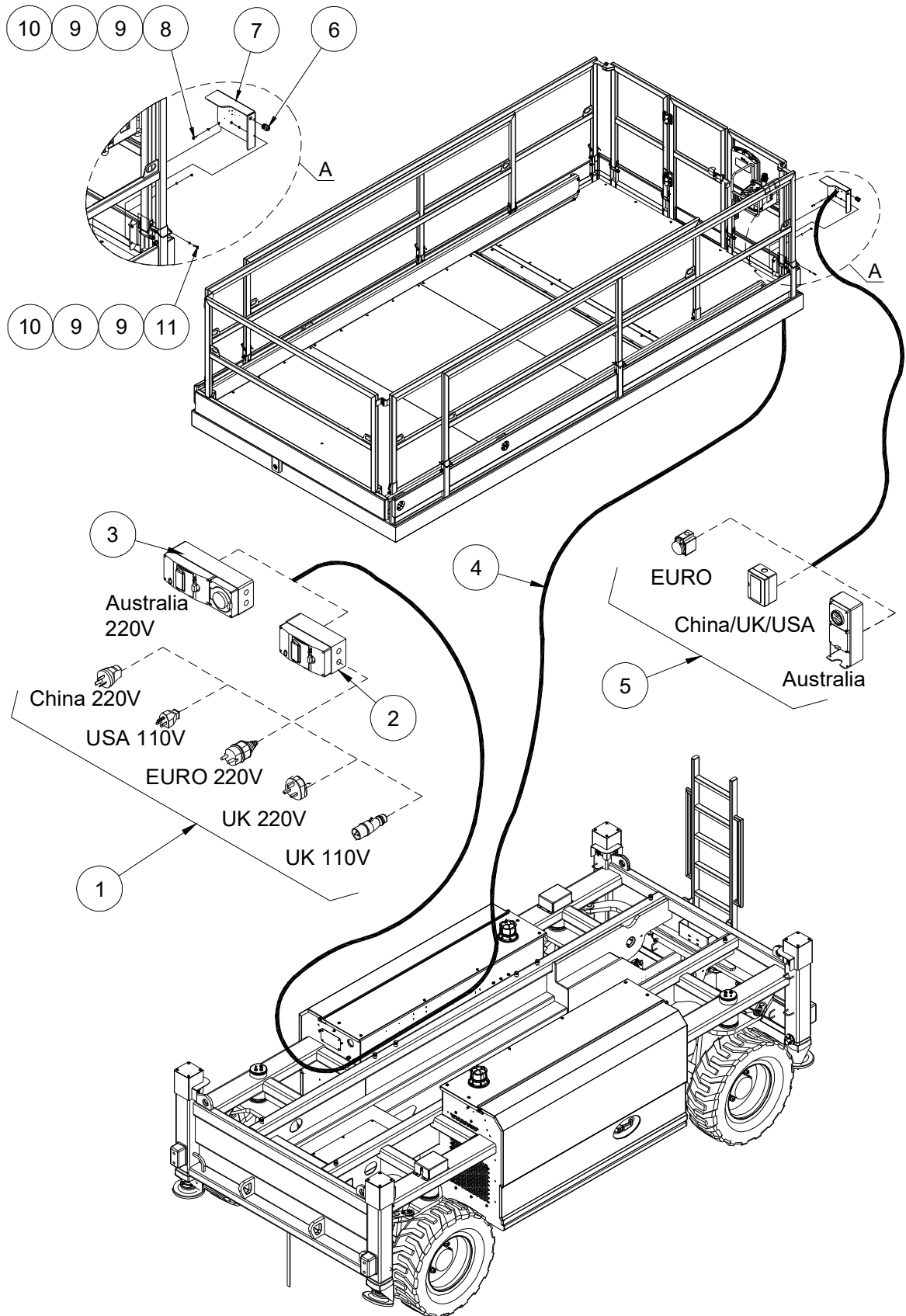
501.1 Electrical Harness



501.1 Electrical Harness

Item	Part No.	Description	Qty.
1	00007096	Ground control box harness	1
2	00007063	CT1 harness	1
3	00007064	CT2 harness	1
4	00007065	CT3 harness	1
5	00007079	Battery harness	1
6	00007068	Battery positive harness 1	1
7	00007080	Battery positive harness 2	1
8	00007078	Battery negative harness 2	1
9	00007077	Battery negative harness 1	1
10	00007071	Fuse harness 1	1
11	00007070	DC Contactor harness	1
12	00007072	Fuse harness 2	1
13	00007075	Motor controller harness 3	1
14	00007073	Motor controller harness 1	1
15	00007076	Motor controller harness 4	1
16	00007074	Motor controller harness 2	1
17	00007066	Drive function harness	1
18	00007067	Front function harness	1

502.1 Power to Platform

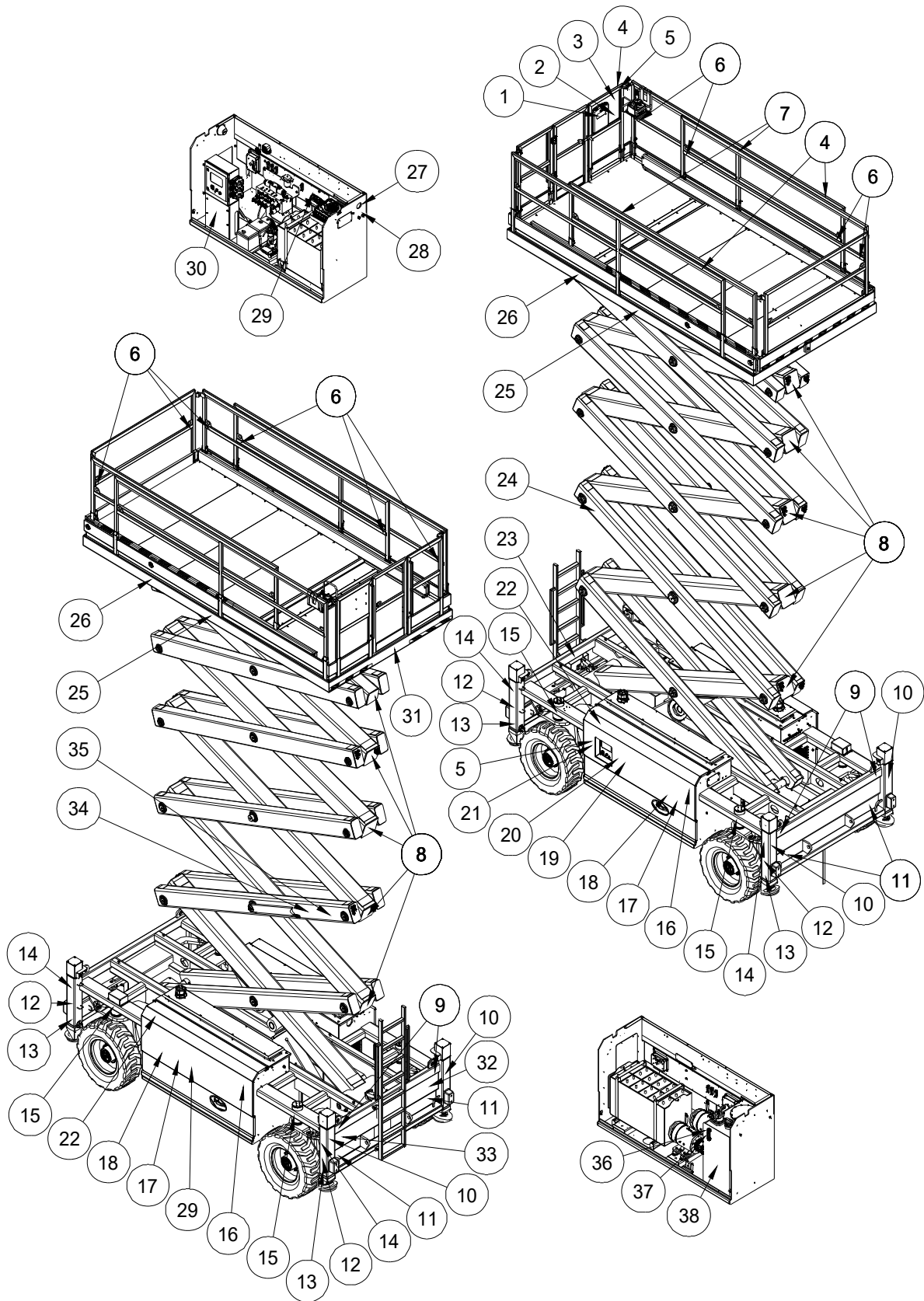


502.1 Power to Platform

Item	Part No.	Description	Qty.
1	00003148	AC plug (China 220V)	1
	00003149	AC plug (USA 110V)	1
	00003151	AC plug (European 220V)	1
	00003150	AC plug (UK 220V)	1
	00002615	AC plug (UK 110V)	1
2	00002634	Circuit breaker (Option)	1
3	00002603	AC plug (Australia 220V)	1
4	00006644	Wire cable, platform AC power	1
5	00002709	AC socket (European)	1
	00000668	AC socket (China/UK/USA)	1
	00002617	AC socket (Australia) (AC socket bracket: 10009657)	1
6	00001828	Water-proof joint M20	1
7	10013157	Socket mount plate	1
8	00001246	Screw GB/T 70.1 M5×16	1
9	00000605	Washer GB/T 97.1 5	6
10	00000613	Nut GB/T 6182 M5	3
11	00000817	Screw GB/T 70.1 M5×20	2

Section 6 Decal

601.1 Decals with Words



601.1 Decals with Words

Item	Part No.	Description	Qty.
1	09340001	Decal, Notice-Keep the manual with the machine	1
2	09440119	Decal, Danger-Tip-over hazard, tilt-alarm	1
3	09440001	Decal, Danger-General safety rules	1
4	09340070	Decal, Symbols-Non operating hand position	3
5	09340003	Decal, Instructions-Refer the operator to the instructions for use	2
6	09440011	Decal, Label-Lanyard anchorage point	10
7	09440212	Decal, Warning-Crushing hazard	2
8	09430007	Decal, Symbols-Crushing hazard	10
9	09310049	Decal, Instructions-Lift point	4
10	09420005	Decal, Warning-Collision hazard	4
11	09310050	Decal, Instructions-Tie down point	4
12	09410157	Decal, Symbols-Outrigger using warning	4
13	09310338	Decal, Instructions-Maximum outrigger load 3830kg (JCPT1923DC)	4
	09310142	Decal, Instructions-Maximum outrigger load 4030kg (JCPT2223DC)	4
14	09410069	Decal, Warning-Crushing hazard, outrigger	4
15	09310199	Decal, Instructions-Maximum wheel load 3830kg (JCPT1923DC)	4
	09310140	Decal, Instructions-Maximum wheel load 4030kg (JCPT2223DC)	4
16	09540001	Decal, Label-CE	2
17	09410140	Decal, Warning-Filling water warning	2
18	09410001	Decal, Danger-Explosion/burn hazard	2
19	09310148	Decal, Instructions-Emergency	1
20	09410071	Decal, Warning-Injection hazard	1
21	09410003	Decal, Warning-Inspected and operation properly	1
22	09910086	Decal, Label-JCPT1923DC (JCPT1923DC)	2
	09910043	Decal, Label-JCPT2223DC (JCPT2223DC)	2
23	09410005	Decal, Danger-Do not alter or disable limit switch	1

601.1 Decals with Words

Item	Part No.	Description	Qty.
24	09330013	Decal, Instructions-Grease filling port	1
25	09440007	Decal, Caution-Max. manual force 400N	2
26	09640194	Decal, Cosmetic-JCPT1923DC (JCPT1923DC)	2
	09640142	Decal, Cosmetic-JCPT2223DC (JCPT2223DC)	2
27	09310219	Decal, Instructions-Battery charger	1
28	09310217	Decal, Instructions-Power to platform	1
29	09310349	Decal, Notice-Main power switch operation	2
30	09310340	Decal, Symbols-Emergency operating instructions	1
	09310522	Decal, Symbols-Emergency operating instructions	1
31	09440071	Decal, Label-Capacity 750kg	1
32	09310306	Decal, Instructions-Grease filling port	1
33	09310308	Decal, Instructions-Grease filling port	1
34	09430028	Decal, Danger-Safety arm	1
35	09330011	Decal, Instructions-Grease filling port	1
36	09310052	Decal, Instructions-Highest oil level	1
37	09310053	Decal, Instructions-Lowest oil level	1
38	09310054	Decal, Instructions-Hydraulic	1

601.1 Decals with Words

① 09340001

② 09440119

③ 09440001

④ 09340070

⑤ 09340003

⑧ 09430007

⑨ 09310049

⑥ 09440011

⑦ 09440212

⑩ 09420005

⑫ 09410157

⑪ 09310050

⑬ 09310338

⑮ 09310199

⑮ 09310140

⑭ 09410069

⑬ 09310142

⑰ 09410140

⑲ 09310148

⑱ 09410001

⑳ 09410071

㉑ 09410003

㉒ 09910086

㉓ 09410005

㉔ 09440007

㉕ 09910043

601.1 Decals with Words

(26) 09640194

JCPT1923DC

(31) 09440071

(26) 09640142

JCPT2223DC

(30) 09310340

(30) 09310522

(32) 09310305

(33) 09310307

(27) 09310219

BATTERY CHARGER

(28) 09310217

POWER TO PLATFORM

(29) 09310349

NOTICE

Cut off the power when the machine is repaired or not used for long period.

(34) 09430028

DANGER

Crushing Hazard

Death or serious injury can result from contact with moving scissor arms.

Don't engage safety arms unless unload platform.

Engage safety arm before performing maintenance or repair.

(36) 09310052

(37) 09310053

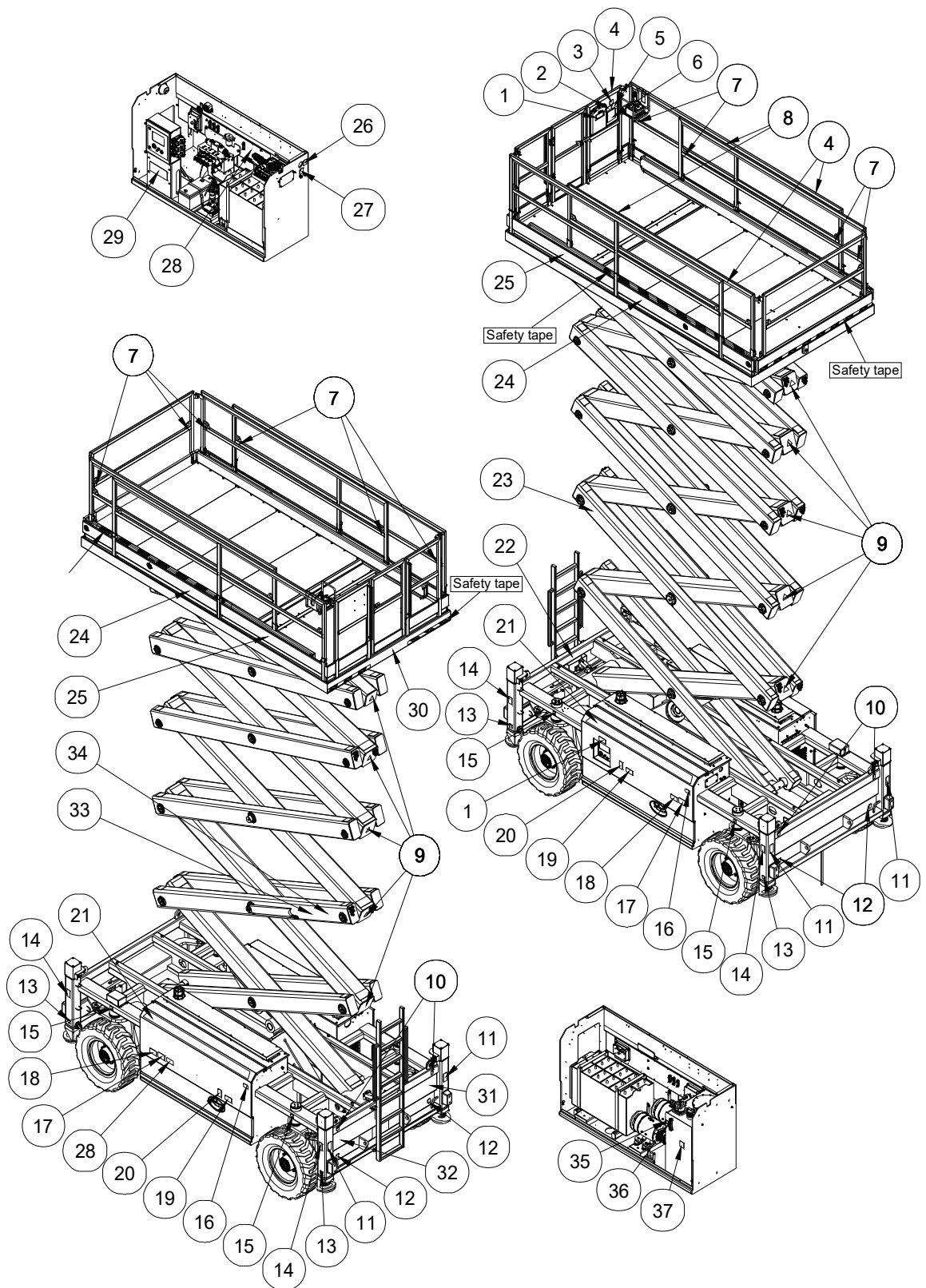
(38) 09310054

HYDRAULIC

(24) 09330012

(35) 09330010

602.1 Decals with Symbols



602.1 Decals with Symbols

Item	Part No.	Description	Qty.
1	09340026	Decal, Symbols-Refer the operator to the instructions for use	2
2	09440094	Decal, Symbols-Tip-over hazard, outrigger	1
3	09340028	Decal, Instructions-Directional arrows	1
4	09340070	Decal, Symbols-Non operating hand position	3
5	09440090	Decal, Symbols-Tip-over hazard, tilt-alarm	1
6	09440091	Decal, Symbols-General safety rules	1
7	09440089	Decal, Label-Lanyard anchorage point	10
8	09440212	Decal, Warning-Crushing hazard	2
9	09430007	Decal, Symbols-Crushing hazard	10
10	09310049	Decal, Instructions-Lift point	4
11	09410043	Decal, Symbols-Collision hazard	4
12	09310050	Decal, Instructions-Tie down point	4
13	09310353	Decal, Instructions-Maximum outrigger load: 3830kg (JCPT1923DC)	4
	09310071	Decal, Instructions-Maximum outrigger load: 4030kg (JCPT2223DC)	4
14	09410042	Decal, Symbols-Crushing hazard	4
15	09310352	Decal, Instructions-Maximum wheel load: 3830kg (JCPT1923DC)	4
	09310070	Decal, Instructions-Maximum wheel load: 4030kg (JCPT2223DC)	4
16	09540001	Decal, Label-CE	2
17	09410147	Decal, Symbols-Charge warning	2
18	09410048	Decal, Symbols-Explosion/burn hazard	2
19	09410049	Decal, Symbols-Electrocution hazard	2
20	09410050	Decal, Symbols-Injection hazard	2
21	09910086	Decal, Label-JCPT1923DC (JCPT1923DC)	2
	09910043	Decal, Label-JCPT2223DC (JCPT2223DC)	2
22	09410051	Decal, Symbols-Do not alter or disable limit switch	1
23	09330015	Decal, Instructions-Grease filling port	1

602.1 Decals with Symbols

Item	Part No.	Description	Qty.
24	09440072	Decal, Symbols-Max. manual force 400N	2
25	09640194	Decal, Cosmetic-JCPT1923DC (JCPT1923DC)	2
	09640142	Decal, Cosmetic-JCPT2223DC (JCPT2223DC)	2
26	09310355	Decal, Symbols-Battery charging instructions	1
27	09310098	Decal, Symbols-Platform power instructions	1
28	09310354	Decal, Notice-Main power switch operation	2
29	09310340	Decal, Symbols-Emergency operating instructions	1
	09310522	Decal, Symbols-Emergency operating instructions	1
30	09440071	Decal, Label-Capacity 750kg	1
31	09310336	Decal, Instructions-Grease filling port	1
32	09310337	Decal, Instructions-Grease filling port	1
33	09430008	Decal, Symbols-Safety arm	1
34	09330014	Decal, Instructions-Grease filling port	1
35	09310052	Decal, Instructions-Highest Hydraulic Oil Level	1
36	09310053	Decal, Instructions-Lowest Hydraulic Oil Level	1
37	09310073	Decal, Instructions-Hydraulic Oil	1

602.1 Decals with Symbols

① 09340026 	② 09440094 	③ 09340028 	⑥ 09440091
④ 09340070 	⑤ 09440090 	⑦ 09440089 	
⑧ 09440212 	⑩ 09310049 	⑪ 09410043 	
⑨ 09430007 	⑫ 09310050 	⑬ 09310338 	⑬ 09310142
⑭ 09410042 	⑮ 09310199 	⑯ 09540001 	⑰ 09410147
	⑮ 09310140 	⑱ 09410048 	⑲ 09410049
⑳ 09410050 	㉒ 09410051 	㉓ 09330015 	
	㉔ 09440072 		
㉑ 09910086 			

602.1 Decals with Symbols

②⑤ 09640194
JCPT1923DC

②⑤ 09640142
JCPT2223DC

②⑨ 09310340

②⑥ 09310355

②⑦ 09310098

②⑨ 09310522

③① 09440071

②⑧ 09310354

③① 09310336

③③ 09430008

③② 09310337

③④ 09330014

③⑤ 09310052

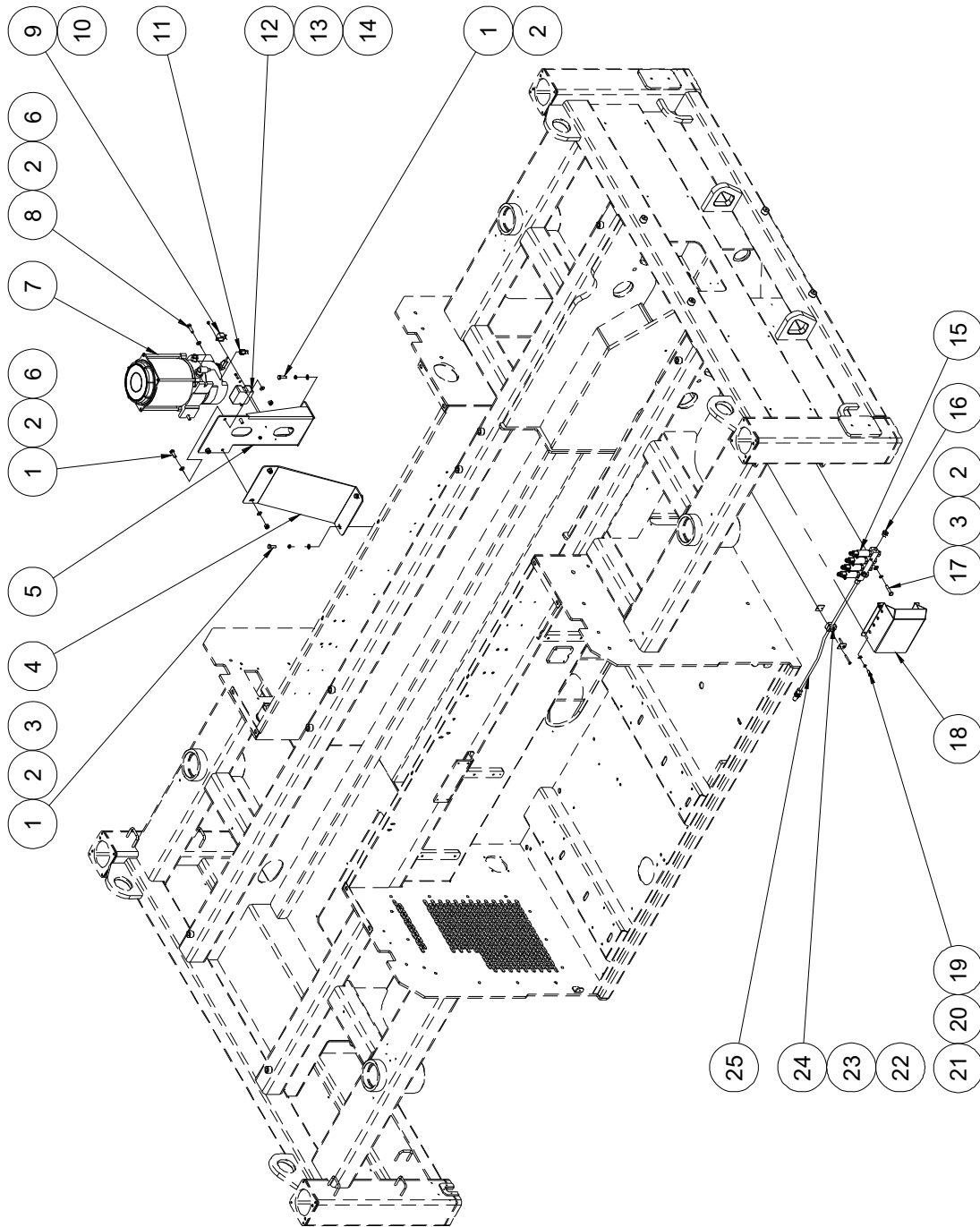
③⑦ 09310073

③⑥ 09310053

Section 7

Automatic Lubrication Systems

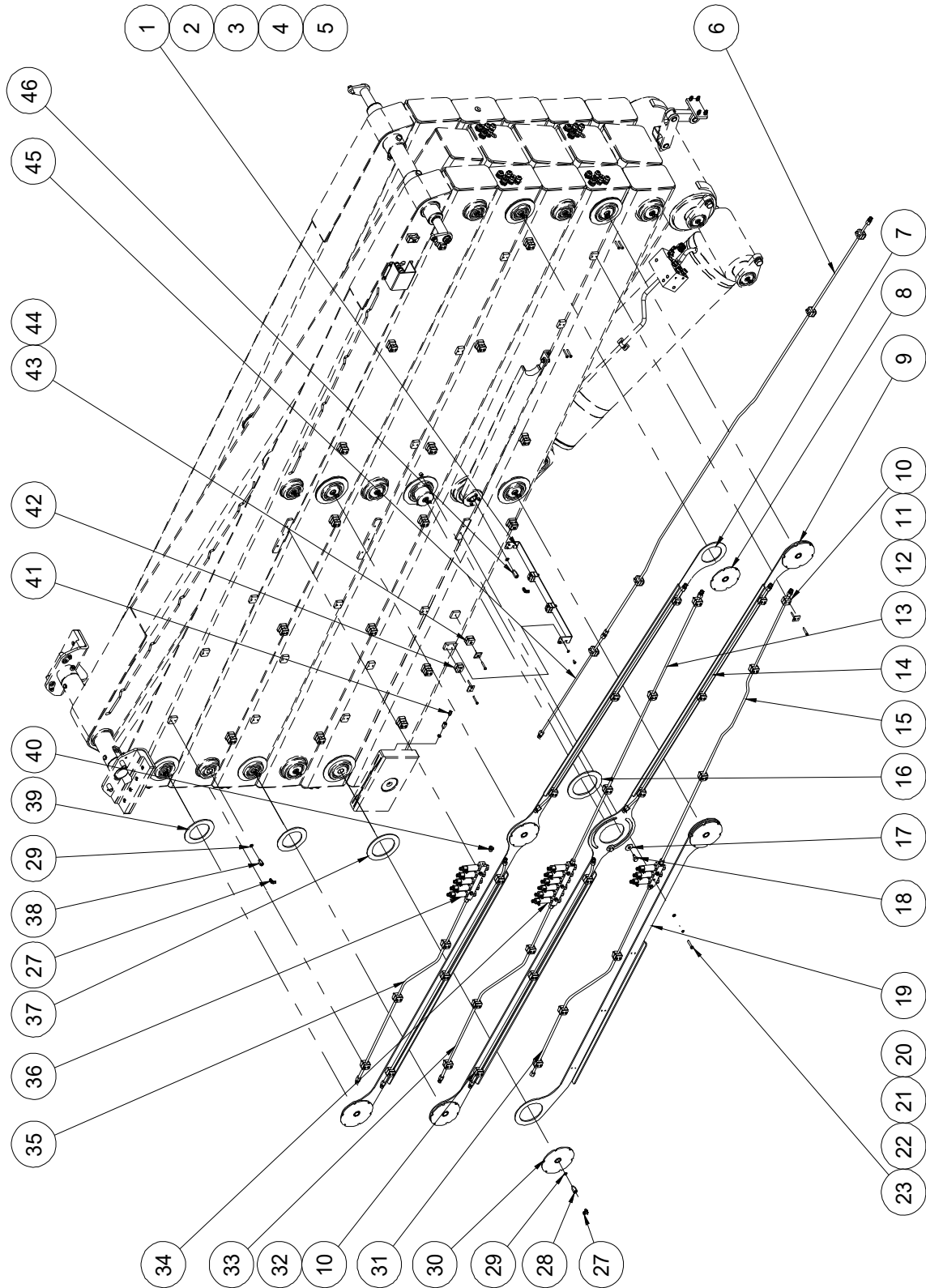
701.1 Automatic Lubrication Systems - Chassis Components



701.1 Automatic Lubrication Systems - Chassis Components

Item	Part No.	Description	Qty.
1	00000683	Bolt GB/T 5783 M10×30	8
2	00000615	Washer GB/T 97.1 10	16
3	00000679	Washer GB/T 93 10	8
4	10018530	Support plate	1
5	10018299	Pump bracket	1
6	00000623	Nut GB/T 6182 M10	4
7	00008660	Pump	1
8	00000684	Bolt GB/T 5783 M10×35	2
9	00002206	Relay	1
10	00001010	Screw GB/T 976 M5×8	1
11	00008939	Straight fitting	1
12	00008922	Power (12V to 24V)	1
13	00001252	Screw GB/T 70.1 M5×12	2
14	00000605	Washer GB/T 97.1 5	2
15	10019770	QSL metering device assembly 2	1
--	00008662	QSL metering device	1
--	00008958	Straight fitting	4
16	00001113	Plug VSTI3/8ED	1
17	00002411	Bolt GB/T 5783 M10×45	2
18	10018529	Cover	1
19	00000875	Bolt GB/T 5783 M8×20	4
20	00000609	Washer GB/T 93 8	4
21	00000608	Washer GB/T 97.1 8	4
22	00002312	Bolt GB/T 5782 M6×45	2
23	00008840	Base plate	2
24	00008826	Hose clamp	1
25	10019240	Pipe assembly 10	1

702.1 Automatic Lubrication Systems - Scissor Components (JCPT2223DC)



702.1 Automatic Lubrication Systems - Scissor Components (JCPT2223DC)

Item	Part No.	Description	Qty.
1	10018297	Hose bridge 4	1
2	00001033	Nut GB/T 6182 M6	4
3	00000620	Washer GB/T 97.1 6	10
4	00000745	Bolt GB/T 5783 M6×12	4
5	00002312	Bolt GB/T 5782 M6×45	4
6	10019222	Pipe assembly 1	1
7	10018293	Hose bridge 3	1
8	10019177	Protection plate 1	3
9	10018286	Hose bridge 2	1
10	00008826	Hose clamp	33
11	00008840	Base plate	56
12	00003176	Bolt GB/T 5782 M6×40	86
13	10019232	Pipe assembly 8	1
14	10019229	Pipe assembly 6	4
15	10019228	Pipe assembly 5	1
16	10019174	Washer 3	2
17	00002601	Washer	2
18	10024574	Screw	2
19	10018285	Hose bridge 1	1
20	10019394	QSL metering device assembly 1	1
--	00008662	QSL metering device	1
--	00008825	QSL metering device	1
--	10019227	Pipe 4	1
--	00008836	Retaining nut M16×1.5	2
--	00008837	Cutting ring 10	2
--	00001499	Straight fitting	2
--	00008958	Straight fitting	7
21	00000608	Washer GB/T 97.1 8	9

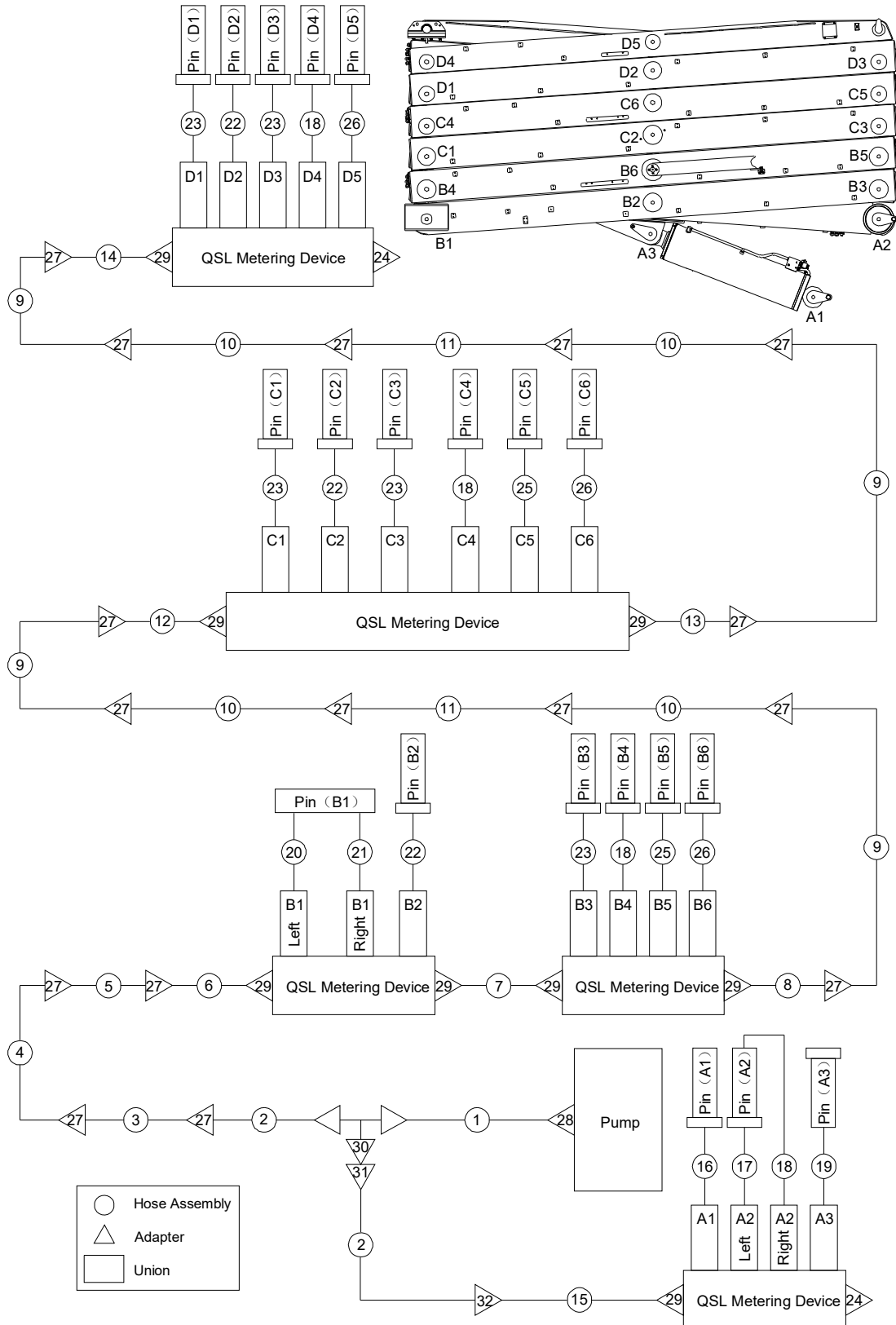
702.1 Automatic Lubrication Systems - Scissor Components (JCPT2223DC)

Item	Part No.	Description	Qty.
22	00000609	Washer GB/T 93 8	9
23	00002604	Bolt GB/T 5783 M8×40	9
24	10014141	Clamp	3
25	00000621	Washer GB/T 93 6	6
26	00008512	Screw GB/T 70.1 M6×10	6
27	00008665	Elbow	20
28	10019190	Fitting 3	7
29	00001332	Washer JB/T 982 10	22
30	10019178	Protection plate 2	4
31	10019225	Pipe assembly 3	1
32	00005158	Bolt GB/T 5782 M6×35	24
33	10019230	Pipe assembly 7	1
34	10019771	QSL metering device assembly 3	1
--	00008664	QSL metering device	1
--	00008958	Straight fitting	6
35	10019234	Pipe assembly 9	1
36	10019769	QSL metering device assembly 4	1
--	00008663	QSL metering device	1
--	00008958	Straight fitting	5
37	10019173	Washer 2	8
38	10018295	Fitting 1	14
39	10019172	Washer 1	6
40	00001113	Plug VSTI3/8ED	1
41	00008846	Straight fitting	2
42	00008827	Hose clamp	23
43	00008839	Hose clamp	2
44	00008844	Base plate	2
45	10019223	Pipe assembly 2	1

**702.1 Automatic Lubrication Systems - Scissor Components
(JCPT2223DC)**

Item	Part No.	Description	Qty.
46	10018296	Fitting 2	1

**703.1 Automatic Lubrication Systems - Hoses and Fittings
(JCPT2223DC)**



703.1 Automatic Lubrication Systems - Hoses and Fittings (JCPT2223DC)

Item	Part No.	Description	Qty.
1	00008865	Hose assembly	1
2	00008864	Hose assembly	2
3	10019222	Pipe assembly 1	1
--	10018281	Pipe 1	1
--	00008836	Retaining nut M16×1.5	2
--	00008837	Cutting ring 10	2
4	10019223	Pipe assembly 2	1
--	10019224	Pipe 2	1
--	00008836	Retaining nut M16×1.5	2
--	00008837	Cutting ring 10	2
5	00008863	Hose assembly	1
6	10019225	Pipe assembly 3	1
--	10018290	Pipe 3	1
--	00008836	Retaining nut M16×1.5	2
--	00008837	Cutting ring 10	2
7	10019226	Pipe assembly 4	1
--	10019227	Pipe 4	1
--	00008836	Retaining nut M16×1.5	2
--	00008837	Cutting ring 10	2
8	10019228	Pipe assembly 5	1
--	10018282	Pipe 5	1
--	00008836	Retaining nut M16×1.5	2
--	00008837	Cutting ring 10	2
9	00008862	Hose assembly	4
10	10019229	Pipe assembly 6	4
--	10018292	Pipe 6	1
--	00008836	Retaining nut M16×1.5	2
--	00008837	Cutting ring 10	2

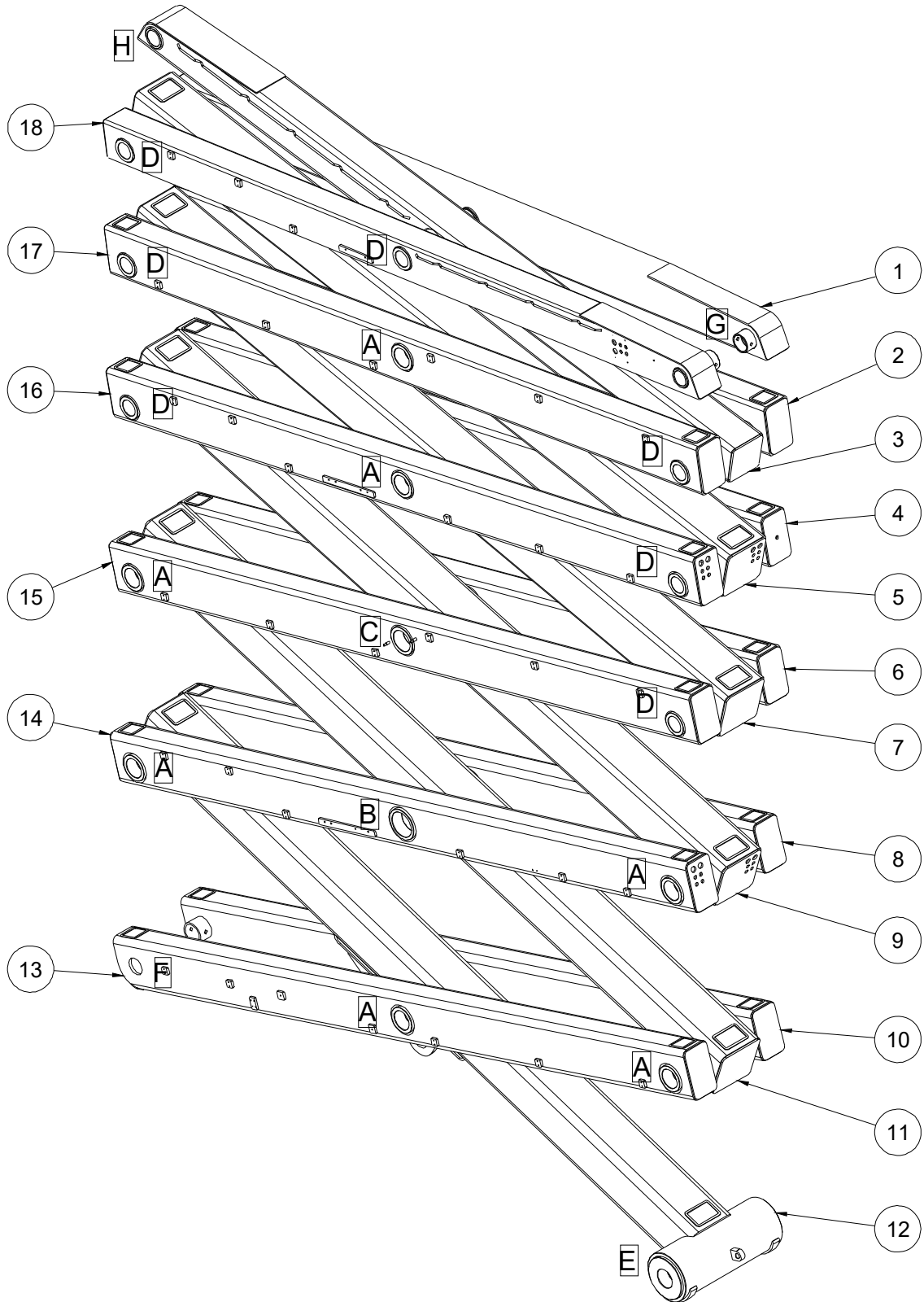
703.1 Automatic Lubrication Systems - Hoses and Fittings (JCPT2223DC)

Item	Part No.	Description	Qty.
11	00008861	Hose assembly	2
12	10019230	Pipe assembly 7	1
--	10019231	Pipe 7	1
--	00008836	Retaining nut M16×1.5	2
--	00008837	Cutting ring 10	2
13	10019232	Pipe assembly 8	1
--	10019233	Pipe 8	1
--	00008836	Retaining nut M16×1.5	2
--	00008837	Cutting ring 10	2
14	10019234	Pipe assembly 9	1
--	10019235	Pipe 9	1
--	00008836	Retaining nut M16×1.5	2
--	00008837	Cutting ring 10	2
15	10019240	Pipe assembly 10	1
--	10019239	Pipe 10	1
--	00008836	Retaining nut M16×1.5	2
--	00008837	Cutting ring 10	2
16	10021236	Hose assembly L500	1
17	10021237	Hose assembly L1000	1
18	10021238	Hose assembly L1700	4
19	10021239	Hose assembly L3300	1
20	10021240	Hose assembly L5200	1
21	10021241	Hose assembly L6200	1
22	10021242	Hose assembly L3700	3
23	10021243	Hose assembly L5500	5
24	00001113	Plug VSTI3/8ED	2
25	10021244	Hose assembly L2200	2
26	10021235	Hose assembly L300	3

**703.1 Automatic Lubrication Systems - Hoses and Fittings
(JCPT2223DC)**

Item	Part No.	Description	Qty.
27	00004468	Straight fitting	16
28	00008939	Straight fitting	1
29	00001499	Straight fitting	8
30	00002102	Tee fitting	1
31	00001833	Elbow	1
32	00002136	Straight fitting	1

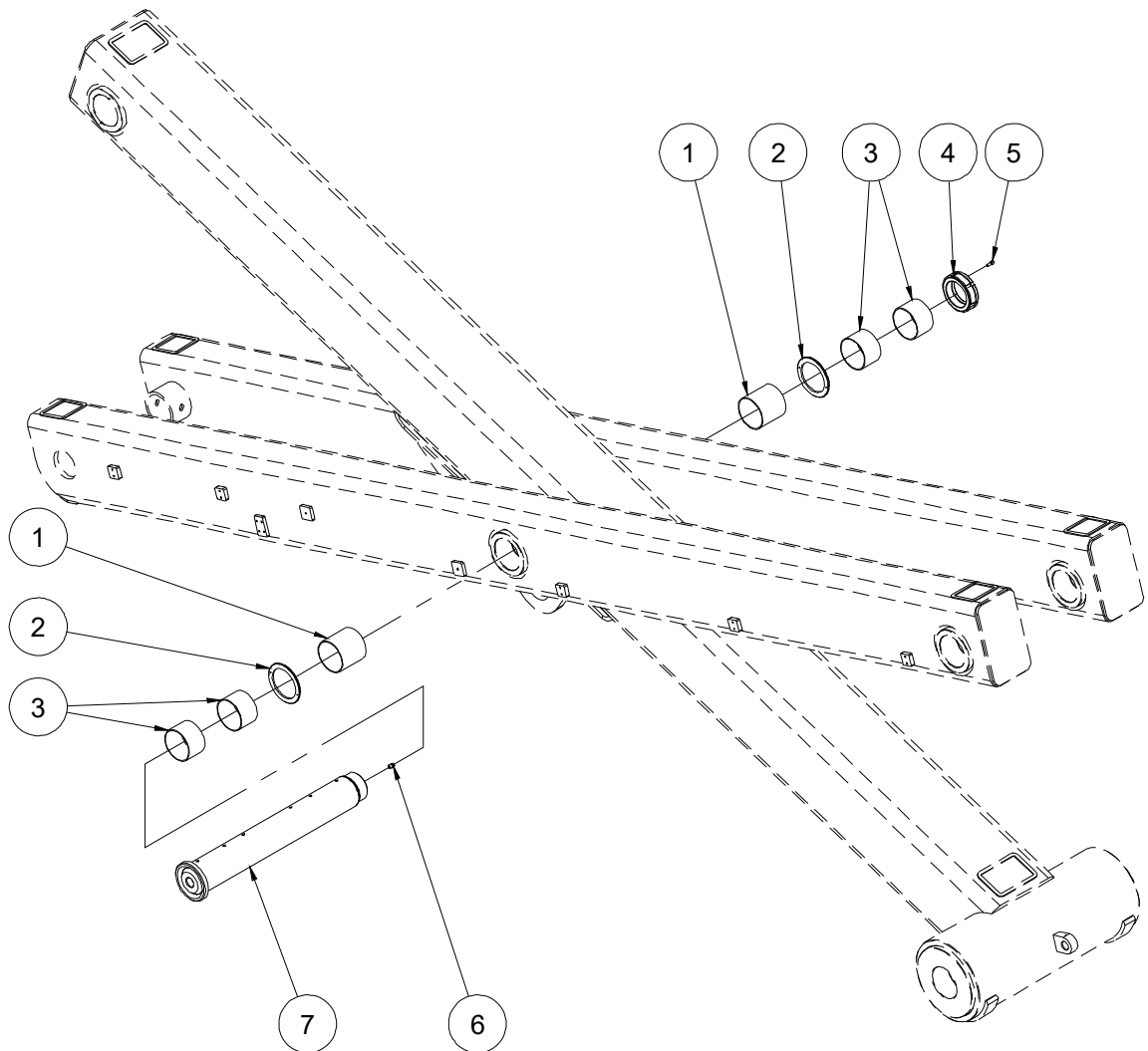
704.1 Automatic Lubrication Systems - Scissor Arms Installation (JCPT2223DC)



704.1 Automatic Lubrication Systems - Scissor Arms Installation (JCPT2223DC)

Item	Part No.	Description	Qty.
1	10009256	Outer arm 6, right	1
2	10017467	Outer arm 5	1
3	10009223	Inner arm 6	1
4	10017462	Outer arm 4, right	1
5	10017469	Inner arm 5	1
6	10017458	Outer arm 3	1
7	10017465	Inner arm 4	1
8	10009283	Outer arm 2, right	1
9	10017460	Inner arm 3	1
10	10019162	Outer arm 1, right	1
11	10009212	Inner arm 2	1
12	10019160	Inner arm 1	1
13	10019161	Outer arm 1, left	1
14	10019163	Outer arm 2, left	1
15	10019164	Outer arm 3, left	1
16	10019167	Outer arm 4, left	1
17	10019165	Outer arm 5, left	1
18	10019166	Outer arm 6, left	1

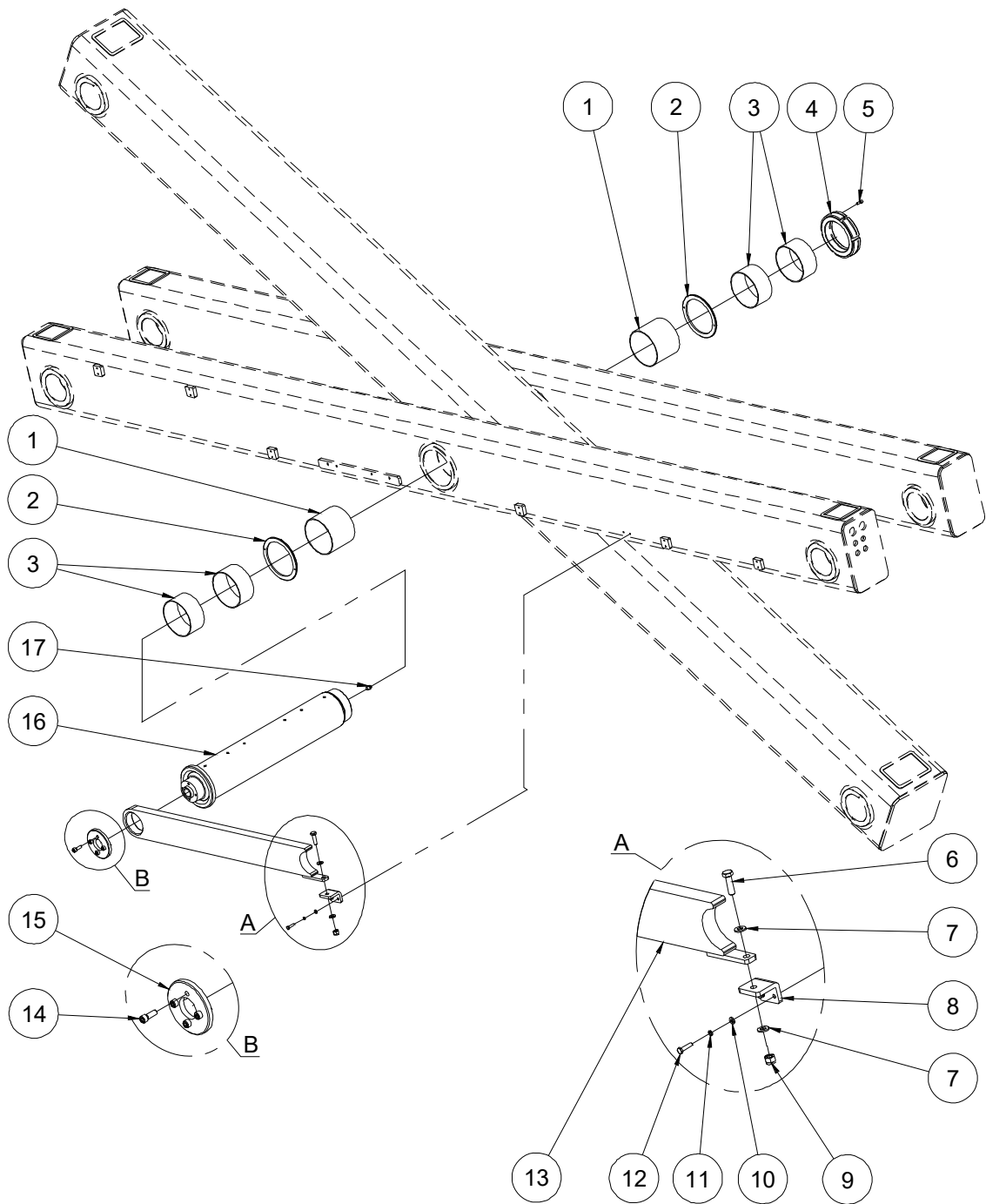
705.1 Automatic Lubrication Systems - Scissor Arm pin joint A



705.1 Automatic Lubrication Systems - Scissor Arm pin joint A

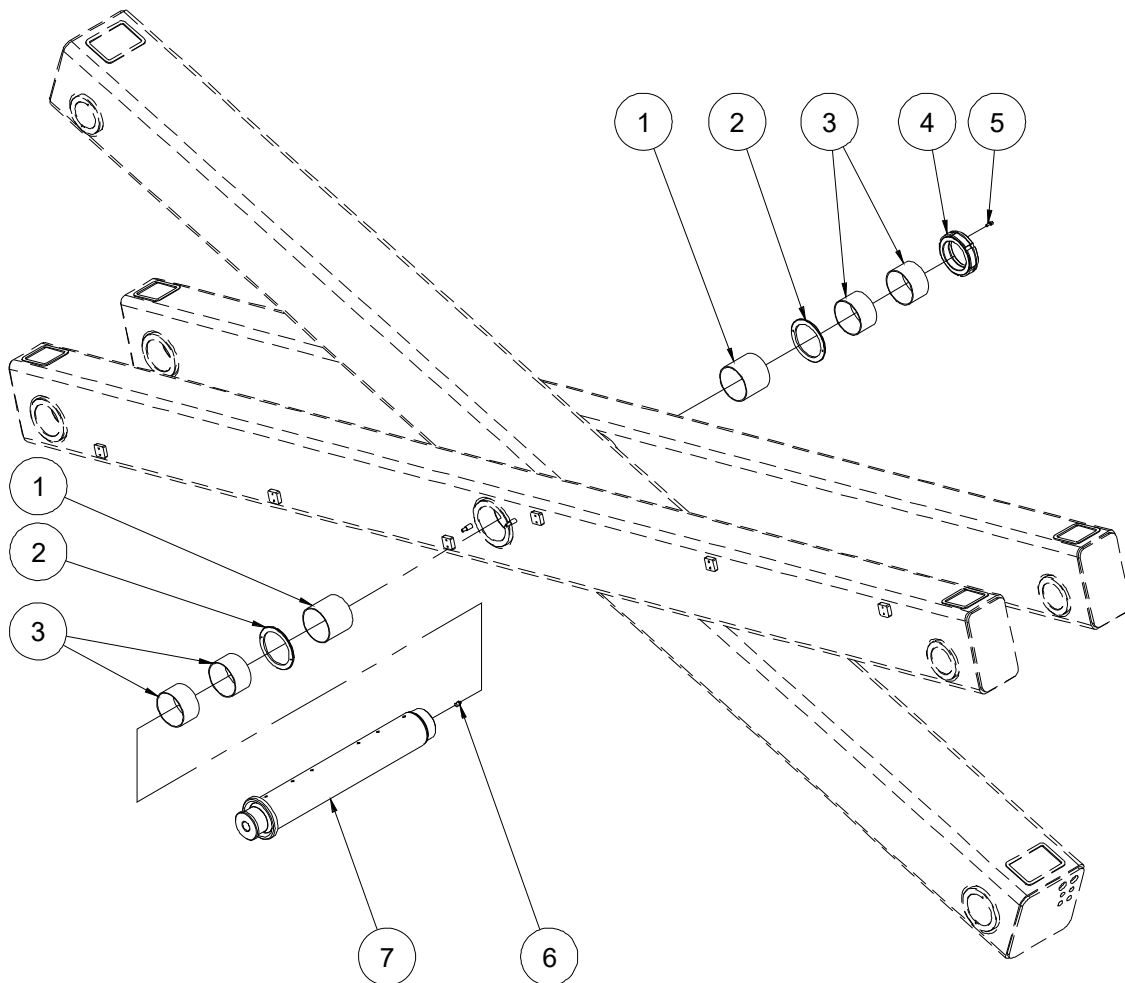
Item	Part No.	Description	Qty.
1	00006140	8812-909590A Bearing	2
2	10009382	Washer 90	2
3	00006149	8812-909560A Bearing	4
4	10017506	Nu M80	1
5	00000876	Screw GB/T 70.1 M6×16	4
6	00004483	Grease nipple GB/T 1152 M10×1	1
7	10009358	Pin 90	1

706.1 Automatic Lubrication Systems - Scissor Arm pin joint B



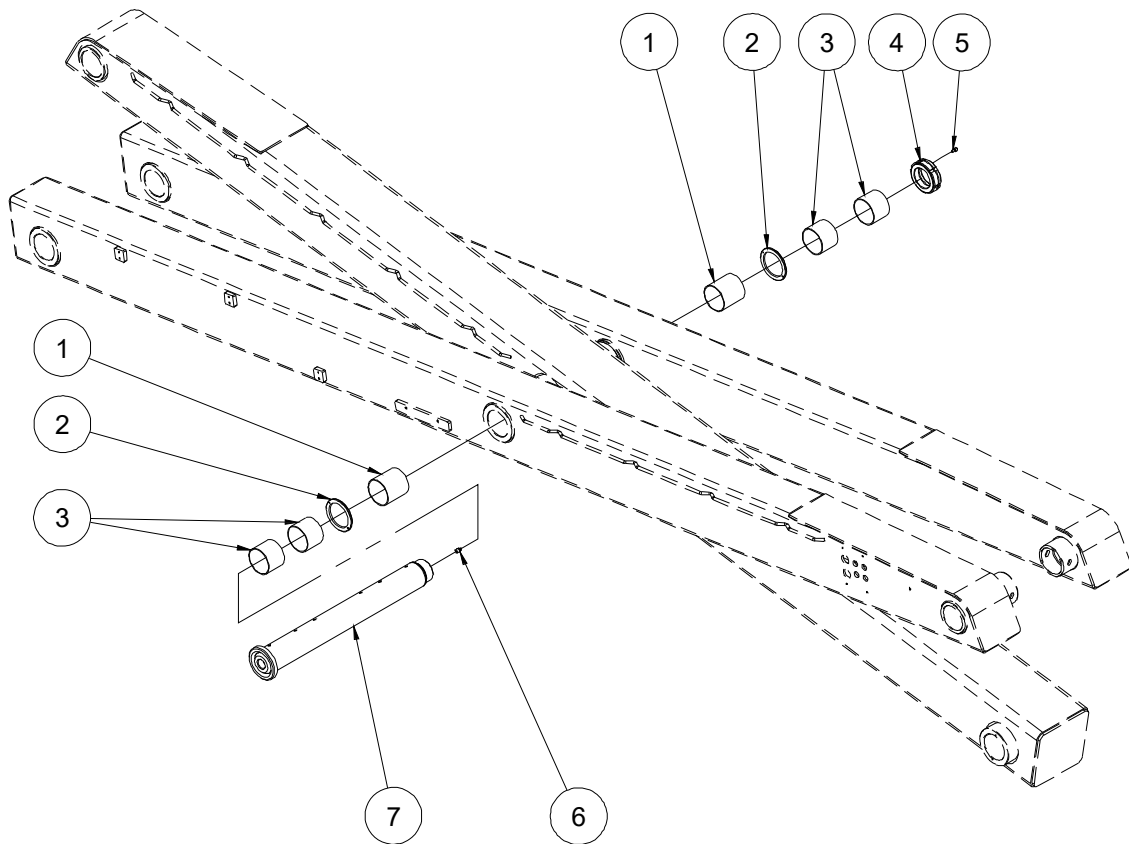
706.1 Automatic Lubrication Systems - Scissor Arm pin joint B

Item	Part No.	Description	Qty.
1	00006146	8812-120125100A Bearing	2
2	10009384	Washer 120	2
3	00006151	8812-12012560A Bearing	4
4	10017504	Nut M110	1
5	00000876	Screw GB/T 70.1 M6×16	6
6	00000684	Bolt GB/T 5783 M10×35	1
7	00000615	Washer GB/T 97.1 10	2
8	10009578	Bracket	1
9	00000623	Nut GB/T 6182 M10	1
10	00000620	Washer GB/T 97.1 6	2
11	00000621	Washer GB/T 93 6	2
12	00000619	Bolt GB/T 5783 M6×25	2
13	10009274	Safety arm	1
14	00002555	Screw GB/T 70.1 M8×25	4
15	10009264	Safety arm retainer	1
16	10009381	Pin 120	1
17	00004483	Grease nipple GB/T 1152 M10×1	1

707.1 Automatic Lubrication Systems - Scissor Arm pin joint C**707.1 Automatic Lubrication Systems - Scissor Arm pin joint C**

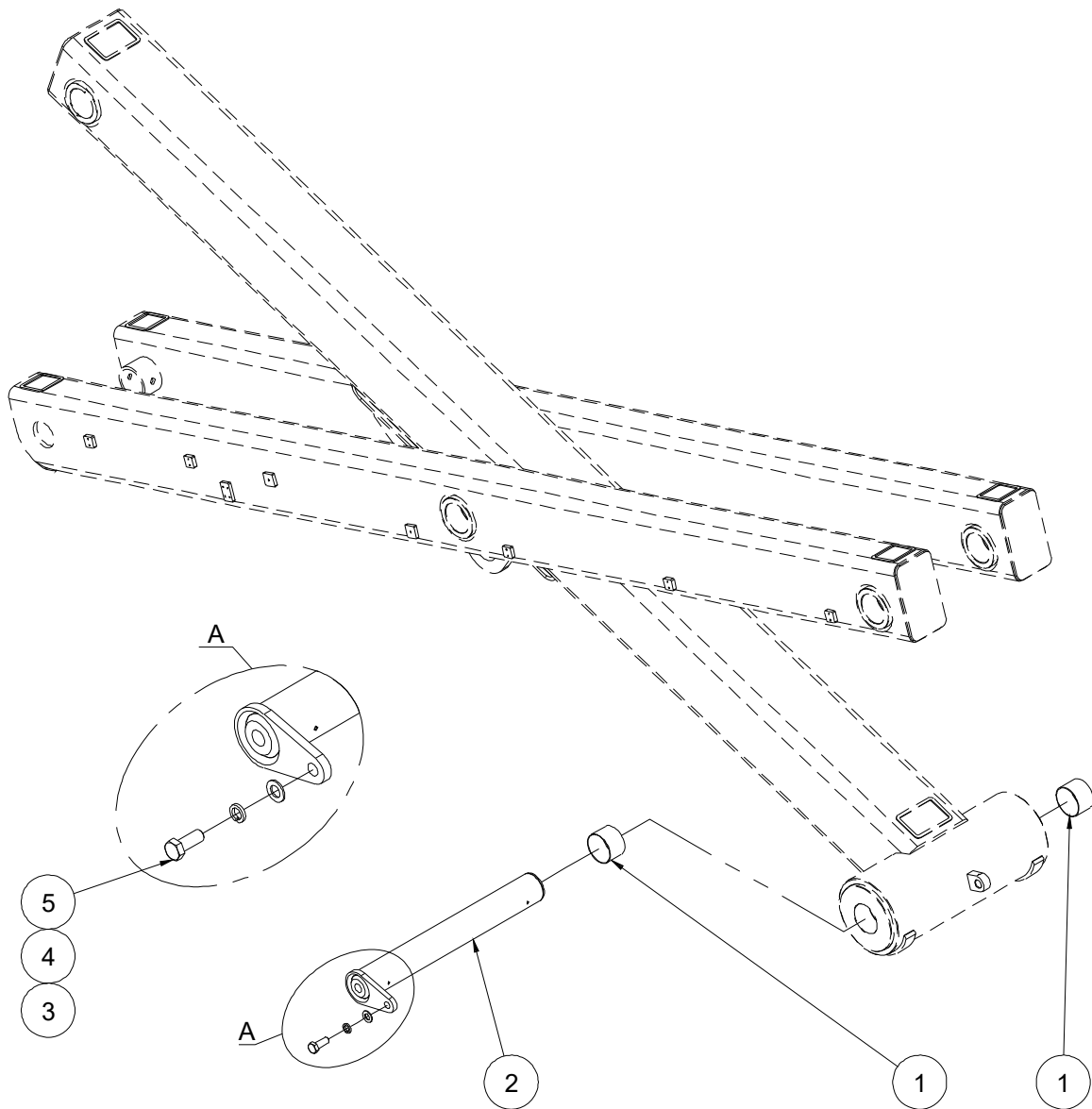
Item	Part No.	Description	Qty.
1	00006145	8812-10010590A Bearing	2
2	10009383	Washer 100	2
3	00006150	8812-10010560A Bearing	4
4	10017505	Nu M90	1
5	00000876	Screw GB/T 70.1 M6×16	4
6	00004483	Grease nipple GB/T 1152 M10×1	1
7	10009380	Pin 100	1

708.1 Automatic Lubrication Systems - Scissor Arm pin joint D



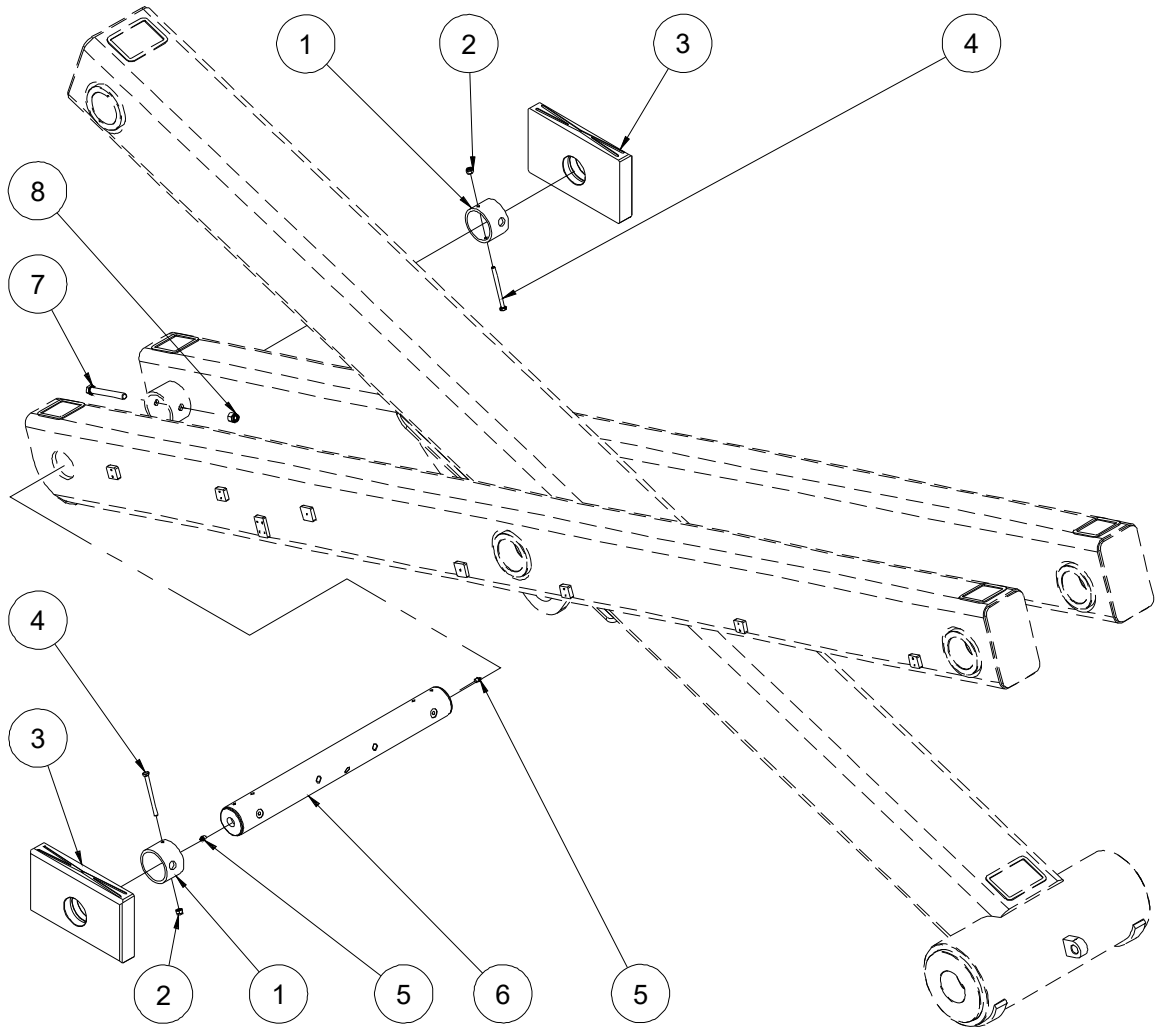
708.1 Automatic Lubrication Systems - Scissor Arm pin joint D

Item	Part No.	Description	Qty.
1	00006144	8812-758080A Bearing	2
2	10009374	Washer 75	2
3	00006143	8812-758060A Bearing	4
4	10017507	Nut M64	1
5	00002029	Screw GB/T 70.1 M6×12	4
6	00004483	Grease nipple GB/T 1152 M10×1	1
7	10009379	Pin 75	1

709.1 Automatic Lubrication Systems - Scissor Arm pin joint E**709.1 Automatic Lubrication Systems - Scissor Arm pin joint E**

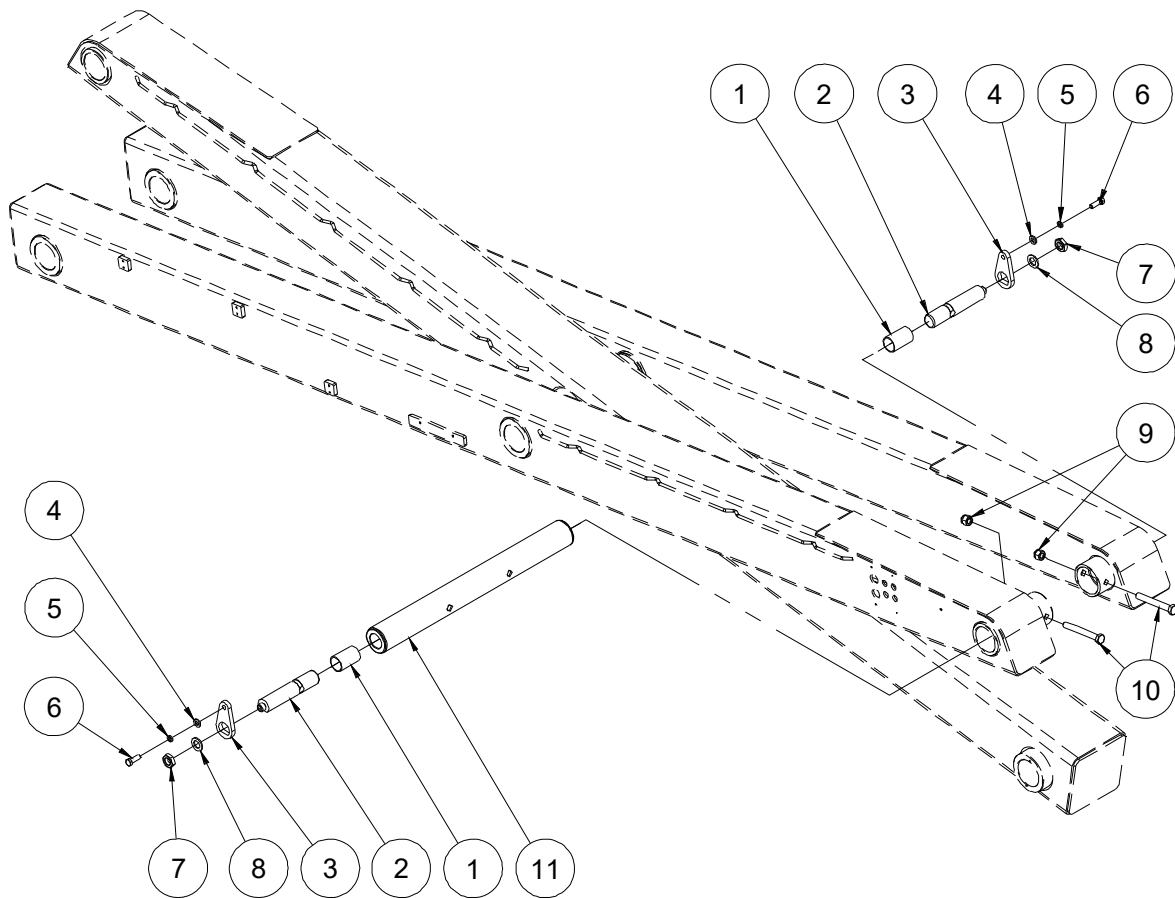
Item	Part No.	Description	Qty.
1	00006149	8812-909560A Bearing	2
2	10009378	Pin	1
3	00001050	Washer GB/T 97.1 20	1
4	00002219	Washer GB/T 93 20	1
5	00002224	Bolt GB/T 5783 M20x50	1

710.1 Automatic Lubrication Systems - Scissor Arm pin joint F



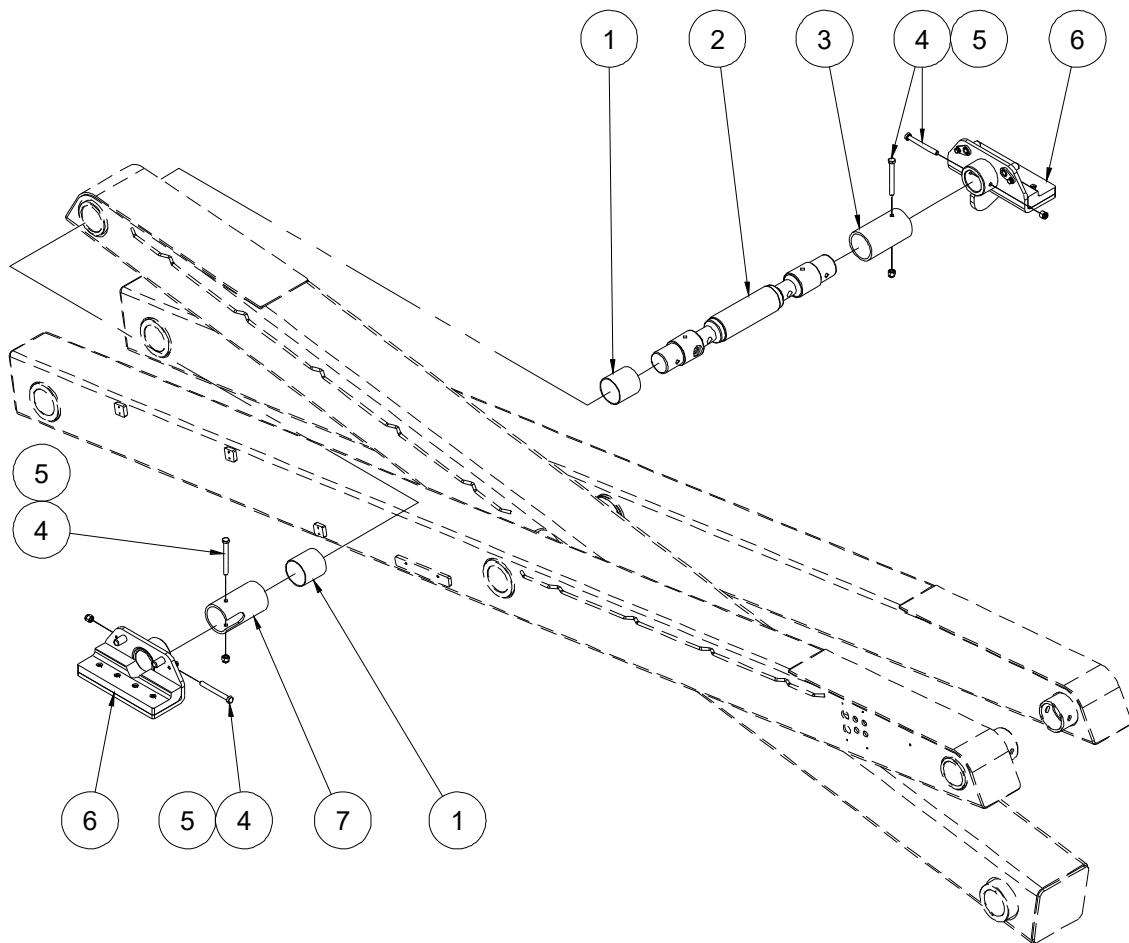
710.1 Automatic Lubrication Systems - Scissor Arm pin joint F

Item	Part No.	Description	Qty.
1	10018288	Spacer sleeve	2
2	00000623	Nut GB/T 6182 M10	2
3	10009258	Chassis slider	2
4	00004603	Bolt GB/T 5782 M10×120	2
5	00004483	Grease nipple GB/T 1152 M10×1	2
6	10018287	Pin	1
7	00001109	Bolt GB/T 5782 M16×130	2
8	00001257	Nut GB/T 6182 M16	2

711.1 Automatic Lubrication Systems - Scissor Arm pin joint G**711.1 Automatic Lubrication Systems - Scissor Arm pin joint G**

Item	Part No.	Description	Qty.
1	00006165	8812-404470 Bearing	2
2	10009398	Pin	2
3	10009399	Pin fixing plate	2
4	00000814	Washer GB/T 97.1 12	2
5	00000815	Washer GB/T 93 12	2
6	00002046	Bolt GB/T 5783 M12×35	2
7	00001998	Nut GB/T 6173 M22×1.5	2
8	00002550	Washer GB/T 97.1 22	2
9	00001257	Nut GB/T 6182 M16	2
10	00001109	Bolt GB/T 5782 M16×130	2
11	10009356	Pin	1

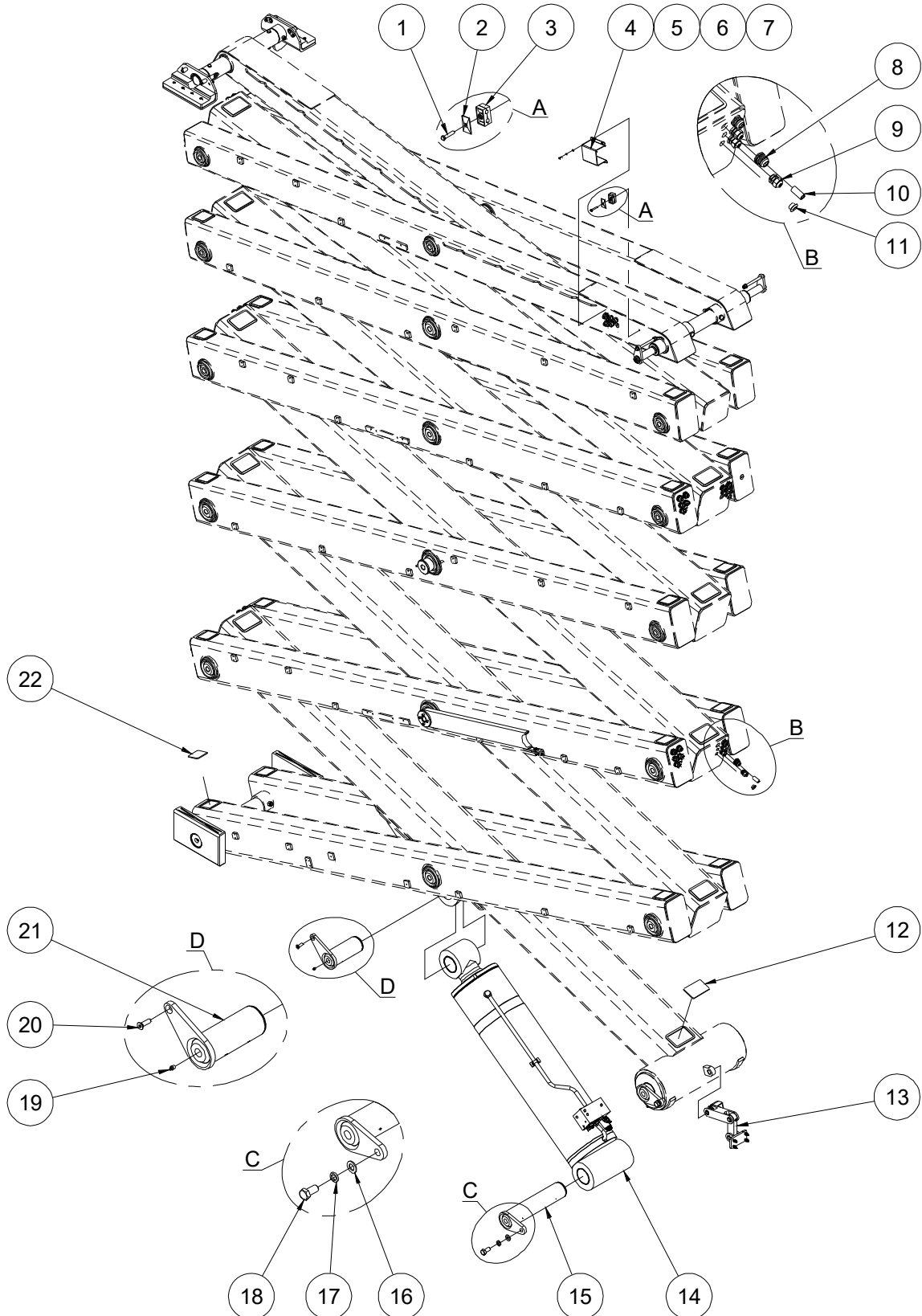
712.1 Automatic Lubrication Systems - Scissor Arm pin joint H



712.1 Automatic Lubrication Systems - Scissor Arm pin joint H

Item	Part No.	Description	Qty.
1	00006166	8812-758080 Bearing	2
2	10009396	Pin	1
3	10009668	Spacer sleeve	1
4	00006174	Bolt GB/T 5782 M12×110	4
5	00001249	Nut GB/T 6182 M12	4
6		Platform slider assembly (refet to 210.1)	2
7	10009669	Spacer sleeve	1

713.1 Automatic Lubrication Systems - Lift cylinder and Scissor Accessory Installation (JCPT2223DC)



713.1 Automatic Lubrication Systems - Lift cylinder and Scissor Accessory Installation (JCPT2223DC)

Item	Part No.	Description	Qty.
1	00002604	Bolt GB/T 5783 M8×40	1
2	10000047	Base plate	1
3	00000538	Hose clamp	1
4	10017530	Cover	1
5	00000605	Washer GB/T 97.1 5	4
6	00000606	Washer GB/T 93 5	4
7	00001252	Screw GB/T 70.1 M5×12	4
8	00001829	Water-proof joint M30×1.5	24
9	00006128	Water-proof joint M20×1.5	A/R
10	10009675	Sheath	24
11	00006177	Cover	14
12	10009674	Block	10
13		Rotary sensor assembly (refer to 212.1)	1
14		Lift cylinder assembly (without seal kit) (refer to 401.1)	1
15	10009366	Pin	1
16	00001050	Washer GB/T 97.1 20	2
17	00002219	Washer GB/T 93 20	2
18	00002264	Bolt GB/T 5783 M20×40	1
19	00004483	Grease nipple GB/T 1152 M10×1	20
20	00000857	Screw GB/T 70.3 M12×40	1
21	10009370	Pin	1
22	10009673	Block	20

DINGLI AWP INDIA PRIVATE LIMITED

Address: Sahney Towers, 81, First Floor, Poonamallee High Road, Nerkundram,

Chennai, Tamil Nadu - 600 107

Telephone: +91-98846 48464

E-mail: support@dinglisaarc.com

Website: www.dinglisaarc.com

DINGLI