

DINGLI

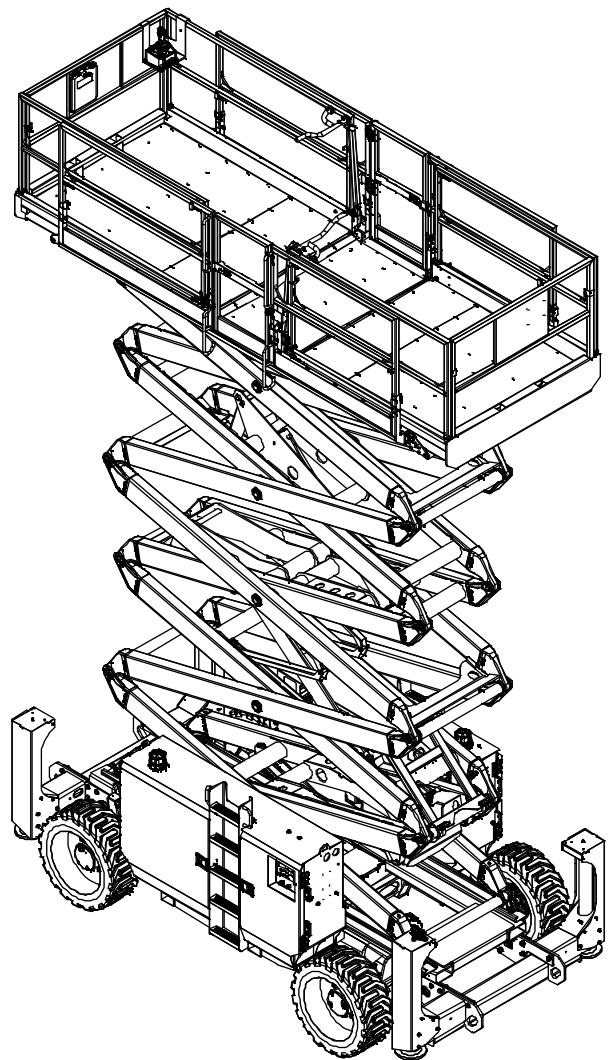
Exceed · New Height

Parts Manual

JCPT1523RTL

JCPT1823RTL

From SN
JPR1523023G0053-
JPR1823423E0542-JPR1823423F0115



CE

Part Number: SM012220129

Version Number: Rev1.2

August 2023 Printing

DINGLI

Foreword

We are very appreciated for your interesting with Dingli machine and choosing it for your application. Our priority above all is you can use the machine safely for your application and you can benefit from the Dingli machine mostly. For these reason we hope you can:

1. Comply with employer, job site and local governmental rules.
2. Safeguard your commitment to quality by always using genuine Dingli spare parts. Remember, Dingli cannot accept responsibility for the failure of a separator equipped with non-original spare parts. We guarantee the quality and reliability of our products.
3. All sketch maps of parts shown in this manual are for reference only, it is the practical that counts. This manual includes all the latest information up to the date when it was printed. All responsibilities for the revision and explanation of the manual rest with the Dingli. We also preserve the right to edit the technology characteristic and content of the manual.
4. Anyone who read the manual or used the machine, is encouraged to notify Dingli Machinery Co, Ltd of any errors or send in suggestions for improvement. All communications will be carefully considered for future printings of this and other manuals, certainly if you have any question about the machine, please contact with our team by dialing technical support phone, sending email, or any methods you want, etc. Our contact information as bellow:

Please contact with:

DINGLI AWP INDIA PRIVATE LIMITED

Phone: +91-98846 48464

Email: support@dinglisaarc.com

Table of Contents

Section 1 Chassis

101.1	Font Axle and Rear Axle Installation	2
102.1	Font Axle Assembly	4
103.1	Rear Axle Assembly	6
104.1	Hydraulic Tray and Engine Tray Installation.....	8
105.1	Hydraulic Tray Door and Ladder Installation.....	10
106.1	Hydraulic Tray Assembly	12
107.1	Ground Control Box Assembly	14
108.1	Fuel Tank Assembly	17
109.1	Hydraulic Tank Assembly	18
110.1	Engine Tray Door and Ladder Installation.....	21
111.1	Engine Tray Assembly	24
112.1	Cooling System Installation (Kubota).....	27
112.2	Cooling System Installation (Kubota).....	28
113.1	Cooling System Assembly (Kubota).....	29
113.2	Cooling System Assembly (Perkins).....	31
114.1	Intake System and Exhaust System (Kubota).....	33
114.2	Intake System and Exhaust System (Perkins).....	35
115.1	Engine Assembly (Kubota)	37
115.2	Engine Assembly (Perkins).....	41
116.1	Fuel System Assembly (Kubota).....	44
116.2	Fuel System Assembly (Perkins).....	46
117.1	Function Manifold Assembly	48
118.1	Filter Assembly	50
119.1	Oil Cooler Assembly	51
120.1	Pump Assembly	53
121.1	Drive Pump Assembly	54
122.1	Outrigger Installation.....	56
123.1	Outrigger Assembly.....	57
124.1	Chassis Accessory Installation.....	60

Section 2 Scissor

201.1	Scissor Assembly (JCPT1823RTL)	63
201.2	Scissor Assembly (JCPT1523RTL)	65
202.1	Scissor Arm Assembly 5.....	67

203.1	Slider Assembly	70
204.1	Scissor Arm Assembly 1	71
205.1	Safety Arm Assembly	74
206.1	Scissor Arm Assembly 2-3 (JCPT1823RTL).....	76
207.1	Cable Routing Device Assembly	78
208.1	Scissor Arm Assembly 2-3 (JCPT1523RTL).....	80
209.1	Scissor Arm Assembly 4 (JCPT1823RTL).....	82
Section 3 Platform		
301.1	Platform Assembly (Standard Platform)	84
301.2	Platform Assembly (Extended Platform).....	86
302.1	Main Platform Assembly (Standard Platform).....	88
302.2	Main Platform Assembly (Extended Platform).....	91
303.1	Support Roller Assembly (Standard Platform).....	94
303.2	Support Roller Assembly (Extended Platform).....	95
304.1	Side Roller Assembly.....	96
305.1	Front Platform Extension Assembly (Standard Platform).....	97
305.2	Front Platform Extension Assembly (Extended Platform).....	100
306.1	Rear Platform Extension Assembly (Standard Platform).....	103
306.2	Rear Platform Extension Assembly (Extended Platform).....	106
307.1	Platform Locking Device Assembly	109
308.1	Platform Control Box Assembly	111
309.1	Anti-collision Device (Option).....	112
Section 4 Hydraulic System		
401.1	Lower Lift Cylinder Assembly	115
402.1	Upper Lift Cylinder Assembly (JCPT1823RTL)	117
403.1	Outrigger Cylinder Assembly	119
403.2	Outrigger Cylinder Assembly	121
403.3	Outrigger Cylinder Assembly	123
403.4	Outrigger Cylinder Assembly	125
404.1	Left Oscillate Cylinder Assembly.....	127
405.1	Right Oscillate Cylinder Assembly	128
406.1	Function Manifold	129
406.2	Function Manifold	132
407.1	Hydraulic Hoses and Fittings-Function.....	135
408.1	Hydraulic Hoses and Fittings-Outrigger.....	138

Section 5 Electrical System

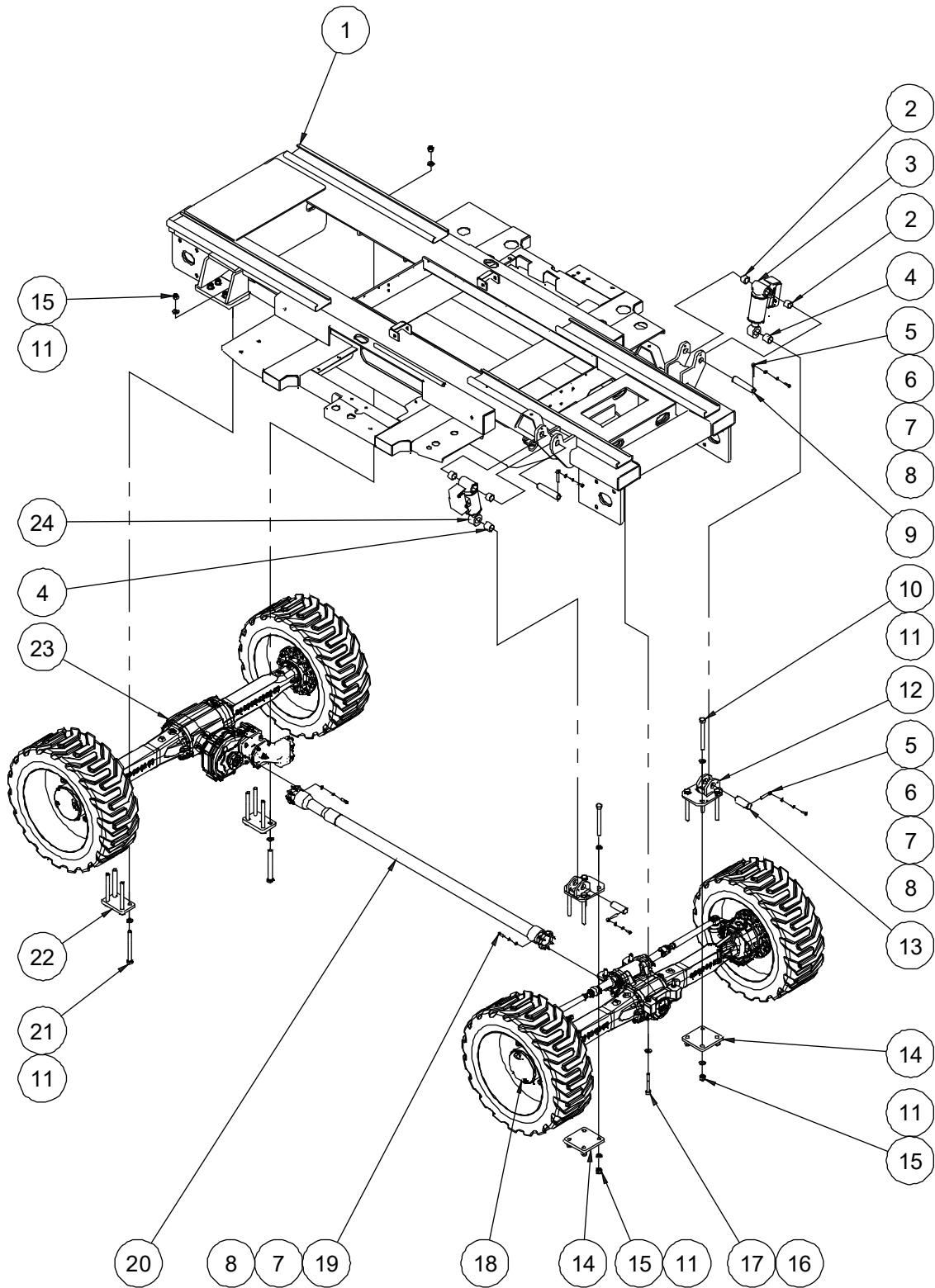
501.1 Electrical Harness (Kubota).....	141
501.2 Electrical Harness (Perkins).....	144
502.1 Power to Platform	147

Section 6 Decal

601.1 Decals with Words	150
602.1 Decals with Symbols	155

Section 1 Chassis

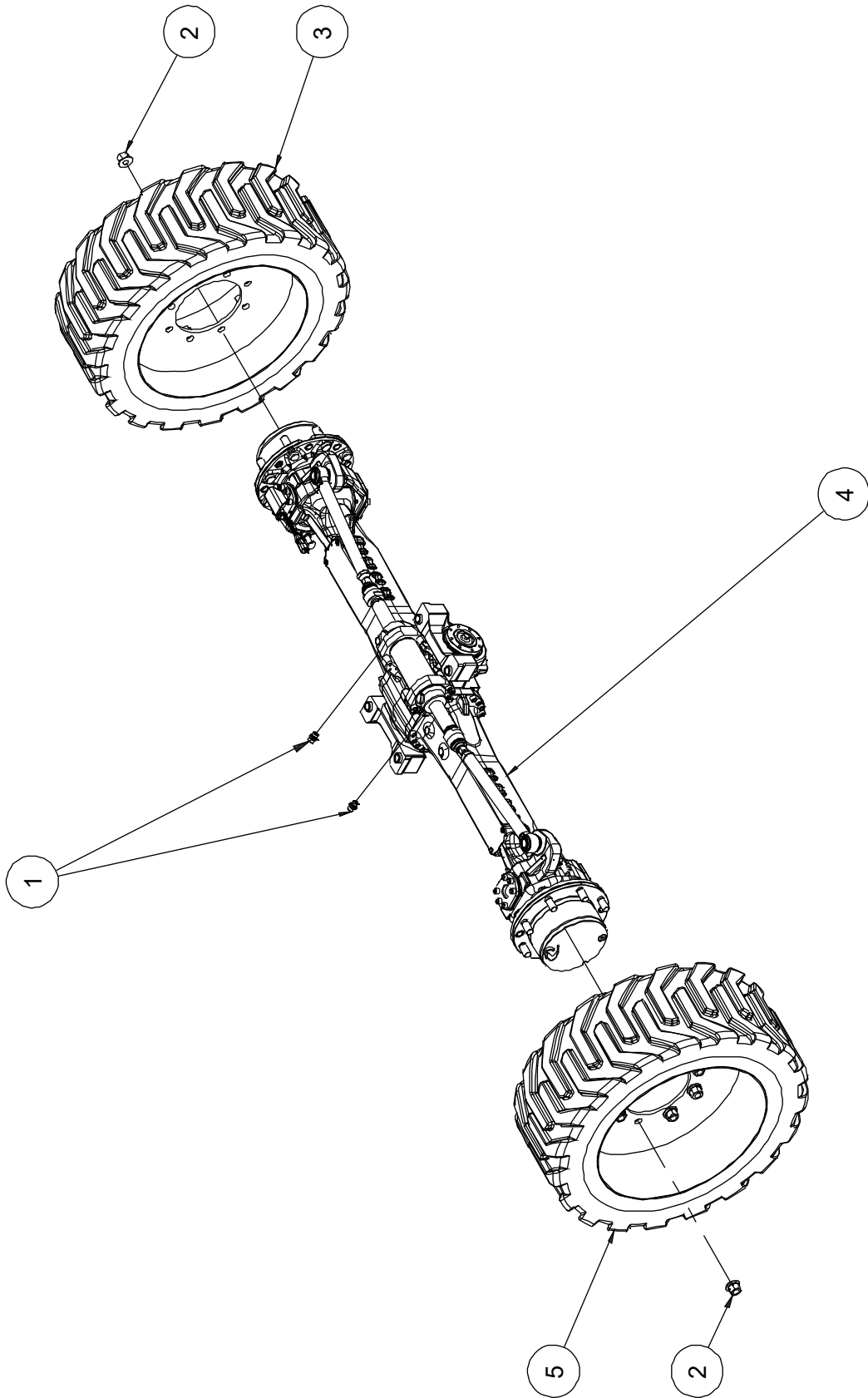
101.1 Font Axle and Rear Axle Installation



101.1 Font Axle and Rear Axle Installation

Item	Part No.	Description	Qty.
1	10025895	Frame weldment	1
2	00000438	8813-38.1×44.45×31.75 Bearing	4
3		Left oscillate cylinder assembly (without seal kit) (refer to 404.1)	2
4	00007832	8812-404445 Bearing	2
5	00000220	8902-10080 Pin	4
6	00000683	Bolt GB/T 5783 M10×30	4
7	00000679	Washer GB/T 93 10	20
8	00000615	Washer GB/T 97.1 10	20
9	00010845	895-38.1×170 Pin	2
10	00006812	Bolt GB/T 5782 M22×210	8
11	00002550	Washer GB/T 97.1 22	32
12	10025945	Oscillate cylinder bracket weldment	2
13	90029120	Pin	2
14	90031656	Bracket	2
15	00004487	Nut GB/T 6182 M22	16
16	00001050	Washer GB/T 97.1 20	4
17	00008695	Screw GB/T 70.1 M20×130	4
18		Front axle assembly (refer to 102.1)	1
19	00001059	Screw GB/T 70.1 M10×30	16
20	00010460	Propeller shaft	1
21	00003056	Bolt GB/T 5782 M22×220	8
22	90031649	Bracket	2
23		Rear axle assembly (refer to 103.1)	1
24		Right oscillate cylinder assembly (without seal kit) (refer to 405.1)	2

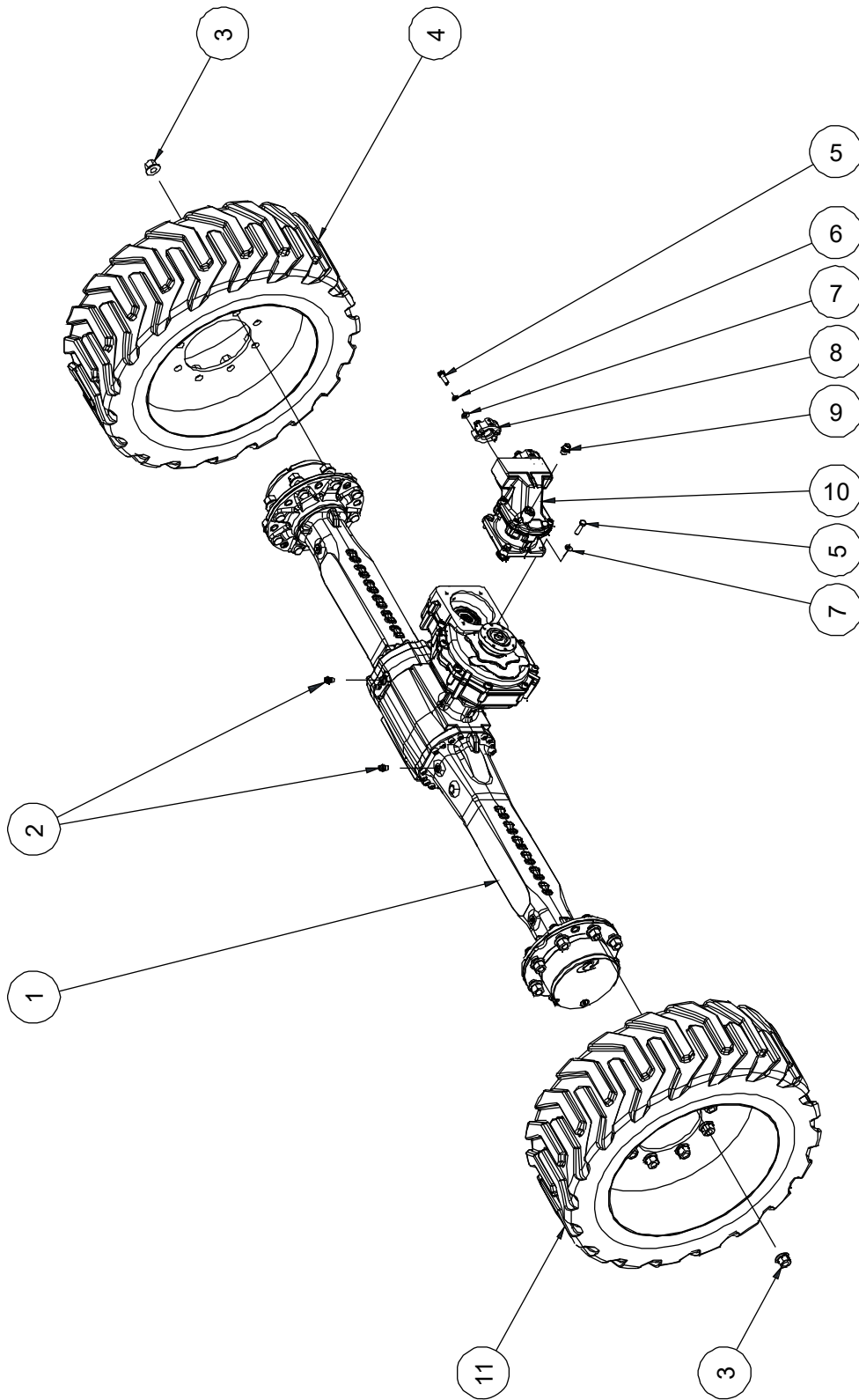
102.1 Font Axle Assembly



102.1 Font Axle Assembly

Item	Part No.	Description	Qty.
1	00001262	Straight fitting	2
2	00002650	M22×1.5 Nut	16
3	90031601	Wheel	1
4	00008669	Front axle assembly	1
5	90031602	Wheel	1

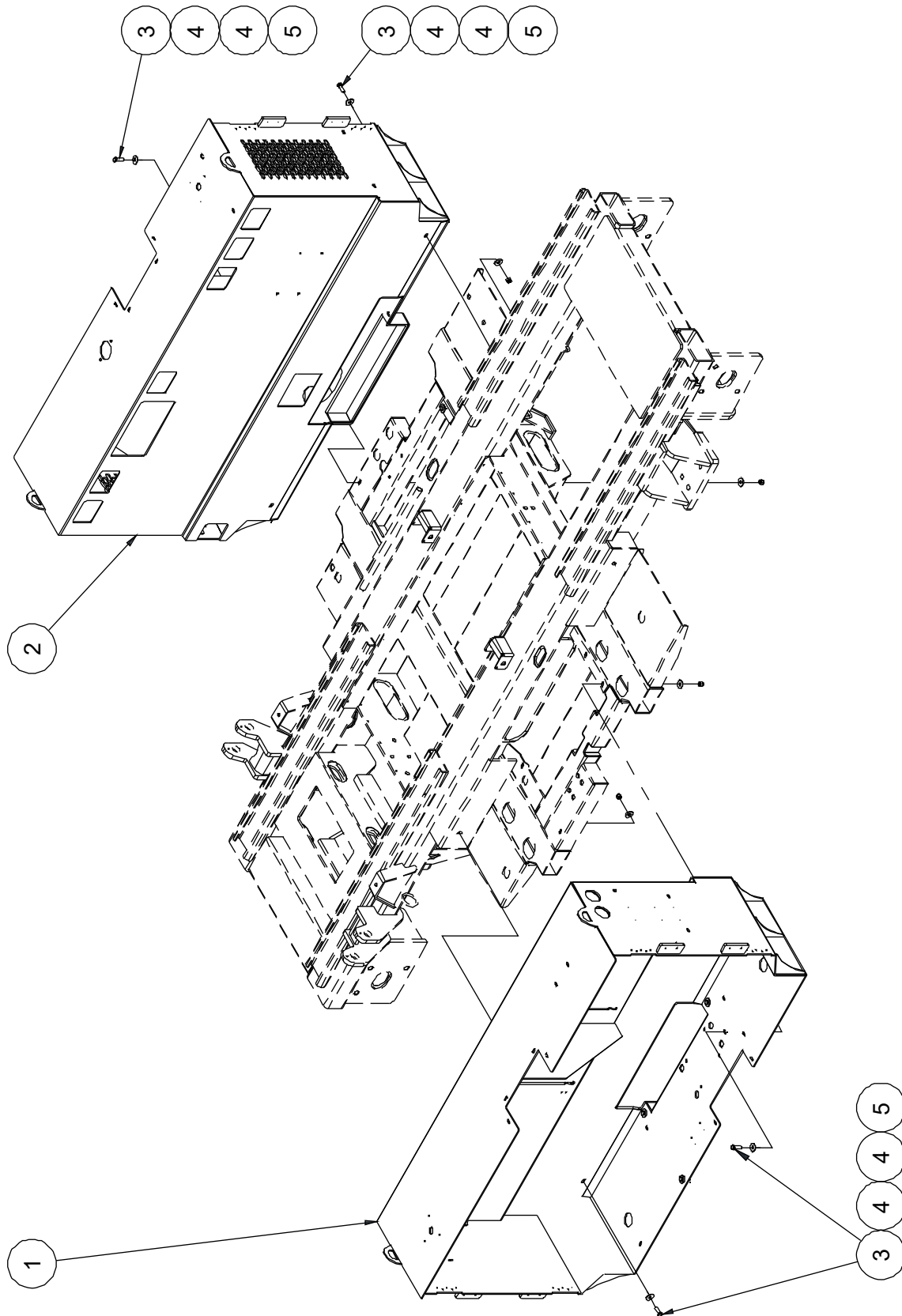
103.1 Rear Axle Assembly



103.1 Rear Axle Assembly

Item	Part No.	Description	Qty.
1	00010454	Rear Axle	1
2	00007172	Straight fitting	2
3	00002650	M22×1.5 Nut	16
4	90031602	Wheel	1
5	00001055	Bolt GB/T 5783 M12×40	12
6	00000815	Washer GB/T 93 12	8
7	00000814	Washer GB/T 97.1 12	12
8	90003624	Flange	2
9	00001262	Straight fitting	1
10	92046502	Drive Motor Assembly	1
11	90031601	Wheel	1

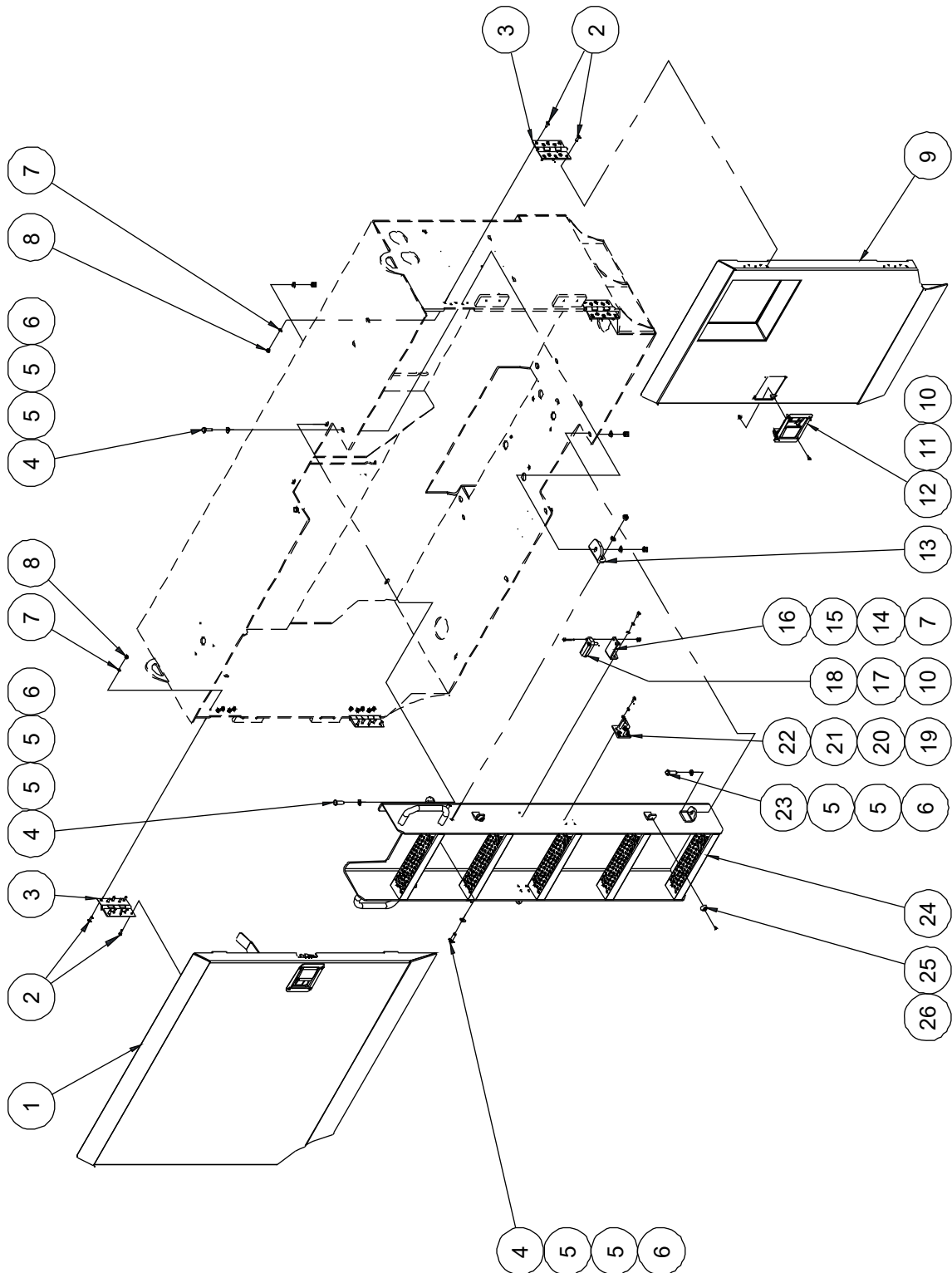
104.1 Hydraulic Tray and Engine Tray Installation



104.1 Hydraulic Tray and Engine Tray Installation

Item	Part No.	Description	Qty.
1	10026104	Hydraulic tray weldment	1
2	10025974	Engine tray weldment	1
3	00001249	Nut GB/T 6182 M12	12
4	00002601	Washer GB/T 96.1 12	24
5	00001055	Bolt GB/T 5783 M12×40	12

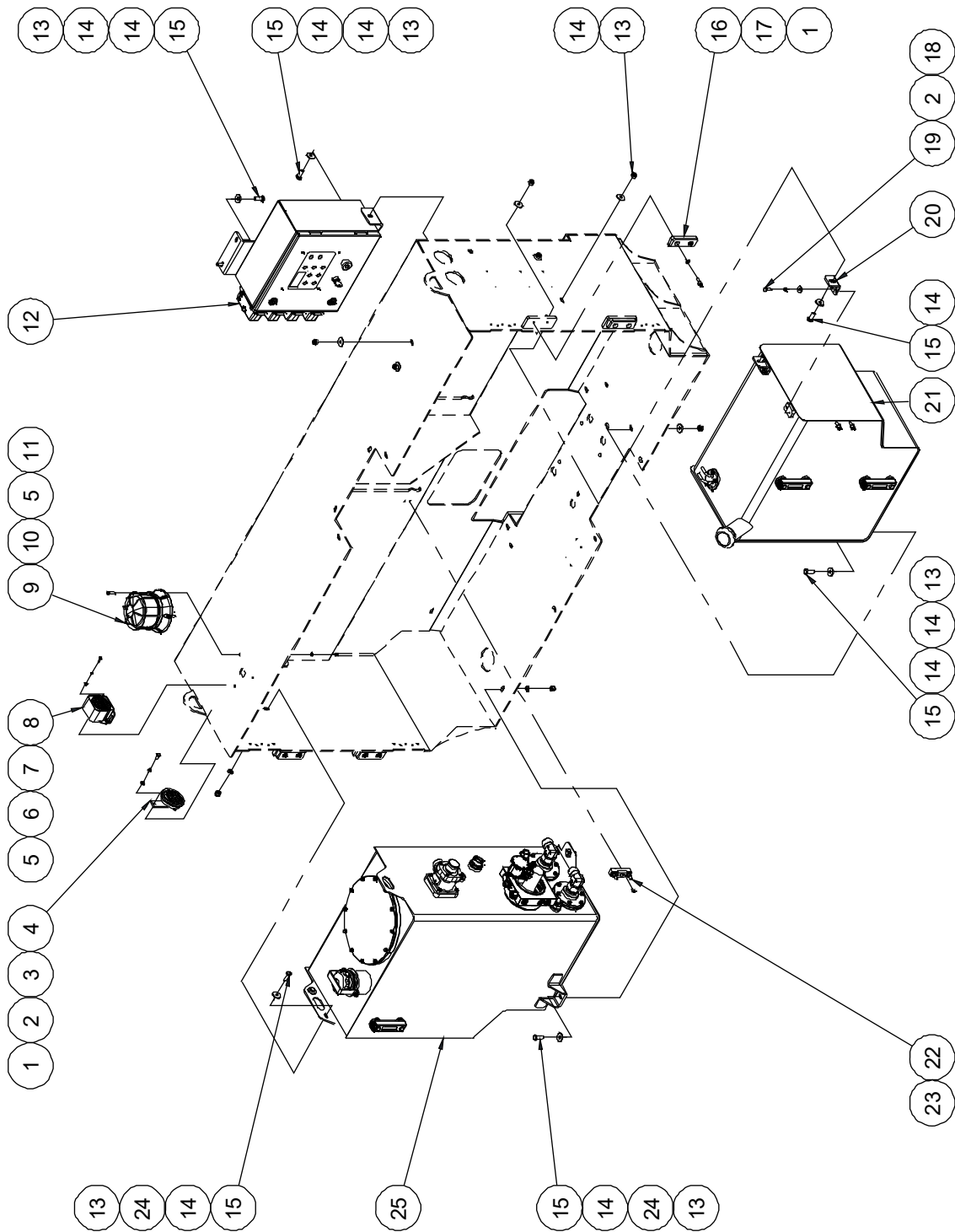
105.1 Hydraulic Tray Door and Ladder Installation



105.1 Hydraulic Tray Door and Ladder Installation

Item	Part No.	Description	Qty.
1	10026110	Front door weldment, left	1
2	00000831	Screw GB/T 70.3 M6×20	40
3	10004083	Hinge	4
4	00000683	Bolt GB/T 5783 M10×30	8
5	00000615	Washer GB/T 97.1 10	20
6	00000623	Nut GB/T 6182 M10	10
7	00000620	Washer GB/T 97.1 6	24
8	00001033	Nut GB/T 6182 M6	20
9	10026108	Back door weldment, left	1
10	00002574	Nut GB/T 6183.1 M6	12
11	00001986	Screw GB/T 818 M6×16 - H	8
12	10011884	Latch	2
13	10026103	Bracket	2
14	00000621	Washer GB/T 93 6	4
15	00000818	Bolt GB/T 5783 M6×16	4
16	10025688	Bracket	2
17	00002934	Screw GB/T 70.1 M6×35	4
18	10019936	Spacer	2
19	00007943	Washer GB/T 862.2 5	8
20	00007942	Washer GB/T 861.2 5	8
21	00001246	Screw GB/T 70.1 M5×16	8
22	10026731	Lock clasp	2
23	00000684	Bolt GB/T 5783 M10×35	2
24	10025789	Ladder	1
25	10000376	Bumper	4
26	00002026	Screw GB/T 818 M4×10 - H	4

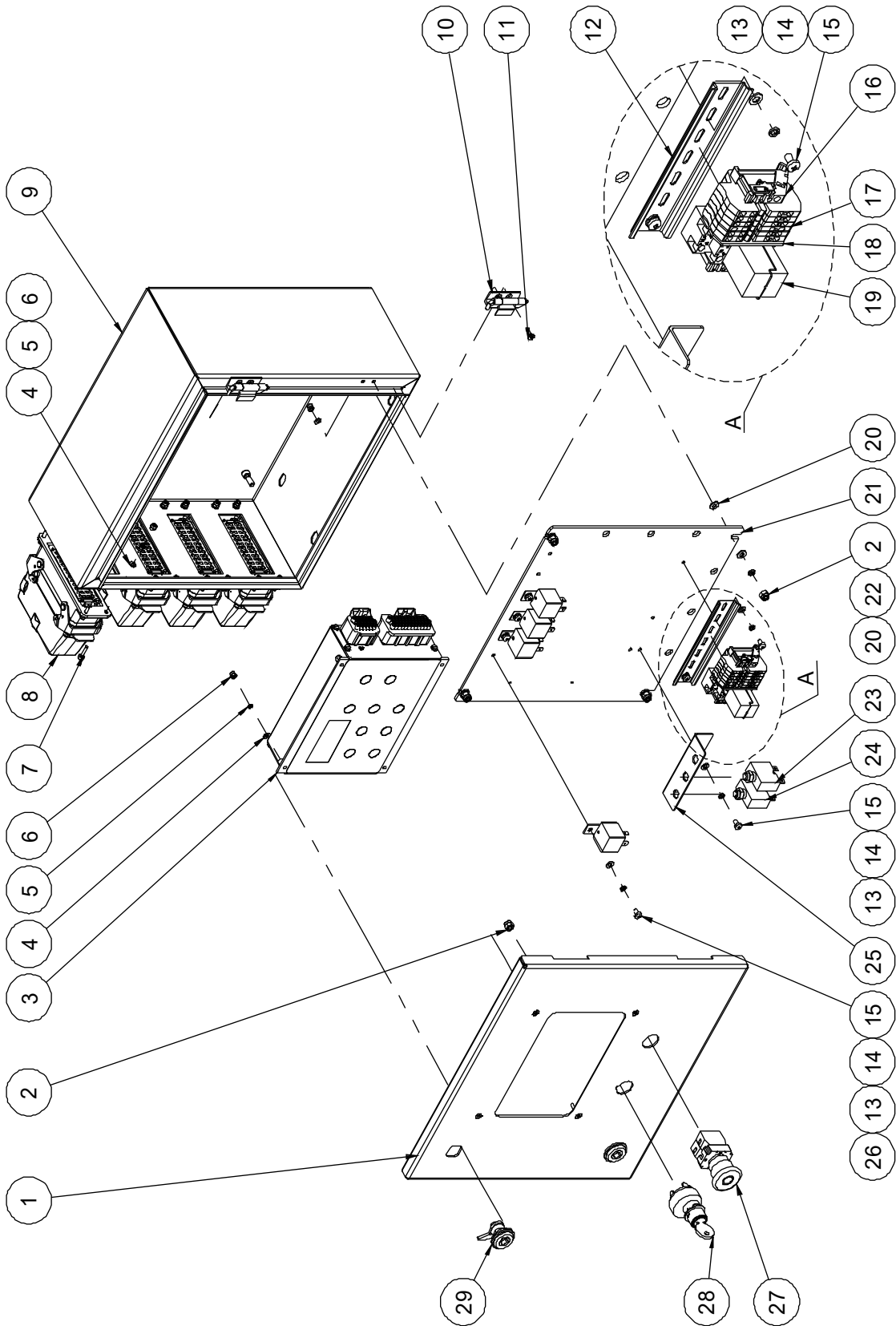
106.1 Hydraulic Tray Assembly



106.1 Hydraulic Tray Assembly

Item	Part No.	Description	Qty.
1	00000608	Washer GB/T 97.1 8	9
2	00000609	Washer GB/T 93 8	5
3	00001063	Bolt GB/T 5783 M8×16	1
4	00002212	Horn	1
5	00000620	Washer GB/T 97.1 6	2
6	00000621	Washer GB/T 93 6	2
7	00000818	Bolt GB/T 5783 M6×16	2
8	00004438	Alarm	1
9	00004883	Beacon	1
10	00001034	Screw GB/T 70.1 M6×25	3
11	00001033	Nut GB/T 6182 M6	3
12		Ground control box assembly (refer to 107.1)	1
13	00000623	Nut GB/T 6182 M10	11
14	00001028	Washer GB/T 96.1 10	18
15	00000683	Bolt GB/T 5783 M10×30	11
16	93300432	Block	4
17	00001061	Screw GB/T 70.1 M8×20	8
18	00002000	Washer GB/T 96.1 8	4
19	00000875	Bolt GB/T 5783 M8×20	4
20	50003005	Bracket	2
21		Fuel tank assembly (refer to 108.1)	1
22	00002074	150A Fuse assembly	1
23	00001003	Screw GB/T 973 M4×12	2
24	00000615	Washer GB/T 97.1 10	4
25		Hydraulic tank assembly (refer to 109.1)	1

107.1 Ground Control Box Assembly



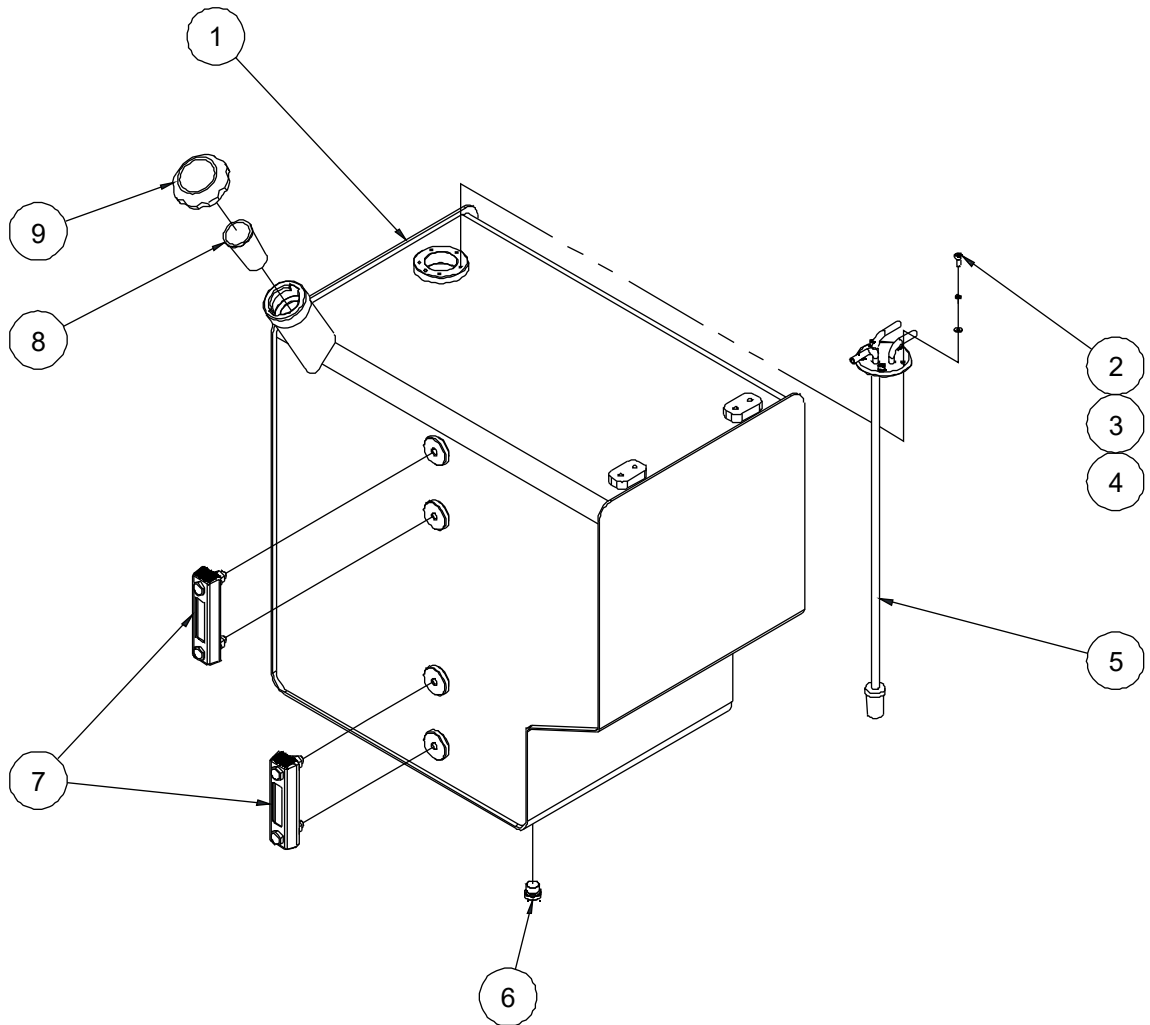
107.1 Ground Control Box Assembly

Item	Part No.	Description	Qty.
1	10024816	Ground control box cover	1
2	00000742	Nut GB/T 889.1 M6	6
3	00007940	Controller	1
4	00000778	Washer GB/T 97.1 4	24
5	00000779	Washer GB/T 93 4	20
6	00001236	Nut GB/T 889.1 M4	24
7	00000604	Screw GB/T 70.1 M4×16	16
8	00009128	Connector	4
9	10024818	Ground control box weldment	1
10	50000217	Hinge	2
11	00005259	Screw GB/T 819 M4×14 - H	4
12	10004977	Terminal rail	1
13	00000605	Washer GB/T 97.1 5	8
14	00000606	Washer GB/T 93 5	8
15	00002391	Screw GB/T 818 M5×8 - H	8
16	00000660	End, Fixation	2
17	00000659	End, Straight	6
18	00002593	End, Plate	1
19	00000647	Relay	1
20	00000620	Washer GB/T 97.1 6	8
21	10013770	Mounting plate	1
22	00000621	Washer GB/T 93 6	4
23	00002597	Circuit breaker	1
24	00002208	Circuit breaker	1
25	10004973	Circuit breaker bracket	1
26	00002206	Relay	4
27	00000923	Emergency stop switch	1
--	00000752	Base with 1 NC contact	1
--	00000754	Red mushroom head	1

107.1 Ground Control Box Assembly

Item	Part No.	Description	Qty.
28	00001243	Key switch (key removable in off position)	1
	00003356	Key switch (key removable in all position)	1
--	00003050	Key	1
29	00001296	Latch, Column	2

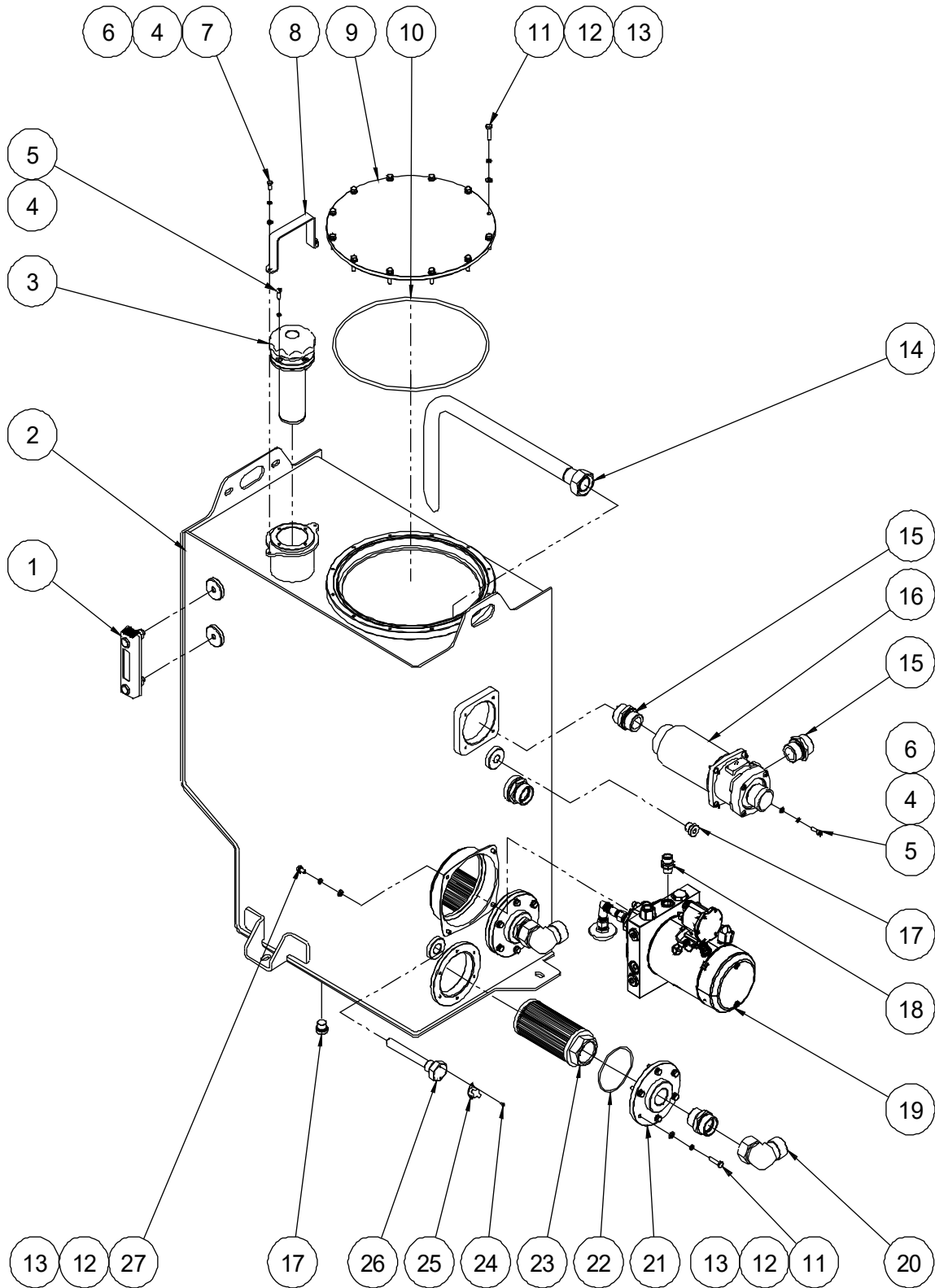
108.1 Fuel Tank Assembly



108.1 Fuel Tank Assembly

Item	Part No.	Description	Qty.
1	10025885	Fuel tank weldment	1
2	00001252	Screw GB/T 70.1 M5×12	5
3	00000606	Washer GB/T 93 5	5
4	00000605	Washer GB/T 97.1 5	5
5	10024795	Pipe	1
6	00001074	Plug VSTI16×1.5ED	1
7	00008090	Level gauge	2
8	00002154	Filter web	1
9	00002153	Tank cover	1

109.1 Hydraulic Tank Assembly



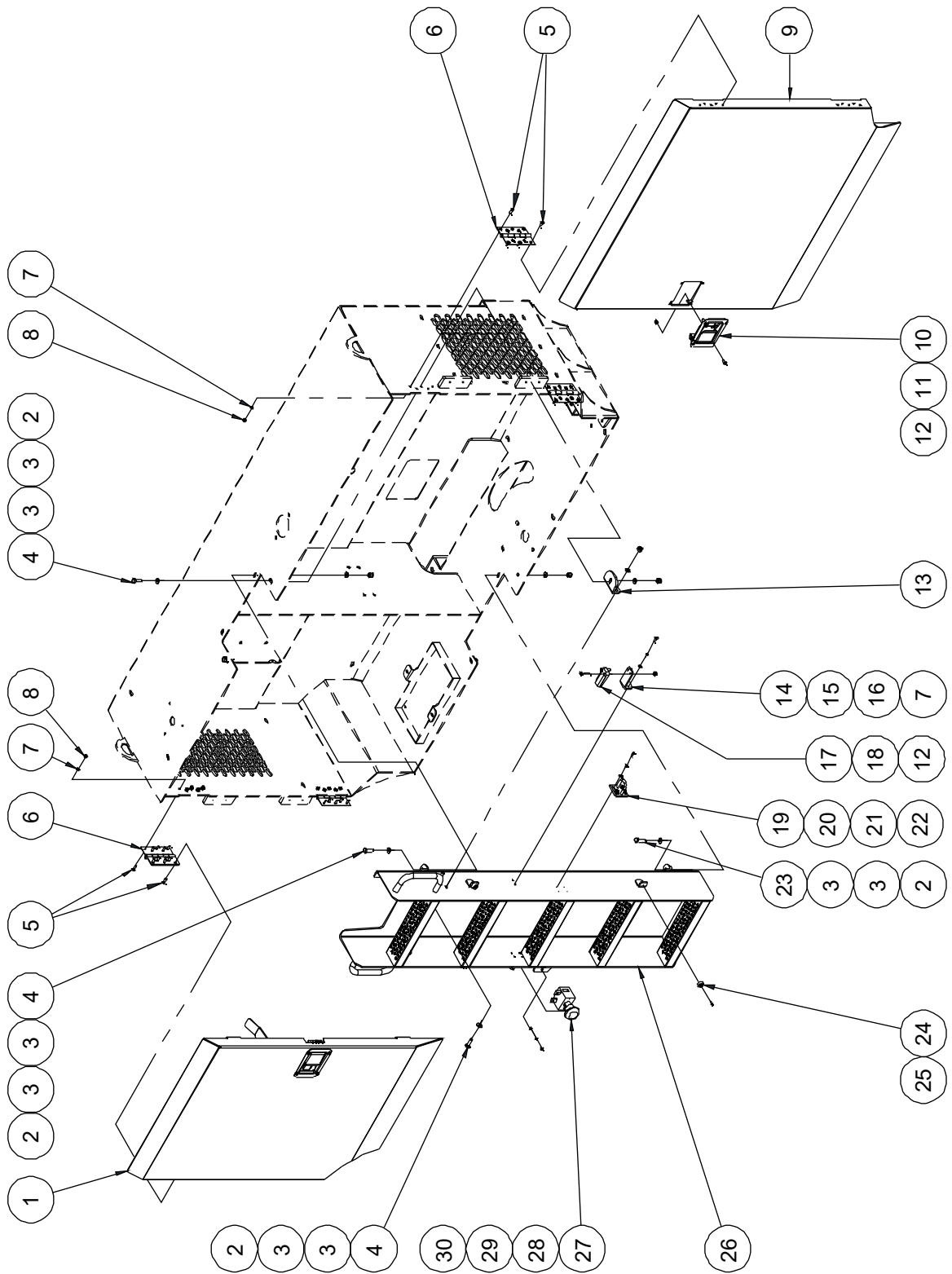
109.1 Hydraulic Tank Assembly

Item	Part No.	Description	Qty.
1	00001873	Level gauge	1
2	10025585	Hydraulic tank weldment	1
3	00000520	Air cleaner	1
4	00000606	Washer GB/T 93 5	10
5	00001246	Screw GB/T 70.1 M5×16	8
6	00000605	Washer GB/T 97.1 5	6
7	00002246	Bolt GB/T 5783 M5×12	2
8	10013558	Keeper bar	1
9	10011071	Cover weldment	1
10	00004412	O-ring GB/T 3452.1-272×5.3	1
11	00000619	Bolt GB/T 5783 M6×25	24
12	00000621	Washer GB/T 93 6	28
13	00000620	Washer GB/T 97.1 6	28
14	10017869	Pipe	1
15	00002071	Straight fitting	5
16	00003113	Return filter	1
--	00004416	Filter element	1
17	00001074	Plug VST116×1.5ED	2
18	00001501	Straight fitting	1
19	00011615	Hydraulic power unit	1
--	00004726	Pump	1
--	00004729	Motor	1
--	00004730	DC Contactor	1
--	00004724	Check valve	1
--	00004725	Relief valve	1
--	00005007	Filter web	1
--	00011614	Temperature switch	1
20	00001837	Elbow	2
21	50001437	Flange	2

109.1 Hydraulic Tank Assembly

Item	Part No.	Description	Qty.
22	00001536	O-ring As568A 82.22×2.62	2
23	00000519	Suction filter	2
24	00003548	Screw GB/T 818 M3×6 - H	2
25	00003376	Temperature switch	1
26	10005917	Plug	1
27	00000745	Bolt GB/T 5783 M6×12	4

110.1 Engine Tray Door and Ladder Installation



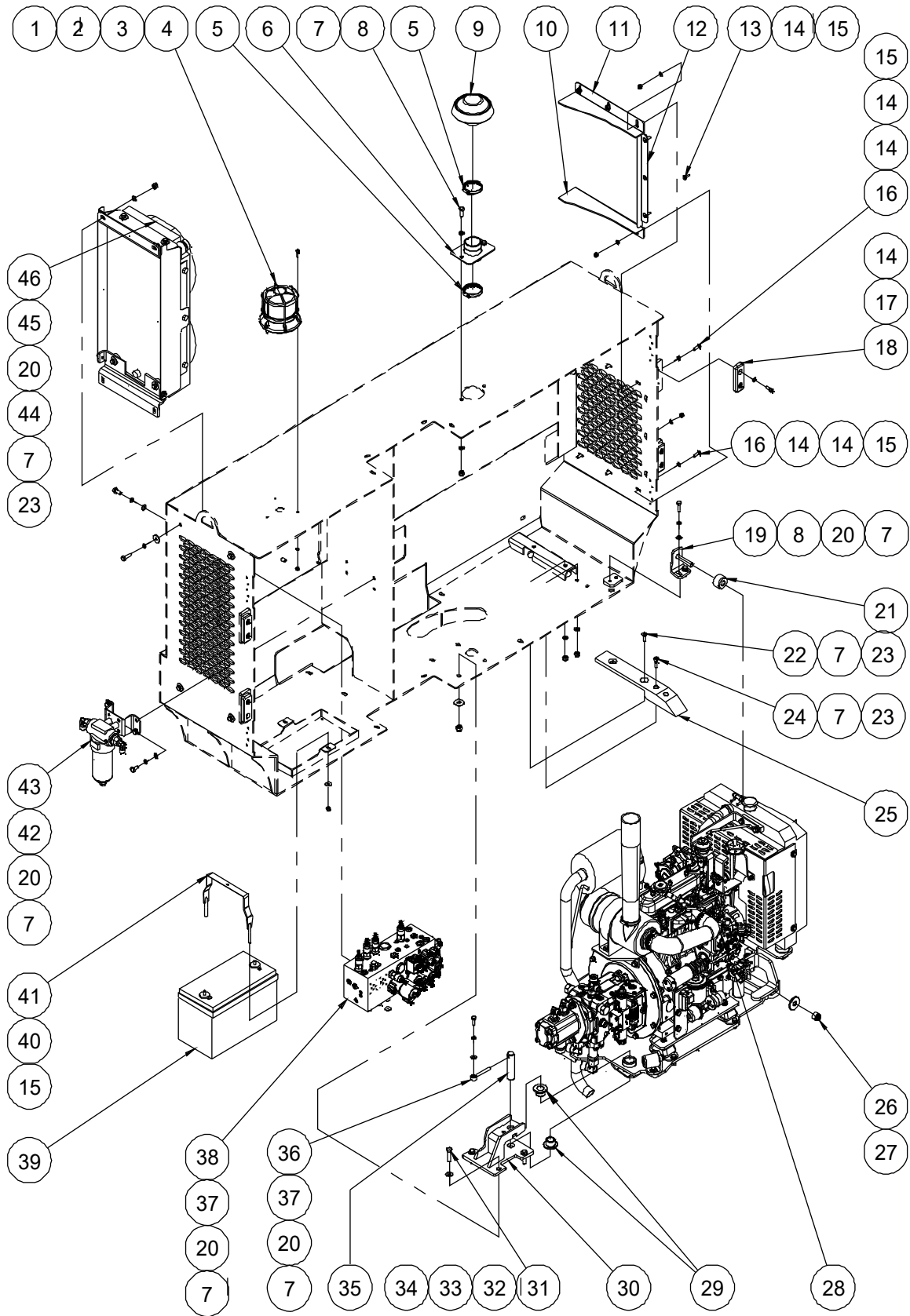
110.1 Engine Tray Door and Ladder Installation

Item	Part No.	Description	Qty.
1	10026101	Back door weldment, right	1
2	00000623	Nut GB/T 6182 M10	10
3	00000615	Washer GB/T 97.1 10	20
4	00000683	Bolt GB/T 5783 M10×30	8
5	00000831	Screw GB/T 70.3 M6×20	40
6	10004083	Hinge	4
7	00000620	Washer GB/T 97.1 6	24
8	00001033	Nut GB/T 6182 M6	20
9	10026060	Front door weldment, right	1
10	10011884	Latch	2
11	00001986	Screw GB/T 818 M6×16 - H	8
12	00002574	Nut GB/T 6183.1 M6	12
13	10026103	Bracket	2
14	10025688	Bracket	2
15	00000818	Bolt GB/T 5783 M6×16	4
16	00000621	Washer GB/T 93 6	4
17	10019936	Spacer	2
18	00002934	Screw GB/T 70.1 M6×35	4
19	10026731	Lock clasp	2
20	00001246	Screw GB/T 70.1 M5×16	8
21	00007942	Washer GB/T 861.2 5	8
22	00007943	Washer GB/T 862.2 5	8
23	00000684	Bolt GB/T 5783 M10×35	2
24	10000376	Bumper	4
25	00002026	Screw GB/T 818 M4×10 - H	4
26	10025766	Ladder	1
27	00000655	Power switch	1
28	00000607	Screw GB/T 818 M5×12 - H	2

110.1 Engine Tray Door and Ladder Installation

Item	Part No.	Description	Qty.
29	00000606	Washer GB/T 93 5	2
30	00000605	Washer GB/T 97.1 5	2

111.1 Engine Tray Assembly



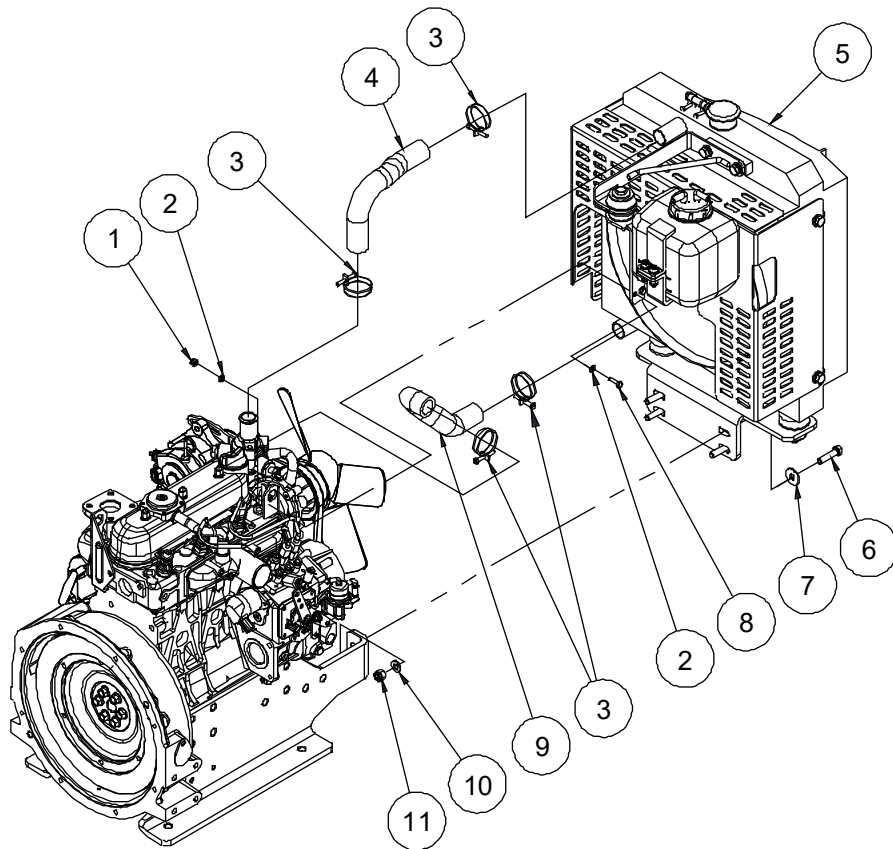
111.1 Engine Tray Assembly

Item	Part No.	Description	Qty.
1	00000620	Washer GB/T 97.1 6	3
2	00001033	Nut GB/T 6182 M6	3
3	00001034	Screw GB/T 70.1 M6×25	3
4	00004883	Beacon	1
5	50001583	Clamp	2
6	10002737	Air cleaner cap mounting weldment	1
7	00000615	Washer GB/T 97.1 10	23
8	00000683	Bolt GB/T 5783 M10×30	4
9	10002733	Air cleaner cap	1
10	10025954	Cover	1
11	10025953	Cover	1
12	10025806	Cover	1
13	00000838	Screw GB/T 70.3 M8×25	3
14	00000608	Washer GB/T 97.1 8	23
15	00001163	Nut GB/T 6182 M8	11
16	00000993	Bolt GB/T 5783 M8×25	6
17	00001061	Screw GB/T 70.1 M8×20	8
18	93300432	Block	4
19	10025950	Bumper bracket	1
20	00000679	Washer GB/T 93 10	15
21	10025952	Roller	1
22	00000847	Screw GB/T 70.3 M10×30	2
23	00000623	Nut GB/T 6182 M10	10
24	00001059	Screw GB/T 70.1 M10×30	2
25	10002693	Spacer	1
26	00001257	Nut GB/T 6182 M16	1
27	10002696	Washer	1
28		Engine assembly (Kubota) (refer to 112.1, 114.1, 115.1)	1
		Engine assembly (Perkins) (refer to 112.2, 114.2, 115.2)	1

111.1 Engine Tray Assembly

Item	Part No.	Description	Qty.
29	00000204	8821-2525A Bearing	2
30	10025800	Engine pivot mounting weldment	1
31	00002452	Bolt GB/T 5783 M12×45	4
32	00000814	Washer GB/T 97.1 12	4
33	00002601	Washer GB/T 96.1 12	4
34	00001249	Nut GB/T 6182 M12	4
35	00000582	895-25098 Pin	1
36	00000220	8902-10080 Pin	1
37	00000678	Bolt GB/T 5783 M10×25	5
38		Function manifold assembly (refer to 117.1)	1
39	00004485	Battery	1
40	00002000	Washer GB/T 96.1 8	2
41	10024896	Plate	1
42	00000674	Bolt GB/T 5783 M10×20	4
43		Filter assembly (refer to 118.1)	1
44	00001028	Washer GB/T 96.1 10	4
45	00000684	Bolt GB/T 5783 M10×35	4
46		Oil cooler assembly (refer to 119.1)	1

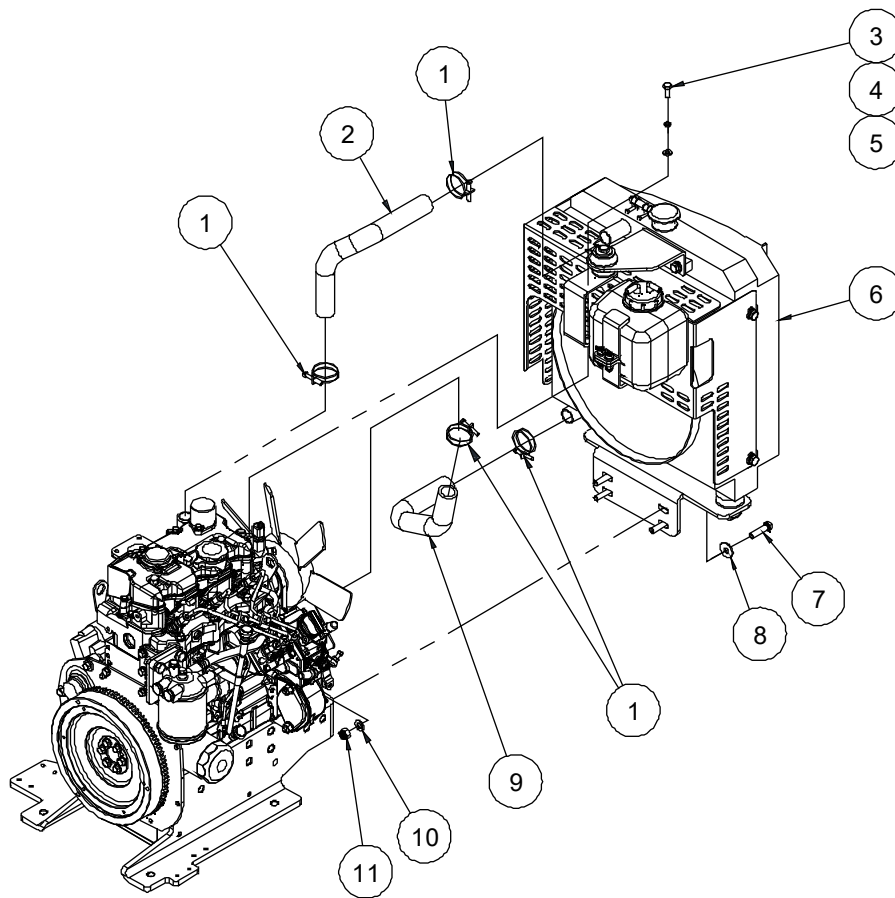
112.1 Cooling System Installation (Kubota)



112.1 Cooling System Installation (Kubota)

Item	Part No.	Description	Qty.
1	00001033	Nut GB/T 6182 M6	2
2	00000620	Washer GB/T 97.1 6	4
3	50001582	Clamp	4
4	10002725	Hose	1
5		Cooling system assembly (Kubota) (refer to 113.1)	1
6	00001041	Bolt GB/T 5783 M10×40	4
7	00001028	Washer GB/T 96.1 10	8
8	00000743	Bolt GB/T 5783 M6×20	2
9	10002726	Hose	1
10	00000615	Washer GB/T 97.1 10	22
11	00000623	Nut GB/T 6182 M10	5

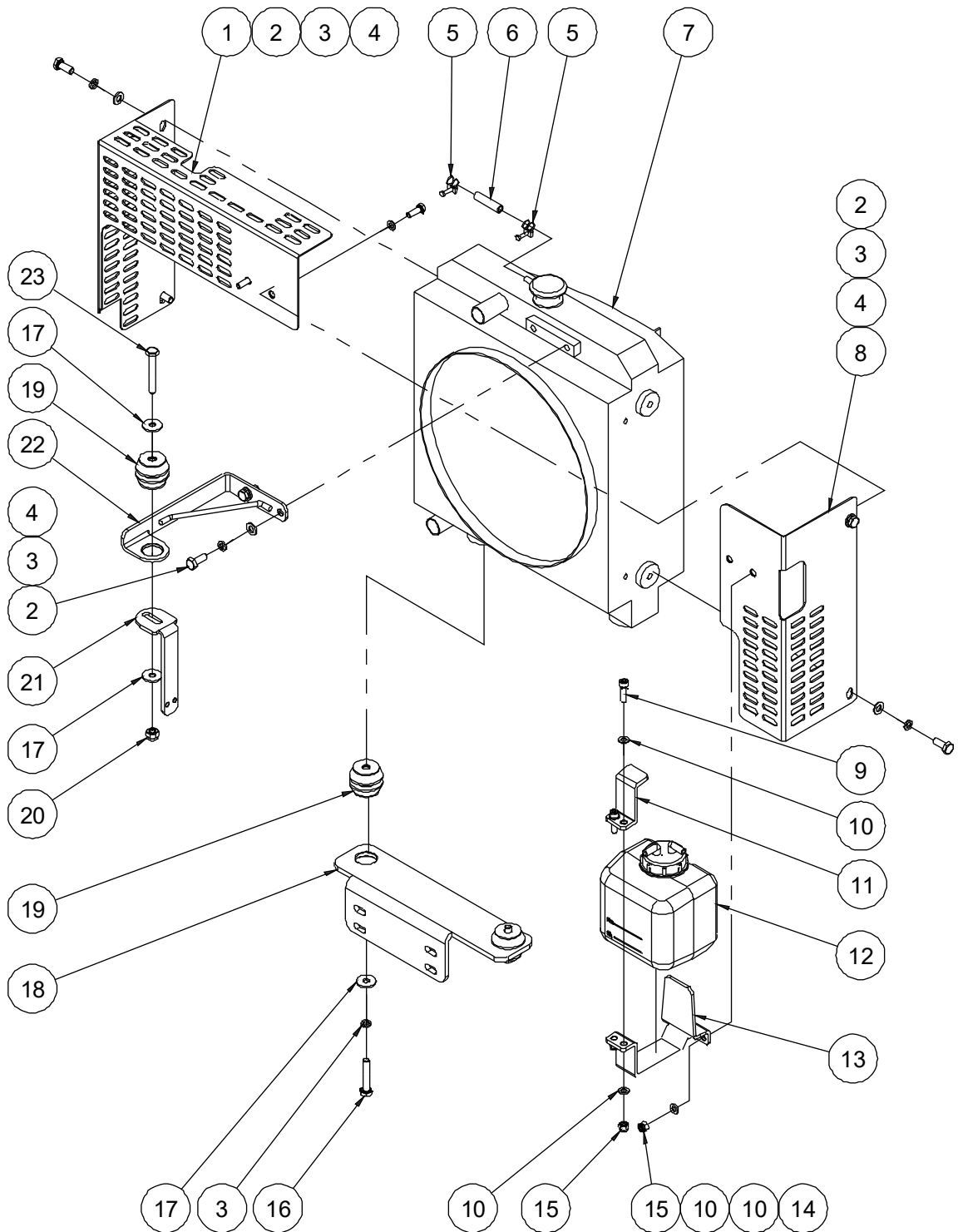
112.2 Cooling System Installation (Kubota)



112.2 Cooling System Installation (Kubota)

Item	Part No.	Description	Qty.
1	50001582	Clamp	4
2	10025606	Hose	1
3	00000875	Bolt GB/T 5783 M8×20	2
4	00000609	Washer GB/T 93 8	2
5	00000608	Washer GB/T 97.1 8	10
6		Cooling system assembly (Perkins) (refer to 113.2)	1
7	00001041	Bolt GB/T 5783 M10×40	4
8	00001028	Washer GB/T 96.1 10	8
9	10025607	Hose	1
10	00000615	Washer GB/T 97.1 10	10
11	00000623	Nut GB/T 6182 M10	5

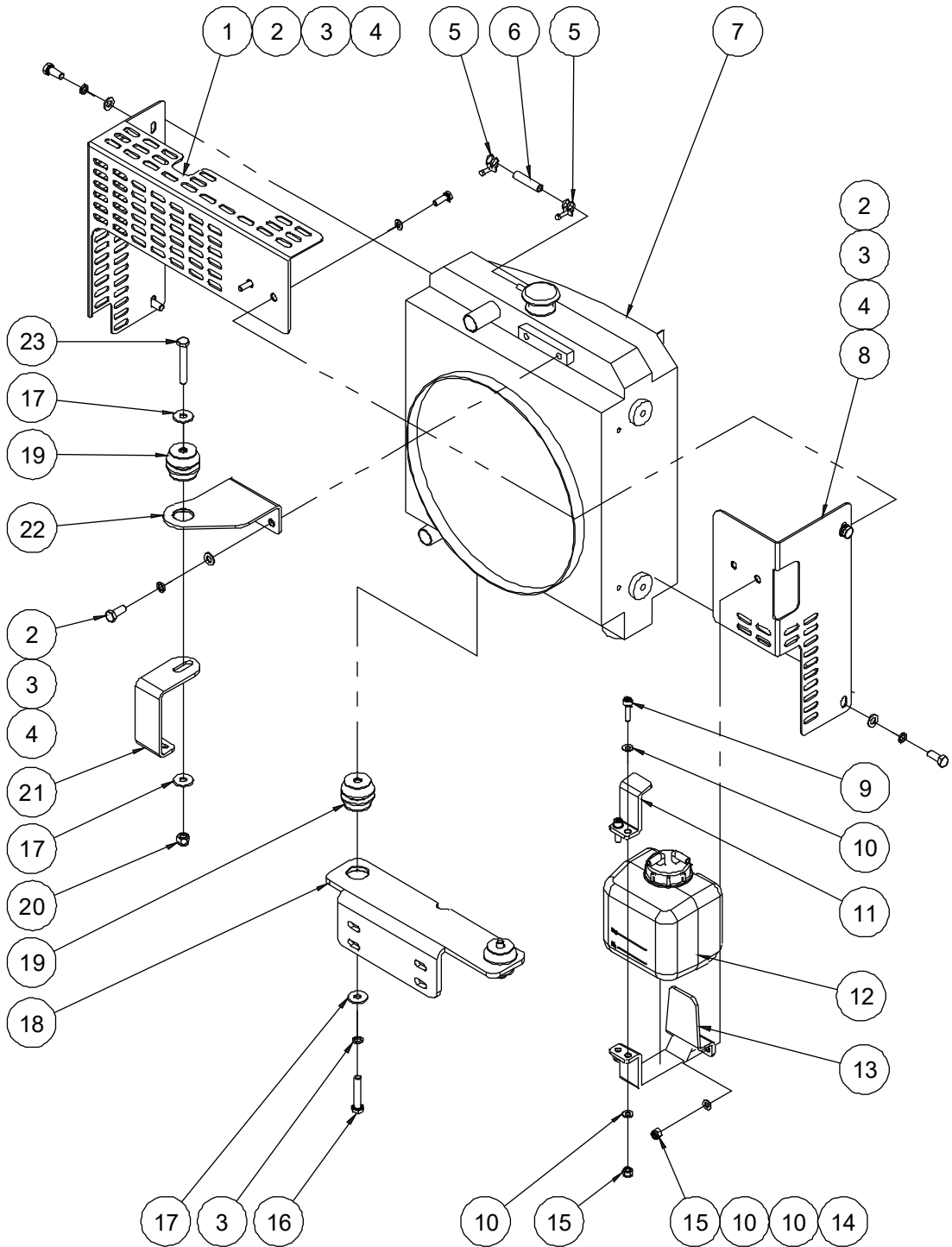
113.1 Cooling System Assembly (Kubota)



113.1 Cooling System Assembly (Kubota)

Item	Part No.	Description	Qty.
1	10002719	Cover	1
2	00000678	Bolt GB/T 5783 M10×25	6
3	00000679	Washer GB/T 93 10	8
4	00000615	Washer GB/T 97.1 10	6
5	50001592	Clamp	2
6	10003008	Hose	1
7	00010794	Cooler	1
8	10002720	Cover	1
9	00002560	Screw GB/T 70.1 M8×30	2
10	00000608	Washer GB/T 97.1 8	8
11	10001220	Bottle fixing plate	1
12	10015262	Coolant recovery bottle	1
13	10001218	Bottle bracket	1
14	00000993	Bolt GB/T 5783 M8×25	2
15	00001163	Nut GB/T 6182 M8	4
16	00000603	Bolt GB/T 5782 M10×55	2
17	00001028	Washer GB/T 96.1 10	4
18	10002718	Cooler bracket	1
19	00002251	Bumper	3
20	00000623	Nut GB/T 6182 M10	1
21	10002721	Support	1
22	10002707	Bracket weldment	1
23	00002512	Bolt GB/T 5782 M10×70	1

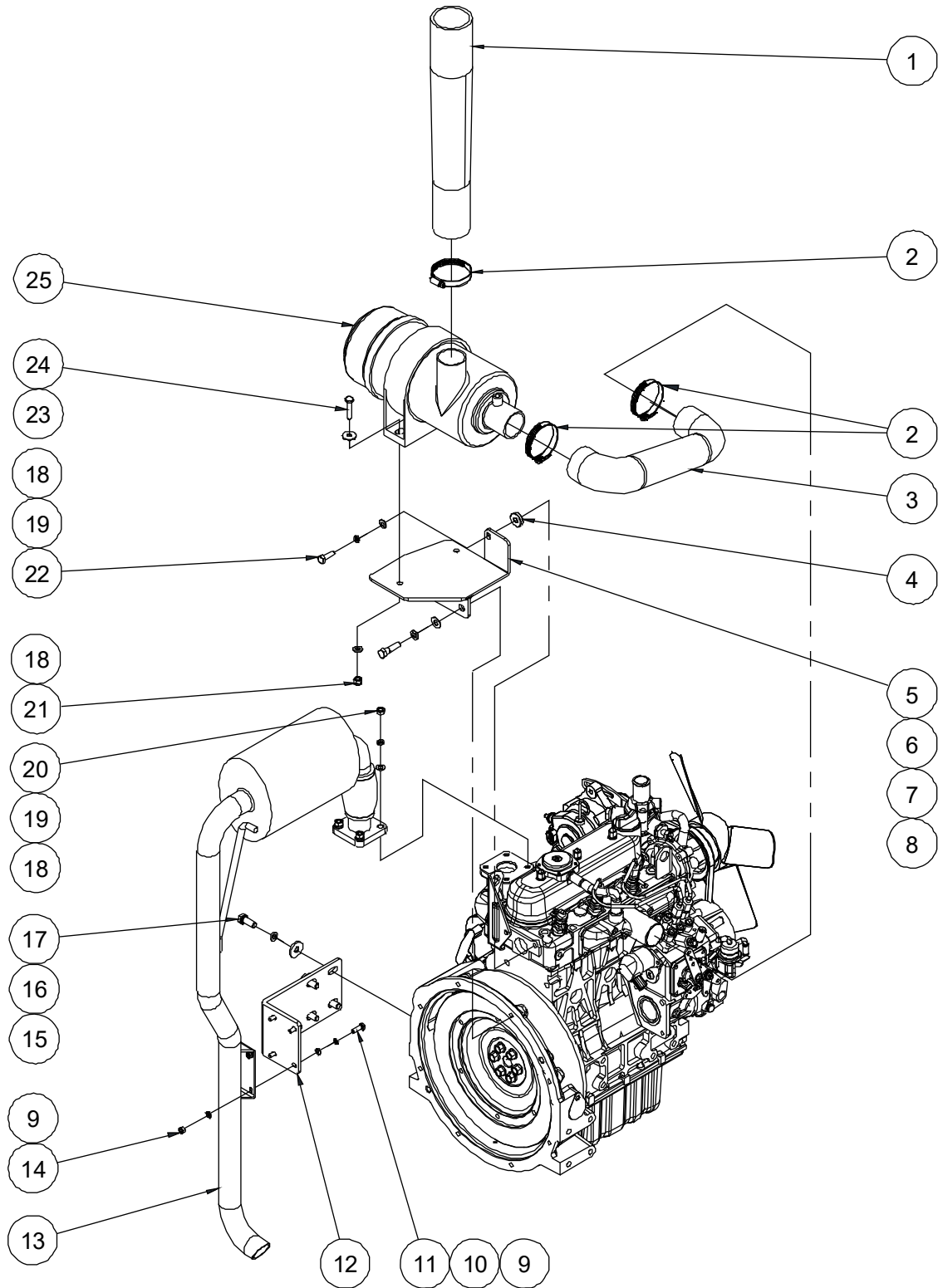
113.2 Cooling System Assembly (Perkins)



113.2 Cooling System Assembly (Perkins)

Item	Part No.	Description	Qty.
1	10025635	Cover	1
2	00000678	Bolt GB/T 5783 M10×25	6
3	00000679	Washer GB/T 93 10	8
4	00000615	Washer GB/T 97.1 10	6
5	50001592	Clamp	2
6	10003008	Hose	1
7	00010792	Cooler	1
8	10025634	Cover	1
9	00002560	Screw GB/T 70.1 M8×30	2
10	00000608	Washer GB/T 97.1 8	8
11	10001220	Bottle fixing plate	1
12	10015262	Coolant recovery bottle	1
13	10001218	Bottle bracket	1
14	00000993	Bolt GB/T 5783 M8×25	2
15	00001163	Nut GB/T 6182 M8	4
16	00000603	Bolt GB/T 5782 M10×55	2
17	00001028	Washer GB/T 96.1 10	4
18	10025605	Cooler bracket	1
19	00002251	Bumper	3
20	00000623	Nut GB/T 6182 M10	1
21	10025677	Support	1
22	10025678	Bracket weldment	1
23	00002512	Bolt GB/T 5782 M10×70	1

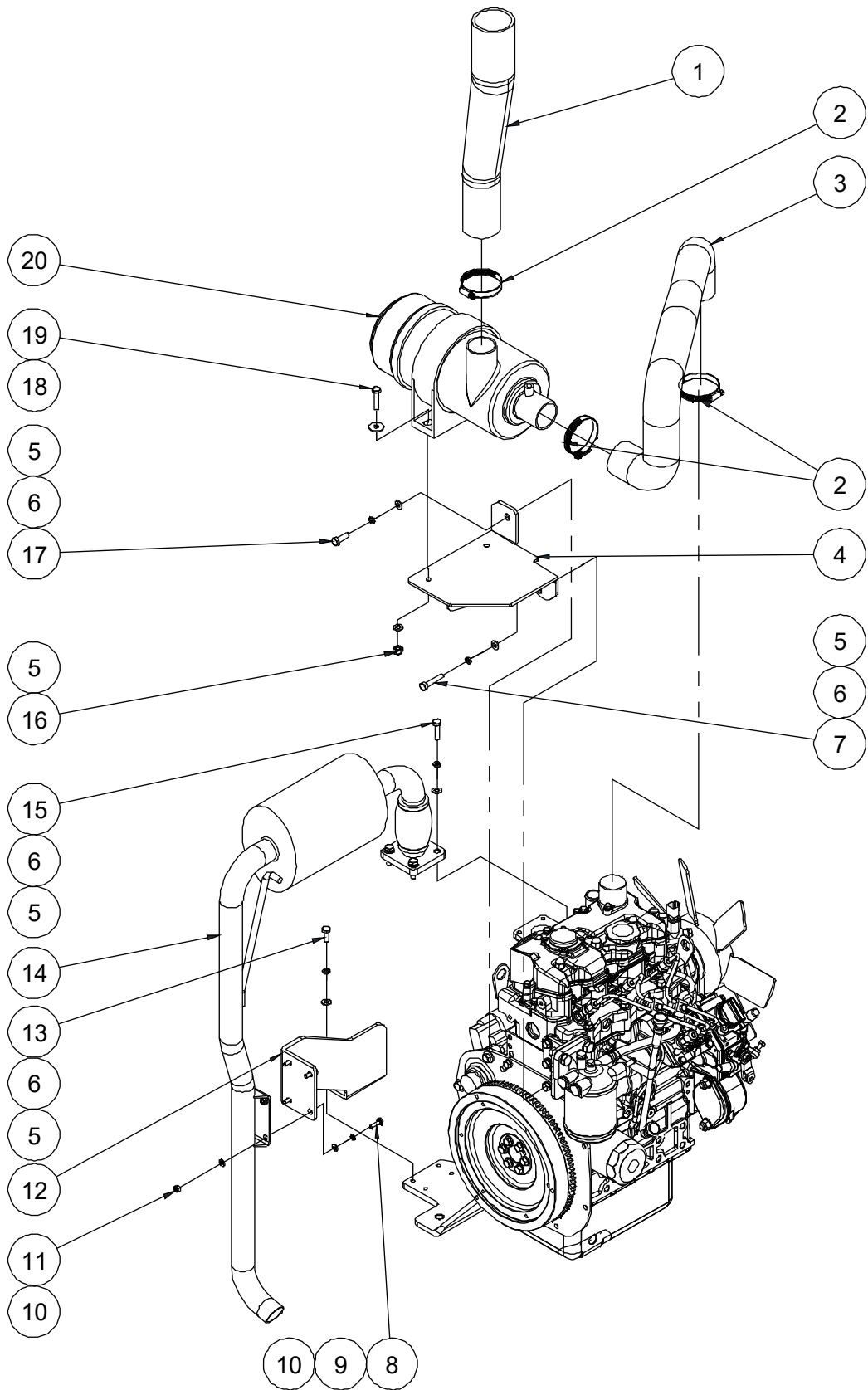
114.1 Intake System and Exhaust System (Kubota)



114.1 Intake System and Exhaust System (Kubota)

Item	Part No.	Description	Qty.
1	10025803	Hose	1
2	50001583	Clamp	3
3	10002724	Hose	1
4	10024929	Washer	1
5	10015432	Air cleaner bracket	1
6	00002024	3/8-16×1 3/8" Hex bolt ANSI B18.2.1	2
7	00005181	Washer ANSI B18.21.1 3/8	2
8	00005182	Washer ANSI B18.22.1 narrow 3/8	2
9	00000620	Washer GB/T 97.1 6	8
10	00000621	Washer GB/T 93 6	4
11	00000743	Bolt GB/T 5783 M6×20	4
12	10024933	Bracket	1
13	10026123	Muffler	1
14	00002247	Nut GB/T 6170 M6	4
15	00001028	Washer GB/T 96.1 10	4
16	00000679	Washer GB/T 93 10	4
17	00000678	Bolt GB/T 5783 M10×25	4
18	00000608	Washer GB/T 97.1 8	7
19	00000609	Washer GB/T 93 8	5
20	00000610	Nut GB/T 6170 M8	4
21	00001163	Nut GB/T 6182 M8	2
22	00000993	Bolt GB/T 5783 M8×25	1
23	00002000	Washer GB/T 96.1 8	2
24	00002488	Bolt GB/T 5783 M8×35	2
25	10002800	Air cleaner	1
--	10002943	Filter element (outer)	1
--	10009453	Filter element (inner)	1

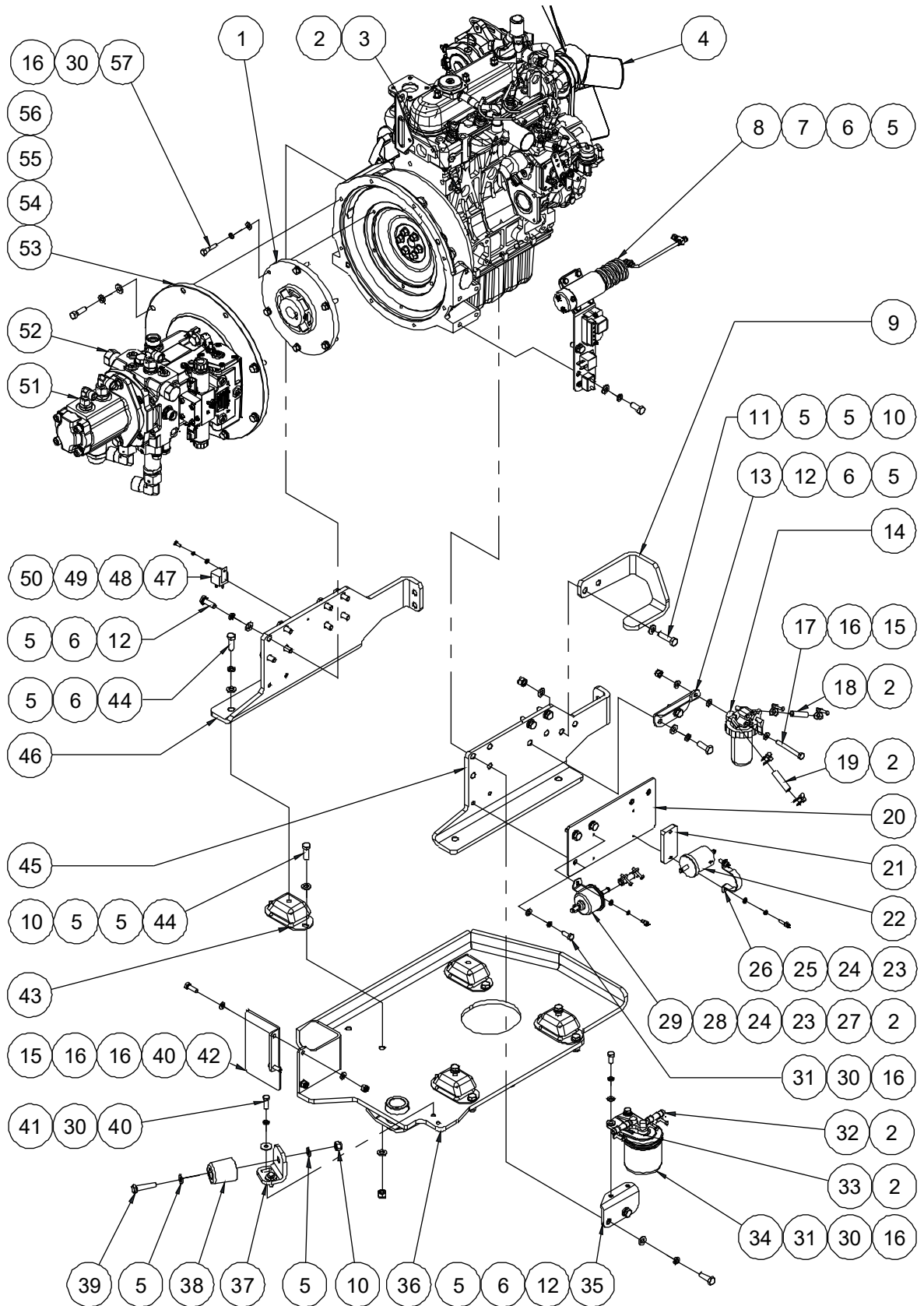
114.2 Intake System and Exhaust System (Perkins)



114.2 Intake System and Exhaust System (Perkins)

Item	Part No.	Description	Qty.
1	10025815	Hose	1
2	50001583	Clamp	3
3	10025615	Hose	1
4	10025645	Air cleaner bracket	1
5	00000608	Washer GB/T 97.1 8	13
6	00000609	Washer GB/T 93 8	11
7	00002604	Bolt GB/T 5783 M8×40	2
8	00000743	Bolt GB/T 5783 M6×20	4
9	00000621	Washer GB/T 93 6	4
10	00000620	Washer GB/T 97.1 6	8
11	00002247	Nut GB/T 6170 M6	4
12	10025649	Muffler bracket	1
13	00000875	Bolt GB/T 5783 M8×20	4
14	10025958	Muffler	1
15	00000995	Bolt GB/T 5783 M8×30	4
16	00001163	Nut GB/T 6182 M8	2
17	00000993	Bolt GB/T 5783 M8×25	1
18	00002000	Washer GB/T 96.1 8	2
19	00002488	Bolt GB/T 5783 M8×35	2
20	10002800	Air cleaner	1
--	10002943	Filter element (outer)	1
--	10009453	Filter element (inner)	1

115.1 Engine Assembly (Kubota)



115.1 Engine Assembly (Kubota)

Item	Part No.	Description	Qty.
1	00010219	Flexible coupling	1
2	10003010	Hose	1
3	50001592	Clamp	10
4	10002785	Engine	1
--	10002787	Alternator	1
--	10002788	Starter motor	1
--	10002789	Filter element, oil filter	1
--	00004716	Coolant temperature switch	1
--	00004715	Oil pressure switch	1
--	00004714	Coil	1
5	00000615	Washer GB/T 97.1 10	44
6	00000679	Washer GB/T 93 10	24
7	00000678	Bolt GB/T 5783 M10×25	2
8		Fuel system assembly (refer to 116.1)	1
9	10022675	Handle	1
10	00000623	Nut GB/T 6182 M10	10
11	00001041	Bolt GB/T 5783 M10×40	2
12	00005700	Bolt GB/T 5786 M10×1.25×30	16
13	10017905	Oil-water separator bracket	1
14	10003003	Oil-water separator	1
15	00001163	Nut GB/T 6182 M8	3
16	00000608	Washer GB/T 97.1 8	16
17	00001860	Bolt GB/T 5782 M8×70	1
18	10003004	Hose	1
19	10018076	Hose	1
20	10017800	Mounting plate	1
21	10017972	Plate	1
22	00008610	Fuel filter	1
23	00000620	Washer GB/T 97.1 6	12

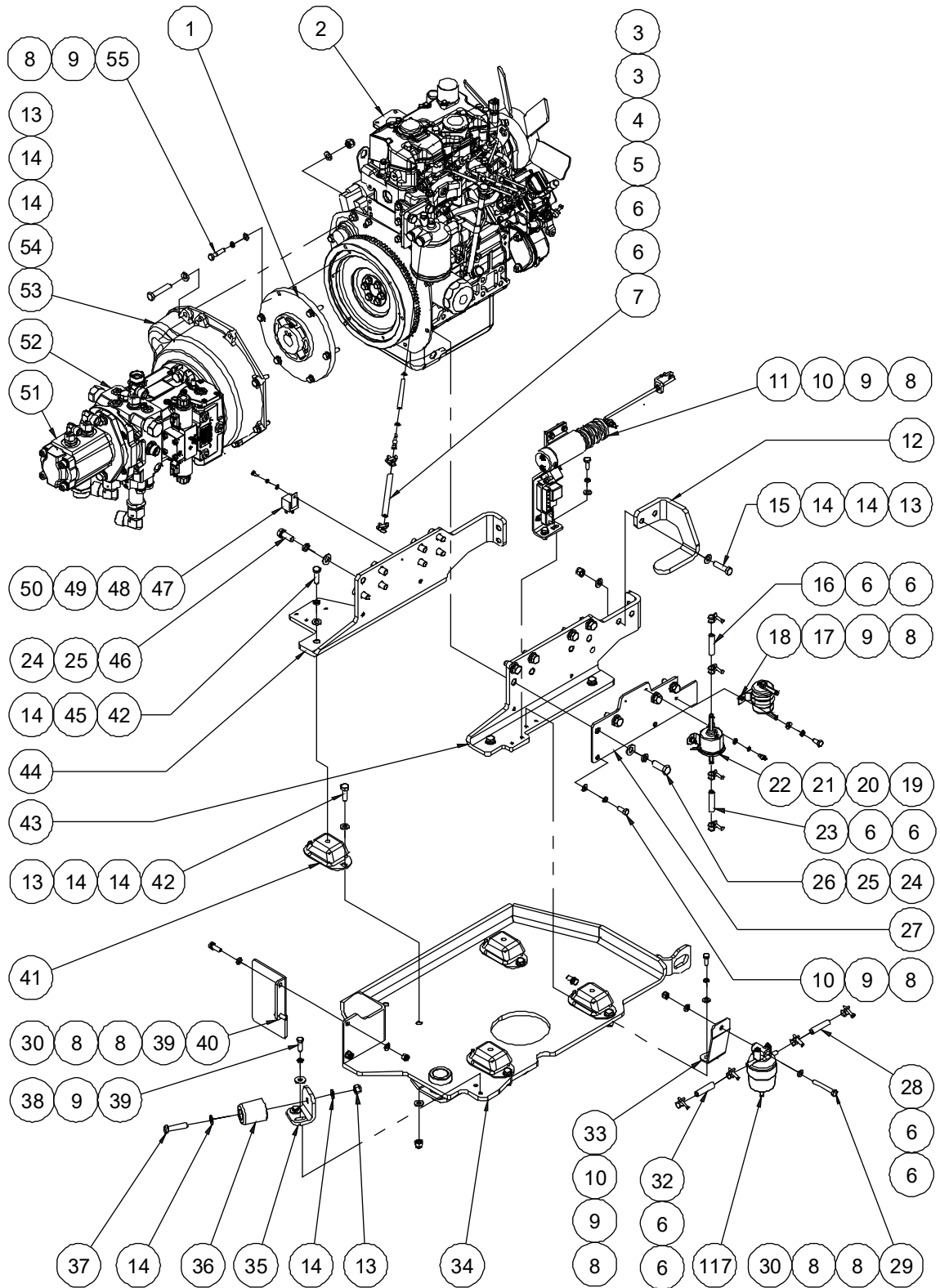
115.1 Engine Assembly (Kubota)

Item	Part No.	Description	Qty.
24	00000621	Washer GB/T 93 6	4
25	00000774	Screw GB/T 70.1 M6×20	2
26	10018000	Clamp	1
27	10018077	Hose	1
28	00008512	Screw GB/T 70.1 M6×10	2
29	10006345	Fuel pump	1
30	00000609	Washer GB/T 93 8	10
31	00000875	Bolt GB/T 5783 M8×20	2
32	10003006	Hose	1
33	10003007	Hose	1
34	10003002	Fuel filter	1
--	10002978	Filter element	1
35	10002728	Fuel filter bracket	1
36	10025797	Engine swing tray weldment	1
37	10024887	Bumper bracket	1
38	10003009	Bumper	1
39	00002411	Screw GB/T 70.1 M10×45	1
40	00000993	Bolt GB/T 5783 M8×25	4
41	00002000	Washer GB/T 96.1 8	2
42	10024918	Cover	1
43	00002162	Absorber	4
44	00000683	Bolt GB/T 5783 M10×30	14
45	10002715	Engine bracket	1
46	10002714	Engine bracket	1
47	00002206	Relay	2
48	00000607	Screw GB/T 818 M5×12 - H	2
49	00000606	Washer GB/T 93 5	2
50	00000605	Washer GB/T 97.1 5	2
51		Pump assembly (refer to 120.1)	1

115.1 Engine Assembly (Kubota)

Item	Part No.	Description	Qty.
52		Drive pump assembly (refer to 121.1)	1
53	50007655	Adapter	1
54	00003194	3/8-16×1 1/4" Bolt ANSI B18.2.1	6
55	00005181	Washer ANSI B18.21.1 3/8	6
56	00005182	Washer ANSI B18.22.1 narrow 3/8	6
57	00005719	5/16-18×1 3/8" Bolt ANSI B18.2.1	6

115.2 Engine Assembly (Perkins)



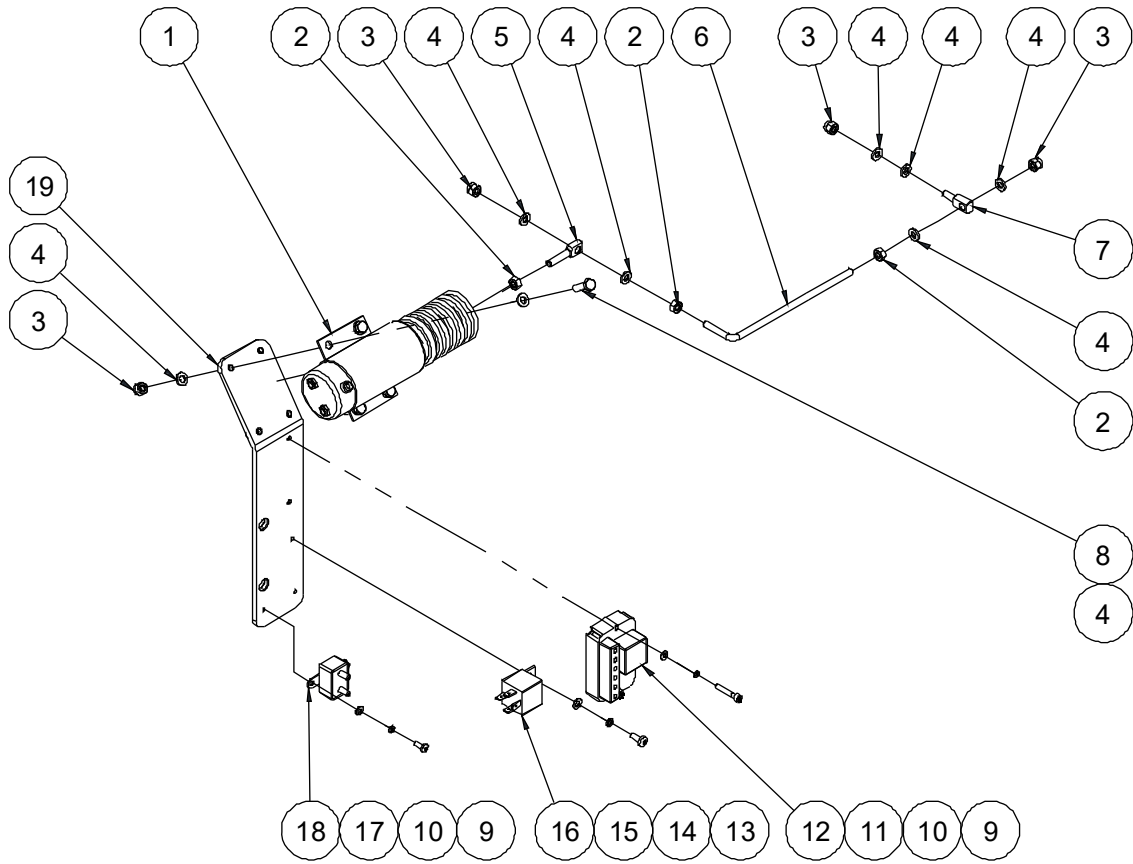
115.2 Engine Assembly (Perkins)

Item	Part No.	Description	Qty.
1	00010219	Flexible coupling	1
2	00010661	Engine	1
3	00007540	Clamp	2
4	10025632	Hose	1
5	00010671	Pipe	1
6	50001592	Clamp	10
7	10025633	Hose	1
8	00000608	Washer GB/T 97.1 8	29
9	00000609	Washer GB/T 93 8	15
10	00000875	Bolt GB/T 5783 M8×20	6
11		Fuel system assembly (refer to 116.2)	1
12	10025630	Handle	1
13	00000623	Nut GB/T 6182 M10	12
14	00000615	Washer GB/T 97.1 10	30
15	00001041	Bolt GB/T 5783 M10×40	1
16	10025631	Hose	1
17	00001063	Bolt GB/T 5783 M8×16	1
18	00010622	Filter	1
19	00000620	Washer GB/T 97.1 6	6
20	00000621	Washer GB/T 93 6	6
21	00008512	Screw GB/T 70.1 M6×10	2
22	00010620	Fuel pump	1
23	10025629	Hose	1
24	00000814	Washer GB/T 97.1 12	15
25	00000815	Washer GB/T 93 12	15
26	00006123	Bolt GB/T 5786 M12×1.25×35	4
27	10025624	Mounting plate	1
28	10025628	Hose	1
29	00001162	Bolt GB/T 5782 M8×60	1

115.2 Engine Assembly (Perkins)

Item	Part No.	Description	Qty.
30	00001163	Nut GB/T 6182 M8	8
31	00010624	Oil-water separator	1
--	00010623	Filter element	1
32	10025627	Hose	1
33	10025831	Oil-water separator bracket	1
34	10025892	Engine swing tray weldment	1
35	10024887	Bumper bracket	1
36	10003009	Bumper	1
37	00002411	Bolt GB/T 5783 M10×45	1
38	00002000	Washer GB/T 96.1 8	2
39	00000993	Bolt GB/T 5783 M8×25	4
40	10024918	Cover	1
41	00002162	Absorber	4
42	00000683	Bolt GB/T 5783 M10×30	12
43	10025657	Engine bracket	1
44	10025656	Engine bracket	1
45	00000679	Washer GB/T 93 10	6
46	00006122	Bolt GB/T 5786 M12x1.25×30	11
47	00002206	Relay	1
48	00000607	Screw GB/T 818 M5×12 - H	2
49	00000606	Washer GB/T 93 5	2
50	00000605	Washer GB/T 97.1 5	2
51		Pump assembly (refer to 120.1)	1
52		Drive pump assembly (refer to 121.1)	1
53	10025643	Adapter	1
54	00002255	Bolt GB/T 5783 M10×55	2
55	00005719	5/16-18×1 3/8" Hex bolt ANSI B18.2.1	6

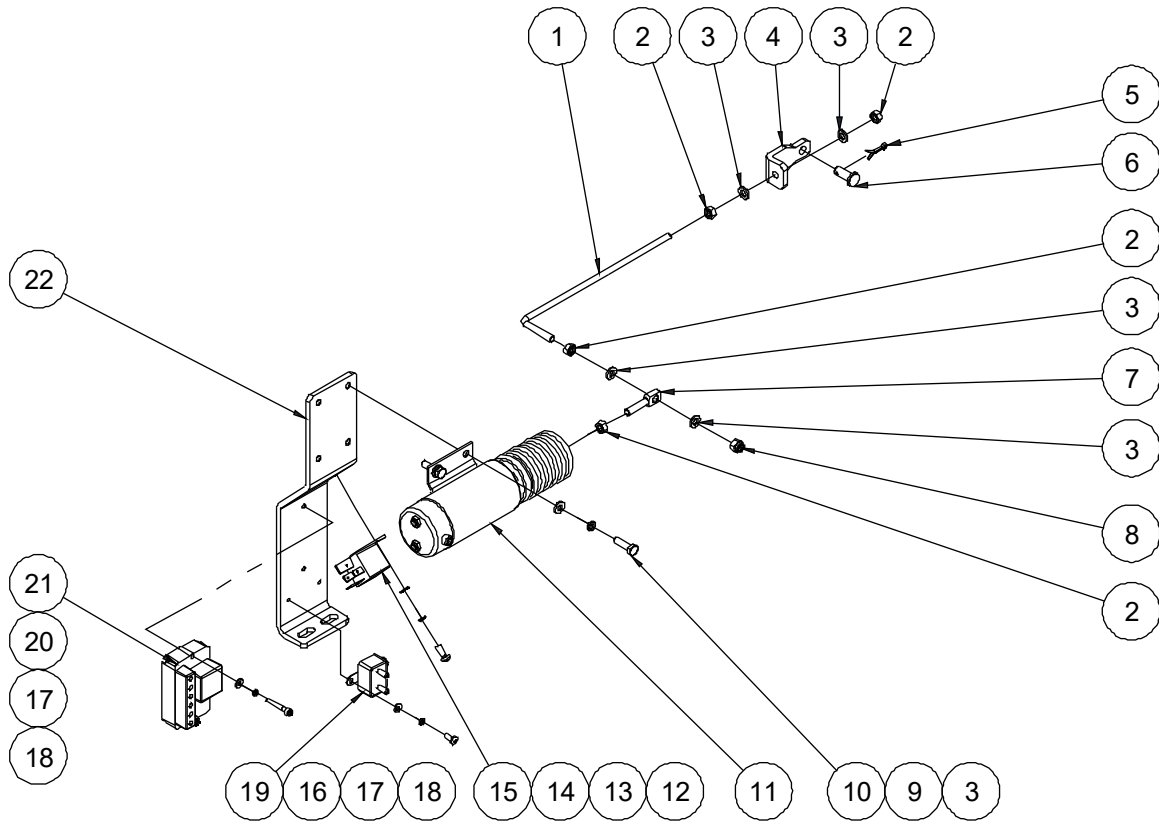
116.1 Fuel System Assembly (Kubota)



116.1 Fuel System Assembly (Kubota)

Item	Part No.	Description	Qty.
1	00002203	Throttle solenoid	1
2	00002247	Nut GB/T 6170 M6	3
3	00001033	Nut GB/T 6182 M6	7
4	00000620	Washer GB/T 97.1 6	14
5	10002730	Throttle screw	1
6	10002729	Throttle linkage	1
7	10002731	Throttle screw	1
8	00000743	Bolt GB/T 5783 M6×20	4
9	00000778	Washer GB/T 97.1 4	4
10	00000779	Washer GB/T 93 4	4
11	00002228	Screw GB/T 70.1 M4×25	2
12	00002204	Solenoid module	1
13	00000605	Washer GB/T 97.1 5	1
14	00000606	Washer GB/T 93 5	1
15	00000607	Screw GB/T 818 M5×12 - H	1
16	00002206	Relay	1
17	00002026	Screw GB/T 818 M4×10 - H	2
18	00002410	Circuit breaker	1
19	10026851	Throttle solenoid bracket	1

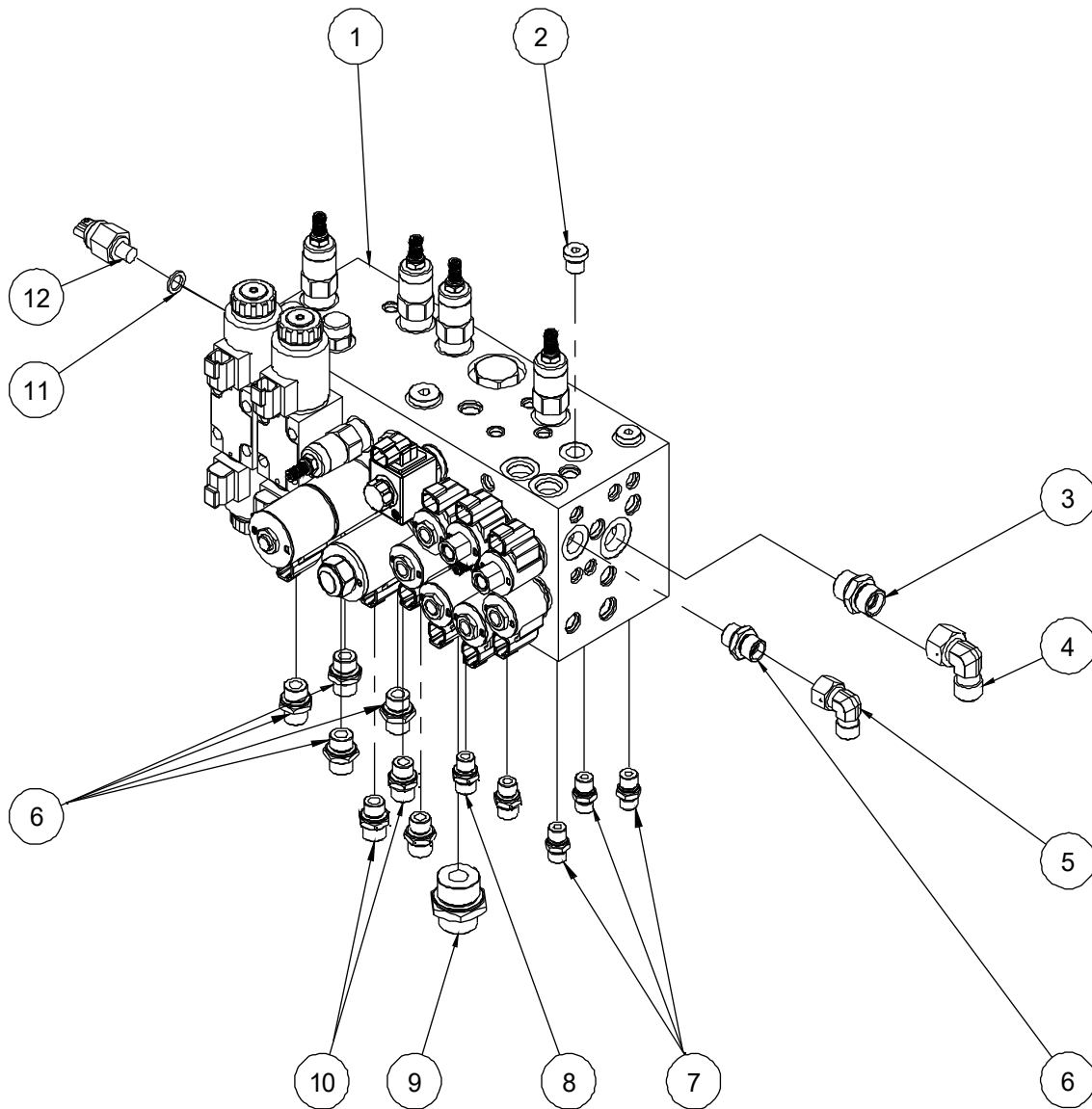
116.2 Fuel System Assembly (Perkins)



116.2 Fuel System Assembly (Perkins)

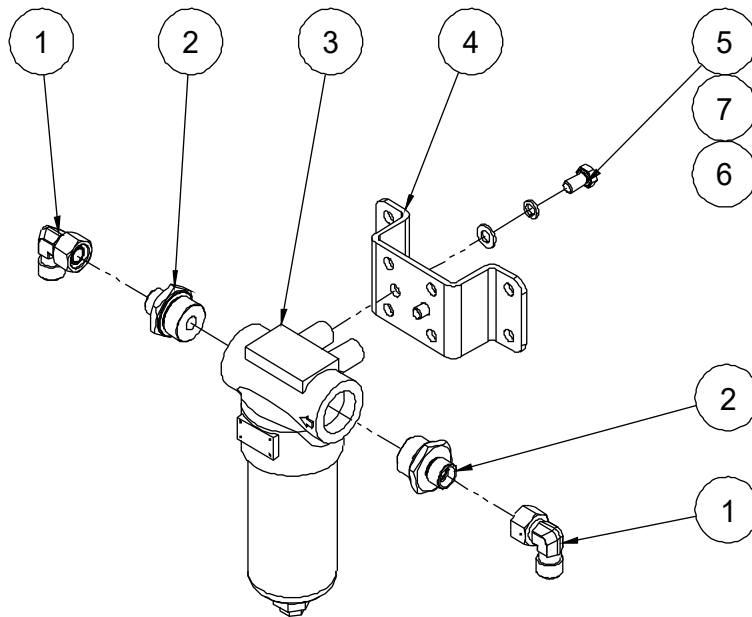
Item	Part No.	Description	Qty.
1	10024732	Throttle linkage	1
2	00002247	Nut GB/T 6170 M6	4
3	00000620	Washer GB/T 97.1 6	8
4	10024731	Throttle screw	1
5	00002389	Pin GB/T 91 3.2×18	1
6	10025679	Pin	1
7	10002730	Throttle screw	1
8	00001033	Nut GB/T 6182 M6	1
9	00000621	Washer GB/T 93 6	4
10	00000743	Bolt GB/T 5783 M6×20	4
11	00002203	Throttle solenoid	1
12	00000605	Washer GB/T 97.1 5	1
13	00000606	Washer GB/T 93 5	1
14	00000607	Screw GB/T 818 M5×12 - H	1
15	00006422	Relay	1
16	00002026	Screw GB/T 818 M4×10 - H	2
17	00000779	Washer GB/T 93 4	4
18	00000778	Washer GB/T 97.1 4	4
19	00009889	Circuit breaker	1
20	00002228	Screw GB/T 70.1 M4×25	2
21	00002204	Solenoid module	1
22	10024733	Throttle solenoid bracket	1

117.1 Function Manifold Assembly



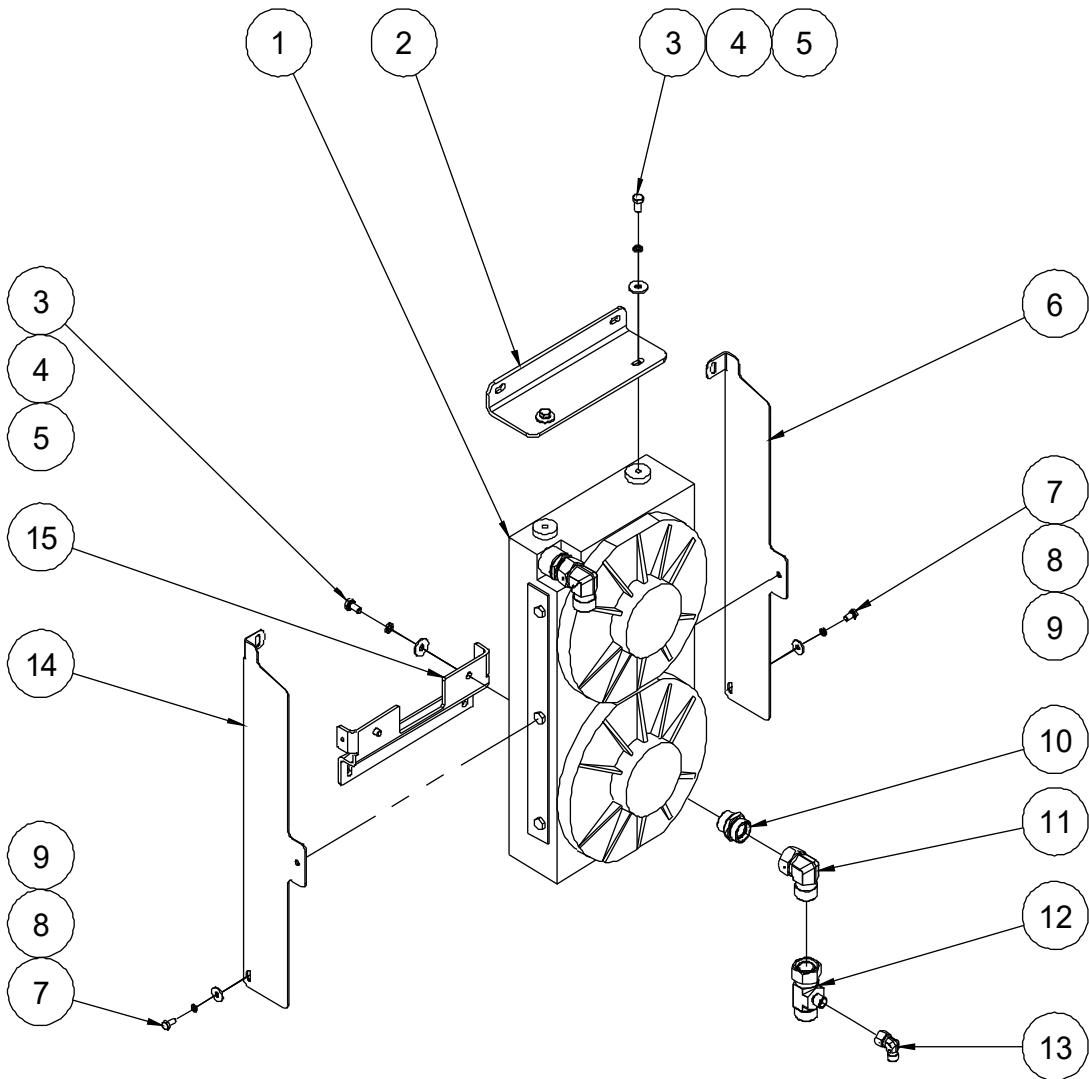
117.1 Function Manifold Assembly

Item	Part No.	Description	Qty.
1		Function manifold (refer to 406.1,406.2)	1
2	00001073	Plug VST114×1.5ED	2
3	00001266	Straight fitting	1
4	00001835	Elbow	1
5	00001834	Elbow	1
6	00001262	Straight fitting	5
7	00001282	Straight fitting	3
8	00001290	Straight fitting	2
9	00001272	Straight fitting	1
10	00001294	Straight fitting	3
11	00001333	Washer JB/T 982 12	1
12	00011611	Pressure switch	1

118.1 Filter Assembly**118.1 Filter Assembly**

Item	Part No.	Description	Qty.
1	00001835	Elbow	2
2	00002069	Straight fitting	2
3	00001870	High pressure line filter	1
--	00004697	Filter element	1
4	50002311	Filter bracket	1
5	00000674	Bolt GB/T 5783 M10×20	2
6	00000615	Washer GB/T 97.1 10	2
7	00000679	Washer GB/T 93 10	2

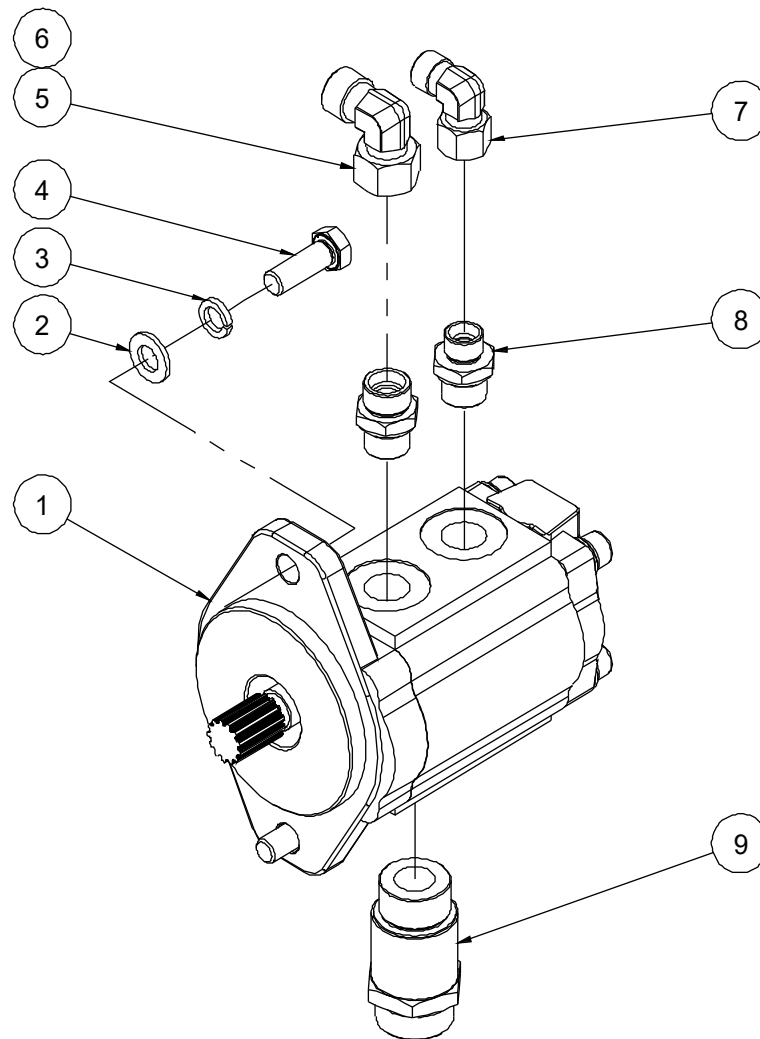
119.1 Oil Cooler Assembly



119.1 Oil Cooler Assembly

Item	Part No.	Description	Qty.
1	00001874	Radiator	1
2	50001466	Bracket	1
3	00000674	Bolt GB/T 5783 M10×20	4
4	00000679	Washer GB/T 93 10	4
5	00001028	Washer GB/T 96.1 10	4
6	10024846	Bracket	1
7	00001063	Bolt GB/T 5783 M8×16	2
8	00000609	Washer GB/T 93 8	2
9	00002000	Washer GB/T 96.1 8	2
10	00002071	Straight fitting	2
11	00001837	Elbow	2
12	00004979	Tee fitting	1
13	00001834	Elbow	1
14	10025598	Bracket	1
15	10026265	Bracket	1

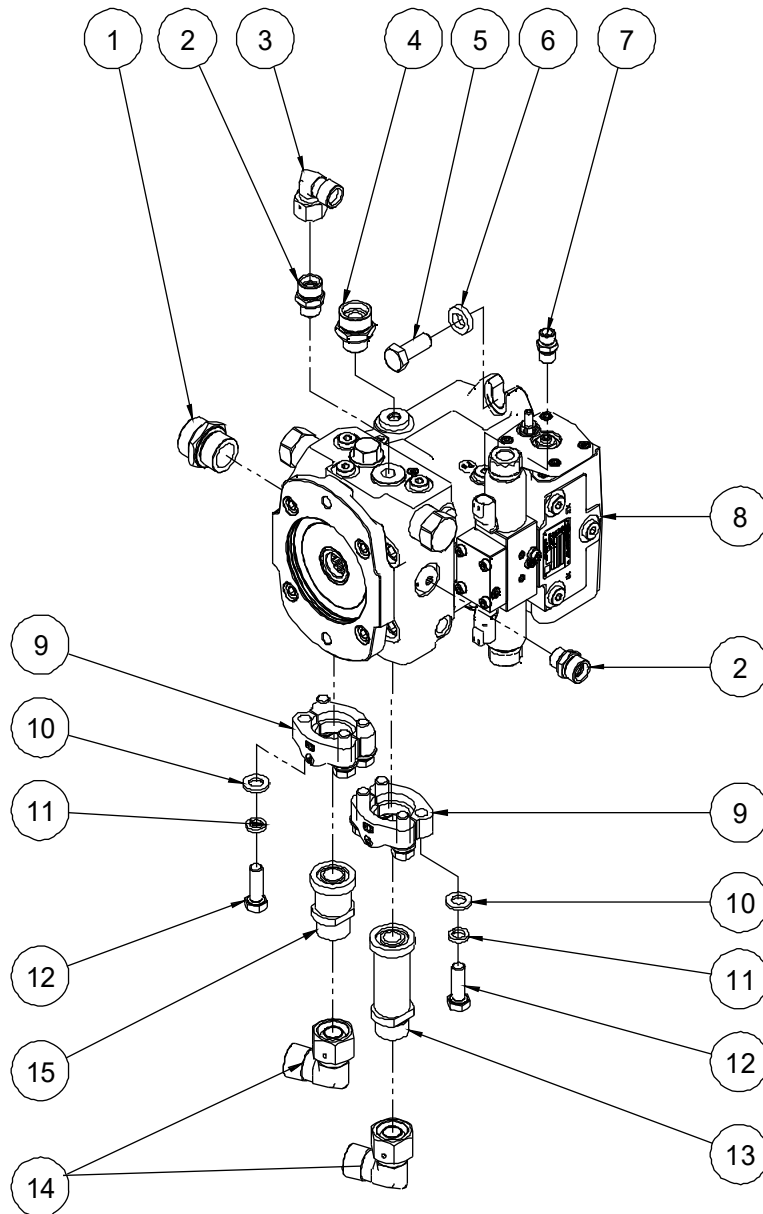
120.1 Pump Assembly



120.1 Pump Assembly

Item	Part No.	Description	Qty.
1	00010765	Pump	1
2	00000814	Washer GB/T 97.1 12	2
3	00000815	Washer GB/T 93 12	2
4	00002046	Bolt GB/T 5783 M12×35	2
5	00001835	Elbow	1
6	00001506	Straight fitting	1
7	00001834	Elbow	1
8	00001504	Straight fitting	1
9	00009850	Straight fitting	1

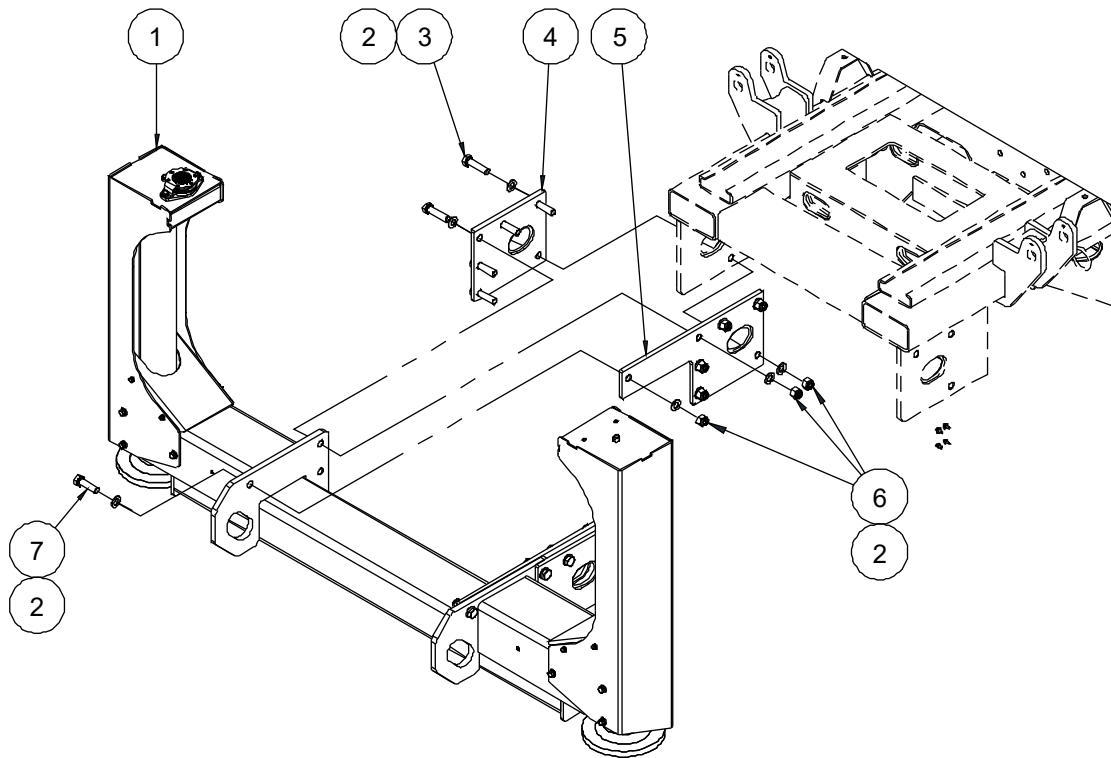
121.1 Drive Pump Assembly



121.1 Drive Pump Assembly

Item	Part No.	Description	Qty.
1	00002071	Straight fitting	1
2	00001264	Straight fitting	2
3	00001835	Elbow	1
4	00001270	Straight fitting	1
5	00002248	Bolt GB/T 5783 M14×35	2
6	93300873	Washer	2
7	00001282	Straight fitting	1
8	00010226	Piston pump	1
9	00008672	Flange	2
10	00000814	Washer GB/T 97.1 12	8
11	00000815	Washer GB/T 93 12	8
12	00002046	Bolt GB/T 5783 M12×35	8
13	00010484	Flange adapter	1
14	00001842	Elbow	2
15	00010483	Flange adapter	1

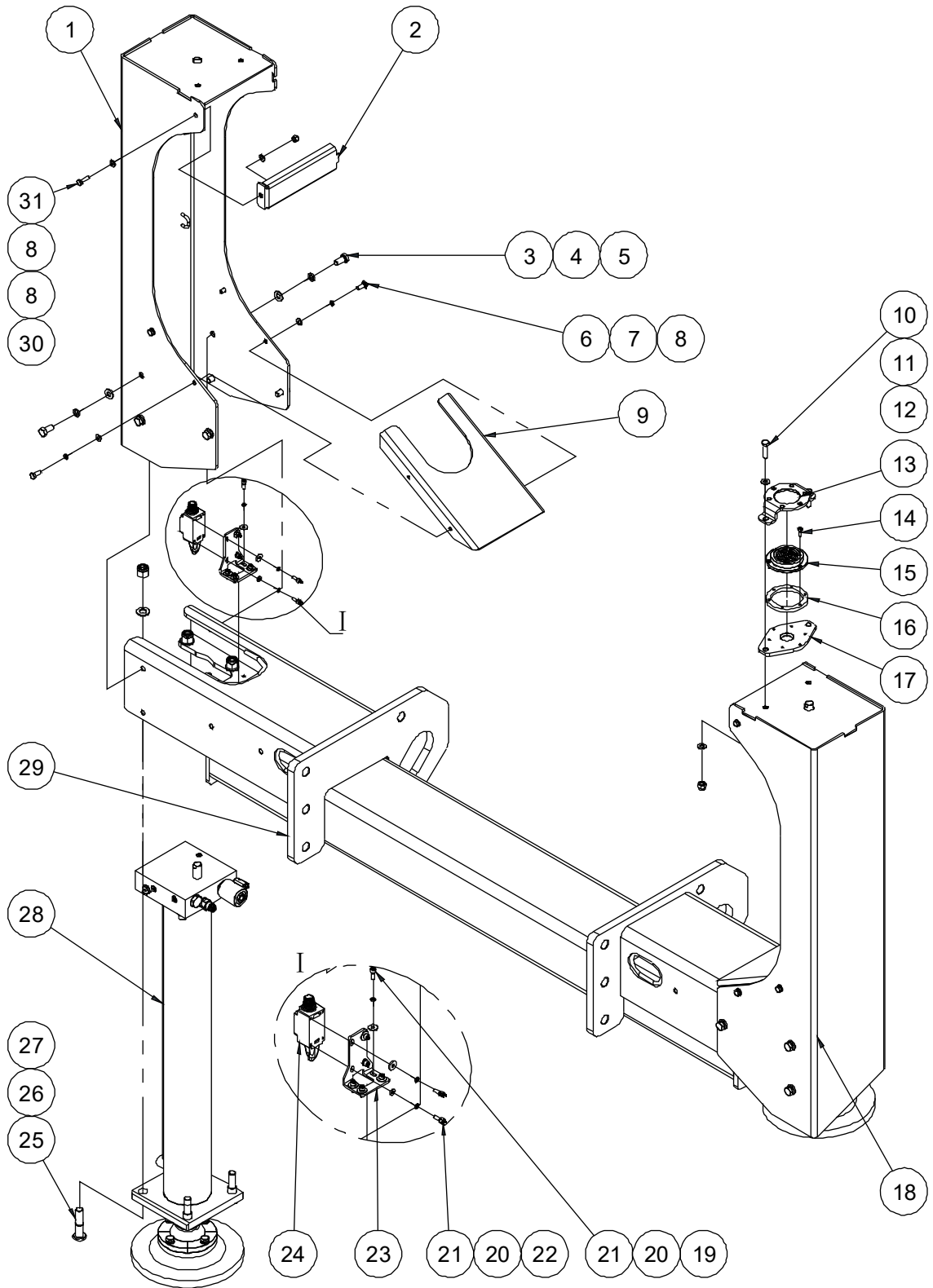
122.1 Outrigger Installation



122.1 Outrigger Installation

Item	Part No.	Description	Qty.
1		Outrigger assembly (refer to 123.1)	1
2	00001050	Washer GB/T 97.1 20	28
3	00003875	Bolt GB/T 5783 M20×80	12
4	10025962	Outrigger mount plate	2
5	10025965	Outrigger mount plate	2
6	00001051	Nut GB/T 6182 M20	14
7	00002223	Bolt GB/T 5783 M20×70	2

123.1 Outrigger Assembly



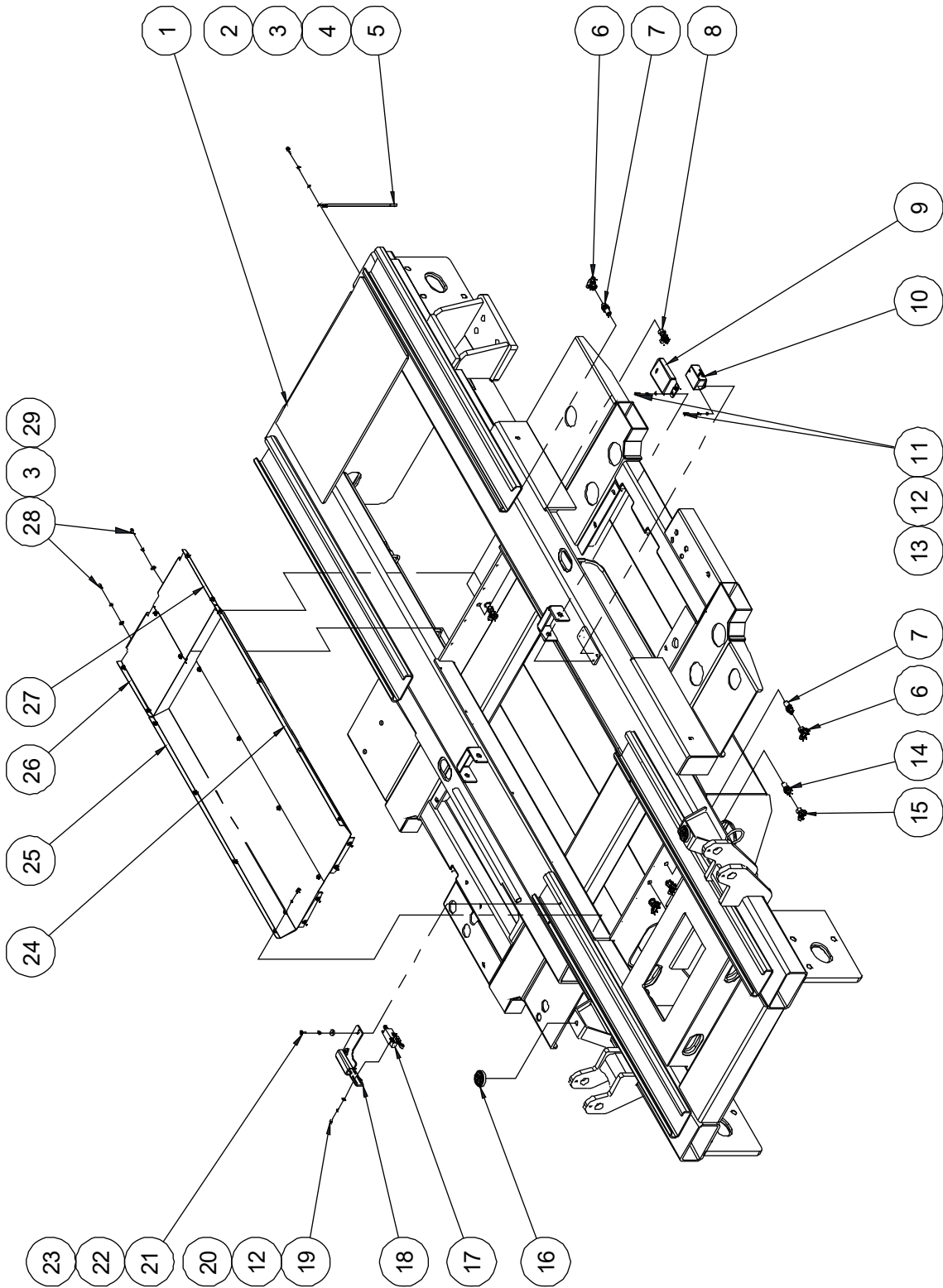
123.1 Outrigger Assembly

Item	Part No.	Description	Qty.
1	10004324	Outrigger housing	1
2	10004320	Cover	2
3	00000816	Bolt GB/T 5783 M12×25	12
4	00000815	Washer GB/T 93 12	12
5	00000814	Washer GB/T 97.1 12	12
6	00000875	Bolt GB/T 5783 M8×20	8
7	00000609	Washer GB/T 93 8	8
8	00000608	Washer GB/T 97.1 8	12
9	10004326	Cover	2
10	00000684	Bolt GB/T 5783 M10×35 (option)	2
11	00000615	Washer GB/T 97.1 10 (option)	4
12	00000623	Nut GB/T 6182 M10 (option)	2
13	10004260	Bubble level cover (option)	1
14	00001246	Screw GB/T 70.1 M5×16 (option)	3
15	10004259	Bubble level (option)	1
16	10004271	Rubber pad (option)	1
17	10003797	Bubble level mount plate (option)	1
18	10004321	Outrigger housing	1
19	00002583	Washer GB/T 96.1 6	12
20	00000621	Washer GB/T 93 6	15
21	00000876	Screw GB/T 70.1 M6×16	16
22	00000620	Washer GB/T 97.1 6	4
23	10003845	Switch bracket	2
24	00000750	Limit switch	2
25	10003839	Screw	8
26	00000997	Washer GB/T 97.1 16	8
27	00001257	Nut GB/T 6182 M16	8
28		Outrigger cylinder assembly (without seal kit) (refer to 403.1, 403.2, 403.3, 403.4)	2

123.1 Outrigger Assembly

Item	Part No.	Description	Qty.
29	10003823	Outrigger yoke	1
30	00001163	Nut GB/T 6182 M8	2
31	00000993	Bolt GB/T 5783 M8×25	2

124.1 Chassis Accessory Installation

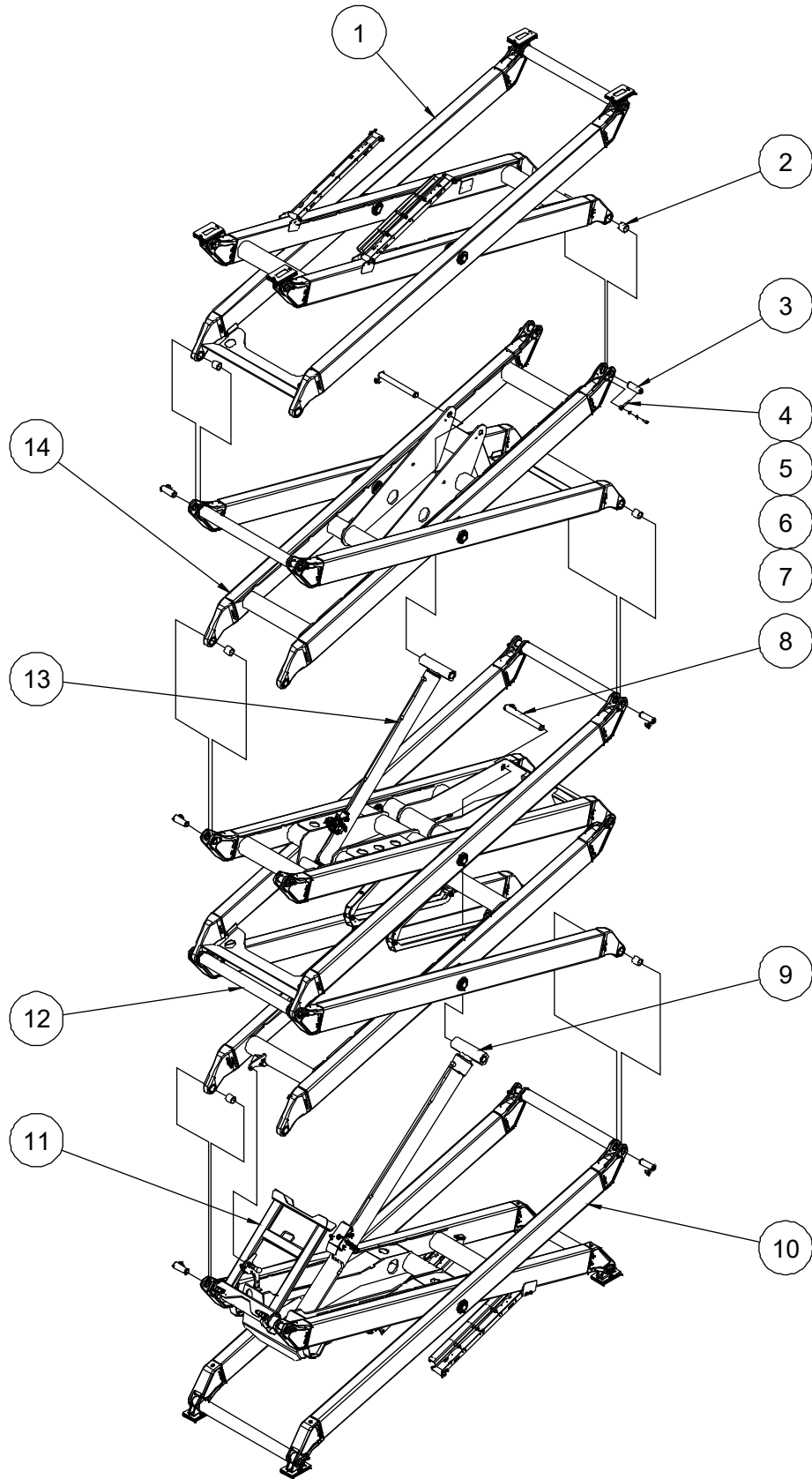


124.1 Chassis Accessory Installation

Item	Part No.	Description	Qty.
1	10025895	Frame weldment	1
2	00000743	Bolt GB/T 5783 M6×20	1
3	00000621	Washer GB/T 93 6	29
4	00000620	Washer GB/T 97.1 6	1
5	10002979	Ground strap	1
6	00002120	Tee fitting	4
7	00002137	Straight fitting	4
8	00001239	Tee fitting	2
9	10027052	Tilt sensor cover	1
10	00003962	Tilt sensor	1
11	00001246	Screw GB/T 70 M5×16	6
12	00000606	Washer GB/T 93 5	10
13	00000605	Washer GB/T 97.1 5	6
14	00002136	Straight fitting	2
15	00002119	Tee fitting	2
16	10003263	Block	2
17	00002354	Limit switch	1
18	10025329	Switch bracket	1
19	00003545	Washer GB/T 96.1 5	4
20	00001252	Screw GB/T 70.1 M5×12	4
21	00002000	Washer GB/T 96.1 8	2
22	00000609	Washer GB/T 93 8	2
23	00001063	Bolt GB/T 5783 M8×16	2
24	10024906	Cover	1
25	10024909	Cover	1
26	10024913	Cover	1
27	10024910	Cover	1
28	00002029	Screw GB/T 70.1 M6×12	28
29	00002583	Washer GB/T 96.1 6	28

Section 2 Scissor

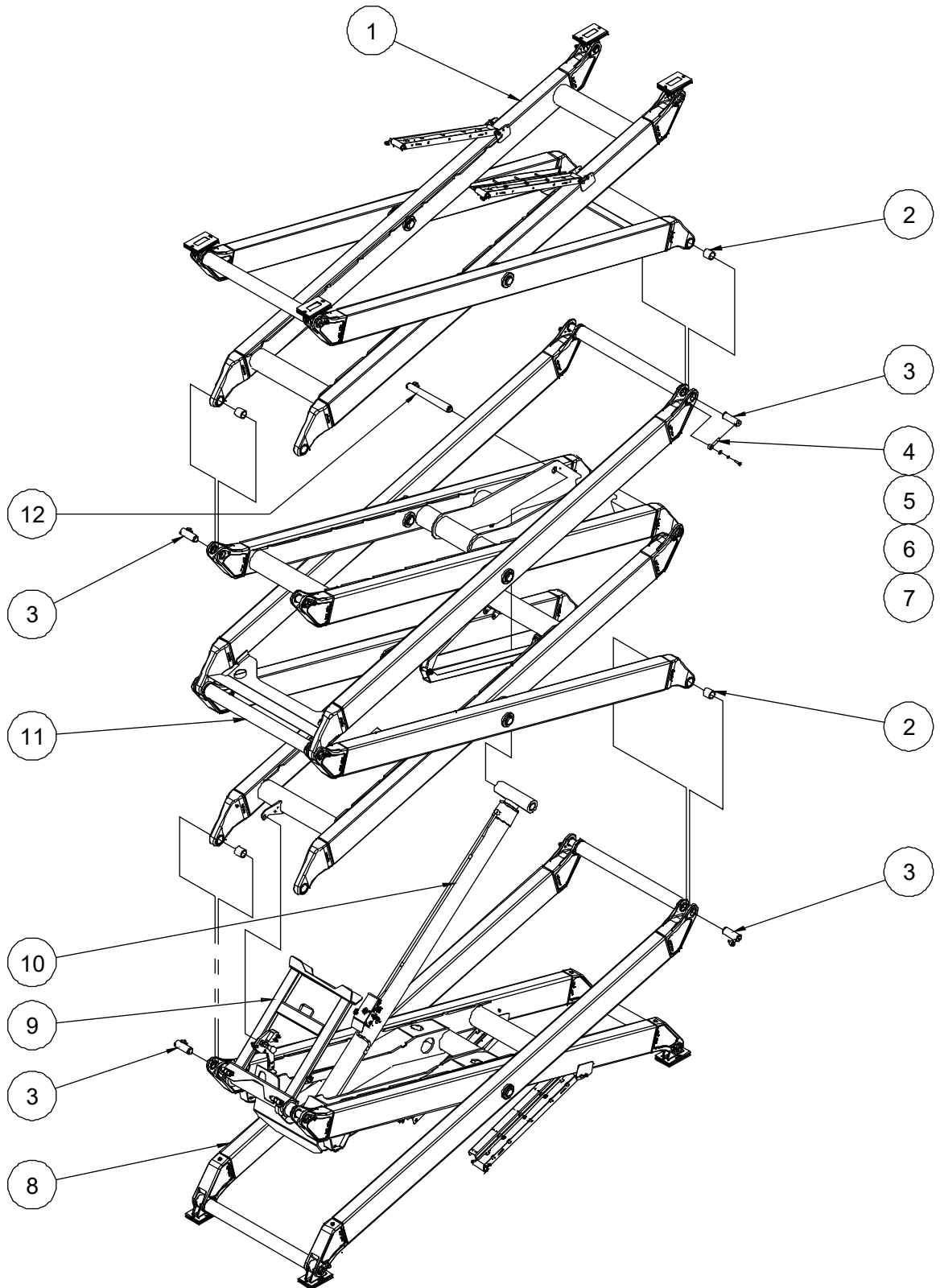
201.1 Scissor Assembly (JCPT1823RTL)



201.1 Scissor Assembly (JCPT1823RTL)

Item	Part No.	Description	Qty.
1		Scissor arm assembly 5 (refer to 202.1)	1
2	00000423	8813-455555 Bearing	12
3	00003841	896B-45×120.5 Pin	12
4	00002464	8902-12085 Pin	16
5	00000814	Washer GB/T 97.1 12	16
6	00000815	Washer GB/T 93 12	16
7	00001055	Bolt GB/T 5783 M12×40	16
8	00000578	896-45×373.5 Pin	4
9		Lower lift cylinder assembly (without seal kit) (refer to 401.1)	1
10		Scissor arm assembly 1 (refer to 204.1)	1
11		Safety arm assembly (refer to 205.1)	1
12		Scissor arm assembly 2-3 (JCPT1823RTL) (refer to 206.1)	1
13		Upper lift cylinder assembly (without seal kit) (refer to 402.1)	1
14		Scissor arm assembly 4 (JCPT1823RTL) (refer to 209.1)	1

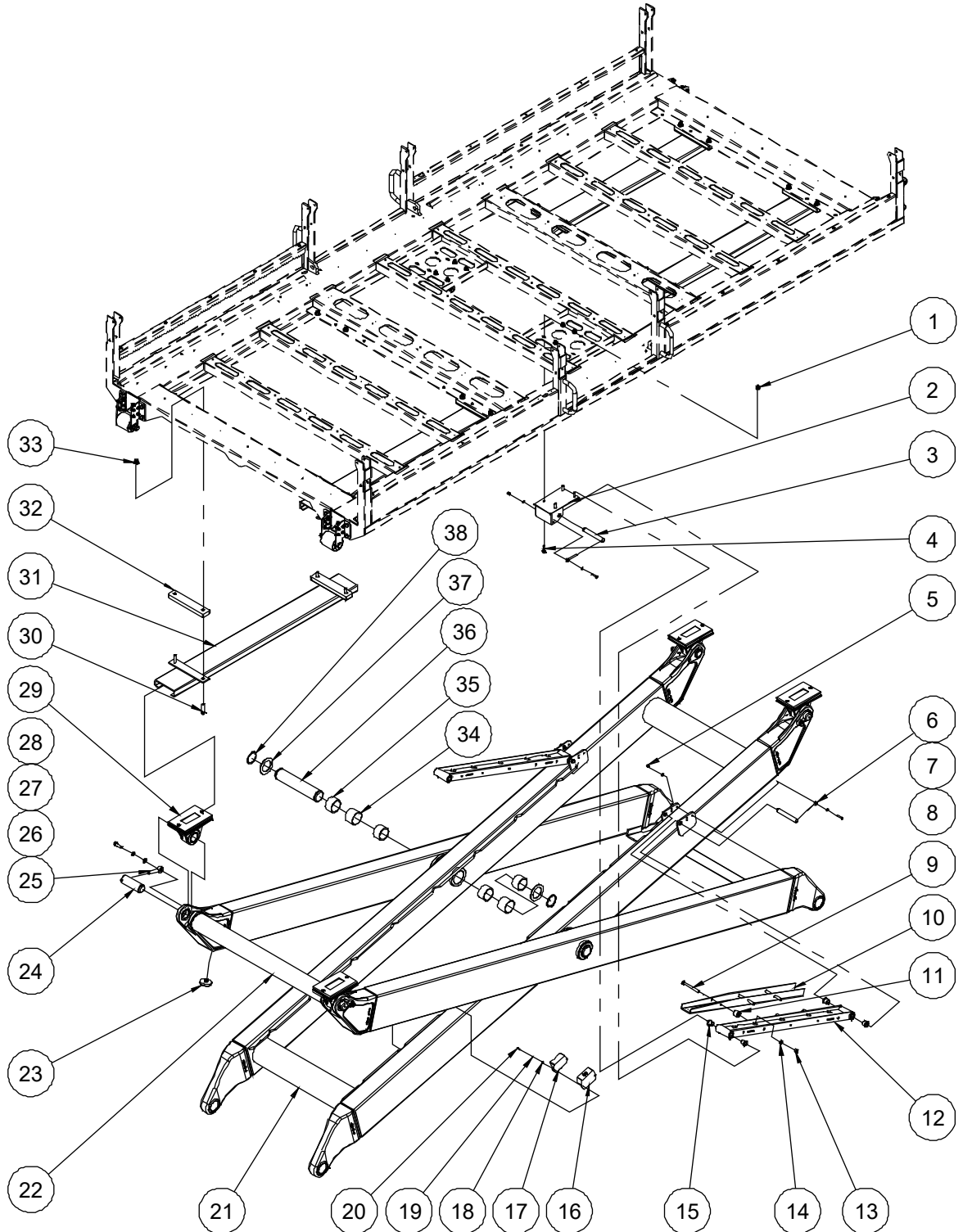
201.2 Scissor Assembly (JCPT1523RTL)



201.2 Scissor Assembly (JCPT1523RTL)

Item	Part No.	Description	Qty.
1		Scissor arm assembly 5 (refer to 202.1)	1
2	00000423	8813-455555 Bearing	8
3	00003841	896B-45×120.5 Pin	8
4	00002464	8902-12085 Pin	10
5	00000814	Washer GB/T 97.1 12	10
6	00000815	Washer GB/T 93 12	10
7	00001055	Bolt GB/T 5783 M12×40	10
8		Scissor arm assembly 1 (refer to 204.1)	1
9		Safety arm assembly (refer to 205.1)	1
10		Lower lift cylinder assembly (without seal kit) (refer to 401.1)	1
11		Scissor arm assembly 2-3 (JCPT1523RTL) (refer to 208.1)	1
12	00000578	896-45×373.5 Pin	2

202.1 Scissor Arm Assembly 5



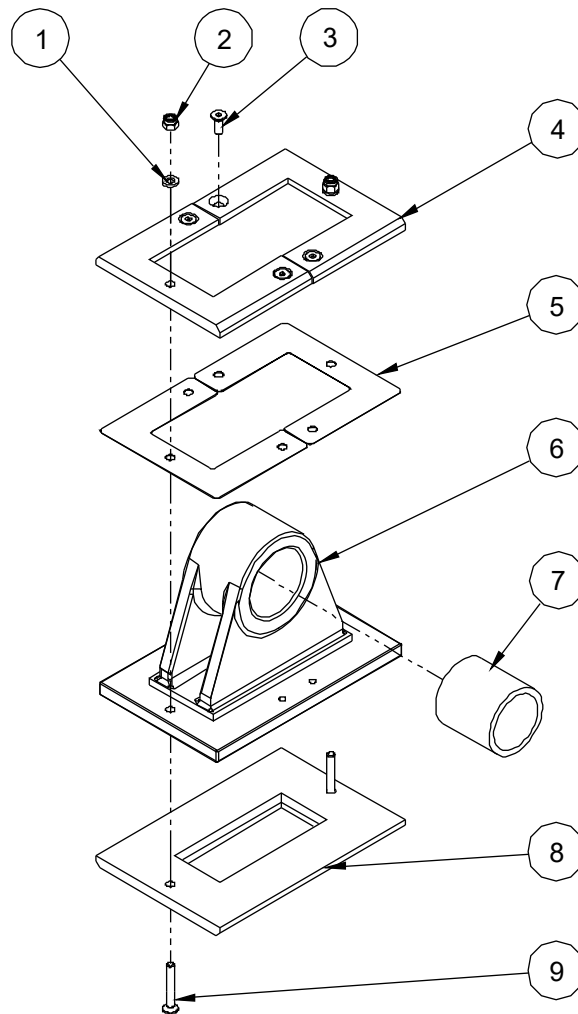
202.1 Scissor Arm Assembly 5

Item	Part No.	Description	Qty.
1	00002572	Nut GB/T 6183.1 M10	8
2	10004313	Link anchor platform weldment	2
3	10028382	Pin	4
4	00000683	Bolt GB/T 5783 M10×30	8
5	00001033	Nut GB/T 6182 M6	4
6	00000218	8902-06065 Pin	4
7	00000620	Washer GB/T 97.1 6	8
8	00000775	Bolt GB/T 5783 M6×30	4
9	00001037	Bolt GB/T 5782 M10×110	3
10	10003253	Cable bridge	1
11	10003255	Spacer	3
12	10003482	Centering link weldment	2
13	00000623	Nut GB/T 6182 M10	3
14	00000615	Washer GB/T 97.1 10	3
15	00000251	8822-20215 Bearing	8
16	10000251	Sensor cover (JCPT1823RTL)	1
17	00000695	Angle sensor (JCPT1823RTL)	1
18	00000778	Washer GB/T 97.1 4 (JCPT1823RTL)	2
19	00000779	Washer GB/T 93 4 (JCPT1823RTL)	2
20	00001054	Screw GB/T 70.1 M4×12 (JCPT1823RTL)	2
21	10018817	Inner arm V	1
22	10018819	Outer arm V	1
23	10018819	Block	4
24	00003841	896B-45×120.5 Pin	4
25	00002464	8902-12085 Pin	4
26	00000814	Washer GB/T 97.1 12	4
27	00000815	Washer GB/T 93 12	4
28	00001055	Bolt GB/T 5783 M12×40	4
29		Slider assembly (refer to 203.1)	4

202.1 Scissor Arm Assembly 5

Item	Part No.	Description	Qty.
30	00001856	Bolt GB/T 5783 M12×50 (JCPT1523RTL)	16
	00002059	Bolt GB/T 5783 M12×30 (JCPT1823RTL)	16
31	10004310	Slider channel	4
32	10005037	Shim plate (JCPT1523RTL)	8
33	00002576	Nut GB/T 6183.1 M12	16
34	10003252	Spacer sleeve	4
35	00000430	8813-607040 Bearing	8
36	00000087	899-60268 Pin	2
37	10003250	Washer	4
38	00000953	Circlips GB/T 894.1-60	4

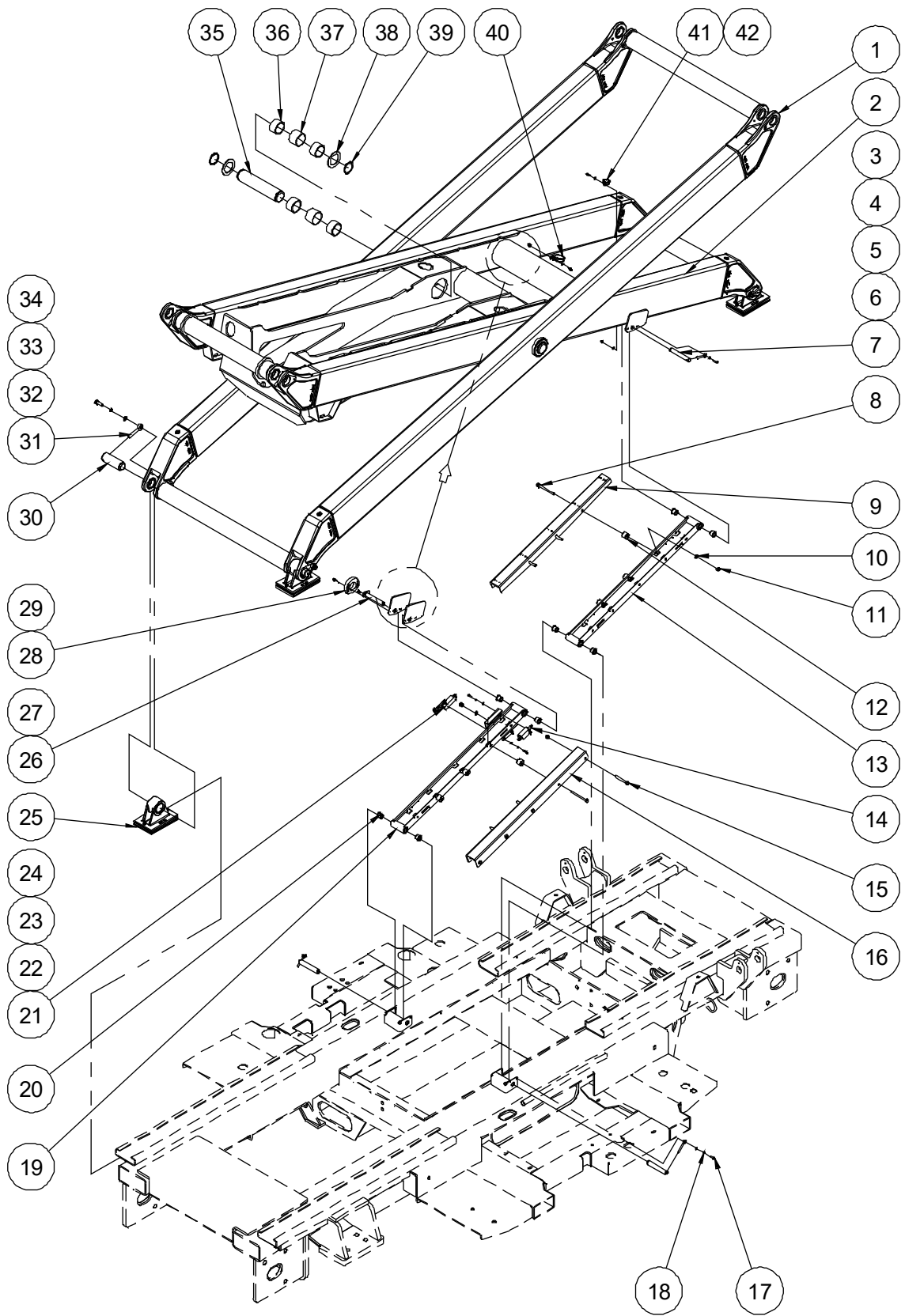
203.1 Slider Assembly



203.1 Slider Assembly

Item	Part No.	Description	Qty.
1	00000620	Washer GB/T 97.1 6	2
2	00001033	Nut GB/T 6182 M6	2
3	00000830	Screw GB/T 70.3 M6×16	4
4	10003118	Upper slider	2
5	10003120	Adjusting plate	2
6	10003117	Slider foot weldment	1
7	00000423	8813-455555 Bearing	1
8	10003119	Lower slider	1
9	00000834	Screw GB/T 70.3 M6×40	2

204.1 Scissor Arm Assembly 1



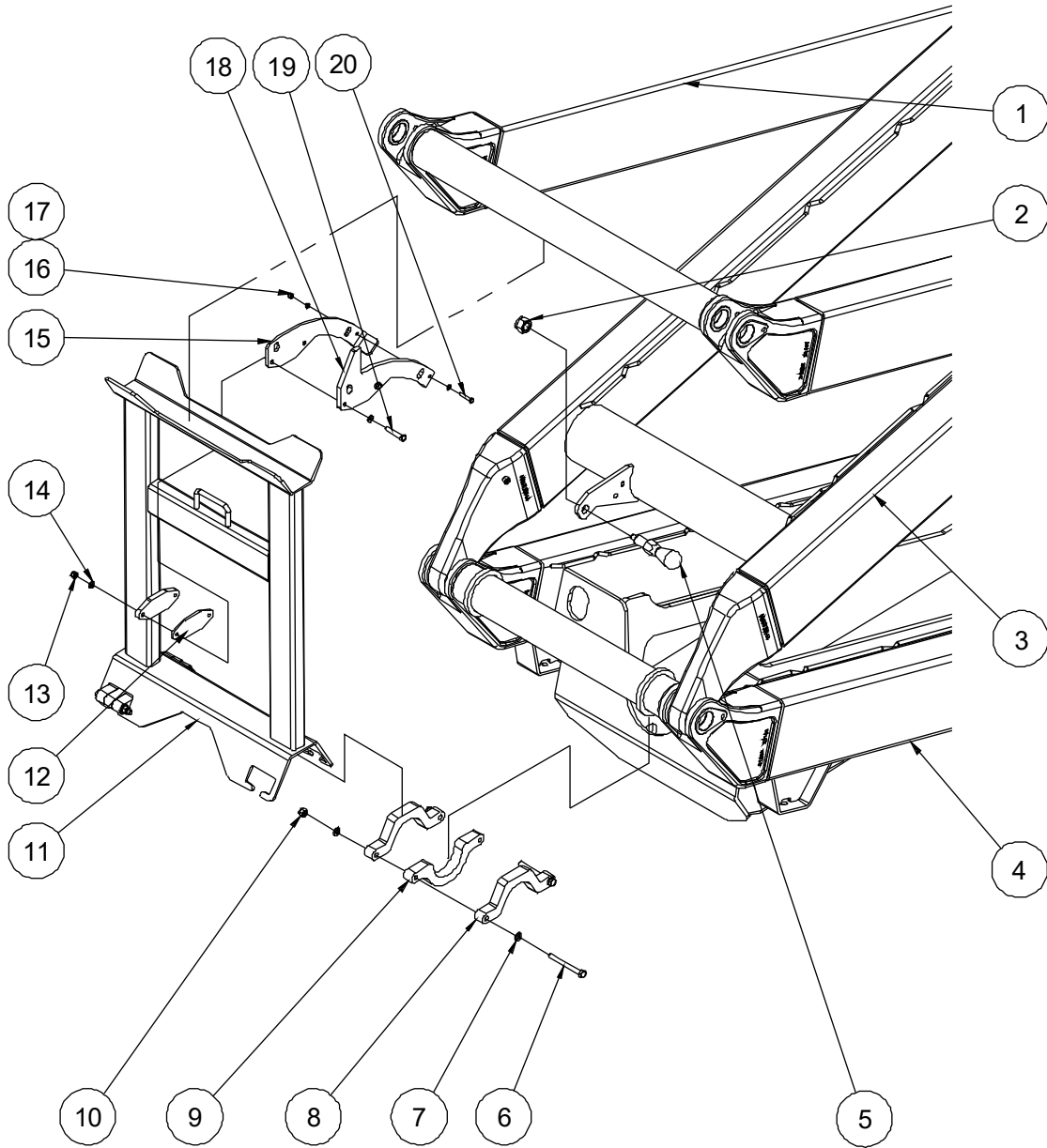
204.1 Scissor Arm Assembly 1

Item	Part No.	Description	Qty.
1	10024943	Outer arm I	1
2	10024941	Inner arm I	1
3	00001033	Nut GB/T 6182 M6	1
4	00000775	Bolt GB/T 5783 M6×30	1
5	00000620	Washer GB/T 97.1 6	8
6	00000218	8902-06065 Pin	3
7	10028382	Pin (JCPT1823RTL)	3
	10028382	Pin (JCPT1523RTL)	4
8	00001037	Bolt GB/T 5782 M10×110	6
9	10003253	Cable bridge	1
10	00000615	Washer GB/T 97.1 10	6
11	00000623	Nut GB/T 6182 M10	8
12	10003255	Spacer	6
13	10003481	Centering link weldment	1
14	00002419	Limit switch (JCPT1823RTL)	1
15	00001027	Bolt GB/T 5782 M10×80	2
16	10003254	Cable bridge	1
17	00000818	Bolt GB/T 5783 M6×16	2
18	00000621	Washer GB/T 93 6	4
19	10025320	Centering link weldment	1
20	00000251	8822-20215 Bearing	4
21	00002354	Limit switch	1
22	00001246	Screw GB/T 70.1 M5×16 (JCPT1823RTL)	8
	00001246	Screw GB/T 70.1 M5×16 (JCPT1523RTL)	4
23	00000606	Washer GB/T 93 5 (JCPT1823RTL)	8
	00000606	Washer GB/T 93 5 (JCPT1523RTL)	4
24	00000605	Washer GB/T 97.1 5 (JCPT1823RTL)	8
	00000605	Washer GB/T 97.1 5 (JCPT1523RTL)	4
25	10003102	Slider assembly	4

204.1 Scissor Arm Assembly 1

Item	Part No.	Description	Qty.
26	10025392	Pin (JCPT1823RTL)	1
27	00000829	Screw GB/T 70.3 M6×12	2
28	10025317	Plate, Limit (JCPT1823RTL)	1
29	00000774	Screw GB/T 70.1 M6×20	2
30	00003841	896B-45×120.5 Pin	4
31	00002464	8902-12085 Pin	4
32	00000814	Washer GB/T 97.1 12	4
33	00000815	Washer GB/T 93 12	4
34	00001055	Bolt GB/T 5783 M12×40	4
35	00000087	899-60268 Pin	2
36	00000430	8813-607040 Bearing	8
37	10003252	Spacer sleeve	4
38	10003250	Washer	4
39	00000953	Circlips GB/T 894.1-60	4
40	10005186	Clamp	1
41	10005613	Clamp	1
42	00002029	Screw GB/T 70.1 M6×12	2

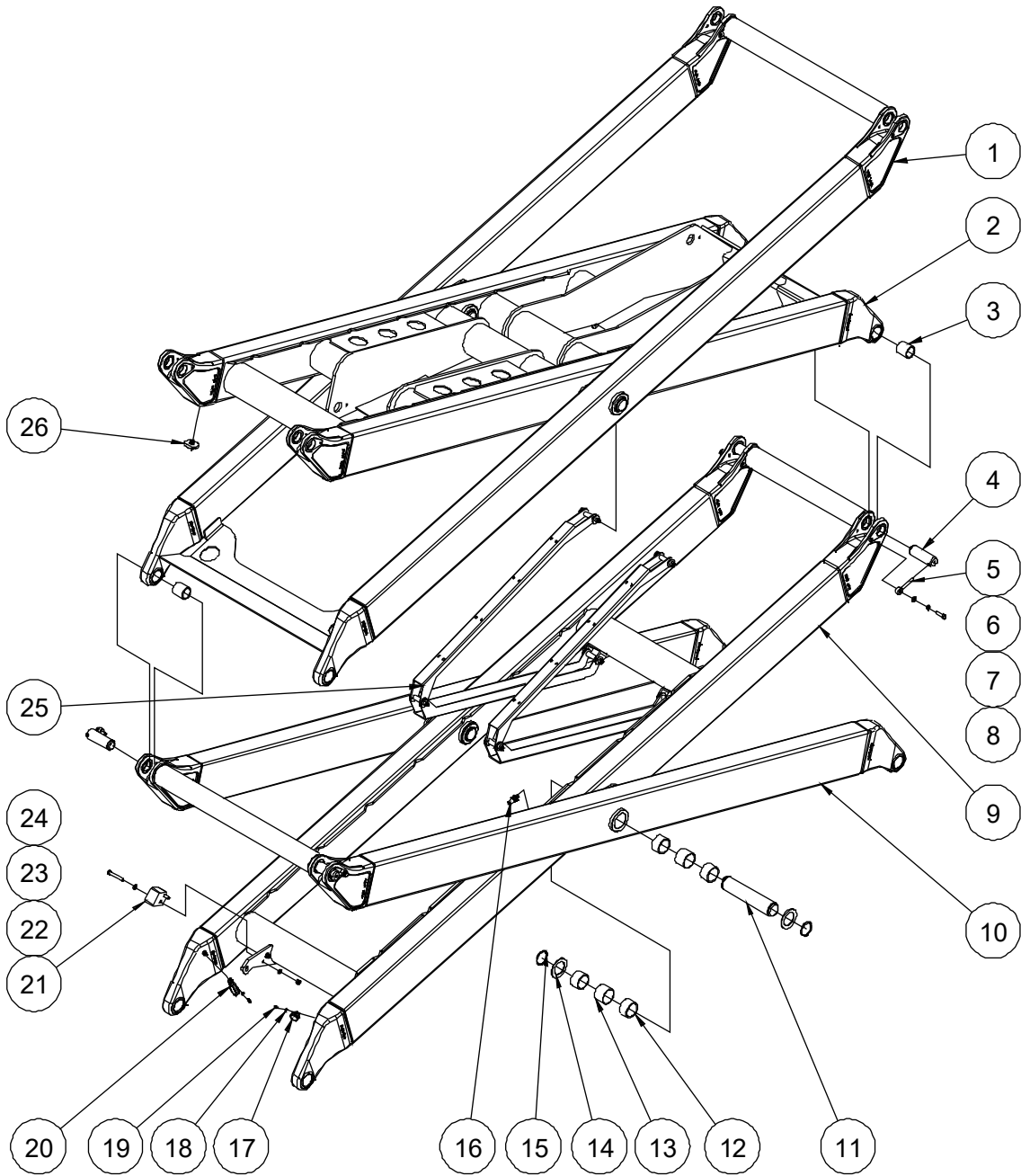
205.1 Safety Arm Assembly



205.1 Safety Arm Assembly

Item	Part No.	Description	Qty.
1	10018809	Outer arm II	1
2	00003604	Nut GB/T 889.2 M20×1.5	1
3	10024942	Inner arm II	1
4	10024941	Inner arm I	1
5	10003256	Lock pin assembly	1
--	10003257	Housing	1
--	10003258	Spring	1
--	10003259	Lock pin	1
--	10003260	knob	1
6	00001040	Bolt GB/T 5782 M10×100	4
7	00000615	Washer GB/T 97.1 10	8
8	10018841	Wear pad	4
9	10018840	Wear pad	2
10	00000623	Nut GB/T 6182 M10	4
11	10018834	Safety arm weldment	1
12	10026595	Washer	1
13	00001163	Nut GB/T 6182 M8	2
14	00000608	Washer GB/T 97.1 8	4
15	10018838	Safety arm lock plate	1
16	00001033	Nut GB/T 6182 M6	1
17	00000620	Washer GB/T 97.1 6	2
18	10018839	Slide surface	1
19	00003607	Bolt GB/T 5783 M8×50	2
20	00002895	Bolt GB/T 5783 M6×35	1

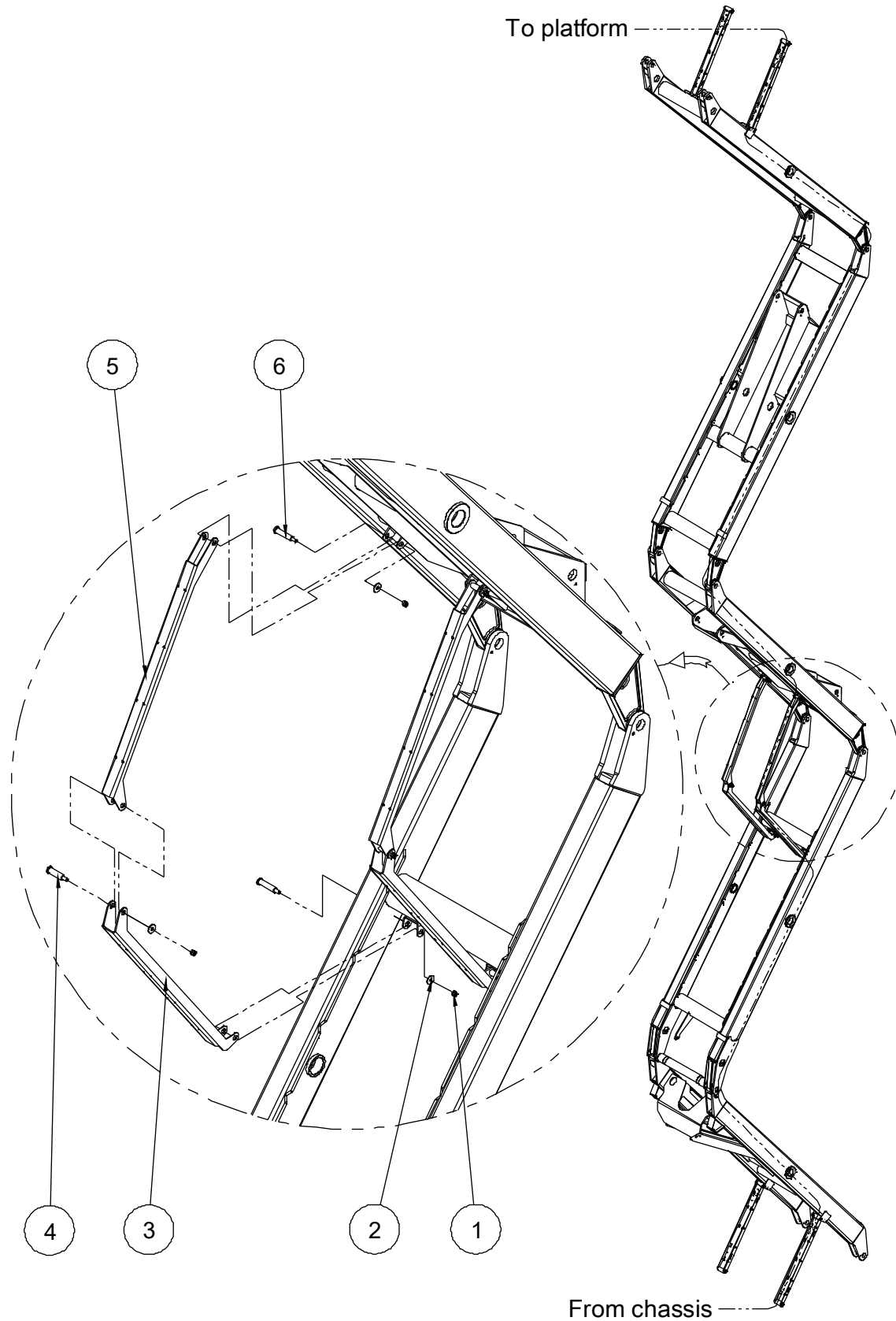
206.1 Scissor Arm Assembly 2-3 (JCPT1823RTL)



206.1 Scissor Arm Assembly 2-3 (JCPT1823RTL)

Item	Part No.	Description	Qty.
1	10018816	Outer arm III	1
2	10025387	Inner arm III	1
3	00000423	8813-455555 Bearing	4
4	00003841	896B-45×120.5 Pin	4
5	00002464	8902-12085 Pin	4
6	00000814	Washer GB/T 97.1 12	4
7	00000815	Washer GB/T 93 12	4
8	00001055	Bolt GB/T 5783 M12×40	4
9	10024942	Inner arm II	1
10	10018809	Outer arm II	1
11	00000087	899-60268 Pin	4
12	00000430	8813-607040 Bearing	16
13	10003252	Spacer sleeve	8
14	10003250	Washer	8
15	00000953	Circlips GB/T 894.1-60	8
16	00002137	Straight fitting	2
17	10005613	Clamp	1
18	00000620	Washer GB/T 97.1 6	2
19	00002029	Screw GB/T 70.1 M6×12	2
20	10005186	Clamp	1
21	10018850	Block	1
22	00001027	Bolt GB/T 5782 M10×80	2
23	00000615	Washer GB/T 97.1 10	4
24	00000623	Nut GB/T 6182 M10	2
25		Cable routing device assembly (refer to 207.1)	2
26	10018822	Block	/
	10026739	Block	/

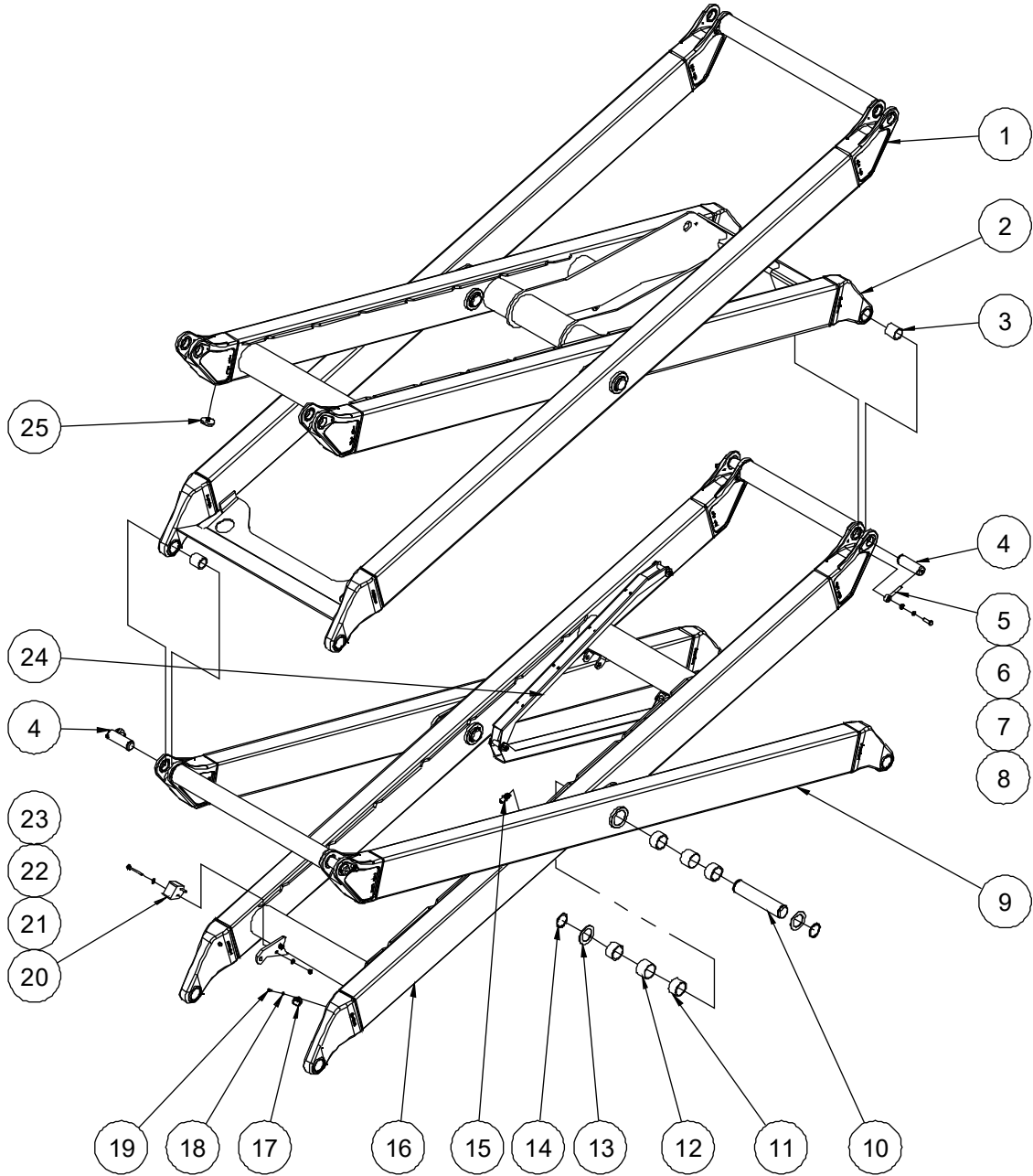
207.1 Cable Routing Device Assembly



207.1 Cable Routing Device Assembly

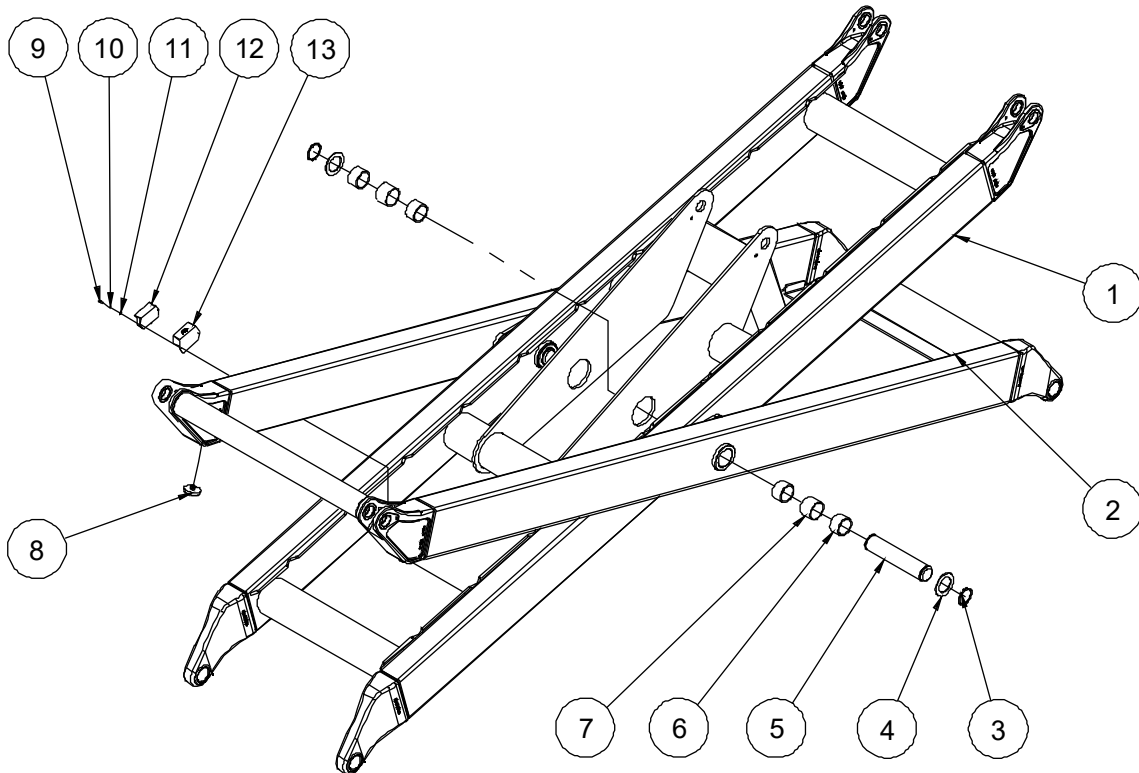
Item	Part No.	Description	Qty.
1	00001249	Nut GB/T 6182 M12	3
2	00002601	Washer GB/T 96.1 12	3
3	10003462	Cable bridge	1
4	10003464	Pin	1
5	10003461	Cable bridge	1
6	10003463	Pin	2

208.1 Scissor Arm Assembly 2-3 (JCPT1523RTL)



208.1 Scissor Arm Assembly 2-3 (JCPT1523RTL)

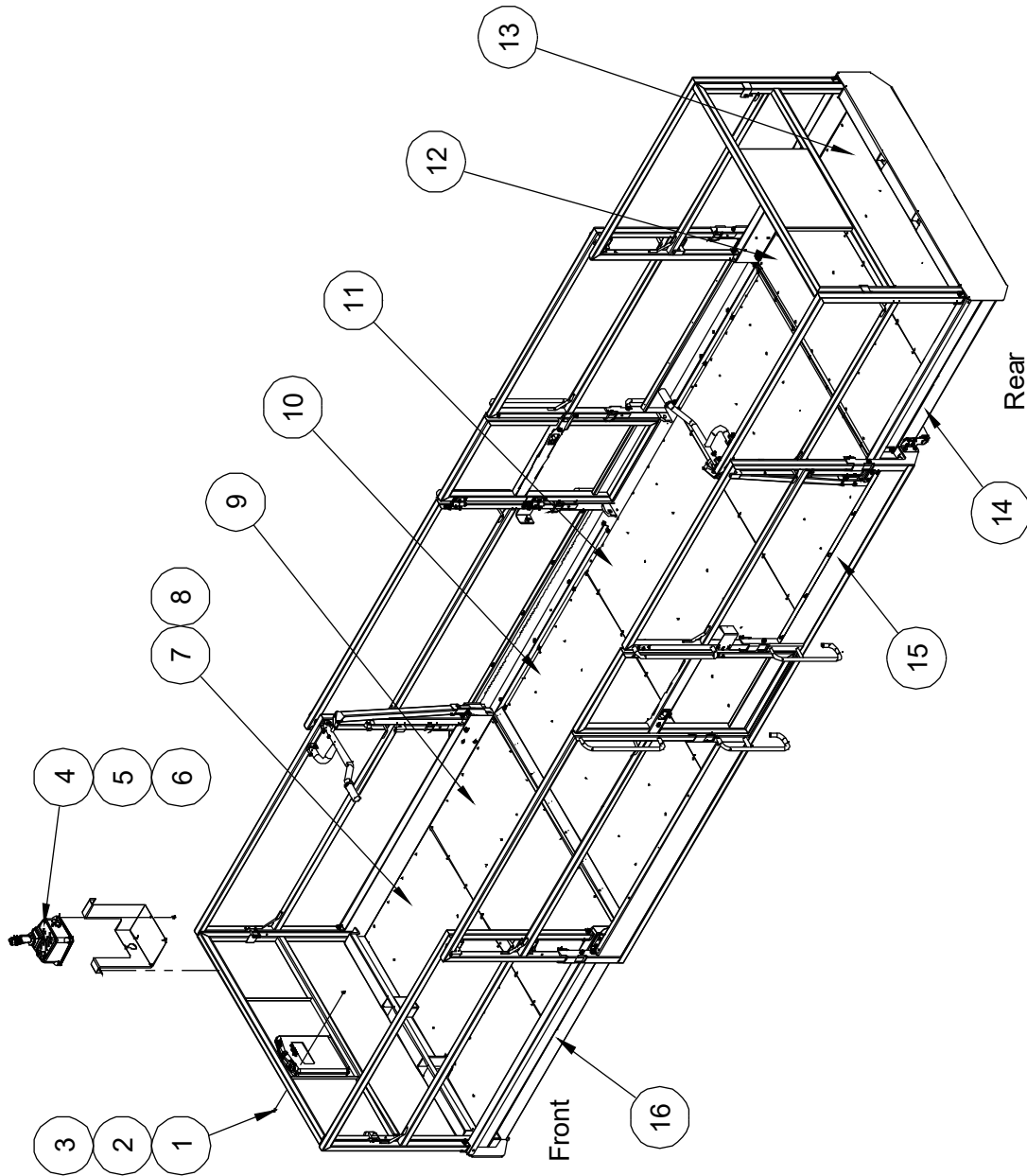
Item	Part No.	Description	Qty.
1	10018816	Outer arm III	1
2	10025489	Inner arm III	1
3	00000423	8813-455555 Bearing	4
4	00003841	896B-45×120.5 Pin	4
5	00002464	8902-12085 Pin	4
6	00000815	Washer GB/T 93 12	4
7	00000814	Washer GB/T 97.1 12	4
8	00001055	Bolt GB/T 5783 M12×40	4
9	10018809	Outer arm II	1
10	00000087	899-60268 Pin	4
11	00000430	8813-607040 Bearing	16
12	10003252	Spacer sleeve	8
13	10003250	Washer	8
14	00000953	Circlips GB/T 894.1-60	8
15	00002137	Straight fitting	2
16	10024942	Outer arm II	1
17	10005613	Clamp	1
18	00000620	Washer GB/T 97.1 6	1
19	00002029	Screw GB/T 70.1 M6×12	1
20	10018850	Block	1
21	00001027	Bolt GB/T 5782 M10×80	2
22	00000623	Nut GB/T 6182 M10	2
23	00000615	Washer GB/T 97.1 10	4
24		Cable routing device assembly (refer to 207.1)	1
25	10018822	Block	/
	10026739	Block	/

209.1 Scissor Arm Assembly 4 (JCPT1823RTL)**209.1 Scissor Arm Assembly 4 (JCPT1823RTL)**

Item	Part No.	Description	Qty.
1	10025389	Inner arm IV	1
2	10018816	Outer arm IV	1
3	00000953	Circlips GB/T 894.1-60	4
4	10003250	Washer	4
5	00000087	899-60268 Pin	2
6	00000430	8813-607040 Bearing	8
7	10003252	Spacer sleeve	4
8	10018822	Block	/
	10026739	Block	/
9	00001054	Screw GB/T 70.1 M4×12	2
10	00000779	Washer GB/T 93 4	2
11	00000778	Washer GB/T 97.1 4	2
12	00000695	Angle sensor	1
13	10000251	Sensor cover	1

Section 3 Platform

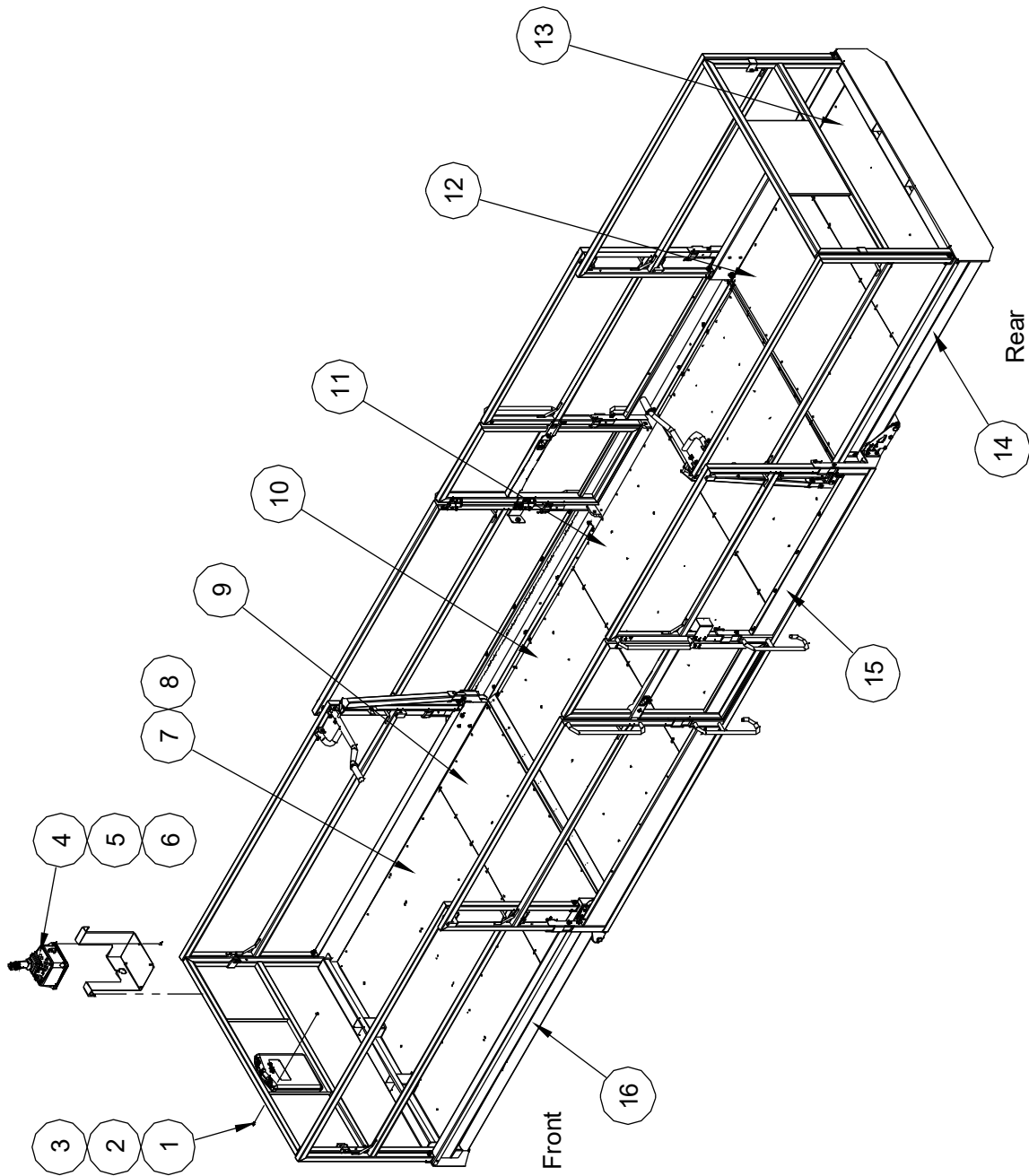
301.1 Platform Assembly (Standard Platform)



301.1 Platform Assembly (Standard Platform)

Item	Part No.	Description	Qty.
1	00002523	Screw GB/T 973 M5×16	4
2	50000555	Manual box	1
3	00002573	Nut GB/T 6183.1 M5	4
4	00004354	Platform control box assembly (refer to 308.1)	1
5	10004318	Platform control box mount bracket	1
	10020756	Platform control box mount bracket (with cover)	1
6	00001986	Screw GB/T 818 M6×16 - H	4
7	10019079	Platform extension deck plate 2 (Front)	1
8	00001991	Rivet GB/T 12618.4 4.8×16	214
9	10019078	Platform extension deck plate 1 (Front)	1
10	10019074	Main platform deck plate 2	2
11	10019073	Main platform deck plate 1	1
12	10019082	Platform extension deck plate 1 (Rear)	1
13	10019083	Platform extension deck plate 2 (Rear)	1
14		Rear platform extension assembly (refer to 306.1)	1
15		Main platform assembly (refer to 302.1)	1
16		Front platform extension assembly (refer to 305.1)	1

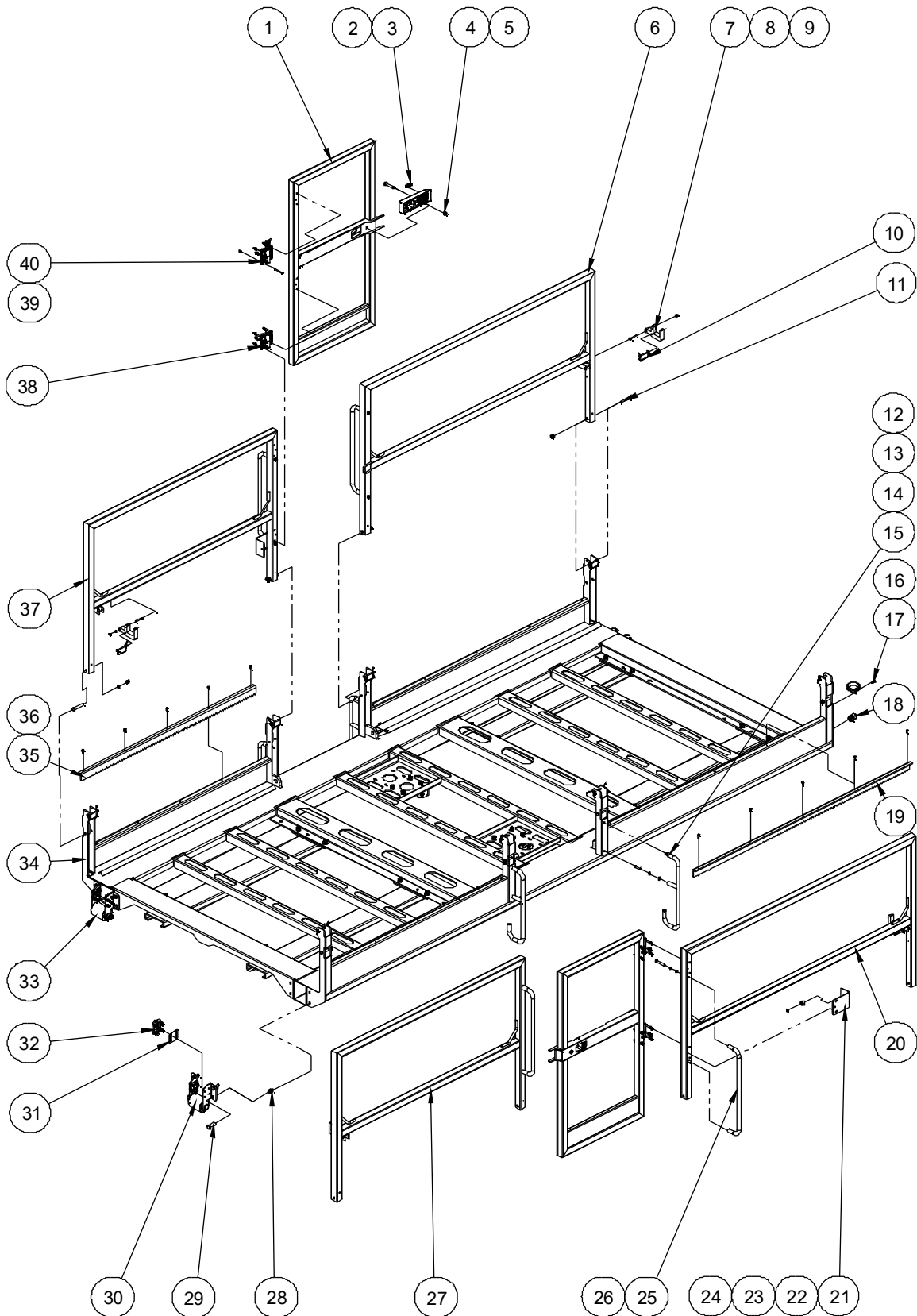
301.2 Platform Assembly (Extended Platform)



301.2 Platform Assembly (Extended Platform)

Item	Part No.	Description	Qty.
1	00002523	Screw GB/T 973 M5×16	4
2	50000555	Manual box	1
3	00002573	Nut GB/T 6183.1 M5	4
4	00004354	Platform control box assembly (refer to 308.1)	1
5	10004318	Platform control box mount bracket	1
	10020756	Platform control box mount bracket (with cover)	1
6	00001986	Screw GB/T 818 M6×16 - H	4
7	10019954	Platform extension deck plate 2 (Front)	1
8	00001991	Rivet GB/T 12618.4 4.8×16	226
9	10019082	Platform extension deck plate 1 (Front)	1
10	10019074	Main platform deck plate 2	2
11	10019073	Main platform deck plate 1	1
12	10019951	Platform extension deck plate 1 (Rear)	1
13	10019952	Platform extension deck plate 2 (Rear)	1
14		Rear platform extension assembly (refer to 306.2)	1
15		Main platform assembly (refer to 302.2)	1
16		Front platform extension assembly (refer to 305.2)	1

302.1 Main Platform Assembly (Standard Platform)



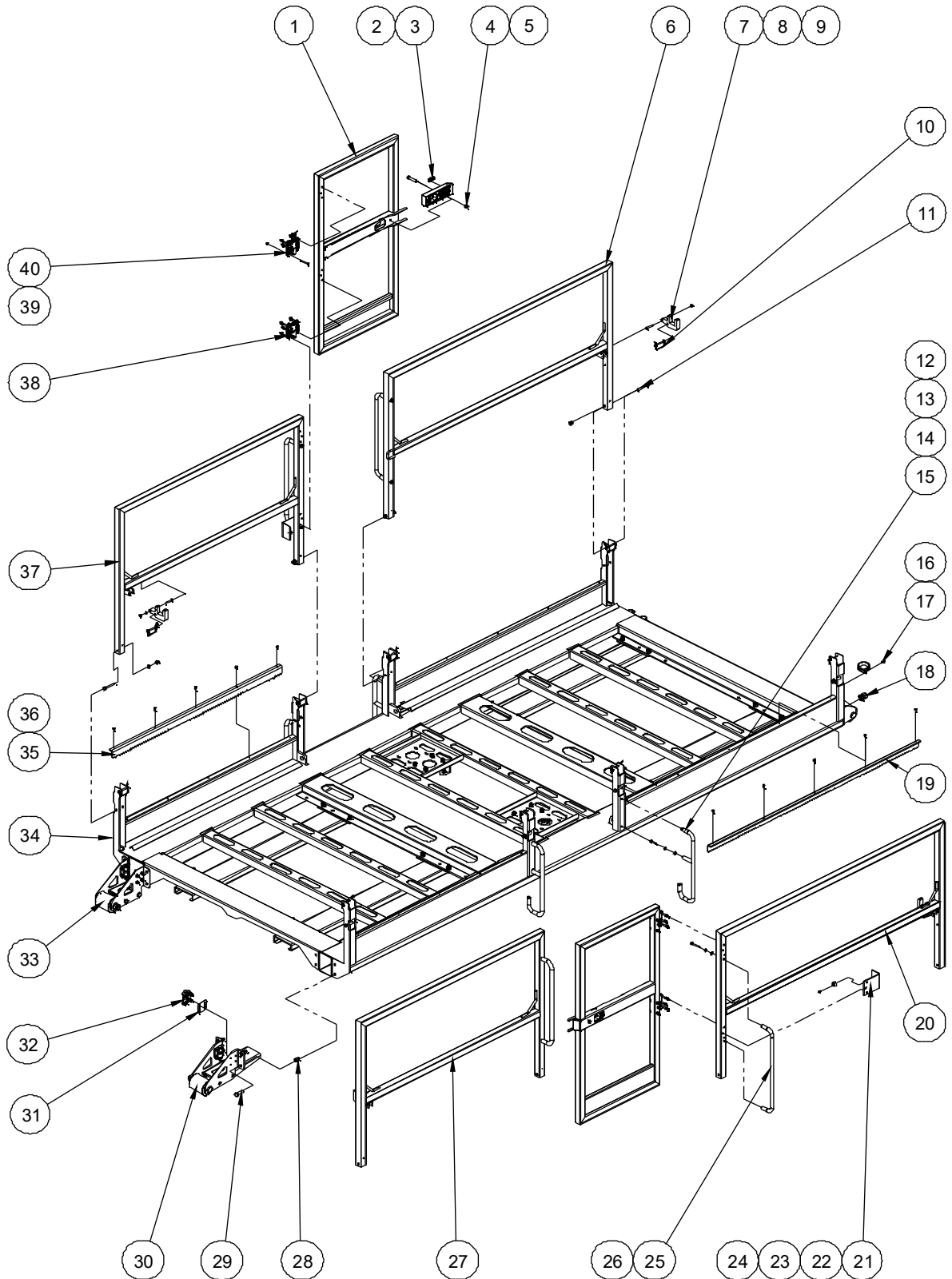
302.1 Main Platform Assembly (Standard Platform)

Item	Part No.	Description	Qty.
1	10016143	Entry gate	2
2	00002547	Bolt GB/T 16674 M10×55	2
3	10000367	Spring	2
4	10000331	Latch handle	2
5	00002572	Nut GB/T 6183.1 M10	10
6	10004221	Left main rail	1
7	50001717	Rail spacer	4
8	00002574	Nut GB/T 6183.1 M6	28
9	00002312	Bolt GB/T 5782 M6×45	4
10	10004174	Inserted pin	4
11	00003956	Bolt GB/T 16674 M10×70	8
12	10005035	Hand rail (JCPT1523RTL)	4
	10004126	Hand rail (JCPT1823RTL)	4
13	00002560	Screw GB/T 70.1 M8×30	8
14	00000608	Washer GB/T 97.1 8	16
15	00000609	Washer GB/T 93 8	16
16	00001231	Screw GB/T 818 M6×14 - H	1
17	10005186	Clamp	1
18	00001828	Water-proof joint M20	1
19	10004150	Extension deck lock tooth	1
20	10004227	Right main rail	1
21	10004316	Lock plate	2
22	10000376	Bumper	2
23	00002319	Screw GB/T 818 M5×10 - H	2
24	00002886	Bolt GB/T 16674 M6×60	6
25	10004190	Hand rail	4
26	00001985	Bolt GB/T 5782 M8×55	8
27	10004214	Right main rail	1
28	00002576	Nut GB/T 6183.1 M12	16

302.1 Main Platform Assembly (Standard Platform)

Item	Part No.	Description	Qty.
29	00002046	Bolt GB/T 5783 M12×35	16
30		Support roller assembly (refer to 303.1)	2
31	10004111	Adjusting plate	4
32		Side roller assembly (refer to 304.1)	8
33		Support roller assembly (refer to 303.1)	2
34	10016138	Main deck weldment	1
35	10004125	Extension deck lock tooth	1
36	00002865	Bolt QC/T 340 M6×14	10
37	10004208	Left main rail	1
38	10000302	Hinge B	2
39	10000299	Hinge A	2
40	00002569	Bolt GB/T 16674 M6×55	18

302.2 Main Platform Assembly (Extended Platform)

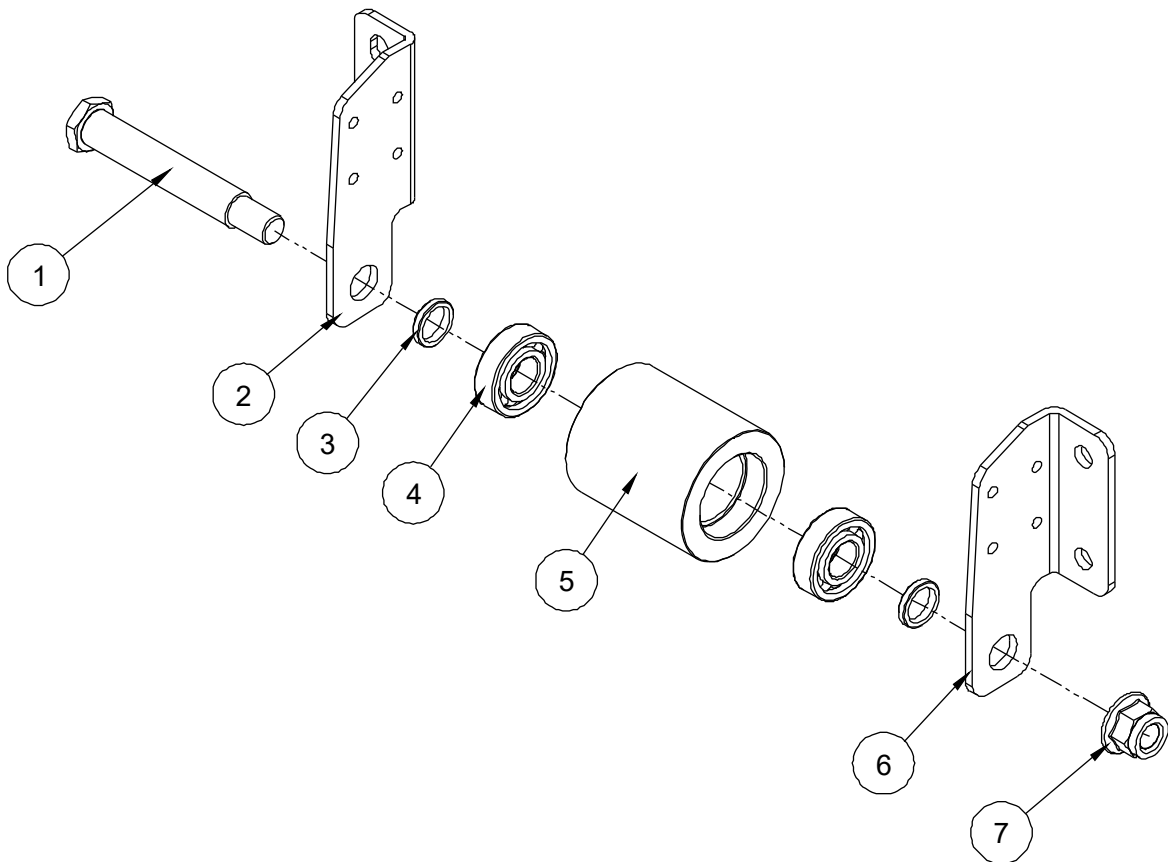


302.2 Main Platform Assembly (Extended Platform)

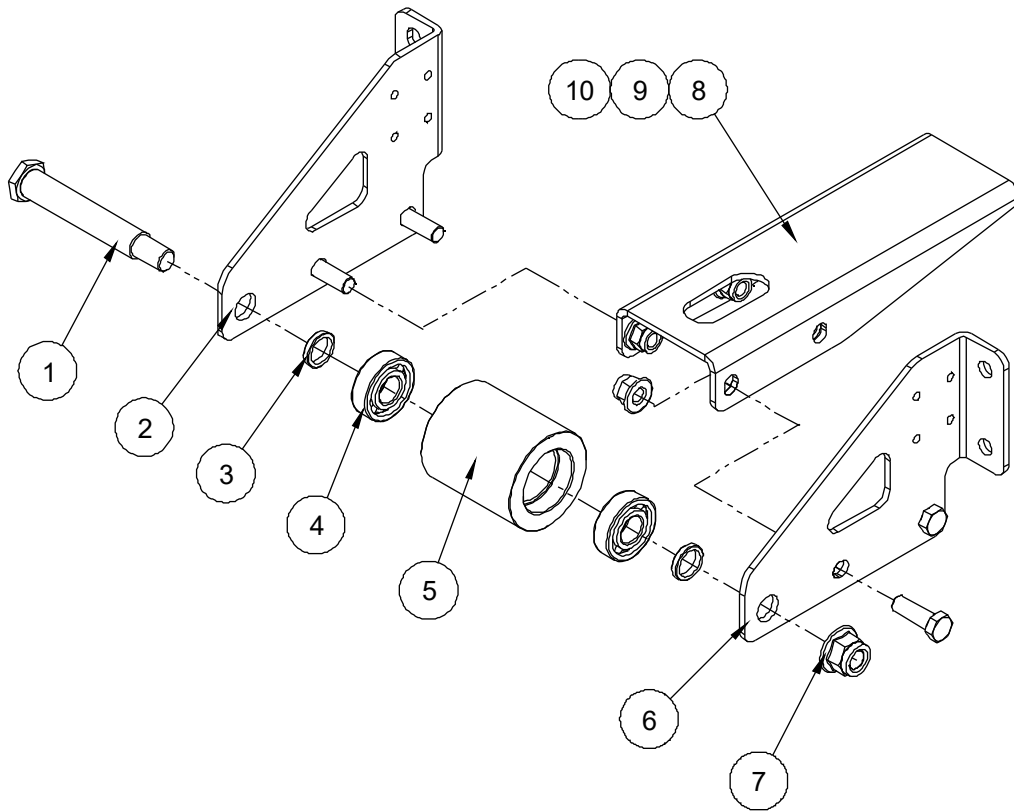
Item	Part No.	Description	Qty.
1	10016143	Entry gate	2
2	00002547	Bolt GB/T 16674 M10×55	2
3	10000367	Spring	2
4	10000331	Latch handle	2
5	00002572	Nut GB/T 6183.1 M10	10
6	10004221	Left main rail	1
7	50001717	Rail spacer	4
8	00002574	Nut GB/T 6183.1 M6	28
9	00002312	Bolt GB/T 5782 M6×45	4
10	10004174	Inserted pin	4
11	00003956	Bolt GB/T 16674 M10×70	8
12	10005035	Hand rail (JCPT1523RTL)	4
	10004126	Hand rail (JCPT1823RTL)	4
13	00002560	Screw GB/T 70.1 M8×30	8
14	00000608	Washer GB/T 97.1 8	16
15	00000609	Washer GB/T 93 8	16
16	00001231	Screw GB/T 818 M6×14 - H	1
17	10005186	Clamp	1
18	00001828	Water-proof joint M20	1
19	10004150	Extension deck lock tooth	1
20	10004227	Right main rail	1
21	10004316	Lock plate	2
22	10000376	Bumper	2
23	00002319	Screw GB/T 818 M5×10 - H	2
24	00002886	Bolt GB/T 16674 M6×60	6
25	10004190	Hand rail	4
26	00001985	Bolt GB/T 5782 M8×55	8
27	10004214	Right main rail	1
28	00002576	Nut GB/T 6183.1 M12	16

302.2 Main Platform Assembly (Extended Platform)

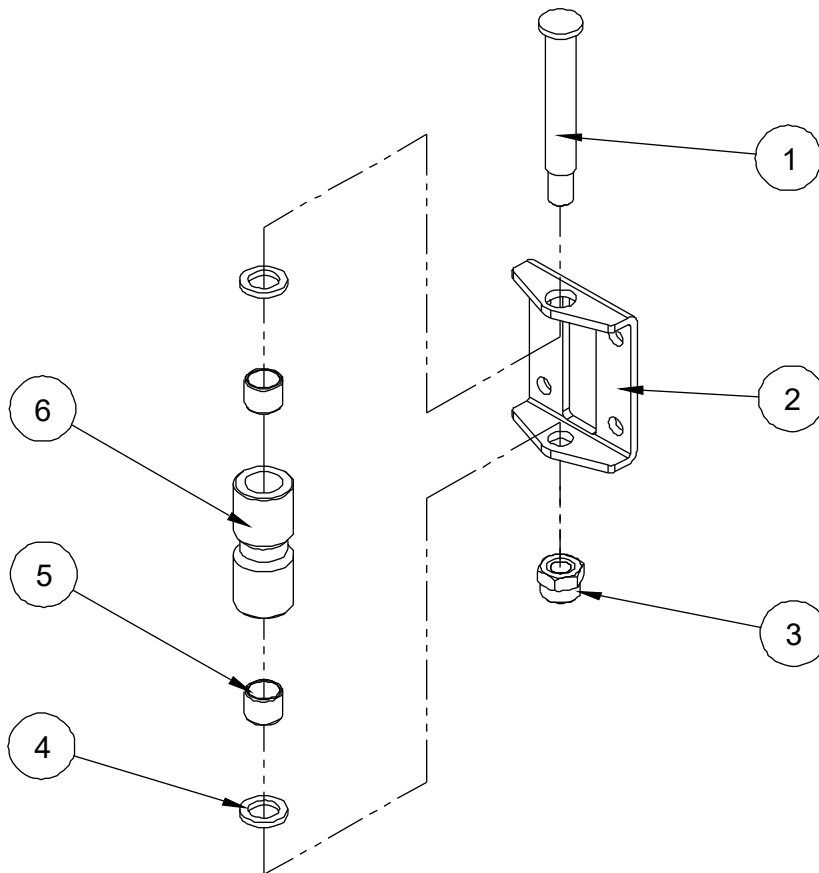
Item	Part No.	Description	Qty.
29	00002046	Bolt GB/T 5783 M12×35	16
30		Support roller assembly (refer to 303.2)	2
31	10004111	Adjusting plate	4
32		Side roller assembly (refer to 304.1)	8
33		Support roller assembly (refer to 303.2)	2
34	10016138	Main deck weldment	1
35	10004125	Extension deck lock tooth	1
36	00002865	Bolt QC/T 340 M6×14	10
37	10004208	Left main rail	1
38	10000302	Hinge B	2
39	10000299	Hinge A	2
40	00002569	Bolt GB/T 16674 M6×55	18

303.1 Support Roller Assembly (Standard Platform)**303.1 Support Roller Assembly (Standard Platform)**

Item	Part No.	Description	Qty.
1	10004140	Pin	1
2	10004149	Roller bracket 2	1
3	10004141	Shim	2
4	00001295	Bearing GB/T 276-1994 - 6204	2
5	10004142	Roller	1
6	10004148	Roller bracket	1
7	00002578	Nut GB/T 6183.1 M16	1

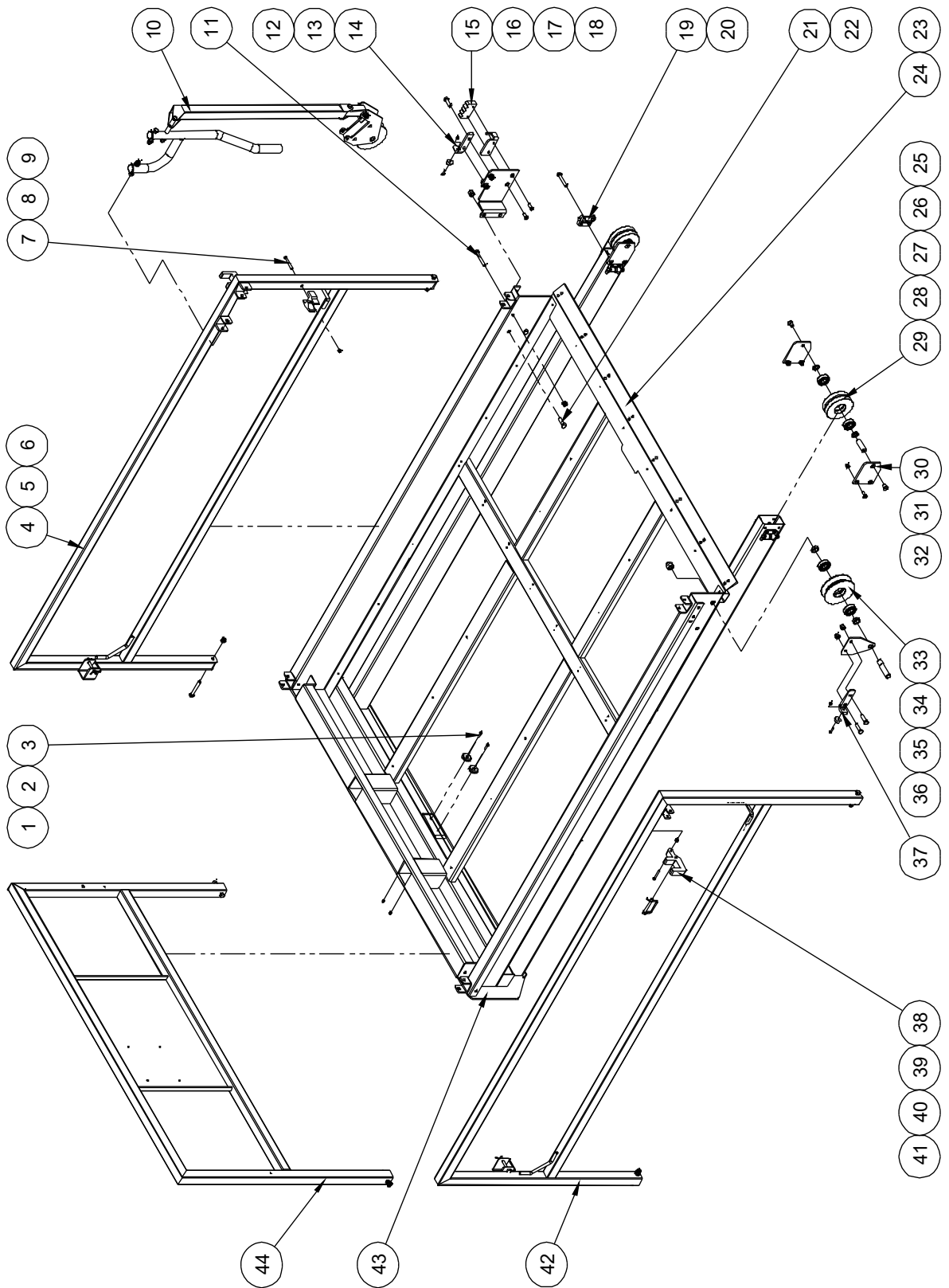
303.2 Support Roller Assembly (Extended Platform)**303.2 Support Roller Assembly (Extended Platform)**

Item	Part No.	Description	Qty.
1	10004140	Pin	1
2	10005506	Roller bracket 2	1
3	10004141	Shim	2
4	00001295	Bearing GB/T 276-1994 - 6204	2
5	10004142	Roller	1
6	10005505	Roller bracket	1
7	00002578	Nut GB/T 6183.1 M16	1
8	10005507	Base plate	1
9	00002046	Bolt GB/T 5783 M12×35	8
10	00002576	Nut GB/T 6183.1 M12	8

304.1 Side Roller Assembly**304.1 Side Roller Assembly**

Item	Part No.	Description	Qty.
1	10004145	Pin	1
2	10004144	Roller bracket	1
3	00002575	Nut GB/T 6183.1 M8	1
4	00005116	Washer GB/T 848 10	2
5	00000340	8812-101210 Bearing	2
6	10004146	Roller	1

305.1 Front Platform Extension Assembly (Standard Platform)



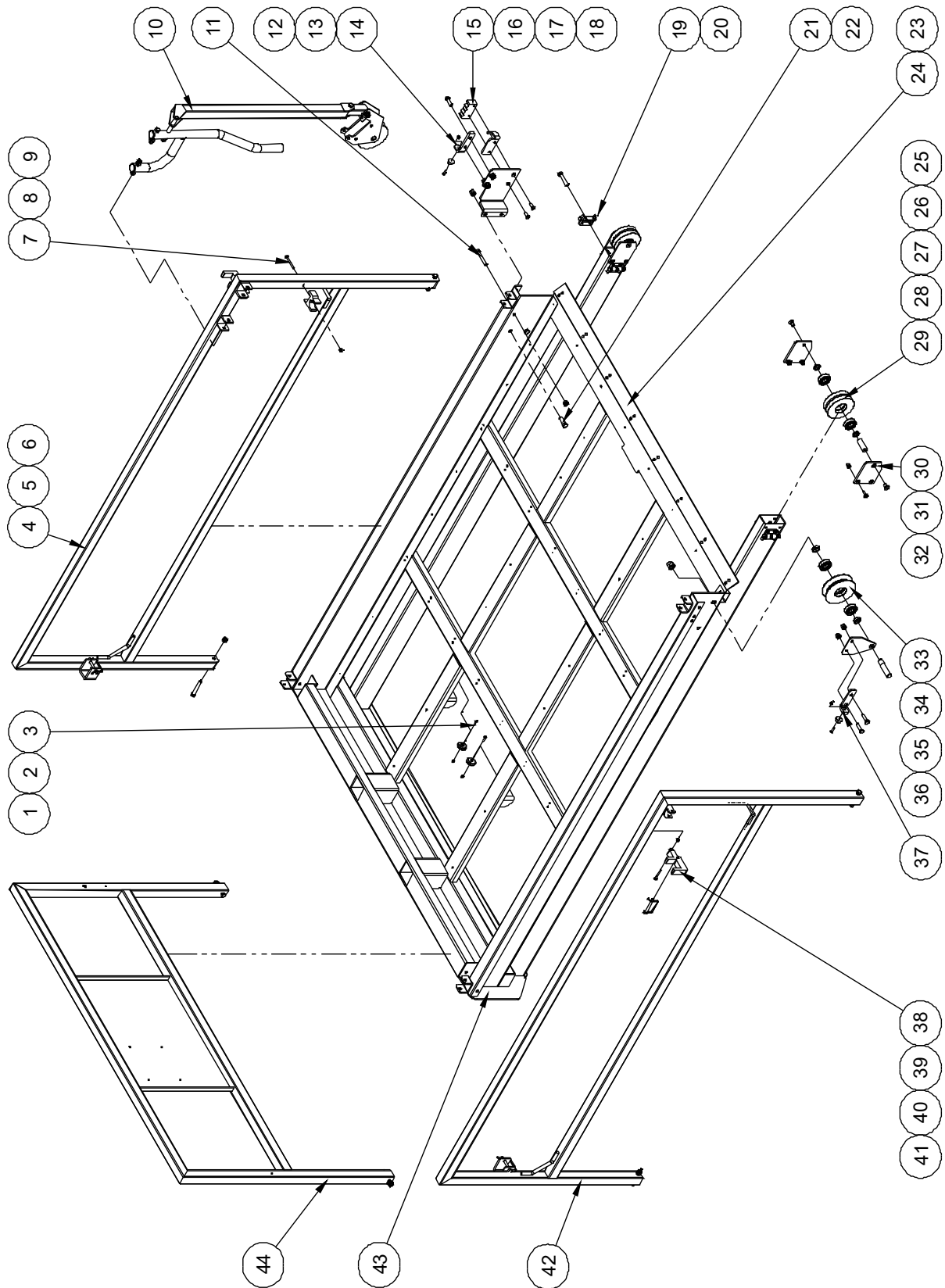
305.1 Front Platform Extension Assembly (Standard Platform)

Item	Part No.	Description	Qty.
1	00002573	Nut GB/T 6183.1 M5	4
2	10004200	Bumper	2
3	00001173	Screw GB/T 70.2 M5×20	4
4	10004233	Right extension rail	1
5	00003956	Bolt GB/T 16674 M10×70	6
6	00002572	Nut GB/T 6183.1 M10	13
7	00001066	Bolt GB/T 5782 M6×55	1
8	10004170	Catch clip	1
9	00001033	Nut GB/T 6182 M6	1
10		Platform locking device assembly (refer to 307.1)	1
11	00002512	Bolt GB/T 5782 M10×70	1
12	10000376	Bumper	2
13	00000684	Bolt GB/T 5783 M10×35	4
14	10004108	Locating plate 1	1
15	10004206	Lock tooth	1
16	10004205	Lock tooth seat	1
17	10004201	Lock seat	1
18	00000838	Screw GB/T 70.3 M8×25	2
19		Side roller assembly (refer to 304.1)	4
20	00002599	Bolt GB/T 5782 M6×65	8
21	00002059	Bolt GB/T 5783 M12×30	2
22	00002576	Nut GB/T 6183.1 M12	2
23	00001991	Rivet GB/T 12618.4 4.8×16	16
24	10000136	Rubber plate	1
25	00000846	Screw GB/T 70.3 M10×25	4
26	10004178	Washer	4
27	00001295	Bearing GB/T 276-1994 - 6204	6
28	10004177	Roller	2
29	10004176	Roller bracket 1	2

305.1 Front Platform Extension Assembly (Standard Platform)

Item	Part No.	Description	Qty.
30	10004175	Roller bracket 2	2
31	10004179	Pin	2
32	00002575	Nut GB/T 6183.1 M8	8
33	10004202	Roller	1
34	10004207	Washer	2
35	10021655	Roller bracket	1
36	10021656	Pin	1
37	10004180	Locating plate 2	1
38	50001717	Rail spacer	2
39	10004174	Inserted pin	2
40	00002312	Bolt GB/T 5782 M6×45	2
41	00002574	Nut GB/T 6183.1 M6	10
42	10004243	Left extension rail	1
43	10019076	Extension deck weldment	1
44	10004282	Front rail	1

305.2 Front Platform Extension Assembly (Extended Platform)



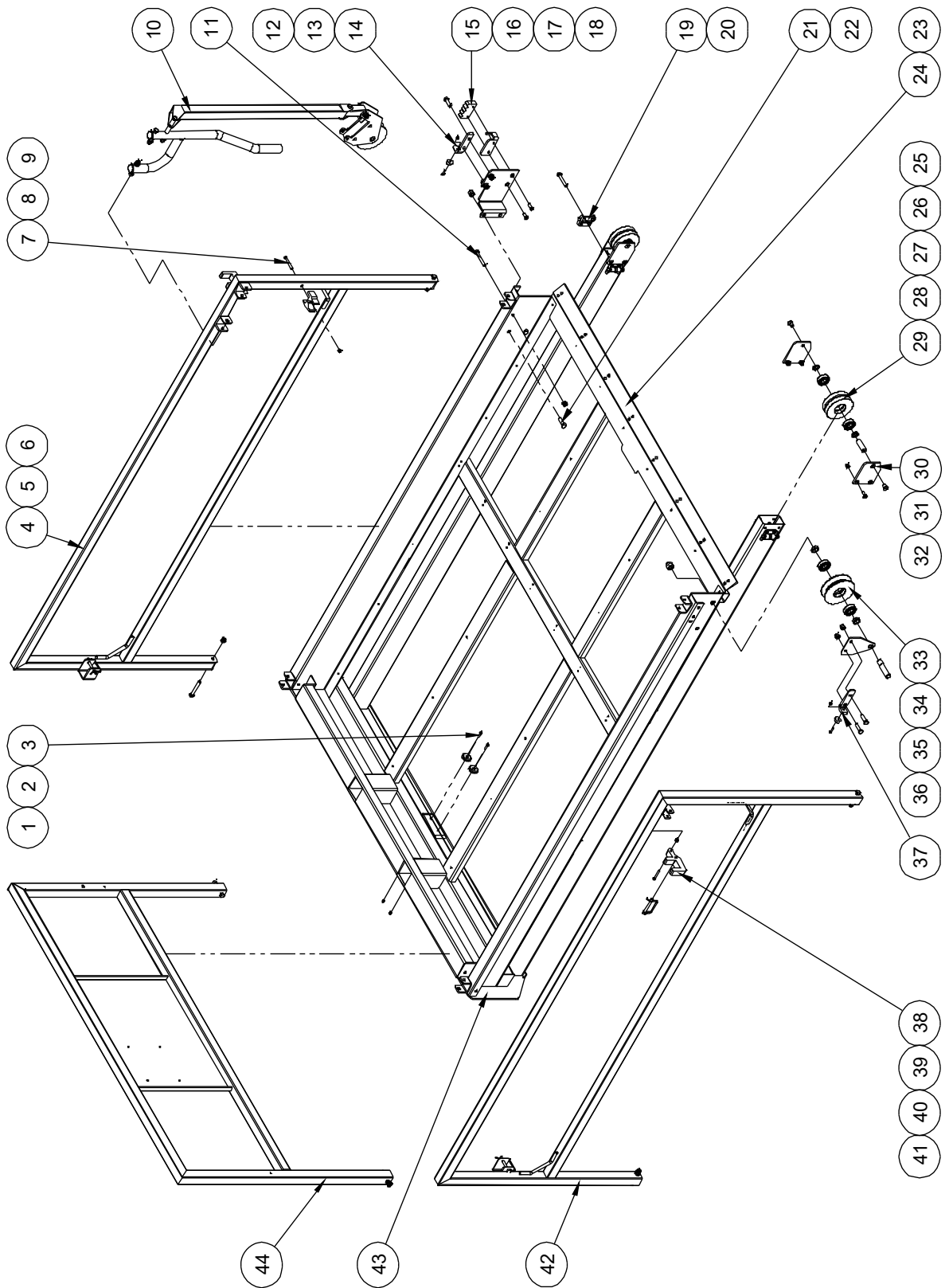
305.2 Front Platform Extension Assembly (Extended Platform)

Item	Part No.	Description	Qty.
1	00002573	Nut GB/T 6183.1 M5	4
2	10004200	Bumper	2
3	00001173	Screw GB/T 70.2 M5×20	4
4	10005547	Right extension rail	1
5	00003956	Bolt GB/T 16674 M10×70	6
6	00002572	Nut GB/T 6183.1 M10	13
7	00001066	Bolt GB/T 5782 M6×55	1
8	10004170	Catch clip	1
9	00001033	Nut GB/T 6182 M6	1
10		Platform locking device assembly (refer to 307.1)	1
11	00002512	Bolt GB/T 5782 M10×70	1
12	10000376	Bumper	2
13	00000684	Bolt GB/T 5783 M10×35	4
14	10004108	Locating plate 1	1
15	10004206	Lock tooth	1
16	10004205	Lock tooth seat	1
17	10004201	Lock seat	1
18	00000838	Screw GB/T 70.3 M8×25	2
19		Side roller assembly (refer to 304.1)	4
20	00002599	Bolt GB/T 5782 M6×65	8
21	00002059	Bolt GB/T 5783 M12×30	2
22	00002576	Nut GB/T 6183.1 M12	2
23	00001991	Rivet GB/T 12618.4 4.8×16	16
24	10000136	Rubber plate	1
25	00000846	Screw GB/T 70.3 M10×25	4
26	10004178	Washer	4
27	00001295	Bearing GB/T 276-1994 - 6204	6
28	10004177	Roller	2
29	10004176	Roller bracket 1	2

305.2 Front Platform Extension Assembly (Extended Platform)

Item	Part No.	Description	Qty.
30	10004175	Roller bracket 2	2
31	10004179	Pin	2
32	00002575	Nut GB/T 6183.1 M8	8
33	10004202	Roller	1
34	10004207	Washer	2
35	10021655	Roller bracket	1
36	10021656	Pin	1
37	10004180	Locating plate 2	1
38	50001717	Rail spacer	2
39	10004174	Inserted pin	2
40	00002312	Bolt GB/T 5782 M6×45	2
41	00002574	Nut GB/T 6183.1 M6	10
42	10005544	Left extension rail	1
43	10019953	Extension deck weldment	1
44	10004282	Front rail	1

306.1 Rear Platform Extension Assembly (Standard Platform)



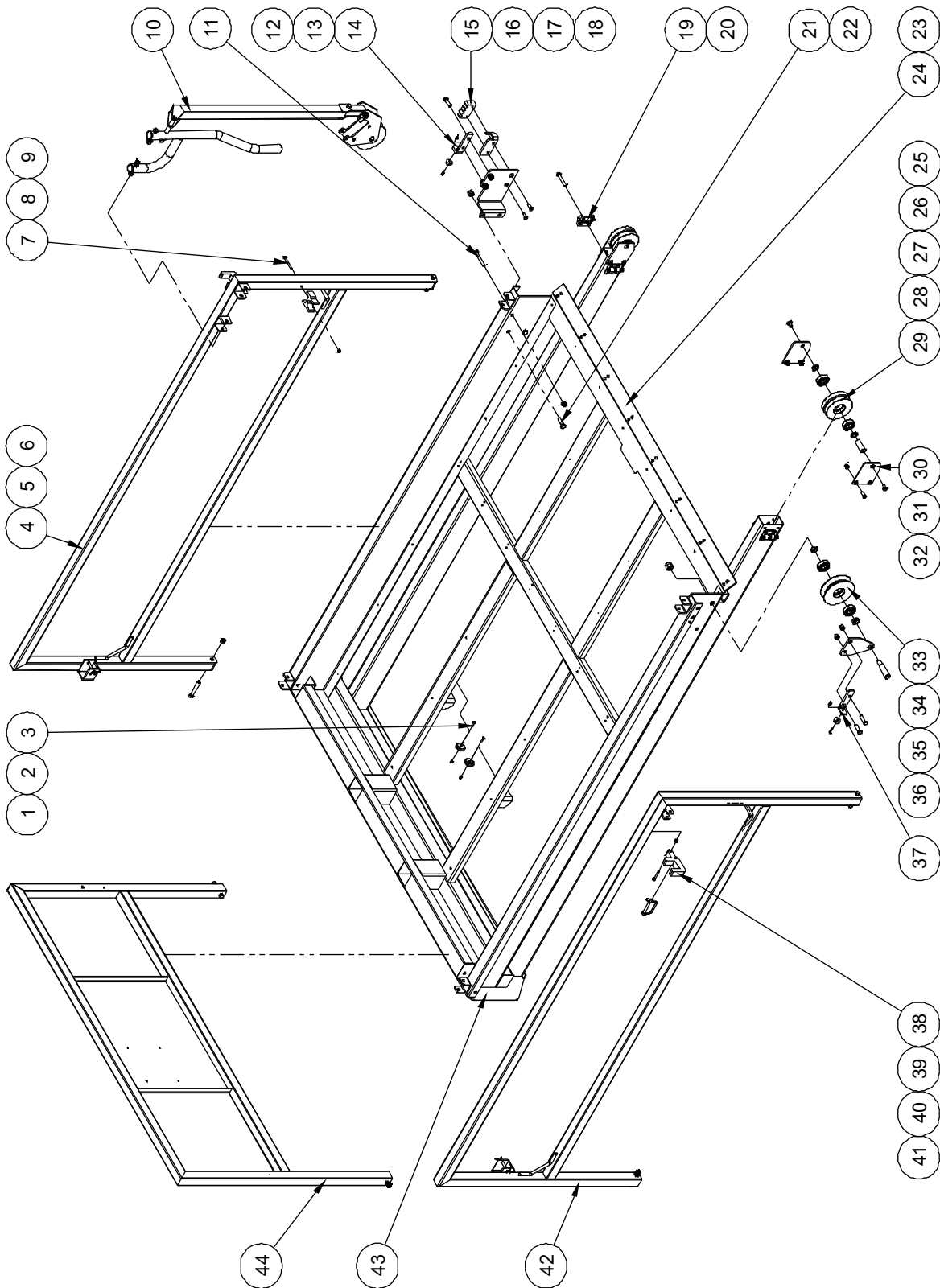
306.1 Rear Platform Extension Assembly (Standard Platform)

Item	Part No.	Description	Qty.
1	00002573	Nut GB/T 6183.1 M5	4
2	10004200	Bumper	2
3	00001173	Screw GB/T 70.2 M5×20	4
4	10004269	Right extension rail	1
5	00003956	Bolt GB/T 16674 M10×70	6
6	00002572	Nut GB/T 6183.1 M10	13
7	00001066	Bolt GB/T 5782 M6×55	1
8	10004170	Catch clip	1
9	00001033	Nut GB/T 6182 M6	1
10		Platform locking device assembly (refer to 307.1)	1
11	00002512	Bolt GB/T 5782 M10×70	1
12	10000376	Bumper	2
13	00000684	Bolt GB/T 5783 M10×35	4
14	10004108	Locating plate 1	1
15	10004206	Lock tooth	1
16	10004205	Lock tooth seat	1
17	10004201	Lock seat	1
18	00000838	Screw GB/T 70.3 M8×25	2
19		Side roller assembly (refer to 304.1)	4
20	00002599	Bolt GB/T 5782 M6×65	8
21	00002059	Bolt GB/T 5783 M12×30	2
22	00002576	Nut GB/T 6183.1 M12	2
23	00001991	Rivet GB/T 12618.4 4.8×16	16
24	10000136	Rubber plate	1
25	00000846	Screw GB/T 70.3 M10×25	4
26	10004178	Washer	4
27	00001295	Bearing GB/T 276-1994 - 6204	6
28	10004177	Roller	2
29	10004176	Roller bracket 1	2

306.1 Rear Platform Extension Assembly (Standard Platform)

Item	Part No.	Description	Qty.
30	10004175	Roller bracket 2	2
31	10004179	Pin	2
32	00002575	Nut GB/T 6183.1 M8	8
33	10004202	Roller	1
34	10004207	Washer	2
35	10021655	Roller bracket	1
36	10021656	Pin	1
37	10004180	Locating plate 2	1
38	50001717	Rail spacer	2
39	10004174	Inserted pin	2
40	00002312	Bolt GB/T 5782 M6×45	2
41	00002574	Nut GB/T 6183.1 M6	10
42	10004262	Left extension rail	1
43	10019081	Extension deck weldment	1
44	10004282	Front rail	1

306.2 Rear Platform Extension Assembly (Extended Platform)



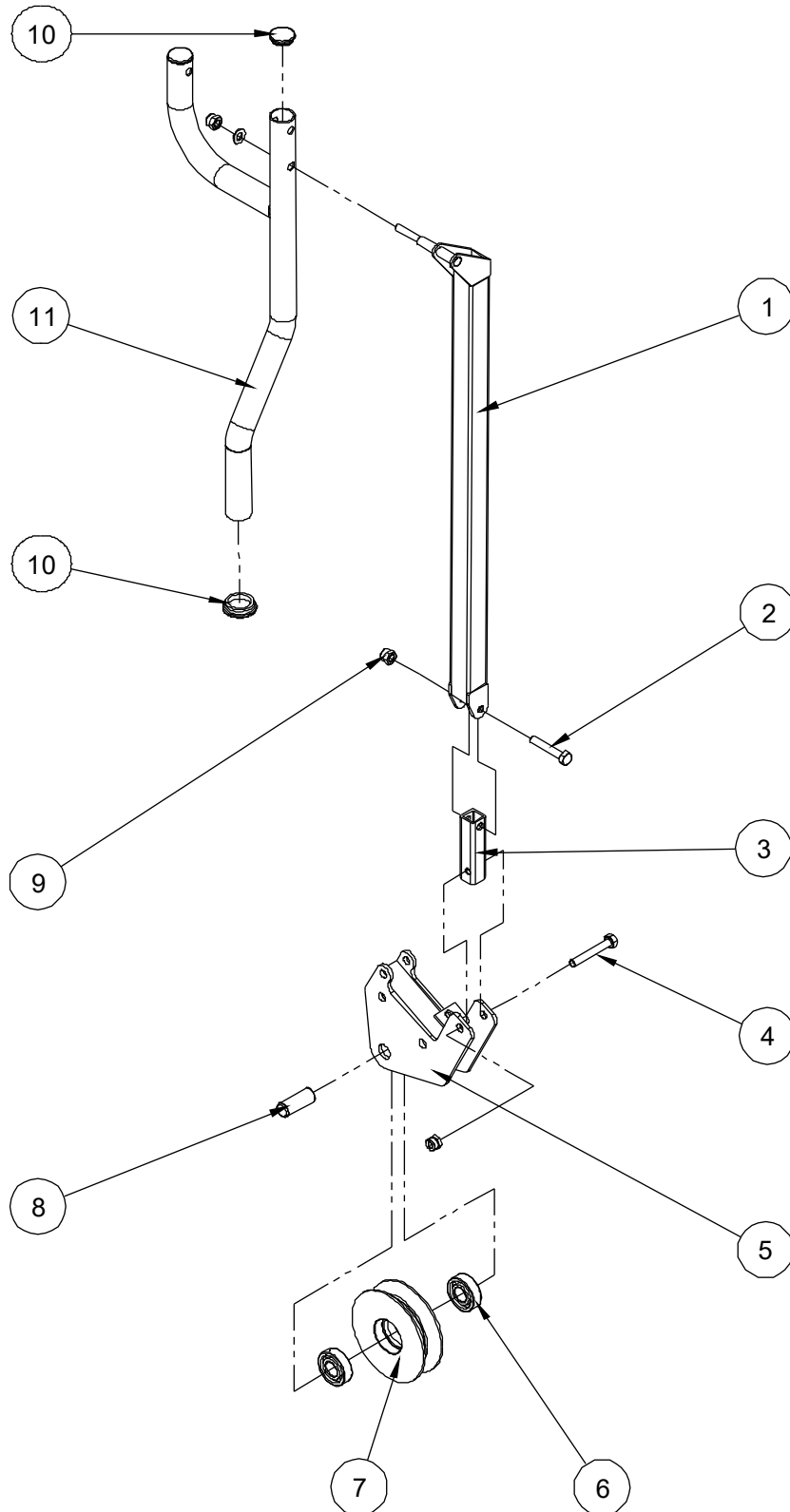
306.2 Rear Platform Extension Assembly (Extended Platform)

Item	Part No.	Description	Qty.
1	00002573	Nut GB/T 6183.1 M5	4
2	10004200	Bumper	2
3	00001173	Screw GB/T 70.2 M5×20	4
4	10005548	Right extension rail	1
5	00003956	Bolt GB/T 16674 M10×70	6
6	00002572	Nut GB/T 6183.1 M10	13
7	00001066	Bolt GB/T 5782 M6×55	1
8	10004170	Catch clip	1
9	00001033	Nut GB/T 6182 M6	1
10		Platform locking device assembly (refer to 307.1)	1
11	00002512	Bolt GB/T 5782 M10×70	1
12	10000376	Bumper	2
13	00000684	Bolt GB/T 5783 M10×35	4
14	10004108	Locating plate 1	1
15	10004206	Lock tooth	1
16	10004205	Lock tooth seat	1
17	10004201	Lock seat	1
18	00000838	Screw GB/T 70.3 M8×25	2
19		Side roller assembly (refer to 304.1)	4
20	00002599	Bolt GB/T 5782 M6×65	8
21	00002059	Bolt GB/T 5783 M12×30	2
22	00002576	Nut GB/T 6183.1 M12	2
23	00001991	Rivet GB/T 12618.4 4.8×16	16
24	10000136	Rubber plate	1
25	00000846	Screw GB/T 70.3 M10×25	4
26	10004178	Washer	4
27	00001295	Bearing GB/T 276-1994 - 6204	6
28	10004177	Roller	2
29	10004176	Roller bracket 1	2

306.2 Rear Platform Extension Assembly (Extended Platform)

Item	Part No.	Description	Qty.
30	10004175	Roller bracket 2	2
31	10004179	Pin	2
32	00002575	Nut GB/T 6183.1 M8	8
33	10004202	Roller	1
34	10004207	Washer	2
35	10021655	Roller bracket	1
36	10021656	Pin	1
37	10004180	Locating plate 2	1
38	50001717	Rail spacer	2
39	10004174	Inserted pin	2
40	00002312	Bolt GB/T 5782 M6×45	2
41	00002574	Nut GB/T 6183.1 M6	10
42	10005551	Left extension rail	1
43	10019950	Extension deck weldment	1
44	10004282	Front rail	1

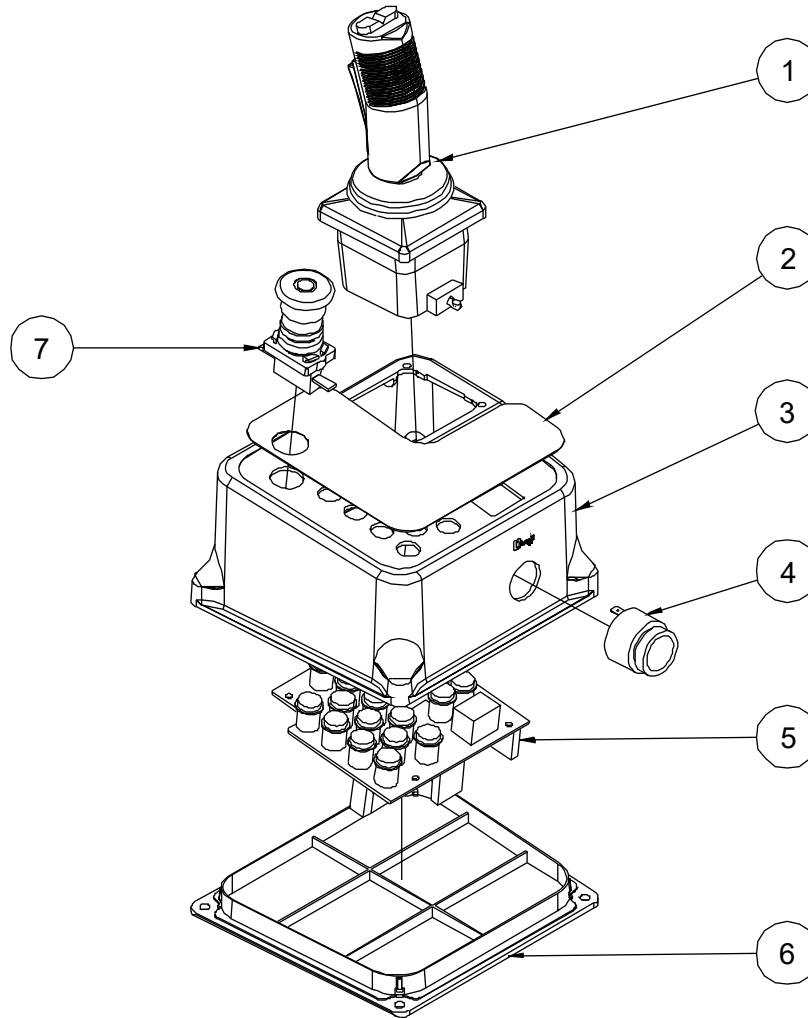
307.1 Platform Locking Device Assembly



307.1 Platform Locking Device Assembly

Item	Part No.	Description	Qty.
1	10004299	Tie rod weldment	1
2	00001984	Bolt GB/T 5782 M10×60	1
3	10004308	Connection rod	1
4	00002512	Bolt GB/T 5782 M10×70	4
5	10004137	Roller bracket	1
6	00001295	Bearing GB/T 276-1994 - 6204	2
7	10004202	Roller	1
8	00000413	893-20050 Pin	1
9	00002572	Nut GB/T 6183.1 M10	2
10	10004309	Cover	3
11	10004304	Handle	1

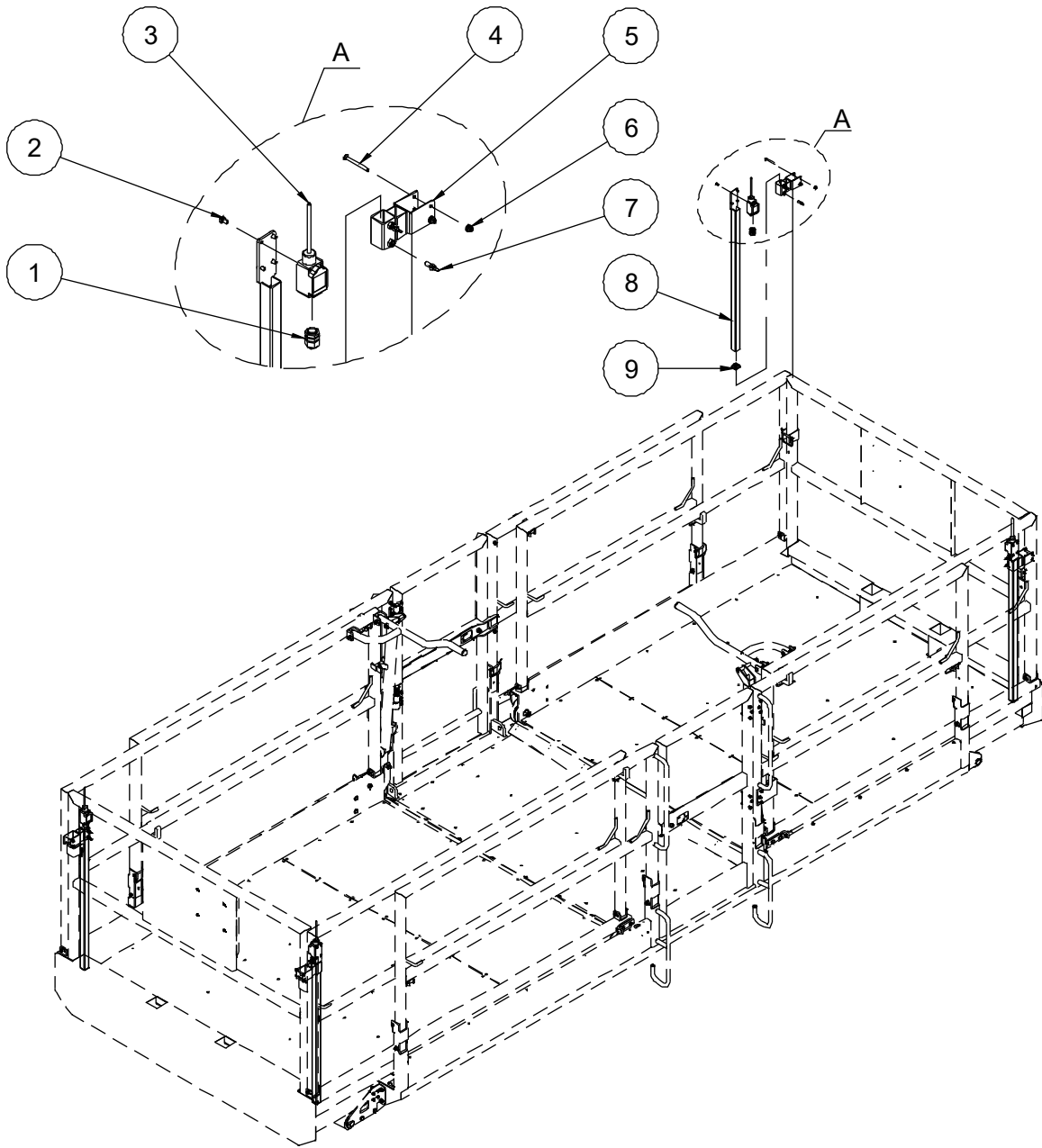
308.1 Platform Control Box Assembly



308.1 Platform Control Box Assembly

Item	Part No.	Description	Qty.
1	00004358	Joystick	1
2	09140017	Decal, Platform control panel	1
3	00004356	Enclosure	1
4	00000712	Alarm	1
5	00004357	Main board	1
6	00004355	Cover bottom	1
7	00000713	Emergency stop switch	1

309.1 Anti-collision Device (Option)

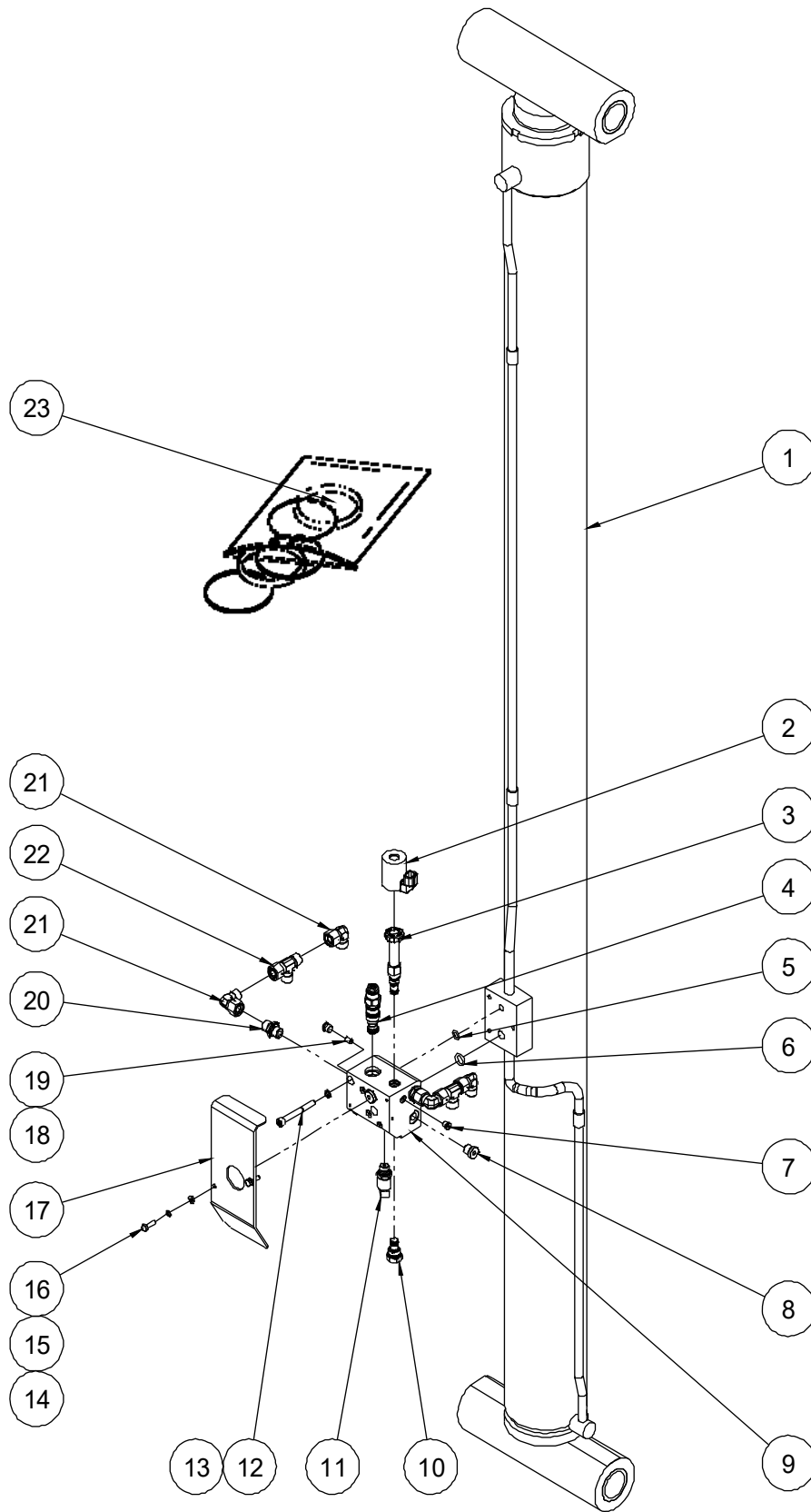


309.1 Anti-collision Device (Option)

Item	Part No.	Description	Qty.
1	00005080	Water-proof joint M20	4
2	00001060	Screw GB/T 818 M6×12 - H	16
3	00002606	Limit switch	4
4	00004581	Screw GB/T 70.3 M6×60	8
5	10009153	Bracket	4
6	00002574	Nut GB/T 6183.1 M6	8
7	00002586	Screw M8×16	8
8	10001704	Pole	4
9	10003413	Plug	4

Section 4 Hydraulic System

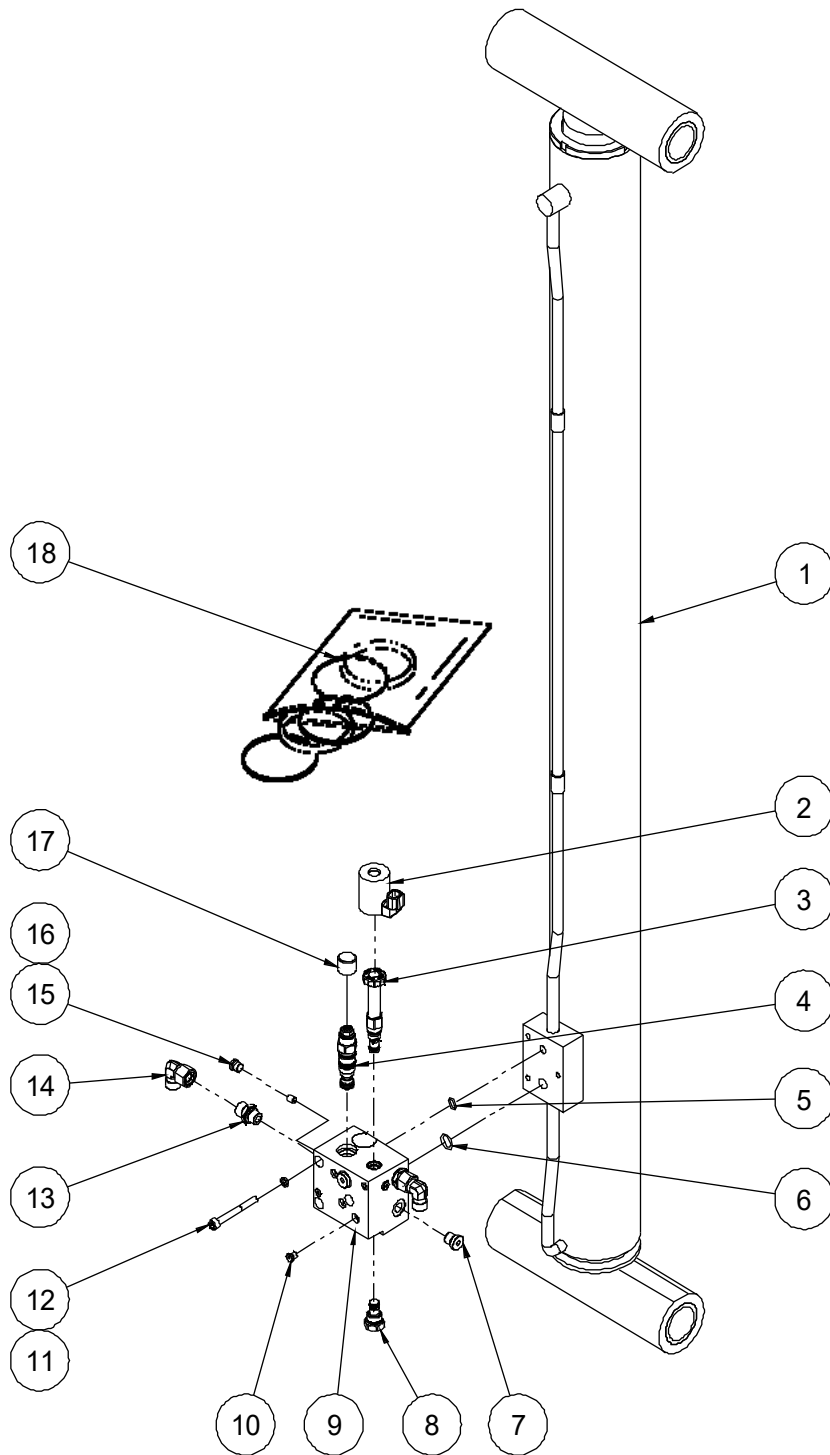
401.1 Lower Lift Cylinder Assembly



401.1 Lower Lift Cylinder Assembly

Item	Part No.	Description	Qty.
1	10025520	Lower lift cylinder	1
2	00004592	Coil	1
3	00004591	Solenoid valve spool (SV16)	1
4	00003373	Counterbalance valve spool (CB1) (JCPT1523RTL)	1
	00003357	Counterbalance valve spool (CB1) (JCPT1823RTL)	1
5	00001660	O-ring As568A 12.42×1.78	1
6	00001709	O-ring As568A 15.54×2.62	1
7	00002999	Plug SAE2	6
8	00001073	Plug VST114×1.5ED	2
9	00010939	Valve body	1
10	10000404	Check valve (CV4)	1
11	00007393	Pressure sensor	1
12	00003135	Screw GB/T 70.1 M8×70	3
13	00000609	Washer GB/T 93 8	3
14	00000620	Washer GB/T 97.1 6	2
15	00000621	Washer GB/T 93 6	2
16	00000743	Bolt GB/T 5783 M6×20	2
17	10018085	Protect cover	1
18	00002998	Plug SAE4	1
19	00006190	Orifice 3/8-16_Φ2.0 (ORF4) (JCPT1523RTL)	1
	00010940	Orifice 3/8-16_Φ1.9 (ORF4) (JCPT1823RTL)	1
20	00001294	Straight fitting	2
21	00001834	Elbow (JCPT1523RTL)	2
	00001834	Elbow (JCPT1823RTL)	4
22	00001239	Tee fitting (JCPT1823RTL)	2
23	00008964	Seal kit	1

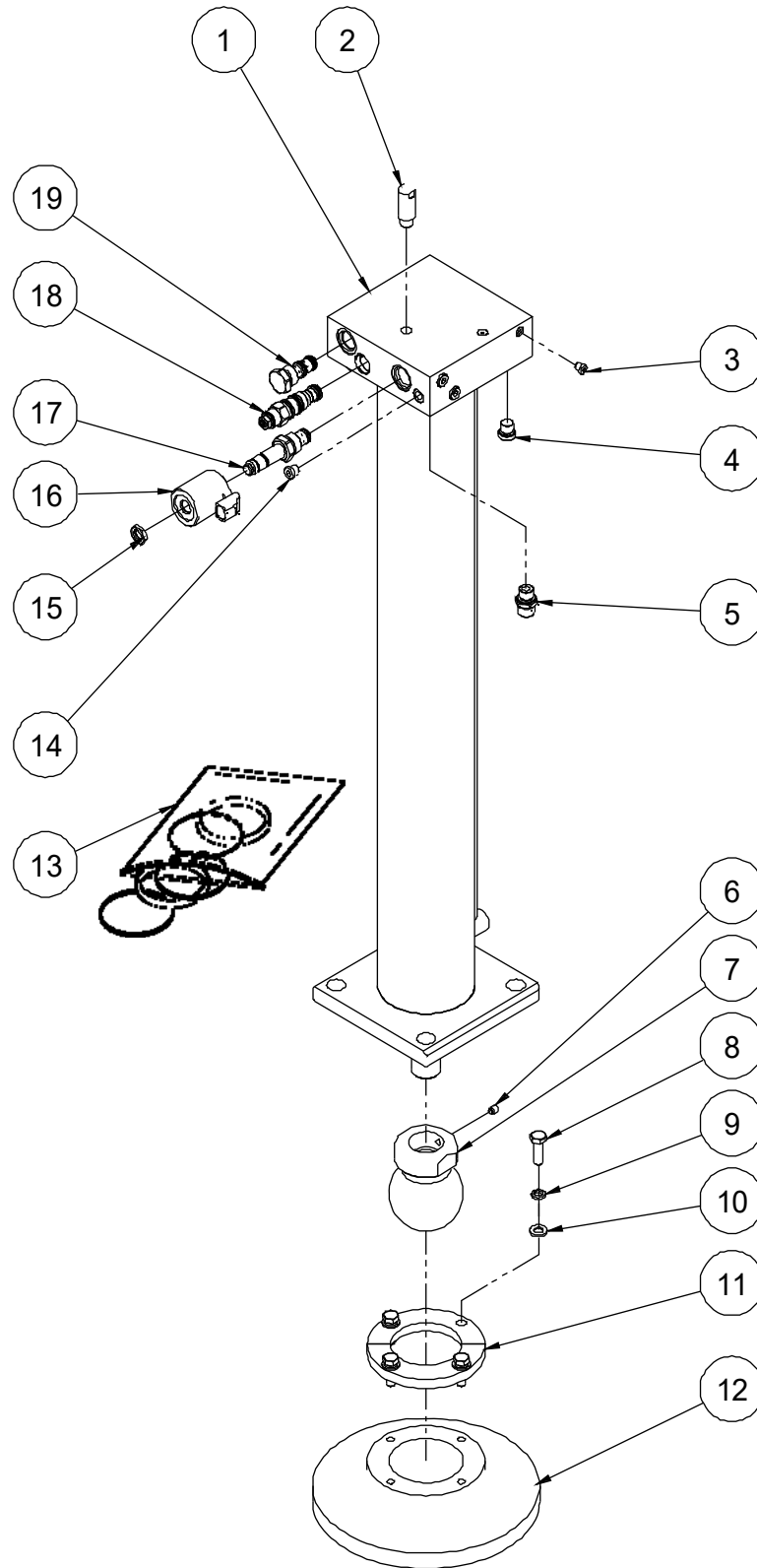
402.1 Upper Lift Cylinder Assembly (JCPT1823RTL)



402.1 Upper Lift Cylinder Assembly (JCPT1823RTL)

Item	Part No.	Description	Qty.
1	10024830	Upper lift cylinder	1
2	00004592	Coil	1
3	00004591	Solenoid valve spool (SV17)	1
4	00008925	Counterbalance valve spool (CB2)	1
5	00001660	O-ring As568A 12.42×1.78	1
6	00001709	O-ring As568A 15.54×2.62	1
7	00001073	Plug VST114×1.5ED	3
8	10000404	Check valve (CV3)	1
9	00007920	Valve body	1
10	00002999	Plug SAE2	6
11	00000609	Washer GB/T 93 8	3
12	00003135	Screw GB/T 70.1 M8×70	3
13	00001294	Straight fitting	2
14	00001834	Elbow	2
15	00002998	Plug SAE4	1
16	00004596	Orifice 3/8-16_Φ1.3 (ORF5)	1
17	00004642	Cover	1
18	00008965	Seal kit	1

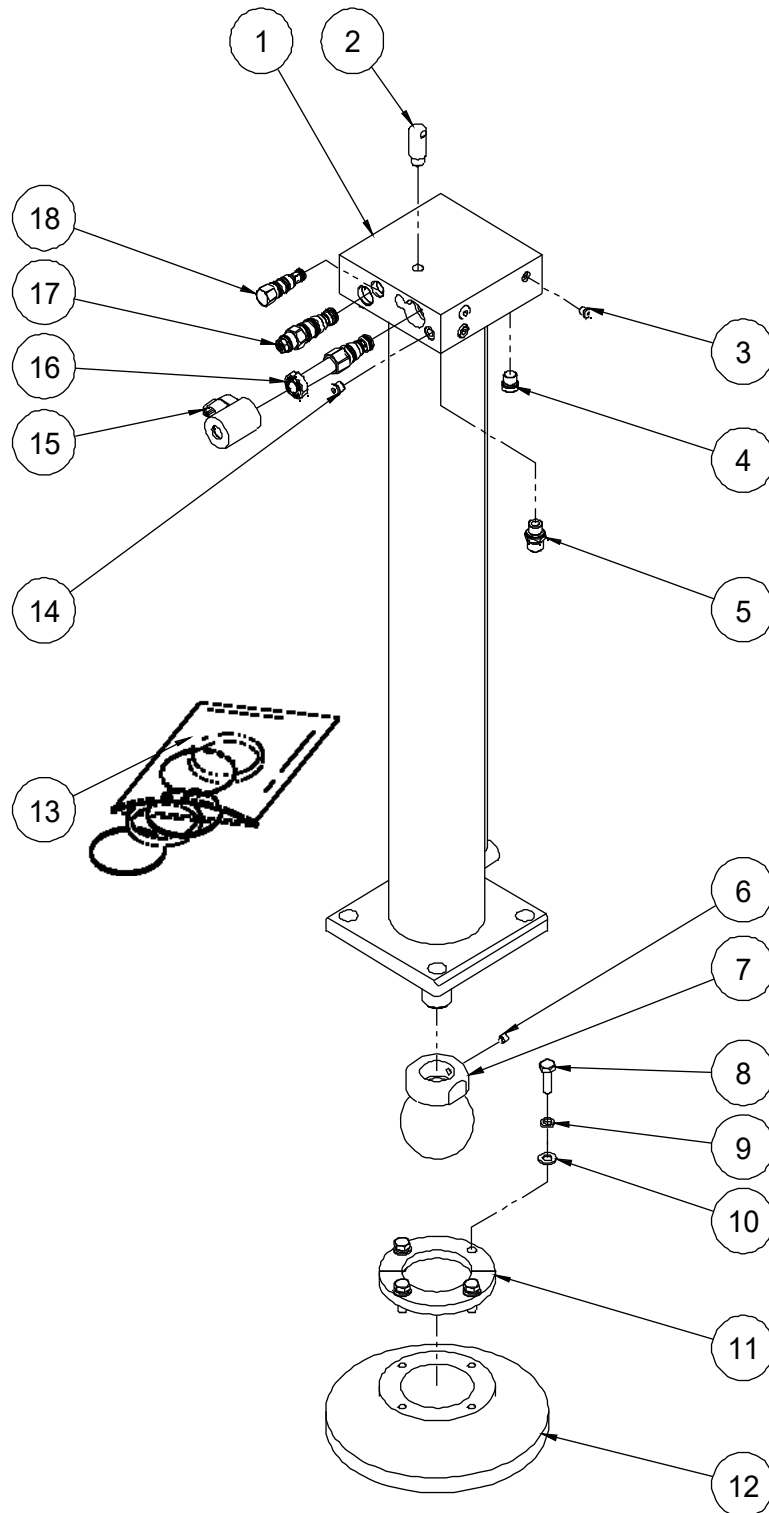
403.1 Outrigger Cylinder Assembly



403.1 Outrigger Cylinder Assembly

Item	Part No.	Description	Qty.
1	10025306	Outrigger cylinder	1
2	10000001	Pin	1
3	00002999	Plug SAE2	3
4	00001111	Plug VST11/4ED	2
5	00001294	Straight fitting	2
6	00002003	Screw GB/T 79 M8×10	1
7	10020349	Ball	1
8	00000683	Bolt GB/T 5783 M10×30	4
9	00000679	Washer GB/T 93 10	4
10	00000615	Washer GB/T 97.1 10	4
11	10004004	Retainer	1
12	10003999	Outrigger footpad	1
13	00009954	Seal kit	1
14	00002998	Plug SAE4	6
15	00003017	Nut	1
16	00008559	Coil	1
17	00003280	Solenoid valve spool (SV12, SV13, SV14, SV15)	1
18	00009755	Counterbalance valve spool (CB4)	1
19	00003281	Pilot-operated check valve (PC1, PC2, PC3, PC4)	1

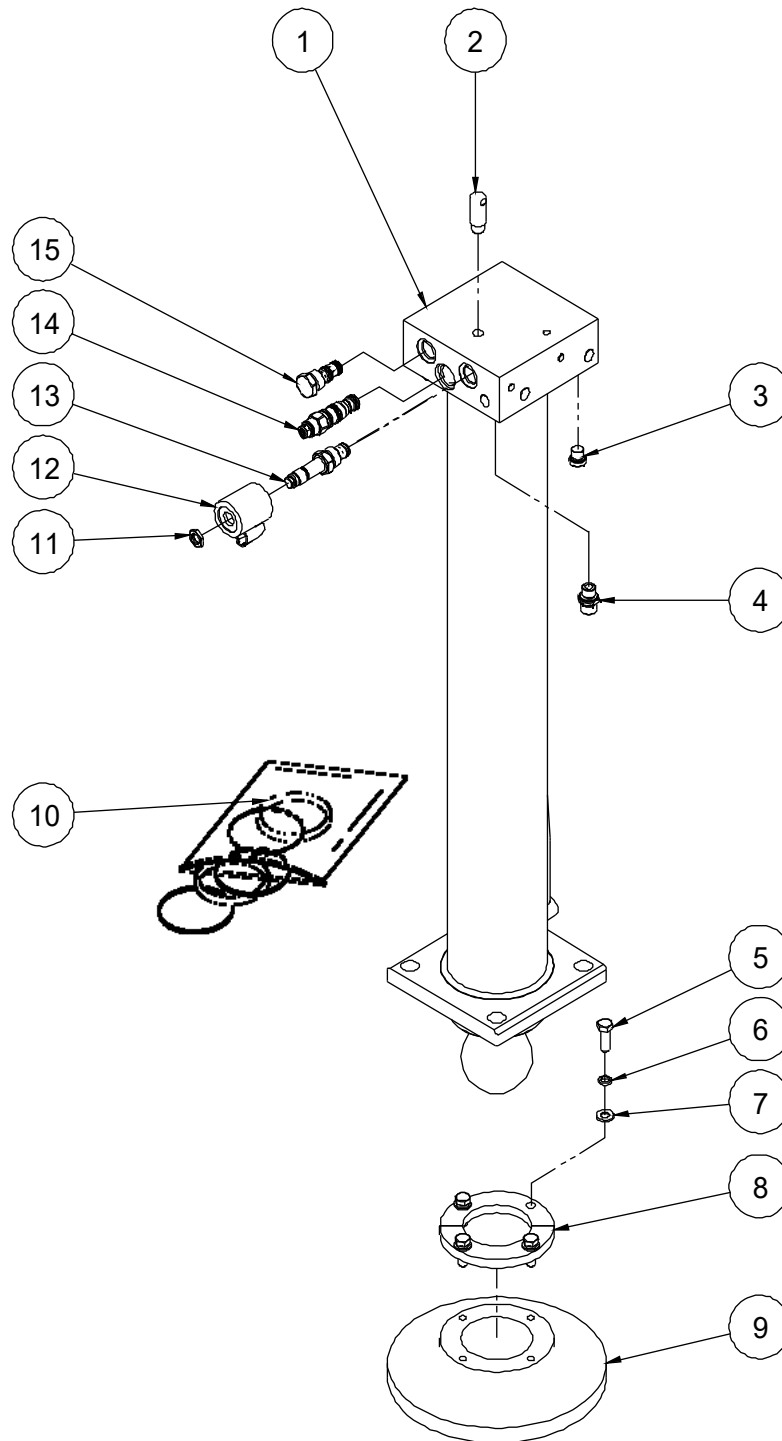
403.2 Outrigger Cylinder Assembly



403.2 Outrigger Cylinder Assembly

Item	Part No.	Description	Qty.
1	10025308	Outrigger cylinder	1
2	10000001	Pin	1
3	00002999	Plug SAE2	2
4	00001111	Plug VST11/4ED	2
5	00001294	Straight fitting	2
6	00002003	Screw GB/T 79 M8×10	1
7	10020349	Ball	1
8	00000683	Bolt GB/T 5783 M10×30	4
9	00000679	Washer GB/T 93 10	4
10	00000615	Washer GB/T 97.1 10	4
11	10004004	Retainer	1
12	10003999	Outrigger footpad	1
13	00009954	Seal kit	1
14	00002998	Plug SAE4	7
15	00004592	Coil	1
16	00009455	Solenoid valve spool (SV12, SV13, SV14, SV15)	1
17	00009755	Counterbalance valve spool (CB4)	1
18	00009253	Pilot-operated check valve (PC1, PC2, PC3, PC4)	1

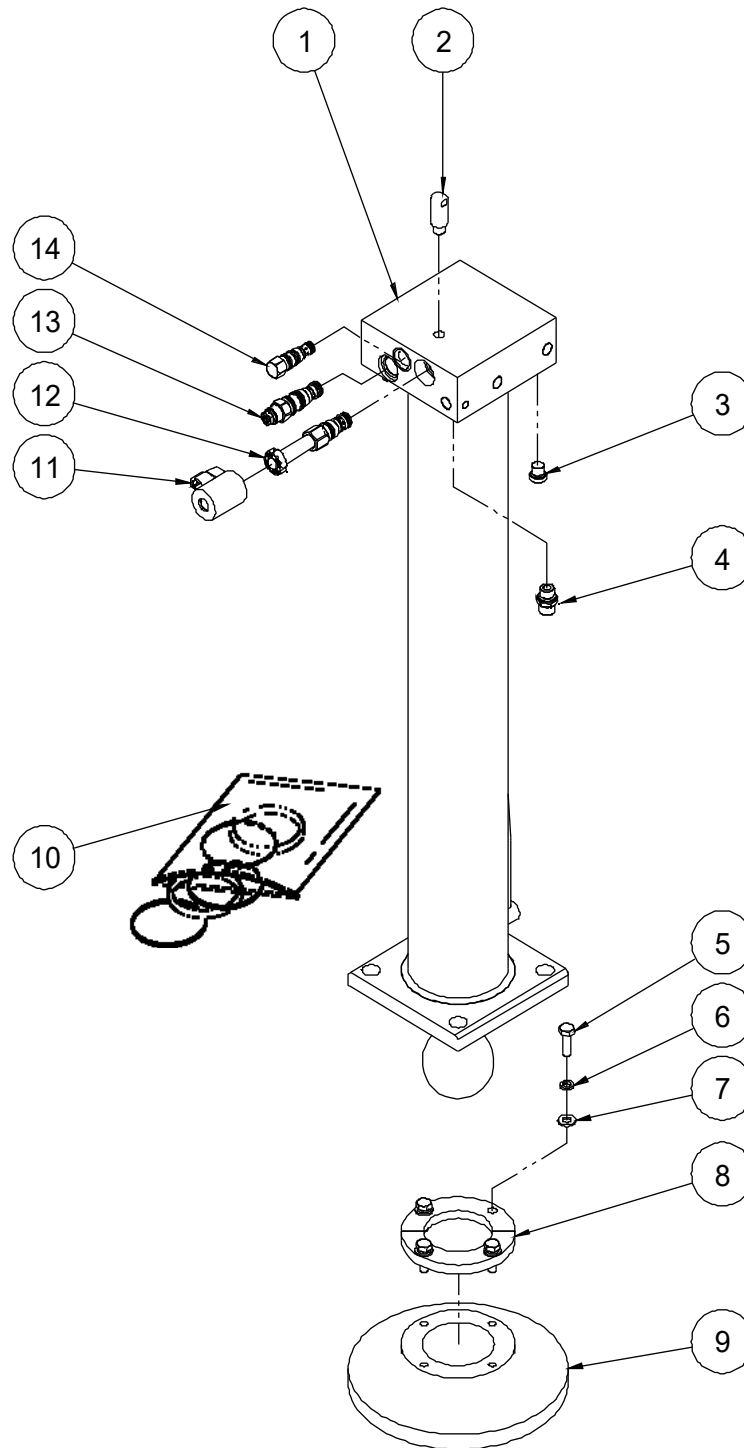
403.3 Outrigger Cylinder Assembly



403.3 Outrigger Cylinder Assembly

Item	Part No.	Description	Qty.
1	10025165	Outrigger cylinder	1
2	10000001	Pin	1
3	00001111	Plug VST11/4ED	2
4	00001294	Straight fitting	2
5	00000683	Bolt GB/T 5783 M10×30	4
6	00000679	Washer GB/T 93 10	4
7	00000615	Washer GB/T 97.1 10	4
8	10004004	Retainer	1
9	10003999	Outrigger footpad	1
10	00010806	Seal kit	1
11	00003017	Nut	1
12	00008559	Coil	1
13	00003280	Solenoid valve spool (SV12, SV13, SV14, SV15)	1
14	00009755	Counterbalance valve spool (CB4)	1
15	00003281	Pilot-operated check valve (PC1, PC2, PC3, PC4)	1

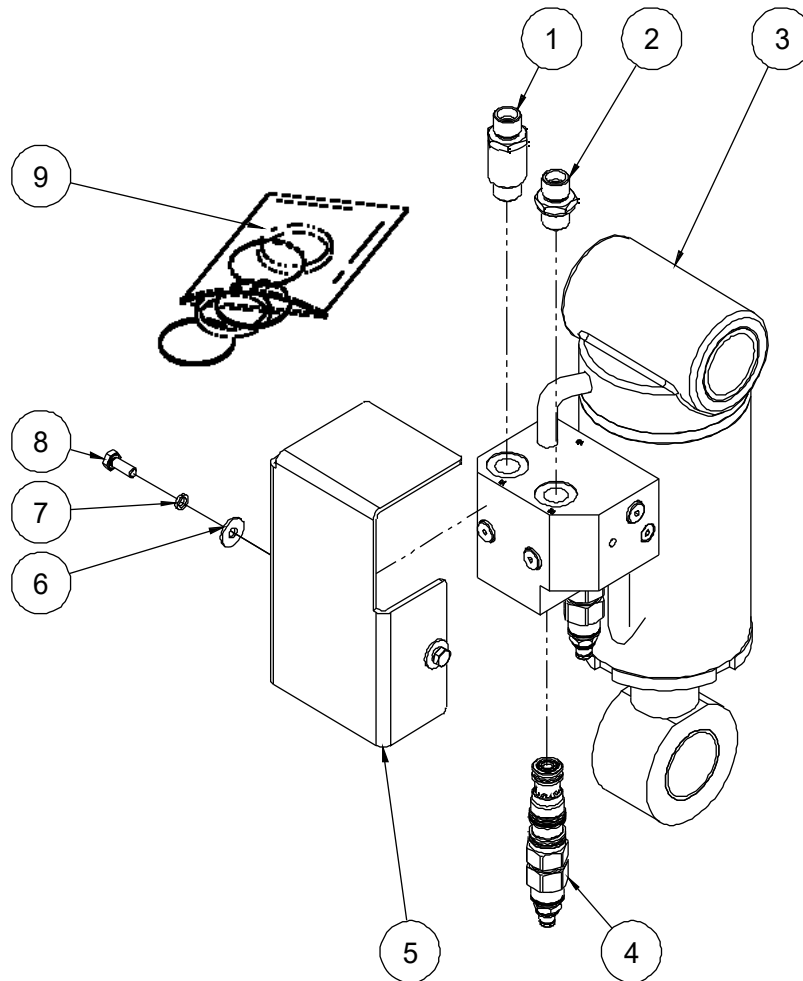
403.4 Outrigger Cylinder Assembly



403.4 Outrigger Cylinder Assembly

Item	Part No.	Description	Qty.
1	10025166	Outrigger cylinder	1
2	10000001	Pin	1
3	00001111	Plug VST11/4ED	2
4	00001294	Straight fitting	2
5	00000683	Bolt GB/T 5783 M10×30	4
6	00000679	Washer GB/T 93 10	4
7	00000615	Washer GB/T 97.1 10	4
8	10004004	Retainer	1
9	10003999	Outrigger footpad	1
10	00010806	Seal kit	1
11	00004592	Coil	1
12	00009455	Solenoid valve spool (SV12, SV13, SV14, SV15)	1
13	00009755	Counterbalance valve spool (CB4)	1
14	00009253	Pilot-operated check valve (PC1, PC2, PC3, PC4)	1

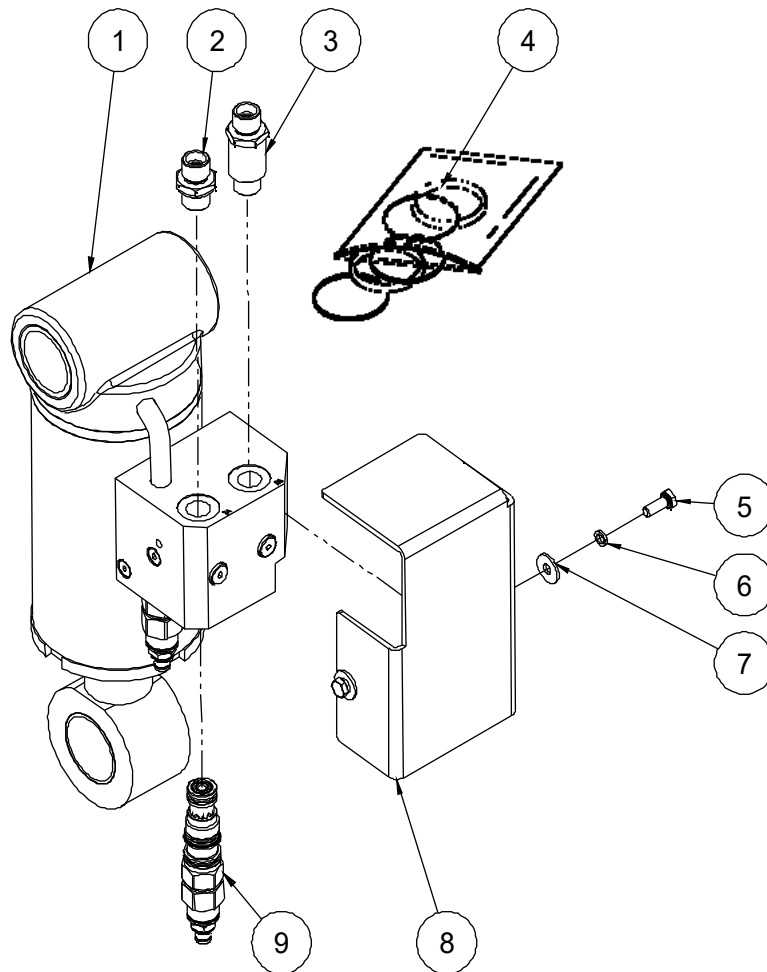
404.1 Left Oscillate Cylinder Assembly



404.1 Left Oscillate Cylinder Assembly

Item	Part No.	Description	Qty.
1	00010835	Straight fitting	1
2	00001291	Straight fitting	1
3	10025516	Oscillate cylinder	1
4	00003373	Counterbalance valve spool (CB3)	2
5	10025583	Left protect cover	1
6	00002583	Washer GB/T 96.1 6	2
7	00000621	Washer GB/T 93 6	2
8	00000818	Bolt GB/T 5783 M6×16	2
9	00005325	Seal kit	1

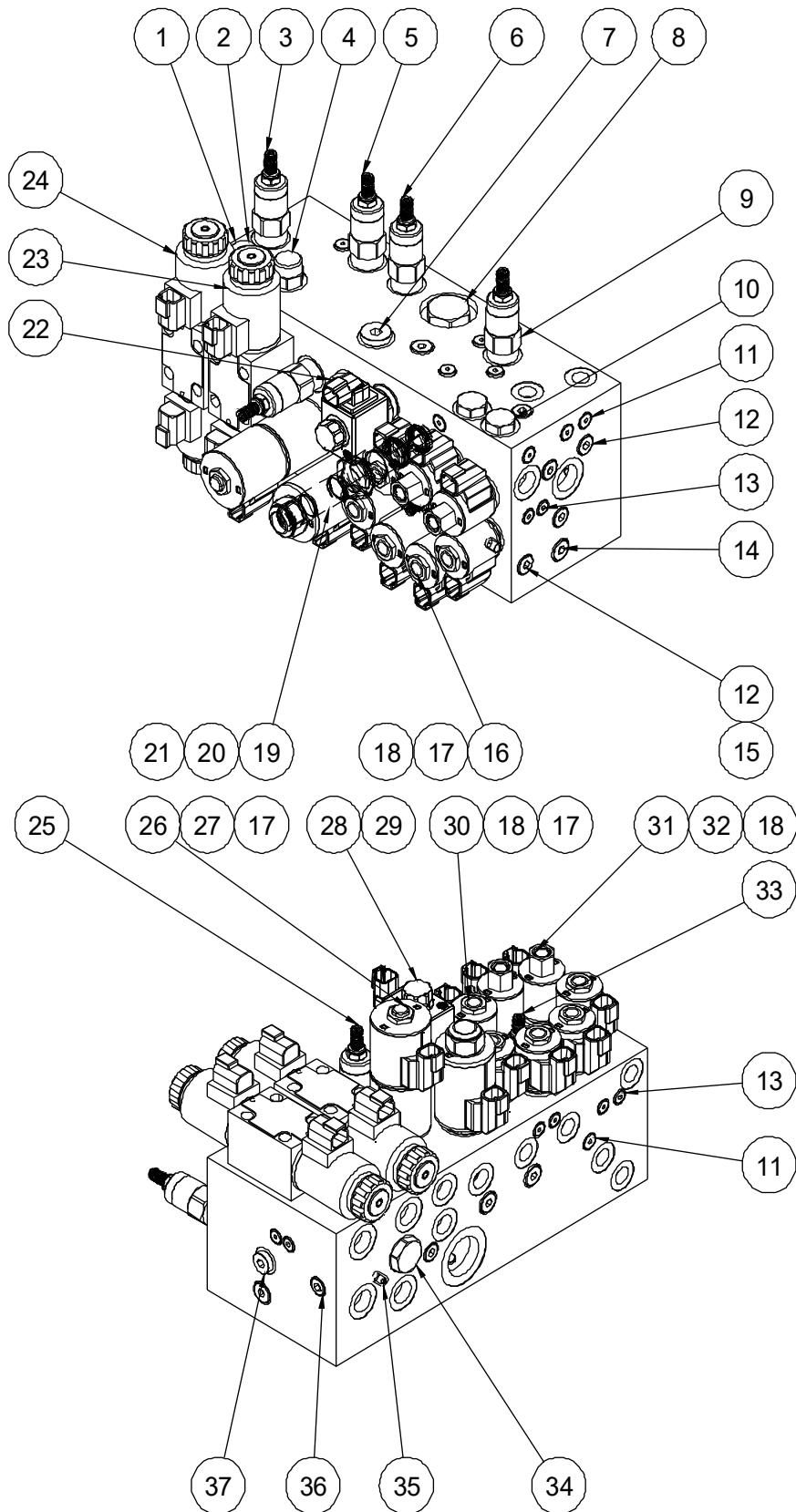
405.1 Right Oscillate Cylinder Assembly



405.1 Right Oscillate Cylinder Assembly

Item	Part No.	Description	Qty.
1	10025516	Oscillate cylinder	1
2	00001291	Straight fitting	1
3	00010835	Straight fitting	1
4	00005325	Seal kit	1
5	00000818	Bolt GB/T 5783 M6×16	2
6	00000621	Washer GB/T 93 6	2
7	00002583	Washer GB/T 96.1 6	2
8	10025524	Right protect cover	1
9	00003373	Counterbalance valve spool (CB3)	2

406.1 Function Manifold



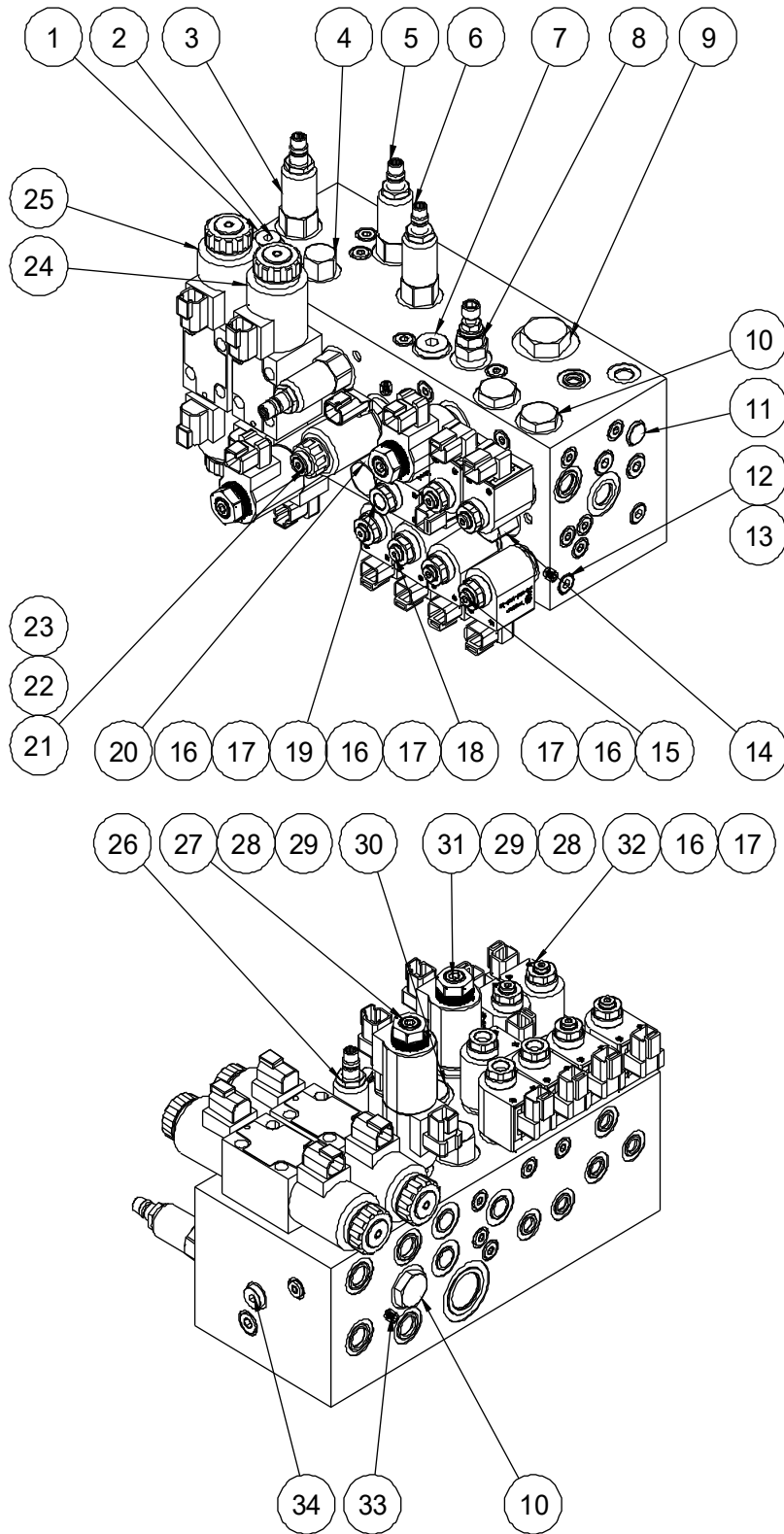
406.1 Function Manifold

Item	Part No.	Description	Qty.
1	00011183	Valve body	1
2	00001073	Plug VST114×1.5ED	1
3	00010528	Relief valve (RV5)	1
4	00003999	Flow control valve (FC2)	1
5	00010534	Relief valve (RV3)	1
6	00010531	Relief valve (RV1)	1
7	00001075	Plug VST118×1.5ED	1
8	00004017	Plug (CP1)	1
9	00010530	Relief valve (RV2)	1
10	10000404	Check valve (CV1, CV2)	2
11	00002997	Plug SAE3	13
12	00004383	Plug SAE5	6
13	00002999	Plug SAE2	12
14	00003361	Plug SAE6	8
15	00003578	Orifice $\Phi 0.8$	1
16	00004550	Solenoid valve spool (SV4, SV5, SV7, SV8)	4
17	00003017	Nut	6
18	00004091	Coil	7
19	00007037	Proportional valve (PV1)	1
20	00006732	Coil	1
21	00004003	Nut	1
22	00004016	Plug (CP2)	1
23	00008370	Solenoid valve (SV9)	1
24	00008189	Solenoid valve (SV11)	1
25	00011182	Relief valve (RV4)	1
26	00003996	Solenoid valve spool (SV10)	1
27	00006762	Coil	2
28	00010532	Solenoid valve spool (SV1)	1
29	00009641	Coil	1

406.1 Function Manifold

Item	Part No.	Description	Qty.
30	00004549	Solenoid valve spool (SV3)	1
31	00002395	Solenoid valve spool (SV1,SV2)	2
32	00006764	Nut	2
33	00011181	Flow control valve (FC1)	1
34	00003998	Check valve (CV3)	1
35	00004001	Orifice 3/8-16_Φ3.5	1
36	00002998	Plug SAE4	8
37	00001072	Plug VSTI12×1.5ED	1

406.2 Function Manifold



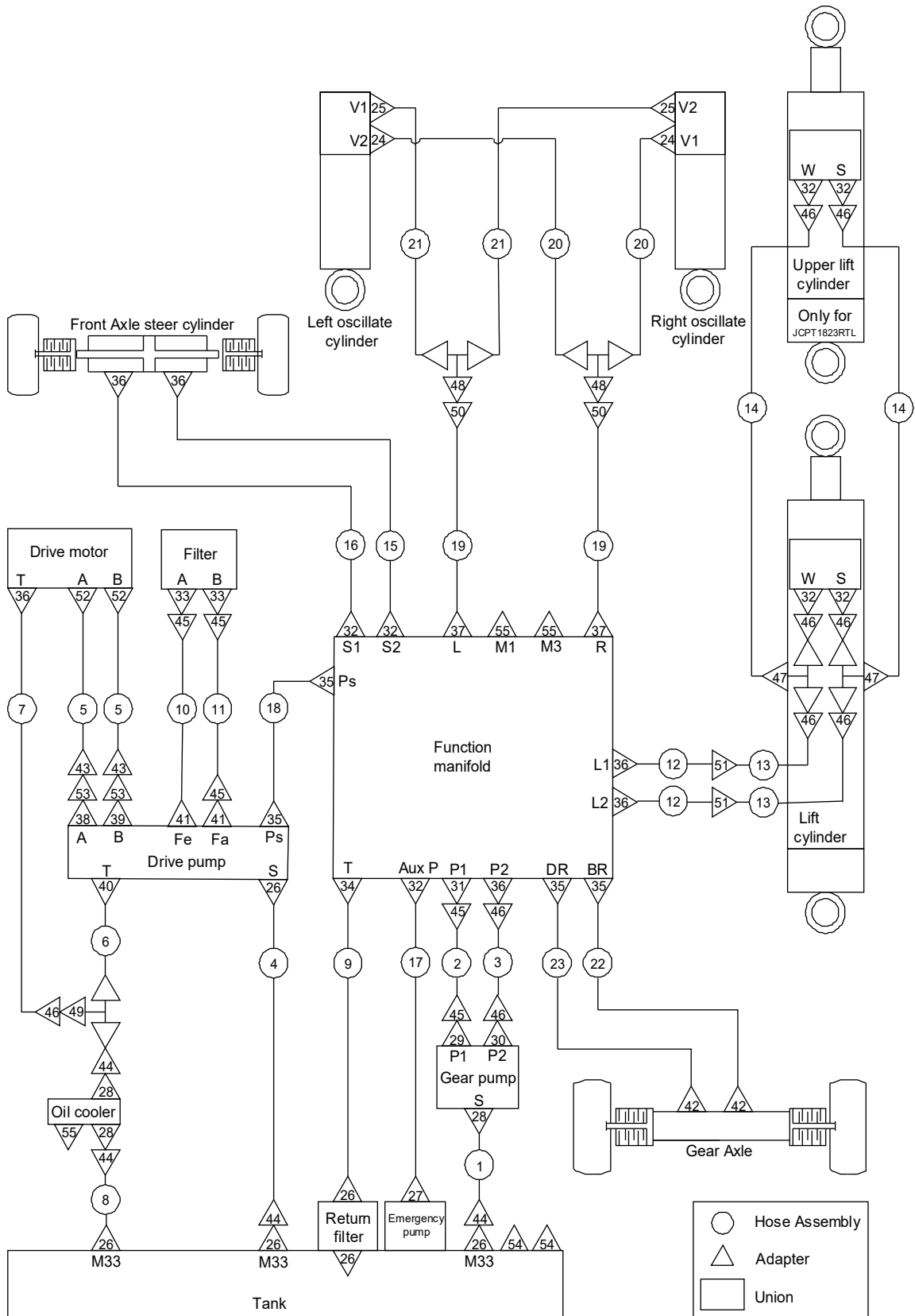
406.2 Function Manifold

Item	Part No.	Description	Qty.
1	00010787	Valve body	1
2	00001073	Plug VSTI14×1.5ED	1
3	00003591	Relief valve (RV5)	1
4	00003296	Flow control valve (FC2)	1
5	00004874	Relief valve (RV3)	1
6	00004326	Relief valve (RV1)	1
7	00001075	Plug VSTI18×1.5ED	1
8	00010934	Relief valve (RV2)	1
9	00010936	Plug	1
10	00003590	Check valve (CV1,CV2,CV3)	3
11	00003361	Plug SAE6	5
12	00002998	Plug SAE4	29
13	00000292	Orifice M8×1_Φ0.8	1
14	00009358	Flow control valve (FC1)	1
15	00010937	Solenoid valve spool (SV7,SV8)	2
16	00003352	Nut	7
17	00003320	Coil	7
18	00003301	Solenoid valve spool (SV4,SV5)	2
19	00003300	Solenoid valve spool (SV3)	1
20	00010935	Logic element	1
21	00010933	Proportional valve (PV1)	1
22	00003317	Coil	1
23	00004318	Nut	1
24	00009360	Solenoid valve (SV9)	1
25	00009359	Solenoid valve (SV11)	1
26	00006445	Relief valve (RV4)	1
27	00004310	Solenoid valve spool (SV10)	1
28	00003319	Coil	3
29	00003353	Nut	2

406.2 Function Manifold

Item	Part No.	Description	Qty.
30	00004333	Plug SAE12	1
31	00009357	Solenoid valve spool (SV6)	1
32	00006093	Solenoid valve spool (SV1,SV2)	2
33	00000308	Orifice M8×1_Φ3.35	1
34	00001072	Plug VST112×1.5ED	1

407.1 Hydraulic Hoses and Fittings-Function



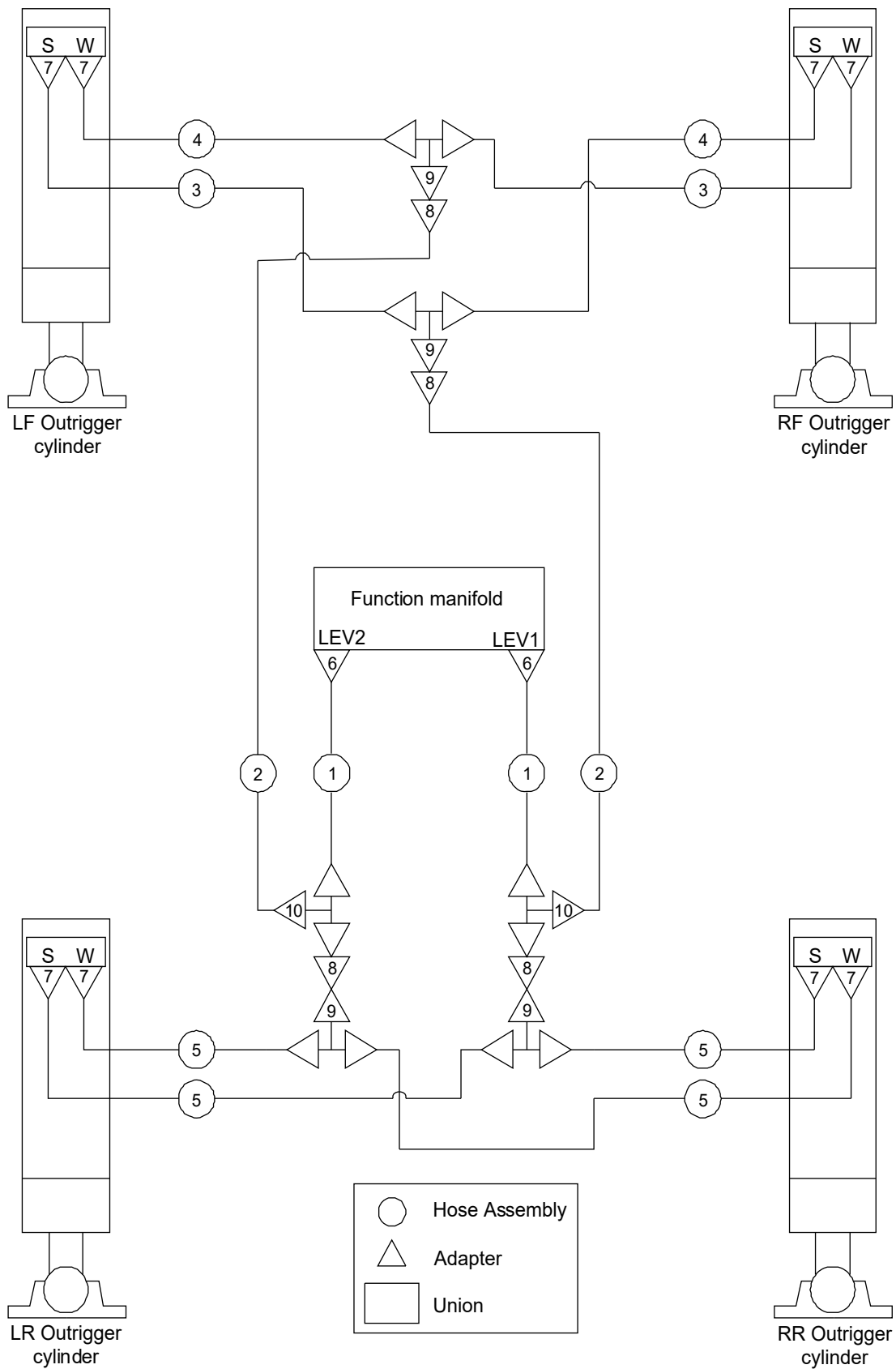
407.1 Hydraulic Hoses and Fittings-Function

Item	Part No.	Description	Qty.
1	00007087	Hose assembly	1
2	00010230	Hose assembly	1
3	00010840	Hose assembly	1
4	00010841	Hose assembly	1
5	00010512	Hose assembly	2
6	00010513	Hose assembly	1
7	00010514	Hose assembly	1
8	00010515	Hose assembly	1
9	00010516	Hose assembly	1
10	00010842	Hose assembly	1
11	00010843	Hose assembly	1
12	00004175	Hose assembly	2
13	00004176	Hose assembly	2
14	00004177	Hose assembly (JCPT1823RTL)	2
15	00004202	Hose assembly	1
16	00010844	Hose assembly	1
17	00010342	Hose assembly	1
18	00002287	Hose assembly	1
19	00010517	Hose assembly	2
20	00010518	Hose assembly	2
21	00010574	Hose assembly	2
22	00007058	Hose assembly	1
23	00010575	Hose assembly	1
24	00001291	Straight fitting	2
25	00010835	Straight fitting	2
26	00002071	Straight fitting	6
27	00001501	Straight fitting	1
28	00009850	Straight fitting	3
29	00001506	Straight fitting	1

407.1 Hydraulic Hoses and Fittings-Function

Item	Part No.	Description	Qty.
30	00001504	Straight fitting	1
31	00001266	Straight fitting	1
32	00001294	Straight fitting (JCPT1823RTL)	7
	00001294	Straight fitting (JCPT1523RTL)	5
33	00002069	Straight fitting	2
34	00001272	Straight fitting	1
35	00001282	Straight fitting	4
36	00001262	Straight fitting	6
37	00001290	Straight fitting	2
38	00010483	Flange adapter	1
39	00010484	Flange adapter	1
40	00001270	Straight fitting	1
41	00001264	Straight fitting	2
42	00007172	Straight fitting	2
43	00001842	Elbow	2
44	00001837	Elbow	4
45	00001835	Elbow	5
46	00001834	Elbow (JCPT1823RTL)	9
	00001834	Elbow (JCPT1523RTL)	5
47	00001239	Tee fitting (JCPT1823RTL)	2
48	00002119	Tee fitting	2
49	00004979	Tee fitting	1
50	00002136	Straight fitting	2
51	00002137	Straight fitting	2
52	90003624	Flange	2
53	00008672	Flange	2
54	00001074	Plug VSTI16×1.5ED	2
55	00001073	Plug VSTI14×1.5ED	3

408.1 Hydraulic Hoses and Fittings-Outrigger

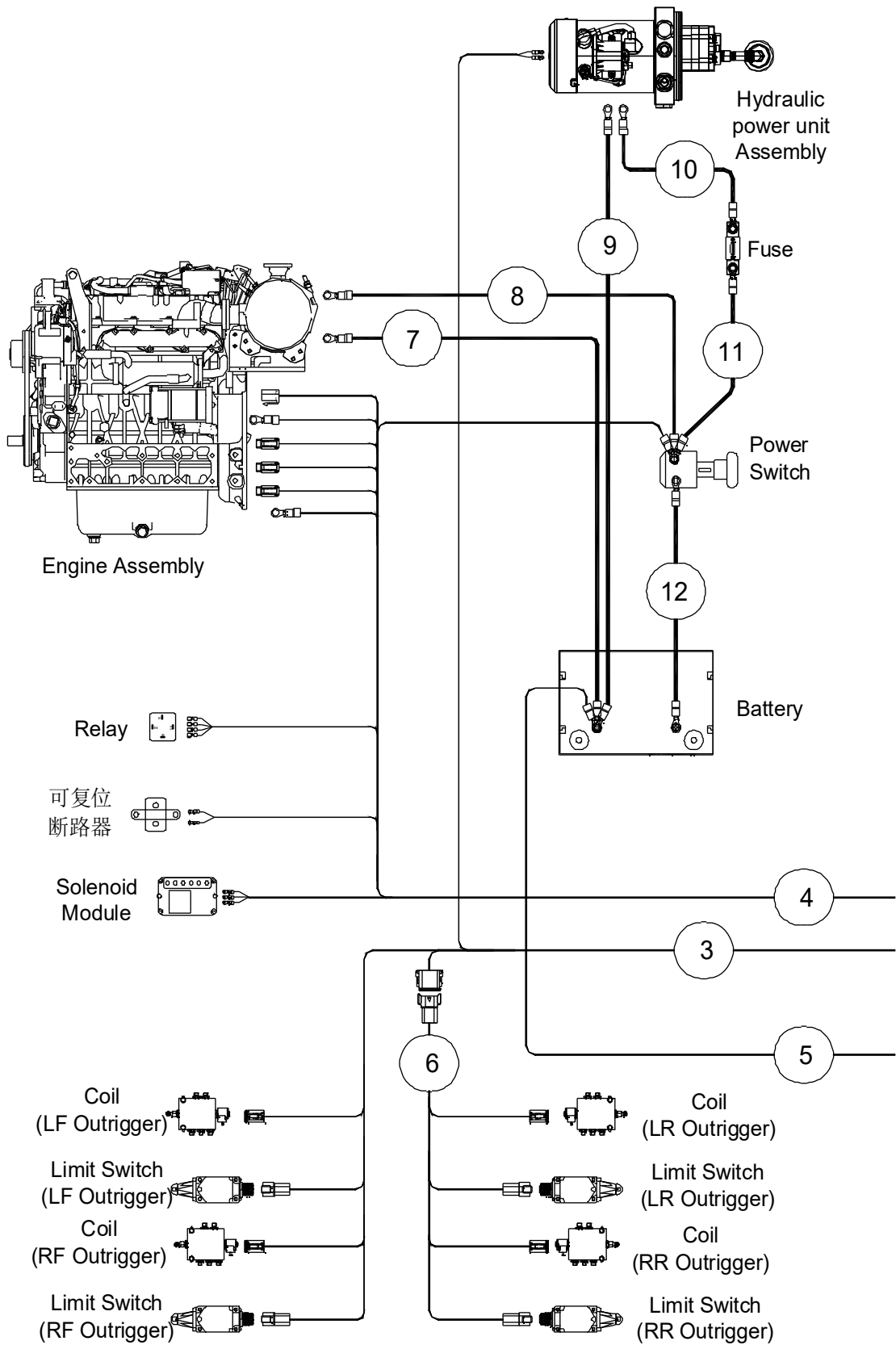


408.1 Hydraulic Hoses and Fittings-Outrigger

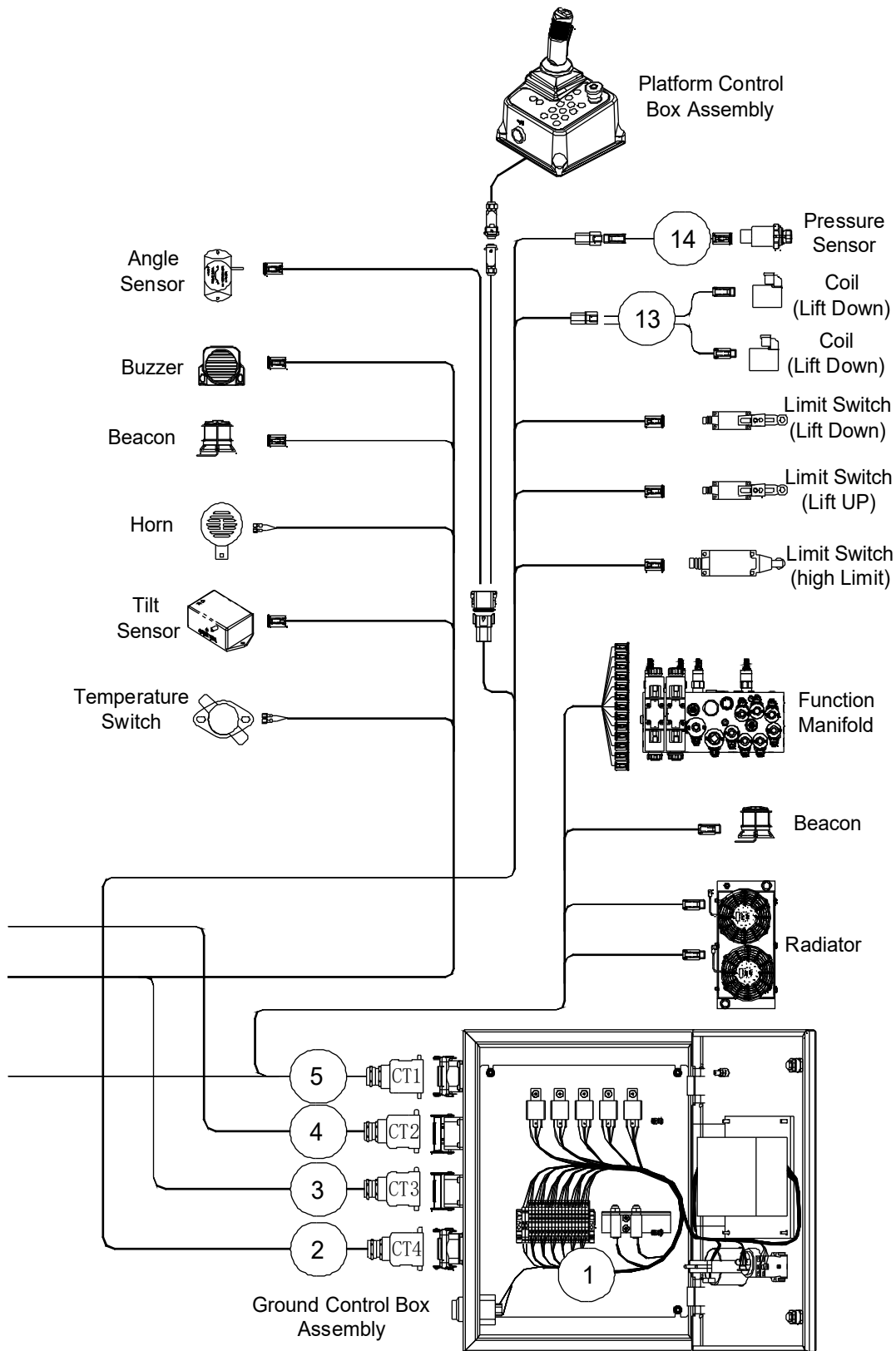
Item	Part No.	Description	Qty.
1	00010519	Hose assembly	2
2	00003707	Hose assembly	2
3	00010520	Hose assembly	2
4	00010521	Hose assembly	2
5	00010522	Straight fitting	2
6	00001262	Straight fitting	8
7	00001294	Straight fitting	4
8	00002137	Tee fitting	4
9	00002120	Tee fitting	2
10	00001239	Straight fitting	2

Section 5 Electrical System

501.1 Electrical Harness (Kubota)



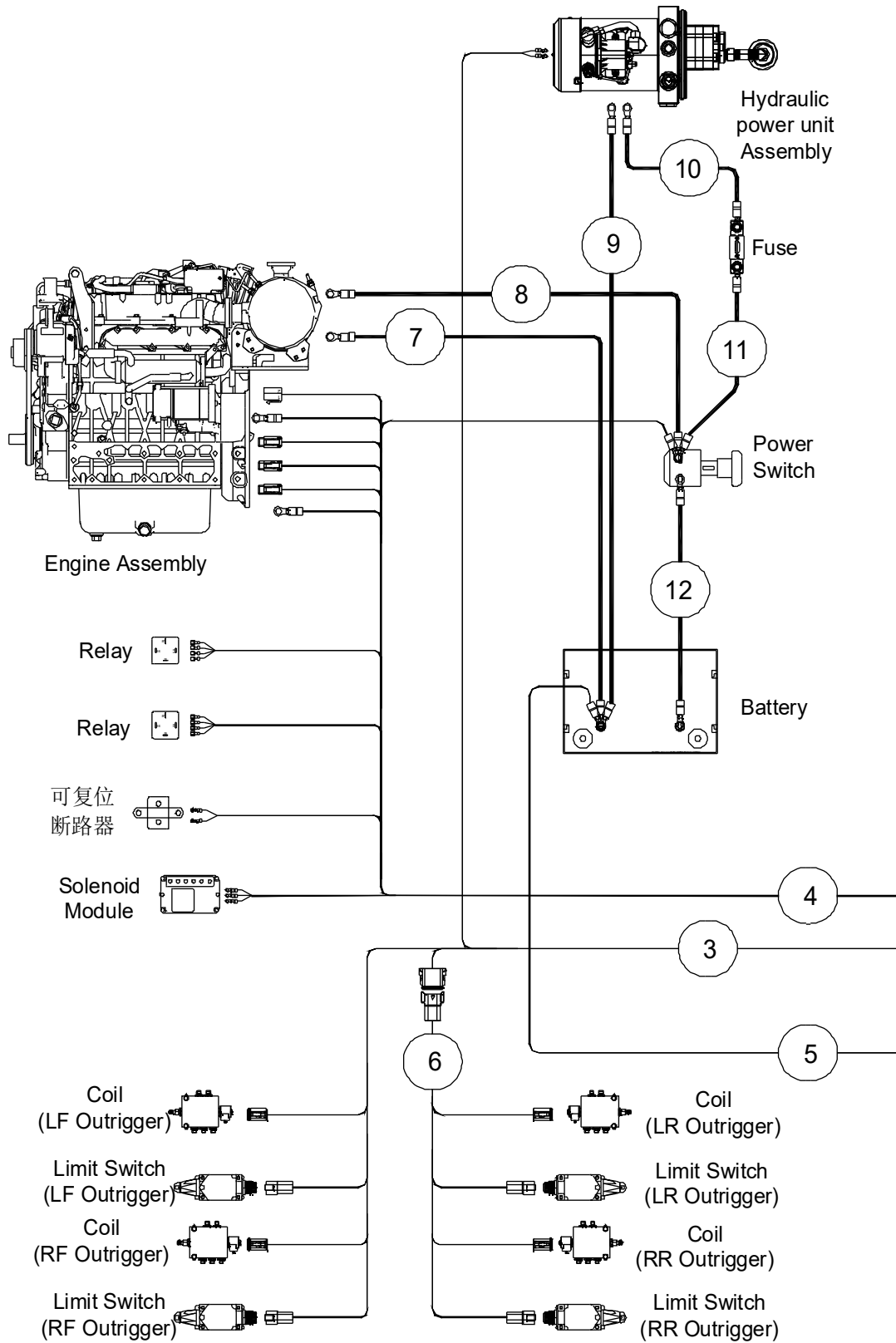
501.1 Electrical Harness (Kubota)



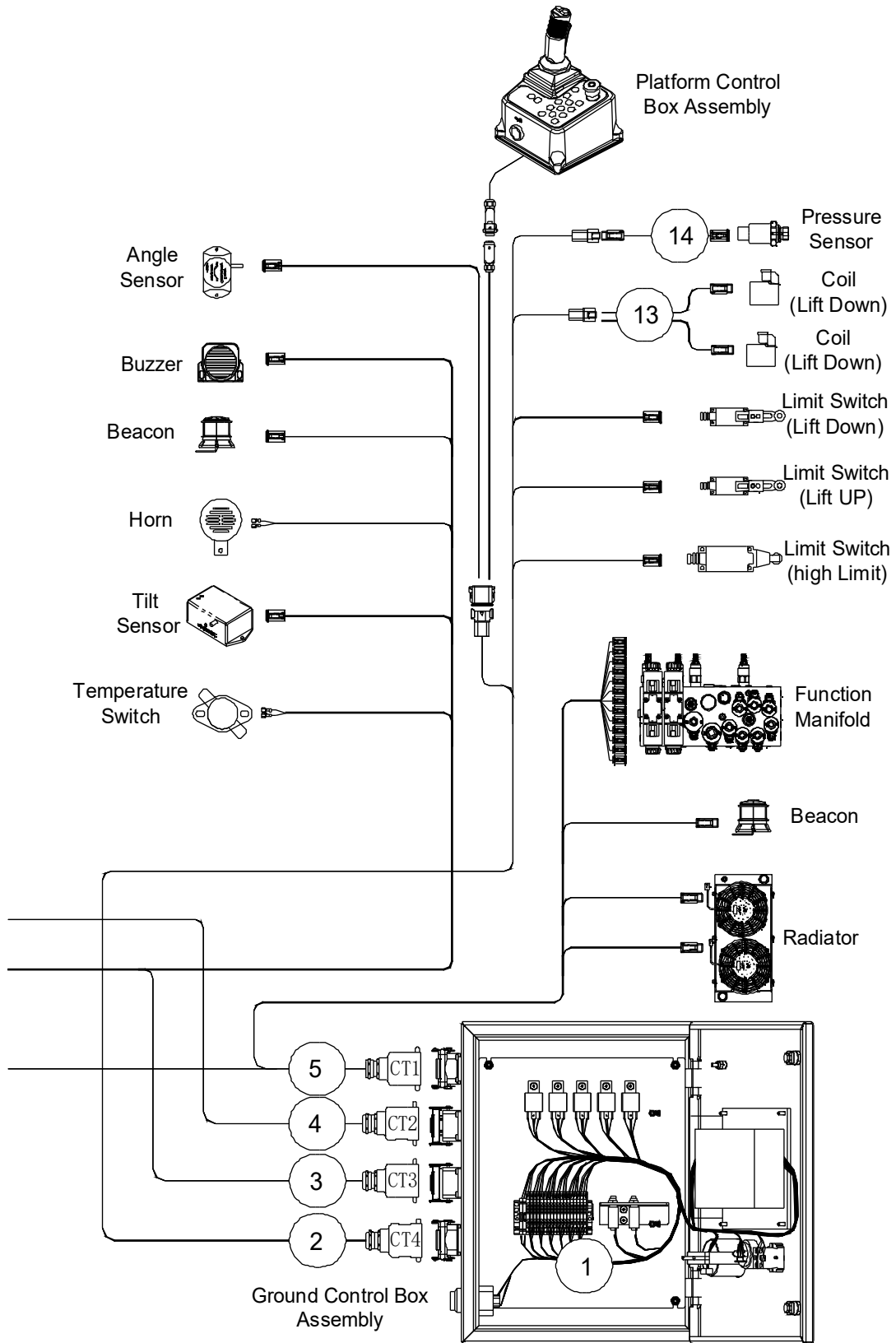
501.1 Electrical Harness (Kubota)

Item	Part No.	Description	Qty.
1	00010496	Ground control box harness	1
2	00010501	CT4 harness	1
3	00010499	CT3 harness	1
4	00010616	CT2 harness	1
5	00010497	CT1 harness	1
6	00010797	Rear Outrigger harness	1
7	00010505	Engine negative harness	1
8	00010503	Start motor harness	1
9	00010800	Emergency pump negative harness	1
10	00010799	Emergency pump positive harness	1
11	00010798	Emergency pump fuse harness	1
12	00010502	Battery positive harness	1
13	00007323	Lowering valve harness (JCPT1523RTL)	1
	00007324	Lowering valve harness (JCPT1823RTL)	1
14	00007965	Pressure sensor harness	1

501.2 Electrical Harness (Perkins)



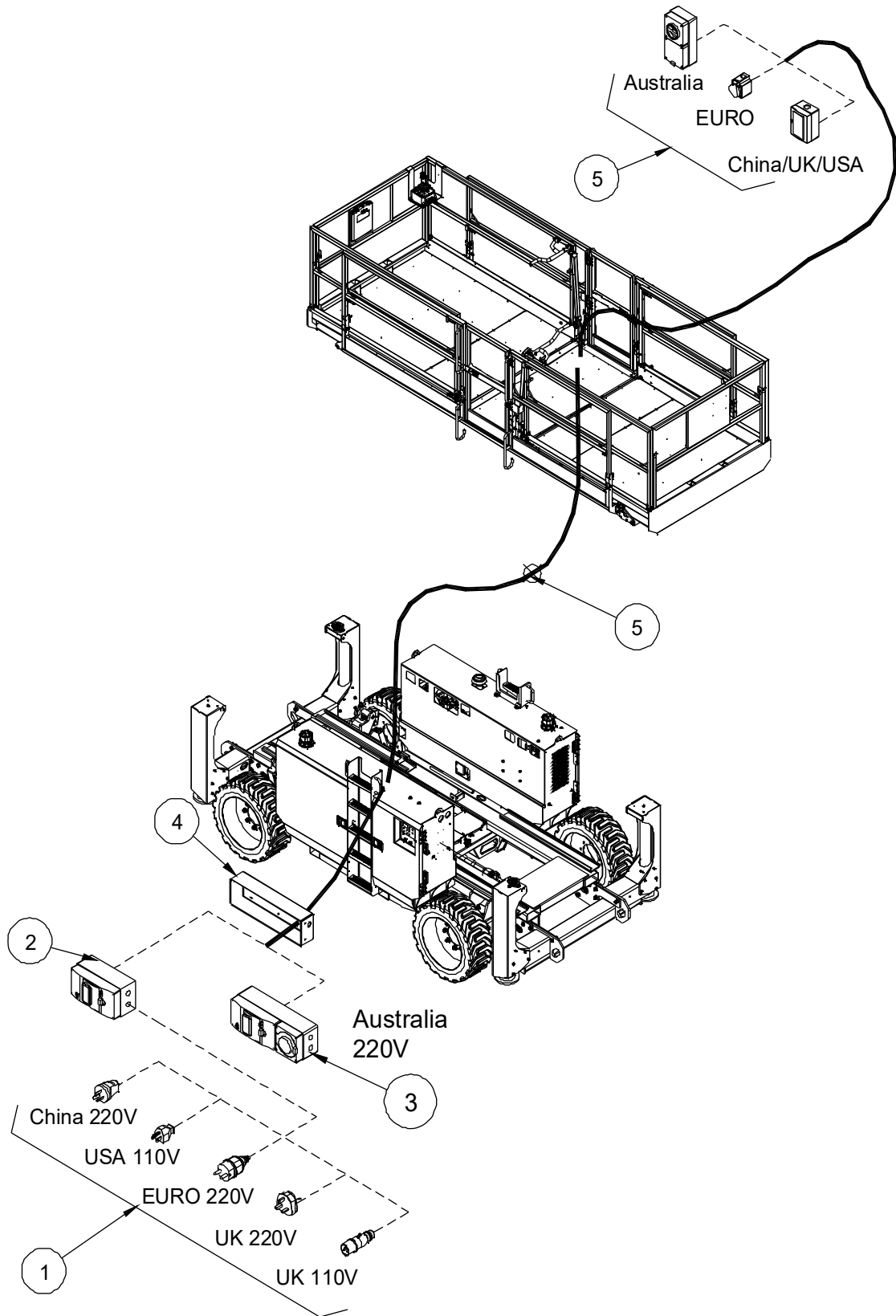
501.2 Electrical Harness (Perkins)



501.2 Electrical Harness (Perkins)

Item	Part No.	Description	Qty.
1	00010496	Ground control box harness	1
2	00010501	CT4 harness	1
3	00010499	CT3 harness	1
4	00010696	CT2 harness	1
5	00010497	CT1 harness	1
6	00010797	Rear Outrigger harness	1
7	00010846	Engine negative harness	1
8	00010503	Start motor harness	1
9	00010800	Emergency pump negative harness	1
10	00010799	Emergency pump positive harness	1
11	00010798	Emergency pump fuse harness	1
12	00010502	Battery positive harness	1
13	00007323	Lowering valve harness (JCPT1523RTL)	1
	00007324	Lowering valve harness (JCPT1823RTL)	1
14	00007965	Pressure sensor harness	1

502.1 Power to Platform

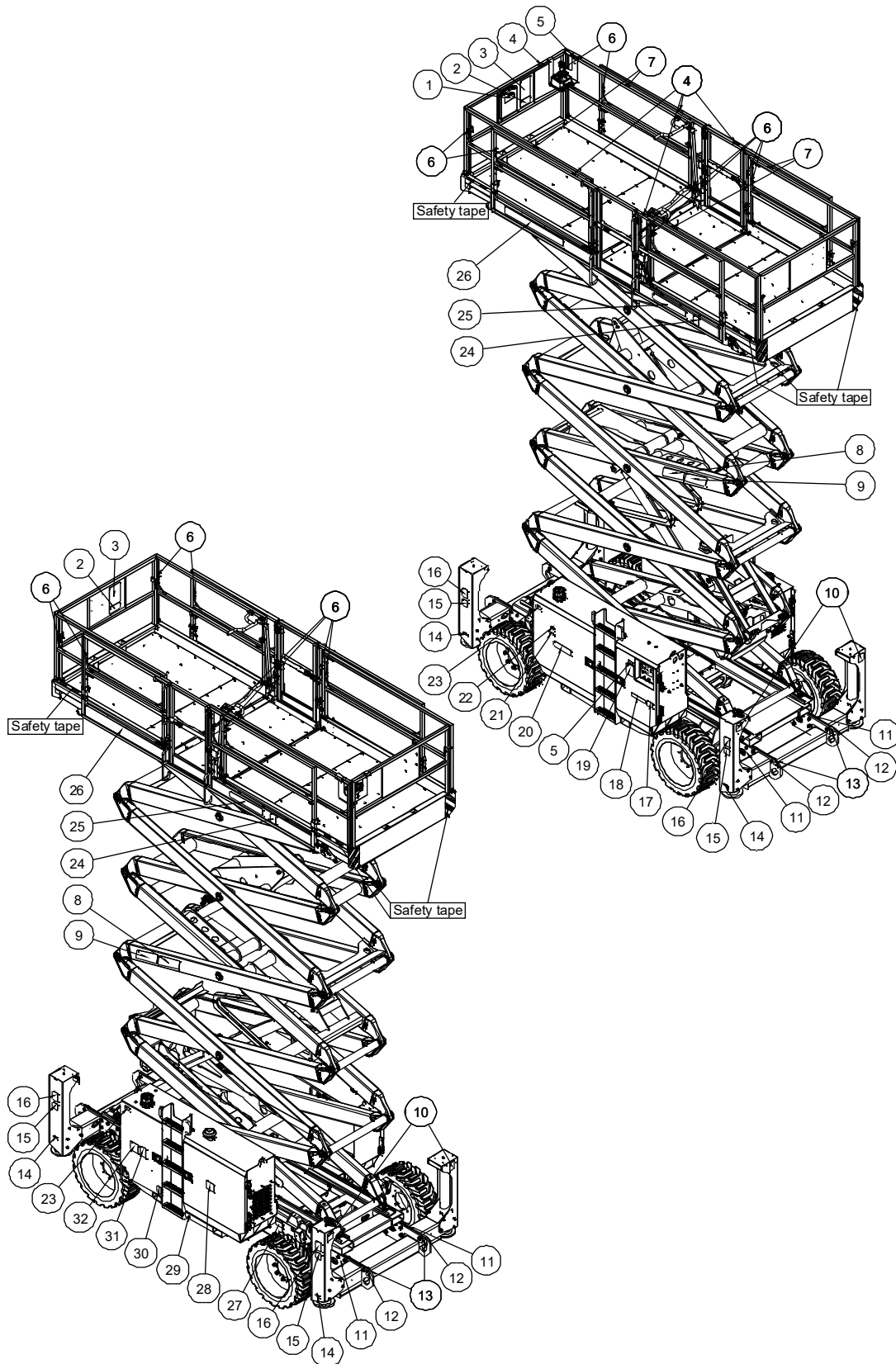


502.1 Power to Platform

Item	Part No.	Description	Qty.
1	00003148	AC plug (China 220V)	1
	00003149	AC plug (USA 110V)	1
	00003151	AC plug (European 220V)	1
	00003150	AC plug (UK 220V)	1
	00002615	AC plug (UK 110V)	1
2	00002634	Circuit breaker (Option)	1
3	00002603	AC plug (Australia 220V)	1
4	10005291	Circuit breaker bracket	1
5	00004694	Wire cable, platform AC power (JCPT1523RTL)	1
	00004695	Wire cable, platform AC power (JCPT1823RTL)	1
6		Platform AC socket (UK)	1
--	00004771	AC socket (UK)	1
--	10015580	AC socket bracket (UK)	1
7		Platform AC socket (China/USA)	1
--	00000668	AC socket (China/USA)	1
--	10009657	AC socket bracket (China/USA)	1
8	00002709	AC socket (European)	1
9		Platform AC socket (Australia)	1
--	00002617	AC socket (Australia)	1
--	10009657	AC socket bracket (Australia)	1

Section 6 Decal

601.1 Decals with Words



601.1 Decals with Words

Item	Part No.	Description	Qty.
1	09340001	Decal, Notice-Keep the manual with the machine	1
2	09440119	Decal, Danger-Tip-over hazard, tilt-alarm	2
3	09440001	Decal, Danger-General safety rules	2
4	09340070	Decal, Symbols-Non operating hand position	5
5	09340003	Decal, Instructions-Refer the operator to the instructions for use	2
6	09440059	Decal, Label-Lanyard anchorage point	16
7	09440212	Decal, Warning-Crushing hazard	4
8	09430003	Decal, Danger-Keep away from moving parts	2
9	09430001	Decal, Danger-Safety arm	2
10	09420005	Decal, Warning-Collision hazard	4
11	09310470	Decal, Instructions-Maximum wheel load 2480kg (JCPT1523RTL)	4
	09310471	Decal, Instructions-Maximum wheel load 2680kg (JCPT1823RTL)	4
12	09310050	Decal, Instructions-Tie down point	4
13	09310049	Decal, Instructions-Lift point	4
14	09310473	Decal, Instructions-Maximum outrigger load 2480kg (JCPT1523RTL)	4
	09310474	Decal, Instructions-Maximum outrigger load 2680kg (JCPT1823RTL)	4
15	09410157	Decal, Symbols-Outrigger using warning	4
16	09410069	Decal, Warning-Crushing hazard, outrigger	4
17	09410239	Decal, Symbols-Slope rating (JCPT1523RTL)	1
	09410234	Decal, Symbols-Slope rating (JCPT1823RTL)	1
18	09310144	Decal, Instructions-Diesel	2
19	09410003	Decal, Warning-Inspected and operation properly	1
20	09310146	Decal, Instructions-Hydraulic	2
21	09310053	Decal, Instructions-Lowest oil level	1
22	09310052	Decal, Instructions-Highest oil level	1
23	09540001	Decal, Label-CE	2

601.1 Decals with Words

Item	Part No.	Description	Qty.
24	09440007	Decal, Caution-Max. manual force 400N	2
25	09440075	Decal, Label-Capacity 680kg (JCPT1523RTL)	2
	09440369	Decal, Label-Capacity 680kg (JCPT1823RTL)	2
26	09640296	Decal, Cosmetic-JCPT1523RTL (JCPT1523RTL)	2
	09640297	Decal, Cosmetic-JCPT1823RTL (JCPT1823RTL)	2
27	09410005	Decal, Danger-Do not alter or disable limit switch	2
28	09410073	Decal, Caution-Restricting access compartment	1
29	09410186	Decal, Symbols-High temperature	1
30	09410136	Decal, Notice-Main power switch operation	2
31	09410071	Decal, Warning-Injection hazard	1
32	09410001	Decal, Danger-Explosion/burn hazard	1

601.1 Decals with Words

① 09340001

② 09440119

③ 09440001

④ 09340070

⑧ 09430003

⑤ 09340003

⑥ 09440059

⑨ 09430001

⑦ 09440212

⑩ 09420005

⑪ 09310470

⑫ 09310050

⑬ 09310049

⑭ 09310473

⑪ 09310471

⑮ 09410157

⑯ 09410069

⑰ 09410239

⑰ 09410234

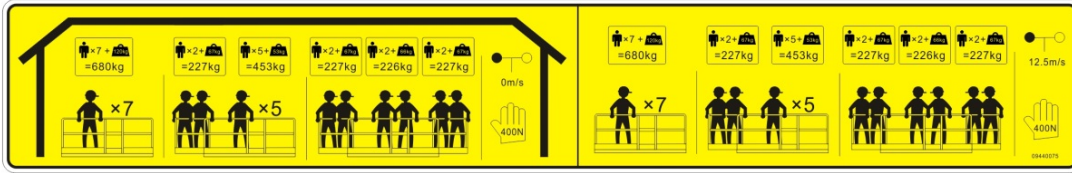
⑱ 09410003

⑲ 09310144

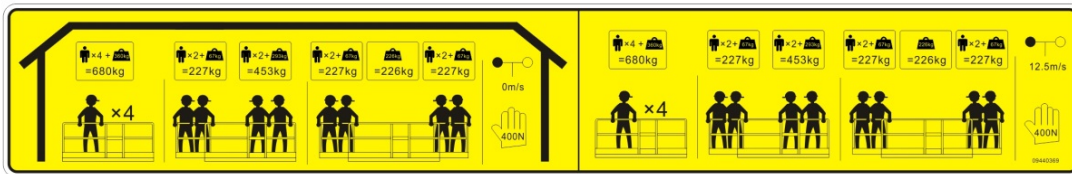
⑳ 09310146

601.1 Decals with Words

25 09440075



25 09440369



26 09640296

JCPT1523RTL

26 09640297

JCPT1823RTL

21 09310053



23 09540001



24 09440007



28 09410073



22 09310052



27 09410005



29 09410186



30 09410136



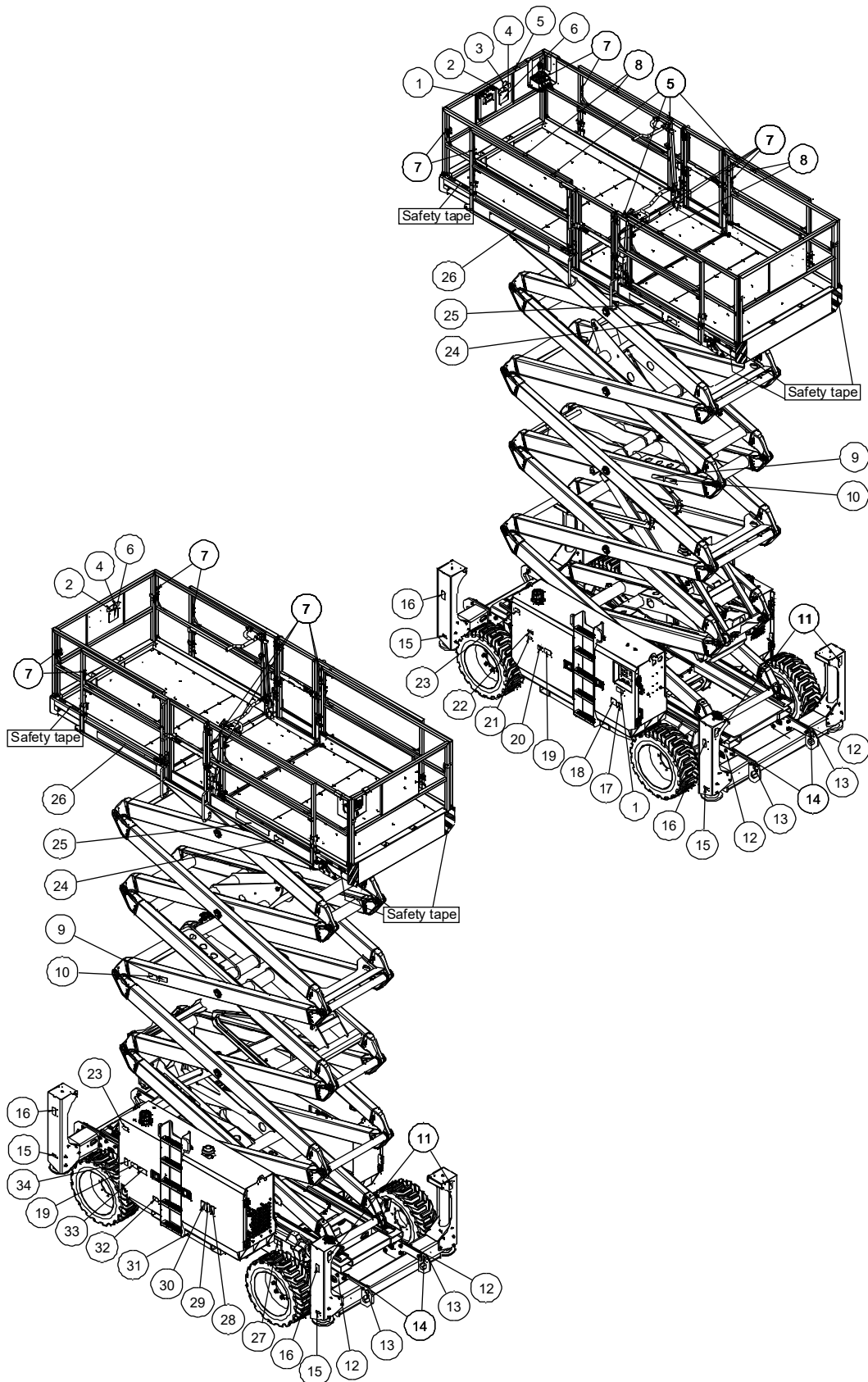
31 09410071



32 09410001



602.1 Decals with Symbols



602.1 Decals with Symbols

Item	Part No.	Description	Qty.
1	09340026	Decal, Symbols-Refer the operator to the instructions for use	2
2	09440094	Decal, Symbols-Tip-over hazard, outrigger	2
3	09340028	Decal, Instructions-Directional arrows	1
4	09440090	Decal, Symbols-Tip-over hazard, tilt-alarm	2
5	09340070	Decal, Symbols-Non operating hand position	5
6	09440091	Decal, Symbols-General safety rules	2
7	09440089	Decal, Label-Lanyard anchorage point	16
8	09440212	Decal, Warning-Crushing hazard	4
9	09430009	Decal, Symbols-Keep away from moving parts	2
10	09430008	Decal, Symbols-Safety arm	2
11	09410043	Decal, Symbols-Collision hazard	5
12	09310470	Decal, Instructions-Maximum wheel load 2480kg (JCPT1523RTL)	4
	09310471	Decal, Instructions-Maximum wheel load 2680kg (JCPT1823RTL)	4
13	09310050	Decal, Instructions-Tie down point	4
14	09310049	Decal, Instructions-Lift point	4
15	09310473	Decal, Instructions-Maximum outrigger load 2480kg (JCPT1523RTL)	4
	09310474	Decal, Instructions-Maximum outrigger load 2680kg (JCPT1823RTL)	4
16	09410042	Decal, Symbols-Crushing hazard	4
17	09310072	Decal, Instructions-Diesel	2
18	09410239	Decal, Symbols-Slope rating	1
	09410234	Decal, Symbols-Slope rating	1
19	09410049	Decal, Symbols-Electrocution hazard	2
20	09310073	Decal, Instructions-Hydraulic Oil	2
21	09310053	Decal, Instructions-Lowest Hydraulic Oil Level	1
22	09310052	Decal, Instructions-Highest Hydraulic Oil Level	1
23	09540001	Decal, Label-CE	2

602.1 Decals with Symbols

Item	Part No.	Description	Qty.
24	09440072	Decal, Symbols-Max. manual force 400N	2
25	09440075	Decal, Label-Capacity 680kg (JCPT1523RTL)	2
	09440369	Decal, Label-Capacity 680kg (JCPT1823RTL)	2
26	09640296	Decal, Cosmetic- JCPT1523RTL (JCPT1523RTL)	2
	09640297	Decal, Cosmetic-JCPT1823RTL (JCPT1823RTL)	2
27	09410051	Decal, Symbols-Do not alter or disable limit switch	1
28	09410044	Decal, Symbols-Burn hazard	
29	09410045	Decal, Symbols-Entanglement hazard	1
30	09410046	Decal, Symbols-Electrocution hazard	1
31	09410186	Decal, Symbols-High temperature	1
32	09310078	Decal, Symbols-Main power switch operation	1
33	09410048	Decal, Symbols-Explosion/burn hazard	1
34	09410050	Decal, Symbols-Injection hazard	1

602.1 Decals with Symbols

① 09340026 	② 09440094 	③ 09340028 	⑤ 09340070 	④ 09440090
⑥ 09440091 	⑨ 09430009 	⑪ 09410043 	⑦ 09440089 	⑧ 09440212
⑩ 09430008 	⑫ 09310470 	⑫ 09310471 	⑮ 09410042 	⑮ 09410042
⑬ 09310050 	⑭ 09310049 	⑯ 09310473 	⑰ 09310072 	⑱ 09410239
⑰ 09310474 	⑲ 09410049 	⑳ 09310073 	⑳ 09310052 	⑳ 09410234
⑳ 09310073 	㉑ 09310053 	㉒ 09310052 	㉓ 09540001 	㉓ 09540001
㉒ 09310052 	㉔ 09410044 	㉕ 09410045 	㉖ 09410046 	㉖ 09410046
㉕ 09410045 	㉗ 09410051 	㉘ 09410044 	㉙ 09410045 	㉙ 09410045
㉘ 09410044 	㉚ 09440072 	㉛ 09410044 	㉜ 09410045 	㉜ 09410045
㉜ 09410045 	㉝ 09440075 	㉝ 09410044 	㉞ 09410045 	㉞ 09410045
㉞ 09440075 	㉟ 09440369 	㉟ 09410044 	㊱ 09410186 	㊱ 09410186
㊱ 09410186 	㊲ 09440369 	㊲ 09310078 	㊳ 09410050 	㊳ 09410050
㊳ 09410050 	㊴ 09640296 JCPT1523RTL	㊴ 09310078 	㊴ 09410050 	㊴ 09410050
㊴ 09640296 JCPT1523RTL	㊵ 09640297 JCPT1823RTL	㊵ 09410048 	㊵ 09410048 	㊵ 09410048
㊵ 09640297 JCPT1823RTL		㊶ 09410048 	㊶ 09410048 	㊶ 09410048

DINGLI AWP INDIA PRIVATE LIMITED

Address: Sahney Towers, 81, First Floor, Poonamallee High Road, Nerkundram,

Chennai, Tamil Nadu - 600 107

Telephone: +91-98846 48464

E-mail: support@dinglisaarc.com

Website: www.dinglisaarc.com

DINGLI