

# DINGLI

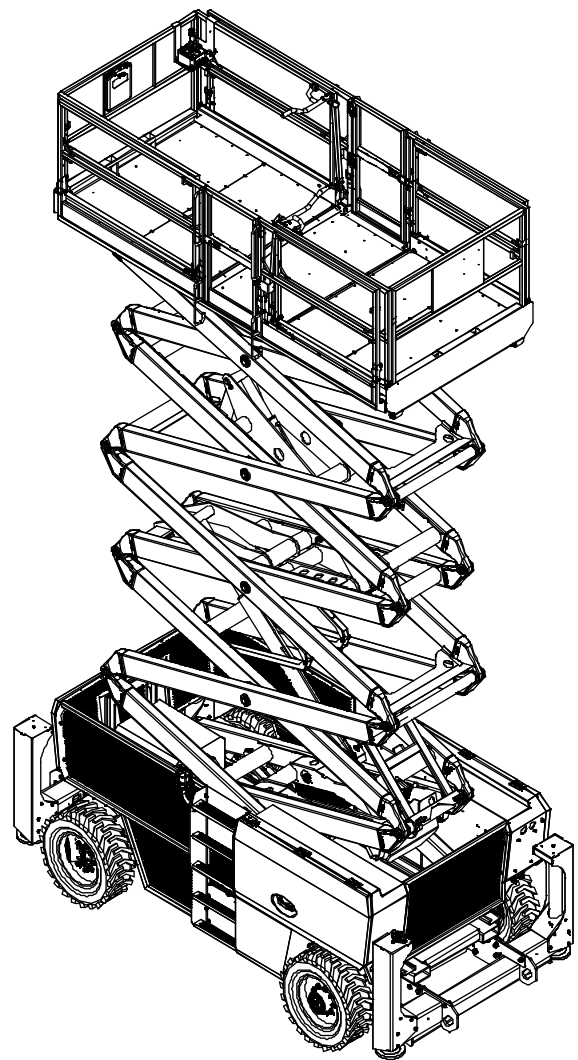
*Exceed · New Height*

## Parts Manual

JCPT1523DCB

JCPT1823DCB

From SN  
JPR1523222K0085-JPR1523223F0757  
JPR1523023G0073-JPR1523023G0216  
JPD1823223E0523-JPD1823223F0329



**CE ANSI**

Part Number: SM012120121

Version Number: Rev1.1

July 2023 Printing

# DINGLI



## Foreword

We are very appreciated for your interesting with Dingli machine and choosing it for your application. Our priority above all is you can use the machine safely for your application and you can benefit from the Dingli machine mostly. For these reason we hope you can:

1. Comply with employer, job site and local governmental rules.
2. Safeguard your commitment to quality by always using genuine Dingli spare parts. Remember, Dingli cannot accept responsibility for the failure of a separator equipped with non-original spare parts. We guarantee the quality and reliability of our products.
3. All sketch maps of parts shown in this manual are for reference only, it is the practical that counts. This manual includes all the latest information up to the date when it was printed. All responsibilities for the revision and explanation of the manual rest with the Dingli. We also preserve the right to edit the technology characteristic and content of the manual.
4. Anyone who read the manual or used the machine, is encouraged to notify Dingli Machinery Co, Ltd of any errors or send in suggestions for improvement. All communications will be carefully considered for future printings of this and other manuals, certainly if you have any question about the machine, please contact with our team by dialing technical support phone, sending email, or any methods you want, etc. Our contact information as bellow:

Please contact with:

**DINGLI AWP INDIA PRIVATE LIMITED**

**Phone:** +91-98846 48464

**Email:** support@dinglisaarc.com



## Table of Contents

### Section 1 Chassis

101.1	Steer Axle Assembly Installation.....	4
102.1	Steer Axle Linkage .....	6
103.1	Wheels and Drive Hubs .....	8
104.1	Non-Steer Axle Assembly .....	11
105.1	Pump Assembly .....	14
106.1	Hydraulic Tray Installation .....	17
107.1	Hydraulic Tray Door Installation.....	19
108.1	Hydraulic Tank and Manifolds Installation.....	21
109.1	Hydraulic Tank Assembly .....	23
110.1	Function Manifold Assembly .....	26
111.1	Ground Control Tray Installation .....	28
112.1	Ground Control Tray Door Installation.....	30
113.1	Battery and Ground Control Installation.....	32
114.1	Electrical Accessory Assembly .....	35
115.1	Ground Control Box Assembly.....	37
116.1	Link Guard and Ladder.....	40
117.1	Beacon Assembly.....	43
118.1	Ladder and Oil Cooler Assembly .....	44
119.1	Outrigger Installation .....	45
120.1	Outrigger Assembly.....	46
121.1	Chassis Accessory Installation .....	49
122.1	Dual power switch assembly .....	51

### Section 2 Scissor

201.1	Scissor Assembly (JCPT1823DCB).....	53
201.2	Scissor Assembly (JCPT1523DCB).....	55
202.1	Scissor Arm Assembly 5.....	57
203.1	Slider Assembly .....	60
204.1	Scissor Arm Assembly 1.....	61
205.1	Safety Arm Assembly .....	64
206.1	Scissor Arm Assembly 2-3 (JCPT1823DCB) .....	66
207.1	Cable Routing Device Assembly .....	68
208.1	Scissor Arm Assembly 2-3 (JCPT1523DCB) .....	70
209.1	Scissor Arm Assembly 4 (JCPT1823DCB) .....	72

**Section 3 Platform**

301.1	Platform Assembly (Standard Platform) .....	74
301.2	Platform Assembly (Extended Platform).....	76
302.1	Main Platform Assembly (Standard Platform).....	78
302.2	Main Platform Assembly (Extended Platform).....	81
303.1	Support Roller Assembly (Standard Platform).....	84
303.2	Support Roller Assembly (Extended Platform).....	85
304.1	Side Roller Assembly.....	86
305.1	Front Platform Extension Assembly (Standard Platform).....	87
305.2	Front Platform Extension Assembly (Extended Platform).....	90
306.1	Rear Platform Extension Assembly (Standard Platform).....	93
306.2	Rear Platform Extension Assembly (Extended Platform).....	96
307.1	Platform Locking Device Assembly.....	99
308.1	Platform Control Box Assembly.....	101

**Section 4 Hydraulic System**

401.1	Lower Lift Cylinder Assembly.....	103
402.1	Upper Lift Cylinder Assembly (JCPT1823DCB).....	105
403.1	Left Steer Cylinder Assembly.....	107
404.1	Right Steer Cylinder Assembly.....	108
405.1	Outrigger Cylinder Assembly.....	109
405.2	Outrigger Cylinder Assembly.....	111
405.3	Outrigger Cylinder Assembly.....	113
405.4	Outrigger Cylinder Assembly.....	115
406.1	Function Manifold.....	117
406.2	Function Manifold.....	119
407.1	Hydraulic Hoses and Fittings (JCPT1523DCB).....	121
407.2	Hydraulic Hoses and Fittings (JCPT1823DCB).....	123
408.1	Hydraulic Hoses and Fittings-Outrigger.....	126

**Section 5 Electrical System**

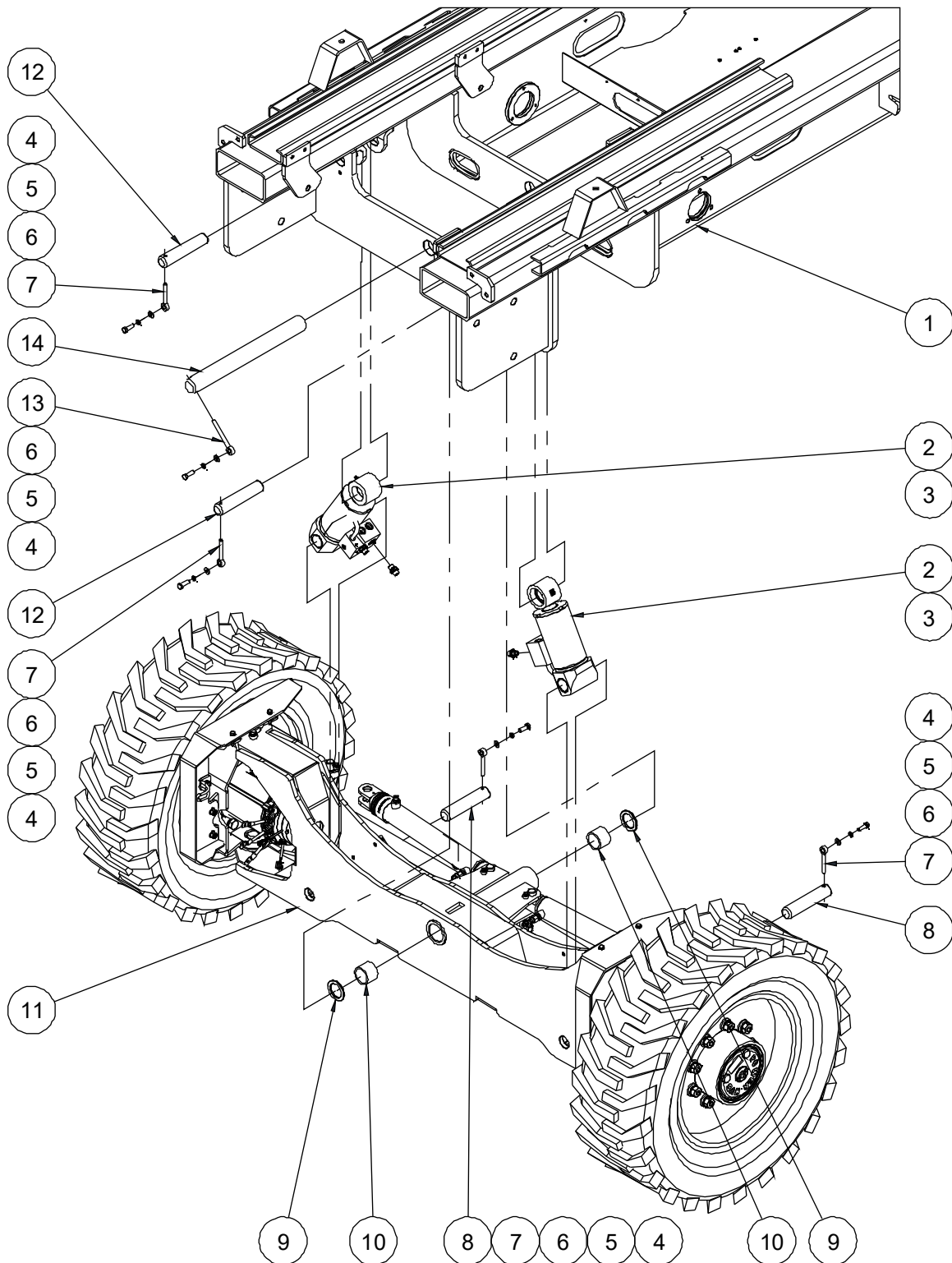
501.1	Electrical Harness.....	129
502.1	Power to Platform.....	132

**Section 6 Decal**

601.1	Decals with Words.....	135
602.1	Decals with Symbols.....	140

# Section 1 Chassis

### 101.1 Steer Axle Assembly Installation

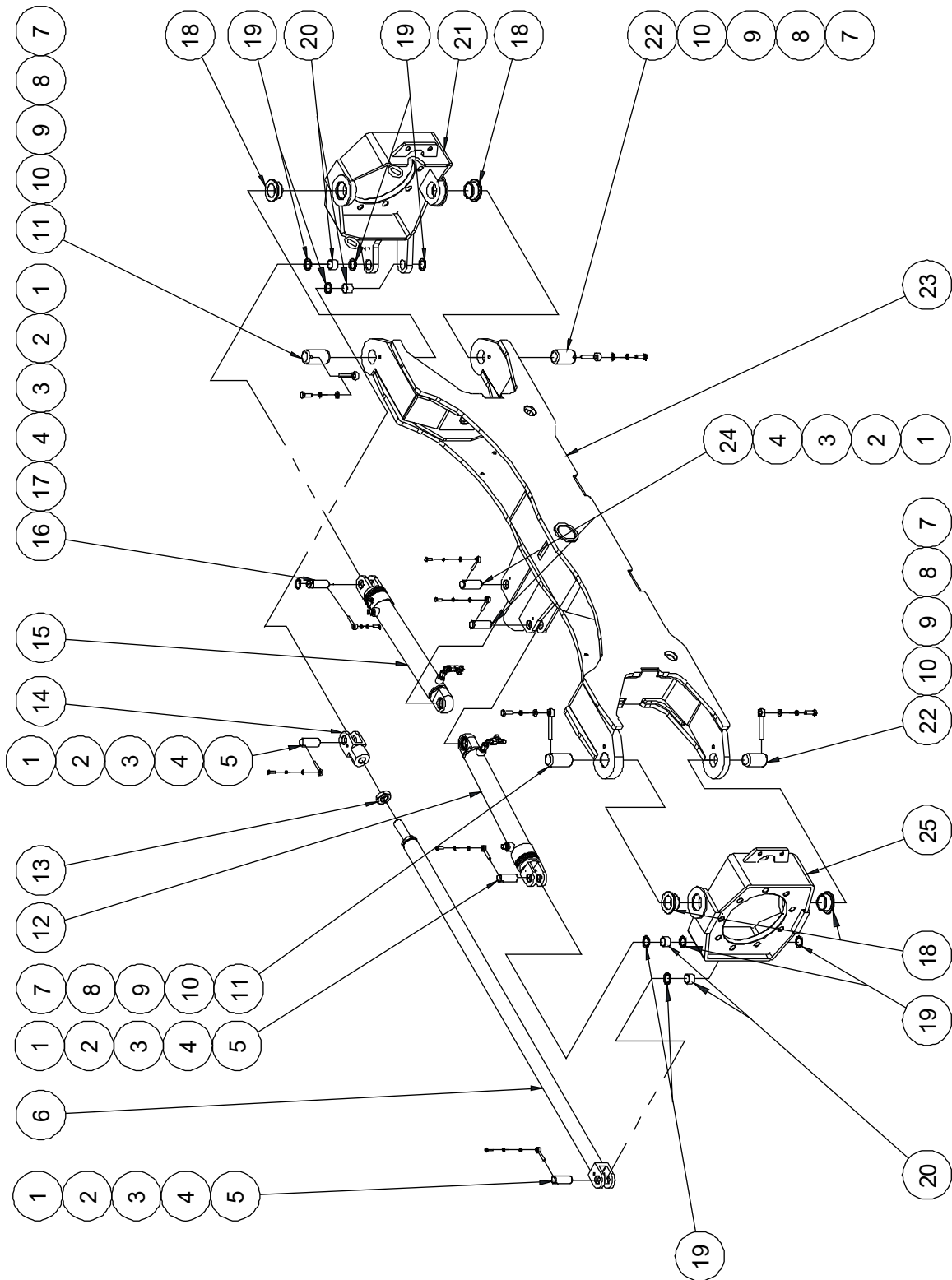




**101.1 Steer Axle Assembly Installation**

Item	Part No.	Description	Qty.
1	10019069	Frame weldment	1
2	10004333	Oscillate cylinder	2
--	00003373	Counterbalance valve spool	1
--	00005325	Seal kit	1
3	00001291	Straight fitting	4
4	00000683	Bolt GB/T 5783 M10×30	5
5	00000679	Washer GB/T 93 10	5
6	00000615	Washer GB/T 97.1 10	5
7	00000220	8902-10080 Pin	4
8	00004541	895-38.1×155 Pin	2
9	10003621	Washer	2
10	00000422	8813-455540 Bearing	2
11		Font axle assembly (refer to 102.1, 103.1)	1
12	00004542	895-35160 Pin	2
13	00002481	8902-10100 Pin	1
14	00000121	895-45440 Pin	1

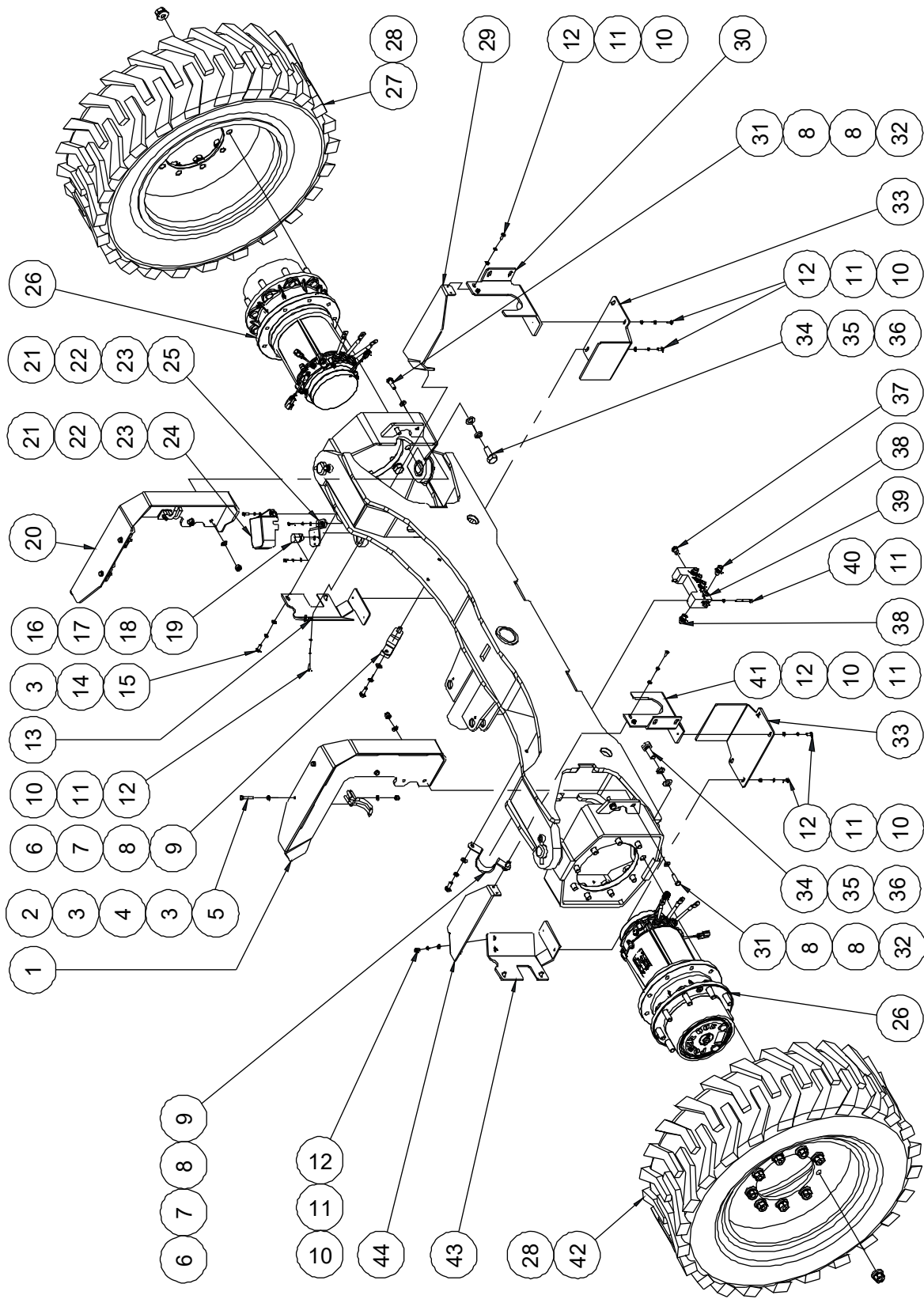
### 102.1 Steer Axle Linkage



**102.1 Steer Axle Linkage**

Item	Part No.	Description	Qty.
1	00000743	Bolt GB/T 5783 M6×20	6
2	00000621	Washer GB/T 93 6	6
3	00000620	Washer GB/T 97.1 6	6
4	00000217	8902-06045 Pin	6
5	00000020	895-24055 Pin	3
6	10003698	Tie rod weldment	1
7	00000683	Bolt GB/T 5783 M10×30	4
8	00000679	Washer GB/T 93 10	4
9	00000615	Washer GB/T 97.1 10	4
10	00000220	8902-10080 Pin	4
11	00000107	895-40070 Pin	2
12		Right steer cylinder assembly (without seal kit) (refer to 404.1)	1
13	10002548	Nut M24×1.5	1
14	10003702	Clevis yoke	1
15		Left steer cylinder assembly (without seal kit) (refer to 403.1)	1
16	10017361	Pin	1
17	00000928	Circlips GB/T 894.1-24	1
18	00000199	8821-4025 Bearing	4
19	10003613	Washer	8
20	00000364	8812-242820 Bearing	4
21	10016685	Steer yoke weldment	1
22	00000106	895-40059 Pin	2
23	10019334	Steer axle weldment	1
24	00000023	895-25060 Pin	2
25	10016681	Steer yoke weldment	1

### 103.1 Wheels and Drive Hubs



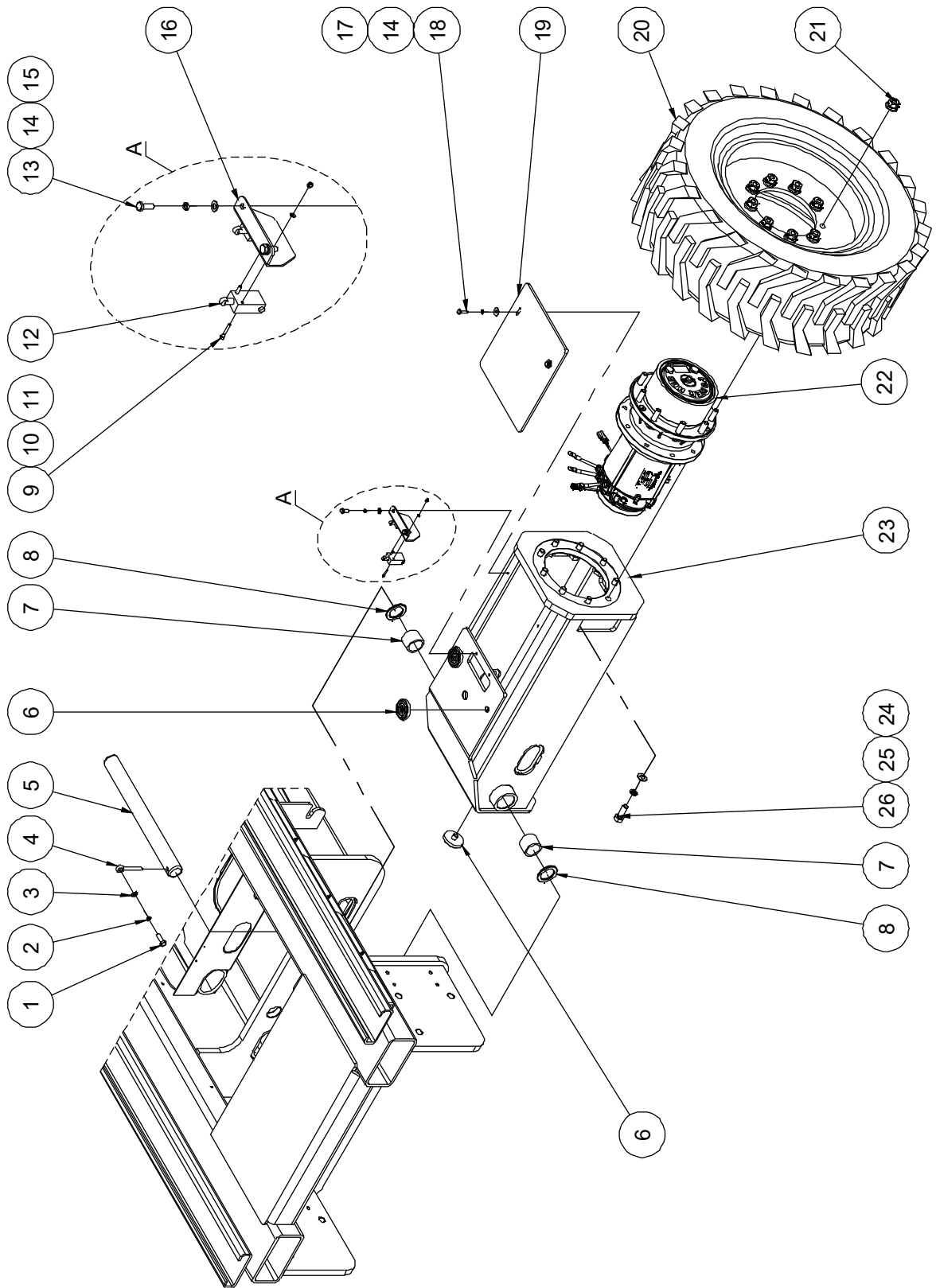
**103.1 Wheels and Drive Hubs**

Item	Part No.	Description	Qty.
1	50002878	Yoke guard	1
2	00000994	Nut GB/T 889.1 M8	6
3	00000608	Washer GB/T 97.1 8	12
4	10001580	Hose clamp	6
5	00002604	Bolt GB/T 5783 M8×40	6
6	00000678	Bolt GB/T 5783 M10×25	4
7	00000679	Washer GB/T 93 10	5
8	00000615	Washer GB/T 97.1 10	13
9	10014075	Hose clamp weldment	2
10	00000620	Washer GB/T 97.1 6	16
11	00000621	Washer GB/T 93 6	18
12	00000818	Bolt GB/T 5783 M6×16	16
13	10021457	Cover	1
14	00000609	Washer GB/T 93 8	4
15	00000875	Bolt GB/T 5783 M8×20	4
16	00000778	Washer GB/T 97.1 4	2
17	00000779	Washer GB/T 93 4	2
18	00001054	Screw GB/T 70.1 M4×12	2
19	00000644	Rotary sensor	1
20	50002882	Yoke guard	1
21	00000605	Washer GB/T 97.1 5	4
22	00000606	Washer GB/T 93 5	4
23	00001246	Screw GB/T 70.1 M5×16	4
24	10021465	Cover	1
25	10017362	Sensor bracket	1
26	00008142	Drive motor assembly	2
--	00008143	Reducer	2
--	10011238	Motor	2
--	00006313	Brake	2

**103.1 Wheels and Drive Hubs**

Item	Part No.	Description	Qty.
27	00008131	Wheel (black)	1
	00008470	Wheel (grey)	1
28	00002274	5/8-18UNF Nut	18
29	10021451	Cover	1
30	10021458	Cover	1
31	00000684	Bolt GB/T 5783 M10×35	4
32	00000623	Nut GB/T 6182 M10	4
33	10021459	Cover	2
34	00003103	5/8-11×1 3/4" Bolt ANSI B18.2.1	18
35	00001035	Washer GB/T 93 16	18
36	00000997	Washer GB/T 97.1 16	18
37	00001073	Plug VST114×1.5ED	2
38	00001290	Straight fitting	6
39	00006288	Transition manifold	1
40	00004299	Screw GB/T 70.1 M6×55	2
41	10021464	Cover	1
42	00008132	Wheel (black)	1
	00008471	Wheel (grey)	1
43	10021463	Cover	1
44	10021452	Cover	1

### 104.1 Non-Steer Axle Assembly



**104.1 Non-Steer Axle Assembly**

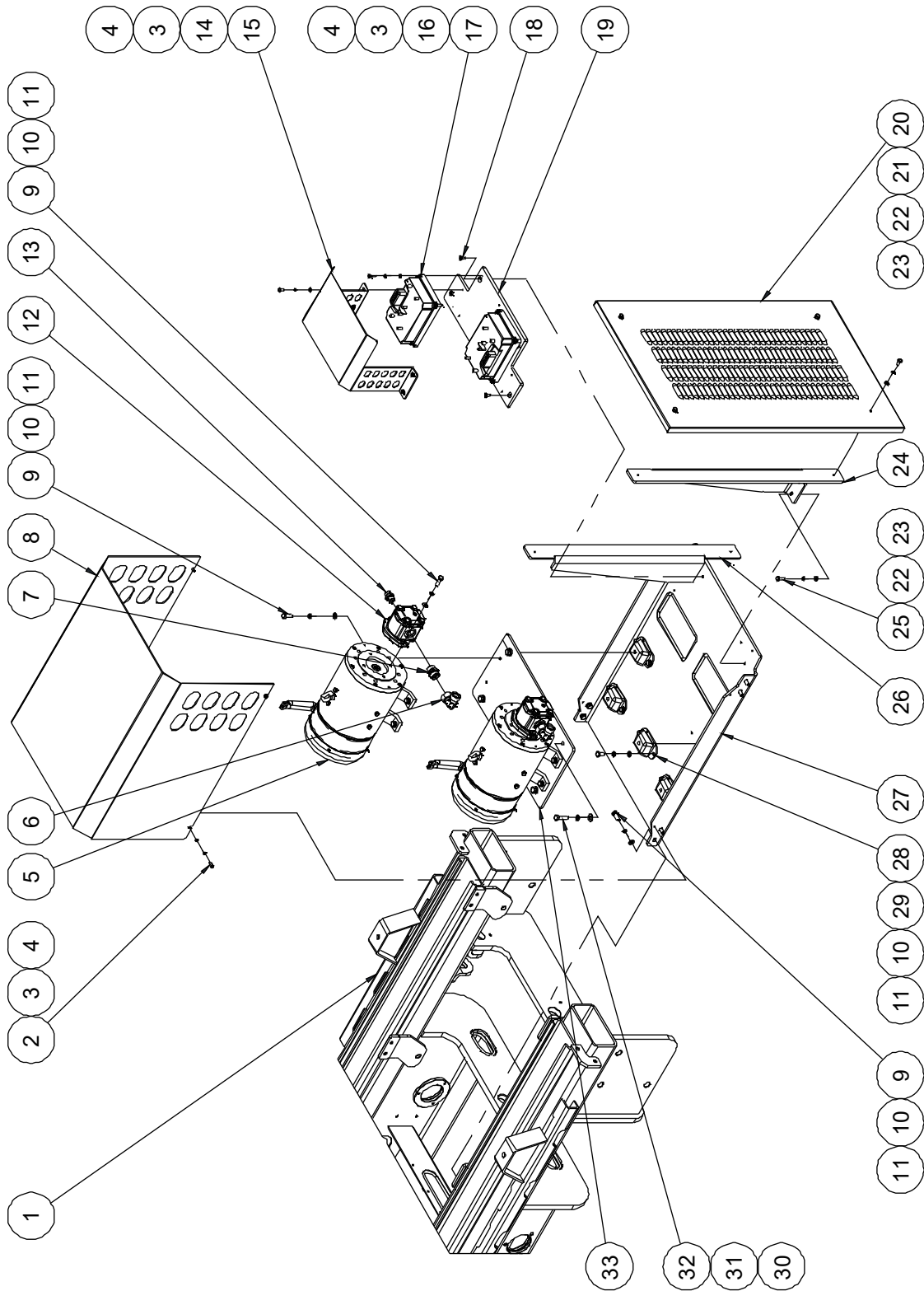
Item	Part No.	Description	Qty.
1	00000684	Bolt GB/T 5783 M10×35	1
2	00000679	Washer GB/T 93 10	1
3	00000615	Washer GB/T 97.1 10	1
4	00000220	8902-10080 Pin	1
5	00000122	895-45460 Pin	1
6	10003263	Block	3
7	00000422	8813-455540 Bearing	2
8	10003621	Washer	2
9	00002228	Screw GB/T 70.1 M4×25	4
10	00000778	Washer GB/T 97.1 4	4
11	00001236	Nut GB/T 889.1 M4	4
12	00008777	Limit switch	2
13	00000875	Bolt GB/T 5783 M8×20	2
14	00000609	Washer GB/T 93 8	4
15	00000608	Washer GB/T 97.1 8	2
16	10019060	Switch bracket	1
17	00002000	Washer GB/T 96.1 8	2
18	00000993	Bolt GB/T 5783 M8×25	2
19	10019338	Cover	1
20	00008132	Wheel (black)	1
	00008471	Wheel (grey)	1
21	00002274	5/8-18UNF Nut	9
22	00008142	Drive motor assembly	1
--	00008143	Reducer	1
--	10011238	Motor	1
--	00006313	Brake	1
23	10019336	Rear motor housing weldment	1
24	00000997	Washer GB/T 97.1 16	9
25	00001035	Washer GB/T 93 16	9



**104.1 Non-Steer Axle Assembly**

Item	Part No.	Description	Qty.
26	00003103	5/8-11×1 3/4" Bolt ANSI B18.2.1	9

### 105.1 Pump Assembly



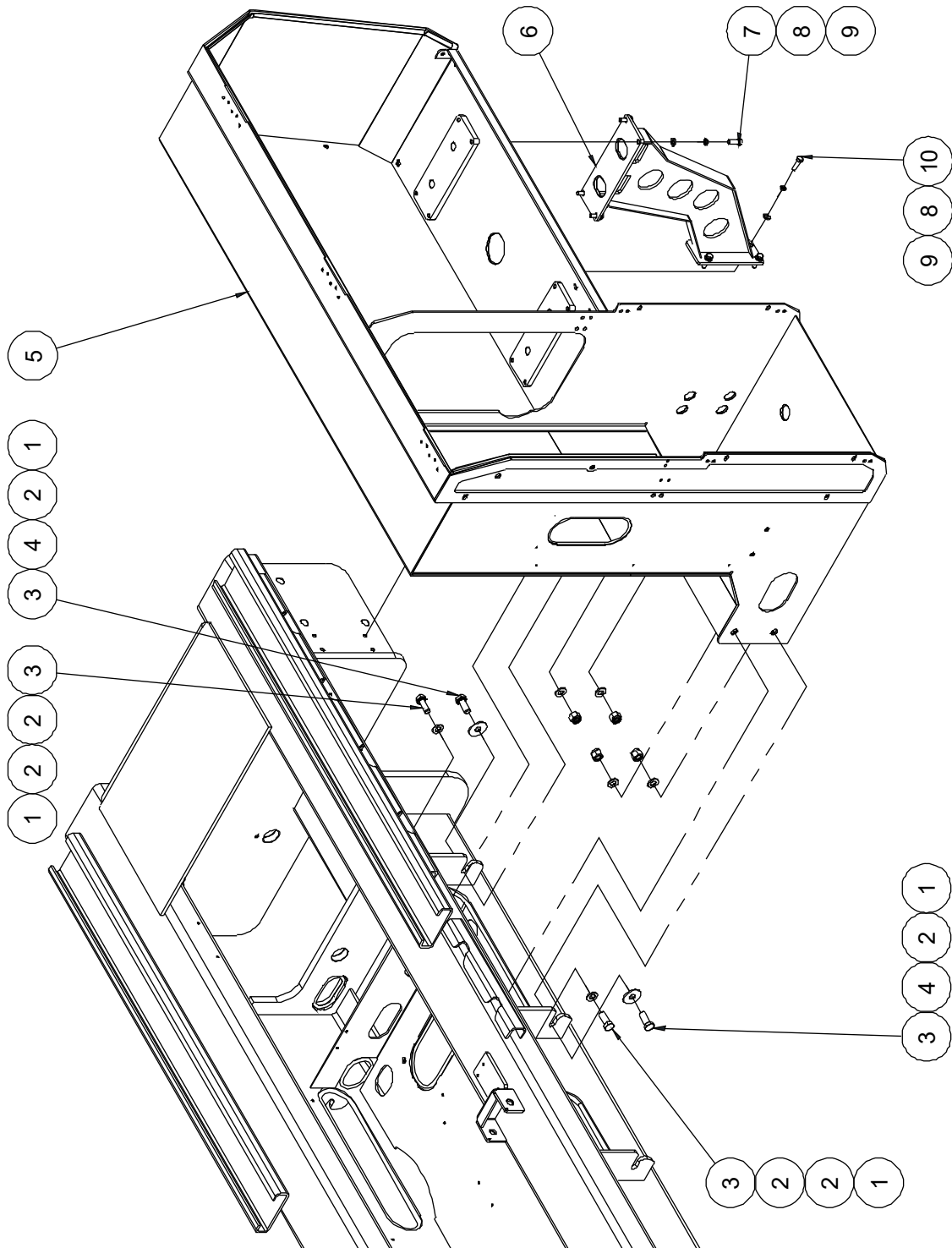
**105.1 Pump Assembly**

Item	Part No.	Description	Qty.
1	10019069	Frame weldment	1
2	00000745	Bolt GB/T 5783 M6×12	4
3	00000621	Washer GB/T 93 6	16
4	00000620	Washer GB/T 97.1 6	16
5	00007214	Motor	2
6	00001836	Elbow	2
7	00001512	Straight fitting	2
8	10016782	Cover	1
9	00000683	Bolt GB/T 5783 M10×30	20
10	00000679	Washer GB/T 93 10	28
11	00000615	Washer GB/T 97.1 10	28
12	00005728	Pump	2
13	00001506	Straight fitting	2
14	00000745	Bolt GB/T 5783 M6×12	4
15	10018141	Cover	1
16	00001034	Screw GB/T 70.1 M6×25	8
17	00000641	Motor controller	2
18	00000837	Screw GB/T 70.3 M8×16	4
19	10018140	Motor controller bracket	1
20	10016787	Pump grill	1
21	00001063	Bolt GB/T 5783 M8×16	4
22	00000609	Washer GB/T 93 8	8
23	00000608	Washer GB/T 97.1 8	8
24	10016789	Bracket	1
25	00000993	Bolt GB/T 5783 M8×25	4
26	10016786	Bracket	1
27	10016807	Pump tray	1
28	00002162	Absorber	4
29	00000674	Bolt GB/T 5783 M10×20	8

**105.1 Pump Assembly**

<b>Item</b>	<b>Part No.</b>	<b>Description</b>	<b>Qty.</b>
30	00000814	Washer GB/T 97.1 12	4
31	00000815	Washer GB/T 93 12	4
32	00001055	Bolt GB/T 5783 M12×40	4
33	10016780	Pump bracket	1

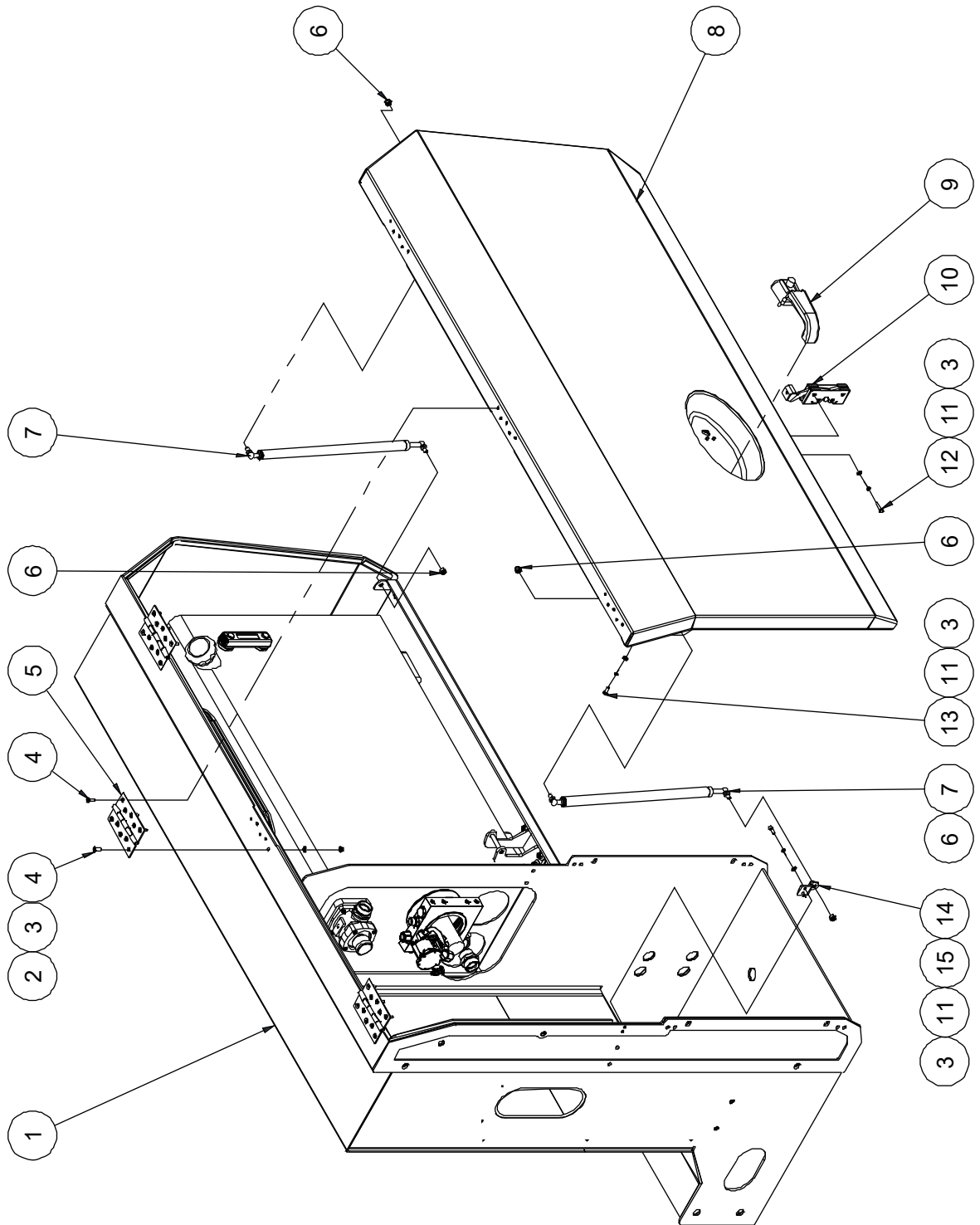
### 106.1 Hydraulic Tray Installation



**106.1 Hydraulic Tray Installation**

Item	Part No.	Description	Qty.
1	00001257	Nut GB/T 6182 M16	4
2	00000997	Washer GB/T 97.1 16	6
3	00001161	Bolt GB/T 5783 M16×40	4
4	00003071	Washer GB/T 96.1 16	2
5	10019612	Hydraulic tray weldment	1
6	10003764	Bracket weldment	1
7	00000683	Bolt GB/T 5783 M10×30	4
8	00000679	Washer GB/T 93 10	8
9	00000615	Washer GB/T 97.1 10	8
10	00000684	Bolt GB/T 5783 M10×35	4

### 107.1 Hydraulic Tray Door Installation

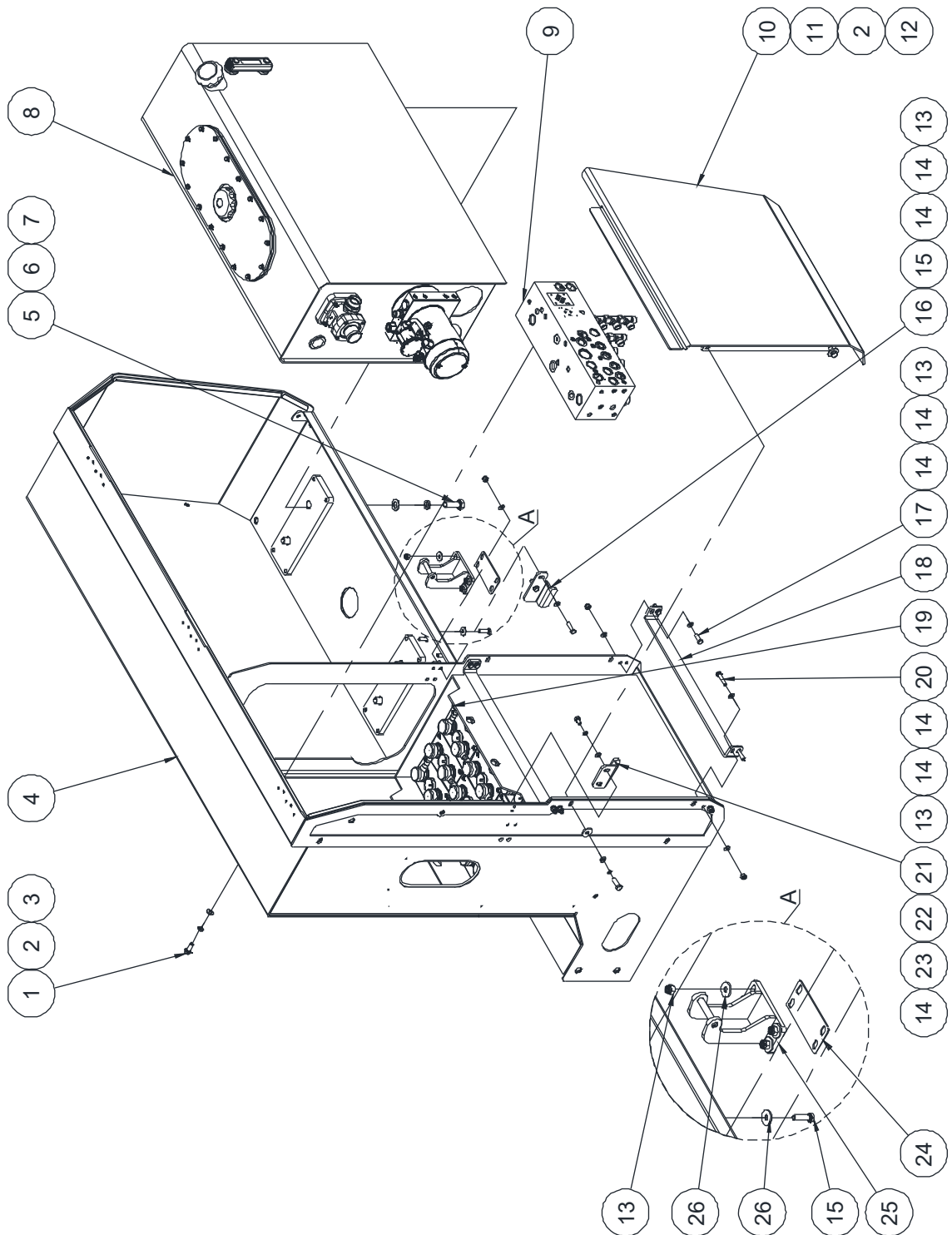


**107.1 Hydraulic Tray Door Installation**

Item	Part No.	Description	Qty.
1	10019612	Hydraulic tray weldment	1
2	00001033	Nut GB/T 6182 M6	15
3	00000620	Washer GB/T 97.1 6	24
4	00000831	Screw GB/T 70.3 M6×20	30
5	10004083	Hinge	3
6	00001163	Nut GB/T 6182 M8	4
7	10004088	Gas shock	2
8	10003735	Door	1
9	50000524	Handle	1
10	10003744	Latch	1
11	00000621	Washer GB/T 93 6	9
12	00000619	Bolt GB/T 5783 M6×25	4
13	00000818	Bolt GB/T 5783 M6×16	3
14	10019545	Gas shock bracket	1
15	00000876	Screw GB/T 70.1 M6×16	2



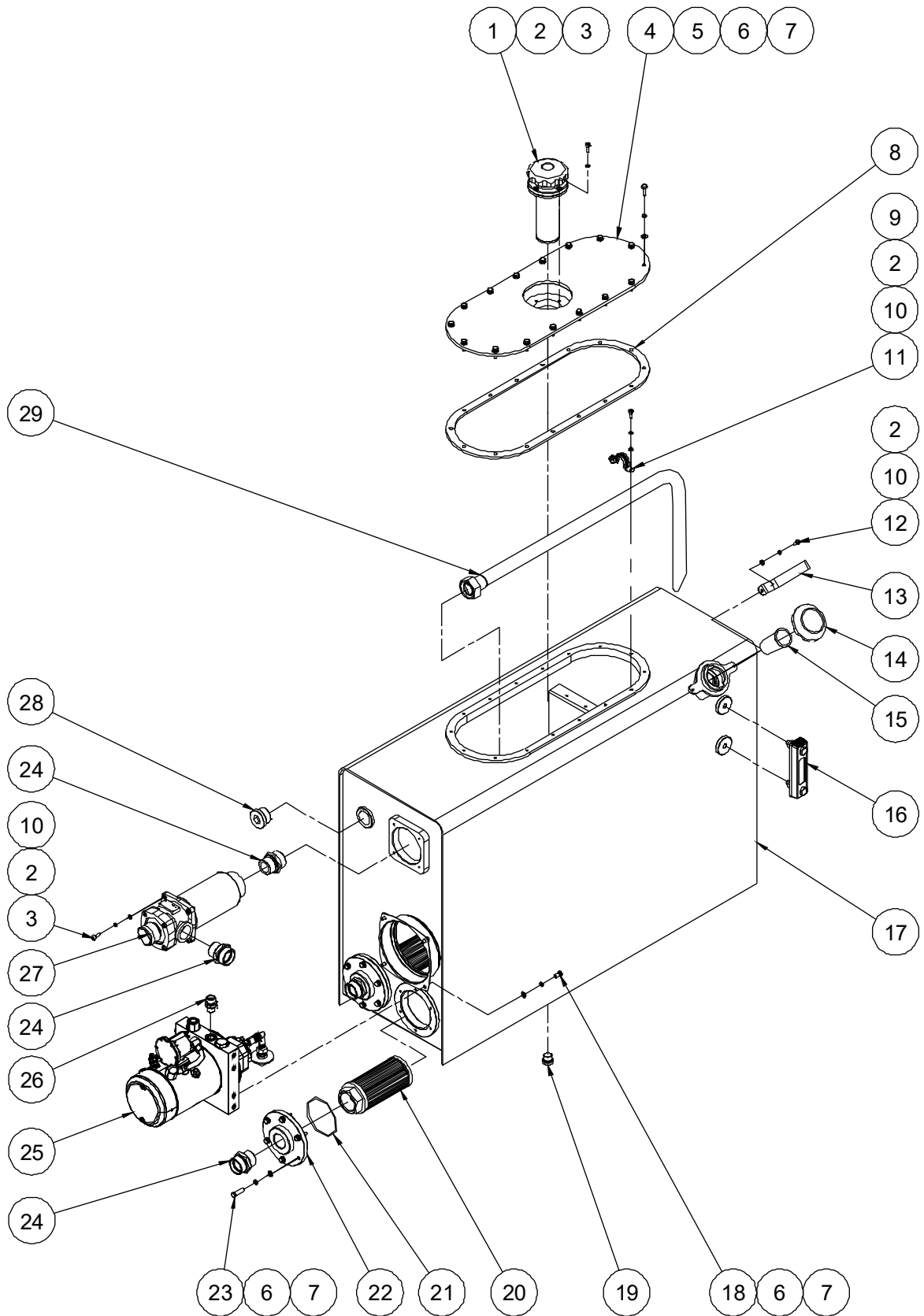
### 108.1 Hydraulic Tank and Manifolds Installation



**108.1 Hydraulic Tank and Manifolds Installation**

Item	Part No.	Description	Qty.
1	00000678	Bolt GB/T 5783 M10×25	4
2	00000679	Washer GB/T 93 10	8
3	00000615	Washer GB/T 97.1 10	4
4	10019612	Hydraulic tray weldment	1
5	00001057	Bolt GB/T 5783 M16×45	4
6	00001035	Washer GB/T 93 16	4
7	00000997	Washer GB/T 97.1 16	4
8		Hydraulic tank assembly (refer to 109.1)	1
9		Function manifold assembly (refer to 110.1)	1
10	10019615	Cover	1
11	00000683	Bolt GB/T 5783 M10×30	4
12	00001028	Washer GB/T 96.1 10	4
13	00001163	Nut GB/T 6182 M8	14
14	00000608	Washer GB/T 97.1 8	22
15	00000995	Bolt GB/T 5783 M8×30	6
16	10019620	Battery keeper plate	1
17	00000993	Bolt GB/T 5783 M8×25	4
18	10019600	Battery keeper bar	2
19	00008969	Battery	1
20	00002604	Bolt GB/T 5783 M8×40	4
21	10019622	Battery keeper plate	1
22	00001063	Bolt GB/T 5783 M8×16	2
23	00000609	Washer GB/T 93 8	2
24	10003751	Adjusting plate	1
25	10003747	Lock clasp	1
26	00002000	Washer GB/T 96.1 8	8

### 109.1 Hydraulic Tank Assembly



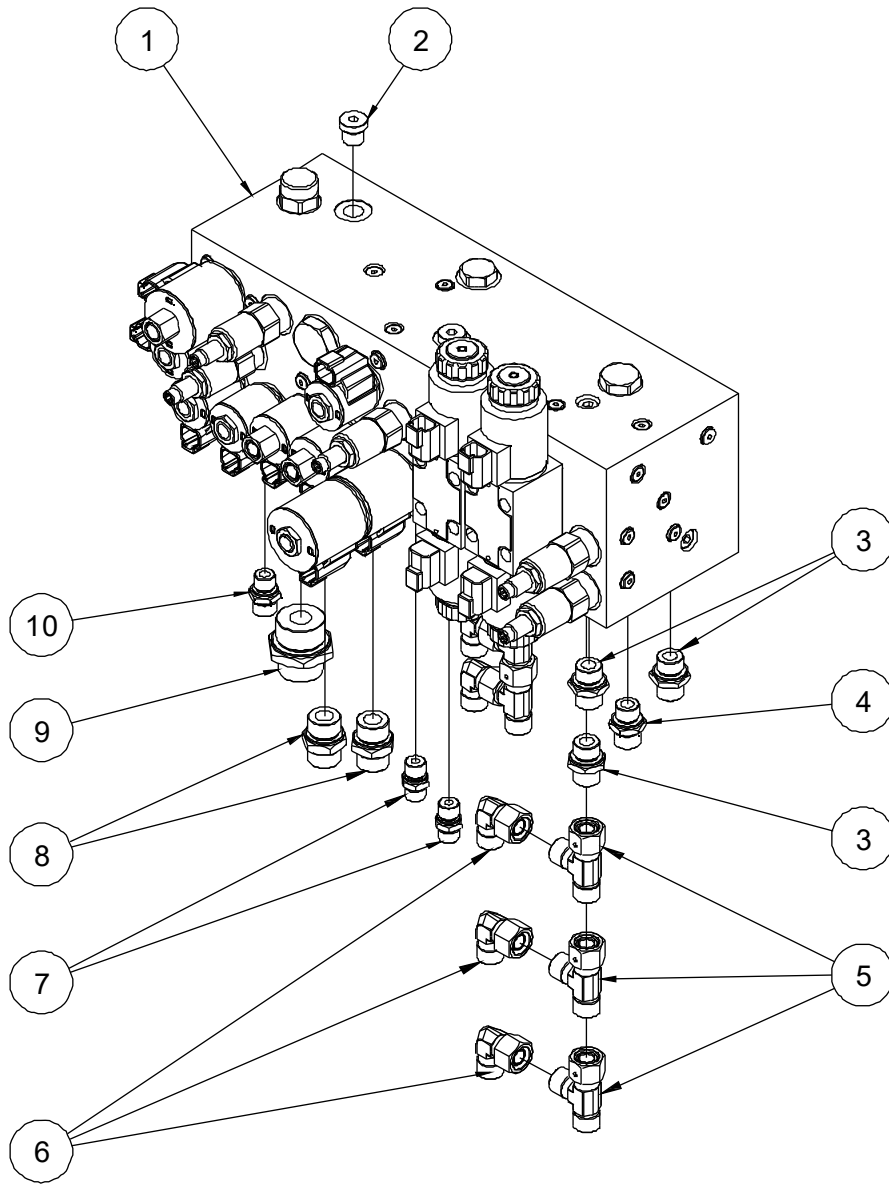
**109.1 Hydraulic Tank Assembly**

Item	Part No.	Description	Qty.
1	00000520	Air cleaner	1
2	00000606	Washer GB/T 93 5	12
3	00001246	Screw GB/T 70.1 M5×16	8
4	10003598	Cover weldment	1
5	00000743	Bolt GB/T 5783 M6×20	16
6	00000621	Washer GB/T 93 6	32
7	00000620	Washer GB/T 97.1 6	32
8	10003595	Rubber pad	1
9	00001252	Screw GB/T 70.1 M5×12	4
10	00000605	Washer GB/T 97.1 5	8
11	10014141	Clamp	1
12	00002246	Bolt GB/T 5783 M5×12	2
13	10013555	Keeper bar	1
14	00002153	Tank cover	1
15	00002154	Filter web	1
16	00001873	Level gauge	1
17	10014367	Hydraulic tank weldment	1
18	00000745	Bolt GB/T 5783 M6×12	4
19	00001074	Plug VST116×1.5ED	1
20	00000519	Suction filter	2
21	00001536	O-ring As568A 82.22×2.62	2
22	50001437	Flange	2
23	00000619	Bolt GB/T 5783 M6×25	12
24	00002071	Straight fitting	4
25	00003111	Hydraulic power unit	1
--	00004726	Pump	1
--	00004729	Motor	1
--	00004730	DC Contactor	1
--	00004724	Check valve	1

**109.1 Hydraulic Tank Assembly**

Item	Part No.	Description	Qty.
--	00004725	Relief valve	1
--	00005007	Filter web	1
26	00001501	Straight fitting	1
27	00003113	Return filter	1
--	00004416	Filter element	1
28	00001080	Plug VSTI33×2ED	1
29	10003971	Pipe	1

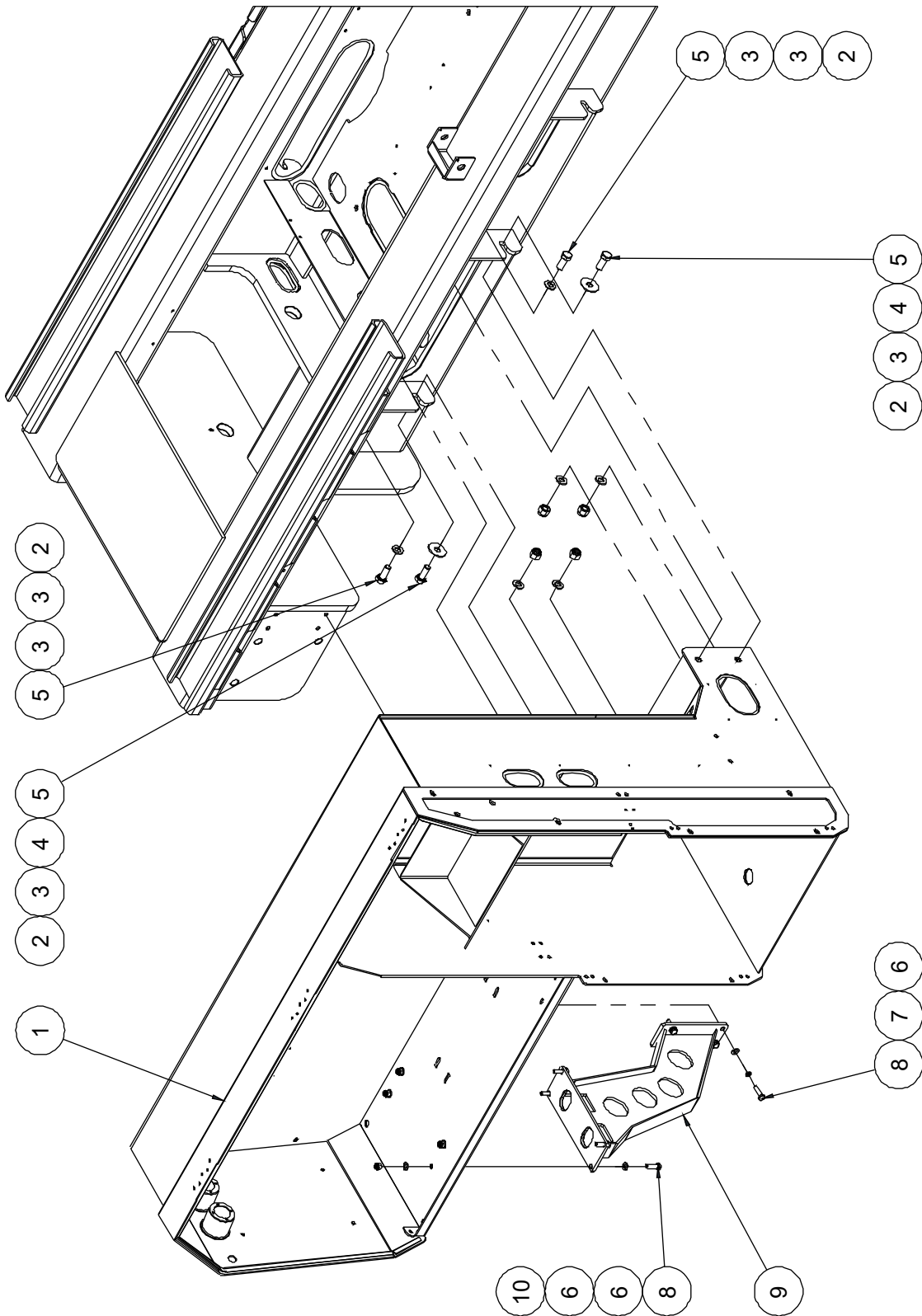
### 110.1 Function Manifold Assembly



**110.1 Function Manifold Assembly**

Item	Part No.	Description	Qty.
1		Function manifold (refer to 406.1, 406.2)	1
2	00001073	Plug VSTI14×1.5ED	1
3	00001262	Straight fitting	4
4	00001294	Straight fitting	1
5	00001239	Tee fitting	6
6	00001834	Elbow	6
7	00001282	Straight fitting	2
8	00001266	Straight fitting	2
9	00001272	Straight fitting	1
10	00001290	Straight fitting	2

### 111.1 Ground Control Tray Installation

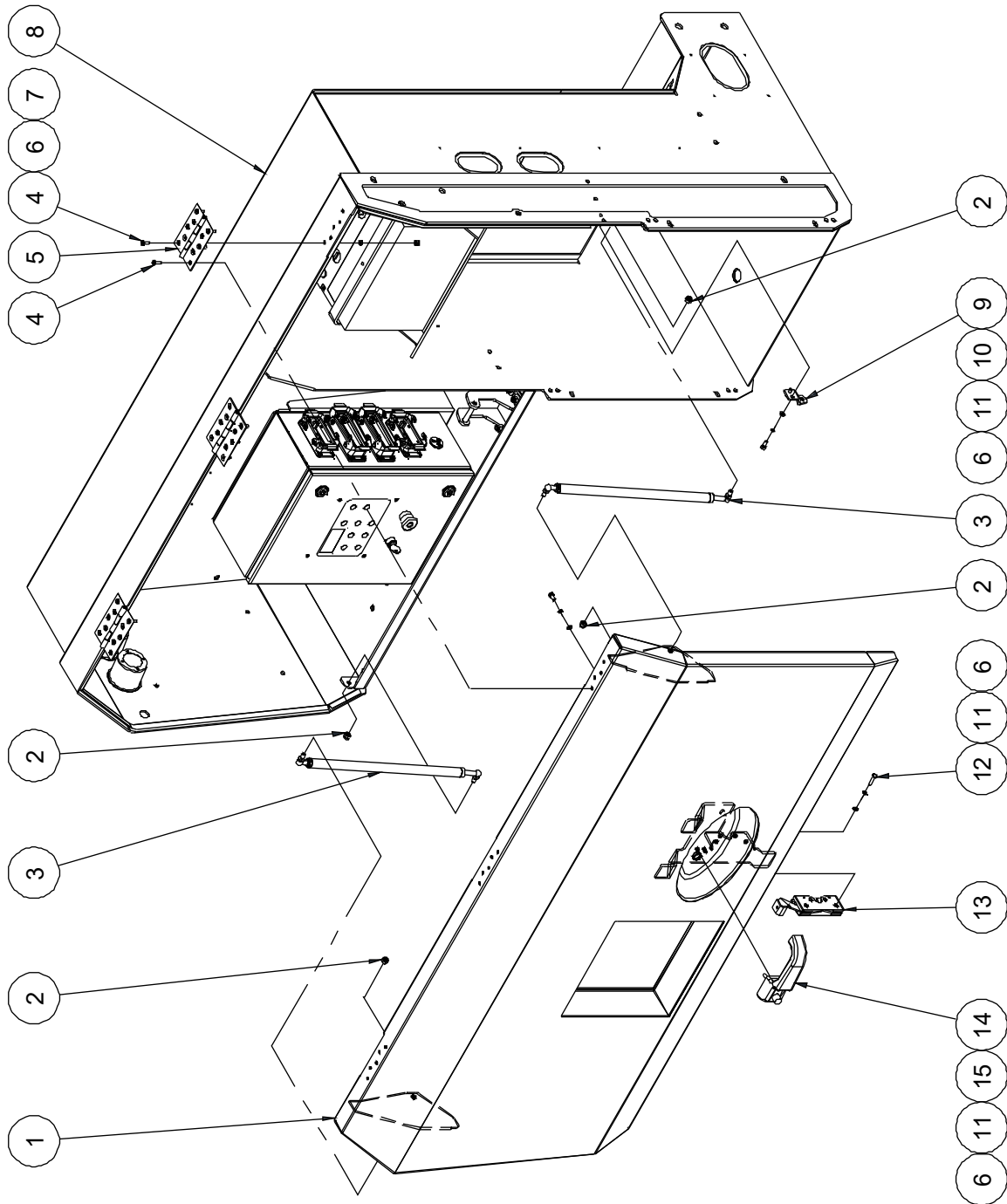




**111.1 Ground Control Tray Installation**

Item	Part No.	Description	Qty.
1	10019635	Ground control tray weldment	1
2	00001257	Nut GB/T 6182 M16	4
3	00000997	Washer GB/T 97.1 16	6
4	00003071	Washer GB/T 96.1 16	2
5	00001161	Bolt GB/T 5783 M16×40	4
6	00000615	Washer GB/T 97.1 10	12
7	00000679	Washer GB/T 93 10	4
8	00000684	Bolt GB/T 5783 M10×35	8
9	10003764	Bracket weldment	1
10	00000623	Nut GB/T 6182 M10	4

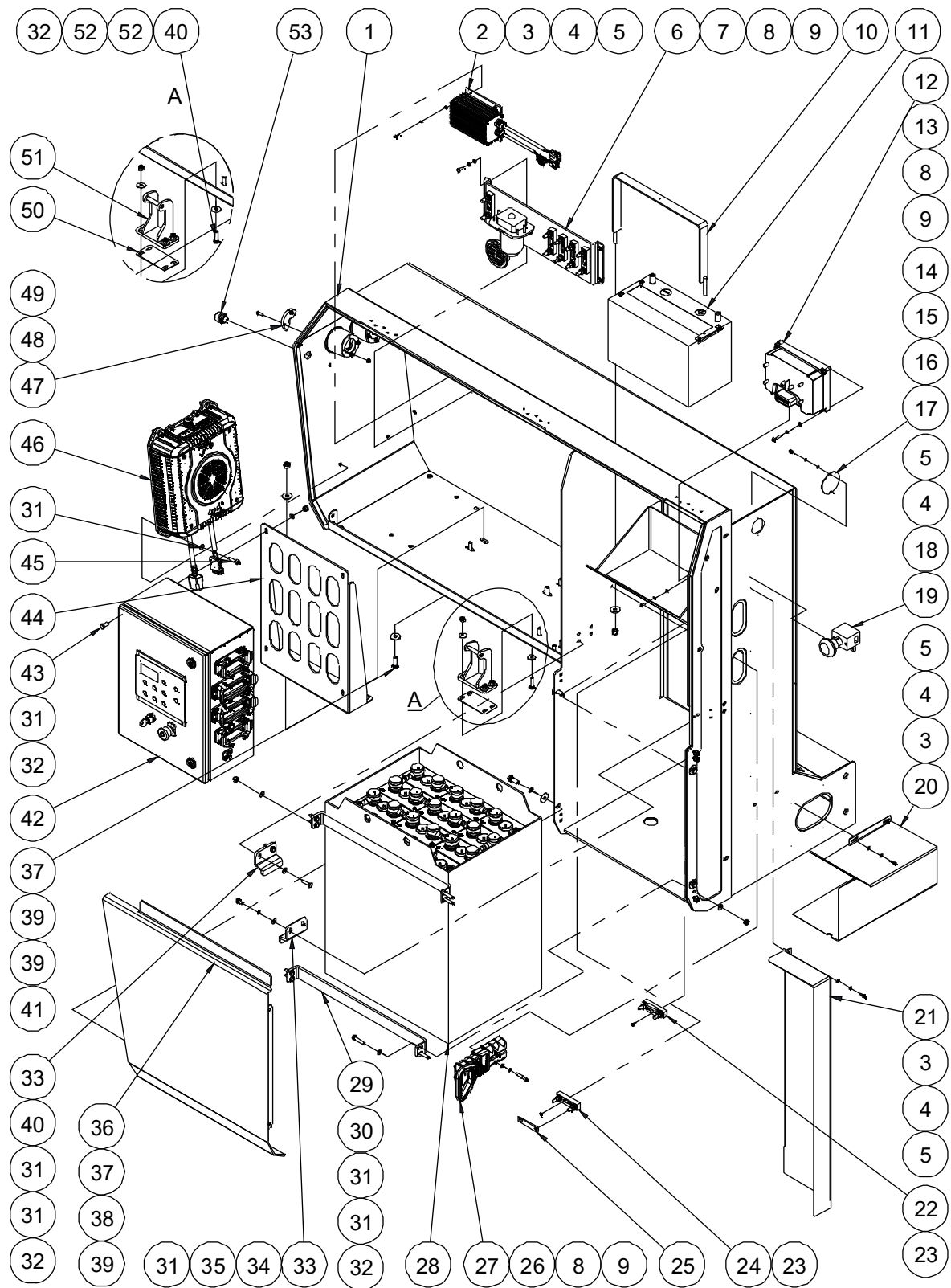
112.1 Ground Control Tray Door Installation



**112.1 Ground Control Tray Door Installation**

Item	Part No.	Description	Qty.
1	10003792	Door	1
2	00001163	Nut GB/T 6182 M8	4
3	10004088	Gas shock	2
4	00000831	Screw GB/T 70.3 M6×20	30
5	10004083	Hinge	3
6	00000620	Washer GB/T 97.1 6	24
7	00001033	Nut GB/T 6182 M6	15
8	10019635	Ground control tray weldment	1
9	10019545	Gas shock bracket	1
10	00000876	Screw GB/T 70.1 M6×16	2
11	00000621	Washer GB/T 93 6	9
12	00000619	Bolt GB/T 5783 M6×25	4
13	10003802	Latch	1
14	50000524	Handle	1
15	00000818	Bolt GB/T 5783 M6×16	3

113.1 Battery and Ground Control Installation



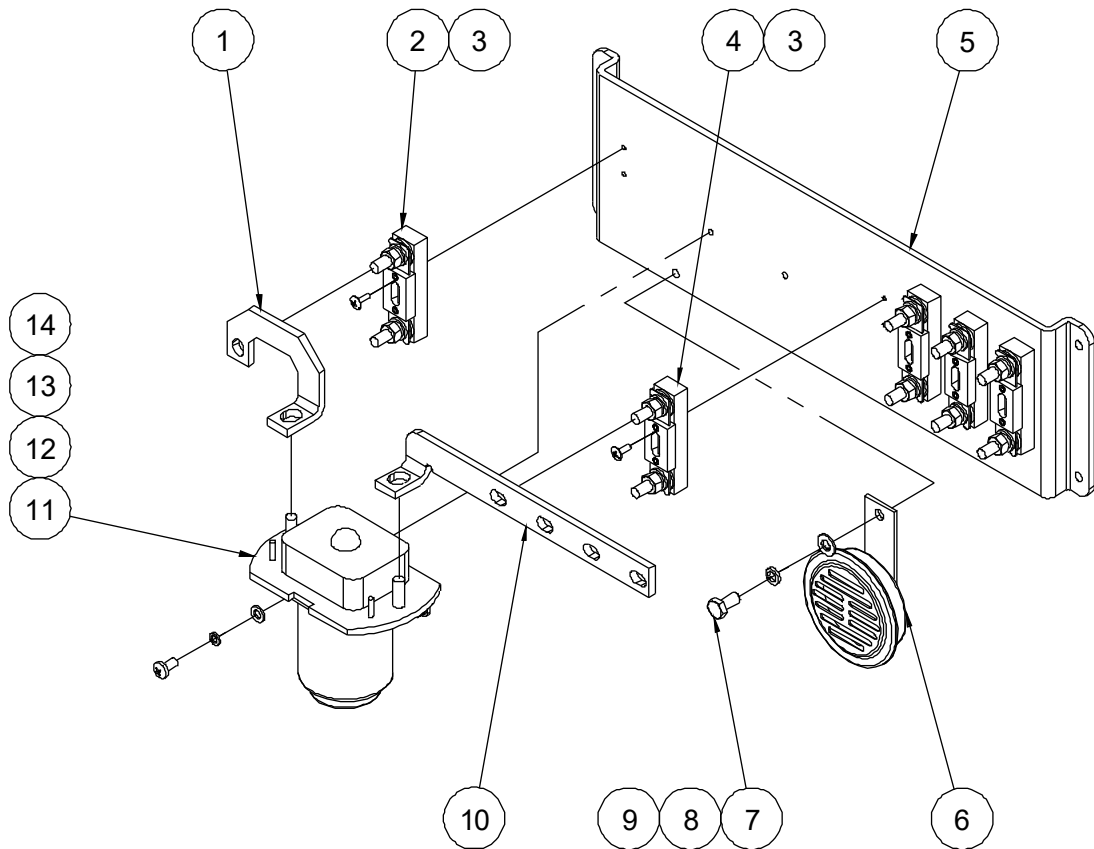
**113.1 Battery and Ground Control Installation**

Item	Part No.	Description	Qty.
1	10019635	Ground control tray weldment	1
2	00007381	DC power supply	1
3	00001252	Screw GB/T 70.1 M5×12	12
4	00000606	Washer GB/T 93 5	21
5	00000605	Washer GB/T 97.1 5	21
6	00000818	Bolt GB/T 5783 M6×16	4
7	00000621	Washer GB/T 93 6	16
8	00000620	Washer GB/T 97.1 6	16
9		Electrical accessory assembly (refer to 114.1)	1
10	10003806	Battery keeper bar	1
11	00002200	Battery	1
12	00000641	Motor controller	2
13	00001034	Screw GB/T 70.1 M6×25	8
14	00000778	Washer GB/T 97.1 4	2
15	00000779	Washer GB/T 93 4	2
16	00002511	Bolt GB/T 5783 M4×10	2
17	10021300	Cover	1
	10021326	Cover	1
18	00000607	Screw GB/T 818 M5×12 - H	2
19	00000655	Power switch	1
20	10016805	Protection plate	1
21	10016804	Protection plate	1
22	00002074	150A Fuse assembly	1
--	00002562	150A Fuse	1
--	00000757	Fuse seat	1
23	00001003	Screw GB/T 973 M4×12	14
24	00000757	Fuse seat	1
25	50000099	Copper bar 3	1
26	00002934	Screw GB/T 70.1 M6×35	2

**113.1 Battery and Ground Control Installation**

Item	Part No.	Description	Qty.
27	00006590	Power connector	1
28	00008969	Battery	1
29	10019600	Battery keeper bar	2
30	00002604	Bolt GB/T 5783 M8×40	4
31	00000608	Washer GB/T 97.1 8	35
32	00001163	Nut GB/T 6182 M8	22
33	10019622	Battery keeper plate	2
34	00001063	Bolt GB/T 5783 M8×16	2
35	00000609	Washer GB/T 93 8	2
36	10019640	Cover	1
37	00000683	Bolt GB/T 5783 M10×30	8
38	00000679	Washer GB/T 93 10	4
39	00001028	Washer GB/T 96.1 10	14
40	00000995	Bolt GB/T 5783 M8×30	6
41	00000623	Nut GB/T 6182 M10	6
42		Ground control box assembly (refer to 115.1)	1
43	00000875	Bolt GB/T 5783 M8×20	4
44	10003801	Ground control box bracket	1
45	00002560	Screw GB/T 70.1 M8×30	4
46	00005371	Charger	1
47	10000537	Half-round batten	4
48	00000612	Screw GB/T 818 M5×20 - H	8
49	00002573	Nut GB/T 6183.1 M5	8
50	10003751	Adjusting plate	1
51	10003747	Lock clasp	1
52	00002000	Washer GB/T 96.1 8	8
53	00000652	Charger display	1

### 114.1 Electrical Accessory Assembly

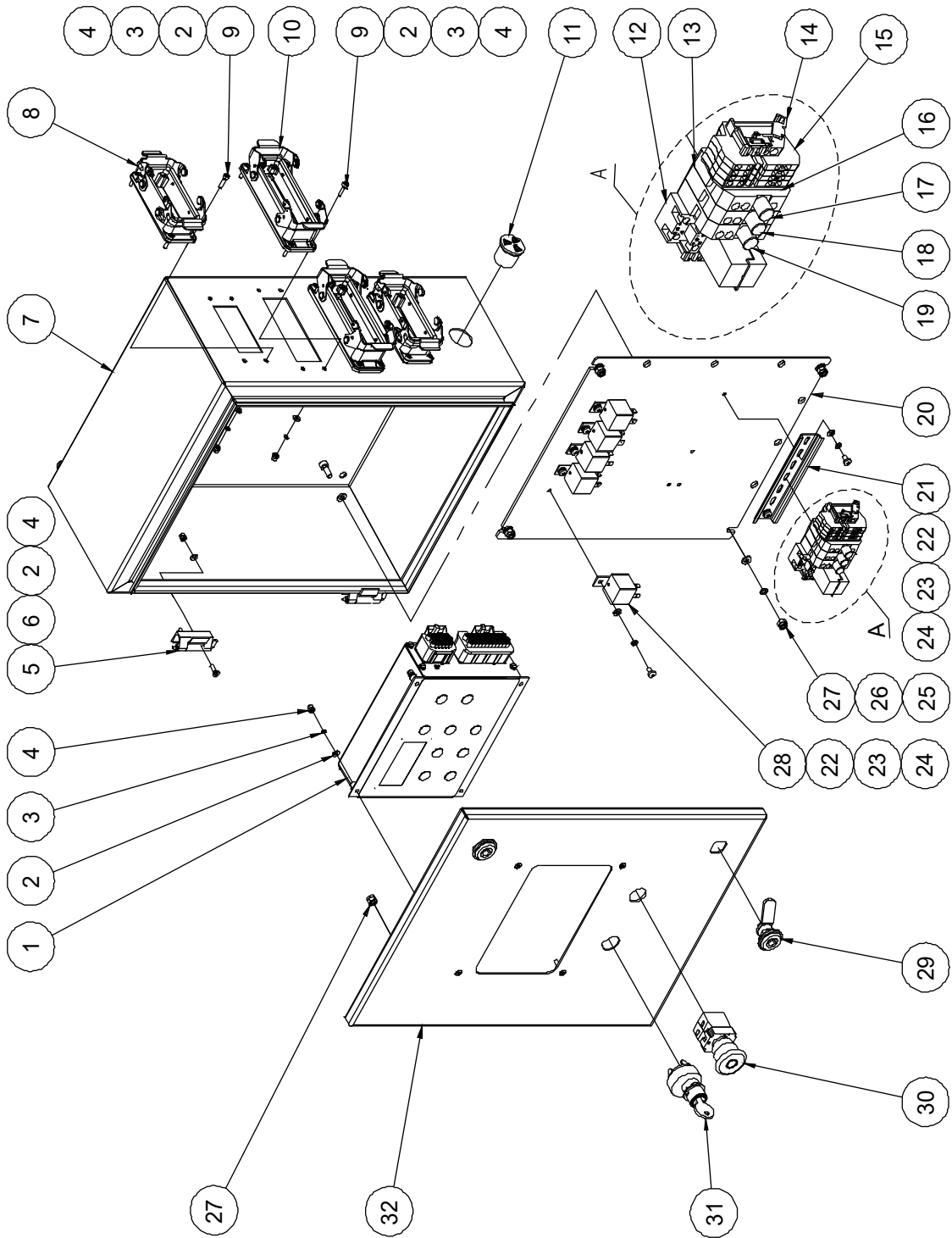


**114.1 Electrical Accessory Assembly**

Item	Part No.	Description	Qty.
1	00008265	Terminal strip	1
2	00006265	600A Fuse assembly	1
--	00006266	600A Fuse	1
--	00000757	Fuse seat	1
3	00001003	Screw GB/T 973 M4×12	10
4	00001031	350A Fuse assembly	4
--	00000758	350A Fuse	4
--	00000757	Fuse seat	4
5	10016667	Mounting plate	1
6	00002212	Horn	1
7	00001063	Bolt GB/T 5783 M8×16	1
8	00000609	Washer GB/T 93 8	1
9	00000608	Washer GB/T 97.1 8	1
10	00008266	Terminal strip	1
11	00005407	DC Contactor	1
12	00000621	Washer GB/T 93 6	2
13	00000620	Washer GB/T 97.1 6	2
14	00001060	Screw GB/T 818 M6×12 - H	2



115.1 Ground Control Box Assembly



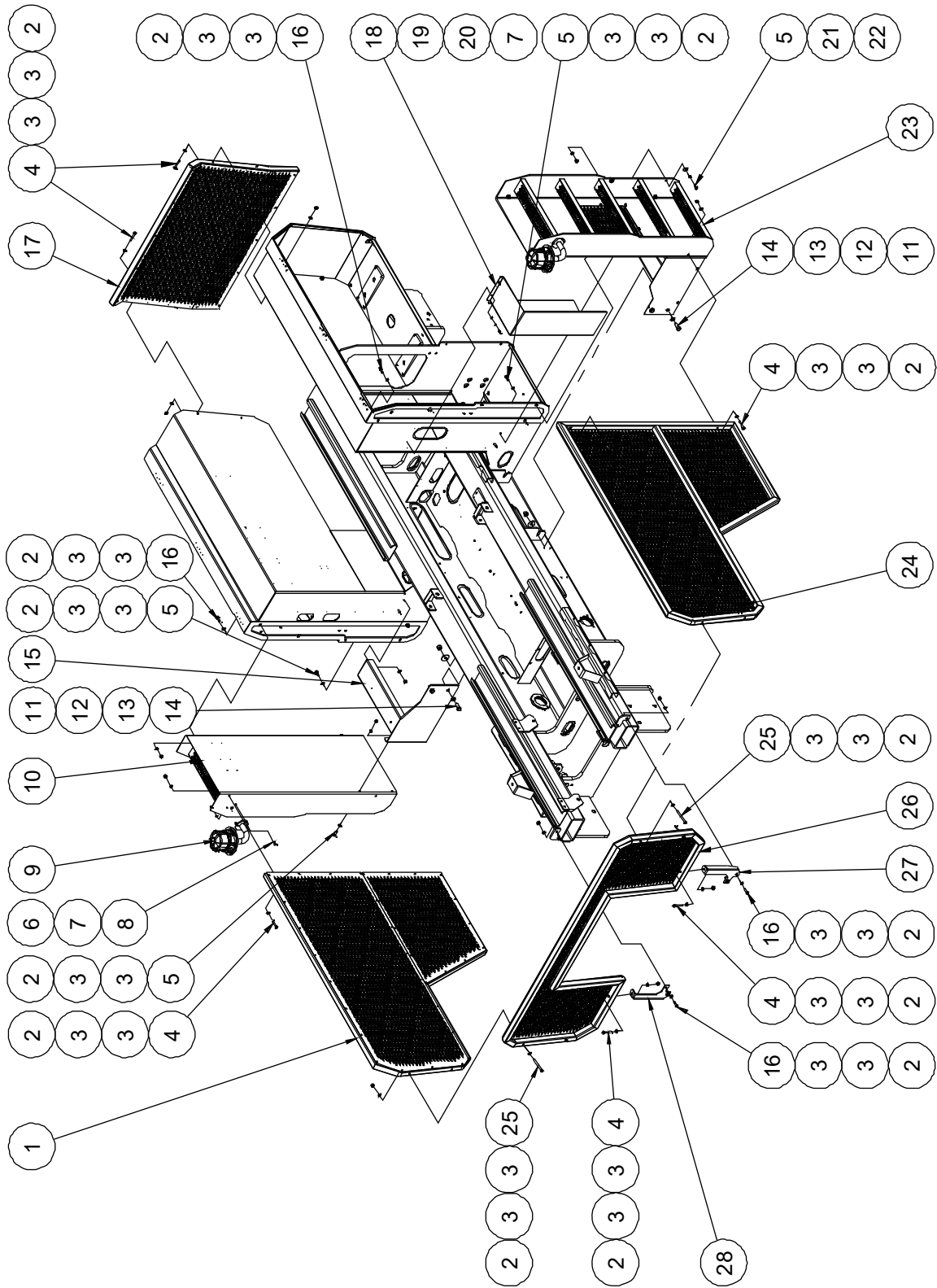
**115.1 Ground Control Box Assembly**

Item	Part No.	Description	Qty.
1	85000158	Controller	1
2	00000778	Washer GB/T 97.1 4	24
3	00000779	Washer GB/T 93 4	20
4	00001236	Nut GB/T 889.1 M4	24
5	50000217	Hinge	2
6	00001255	Screw GB/T 819 M4×14 - Z	4
7	10004952	Ground control box weldment	1
8	00002719	Housing	2
9	00000604	Screw GB/T 70.1 M4×16	16
10	00000732	Housing	2
11	00004885	Alarm	1
12	00000647	Relay	1
13	00000661	End, Fuse	3
14	00000660	End, Fixation	2
15	00000659	End, Straight	4
16	00002593	End, Plate	1
17	00007804	15A Fuse	1
18	00007803	5A Fuse	1
19	00007757	10A Fuse	1
20	10004972	Mounting plate	1
21	10004977	Terminal rail	1
22	00002391	Screw GB/T 818 M5×8 - H	7
23	00000606	Washer GB/T 93 5	7
24	00000605	Washer GB/T 97.1 5	7
25	00000620	Washer GB/T 97.1 6	8
26	00000621	Washer GB/T 93 6	4
27	00000742	Nut GB/T 889.1 M6	6
28	00002206	Relay	5
29	00001296	Latch, Column	2

**115.1 Ground Control Box Assembly**

Item	Part No.	Description	Qty.
30	00000923	Emergency stop switch	1
--	00001245	NC contact	1
--	00000752	Base with 1 NC contact	1
--	00000754	Red mushroom head	1
31	00001243	Key switch (key removable in off position)	1
	00003356	Key switch (key removable in all position)	1
--	00003050	Key	1
32	10017927	Ground control box cover	1

### 116.1 Link Guard and Ladder



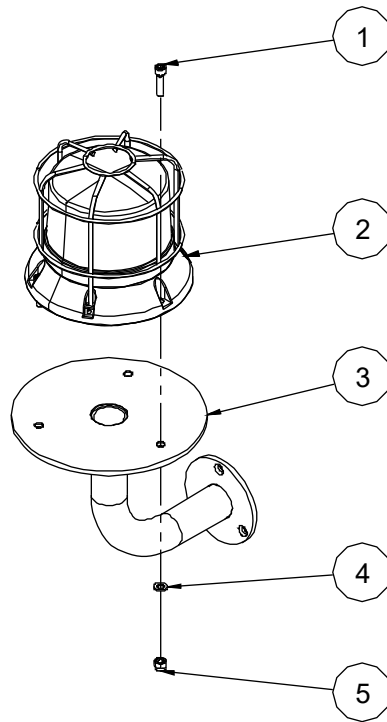
**116.1 Link Guard and Ladder**

Item	Part No.	Description	Qty.
1	10003904	Side link guard assembly	1
--	10003905	Side link guard weldment	1
--	10003913	Upper plate	1
--	10003912	Lower plate	1
--	00001991	Rivet GB/T 12618.4 4.8×16	34
2	00000623	Nut GB/T 6182 M10	30
3	00000615	Washer GB/T 97.1 10	60
4	00001984	Bolt GB/T 5782 M10×60	10
5	00000683	Bolt GB/T 5783 M10×30	10
6	00001033	Nut GB/T 6182 M6	3
7	00000620	Washer GB/T 97.1 6	3
8	00000832	Screw GB/T 70.3 M6×25	3
9		Beacon assembly (refer to 117.1)	1
10	10019637	Ladder	1
11	00001257	Nut GB/T 6182 M16	4
12	00003071	Washer GB/T 96.1 16	2
13	00000997	Washer GB/T 97.1 16	6
14	00001161	Bolt GB/T 5783 M16×40	4
15	10003808	Ladder bracket	1
16	00000684	Bolt GB/T 5783 M10×35	10
17	10003915	Rear link guard assembly	1
--	10003916	Rear link guard weldment	1
--	10003920	Rear plate	1
--	00001991	Rivet GB/T 12618.4 4.8×16	20
18	10016673	Protection plate	1
19	00002029	Screw GB/T 70.1 M6×12	5
20	00000621	Washer GB/T 93 6	5
21	00000679	Washer GB/T 93 10	4
22	00001028	Washer GB/T 96.1 10	6

**116.1 Link Guard and Ladder**

Item	Part No.	Description	Qty.
23		Ladder assembly (refer to 118.1)	1
24	10003914	Side link guard assembly	1
--	10003905	Side link guard weldment	1
--	10003913	Upper plate	1
--	10003912	Lower plate	1
--	00001991	Rivet GB/T 12618.4 4.8×16	34
25	00001040	Bolt GB/T 5782 M10×100	4
26	10003894	Front link guard assembly	1
--	10003895	Front link guard weldment	1
--	10003903	Front plate	1
--	00001991	Rivet GB/T 12618.4 4.8×16	26
27	10003927	Front link guard bracket	1
28	10003926	Front link guard bracket	1

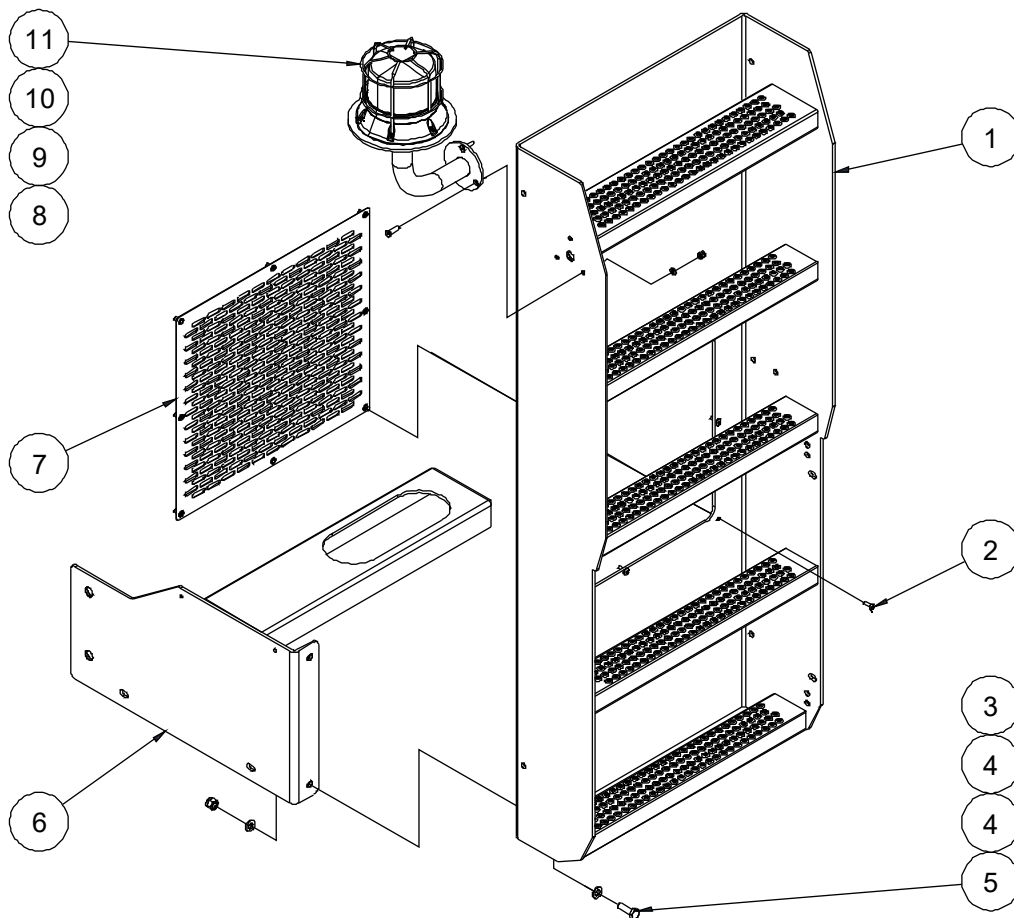
### 117.1 Beacon Assembly



### 117.1 Beacon Assembly

Item	Part No.	Description	Qty.
1	00001034	Screw GB/T 70.1 M6×25	3
2	00004883	Beacon	1
3	10005463	Beacon bracket weldment	1
4	00000620	Washer GB/T 97.1 6	3
5	00001033	Nut GB/T 6182 M6	3

### 118.1 Ladder and Oil Cooler Assembly

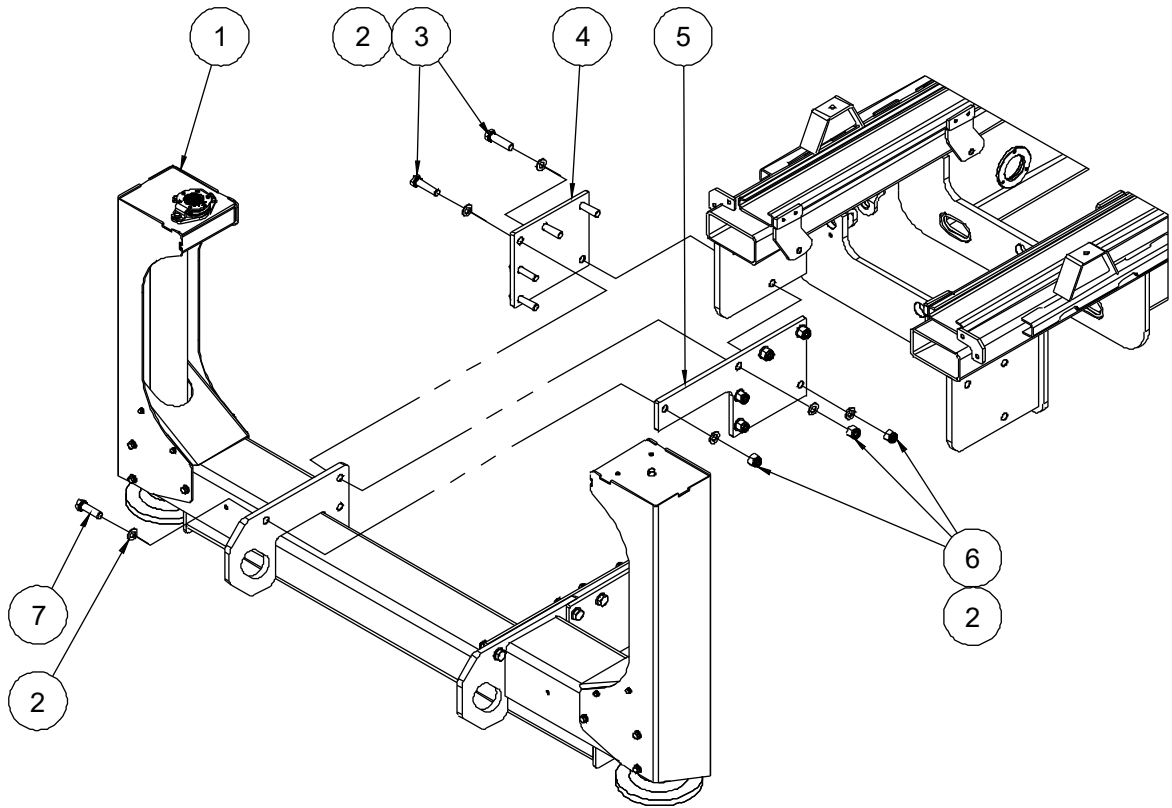


### 118.1 Ladder and Oil Cooler Assembly

Item	Part No.	Description	Qty.
1	10019632	Ladder	1
2	00002523	Screw GB/T 973 M5×16	8
3	00000623	Nut GB/T 6182 M10	2
4	00000615	Washer GB/T 97.1 10	4
5	00000683	Bolt GB/T 5783 M10×30	2
6	10016800	Bracket weldment	1
7	10015019	Cover	1
8	00001033	Nut GB/T 6182 M6	6
9	00000620	Washer GB/T 97.1 6	6
10	00000832	Screw GB/T 70.3 M6×25	3
11		Beacon assembly (refer to 117.1)	1



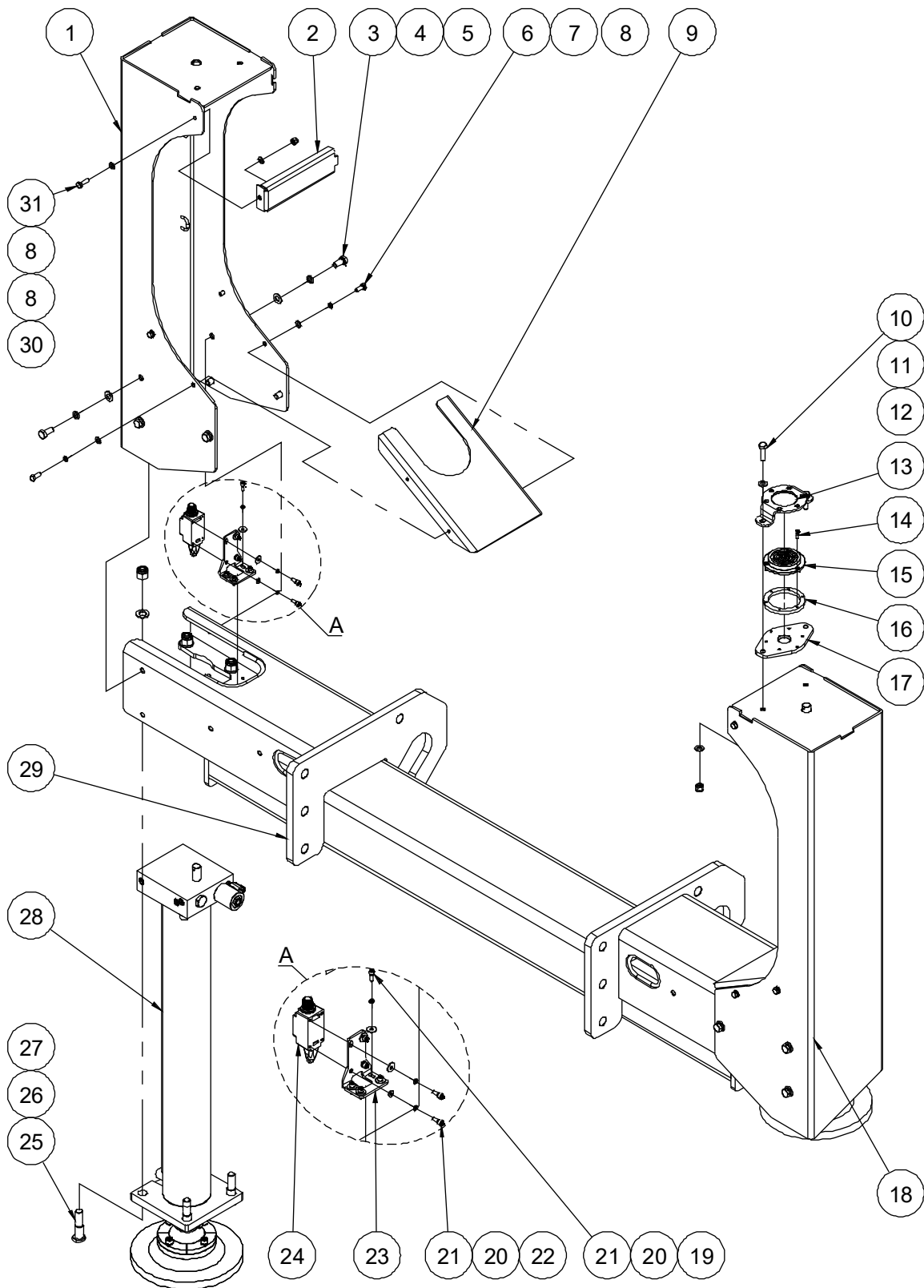
### 119.1 Outrigger Installation



### 119.1 Outrigger Installation

Item	Part No.	Description	Qty.
1		Outrigger assembly (refer to 120.1)	1
2	00001050	Washer GB/T 97.1 20	28
3	00003875	Bolt GB/T 5783 M20×80	12
4	10003831	Outrigger mount plate	2
5	10003830	Outrigger mount plate	2
6	00001051	Nut GB/T 6182 M20	14
7	00002223	Bolt GB/T 5783 M20×70	2

### 120.1 Outrigger Assembly



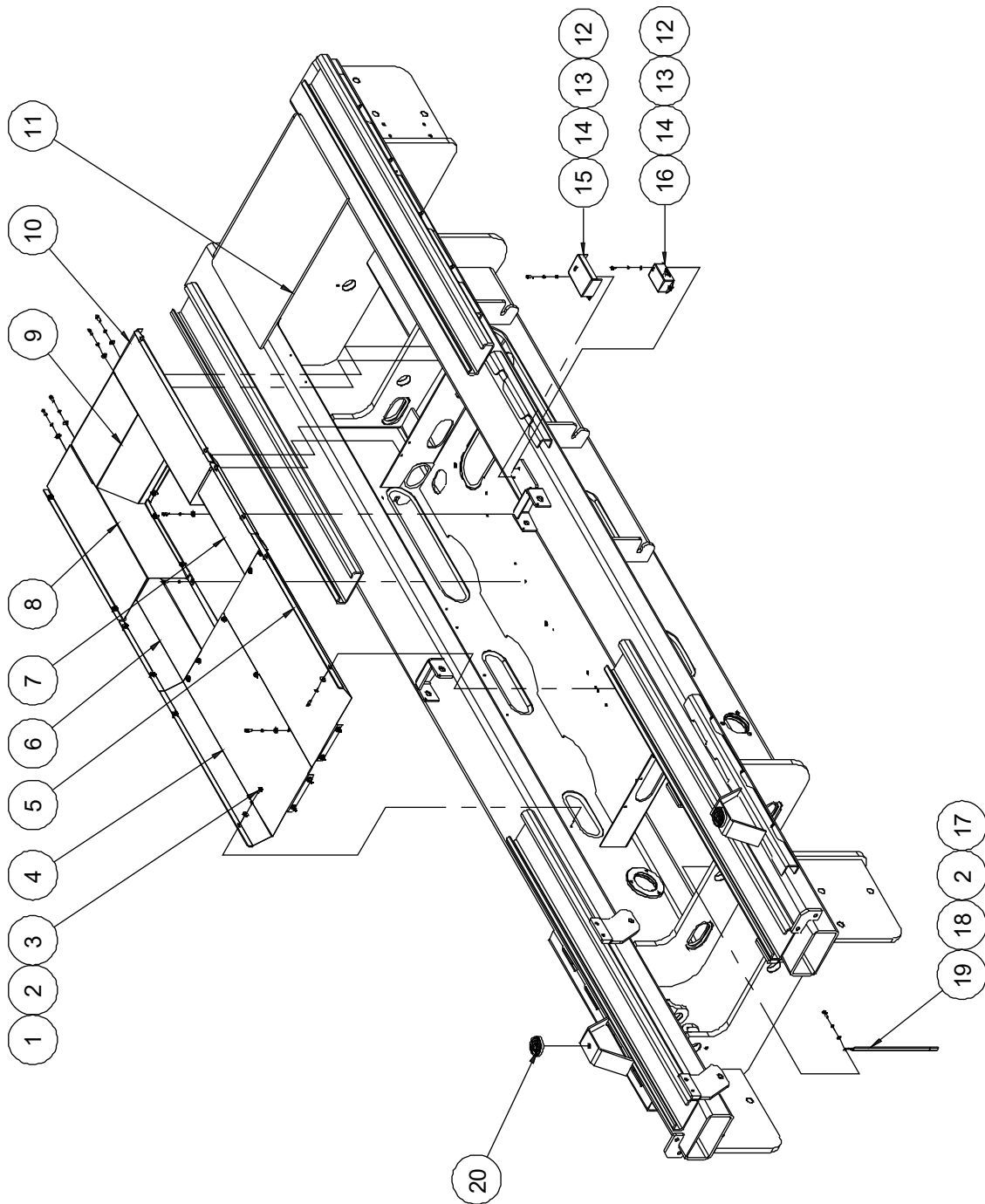
**120.1 Outrigger Assembly**

Item	Part No.	Description	Qty.
1	10004324	Outrigger housing	1
2	10004320	Cover	2
3	00000816	Bolt GB/T 5783 M12×25	12
4	00000815	Washer GB/T 93 12	12
5	00000814	Washer GB/T 97.1 12	12
6	00000875	Bolt GB/T 5783 M8×20	8
7	00000609	Washer GB/T 93 8	8
8	00000608	Washer GB/T 97.1 8	12
9	10004326	Cover	2
10	00000684	Bolt GB/T 5783 M10×35 (option)	2
11	00000615	Washer GB/T 97.1 10 (option)	4
12	00000623	Nut GB/T 6182 M10 (option)	2
13	10004260	Bubble level cover (option)	1
14	00001246	Screw GB/T 70.1 M5×16 (option)	3
15	10004259	Bubble level (option)	1
16	10004271	Rubber pad (option)	1
17	10003797	Bubble level mount plate (option)	1
18	10004321	Outrigger housing	1
19	00002583	Washer GB/T 96.1 6	12
20	00000621	Washer GB/T 93 6	15
21	00000876	Screw GB/T 70.1 M6×16	16
22	00000620	Washer GB/T 97.1 6	4
23	10003845	Switch bracket	2
24	00000750	Limit switch	2
25	10003839	Screw	8
26	00000997	Washer GB/T 97.1 16	8
27	00001257	Nut GB/T 6182 M16	8
28		Outrigger cylinder assembly (without seal kit) (refer to 405.1, 405.2)	2

**120.1 Outrigger Assembly**

<b>Item</b>	<b>Part No.</b>	<b>Description</b>	<b>Qty.</b>
29	10003823	Outrigger yoke	1
30	00001163	Nut GB/T 6182 M8	2
31	00000993	Bolt GB/T 5783 M8×25	2

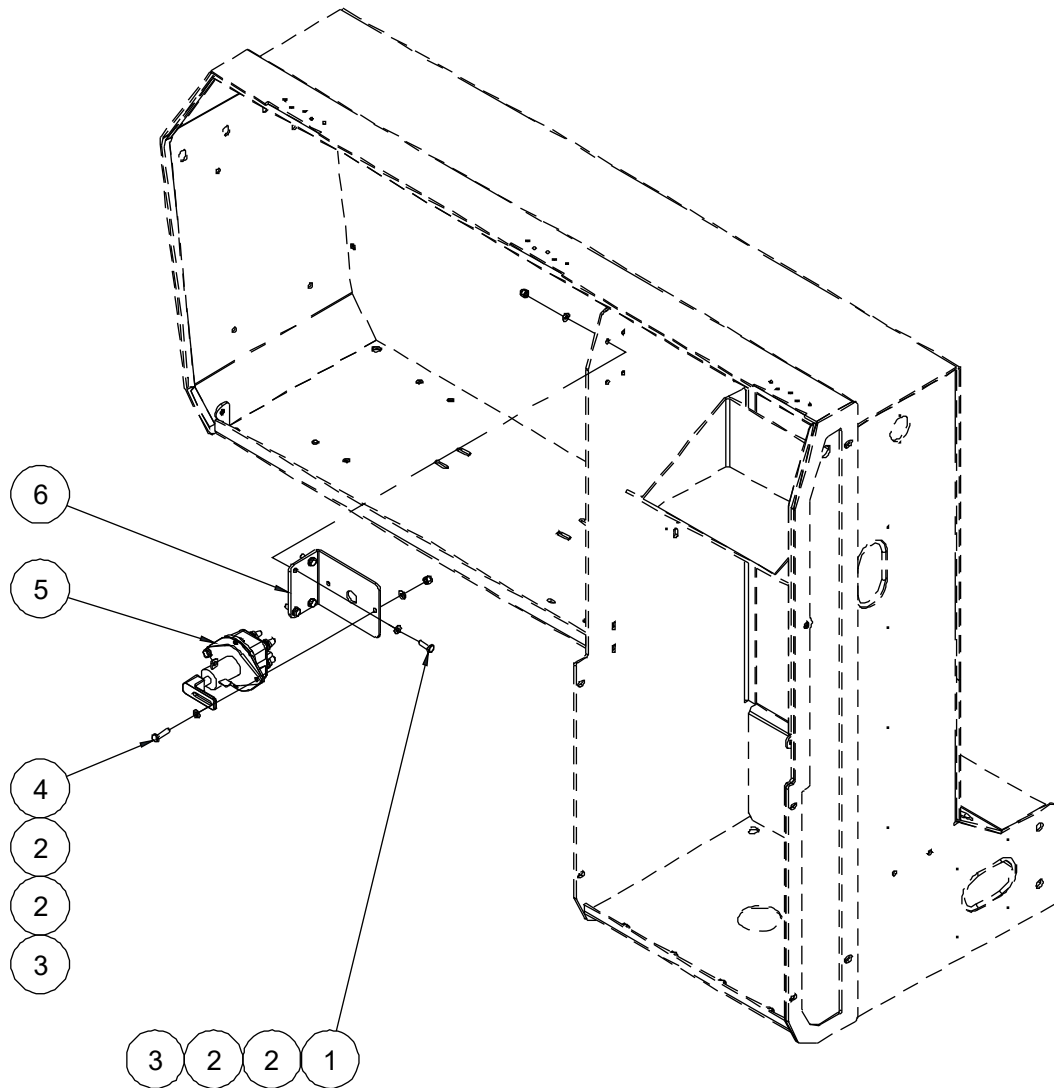
### 121.1 Chassis Accessory Installation



**121.1 Chassis Accessory Installation**

Item	Part No.	Description	Qty.
1	00002583	Washer GB/T 96.1 6	37
2	00000621	Washer GB/T 93 6	38
3	00000876	Screw GB/T 70.1 M6×16	37
4	10003878	Cover	1
5	10003891	Cover	1
6	10003879	Cover	1
7	10003888	Cover	1
8	10003882	Cover	1
9	10003885	Cover	1
10	10003886	Cover	1
11	10019069	Frame weldment	1
12	00000605	Washer GB/T 97.1 5	4
13	00000606	Washer GB/T 93 5	4
14	00001252	Screw GB/T 70.1 M5×12	4
15	10003942	Tilt sensor cover	1
16	00003962	Tilt sensor	1
17	00000743	Bolt GB/T 5783 M6×20	1
18	00000620	Washer GB/T 97.1 6	1
19	10002979	Ground strap	1
20	10003263	Block	2

**122.1 Dual power switch assembly**



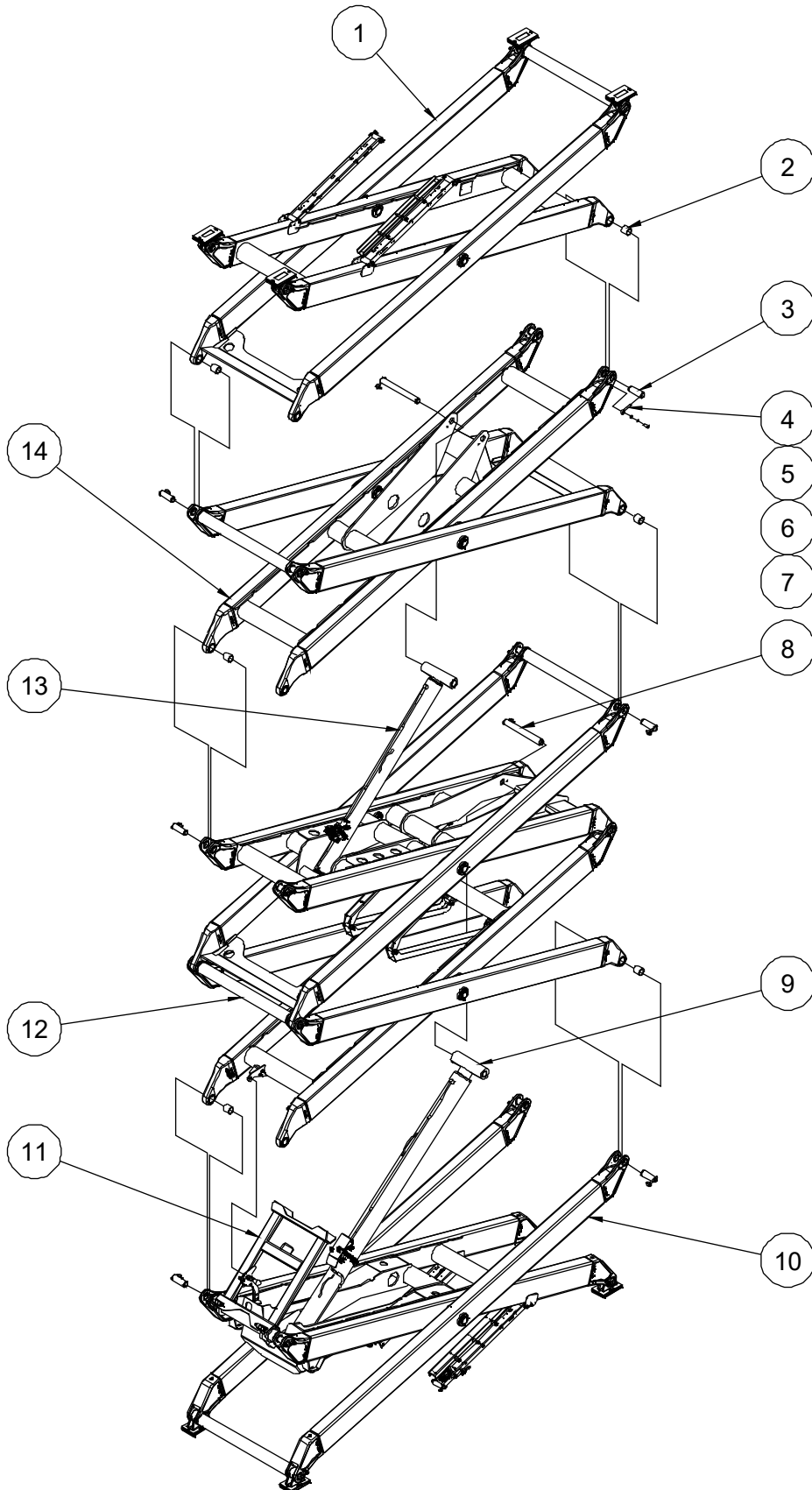
**122.1 Dual power switch assembly**

Item	Part No.	Description	Qty.
1	00000993	Bolt GB/T 5783 M8×25	4
2	00000608	Washer GB/T 97.1 8	12
3	00001163	Nut GB/T 6182 M8	6
4	00000995	Bolt GB/T 5783 M8×30	2
5	00010313	Power switch assembly	1
--	00010171	Power switch	1
--	00010287	Power switch	1
6	10023496	Bracket	1

# Section 2 Scissor



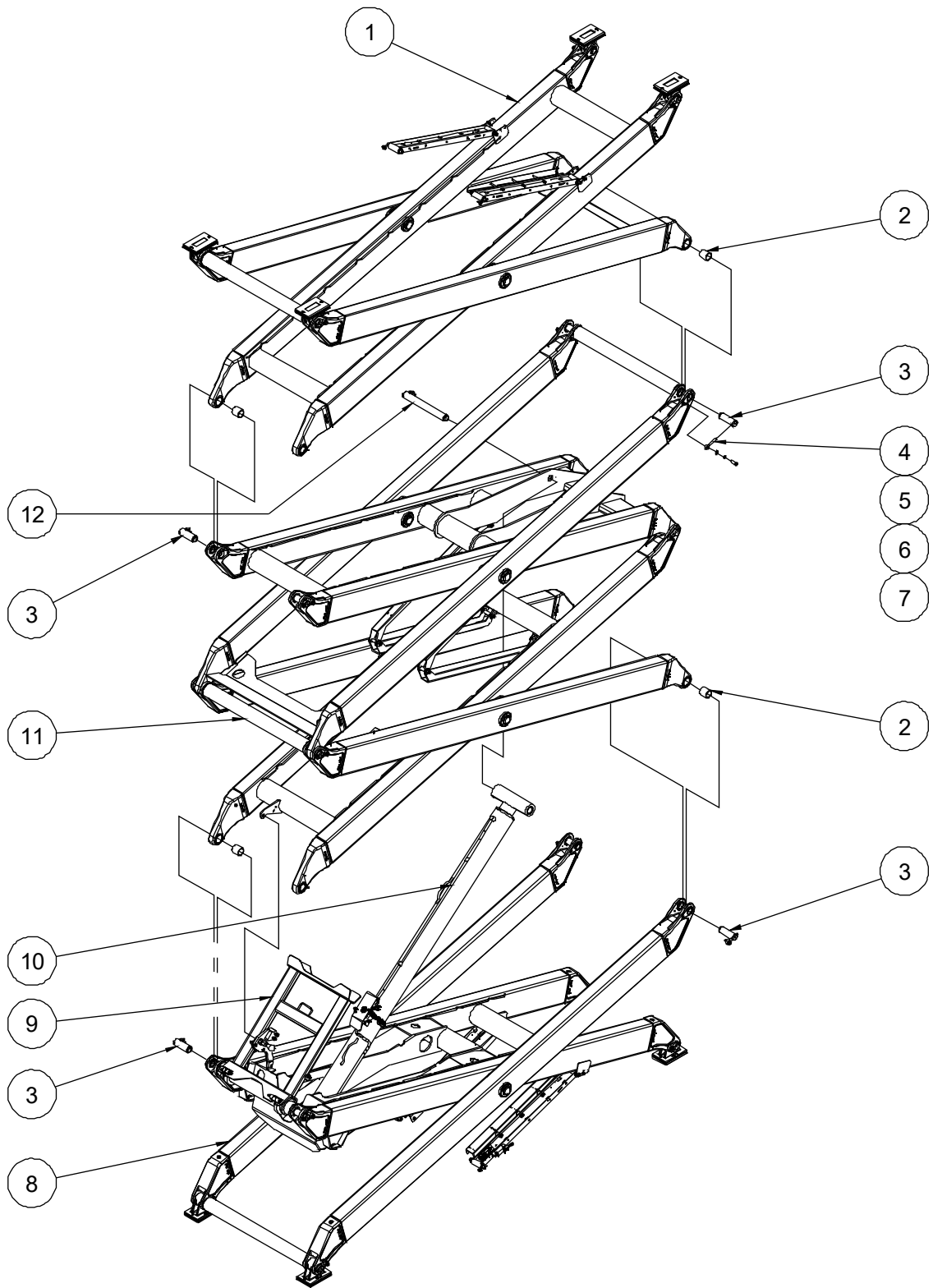
201.1 Scissor Assembly (JCPT1823DCB)



**201.1 Scissor Assembly (JCPT1823DCB)**

Item	Part No.	Description	Qty.
1		Scissor arm assembly 5 (refer to 202.1)	1
2	00000423	8813-455555 Bearing	12
3	00003841	896B-45×120.5 Pin	12
4	00002464	8902-12085 Pin	16
5	00000814	Washer GB/T 97.1 12	16
6	00000815	Washer GB/T 93 12	16
7	00001055	Bolt GB/T 5783 M12×40	16
8	00000578	896-45×373.5 Pin	4
9		Lower lift cylinder assembly (without seal kit) (refer to 401.1)	1
10		Scissor arm assembly 1 (refer to 204.1)	1
11		Safety arm assembly (refer to 205.1)	1
12		Scissor arm assembly 2-3 (JCPT1823DCB) (refer to 206.1)	1
13		Upper lift cylinder assembly (without seal kit) (refer to 402.1)	1
14		Scissor arm assembly 4 (JCPT1823DCB) (refer to 209.1)	1

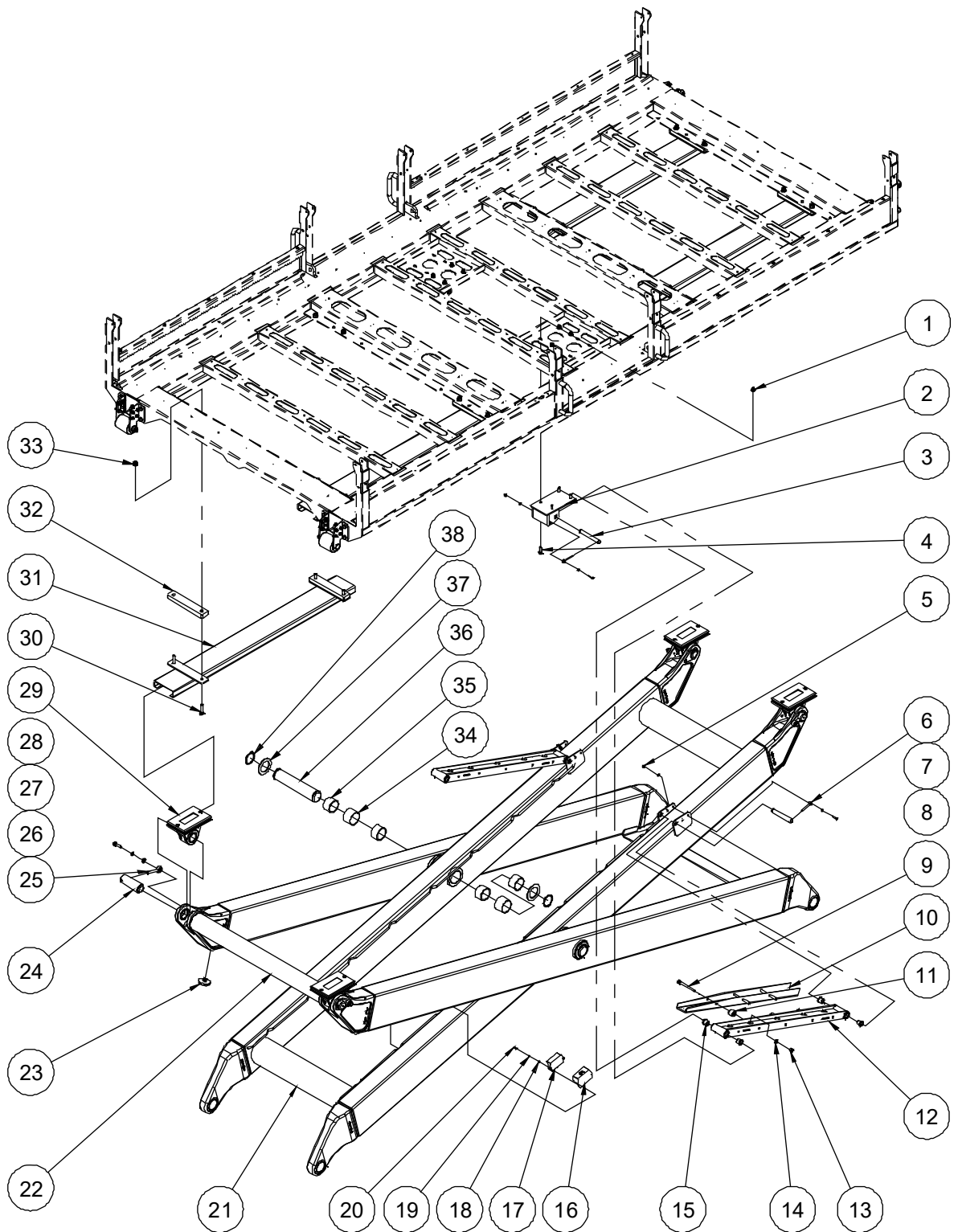
201.2 Scissor Assembly (JCPT1523DCB)



**201.2 Scissor Assembly (JCPT1523DCB)**

Item	Part No.	Description	Qty.
1		Scissor arm assembly 5 (refer to 202.1)	1
2	00000423	8813-455555 Bearing	8
3	00003841	896B-45×120.5 Pin	8
4	00002464	8902-12085 Pin	10
5	00000814	Washer GB/T 97.1 12	10
6	00000815	Washer GB/T 93 12	10
7	00001055	Bolt GB/T 5783 M12×40	10
8		Scissor arm assembly 1 (refer to 204.1)	1
9		Safety arm assembly (refer to 205.1)	1
10		Lower lift cylinder assembly (without seal kit) (refer to 401.1)	1
11		Scissor arm assembly 2-3 (JCPT1523DCB) (refer to 208.1)	1
12	00000578	896-45×373.5 Pin	2

### 202.1 Scissor Arm Assembly 5



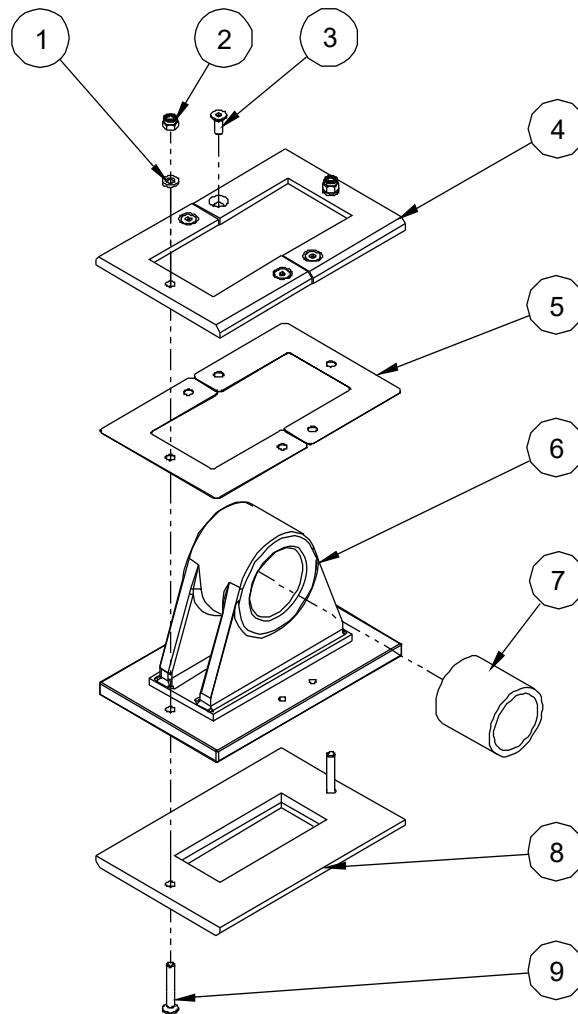
**202.1 Scissor Arm Assembly 5**

Item	Part No.	Description	Qty.
1	00002572	Nut GB/T 6183.1 M10	8
2	10004313	Link anchor platform weldment	2
3	00000572	896-20128 Pin	4
4	00000683	Bolt GB/T 5783 M10×30	8
5	00001033	Nut GB/T 6182 M6	4
6	00000218	8902-06065 Pin	4
7	00000620	Washer GB/T 97.1 6	8
8	00000775	Bolt GB/T 5783 M6×30	4
9	00001037	Bolt GB/T 5782 M10×110	3
10	10003253	Cable bridge	1
11	10003255	Spacer	3
12	10003482	Centering link weldment	2
13	00000623	Nut GB/T 6182 M10	3
14	00000615	Washer GB/T 97.1 10	3
15	00000251	8822-20215 Bearing	8
16	10000251	Sensor cover (JCPT1823DCB)	1
17	00000695	Angle sensor (JCPT1823DCB)	1
18	00000778	Washer GB/T 97.1 4 (JCPT1823DCB)	2
19	00000779	Washer GB/T 93 4 (JCPT1823DCB)	2
20	00001054	Screw GB/T 70.1 M4×12 (JCPT1823DCB)	2
21	10018817	Inner arm V	1
22	10018819	Outer arm V	1
23	10018819	Block	4
24	00003841	896B-45×120.5 Pin	4
25	00002464	8902-12085 Pin	4
26	00000814	Washer GB/T 97.1 12	4
27	00000815	Washer GB/T 93 12	4
28	00001055	Bolt GB/T 5783 M12×40	4
29		Slider assembly (refer to 203.1)	4

**202.1 Scissor Arm Assembly 5**

Item	Part No.	Description	Qty.
30	00001856	Bolt GB/T 5783 M12×50 (JCPT1523DCB)	16
	00002059	Bolt GB/T 5783 M12×30 (JCPT1823DCB)	16
31	10004310	Slider channel	4
32	10005037	Shim plate (JCPT1523DCB)	8
33	00002576	Nut GB/T 6183.1 M12	16
34	10003252	Spacer sleeve	4
35	00000430	8813-607040 Bearing	8
36	00000087	899-60268 Pin	2
37	10003250	Washer	4
38	00000953	Circlips GB/T 894.1-60	4

### 203.1 Slider Assembly

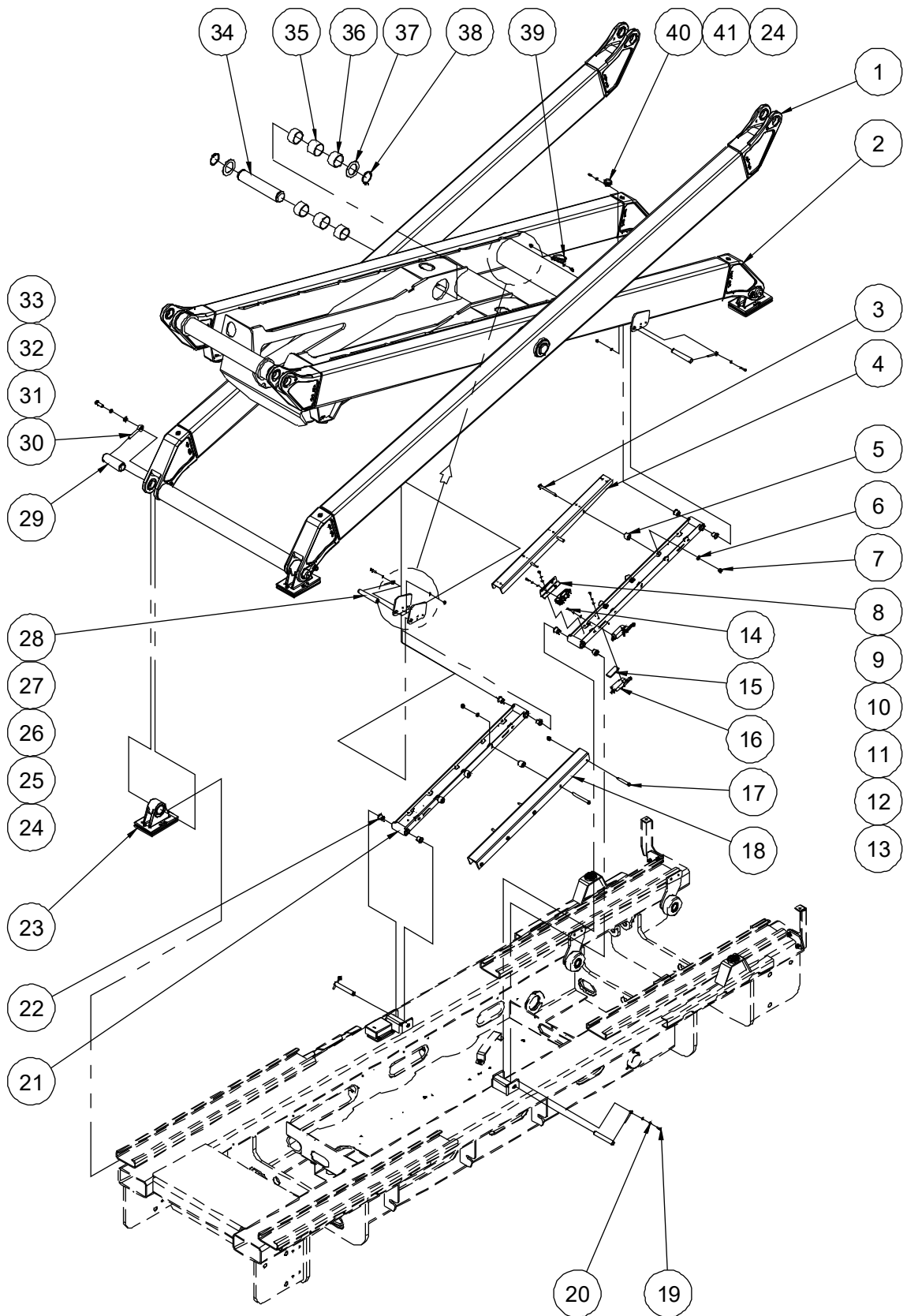


### 203.1 Slider Assembly

Item	Part No.	Description	Qty.
1	00000620	Washer GB/T 97.1 6	2
2	00001033	Nut GB/T 6182 M6	2
3	00000830	Screw GB/T 70.3 M6×16	4
4	10003118	Upper slider	2
5	10003120	Adjusting plate	2
6	10003117	Slider foot weldment	1
7	00000423	8813-455555 Bearing	1
8	10003119	Lower slider	1
9	00000834	Screw GB/T 70.3 M6×40	2



### 204.1 Scissor Arm Assembly 1



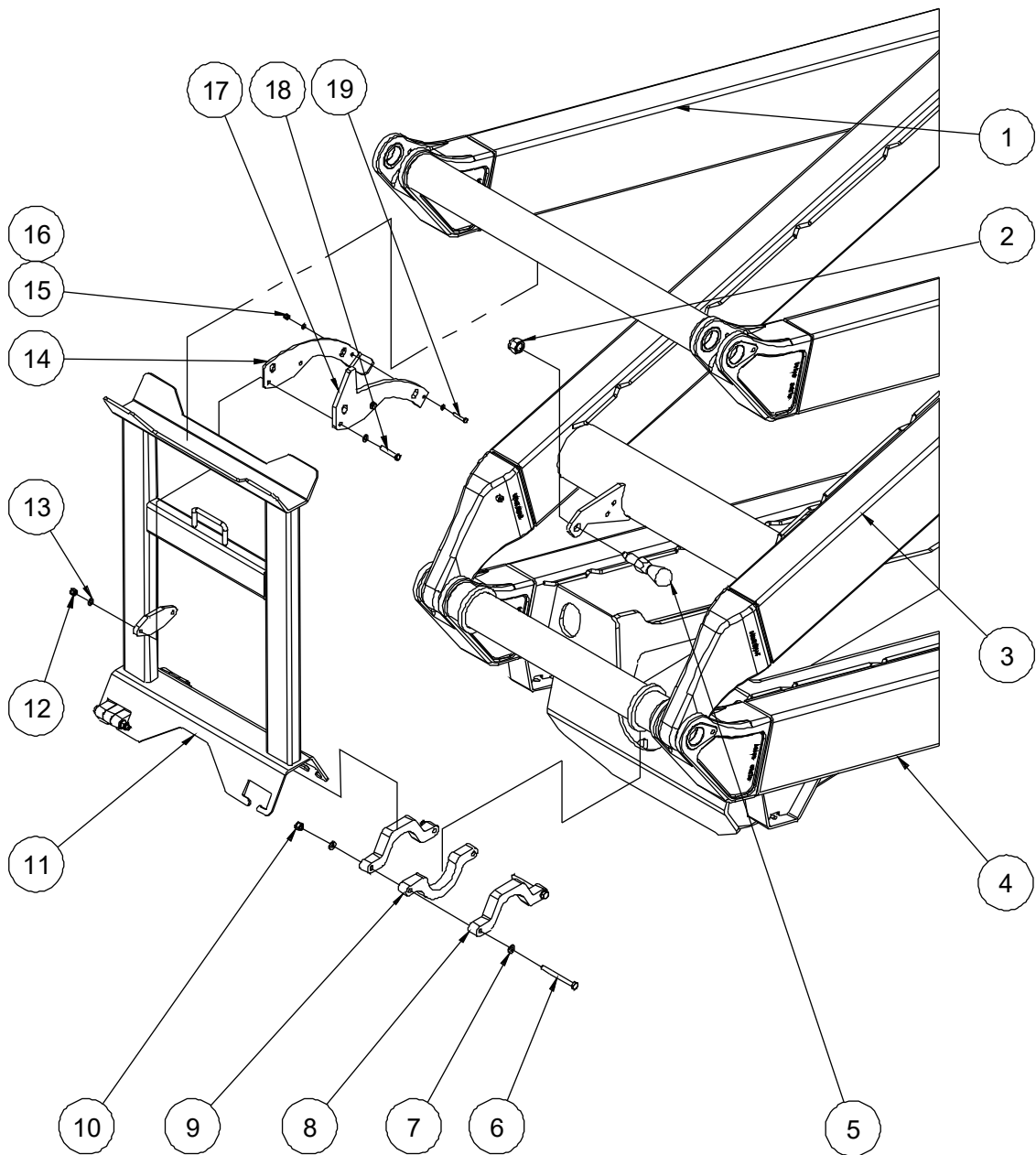
**204.1 Scissor Arm Assembly 1**

Item	Part No.	Description	Qty.
1	10018807	Outer arm I	1
2	10018803	Inner arm I	1
3	00001037	Bolt GB/T 5782 M10×110	6
4	10003253	Cable bridge	1
5	10003255	Spacer	6
6	00000615	Washer GB/T 97.1 10	6
7	00000623	Nut GB/T 6182 M10	8
8	10003261	Switch bracket	1
9	00000748	Limit switch	1
10	00001252	Screw GB/T 70.1 M5×12	3
11	00000817	Screw GB/T 70.1 M5×20 (JCPT1823DCB)	3
12	00000605	Washer GB/T 97.1 5 (JCPT1823DCB)	8
	00000605	Washer GB/T 97.1 5 (JCPT1823DCB)	6
13	00000606	Washer GB/T 93 5 (JCPT1823DCB)	8
	00000606	Washer GB/T 93 5 (JCPT1823DCB)	6
14	00001246	Screw GB/T 70.1 M5×16	2
15	10017941	Switch bracket (JCPT1823DCB)	1
16	00002354	Limit switch (JCPT1823DCB)	2
	00002354	Limit switch (JCPT1823DCB)	1
17	00001027	Bolt GB/T 5782 M10×80	2
18	10003254	Cable bridge	1
19	00000818	Bolt GB/T 5783 M6×16	2
20	00000621	Washer GB/T 93 6	2
21	10003113	Centering link weldment	2
22	00000251	8822-20215 Bearing	8
23		Slider assembly (refer to 204.1)	4
24	00000572	896-20128 Pin	4
25	00000218	8902-06065 Pin	4
26	00000775	Bolt GB/T 5783 M6×30	2

**204.1 Scissor Arm Assembly 1**

Item	Part No.	Description	Qty.
27	00000620	Washer GB/T 97.1 6	8
28	00001033	Nut GB/T 6182 M6	2
29	00003841	896B-45×120.5 Pin	4
30	00002464	8902-12085 Pin	4
31	00000814	Washer GB/T 97.1 12	4
32	00000815	Washer GB/T 93 12	4
33	00001055	Bolt GB/T 5783 M12×40	4
34	00000087	899-60268 Pin	2
35	10003252	Spacer sleeve	4
36	00000430	8813-607040 Bearing	8
37	10003250	Washer	4
38	00000953	Circlips GB/T 894.1-60	4
39	10005186	Clamp	1
40	10005613	Clamp	1
41	00002029	Screw GB/T 70.1 M6×12	2

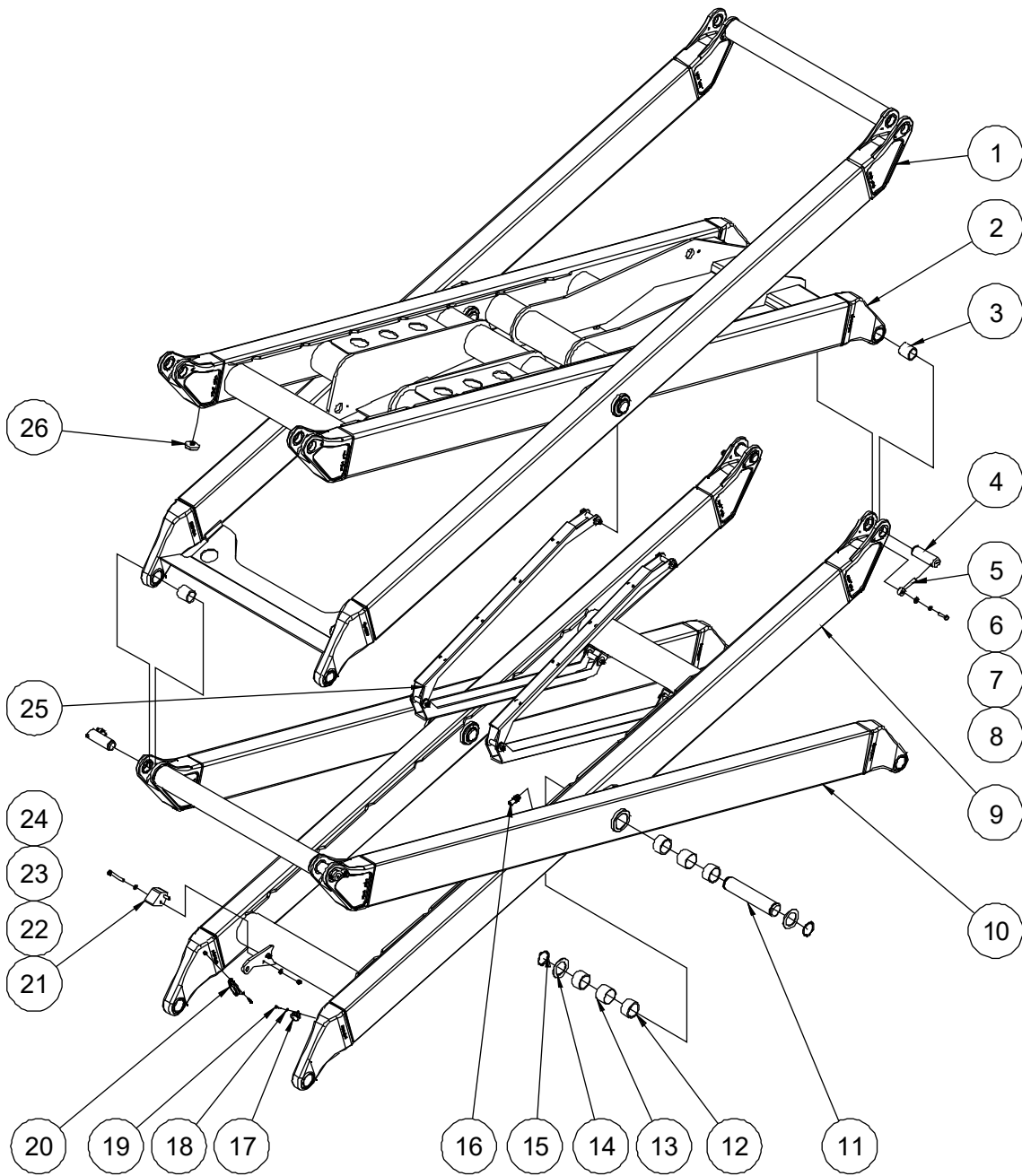
### 205.1 Safety Arm Assembly



**205.1 Safety Arm Assembly**

Item	Part No.	Description	Qty.
1	10018809	Outer arm II	1
2	00003604	Nut GB/T 889.2 M20×1.5	1
3	10018808	Inner arm II	1
4	10018803	Inner arm I	1
5	10003256	Lock pin assembly	1
-	10003257	Housing	1
-	10003258	Spring	1
-	10003259	Lock pin	1
-	10003260	knob	1
6	00001040	Bolt GB/T 5782 M10×100	4
7	00000615	Washer GB/T 97.1 10	8
8	10018841	Wear pad	4
9	10018840	Wear pad	2
10	00000623	Nut GB/T 6182 M10	4
11	10018834	Safety arm weldment	1
12	00001163	Nut GB/T 6182 M8	2
13	00000608	Washer GB/T 97.1 8	4
14	10018838	Safety arm lock plate	1
15	00001033	Nut GB/T 6182 M6	1
16	00000620	Washer GB/T 97.1 6	2
17	10018839	Slide surface	1
18	00003607	Bolt GB/T 5783 M8×50	2
19	00002895	Bolt GB/T 5783 M6×35	1

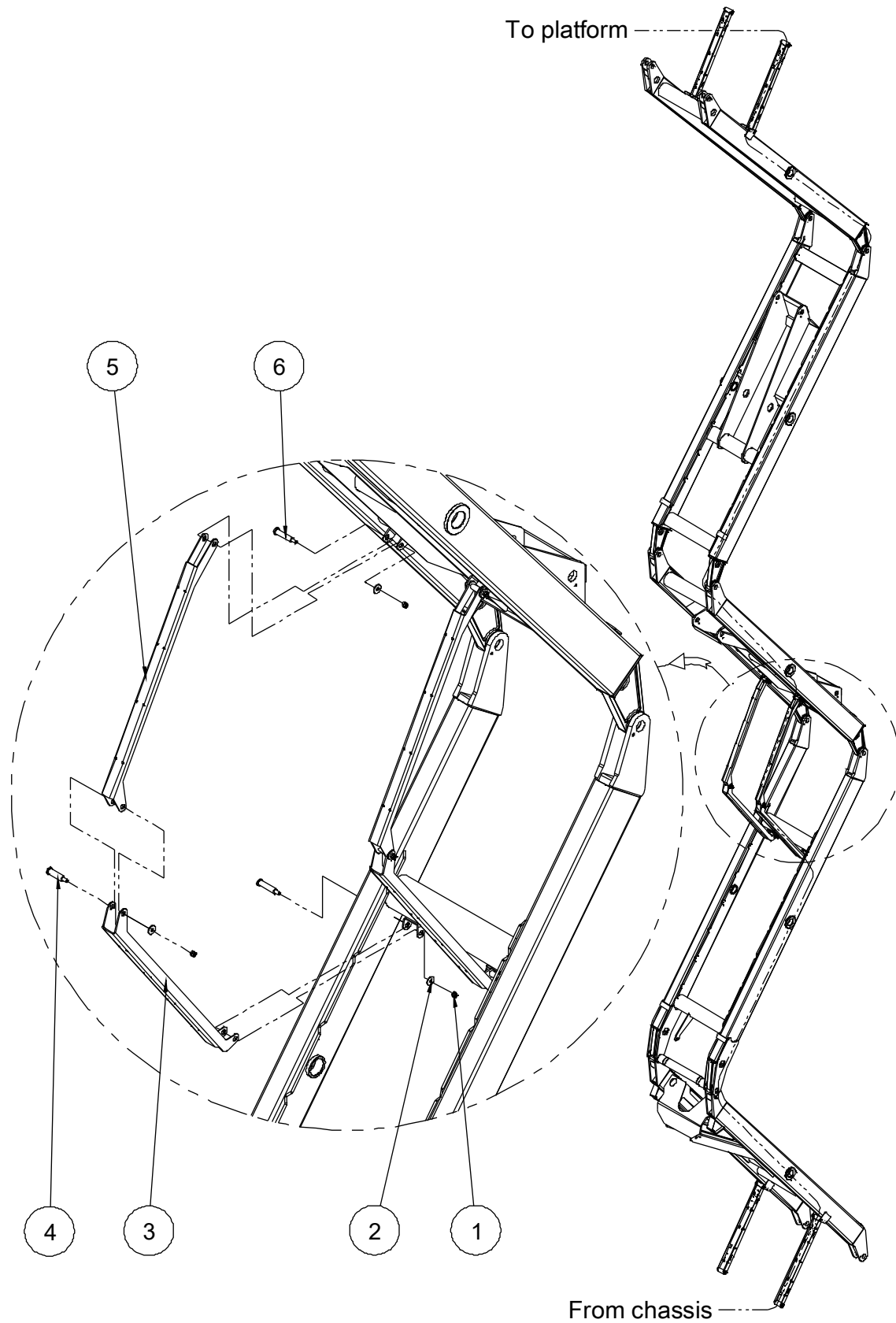
206.1 Scissor Arm Assembly 2-3 (JCPT1823DCB)



**206.1 Scissor Arm Assembly 2-3 (JCPT1823DCB)**

Item	Part No.	Description	Qty.
1	10018816	Outer arm III	1
2	10025387	Inner arm III	1
3	00000423	8813-455555 Bearing	4
4	00003841	896B-45×120.5 Pin	4
5	00002464	8902-12085 Pin	4
6	00000814	Washer GB/T 97.1 12	4
7	00000815	Washer GB/T 93 12	4
8	00001055	Bolt GB/T 5783 M12×40	4
9	10018808	Inner arm II	1
10	10018809	Outer arm II	1
11	00000087	899-60268 Pin	4
12	00000430	8813-607040 Bearing	16
13	10003252	Spacer sleeve	8
14	10003250	Washer	8
15	00000953	Circlips GB/T 894.1-60	8
16	00002137	Straight fitting	2
17	10005613	Clamp	1
18	00000620	Washer GB/T 97.1 6	2
19	00002029	Screw GB/T 70.1 M6×12	2
20	10005186	Clamp	1
21	10018850	Block	1
22	00001027	Bolt GB/T 5782 M10×80	2
23	00000615	Washer GB/T 97.1 10	4
24	00000623	Nut GB/T 6182 M10	2
25		Cable routing device assembly (refer to 207.1)	2
26	10018822	Block	/
	10026739	Block	/

### 207.1 Cable Routing Device Assembly

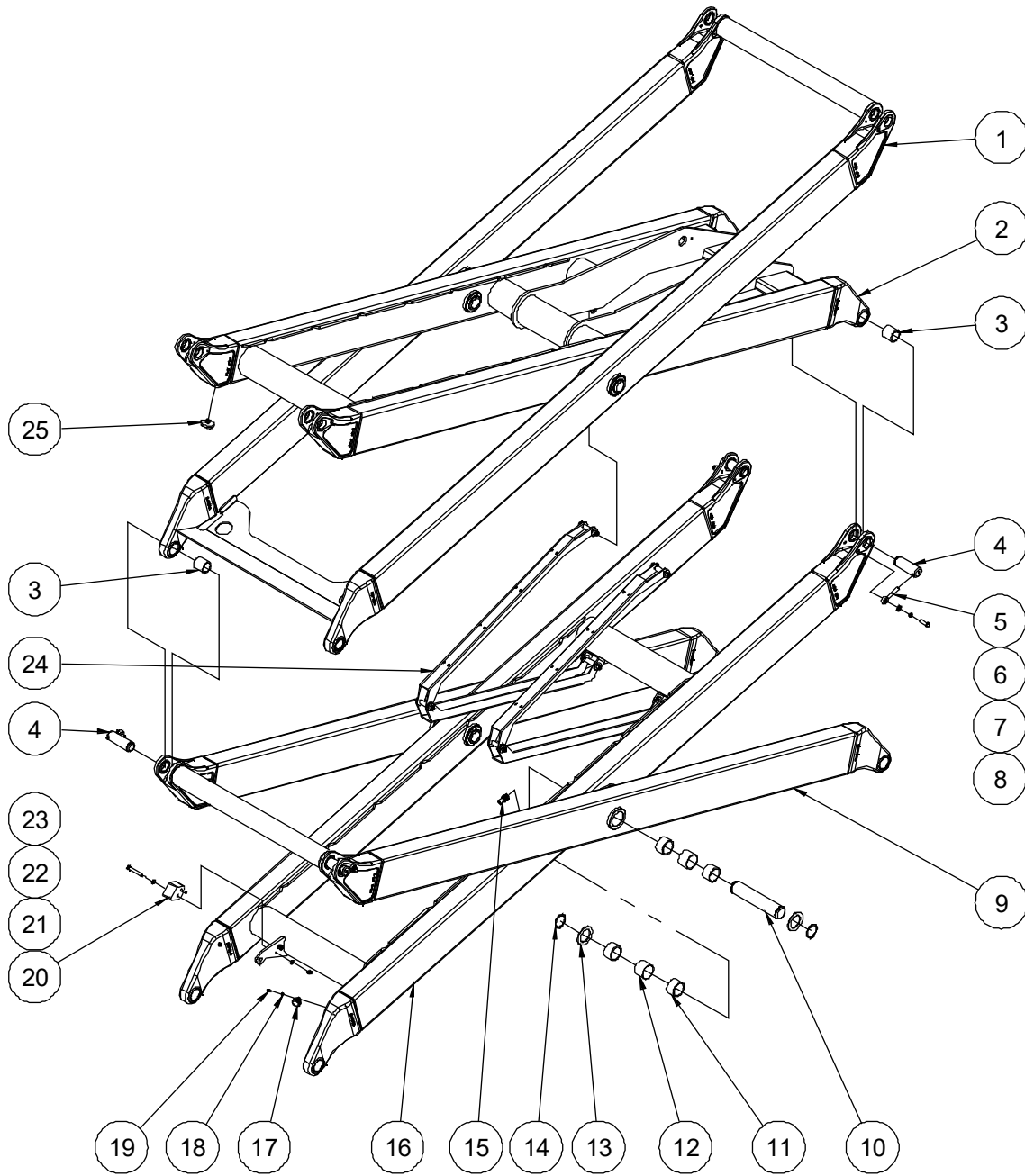




**207.1 Cable Routing Device Assembly**

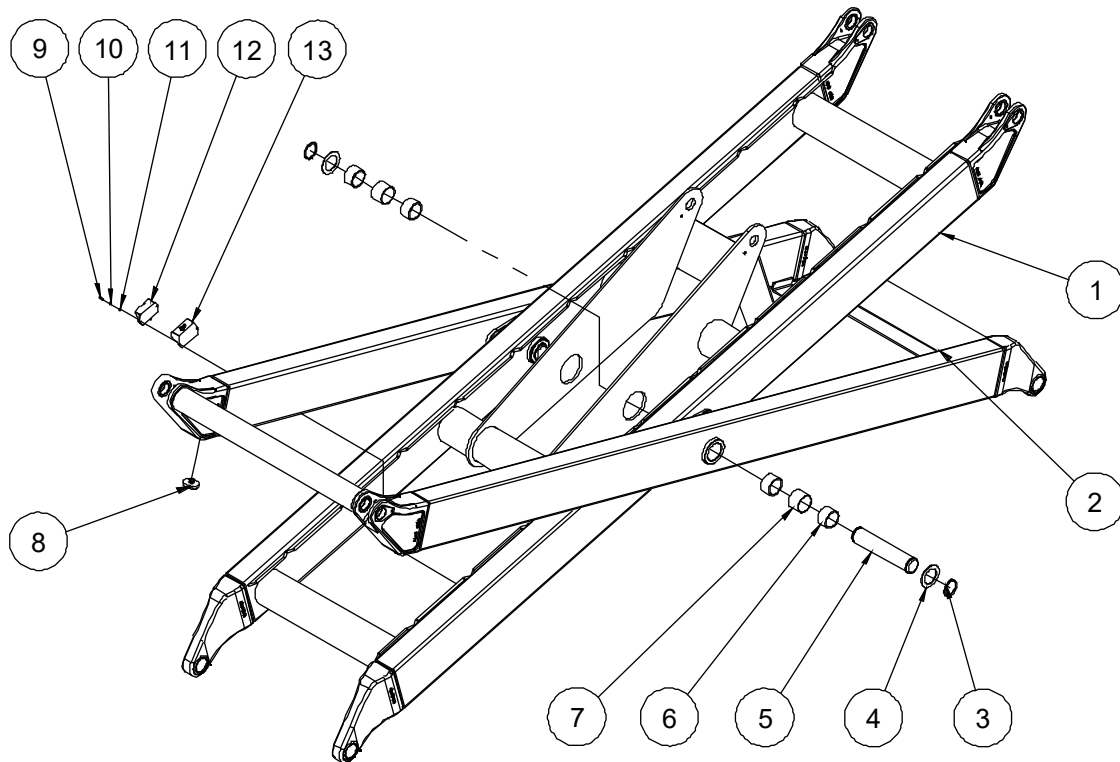
<b>Item</b>	<b>Part No.</b>	<b>Description</b>	<b>Qty.</b>
1	00001249	Nut GB/T 6182 M12	3
2	00002601	Washer GB/T 96.1 12	3
3	10003462	Cable bridge	1
4	10003464	Pin	1
5	10003461	Cable bridge	1
6	10003463	Pin	2

208.1 Scissor Arm Assembly 2-3 (JCPT1523DCB)



**208.1 Scissor Arm Assembly 2-3 (JCPT1523DCB)**

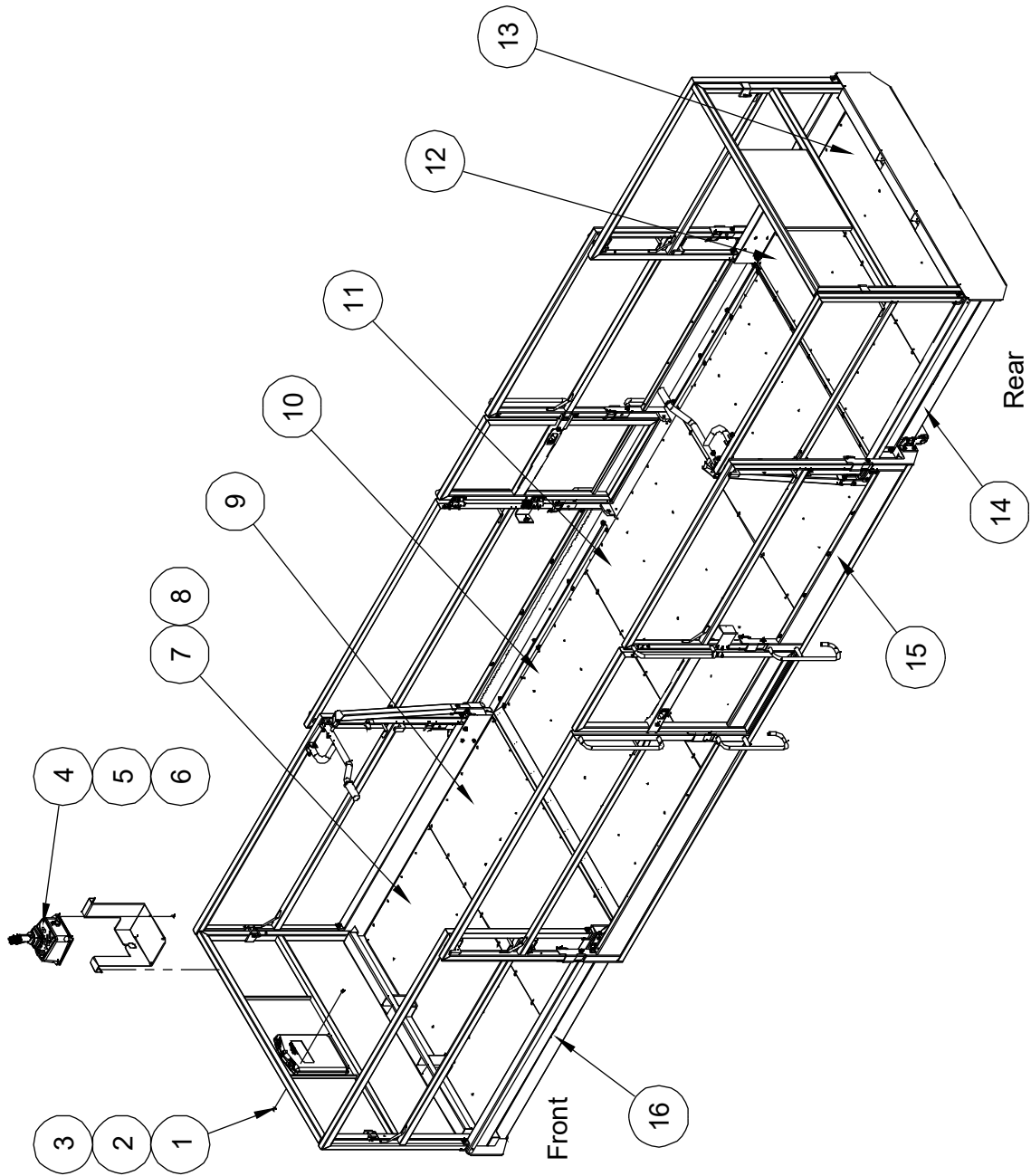
Item	Part No.	Description	Qty.
1	10018816	Outer arm III	1
2	10019281	Inner arm III	1
3	00000423	8813-455555 Bearing	4
4	00003841	896B-45×120.5 Pin	4
5	00002464	8902-12085 Pin	4
6	00000815	Washer GB/T 93 12	4
7	00000814	Washer GB/T 97.1 12	4
8	00001055	Bolt GB/T 5783 M12×40	4
9	10018809	Outer arm II	1
10	00000087	899-60268 Pin	4
11	00000430	8813-607040 Bearing	16
12	10003252	Spacer sleeve	8
13	10003250	Washer	8
14	00000953	Circlips GB/T 894.1-60	8
15	00002137	Straight fitting	2
16	10018808	Outer arm II	1
17	10005613	Clamp	1
18	00000620	Washer GB/T 97.1 6	1
19	00002029	Screw GB/T 70.1 M6×12	1
20	10018850	Block	1
21	00001027	Bolt GB/T 5782 M10×80	2
22	00000623	Nut GB/T 6182 M10	2
23	00000615	Washer GB/T 97.1 10	4
24		Cable routing device assembly (refer to 207.1)	1
25	10018822	Block	/
	10026739	Block	/

**209.1 Scissor Arm Assembly 4 (JCPT1823DCB)****209.1 Scissor Arm Assembly 4 (JCPT1823DCB)**

Item	Part No.	Description	Qty.
1	10025389	Inner arm IV	1
2	10018816	Outer arm IV	1
3	00000953	Circlips GB/T 894.1-60	4
4	10003250	Washer	4
5	00000087	899-60268 Pin	2
6	00000430	8813-607040 Bearing	8
7	10003252	Spacer sleeve	4
8	10018822	Block	/
	10026739	Block	/
9	00001054	Screw GB/T 70.1 M4×12	2
10	00000779	Washer GB/T 93 4	2
11	00000778	Washer GB/T 97.1 4	2
12	00000695	Angle sensor	1
13	10000251	Sensor cover	1

# Section 3 Platform

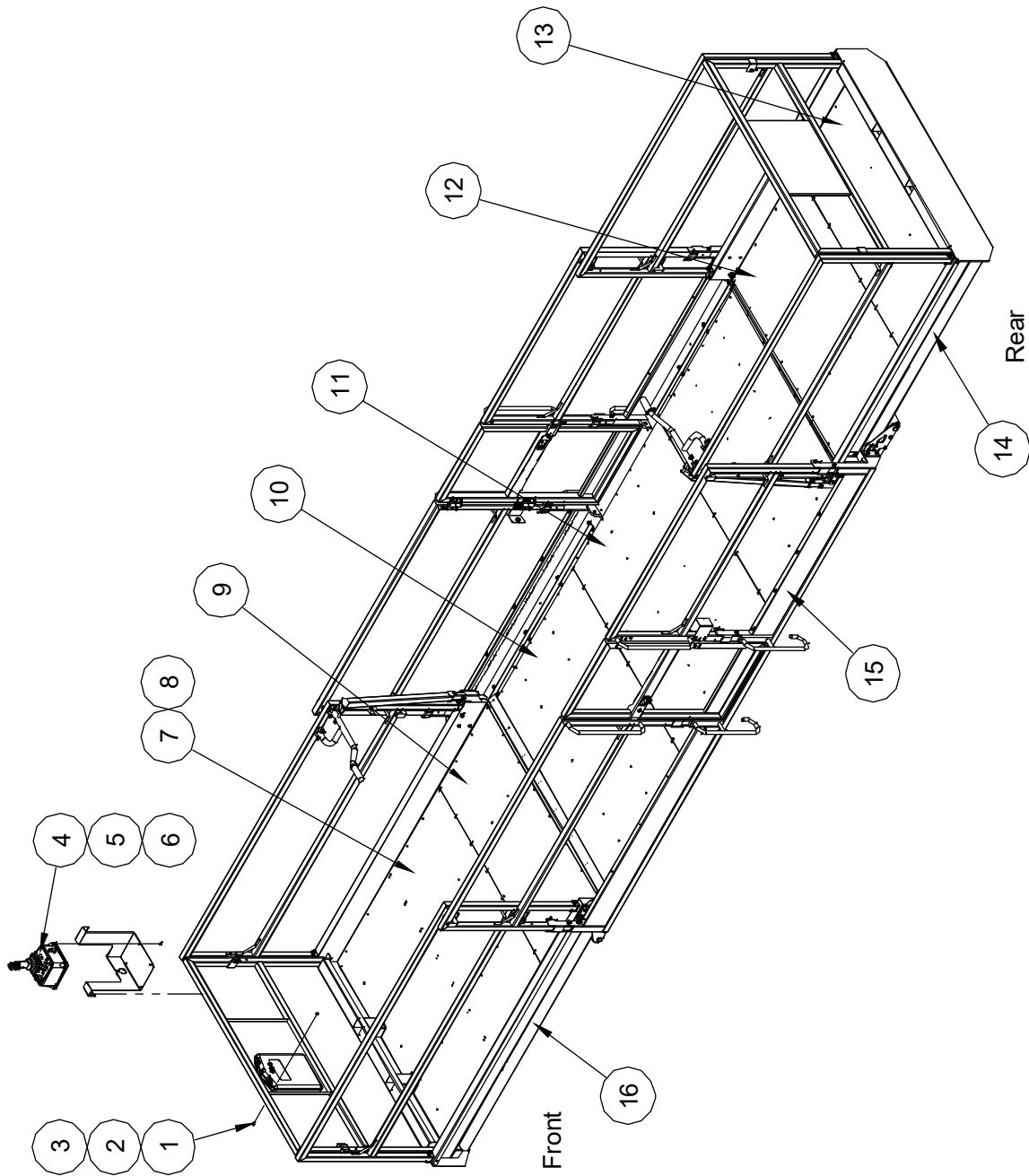
301.1 Platform Assembly (Standard Platform)



**301.1 Platform Assembly (Standard Platform)**

Item	Part No.	Description	Qty.
1	00002523	Screw GB/T 973 M5×16	4
2	50000555	Manual box	1
3	00002573	Nut GB/T 6183.1 M5	4
4		Platform control box assembly (refer to 308.1)	1
5	10004318	Platform control box mount bracket	1
	10020756	Platform control box mount bracket (with cover)	1
6	00001986	Screw GB/T 818 M6×16 - H	4
7	10019079	Platform extension deck plate 2 (Front)	1
8	00001991	Rivet GB/T 12618.4 4.8×16	214
9	10019078	Platform extension deck plate 1 (Front)	1
10	10019074	Main platform deck plate 2	2
11	10019073	Main platform deck plate 1	1
12	10019082	Platform extension deck plate 1 (Rear)	1
13	10019083	Platform extension deck plate 2 (Rear)	1
14		Rear platform extension assembly (refer to 306.1)	1
15		Main platform assembly (refer to 302.1)	1
16		Front platform extension assembly (refer to 305.1)	1

301.2 Platform Assembly (Extended Platform)

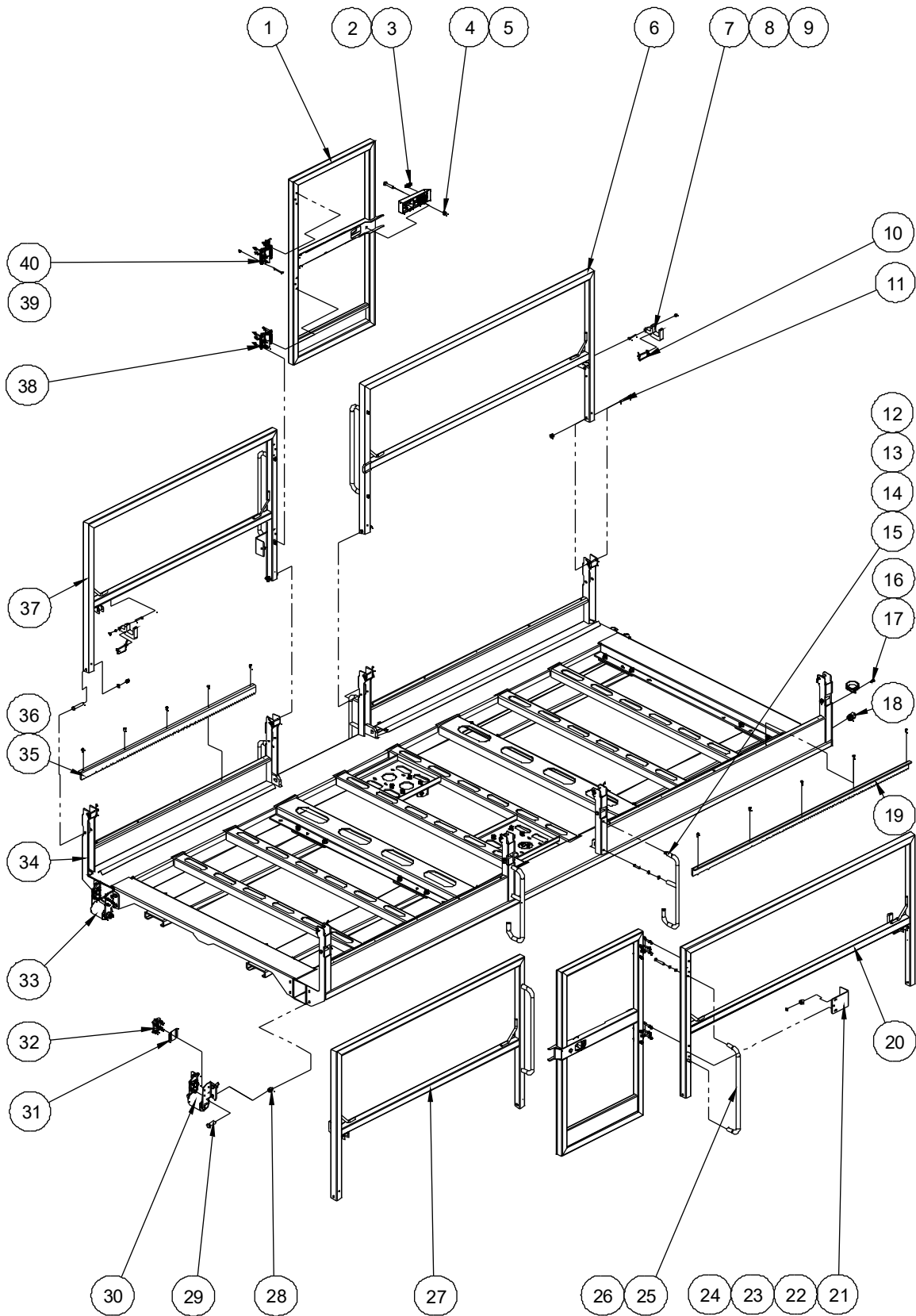




**301.2 Platform Assembly (Extended Platform)**

Item	Part No.	Description	Qty.
1	00002523	Screw GB/T 973 M5×16	4
2	50000555	Manual box	1
3	00002573	Nut GB/T 6183.1 M5	4
4		Platform control box assembly (refer to 308.1)	1
5	10004318	Platform control box mount bracket	1
	10020756	Platform control box mount bracket (with cover)	1
6	00001986	Screw GB/T 818 M6×16 - H	4
7	10019954	Platform extension deck plate 2 (Front)	1
8	00001991	Rivet GB/T 12618.4 4.8×16	226
9	10019082	Platform extension deck plate 1 (Front)	1
10	10019074	Main platform deck plate 2	2
11	10019073	Main platform deck plate 1	1
12	10019951	Platform extension deck plate 1 (Rear)	1
13	10019952	Platform extension deck plate 2 (Rear)	1
14		Rear platform extension assembly (refer to 306.2)	1
15		Main platform assembly (refer to 302.2)	1
16		Front platform extension assembly (refer to 305.2)	1

**302.1 Main Platform Assembly (Standard Platform)**



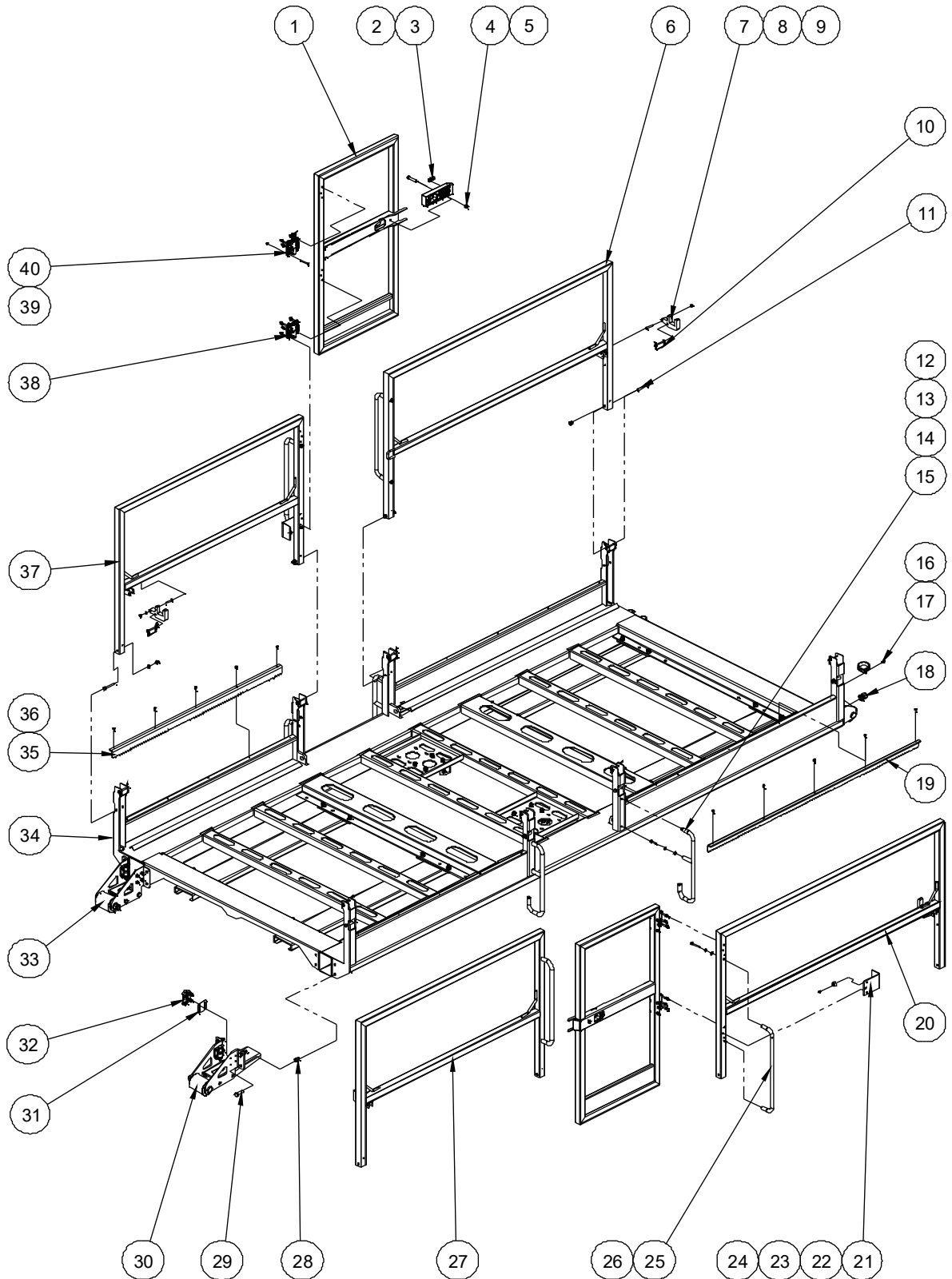
**302.1 Main Platform Assembly (Standard Platform)**

Item	Part No.	Description	Qty.
1	10016143	Entry gate	2
2	00002547	Bolt GB/T 16674 M10×55	2
3	10000367	Spring	2
4	10000331	Latch handle	2
5	00002572	Nut GB/T 6183.1 M10	10
6	10004221	Left main rail	1
7	50001717	Rail spacer	4
8	00002574	Nut GB/T 6183.1 M6	28
9	00002312	Bolt GB/T 5782 M6×45	4
10	10004174	Inserted pin	4
11	00003956	Bolt GB/T 16674 M10×70	8
12	10005035	Hand rail (JCPT1523DCB)	4
	10004126	Hand rail (JCPT1823DCB)	4
13	00002560	Screw GB/T 70.1 M8×30	8
14	00000608	Washer GB/T 97.1 8	16
15	00000609	Washer GB/T 93 8	16
16	00001231	Screw GB/T 818 M6×14 - H	1
17	10005186	Clamp	1
18	00001828	Water-proof joint M20	1
19	10004150	Extension deck lock tooth	1
20	10004227	Right main rail	1
21	10004316	Lock plate	2
22	10000376	Bumper	2
23	00002319	Screw GB/T 818 M5×10 - H	2
24	00002886	Bolt GB/T 16674 M6×60	6
25	10004190	Hand rail	4
26	00001985	Bolt GB/T 5782 M8×55	8
27	10004214	Right main rail	1
28	00002576	Nut GB/T 6183.1 M12	16

**302.1 Main Platform Assembly (Standard Platform)**

Item	Part No.	Description	Qty.
29	00002046	Bolt GB/T 5783 M12×35	16
30		Support roller assembly (refer to 303.1)	2
31	10004111	Adjusting plate	4
32		Side roller assembly (refer to 304.1)	8
33		Support roller assembly (refer to 303.1)	2
34	10016138	Main deck weldment	1
35	10004125	Extension deck lock tooth	1
36	00002865	Bolt QC/T 340 M6×14	10
37	10004208	Left main rail	1
38	10000302	Hinge B	2
39	10000299	Hinge A	2
40	00002569	Bolt GB/T 16674 M6×55	18

### 302.2 Main Platform Assembly (Extended Platform)

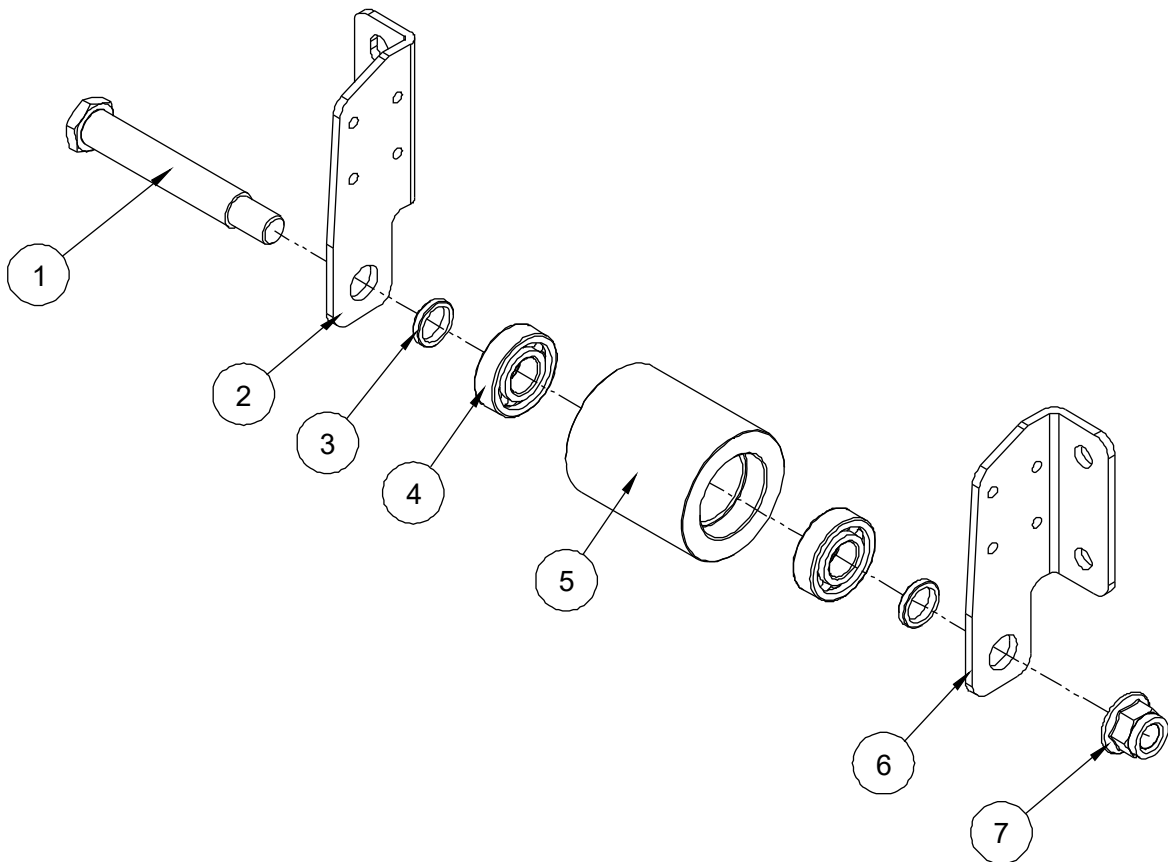


**302.2 Main Platform Assembly (Extended Platform)**

Item	Part No.	Description	Qty.
1	10016143	Entry gate	2
2	00002547	Bolt GB/T 16674 M10×55	2
3	10000367	Spring	2
4	10000331	Latch handle	2
5	00002572	Nut GB/T 6183.1 M10	10
6	10004221	Left main rail	1
7	50001717	Rail spacer	4
8	00002574	Nut GB/T 6183.1 M6	28
9	00002312	Bolt GB/T 5782 M6×45	4
10	10004174	Inserted pin	4
11	00003956	Bolt GB/T 16674 M10×70	8
12	10005035	Hand rail (JCPT1523DCB)	4
	10004126	Hand rail (JCPT1823DCB)	4
13	00002560	Screw GB/T 70.1 M8×30	8
14	00000608	Washer GB/T 97.1 8	16
15	00000609	Washer GB/T 93 8	16
16	00001231	Screw GB/T 818 M6×14 - H	1
17	10005186	Clamp	1
18	00001828	Water-proof joint M20	1
19	10004150	Extension deck lock tooth	1
20	10004227	Right main rail	1
21	10004316	Lock plate	2
22	10000376	Bumper	2
23	00002319	Screw GB/T 818 M5×10 - H	2
24	00002886	Bolt GB/T 16674 M6×60	6
25	10004190	Hand rail	4
26	00001985	Bolt GB/T 5782 M8×55	8
27	10004214	Right main rail	1
28	00002576	Nut GB/T 6183.1 M12	16

**302.2 Main Platform Assembly (Extended Platform)**

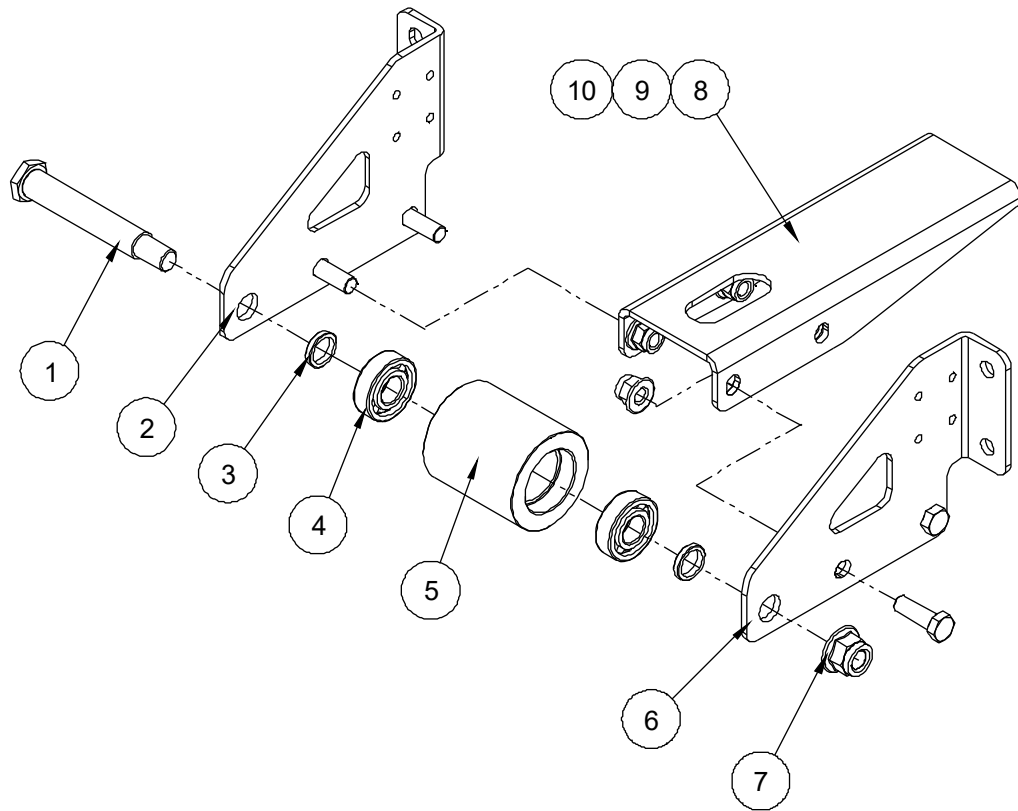
Item	Part No.	Description	Qty.
29	00002046	Bolt GB/T 5783 M12×35	16
30		Support roller assembly (refer to 303.2)	2
31	10004111	Adjusting plate	4
32		Side roller assembly (refer to 304.1)	8
33		Support roller assembly (refer to 303.2)	2
34	10016138	Main deck weldment	1
35	10004125	Extension deck lock tooth	1
36	00002865	Bolt QC/T 340 M6×14	10
37	10004208	Left main rail	1
38	10000302	Hinge B	2
39	10000299	Hinge A	2
40	00002569	Bolt GB/T 16674 M6×55	18

**303.1 Support Roller Assembly (Standard Platform)****303.1 Support Roller Assembly (Standard Platform)**

Item	Part No.	Description	Qty.
1	10004140	Pin	1
2	10004149	Roller bracket 2	1
3	10004141	Shim	2
4	00001295	Bearing GB/T 276-1994 - 6204	2
5	10004142	Roller	1
6	10004148	Roller bracket	1
7	00002578	Nut GB/T 6183.1 M16	1

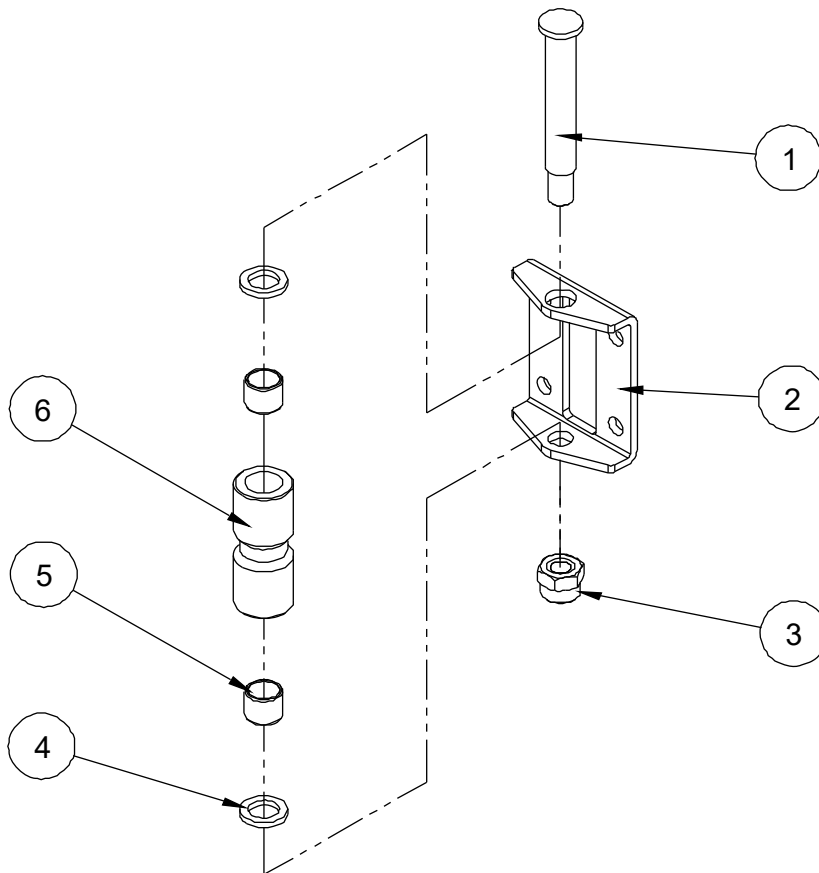


**303.2 Support Roller Assembly (Extended Platform)**



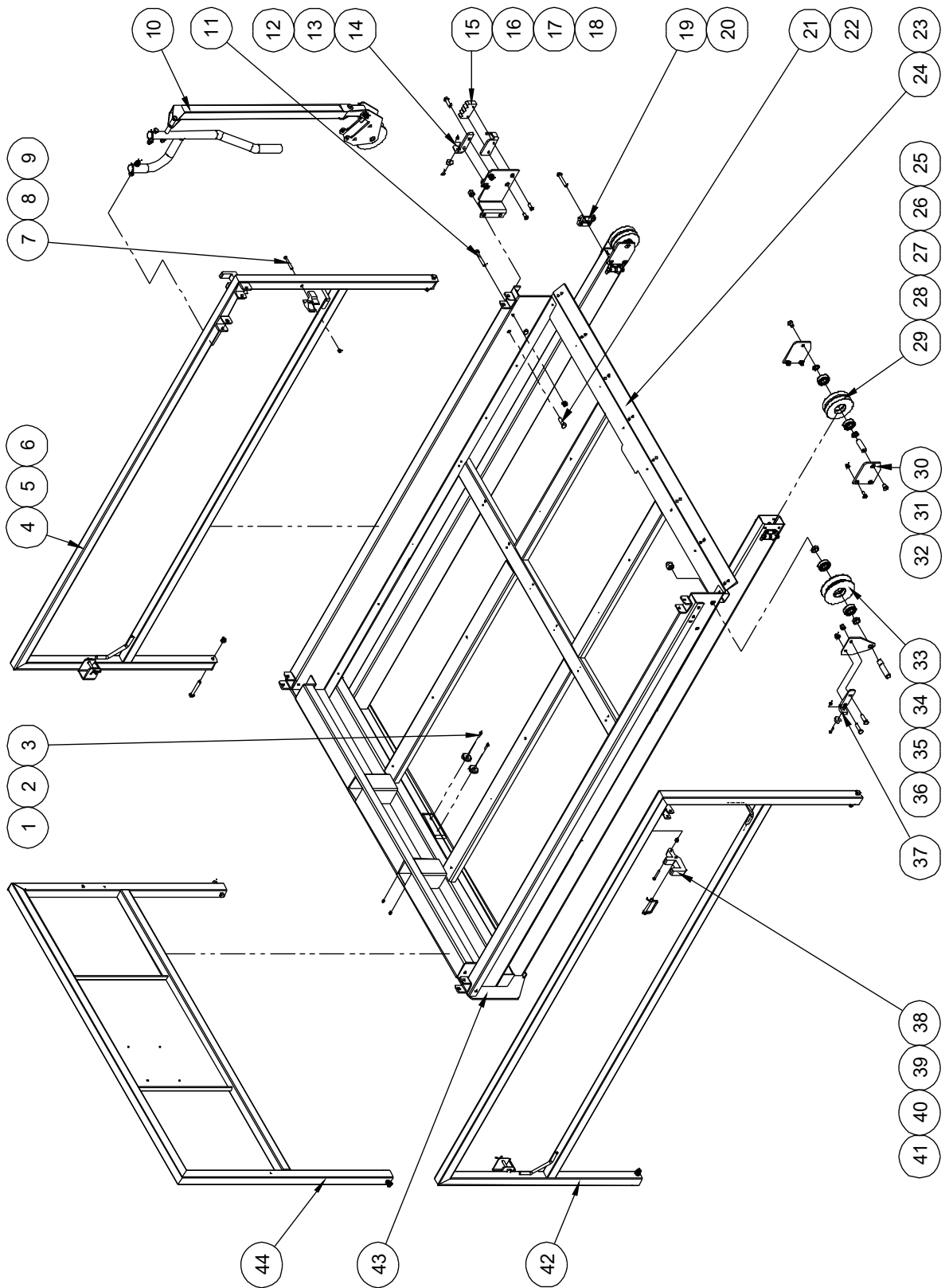
**303.2 Support Roller Assembly (Extended Platform)**

Item	Part No.	Description	Qty.
1	10004140	Pin	1
2	10005506	Roller bracket 2	1
3	10004141	Shim	2
4	00001295	Bearing GB/T 276-1994 - 6204	2
5	10004142	Roller	1
6	10005505	Roller bracket	1
7	00002578	Nut GB/T 6183.1 M16	1
8	10005507	Base plate	1
9	00002046	Bolt GB/T 5783 M12×35	8
10	00002576	Nut GB/T 6183.1 M12	8

**304.1 Side Roller Assembly****304.1 Side Roller Assembly**

Item	Part No.	Description	Qty.
1	10004145	Pin	1
2	10004144	Roller bracket	1
3	00002575	Nut GB/T 6183.1 M8	1
4	00005116	Washer GB/T 848 10	2
5	00000340	8812-101210 Bearing	2
6	10004146	Roller	1

**305.1 Front Platform Extension Assembly (Standard Platform)**



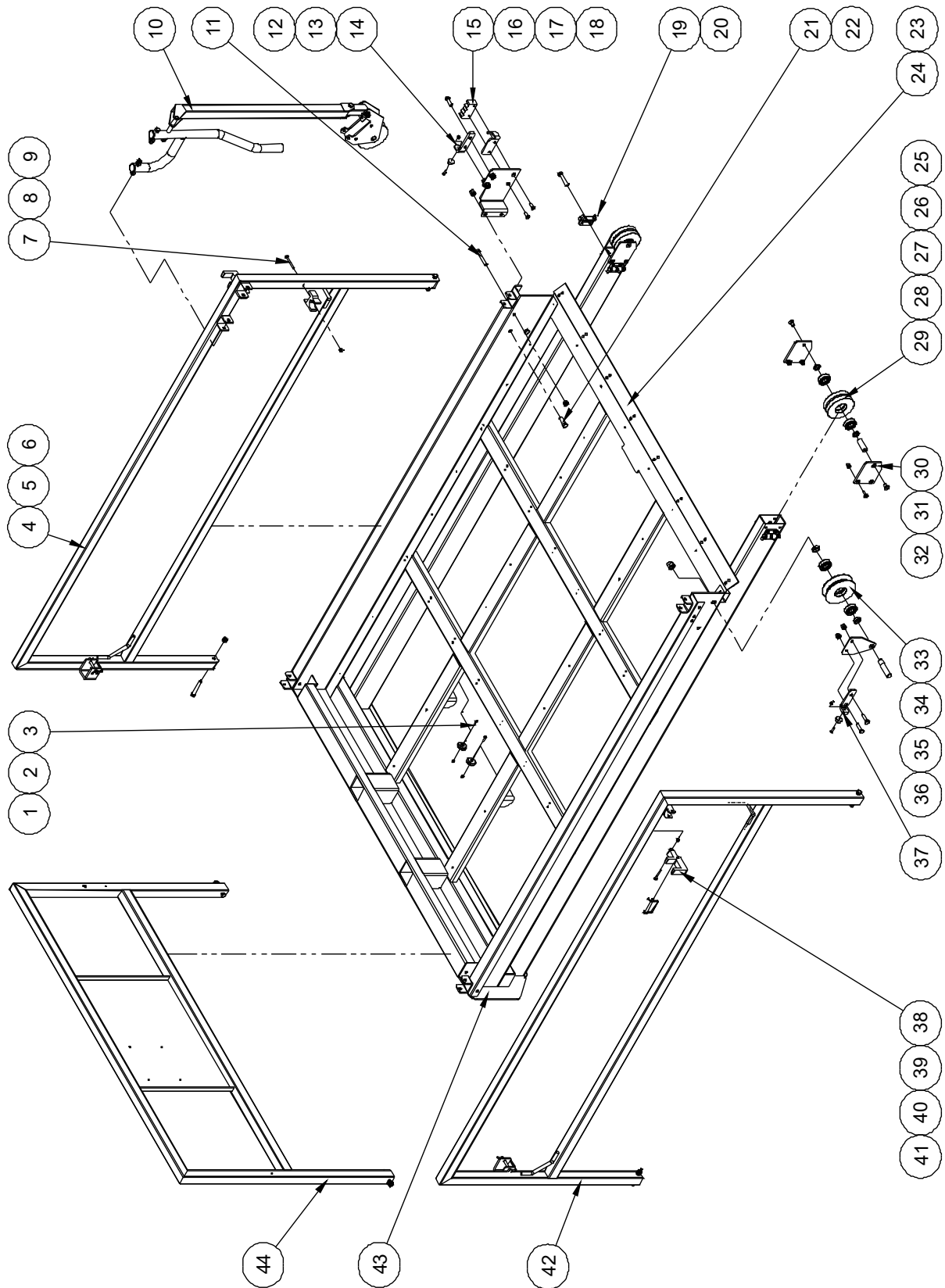
**305.1 Front Platform Extension Assembly (Standard Platform)**

Item	Part No.	Description	Qty.
1	00002573	Nut GB/T 6183.1 M5	4
2	10004200	Bumper	2
3	00001173	Screw GB/T 70.2 M5×20	4
4	10004233	Right extension rail	1
5	00003956	Bolt GB/T 16674 M10×70	6
6	00002572	Nut GB/T 6183.1 M10	13
7	00001066	Bolt GB/T 5782 M6×55	1
8	10004170	Catch clip	1
9	00001033	Nut GB/T 6182 M6	1
10		Platform locking device assembly (refer to 307.1)	1
11	00002512	Bolt GB/T 5782 M10×70	1
12	10000376	Bumper	2
13	00000684	Bolt GB/T 5783 M10×35	4
14	10004108	Locating plate 1	1
15	10004206	Lock tooth	1
16	10004205	Lock tooth seat	1
17	10004201	Lock seat	1
18	00000838	Screw GB/T 70.3 M8×25	2
19		Side roller assembly (refer to 304.1)	4
20	00002599	Bolt GB/T 5782 M6×65	8
21	00002059	Bolt GB/T 5783 M12×30	2
22	00002576	Nut GB/T 6183.1 M12	2
23	00001991	Rivet GB/T 12618.4 4.8×16	16
24	10000136	Rubber plate	1
25	00000846	Screw GB/T 70.3 M10×25	4
26	10004178	Washer	4
27	00001295	Bearing GB/T 276-1994 - 6204	6
28	10004177	Roller	2
29	10004176	Roller bracket 1	2

**305.1 Front Platform Extension Assembly (Standard Platform)**

Item	Part No.	Description	Qty.
30	10004175	Roller bracket 2	2
31	10004179	Pin	2
32	00002575	Nut GB/T 6183.1 M8	8
33	10004202	Roller	1
34	10004207	Washer	2
35	10021655	Roller bracket	1
36	10021656	Pin	1
37	10004180	Locating plate 2	1
38	50001717	Rail spacer	2
39	10004174	Inserted pin	2
40	00002312	Bolt GB/T 5782 M6×45	2
41	00002574	Nut GB/T 6183.1 M6	10
42	10004243	Left extension rail	1
43	10019076	Extension deck weldment	1
44	10004282	Front rail	1

### 305.2 Front Platform Extension Assembly (Extended Platform)



**305.2 Front Platform Extension Assembly (Extended Platform)**

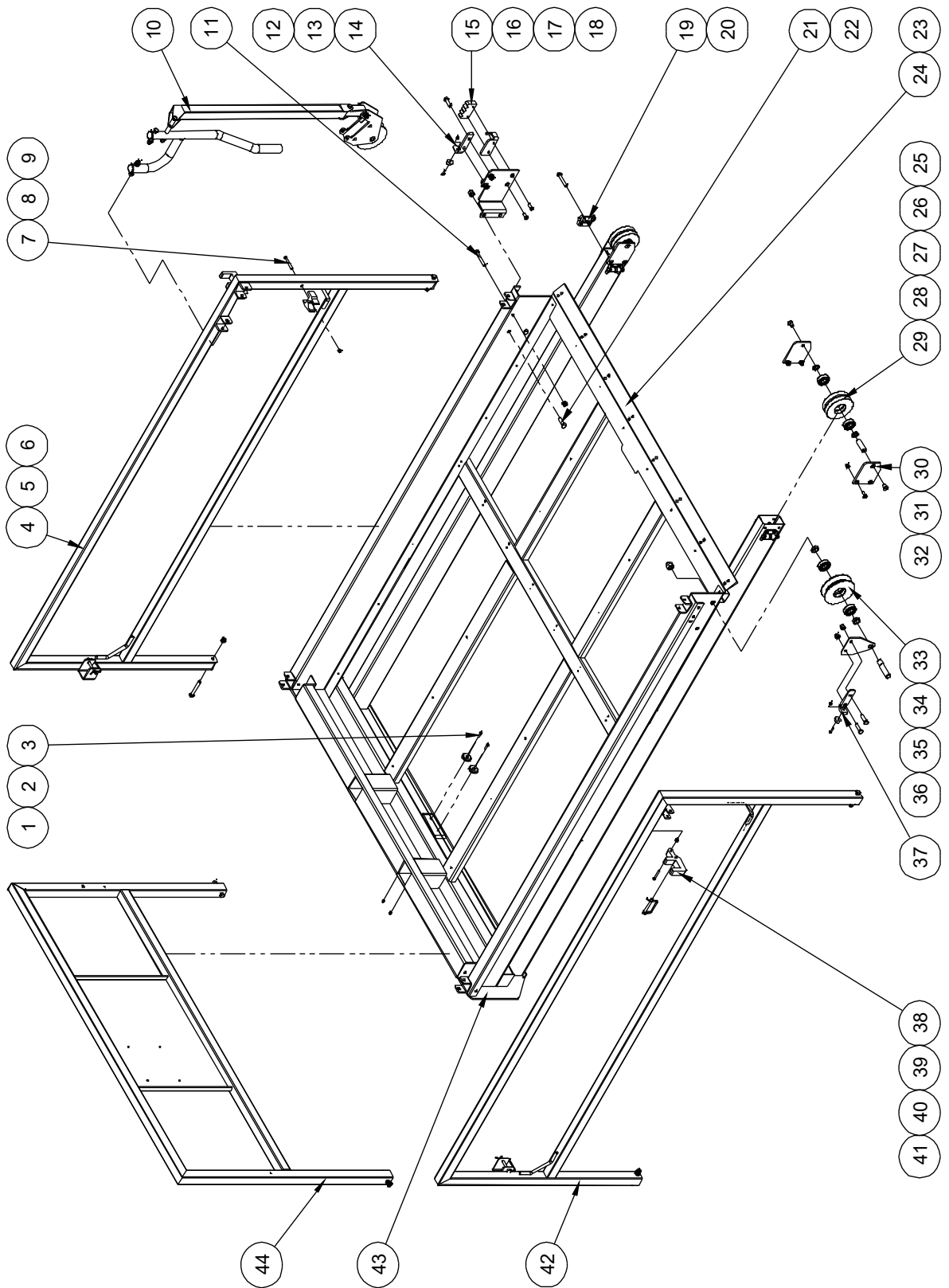
Item	Part No.	Description	Qty.
1	00002573	Nut GB/T 6183.1 M5	4
2	10004200	Bumper	2
3	00001173	Screw GB/T 70.2 M5×20	4
4	10005547	Right extension rail	1
5	00003956	Bolt GB/T 16674 M10×70	6
6	00002572	Nut GB/T 6183.1 M10	13
7	00001066	Bolt GB/T 5782 M6×55	1
8	10004170	Catch clip	1
9	00001033	Nut GB/T 6182 M6	1
10		Platform locking device assembly (refer to 307.1)	1
11	00002512	Bolt GB/T 5782 M10×70	1
12	10000376	Bumper	2
13	00000684	Bolt GB/T 5783 M10×35	4
14	10004108	Locating plate 1	1
15	10004206	Lock tooth	1
16	10004205	Lock tooth seat	1
17	10004201	Lock seat	1
18	00000838	Screw GB/T 70.3 M8×25	2
19		Side roller assembly (refer to 304.1)	4
20	00002599	Bolt GB/T 5782 M6×65	8
21	00002059	Bolt GB/T 5783 M12×30	2
22	00002576	Nut GB/T 6183.1 M12	2
23	00001991	Rivet GB/T 12618.4 4.8×16	16
24	10000136	Rubber plate	1
25	00000846	Screw GB/T 70.3 M10×25	4
26	10004178	Washer	4
27	00001295	Bearing GB/T 276-1994 - 6204	6
28	10004177	Roller	2
29	10004176	Roller bracket 1	2

**305.2 Front Platform Extension Assembly (Extended Platform)**

Item	Part No.	Description	Qty.
30	10004175	Roller bracket 2	2
31	10004179	Pin	2
32	00002575	Nut GB/T 6183.1 M8	8
33	10004202	Roller	1
34	10004207	Washer	2
35	10021655	Roller bracket	1
36	10021656	Pin	1
37	10004180	Locating plate 2	1
38	50001717	Rail spacer	2
39	10004174	Inserted pin	2
40	00002312	Bolt GB/T 5782 M6×45	2
41	00002574	Nut GB/T 6183.1 M6	10
42	10005544	Left extension rail	1
43	10019953	Extension deck weldment	1
44	10004282	Front rail	1



**306.1 Rear Platform Extension Assembly (Standard Platform)**



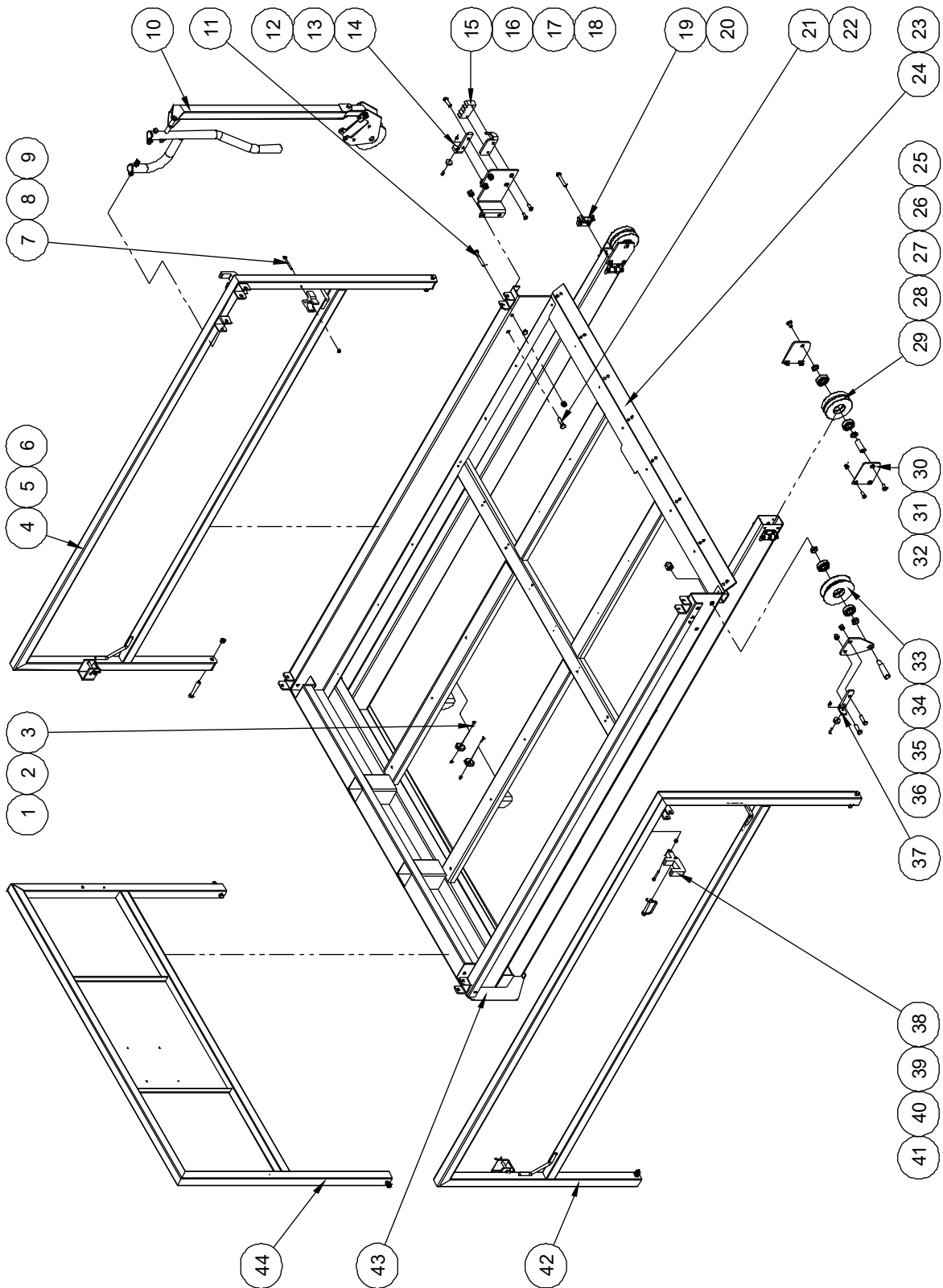
**306.1 Rear Platform Extension Assembly (Standard Platform)**

Item	Part No.	Description	Qty.
1	00002573	Nut GB/T 6183.1 M5	4
2	10004200	Bumper	2
3	00001173	Screw GB/T 70.2 M5×20	4
4	10004269	Right extension rail	1
5	00003956	Bolt GB/T 16674 M10×70	6
6	00002572	Nut GB/T 6183.1 M10	13
7	00001066	Bolt GB/T 5782 M6×55	1
8	10004170	Catch clip	1
9	00001033	Nut GB/T 6182 M6	1
10		Platform locking device assembly (refer to 307.1)	1
11	00002512	Bolt GB/T 5782 M10×70	1
12	10000376	Bumper	2
13	00000684	Bolt GB/T 5783 M10×35	4
14	10004108	Locating plate 1	1
15	10004206	Lock tooth	1
16	10004205	Lock tooth seat	1
17	10004201	Lock seat	1
18	00000838	Screw GB/T 70.3 M8×25	2
19		Side roller assembly (refer to 304.1)	4
20	00002599	Bolt GB/T 5782 M6×65	8
21	00002059	Bolt GB/T 5783 M12×30	2
22	00002576	Nut GB/T 6183.1 M12	2
23	00001991	Rivet GB/T 12618.4 4.8×16	16
24	10000136	Rubber plate	1
25	00000846	Screw GB/T 70.3 M10×25	4
26	10004178	Washer	4
27	00001295	Bearing GB/T 276-1994 - 6204	6
28	10004177	Roller	2
29	10004176	Roller bracket 1	2

**306.1 Rear Platform Extension Assembly (Standard Platform)**

Item	Part No.	Description	Qty.
30	10004175	Roller bracket 2	2
31	10004179	Pin	2
32	00002575	Nut GB/T 6183.1 M8	8
33	10004202	Roller	1
34	10004207	Washer	2
35	10021655	Roller bracket	1
36	10021656	Pin	1
37	10004180	Locating plate 2	1
38	50001717	Rail spacer	2
39	10004174	Inserted pin	2
40	00002312	Bolt GB/T 5782 M6×45	2
41	00002574	Nut GB/T 6183.1 M6	10
42	10004262	Left extension rail	1
43	10019081	Extension deck weldment	1
44	10004282	Front rail	1

### 306.2 Rear Platform Extension Assembly (Extended Platform)



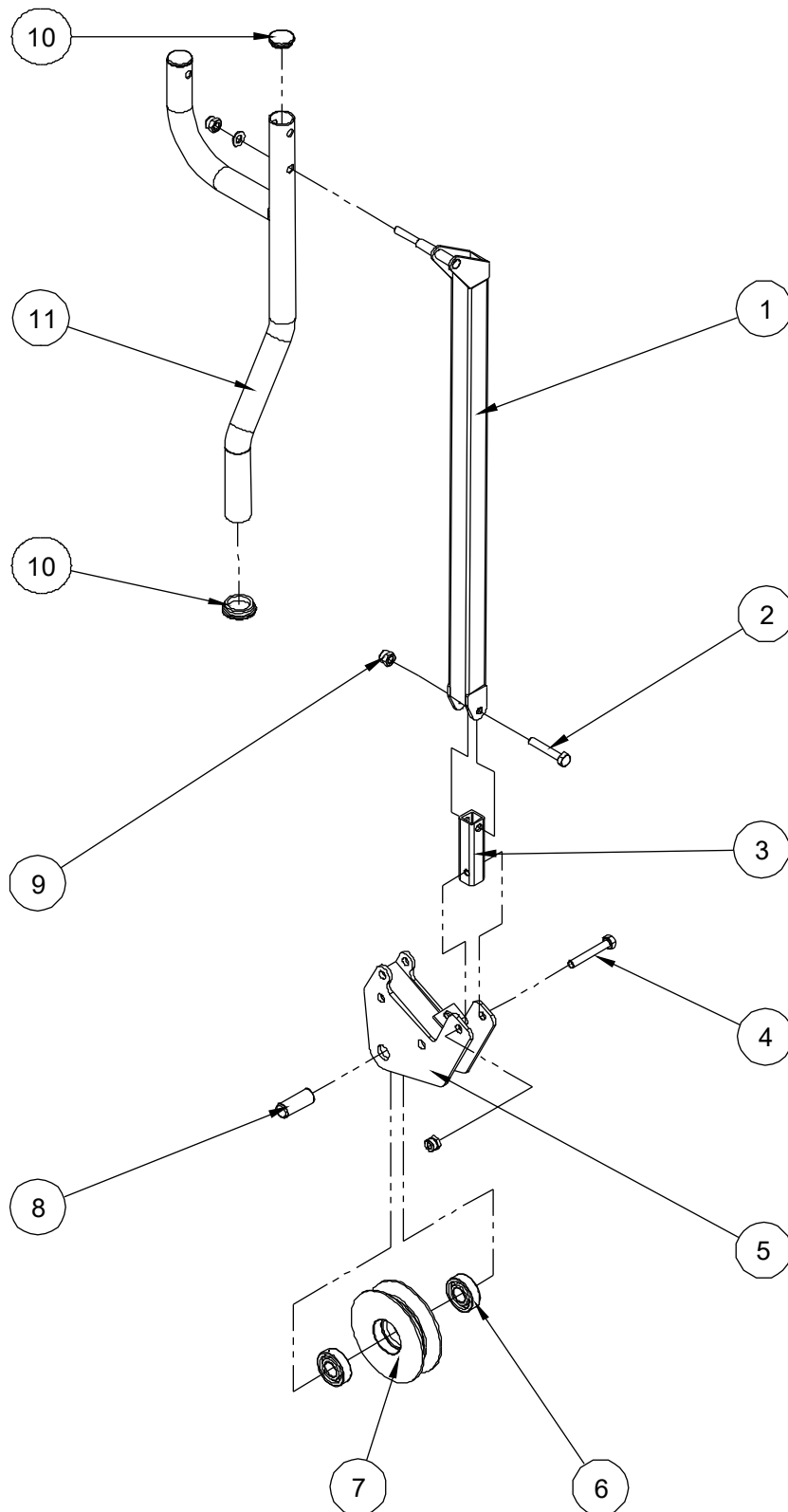
**306.2 Rear Platform Extension Assembly (Extended Platform)**

Item	Part No.	Description	Qty.
1	00002573	Nut GB/T 6183.1 M5	4
2	10004200	Bumper	2
3	00001173	Screw GB/T 70.2 M5×20	4
4	10005548	Right extension rail	1
5	00003956	Bolt GB/T 16674 M10×70	6
6	00002572	Nut GB/T 6183.1 M10	13
7	00001066	Bolt GB/T 5782 M6×55	1
8	10004170	Catch clip	1
9	00001033	Nut GB/T 6182 M6	1
10		Platform locking device assembly (refer to 307.1)	1
11	00002512	Bolt GB/T 5782 M10×70	1
12	10000376	Bumper	2
13	00000684	Bolt GB/T 5783 M10×35	4
14	10004108	Locating plate 1	1
15	10004206	Lock tooth	1
16	10004205	Lock tooth seat	1
17	10004201	Lock seat	1
18	00000838	Screw GB/T 70.3 M8×25	2
19		Side roller assembly (refer to 304.1)	4
20	00002599	Bolt GB/T 5782 M6×65	8
21	00002059	Bolt GB/T 5783 M12×30	2
22	00002576	Nut GB/T 6183.1 M12	2
23	00001991	Rivet GB/T 12618.4 4.8×16	16
24	10000136	Rubber plate	1
25	00000846	Screw GB/T 70.3 M10×25	4
26	10004178	Washer	4
27	00001295	Bearing GB/T 276-1994 - 6204	6
28	10004177	Roller	2
29	10004176	Roller bracket 1	2

**306.2 Rear Platform Extension Assembly (Extended Platform)**

Item	Part No.	Description	Qty.
30	10004175	Roller bracket 2	2
31	10004179	Pin	2
32	00002575	Nut GB/T 6183.1 M8	8
33	10004202	Roller	1
34	10004207	Washer	2
35	10021655	Roller bracket	1
36	10021656	Pin	1
37	10004180	Locating plate 2	1
38	50001717	Rail spacer	2
39	10004174	Inserted pin	2
40	00002312	Bolt GB/T 5782 M6×45	2
41	00002574	Nut GB/T 6183.1 M6	10
42	10005551	Left extension rail	1
43	10019950	Extension deck weldment	1
44	10004282	Front rail	1

**307.1 Platform Locking Device Assembly**

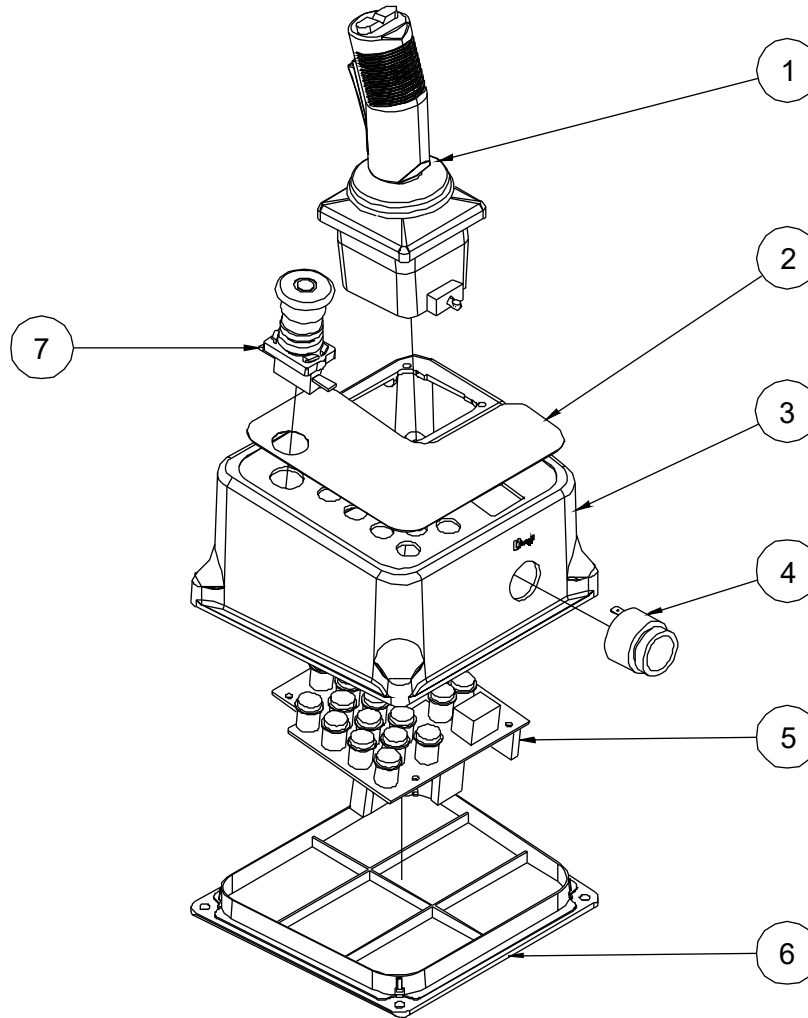


**307.1 Platform Locking Device Assembly**

Item	Part No.	Description	Qty.
1	10004299	Tie rod weldment	1
2	00001984	Bolt GB/T 5782 M10×60	1
3	10004308	Connection rod	1
4	00002512	Bolt GB/T 5782 M10×70	4
5	10004137	Roller bracket	1
6	00001295	Bearing GB/T 276-1994 - 6204	2
7	10004202	Roller	1
8	00000413	893-20050 Pin	1
9	00002572	Nut GB/T 6183.1 M10	2
10	10004309	Cover	3
11	10004304	Handle	1



**308.1 Platform Control Box Assembly**

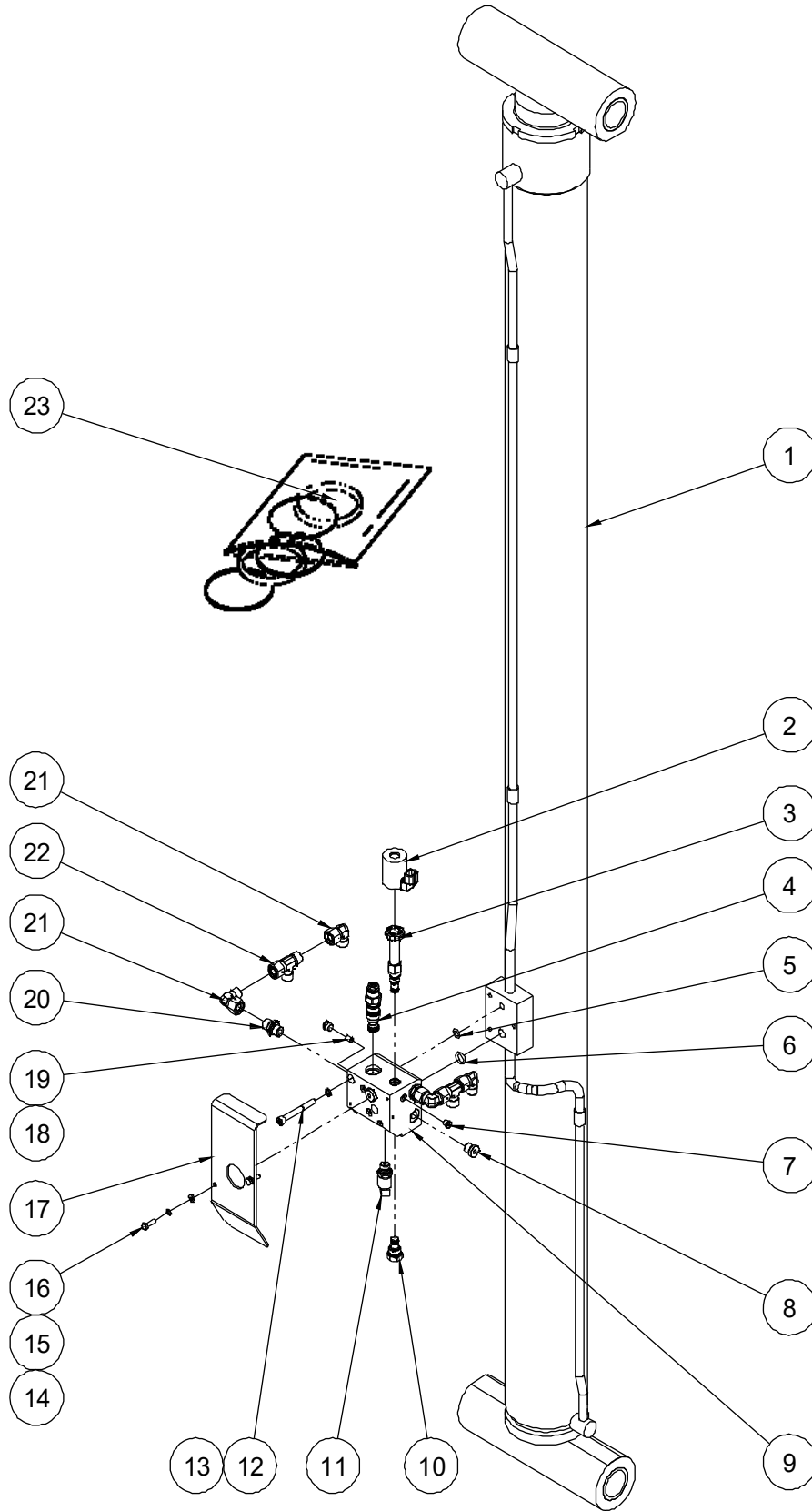


**308.1 Platform Control Box Assembly**

Item	Part No.	Description	Qty.
1	00004358	Joystick	1
2	09140035	Decal, Platform control panel	1
3	00004356	Enclosure	1
4	00000712	Alarm	1
5	00004357	Main board	1
6	00004355	Cover bottom	1
7	00000713	Emergency stop switch	1

# Section 4 Hydraulic System

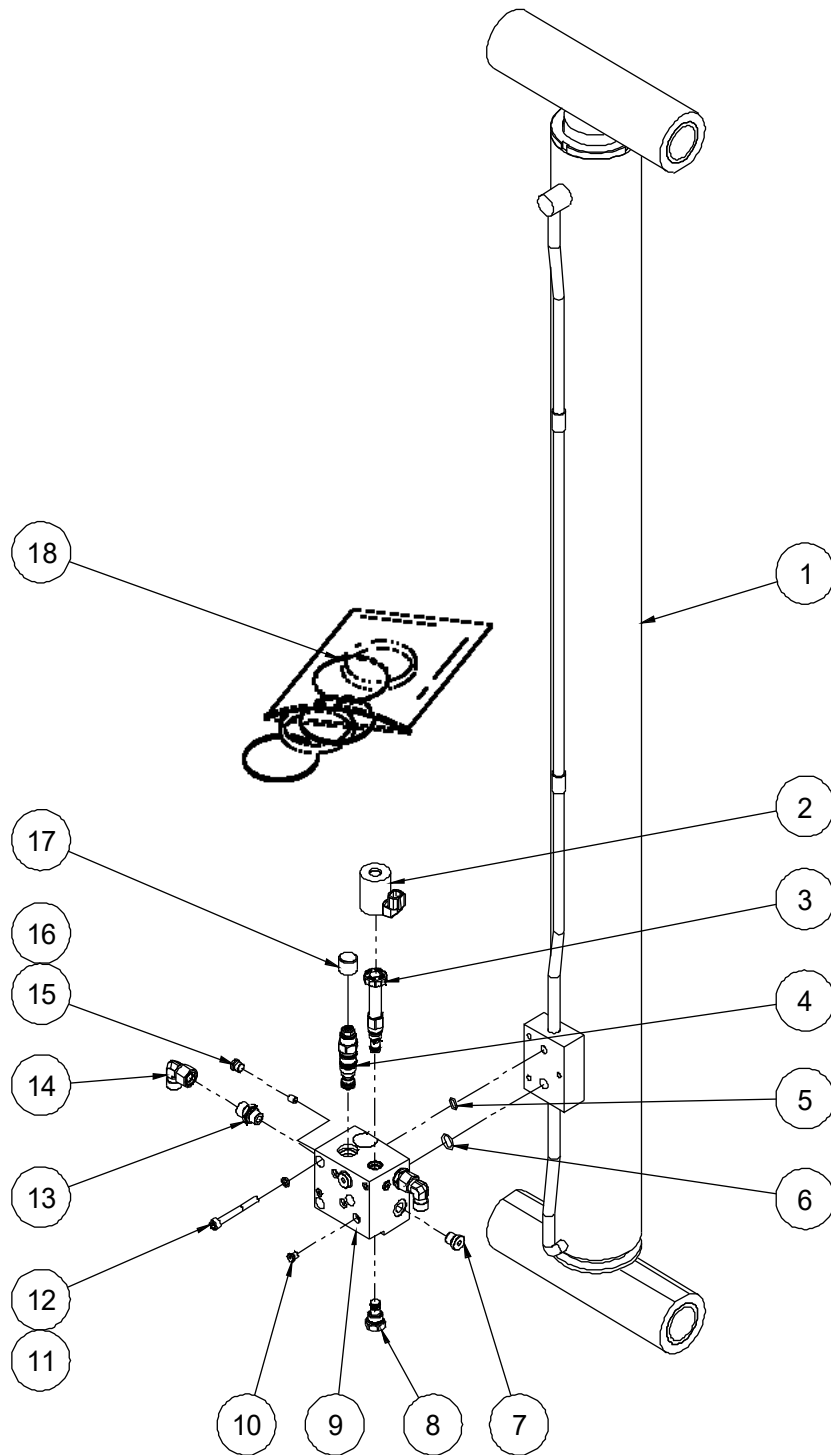
### 401.1 Lower Lift Cylinder Assembly



**401.1 Lower Lift Cylinder Assembly**

Item	Part No.	Description	Qty.
1	10025520	Lower lift cylinder	1
2	00004592	Coil	1
3	00004591	Solenoid valve spool (SV11)	1
4	00003373	Counterbalance valve spool (CB1) (JCPT1523DCB)	1
	00003357	Counterbalance valve spool (CB1) (JCPT1823DCB)	1
5	00001660	O-ring As568A 12.42×1.78	1
6	00001709	O-ring As568A 15.54×2.62	1
7	00002999	Plug SAE2	6
8	00001073	Plug VST114×1.5ED	2
9	00010939	Valve body	1
10	10000404	Check valve (CV3)	1
11	00007393	Pressure sensor	1
12	00003135	Screw GB/T 70.1 M8×70	3
13	00000609	Washer GB/T 93 8	3
14	00000620	Washer GB/T 97.1 6	2
15	00000621	Washer GB/T 93 6	2
16	00000743	Bolt GB/T 5783 M6×20	2
17	10018085	Protect cover	1
18	00002998	Plug SAE4	1
19	00006190	Orifice 3/8-16_Φ2.0(ORF2) (JCPT1523DCB)	1
	00010940	Orifice 3/8-16_Φ1.9 (ORF2) (JCPT1823DCB)	1
20	00001294	Straight fitting	2
21	00001834	Elbow (JCPT1523DCB)	2
	00001834	Elbow (JCPT1823DCB)	4
22	00001239	Tee fitting (JCPT1823DCB)	2
23	00008964	Seal kit	1

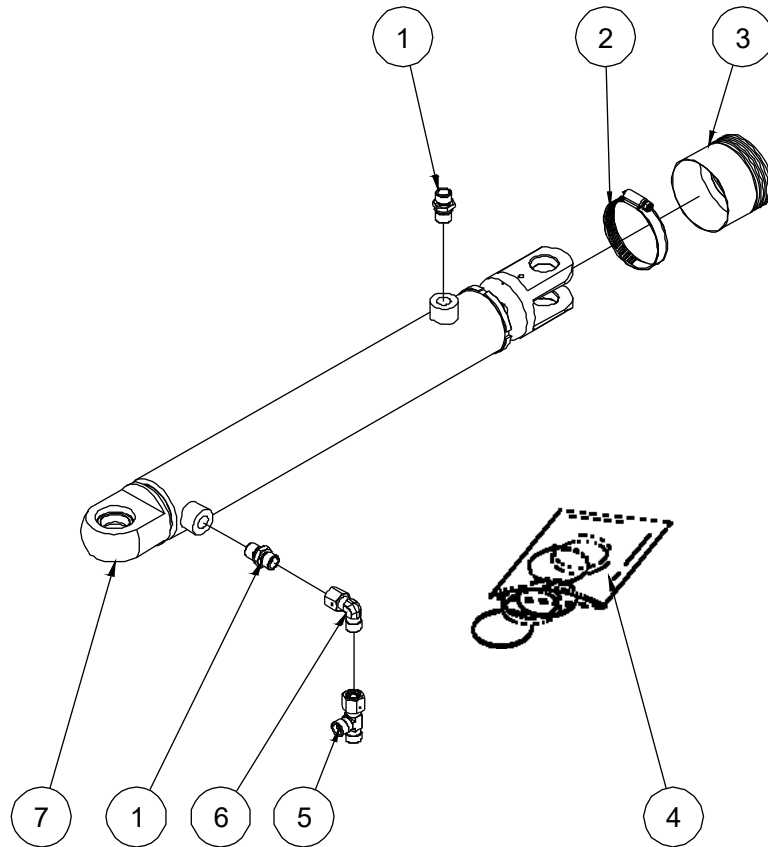
402.1 Upper Lift Cylinder Assembly (JCPT1823DCB)



**402.1 Upper Lift Cylinder Assembly (JCPT1823DCB)**

Item	Part No.	Description	Qty.
1	10024830	Upper lift cylinder	1
2	00004592	Coil	1
3	00004591	Solenoid valve spool (SV12)	1
4	00008925	Counterbalance valve spool (CB2)	1
5	00001660	O-ring As568A 12.42×1.78	1
6	00001709	O-ring As568A 15.54×2.62	1
7	00001073	Plug VST114×1.5ED	3
8	10000404	Check valve (CV4)	1
9	00007920	Valve body	1
10	00002999	Plug SAE2	6
11	00000609	Washer GB/T 93 8	3
12	00003135	Screw GB/T 70.1 M8×70	3
13	00001294	Straight fitting	2
14	00001834	Elbow	2
15	00002998	Plug SAE4	1
16	00004596	Orifice 3/8-16_Φ1.3 (ORF3)	1
17	00004642	Cover	1
18	00008965	Seal kit	1

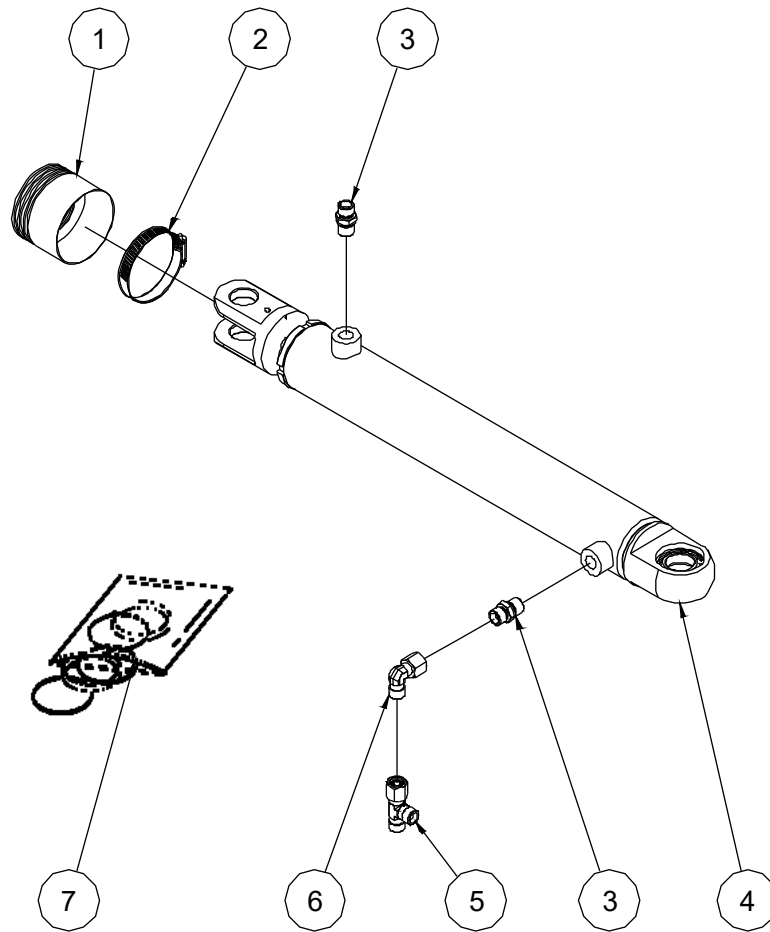
**403.1 Left Steer Cylinder Assembly**



**403.1 Left Steer Cylinder Assembly**

Item	Part No.	Description	Qty.
1	00001282	Straight fitting	2
2	00003623	Clamp	1
3	10005460	Dustproof sleeve	1
4	00000278	Seal kit	1
5	00001237	Tee fitting	1
6	00001832	Elbow	1
7	10003581	Left steer cylinder	1

**404.1 Right Steer Cylinder Assembly**

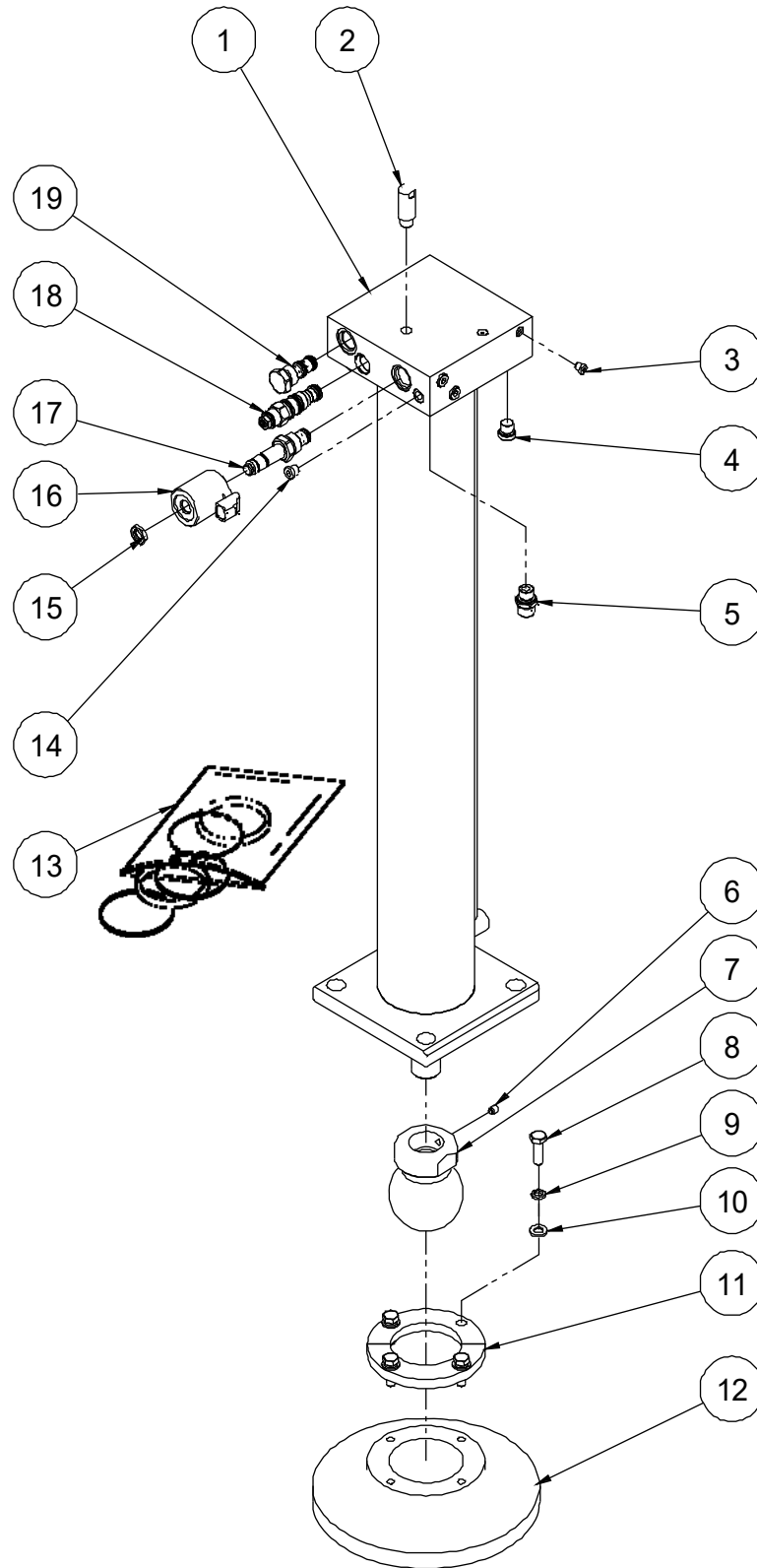


**404.1 Right Steer Cylinder Assembly**

Item	Part No.	Description	Qty.
1	10005460	Dustproof sleeve	1
2	00003623	Clamp	1
3	00001282	Straight fitting	2
4	10003562	Right steer cylinder	1
5	00001237	Tee fitting	1
6	00001832	Elbow	1
7	00000278	Seal kit	1



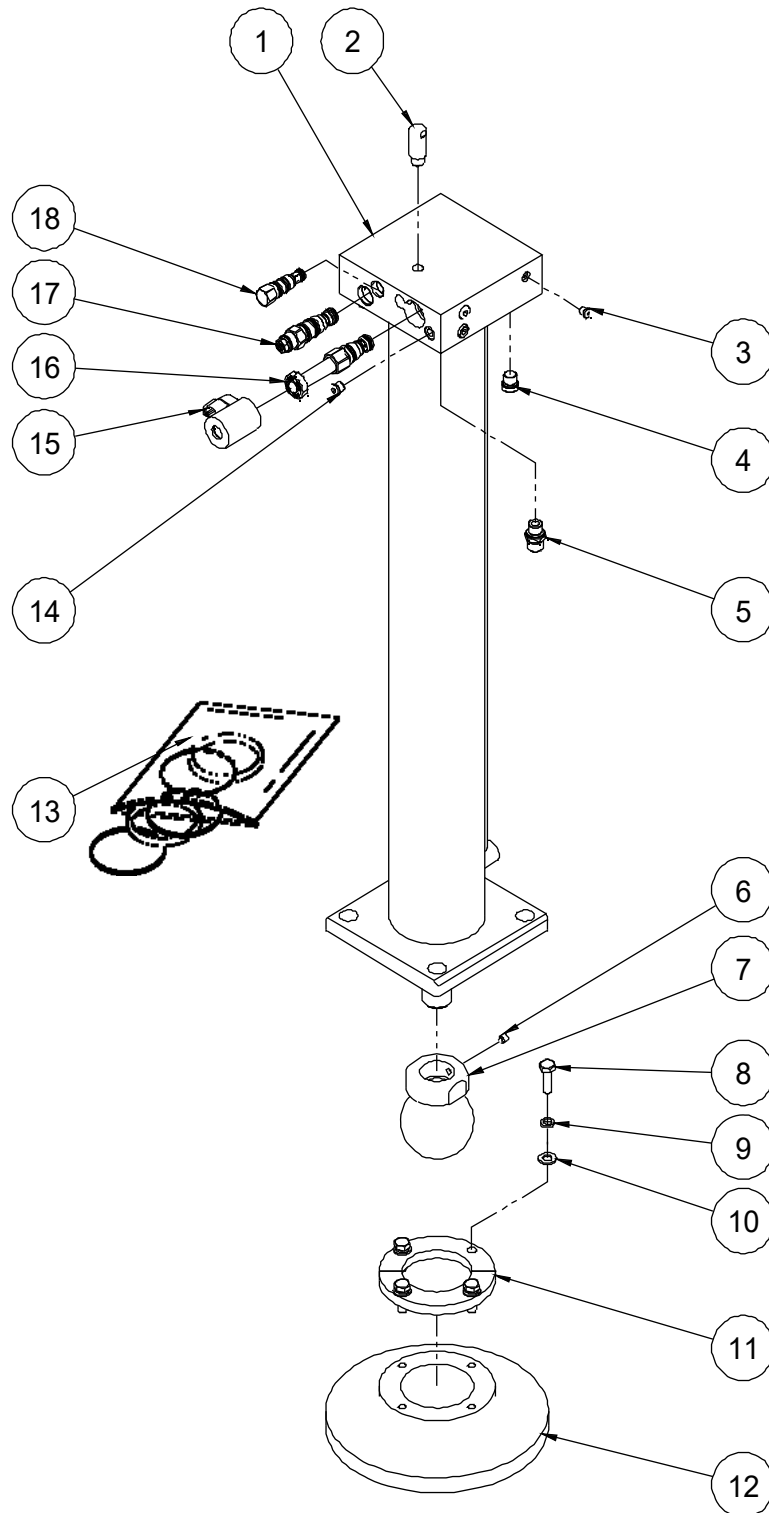
### 405.1 Outrigger Cylinder Assembly



**405.1 Outrigger Cylinder Assembly**

Item	Part No.	Description	Qty.
1	10025306	Outrigger cylinder	1
2	10000001	Pin	1
3	00002999	Plug SAE2	3
4	00001111	Plug VST11/4ED	2
5	00001294	Straight fitting	2
6	00002003	Screw GB/T 79 M8×10	1
7	10020349	Ball	1
8	00000683	Bolt GB/T 5783 M10×30	4
9	00000679	Washer GB/T 93 10	4
10	00000615	Washer GB/T 97.1 10	4
11	10004004	Retainer	1
12	10003999	Outrigger footpad	1
13	00009954	Seal kit	1
14	00002998	Plug SAE4	6
15	00003017	Nut	1
16	00008559	Coil	1
17	00003280	Solenoid valve spool (SV7, SV8, SV9, SV10)	1
18	00009755	Counterbalance valve spool (CB4)	1
19	00003281	Pilot-operated check valve (PC1, PC2, PC3, PC4)	1

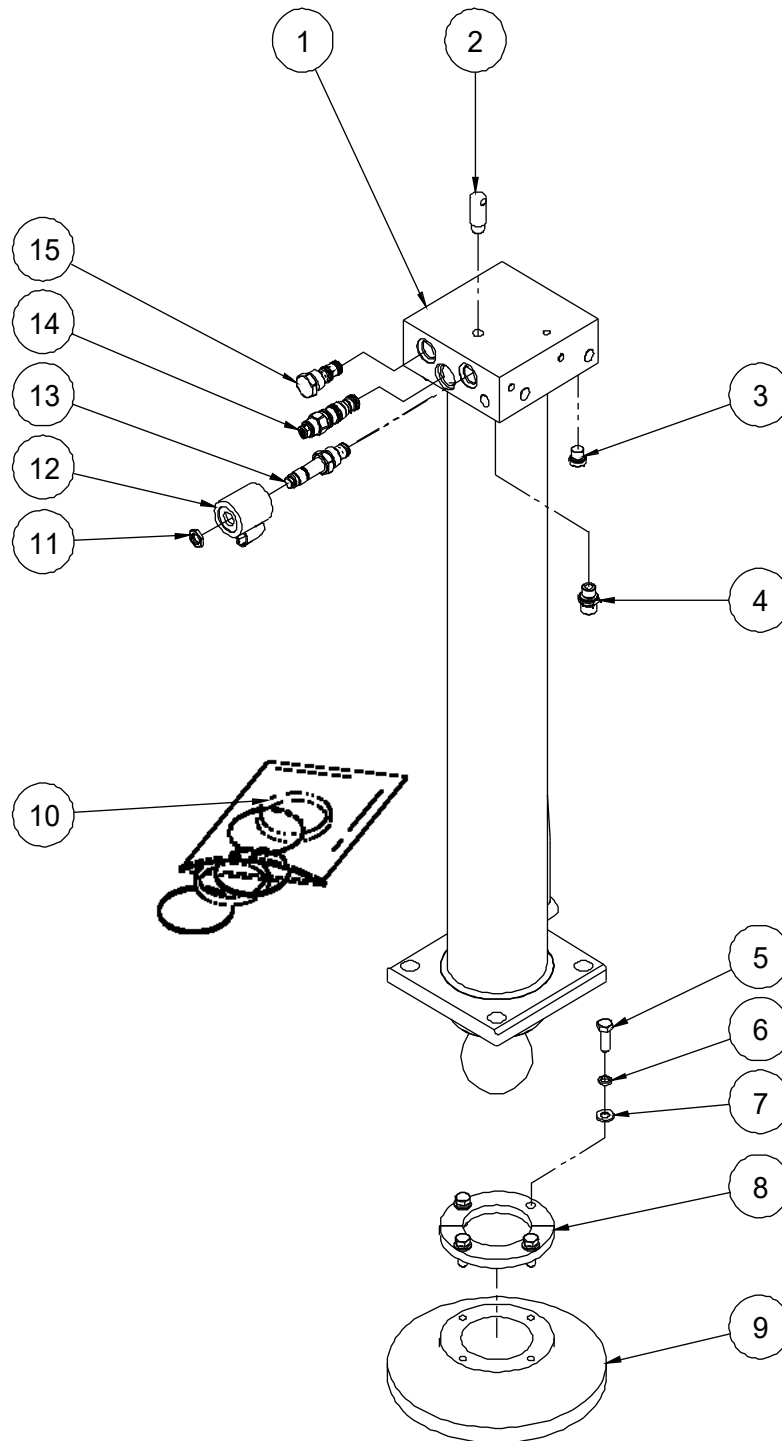
### 405.2 Outrigger Cylinder Assembly



**405.2 Outrigger Cylinder Assembly**

Item	Part No.	Description	Qty.
1	10025308	Outrigger cylinder	1
2	10000001	Pin	1
3	00002999	Plug SAE2	2
4	00001111	Plug VST11/4ED	2
5	00001294	Straight fitting	2
6	00002003	Screw GB/T 79 M8×10	1
7	10020349	Ball	1
8	00000683	Bolt GB/T 5783 M10×30	4
9	00000679	Washer GB/T 93 10	4
10	00000615	Washer GB/T 97.1 10	4
11	10004004	Retainer	1
12	10003999	Outrigger footpad	1
13	00009954	Seal kit	1
14	00002998	Plug SAE4	7
15	00004592	Coil	1
16	00009455	Solenoid valve spool (SV12, SV13, SV14, SV15)	1
17	00009755	Counterbalance valve spool (CB4)	1
18	00009253	Pilot-operated check valve (PC1, PC2, PC3, PC4)	1

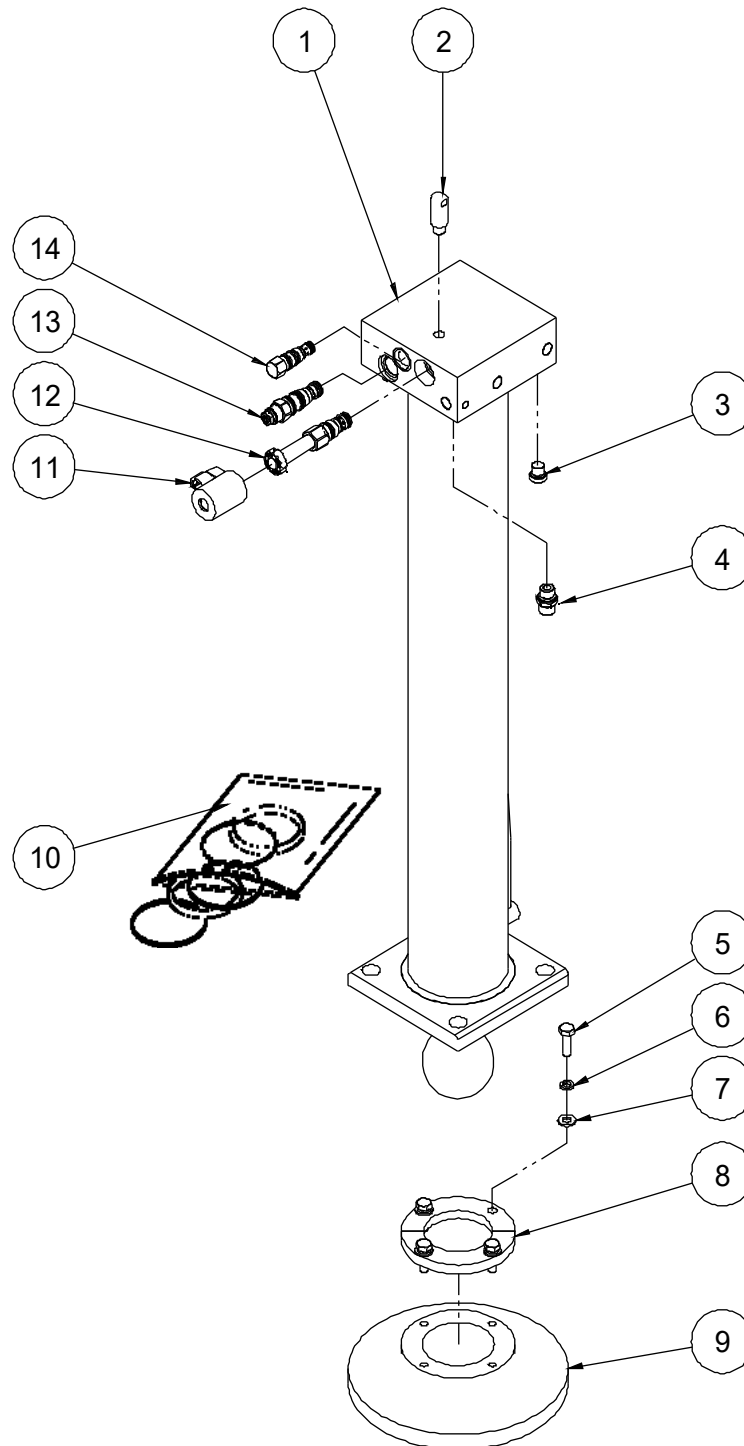
### 405.3 Outrigger Cylinder Assembly



**405.3 Outrigger Cylinder Assembly**

Item	Part No.	Description	Qty.
1	10025165	Outrigger cylinder	1
2	10000001	Pin	1
3	00001111	Plug VST11/4ED	2
4	00001294	Straight fitting	2
5	00000683	Bolt GB/T 5783 M10×30	4
6	00000679	Washer GB/T 93 10	4
7	00000615	Washer GB/T 97.1 10	4
8	10004004	Retainer	1
9	10003999	Outrigger footpad	1
10	00010806	Seal kit	1
11	00003017	Nut	1
12	00008559	Coil	1
13	00003280	Solenoid valve spool (SV7, SV8, SV9, SV10)	1
14	00009755	Counterbalance valve spool (CB4)	1
15	00003281	Pilot-operated check valve (PC1, PC2, PC3, PC4)	1

### 405.4 Outrigger Cylinder Assembly

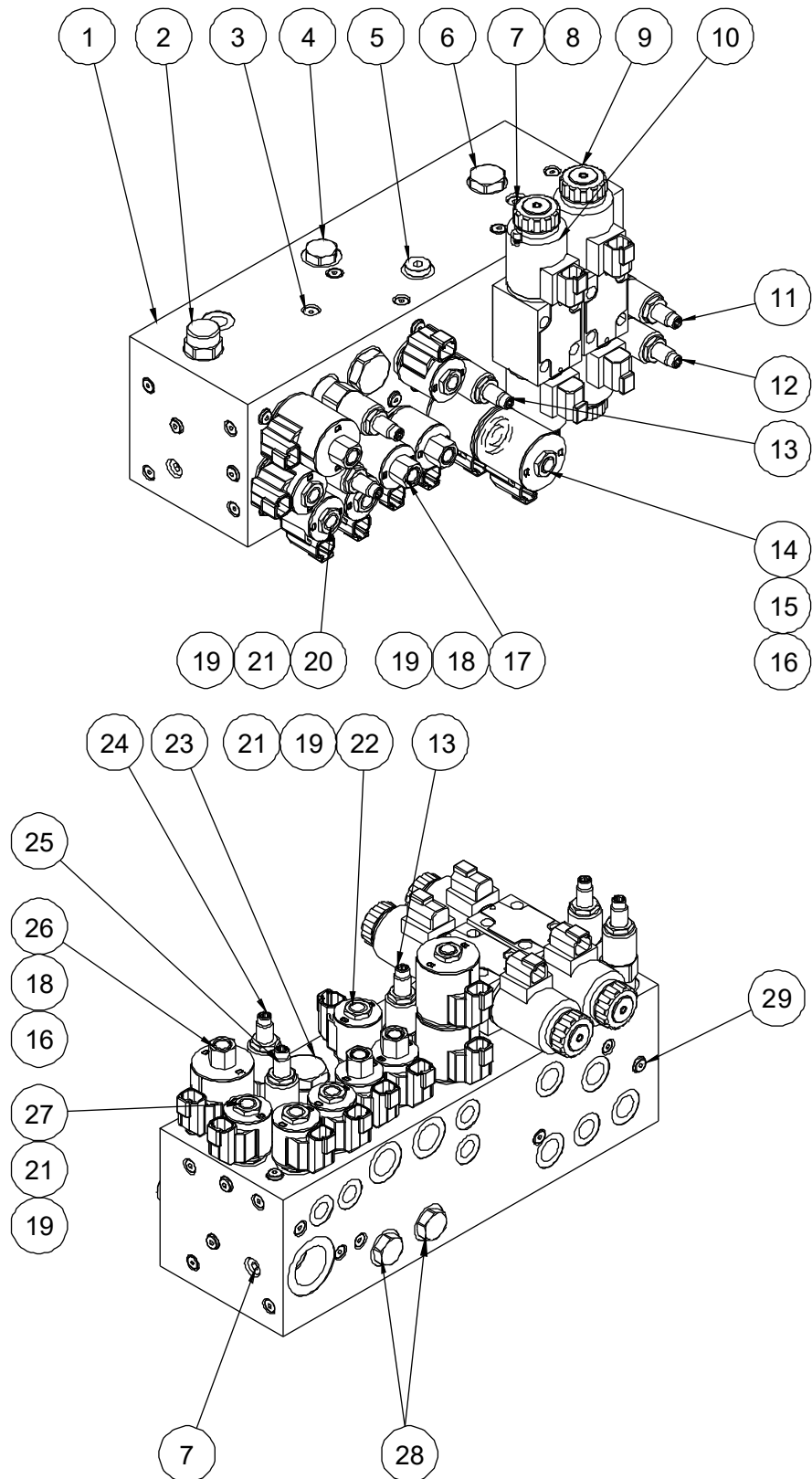


**405.4 Outrigger Cylinder Assembly**

Item	Part No.	Description	Qty.
1	10025166	Outrigger cylinder	1
2	10000001	Pin	1
3	00001111	Plug VST11/4ED	2
4	00001294	Straight fitting	2
5	00000683	Bolt GB/T 5783 M10×30	4
6	00000679	Washer GB/T 93 10	4
7	00000615	Washer GB/T 97.1 10	4
8	10004004	Retainer	1
9	10003999	Outrigger footpad	1
10	00010806	Seal kit	1
11	00004592	Coil	1
12	00009455	Solenoid valve spool (SV12, SV13, SV14, SV15)	1
13	00009755	Counterbalance valve spool (CB4)	1
14	00009253	Pilot-operated check valve (PC1, PC2, PC3, PC4)	1



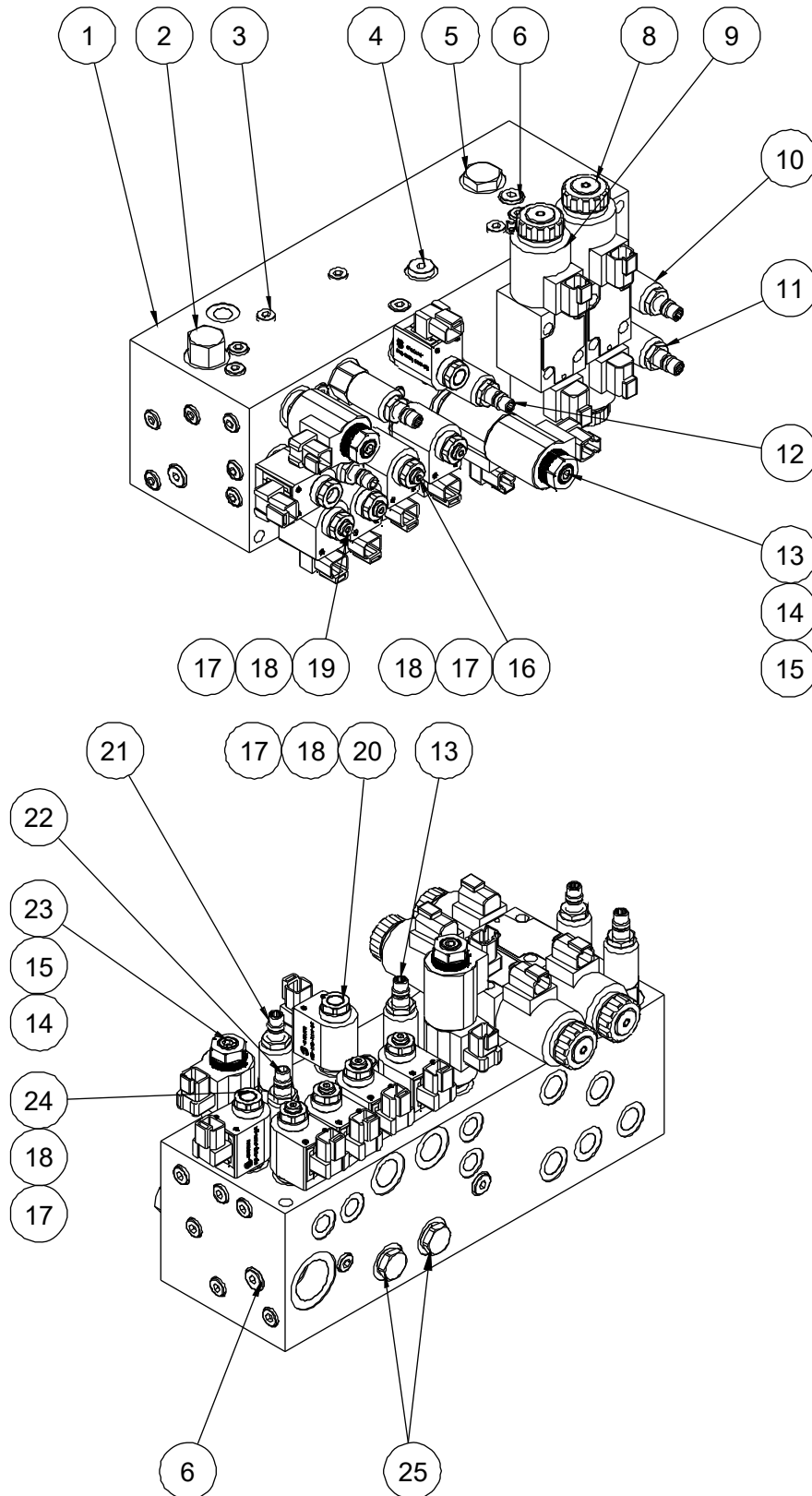
**406.1 Function Manifold**



**406.1 Function Manifold**

Item	Part No.	Description	Qty.
1	00008364	Valve body	1
2	00004551	Flow control valve (FR1)	1
3	00002997	Plug SAE3	2
4	00008184	Plug (CP2)	1
5	00001073	Plug VST114×1.5ED	1
6	00003998	Check valve (CV1)	1
7	00002998	Plug SAE4	3
8	00004001	Orifice 3/8-16_Φ3.5	1
9	00008370	Solenoid valve (DS1)	1
10	00008189	Solenoid valve (DS2)	1
11	00008511	Relief valve (RV2)	1
12	00008508	Relief valve (CR2)	1
13	00008509	Relief valve (CR1)	1
14	00003996	Solenoid valve spool (SV3)	1
15	00006735	Washer	1
16	00006762	Coil	3
17	00002395	Solenoid valve spool (SV5)	2
18	00006764	Nut	3
19	00004091	Coil	6
20	00004550	Solenoid valve spool (SV1)	2
21	00003017	Nut	5
22	00008181	Solenoid valve spool (SV6)	1
23	00008188	Plug (CP1)	1
24	00008510	Relief valve (RV1)	1
25	00004554	Relief valve (RV3)	1
26	00004548	Solenoid valve spool (SV4)	1
27	00004549	Solenoid valve spool (SV2)	1
28	10000404	Check valve (CV2)	2
29	00002999	Plug SAE2	37

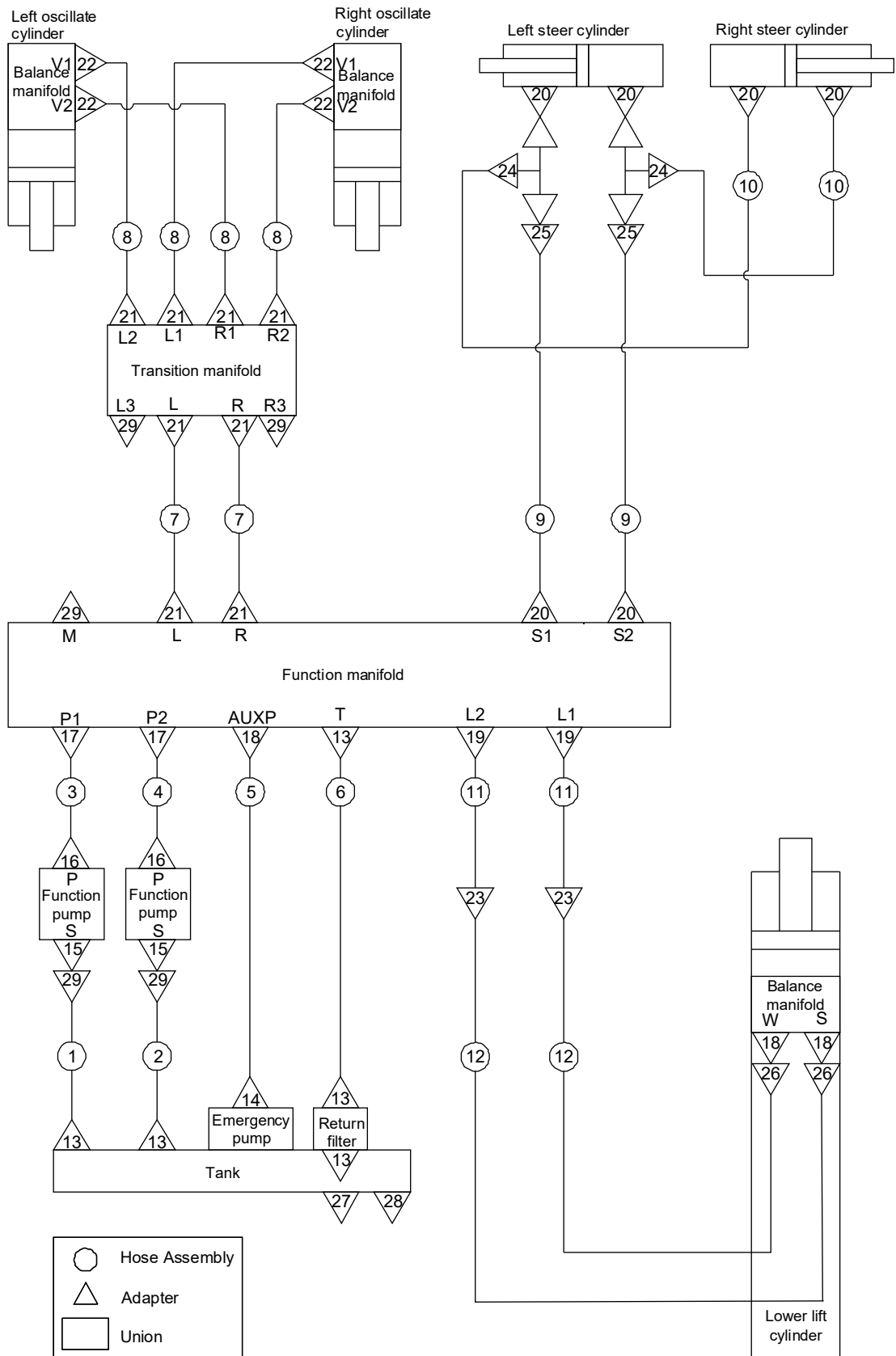
**406.2 Function Manifold**



**406.2 Function Manifold**

Item	Part No.	Description	Qty.
1	00009388	Valve body	1
2	00009358	Flow control valve (FR1)	1
3	00002998	Plug SAE4	26
4	00001073	Plug VST114×1.5ED	1
5	00003590	Check valve (CV1)	1
6	00003361	Plug SAE6	4
7	00004001	Orifice 3/8-16_Φ3.5	1
8	00009360	Solenoid valve (DS1)	1
9	00009359	Solenoid valve (DS2)	1
10	00004874	Relief valve (RV2)	1
11	00003297	Relief valve (CR2)	1
12	00003591	Relief valve (CR1)	1
13	00004310	Solenoid valve spool (SV3)	1
14	00003319	Coil	3
15	00003353	Nut	2
16	00006093	Solenoid valve spool (SV5)	2
17	00003320	Coil	6
18	00003352	Nut	6
19	00009361	Solenoid valve spool (SV1)	2
20	00000290	Solenoid valve spool (SV6)	1
21	00004326	Relief valve (RV1)	1
22	00009362	Relief valve (RV3)	1
23	00009357	Solenoid valve spool (SV4)	1
24	00003300	Solenoid valve spool (SV2)	1
25	00003589	Check valve (CV2)	2

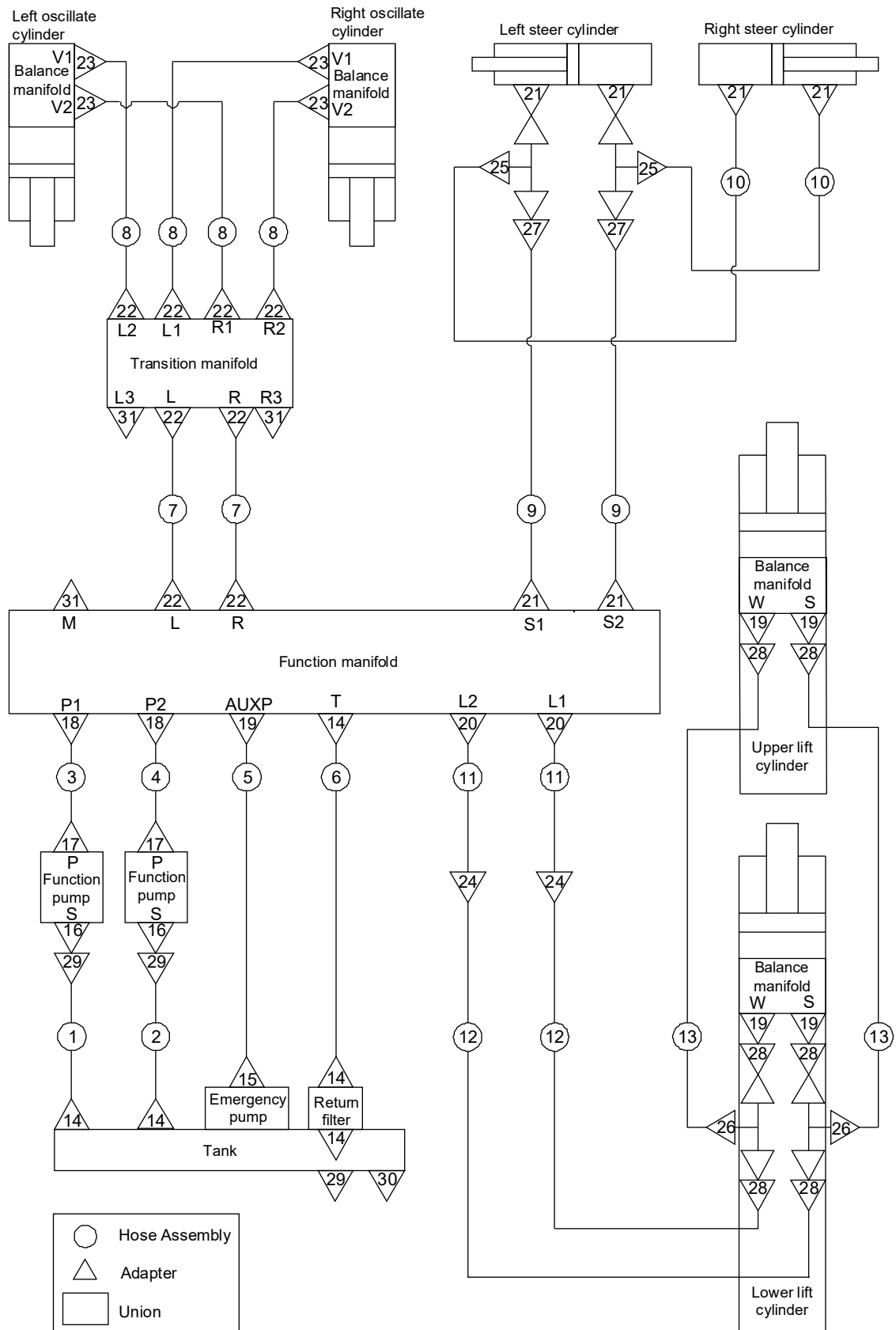
407.1 Hydraulic Hoses and Fittings (JCPT1523DCB)



**407.1 Hydraulic Hoses and Fittings (JCPT1523DCB)**

Item	Part No.	Description	Qty.
1	00008619	Hose assembly	1
2	00008622	Hose assembly	1
3	00008623	Hose assembly	1
4	00008624	Hose assembly	1
5	00008190	Hose assembly	1
6	00008625	Hose assembly	1
7	00004543	Hose assembly	2
8	00004544	Hose assembly	4
9	00004178	Hose assembly	2
10	00004179	Hose assembly	2
11	00004531	Hose assembly	2
12	00004176	Hose assembly	2
13	00002071	Straight fitting	5
14	00001501	Straight fitting	1
15	00001512	Straight fitting	2
16	00001506	Straight fitting	2
17	00001266	Straight fitting	2
18	00001294	Straight fitting	3
19	00001262	Straight fitting	2
20	00001282	Straight fitting	6
21	00001290	Straight fitting	8
22	00001291	Straight fitting	4
23	00002137	Straight fitting	1
24	00001237	Tee fitting	2
25	00001832	Elbow	2
26	00001834	Elbow	2
27	00001080	Plug VSTI33×2ED	1
28	00001074	Plug VSTI16×1.5ED	1
29	00001073	Plug VSTI14×1.5ED	3

407.2 Hydraulic Hoses and Fittings (JCPT1823DCB)



**407.2 Hydraulic Hoses and Fittings (JCPT1823DCB)**

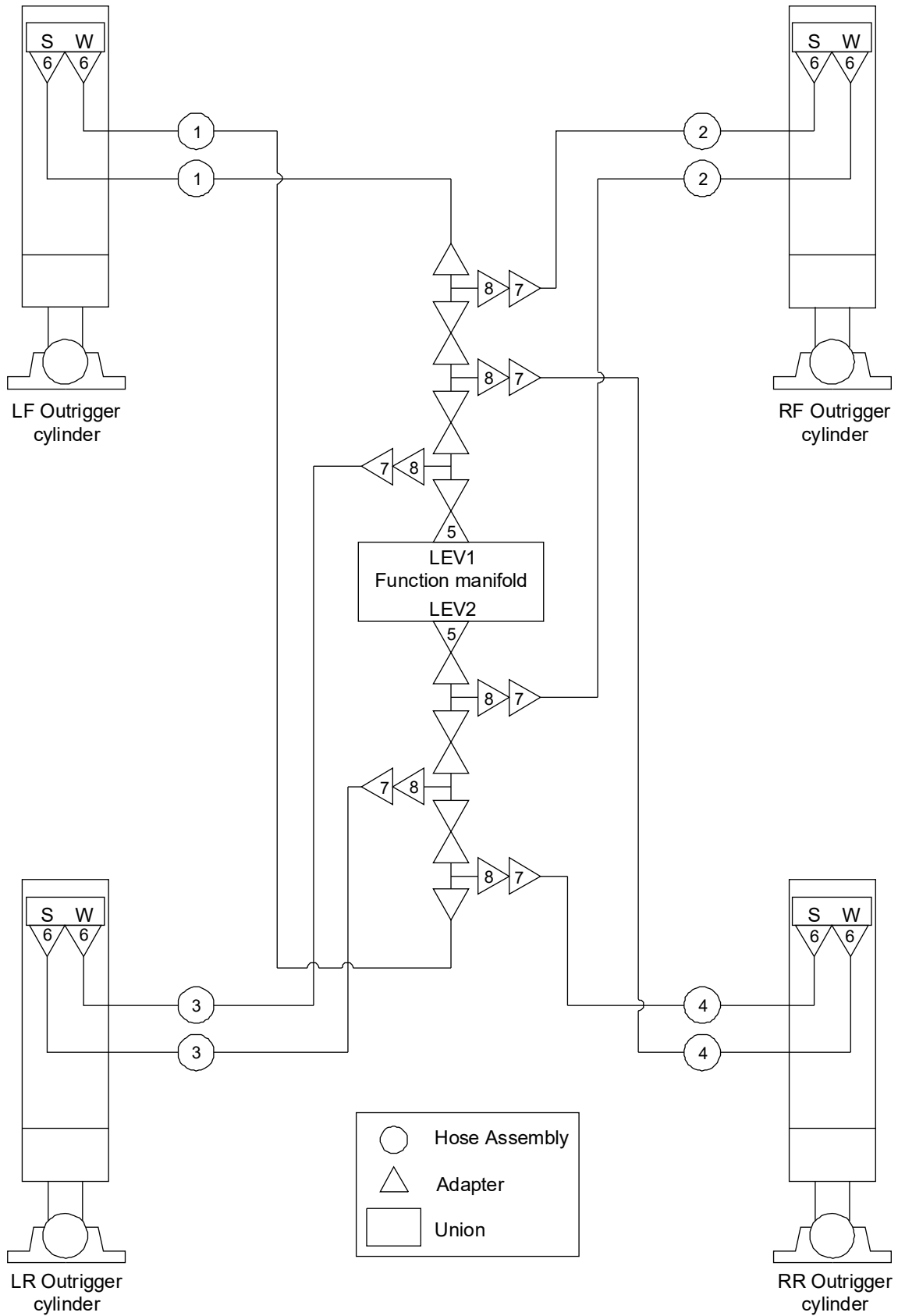
Item	Part No.	Description	Qty.
1	00008619	Hose assembly	1
2	00008622	Hose assembly	1
3	00008623	Hose assembly	1
4	00008624	Hose assembly	1
5	00008190	Hose assembly	1
6	00008625	Hose assembly	1
7	00004543	Hose assembly	2
8	00004544	Hose assembly	4
9	00004178	Hose assembly	2
10	00004179	Hose assembly	2
11	00004531	Hose assembly	2
12	00004176	Hose assembly	2
13	00004177	Hose assembly	2
14	00002071	Straight fitting	5
15	00001501	Straight fitting	1
16	00001512	Straight fitting	2
17	00001506	Straight fitting	2
18	00001266	Straight fitting	2
19	00001294	Straight fitting	5
20	00001262	Straight fitting	2
21	00001282	Straight fitting	6
22	00001290	Straight fitting	8
23	00001291	Straight fitting	4
24	00002137	Straight fitting	1
25	00001237	Tee fitting	2
26	00001239	Tee fitting	2
27	00001832	Elbow	2
28	00001834	Elbow	6
29	00001080	Plug VSTI33×2ED	1



**407.2 Hydraulic Hoses and Fittings (JCPT1823DCB)**

<b>Item</b>	<b>Part No.</b>	<b>Description</b>	<b>Qty.</b>
30	00001074	Plug VSTI16×1.5ED	1
31	00001073	Plug VSTI14×1.5ED	3

**408.1 Hydraulic Hoses and Fittings-Outrigger**

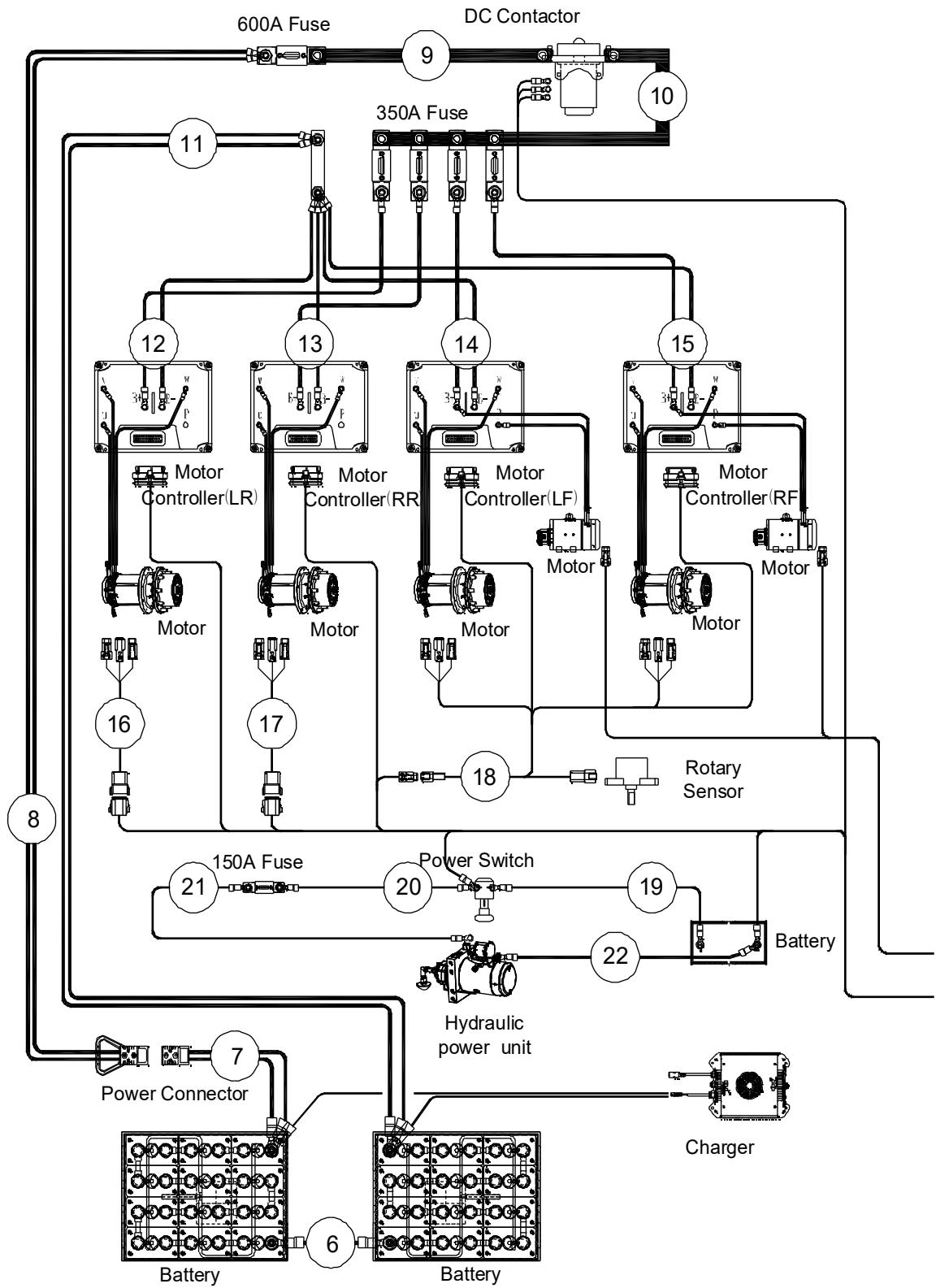


**408.1 Hydraulic Hoses and Fittings-Outrigger**

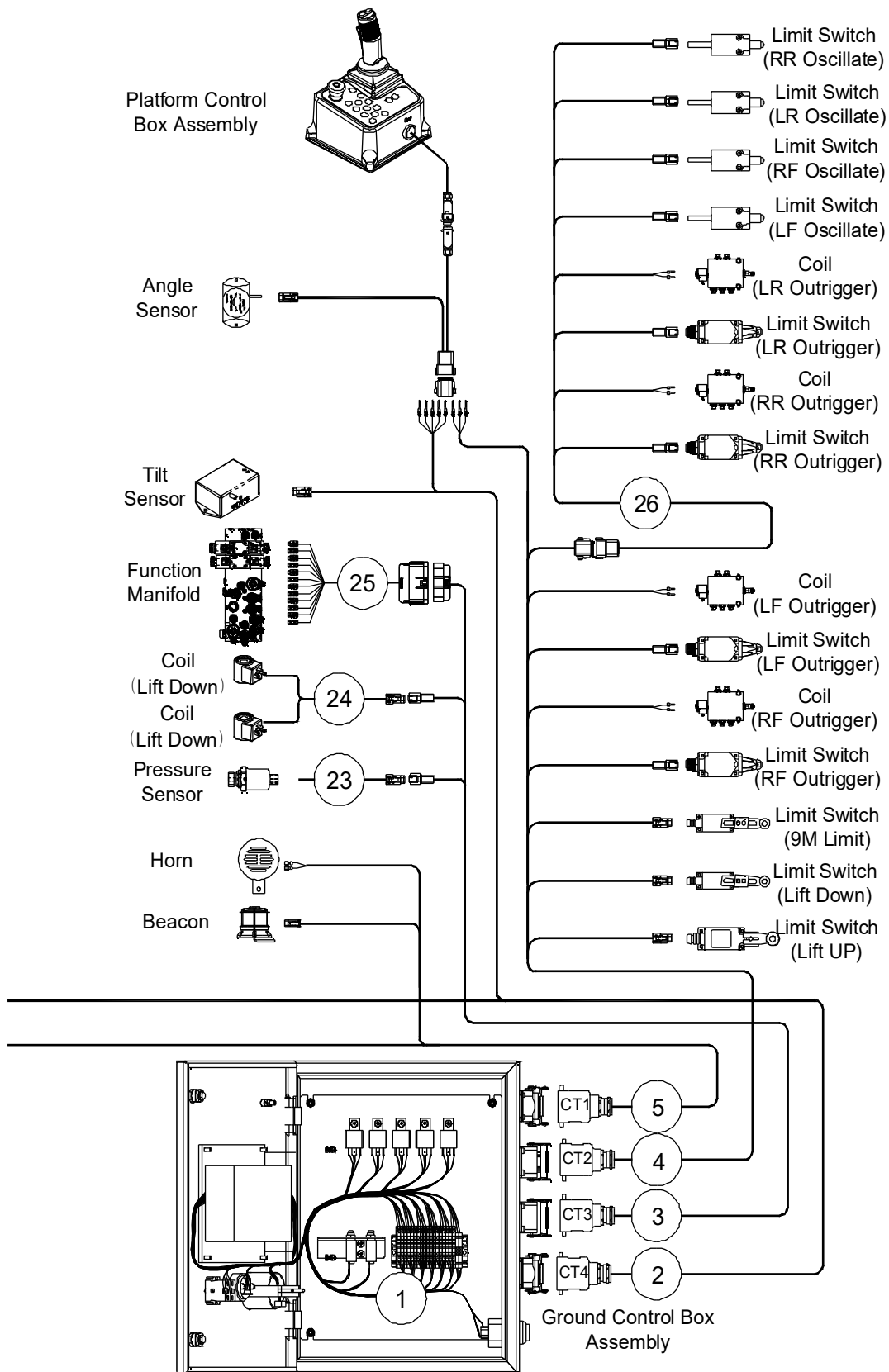
<b>Item</b>	<b>Part No.</b>	<b>Description</b>	<b>Qty.</b>
1	00008192	Hose assembly	2
2	00008928	Hose assembly	2
3	00008626	Hose assembly	2
4	00008779	Hose assembly	2
5	00001262	Straight fitting	2
6	00001294	Straight fitting	8
7	00001834	Elbow	6
8	00001239	Tee fitting	6

# Section 5 Electrical System

### 501.1 Electrical Harness



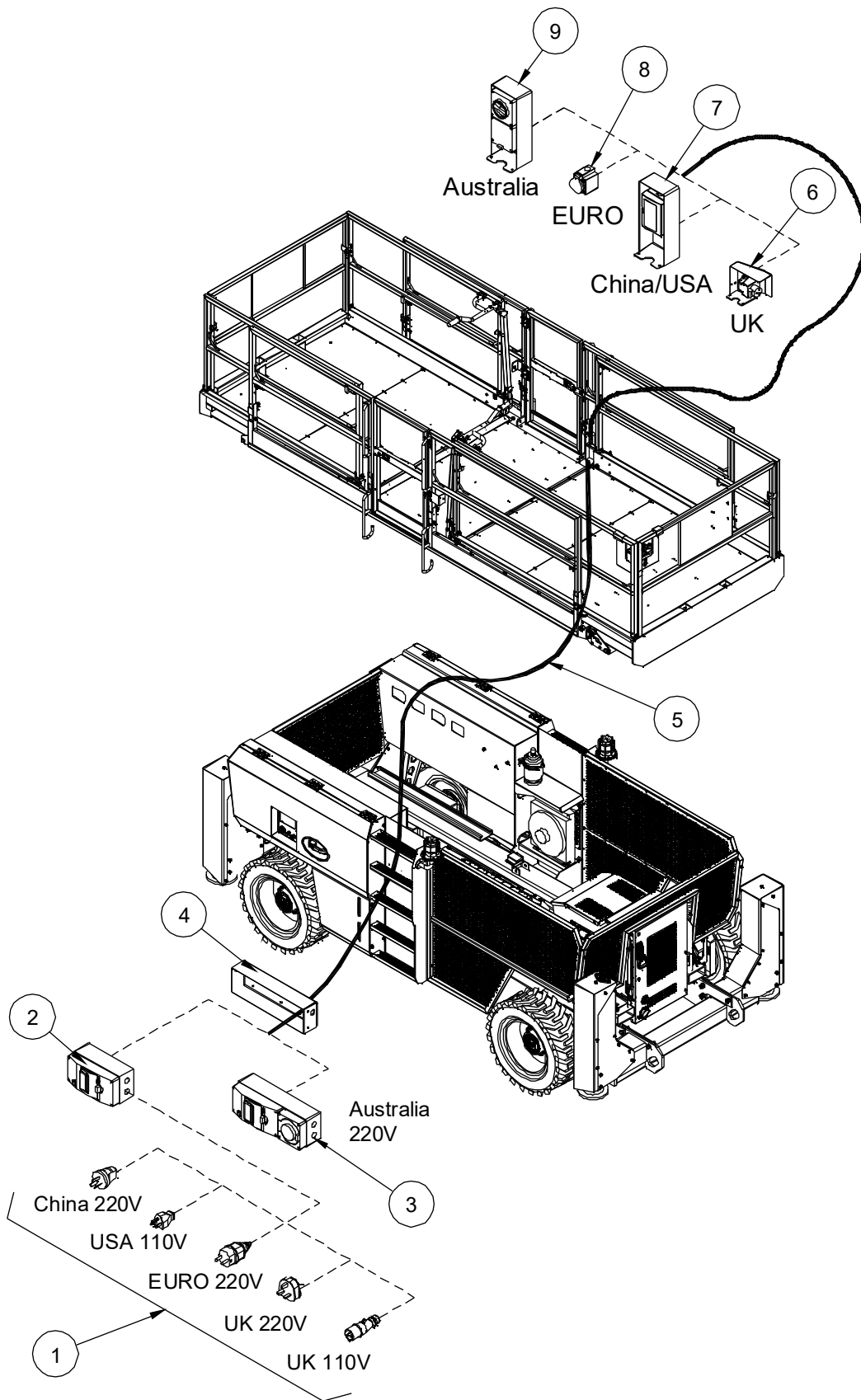
501.1 Electrical Harness



**501.1 Electrical Harness**

Item	Part No.	Description	Qty.
1	00008488	Ground control box harness	1
2	00008492	CT4 harness	1
3	00008491	CT3 harness	1
4	00008490	CT2 harness	1
5	00008489	CT1 harness	1
6	00008482	Battery harness (48V)	1
7	00008475	Battery positive harness (48V)	1
8	00008476	Fuse harness (48V)	1
9	00008265	Terminal strip	1
10	00008266	Terminal strip	1
11	00008481	Battery negative harness (48V)	1
12	00008477	Motor controller power harness 1	1
13	00008478	Motor controller power harness 2	1
14	00008479	Motor controller power harness 3	1
15	00008480	Motor controller power harness 4	1
16	00008495	Drive motor harness 1	1
17	00008496	Drive motor harness 2	1
18	00008497	Drive harness	1
19	00008483	Battery positive harness (12V)	1
20	00008485	Fuse harness (12V)	1
21	00008486	Emergency pump positive harness	1
22	00008487	Emergency pump negative harness	1
23	00007965	Pressure sensor harness	1
24	00007323	Lowering valve harness (JCPT1523DCB)	1
	00007324	Lowering valve harness (JCPT1823DCB)	1
25	00008493	EV harness	1
26	00008929	Outrigger harness	1

### 502.1 Power to Platform



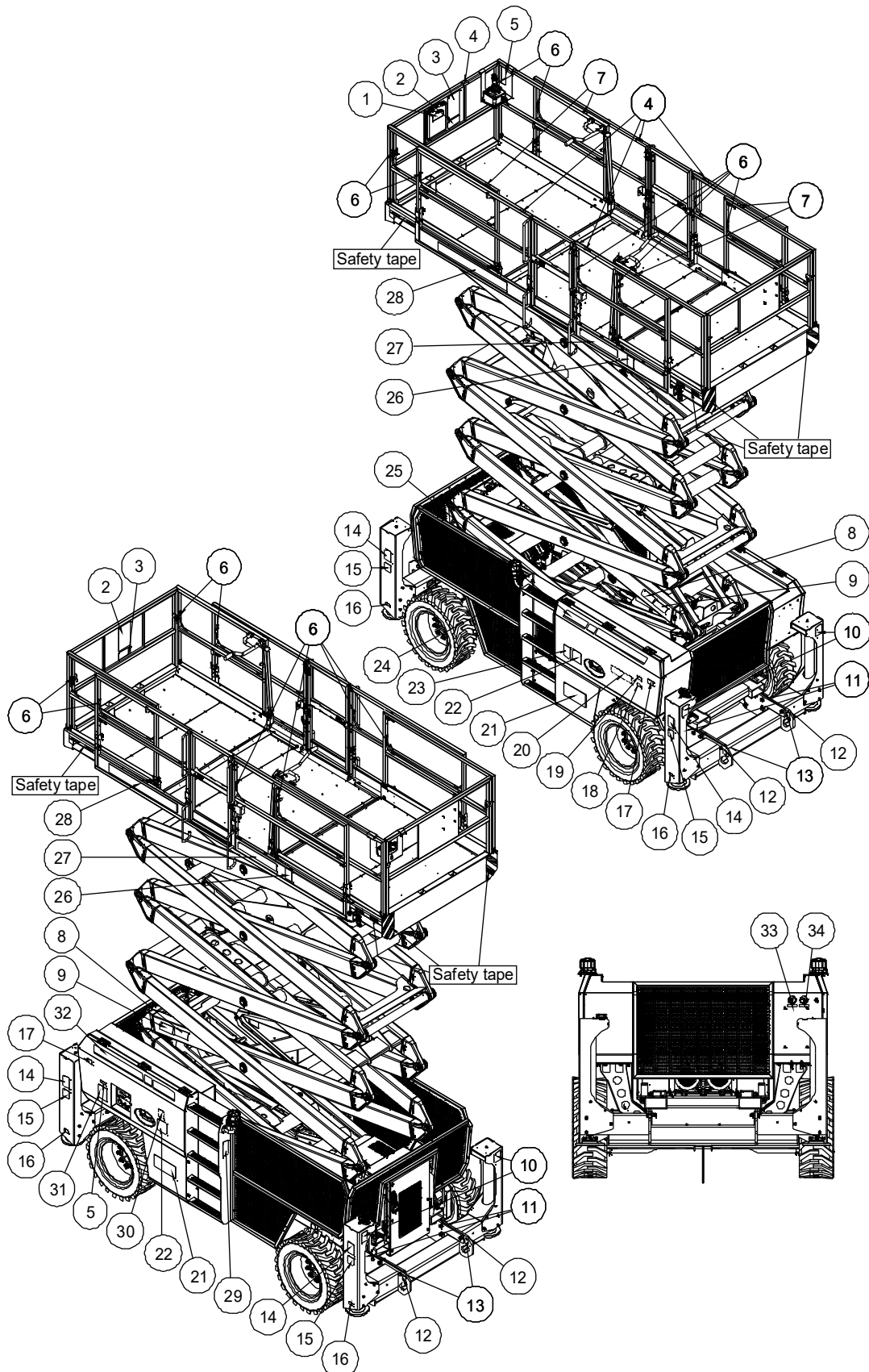


**502.1 Power to Platform**

Item	Part No.	Description	Qty.
1	00003148	AC plug (China 220V)	1
	00003149	AC plug (USA 110V)	1
	00003151	AC plug (European 220V)	1
	00003150	AC plug (UK 220V)	1
	00002615	AC plug (UK 110V)	1
2	00002634	Circuit breaker (Option)	1
3	00002603	AC plug (Australia 220V)	1
4	10005291	Circuit breaker bracket	1
5	00004694	Wire cable, platform AC power (JCPT1523DCB)	1
	00004695	Wire cable, platform AC power (JCPT1823DCB)	1
6		Platform AC socket (UK)	1
--	00004771	AC socket (UK)	1
--	10015580	AC socket bracket (UK)	1
7		Platform AC socket (China/USA)	1
--	00000668	AC socket (China/USA)	1
--	10009657	AC socket bracket (China/USA)	1
8	00002709	AC socket (European)	1
9		Platform AC socket (Australia)	1
--	00002617	AC socket (Australia)	1
--	10009657	AC socket bracket (Australia)	1

# Section 6 Decal

601.1 Decals with Words



**601.1 Decals with Words**

Item	Part No.	Description	Qty.
1	09340001	Decal, Notice-Keep the manual with the machine	1
2	09440119	Decal, Danger-Tip-over hazard, tilt-alarm	2
3	09440001	Decal, Danger-General safety rules	2
4	09340070	Decal, Symbols-Non operating hand position	5
5	09340003	Decal, Instructions-Refer the operator to the instructions for use	2
6	09440059	Decal, Label-Lanyard anchorage point	16
7	09440212	Decal, Warning-Crushing hazard	4
8	09430003	Decal, Danger-Keep away from moving parts	2
9	09430001	Decal, Danger-Safety arm	2
10	09420005	Decal, Warning-Collision hazard	4
11	09310130	Decal, Instructions-Maximum wheel load 2550kg (JCPT1523DCB)	4
	09310469	Decal, Instructions-Maximum wheel load 2760kg (JCPT1823DCB)	4
12	09310050	Decal, Instructions-Tie down point	4
13	09310049	Decal, Instructions-Lift point	4
14	09410069	Decal, Warning-Crushing hazard, outrigger	4
15	09410157	Decal, Symbols-Outrigger using warning	4
16	09310134	Decal, Instructions-Maximum outrigger load 2550kg (JCPT1523DCB)	4
	09310472	Decal, Instructions-Maximum outrigger load 2760kg (JCPT1823DCB)	4
17	09540001	Decal, Label-CE	2
18	09310053	Decal, Instructions-Lowest oil level	1
19	09310052	Decal, Instructions-Highest oil level	1
20	09310146	Decal, Instructions-Hydraulic	1
21	09910007	Decal, Label-4×4	2
22	09410001	Decal, Danger-Explosion/burn hazard	2
23	09410071	Decal, Warning-Injection hazard	1
24	09410005	Decal, Danger-Do not alter or disable limit switch	1

**601.1 Decals with Words**

<b>Item</b>	<b>Part No.</b>	<b>Description</b>	<b>Qty.</b>
25	09910006	Decal, Label-Cosmetic	1
26	09440007	Decal, Caution-Max. manual force 400N	2
27	09440075	Decal, Label-Capacity 680kg (JCPT1523DCB)	2
	09440369	Decal, Label-Capacity 680kg (JCPT1823DCB)	2
28	09640192	Decal, Cosmetic-JCPT1523DCB (JCPT1523DCB)	2
	09640193	Decal, Cosmetic-JCPT1823DCB (JCPT1823DCB)	2
29	09210001	Nameplate, Manufacturer serial number	1
30	09310006	Decal, Notice-Main power switch operation	1
31	09410003	Decal, Warning-Inspected and operation properly	1
32	09910005	Decal, Label-Cosmetic	1
33	09310217	Decal, Instructions-Power to platform	1
34	09310219	Decal, Instructions-Battery charger	1

601.1 Decals with Words

① 09340001

④ 09340070

⑤ 09340003

③ 09440001

⑦ 09440212

⑥ 09440059

② 09440119

⑩ 09420005

⑧ 09430003

⑪ 09310130

⑪ 09310469

⑨ 09430001

⑫ 09310050

⑬ 09310049

⑭ 09410069

⑮ 09410157

⑯ 09310134

⑰ 09540001

⑱ 09310052

⑲ 09310052

⑳ 09310146

㉑ 09910007

㉒ 09410001

㉓ 09410071

㉔ 09410005

# HYDRAULIC

601.1 Decals with Words

25 09910006



27 09440075



27 09440369



28 09640192

JCPT1523DCB

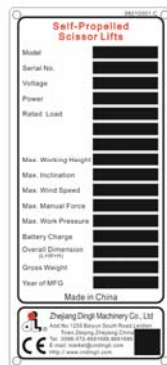
28 09640193

JCPT1823DCB

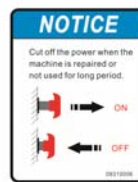
26 09440007



29 09210001



30 09310006



31 09410003



33 09310217



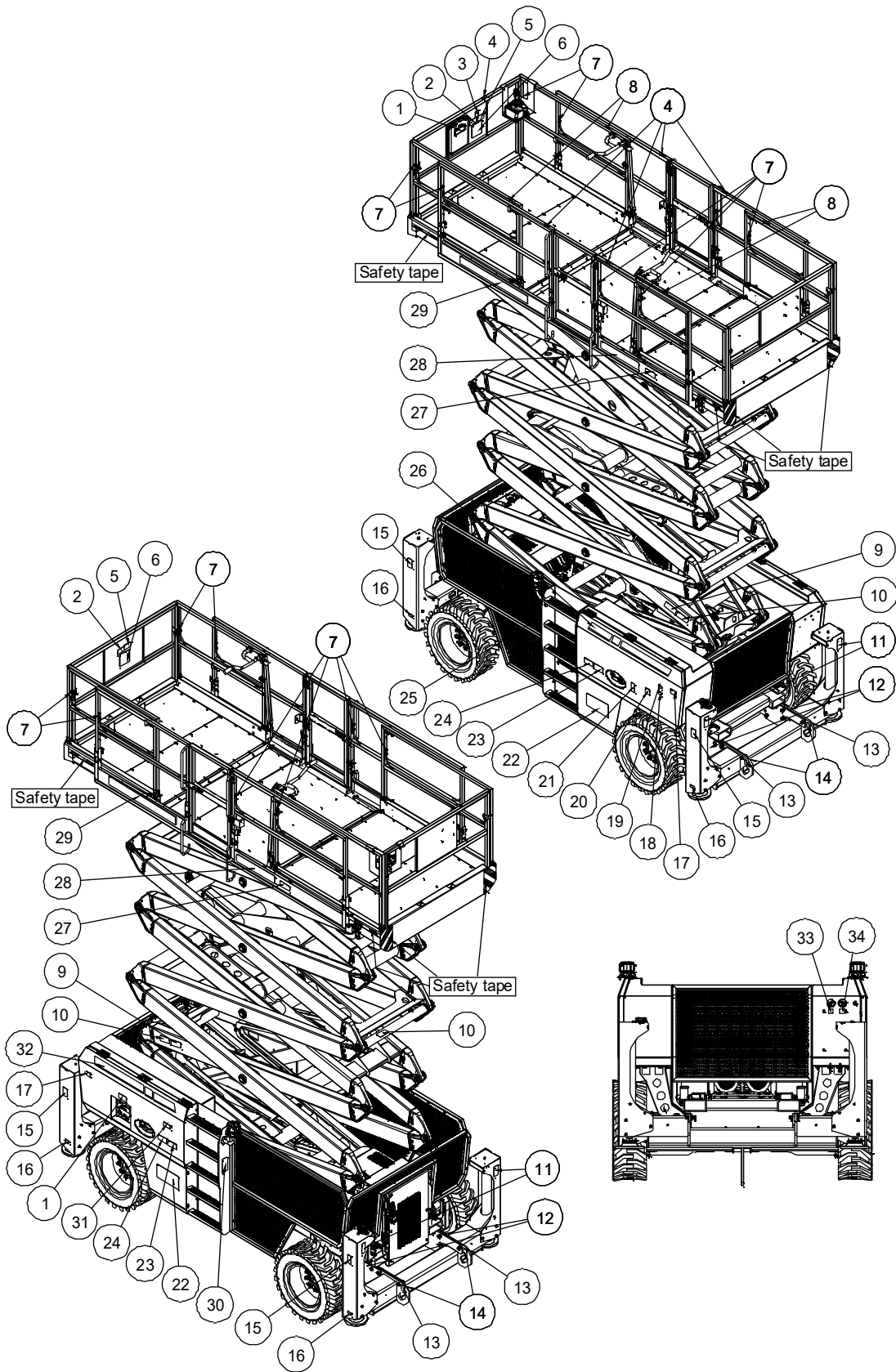
34 09310219



32 09910005



### 602.1 Decals with Symbols





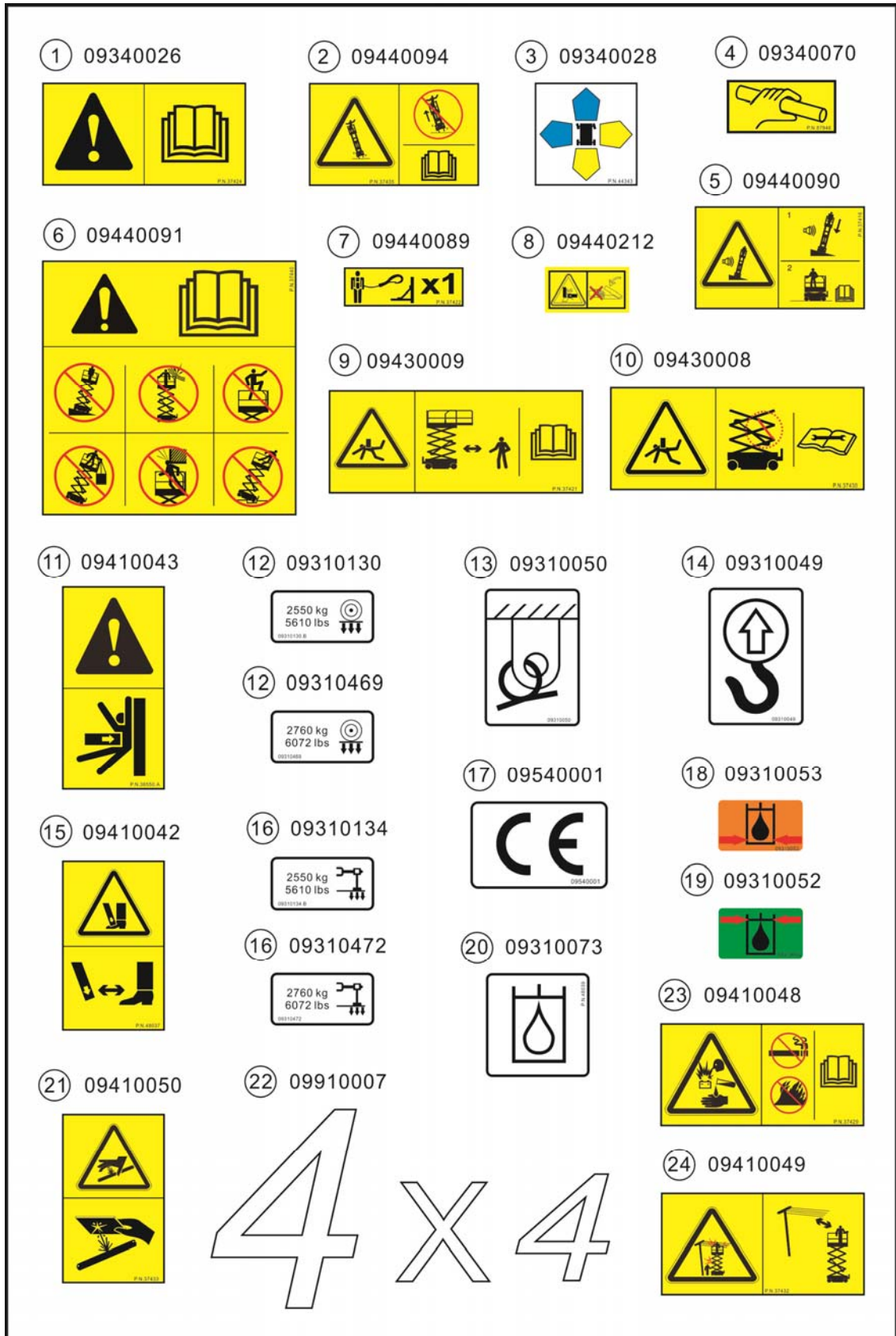
**602.1 Decals with Symbols**

Item	Part No.	Description	Qty.
1	09340026	Decal, Symbols-Refer the operator to the instructions for use	2
2	09440094	Decal, Symbols-Tip-over hazard, outrigger	2
3	09340028	Decal, Instructions-Directional arrows	1
4	09340070	Decal, Symbols-Non operating hand position	5
5	09440090	Decal, Symbols-Tip-over hazard, tilt-alarm	2
6	09440091	Decal, Symbols-General safety rules	2
7	09440089	Decal, Label-Lanyard anchorage point	16
8	09440212	Decal, Warning-Crushing hazard	4
9	09430009	Decal, Symbols-Keep away from moving parts	2
10	09430008	Decal, Symbols-Safety arm	3
11	09410043	Decal, Symbols-Collision hazard	4
12	09310130	Decal, Instructions-Maximum wheel load 2550kg (JCPT1523DCB)	4
	09310469	Decal, Instructions-Maximum wheel load 2760kg (JCPT1823DCB)	4
13	09310050	Decal, Instructions-Tie down point	4
14	09310049	Decal, Instructions-Lift point	4
15	09410042	Decal, Symbols-Crushing hazard	4
16	09310134	Decal, Instructions-Maximum outrigger load 2550kg (JCPT1523DCB)	4
	09310472	Decal, Instructions-Maximum outrigger load 2760kg (JCPT1823DCB)	4
17	09540001	Decal, Label-CE	2
18	09310053	Decal, Instructions-Lowest Hydraulic Oil Level	1
19	09310052	Decal, Instructions-Highest Hydraulic Oil Level	1
20	09310073	Decal, Instructions-Hydraulic Oil	1
21	09410050	Decal, Symbols-Injection hazard	1
22	09910007	Decal, Label-4×4	2
23	09410048	Decal, Symbols-Explosion/burn hazard	2
24	09410049	Decal, Symbols-Electrocution hazard	2

**602.1 Decals with Symbols**

<b>Item</b>	<b>Part No.</b>	<b>Description</b>	<b>Qty.</b>
25	09410051	Decal, Symbols-Do not alter or disable limit switch	1
26	09910006	Decal, Label-Cosmetic	1
27	09440072	Decal, Symbols-Max. manual force 400N	2
28	09440075	Decal, Label-Capacity 680kg (JCPT1523DCB)	2
	09440369	Decal, Label-Capacity 680kg (JCPT1823DCB)	2
29	09640192	Decal, Cosmetic-JCPT1523DCB (JCPT1523DCB)	2
	09640193	Decal, Cosmetic-JCPT1823DCB (JCPT1823DCB)	2
30	09210001	Nameplate, Manufacturer serial number	1
31	09310078	Decal, Symbols-Main power switch operation	1
32	09910005	Decal, Label-Cosmetic	1
33	09310098	Decal, Symbols-Platform power instructions	1
34	09310355	Decal, Symbols-Battery charging instructions	1

602.1 Decals with Symbols



602.1 Decals with Symbols

26 09910006



28 09440075



28 09440369



29 09640192

**JCPT1523DCB**

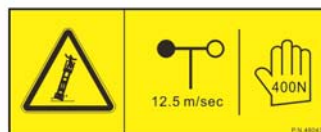
29 09640193

**JCPT1823DCB**

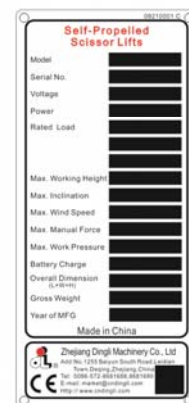
25 09410051



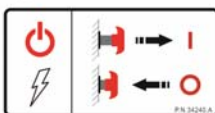
27 09440072



30 09210001



31 09310078



33 09310098



34 09310355



32 09910005





---

## **DINGLI AWP INDIA PRIVATE LIMITED**

Address: Sahney Towers, 81, First Floor, Poonamallee High Road, Nerkundram,

Chennai, Tamil Nadu - 600 107

Telephone: +91-98846 48464

E-mail: [support@dinglisaarc.com](mailto:support@dinglisaarc.com)

Website: [www.dinglisaarc.com](http://www.dinglisaarc.com)

---

**DINGLI**