

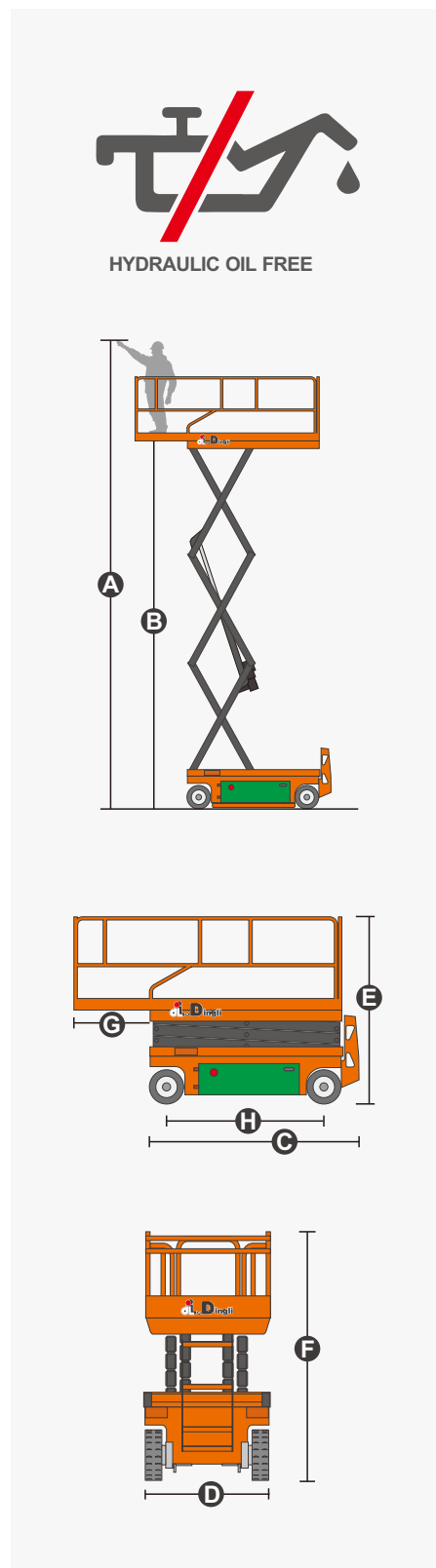
SPECIFICATIONS

Size	Metric	British
Max. Working Height A	8.00m	26ft 3in
Max. Platform Height B	6.00m	19ft 8in
Overall Length C	2.48m	8ft 2in
Overall Width D	0.83m	2ft 9in
Overall Height(Rails Up) E	2.28m	7ft 6in
Overall Height(Rails Down) F	1.92m	6ft 4in
Platform Size(Length×Width)	2.27m×0.81m	7ft 5in×2ft 8in
Platform Extension Size G	0.90m	2ft 11in
Ground Clearance(Stowed/Raised)	0.10m/0.019m	4in/1in
Wheelbase H	1.87m	6ft 2in
Turning Radius(Inside/Outside)	0m/2.10m	0/6ft 11in
Tyres	φ381×127mm	φ381×127mm

Performance		
S.W.L	380kg	838lb
S.W.L On Extension	113kg	249lb
Max. Occupants	2	2
Gradeability	25%	25%
Travel Speed(Stowed)	5.0km/h	3.10mph
Travel Speed(Raised)	0.8km/h	0.50mph
Max. Working Slope	X-1.5°/Y-3°	X-1.5°/Y-3°
Up/Down Speed	36/36sec	36/36sec

Weight		
Overall Weight(Lead-acid Battery)	2340kg	5159lb
Overall Weight(Lithium Battery)	2250kg	4960lb

Power		
Battery(Lead-acid Battery)	4×6V/185Ah	4×6V/185Ah
Battery(Lithium Battery)	24V/180Ah	24V/180Ah
Charger	24V/30A	24V/30A
Driving Motor	2×24V/0.87kW	2×24V/0.87kW
Lifting Motor	24V/3.20kW	24V/3.20kW



FEATURES

Standard Items

- Proportional Joystick Controls
- Self-Locking Gates
- One-Way Platform Extension Deck
- Drivable At Full Height
- Non-Marking Tyres
- Two-Wheel Drive
- Two-Wheel Steering
- Automatic Braking System
- Emergency Descent System
- Onboard Fault Diagnostic System
- Tilt Alarm
- Motion Alarm
- Horn
- Hour Meter
- Safety Arm For Troubleshooting
- Standard Transport Forklift Holes
- Charging Protection System
- Flashing LED Beacon
- Foldable Guard Rails
- Automatic Pothole Protection
- Drive Enable
- Charging Indicator
- Manual Brake Release
- Lanyard Attachment Point
- Tie-Down And Lifting Points
- Platform Load Sense System
- Emergency Stop Button



DINGLI AWP INDIA PRIVATE LIMITED

Address: Sahney Towers, 81, First Floor, Poonamallee High Road, Nerkundram,
Chennai, Tamil Nadu - 600 107
Telephone: +91-98846 48464
E-mail: support@dinglisaarc.com
Website: <https://dinglisaarc.com>