

# DINGLI

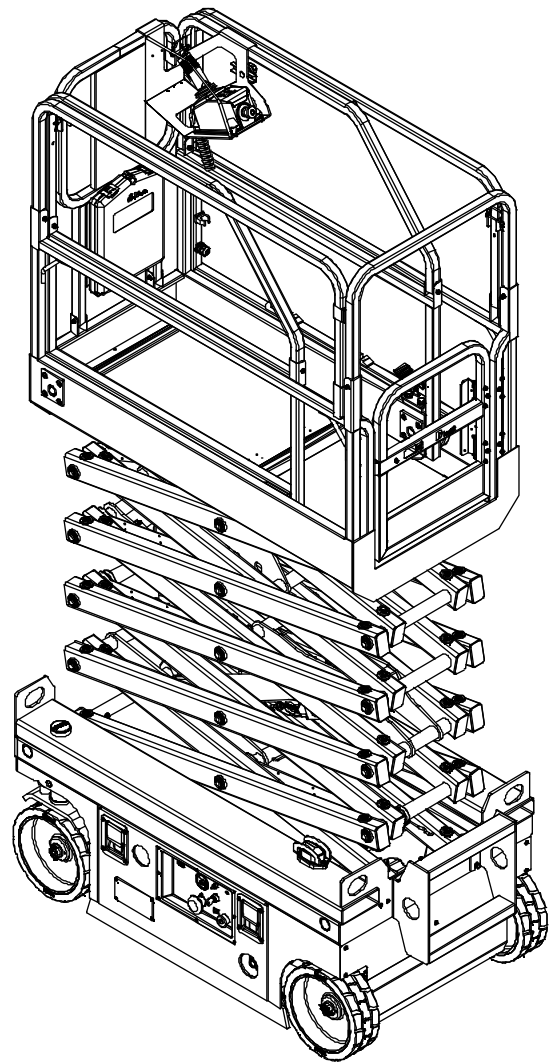
*Exceed · New Height*

## Parts Manual

JCPT0608DCH

JCPT0708DCH

Form SN:  
JPDCH23G05791-



**CE ANSI**

Part Number: SM012220117

Version Number: Rev1.1

July 2023 Printing

# DINGLI



## Foreword

We are very appreciated for your interesting with Dingli machine and choosing it for your application. Our priority above all is you can use the machine safely for your application and you can benefit from the Dingli machine mostly. For these reason we hope you can:

1. Comply with employer, job site and local governmental rules.
2. Safeguard your commitment to quality by always using genuine Dingli spare parts. Remember, Dingli cannot accept responsibility for the failure of a separator equipped with non-original spare parts. We guarantee the quality and reliability of our products.
3. All sketch maps of parts shown in this manual are for reference only, it is the practical that counts. This manual includes all the latest information up to the date when it was printed. All responsibilities for the revision and explanation of the manual rest with the Dingli. We also preserve the right to edit the technology characteristic and content of the manual.
4. Anyone who read the manual or used the machine, is encouraged to notify Dingli Machinery Co, Ltd of any errors or send in suggestions for improvement. All communications will be carefully considered for future printings of this and other manuals, certainly if you have any question about the machine, please contact with our team by dialing technical support phone, sending email, or any methods you want, etc. Our contact information as bellow:

Please contact with:

**DINGLI AWP INDIA PRIVATE LIMITED**

**Phone:** +91-98846 48464

**Email:** support@dinglisaarc.com



## Table of Contents

### Section 1 Chassis

101.1	Steer Linkage and Wheels Assembly .....	2
102.1	Drive Wheel Assembly .....	5
103.1	Pothole Protection Assembly .....	7
104.1	Battery Pack Module .....	9
105.1	Hydraulic Power Unit .....	12
106.1	Motor Controller Assembly .....	13
107.1	Ground Control Assembly .....	14
107.2	Ground Control Assembly .....	16
108.1	Ladder and Accessories.....	18

### Section 2 Scissor

201.1	Scissor Assembly (JCPT0608DCH) .....	22
201.2	Scissor Assembly (JCPT0708DCH) .....	25

### Section 3 Platform

301.1	Main Platform Assembly .....	29
302.1	Platform Extension Assembly .....	31
303.1	Platform Locking Device Assembly.....	33
304.1	Platform Control Assembly .....	34
305.1	Platform Control Box Assembly .....	35

### Section 4 Hydraulic System

401.1	Lower Lift Cylinder Assembly (JCPT0608DCH) .....	38
401.2	Lower Lift Cylinder Assembly (JCPT0708DCH) .....	40
402.1	Upper Lift Cylinder Assembly (JCPT0708DCH) .....	42
403.1	Hydraulic Hoses and Fittings (JCPT0608DCH) .....	44
403.2	Hydraulic Hoses and Fittings (JCPT0708DCH) .....	45

### Section 5 Electrical System

501.1	Electrical Harness (JCPT0608DCH).....	48
501.2	Electrical Harness (JCPT0708DCH).....	50
502.1	Power to Platform .....	52

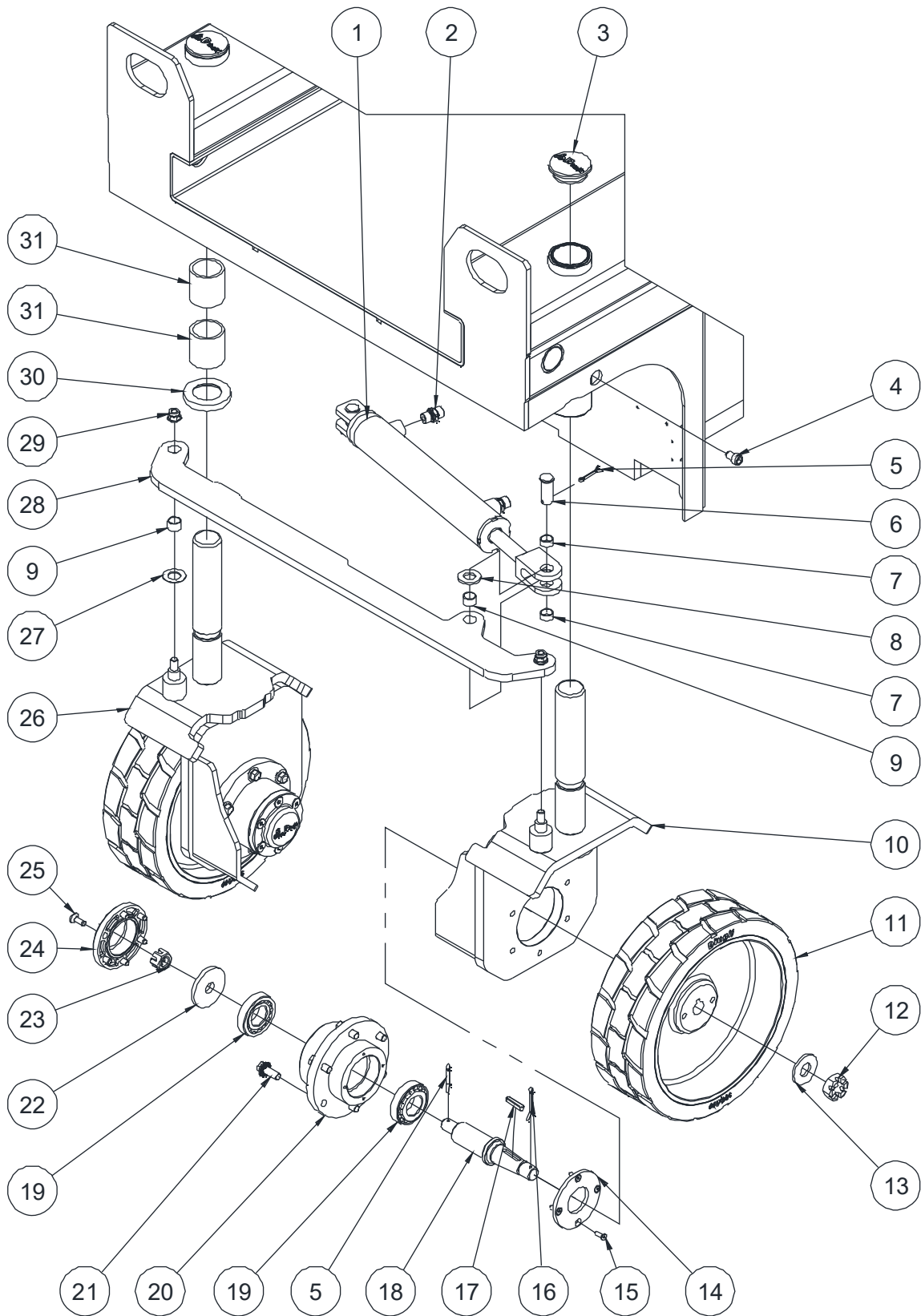
### Section 6 Decal

601.1	Decals with Words (CE).....	55
601.2	Decals with Words (ANSI).....	58
602.1	Decals with Symbols (CE).....	61
602.2	Decals with Symbols (ANSI) .....	64



# Section 1 Chassis

### 101.1 Steer Linkage and Wheels Assembly





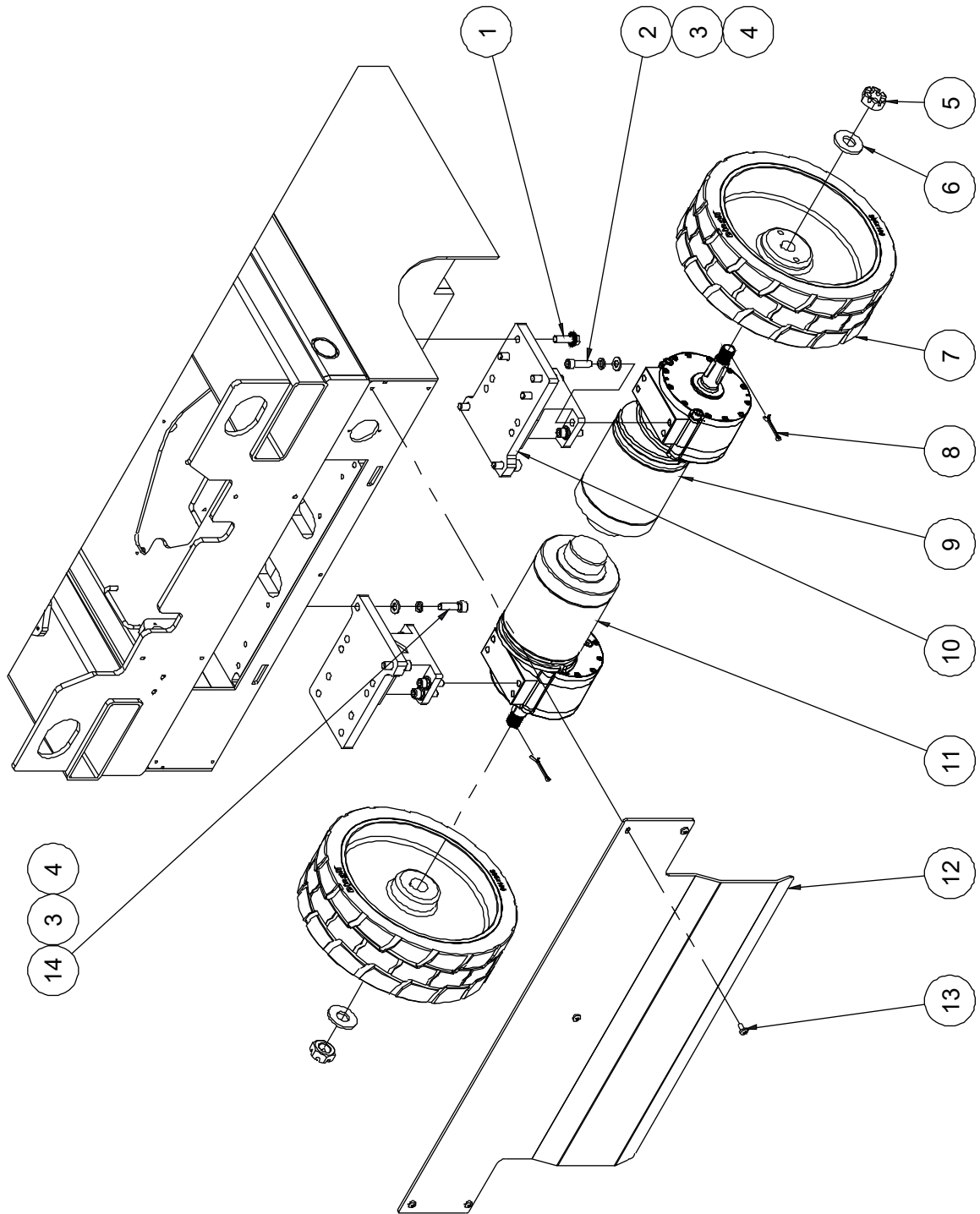
**101.1 Steer Linkage and Wheels Assembly**

Item	Part No.	Description	Qty.
1	10001396	Steer cylinder assembly (without seal kit)	1
--	00003068	Seal kit	1
2	00001290	Straight fitting	2
3	10005628	Cover	2
4	10001073	Screw	2
5	00002405	Cotter pin GB/T 91 4×32	4
6	00000686	891-1634.5 Pin	2
7	00000350	8812-161808 Bearing	4
8	10001074	Washer	2
9	00000351	8812-161812 Bearing	4
10	10024341	Steer yoke weldment	1
11	10023792	Wheel	2
12	10020494	Nut	2
13	10020495	Washer	2
14	10001502	Bearing cover	2
15	00000822	Screw GB/T 70.3 M5×16	8
16	00002079	Cotter pin GB/T 91 4×40	2
17	00009469	Key GB/T 1096 6×6×32	2
18	10020477	Wheel shaft	2
19	00001129	Bearing 30206 GB/T 297	4
20	10001503	Connection plate	2
21	00002887	Bolt QC/T 340 M10×25	12
22	10001104	Washer	2
23	00002077	Nut GB/T 9459 M16×1.5	2
24	10000638	Cap	2
25	00000765	Screw GB/T 70.3 M8×20	12
26	10024339	Steer yoke weldment	1
27	00000387	8832-18 Bearing	2
28	10024343	Tie rod	1

**101.1 Steer Linkage and Wheels Assembly**

Item	Part No.	Description	Qty.
29	00002572	Nut GB/T 6183.1 M10	2
30	10004074	Washer	2
31	00004004	8813-404850 Bearing	4

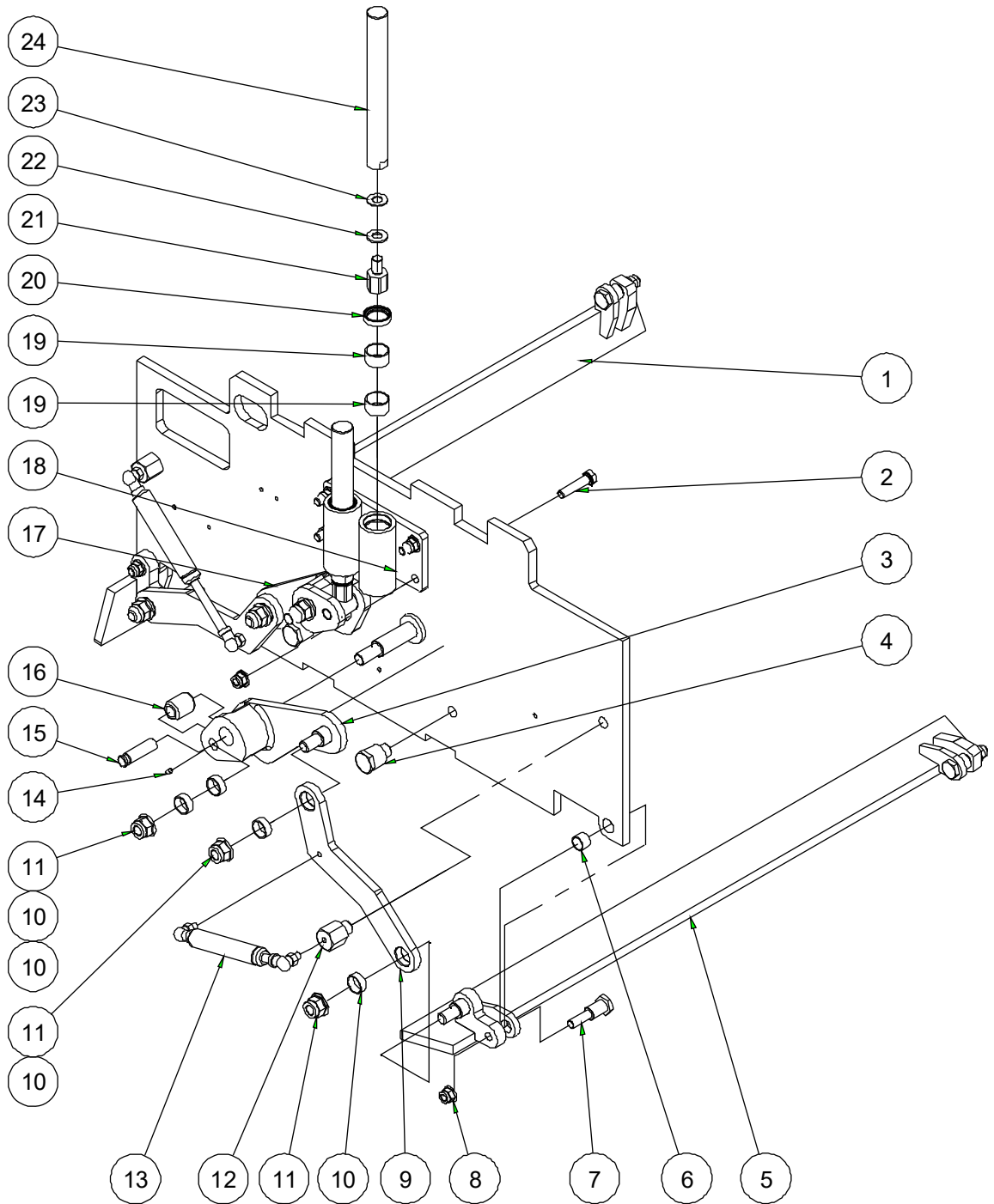
### 102.1 Drive Wheel Assembly



**102.1 Drive Wheel Assembly**

Item	Part No.	Description	Qty.
1	00005263	Bolt QC/T 340 M10×30	8
2	00001157	3/8-24×1 1/4" Screw ANSI B18.3	8
3	00000679	Washer GB/T 93 10	12
4	00000615	Washer GB/T 97.1 10	12
5	10020494	Nut	2
6	10020495	Washer	2
7	10023792	Wheel	2
8	00002079	Cotter pin GB/T 91 4×40	2
9	00010072	Right drive motor assembly	1
--	00010130	Right motor	1
--	00009296	Reducer	1
--	00010133	Output shaft	1
--	00010131	Brake	1
--	00009469	Key GB/T 1096 6×6×32	1
10	10023747	Support	2
11	00010075	Left drive motor assembly	1
--	00010134	Left motor	1
--	00009296	Reducer	1
--	00010133	Output shaft	1
--	00010131	Brake	1
--	00009469	Key GB/T 1096 6×6×32	1
12	10023791	Plate (without outlet hole)	1
	10024651	Plate (without one outlet hole)	1
	10024682	Plate (without two outlet hole)	1
13	00001060	Screw GB/T 818 M6×12 - H	5
14	00002238	Screw GB/T 70.1 M10×35	4

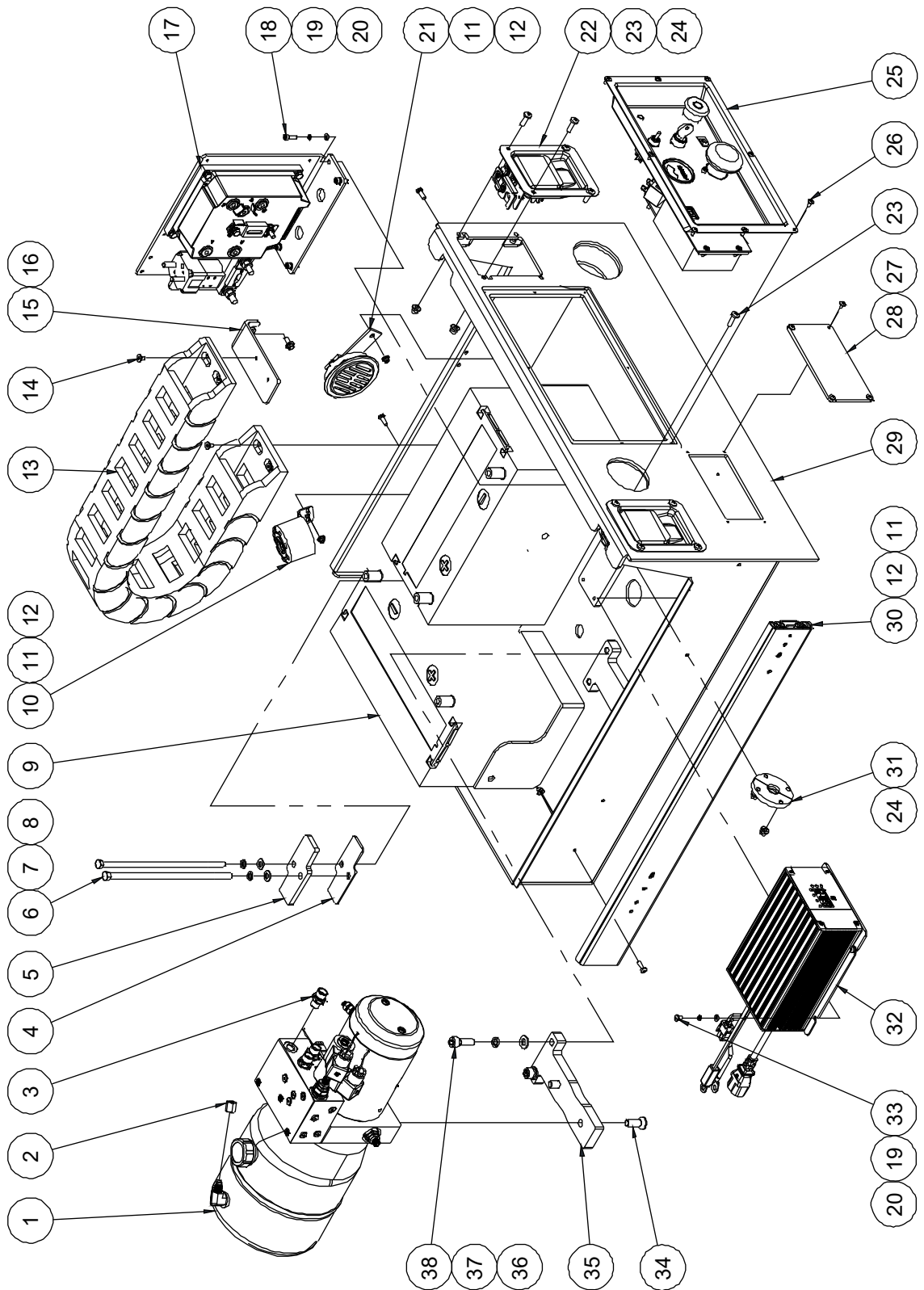
### 103.1 Pothole Protection Assembly



**103.1 Pothole Protection Assembly**

Item	Part No.	Description	Qty.
1	10023779	Pothole guard weldment	1
2	00002411	Bolt GB/T 5783 M10×45	4
3	10001467	Linkage weldment	1
4	10001466	Pin	2
5	10023777	Pothole guard weldment	1
6	00000351	8812-161812 Bearing	4
7	10001465	Pin	4
8	00002572	Nut GB/T 6183.1 M10	8
9	10002258	Pothole link plate	2
10	00000356	8812-202309 Bearing	8
11	00002577	Nut GB/T 6183.1 M14	6
12	10001464	Gas shock strut	2
13	10001495	Gas shock	2
14	00001039	Screw GB/T 78 M5×10	2
15	10001463	Pin	2
16	10001462	Roller	2
17	10001471	Linkage weldment	1
18	10014566	Pothole guide	1
19	00000367	8812-252815 Bearing	4
20	00007482	Seal GB/T 13871.1 FB 25 32 7 III	2
21	10001491	Pothole hole pusher pin	2
22	10001493	Adjusting washer 2	2
23	10001494	Adjusting washer 3	2
24	10001490	Pothole hole pusher rod	2

### 104.1 Battery Pack Module



**104.1 Battery Pack Module**

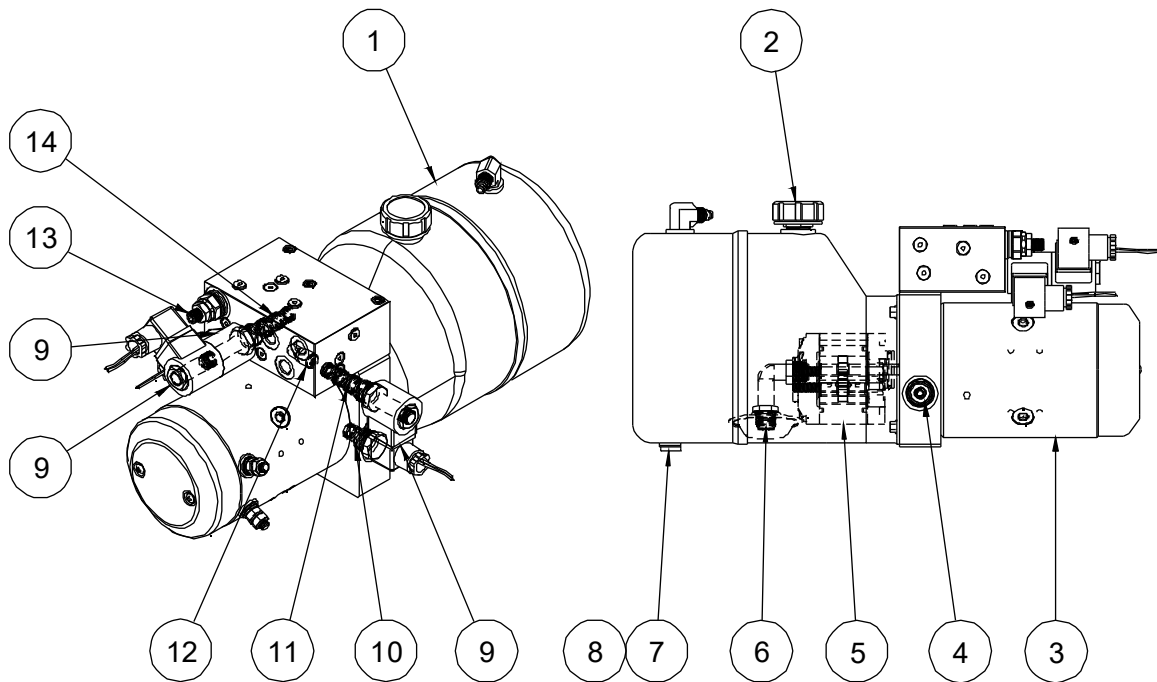
Item	Part No.	Description	Qty.
1	00004274	Hydraulic power unit (refer to 105.1)	1
2	10000462	Nut	1
3	00001318	Straight fitting	3
4	10026878	Press plate	1
5	10026879	Press plate	1
6	10026880	Threaded rod	2
7	00000609	Washer GB/T 93 8	4
8	00000608	Washer GB/T 97.1 8	4
9	00002200	Battery	2
10	00001244	Alarm	1
11	00002573	Nut GB/T 6183.1 M5	8
12	00001250	Screw GB/T 818 M5×16 - H	8
13	10001997	Towline	1
14	00000828	Screw GB/T 70.3 M6×10	4
15	10002024	Towline bracket	1
16	00002865	Bolt QC/T 340 M6×14	2
17		Motor controller assembly (refer to 106.1)	1
18	00001246	Screw GB/T 70.1 M5×16	4
19	00000606	Washer GB/T 93 5	10
20	00000605	Washer GB/T 97.1 5	10
21	00000666	Horn	1
22	10011884	Latch	2
23	00001166	Screw GB/T 818 M6×20 - H	12
24	00002574	Nut GB/T 6183.1 M6	12
25		Ground control assembly (refer to 107.1, 107.2)	1
26	00001002	Screw GB/T 973 M4×10	8
27	00001001	Screw GB/T 973 M4×8	4
28	10015566	Cover	1
29	10026882	Battery tray weldment	1



**104.1 Battery Pack Module**

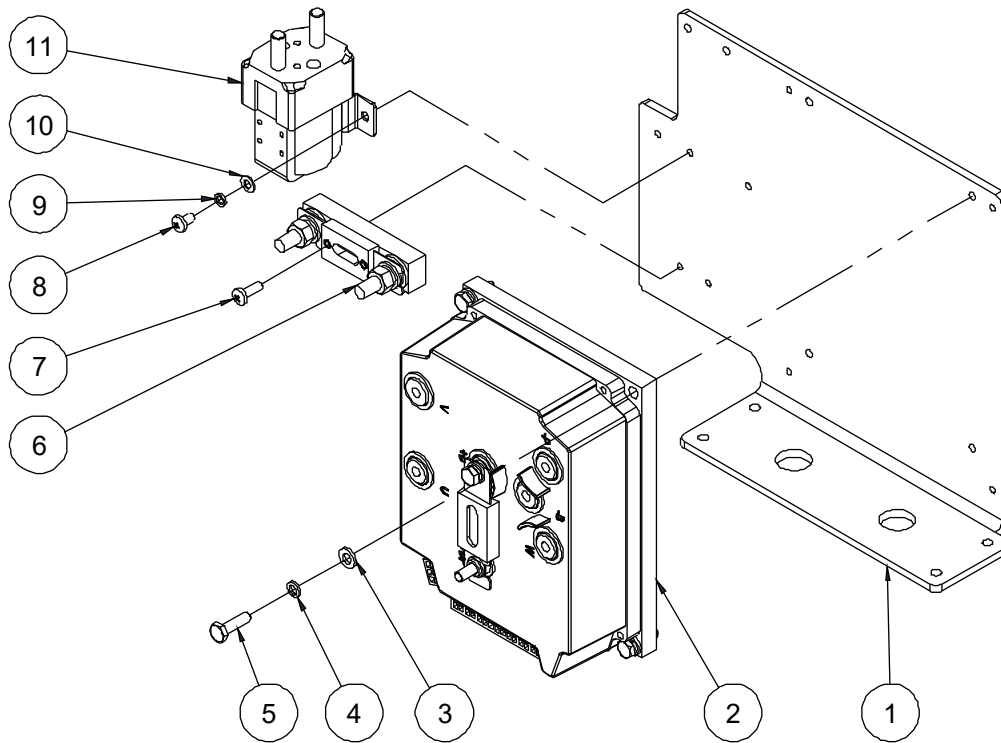
Item	Part No.	Description	Qty.
30	10001541	Glide track	2
31	10000537	Half-round batten	2
32	00005060	Charger	1
33	00002391	Screw GB/T 818 M5×8 - H	6
34	00000847	Screw GB/T 70.3 M10×30	2
35	10001521	Bracket	1
36	00000615	Washer GB/T 97.1 10	2
37	00000679	Washer GB/T 93 10	2
38	00001059	Screw GB/T 70.1 M10×30	2

**105.1 Hydraulic Power Unit**



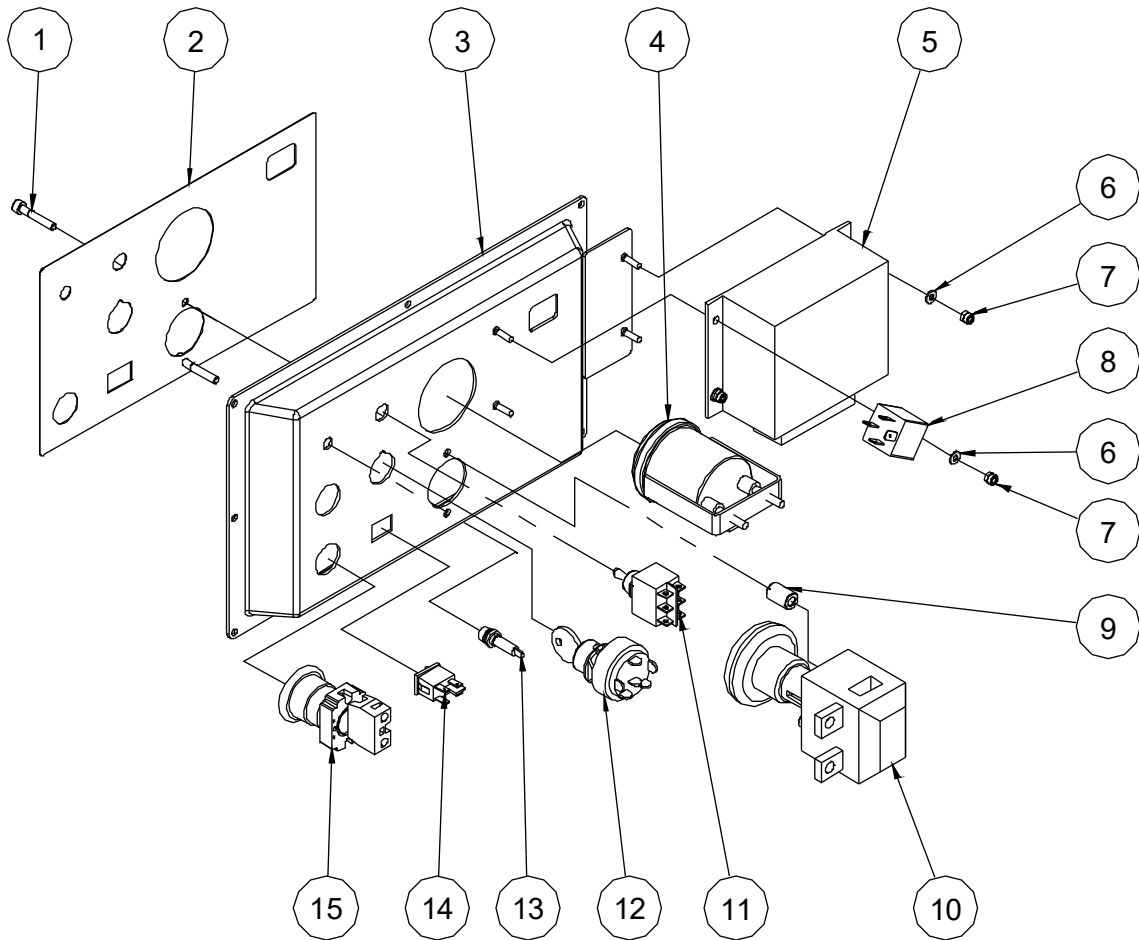
**105.1 Hydraulic Power Unit**

Item	Part No.	Description	Qty.
1	00004277	Tank	1
2	00004286	Tank cover	1
3	00004276	Motor	1
4	00004278	Relief valve	1
5	00004275	Pump	1
6	00004281	Filter web	1
7	00004302	Plug	1
8	00001333	Washer JB/T 982 12	1
9	00004284	Coil	3
10	00004285	Check valve	1
11	00004282	Solenoid valve spool	1
12	00004280	Pressure compensation valve	1
13	00004294	Relief valve	1
14	00004283	Solenoid valve spool	1

**106.1 Motor Controller Assembly****106.1 Motor Controller Assembly**

Item	Part No.	Description	Qty.
1	10002960	Mounting plate	1
2	00002483	Motor controller	1
3	00000620	Washer GB/T 97.1 6	4
4	00000621	Washer GB/T 93 6	4
5	00000743	Bolt GB/T 5783 M6×20	4
6	00003069	200A Fuse assembly	1
--	00000759	200A Fuse	1
--	00000757	Fuse seat	1
7	00002313	Screw GB/T 818 M5×14 - H	2
8	00002391	Screw GB/T 818 M5×8 - H	2
9	00000606	Washer GB/T 93 5	2
10	00000605	Washer GB/T 97.1 5	2
11	00002028	DC Contactor	1

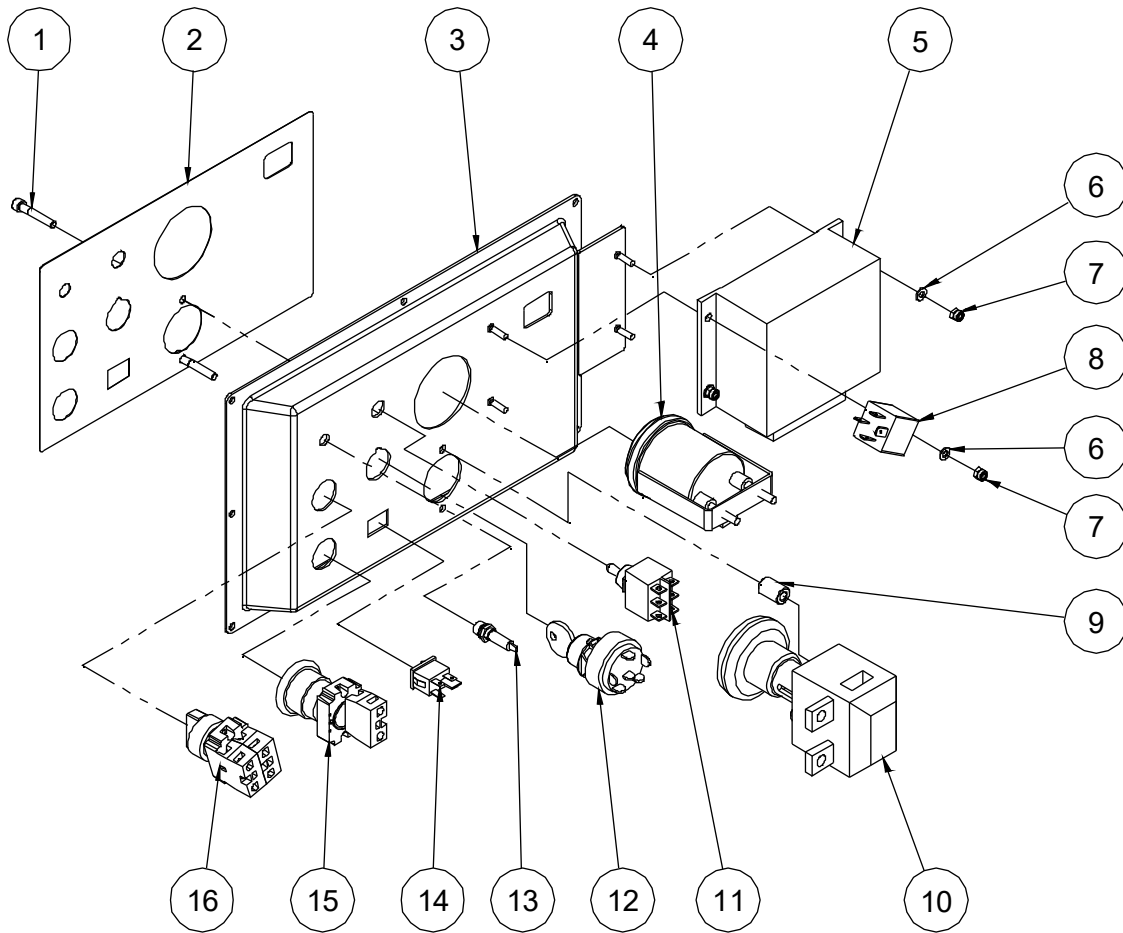
### 107.1 Ground Control Assembly



**107.1 Ground Control Assembly**

Item	Part No.	Description	Qty.
1	00001253	Screw GB/T 70.1 M5×30	2
2	09110056	Decal, Ground control panel	1
3	10011874	Ground control panel weldment	1
4	00009185	Hour meter	1
5	00007218	Controller (sensata)	1
	00009956	Controller (Victech)	1
6	00000778	Washer GB/T 97.1 4	4
7	00001236	Nut GB/T 889.1 M4	4
8	00002561	Relay	1
9	10011942	Sleeve pipe	2
10	00000655	Power switch	1
11	00000738	Toggle switch	1
12	00001243	Key switch (key removable in off position)	1
	00003356	Key switch (key removable in all position)	1
--	00003050	Key	1
13	00000734	Indicator	1
14	00006131	Brake release switch	1
15	00000921	Emergency stop switch	1
--	00000754	Red mushroom head	1
--	00000752	Base with 1 NC contact	1

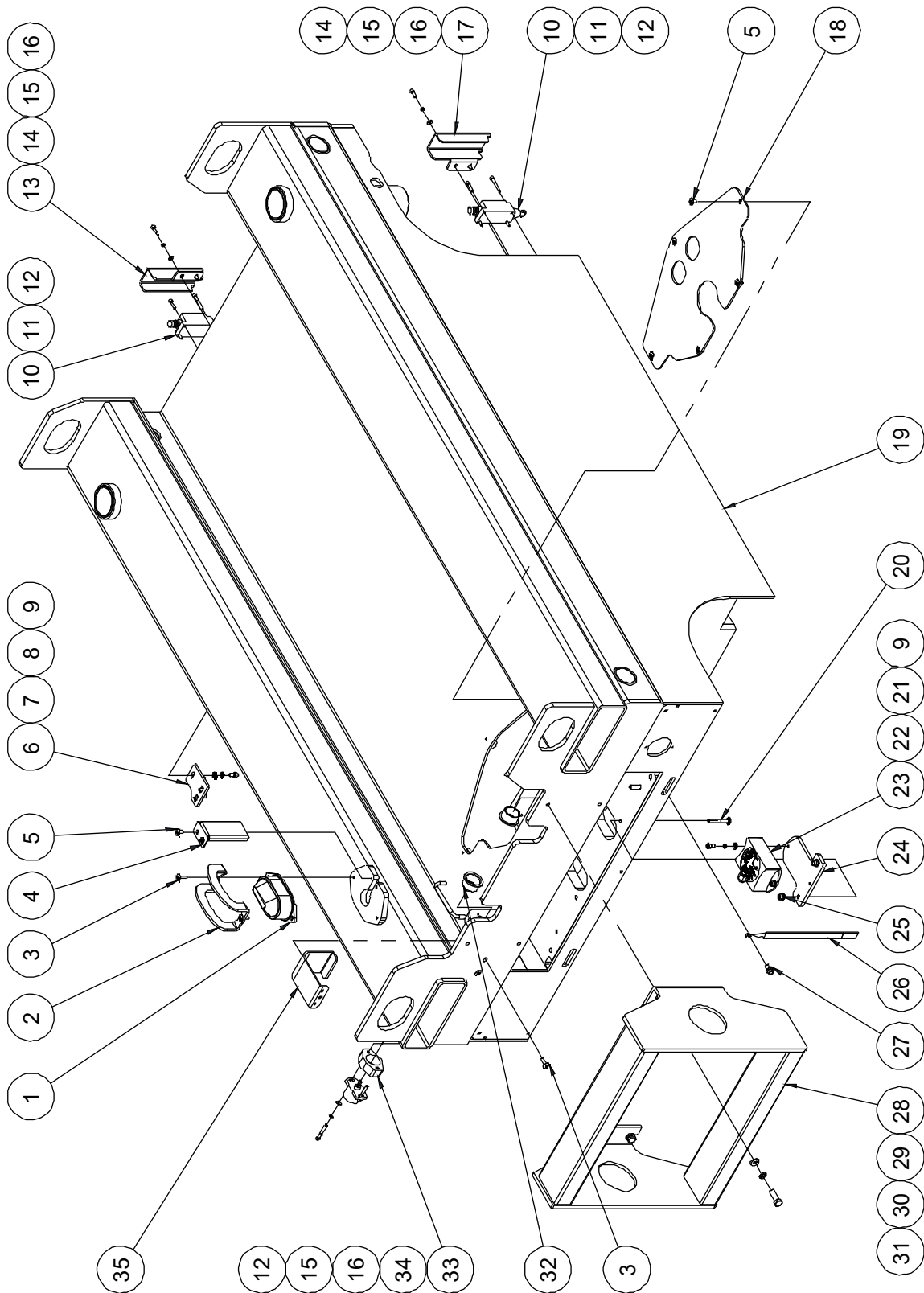
### 107.2 Ground Control Assembly



**107.2 Ground Control Assembly**

Item	Part No.	Description	Qty.
1	00001253	Screw GB/T 70.1 M5×30	2
2	09110036	Decal, Ground control panel	1
3	10011874	Ground control panel weldment	1
4	00009185	Hour meter	1
5	00007218	Controller	1
6	00000778	Washer GB/T 97.1 4	4
7	00001236	Nut GB/T 889.1 M4	4
8	00002561	Relay	1
9	10011942	Sleeve pipe	2
10	00000655	Power switch	1
11	00000738	Toggle switch	1
12	00001243	Key switch	1
--	00003050	Key	1
13	00000734	Indicator	1
14	00006131	Brake release switch	1
15	00000921	Emergency stop switch	1
--	00000754	Red mushroom head	1
--	00000752	Base with 1 NC contact	1
16	00008419	Select switch	1
--	00006745	Select switch head	1
--	00000752	Base with 1 NC contact	1

### 108.1 Ladder and Accessories





**108.1 Ladder and Accessories**

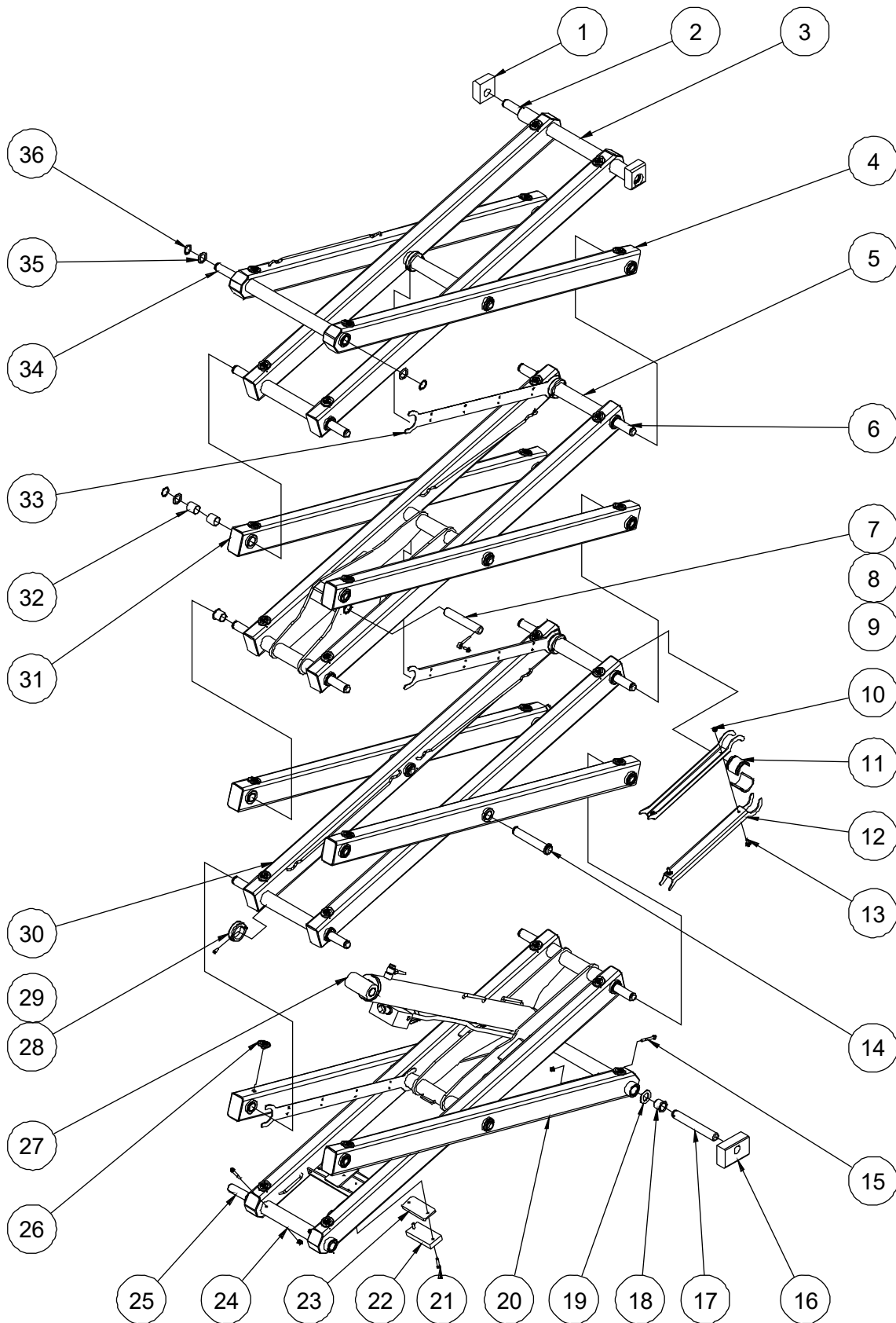
Item	Part No.	Description	Qty.
1	00000740	Beacon	1
2	10000488	Beacon cover	1
3	00002523	Screw GB/T 973 M5×16	4
4	10014035	Baffle plate	1
5	00000999	Screw GB/T 973 M5×10	7
6	10011886	Lock clasp	2
7	00007943	Washer GB/T 862.2 5	6
8	00007942	Washer GB/T 861.2 5	6
9	00001030	Screw GB/T 70.1 M5×10	8
10	00002419	Limit switch	2
11	00000604	Screw GB/T 70.1 M4×16	4
12	00002415	Screw GB/T 70.1 M4×30	6
13	10001567	Switch cover	1
14	00001054	Screw GB/T 70.1 M4×12	4
15	00000779	Washer GB/T 93 4	6
16	00000778	Washer GB/T 97.1 4	6
17	10001566	Switch cover	1
18	10002118	Cover	1
19	10024427	Frame weldment (JCPT0608DCH)	1
	10023753	Frame weldment (JCPT0708DCH)	1
20	00003176	Bolt GB/T 5782 M6×40	2
21	00000606	Washer GB/T 93 5	2
22	00000605	Washer GB/T 97.1 5	2
23	00000694	Tilt sensor	1
24	10002025	Sensor bracket	1
25	00002574	Nut GB/T 6183.1 M6	2
26	10000487	Ground strap	1
27	00002863	Bolt QC/T 340 M6×10	1

**108.1 Ladder and Accessories**

Item	Part No.	Description	Qty.
28	10014896	Ladder (without circuit breaker bracket)	1
	10021406	Ladder (with circuit breaker bracket)	1
29	00000608	Washer GB/T 97.1 8	4
30	00000609	Washer GB/T 93 8	4
31	00000993	Bolt GB/T 5783 M8×25	4
32	00000229	8822-25165 Bearing	2
33	10001569	Sensor bracket	1
34	00000644	Rotary sensor	1
35	10014032	Cover	1

# Section 2 Scissor

201.1 Scissor Assembly (JCPT0608DCH)



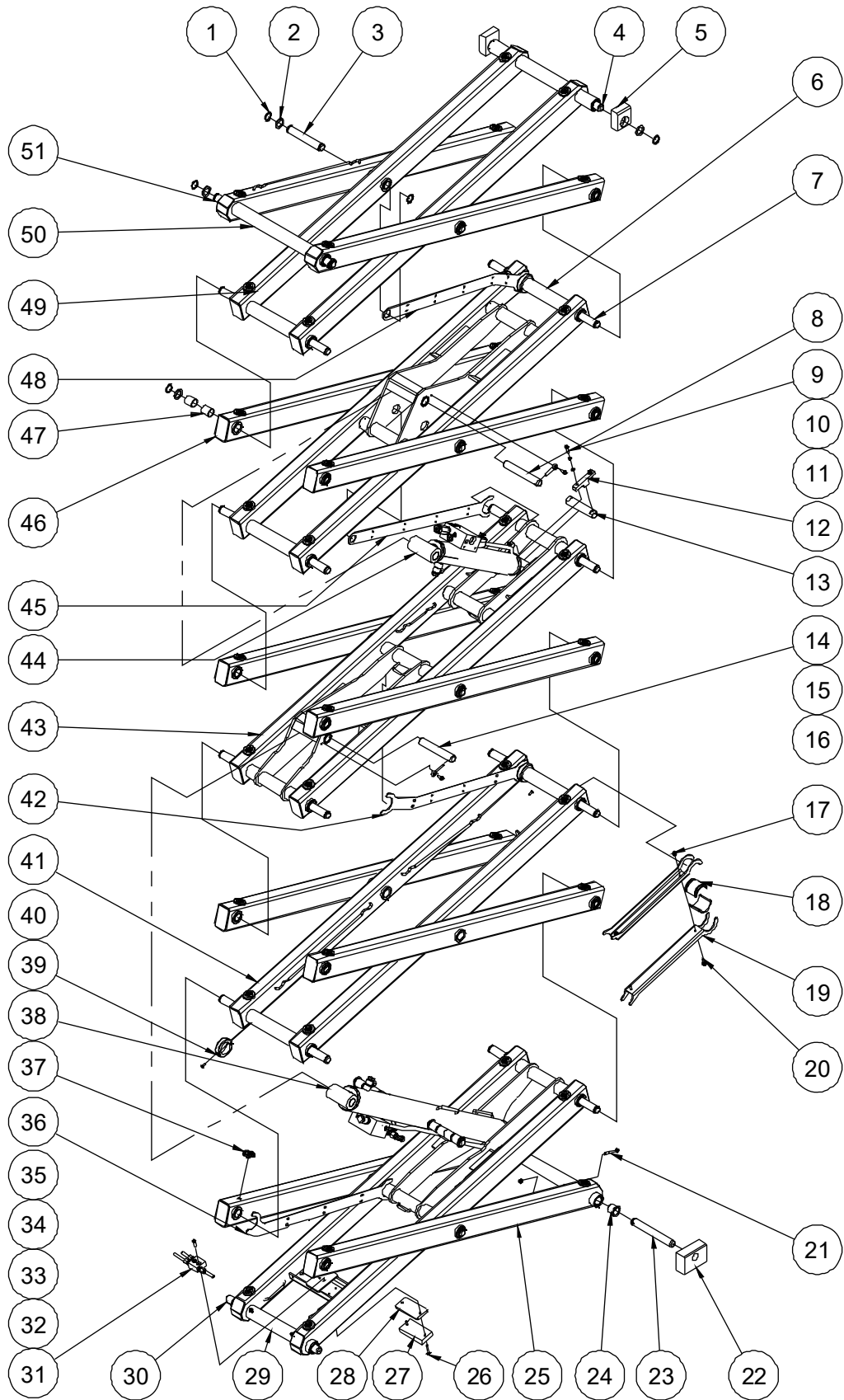
**201.1 Scissor Assembly (JCPT0608DCH)**

Item	Part No.	Description	Qty.
1	10001420	Platform slider	2
2	00000561	899-25502 Pin	1
3	10019878	Inner arm 4	1
4	10014104	Outer arm 5	1
5	10019875	Inner arm 3	1
6	00000560	899-25468 Pin	9
7	00000584	895-25135 Pin	2
8	00000217	8902-06045 Pin	2
9	00002864	Bolt QC/T 340 M6×16	2
10	00002574	Nut GB/T 6183.1 M6	6
11	10001403	Safety arm bushing	2
12	10001402	Safety arm	2
13	00002866	Bolt QC/T 340 M6×20	2
14	00000559	899-25136 Pin	2
15	00002569	Bolt GB/T 16674 M6×55	4
16	10014145	Chassis slider	2
17	00002334	896B-25×14 Pin	2
18	00003062	8822-25265 Bearing	26
19	10021558	Washer	1
20	10014111	Outer arm 1	1
21	00000863	Screw GB/T 70.3 M6×35	2
22	10001400	Pothole pusher	1
23	10023674	Pothole Block	1
24	10014081	Inner arm 1	1
25	10001405	Pin	1
26	10000264	Block	32
27		Lower lift cylinder assembly (without seal kit) (refer to 401.1)	1
28	10011776	Collar	4

**201.1 Scissor Assembly (JCPT0608DCH)**

Item	Part No.	Description	Qty.
29	00000822	Screw GB/T 70.3 M5×16	4
30	10025497	Inner arm 2	1
31	10014112	Outer arm 2	4
32	00000370	8812-252830 Bearing	44
33	10002307	Cable bridge	3
34	00000562	899-25516 Pin	1
35	10001404	Washer	26
36	00000781	Washer JB/ZQ 4342-25	26

### 201.2 Scissor Assembly (JCPT0708DCH)



**201.2 Scissor Assembly (JCPT0708DCH)**

Item	Part No.	Description	Qty.
1	00000781	Circlips JB/ZQ 4342-25	36
2	10001404	Washer	34
3	00000559	899-25136 Pin	6
4	00000561	899-25502 Pin	1
5	10001420	Platform slider	2
6	10014110	Inner arm 4	1
7	00000560	899-25468 Pin	10
8	00002938	895-25145 Pin	1
9	00001034	Screw GB/T 70.1 M6×25	4
10	00000621	Washer GB/T 93 6	4
11	00000620	Washer GB/T 97.1 6	4
12	10002310	Lock plate	2
13	10002309	Pin	1
14	00000584	895-25135 Pin	2
15	00000217	8902-06045 Pin	3
16	00002864	Bolt QC/T 340 M6×16	3
17	00002574	Nut GB/T 6183.1 M6	6
18	10001403	Safety arm bushing	2
19	10001402	Safety arm	2
20	00002866	Bolt QC/T 340 M6×20	2
21	00002569	Bolt GB/T 16674 M6×55	4
22	10014145	Chassis slider	2
23	00002334	896B-25×14 Pin	2
24	00003062	8822-25265 Bearing	28
25	10014111	Outer arm 1	1
26	00000832	Screw GB/T 70.3 M6×25	2
27	10001400	Pothole pusher	1
28	10023674	Pothole Block	1
29	10014081	Inner arm 1	1

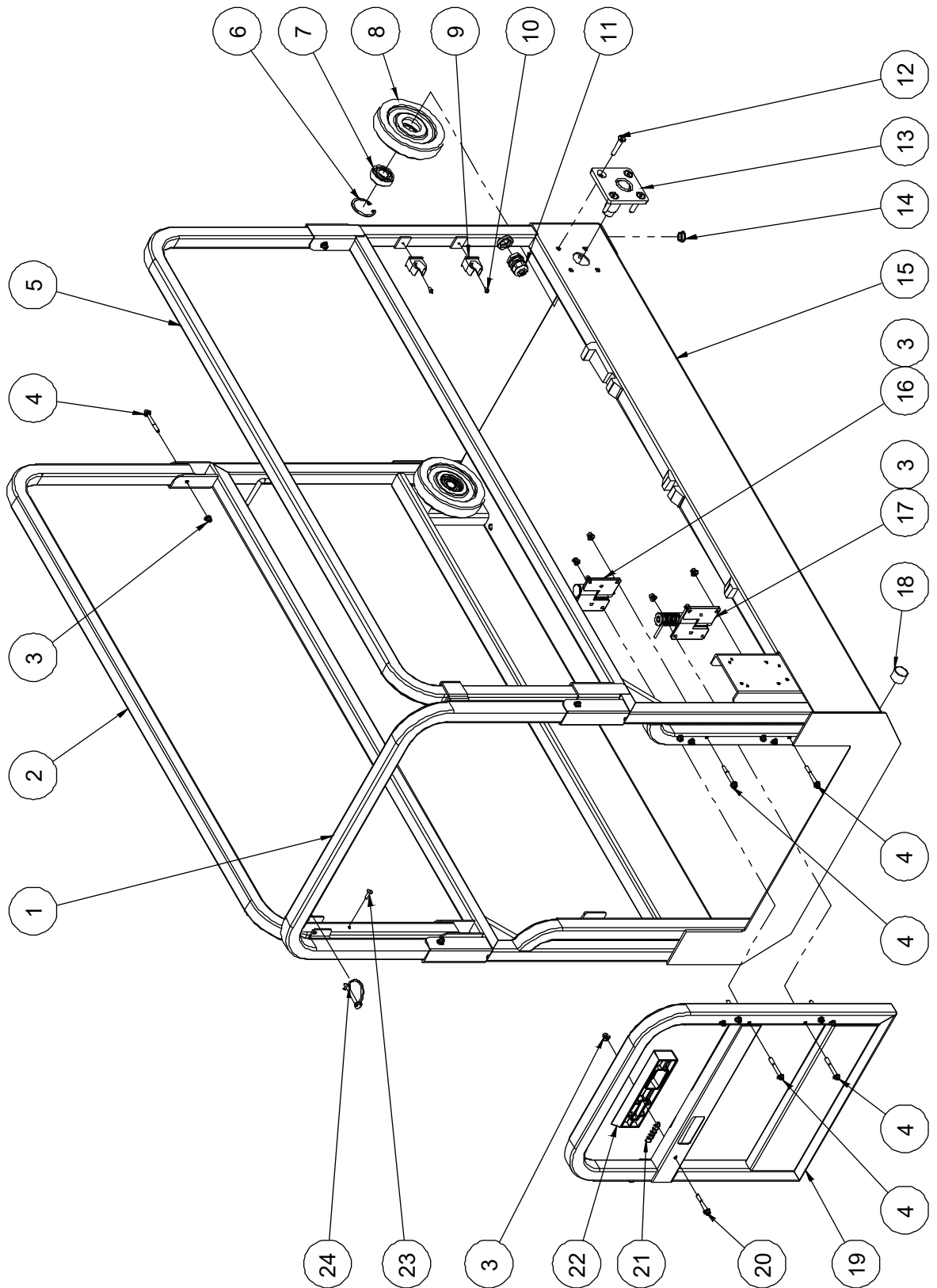


**201.2 Scissor Assembly (JCPT0708DCH)**

Item	Part No.	Description	Qty.
30	10001405	Pin	1
31	10000425	Hydraulic hoses manifolds	1
32	10005753	Hose (to upper lift cylinder)	1
33	10002367	Hose (to tank)	1
34	10005752	Hose (to lower lift cylinder)	1
35	00000832	Screw GB/T 70.3 M6×25	2
36	10027142	Cable bridge	1
37	10000264	Block	40
38		Lower lift cylinder assembly (without seal kit) (refer to 401.1)	1
39	10011776	Collar	3
40	00000822	Screw GB/T 70.3 M5×16	3
41	10014089	Inner arm 2	1
42	10014143	Cable bridge	1
43	10014109	Inner arm 3	1
44		Upper lift cylinder assembly (without seal kit) (refer to 402.1)	1
45	10002308	Cable bridge	1
46	10014112	Outer arm 2	6
47	00000370	8812-252830 Bearing	64
48	10004340	Cable bridge	1
49	10014099	Inner arm 5	1
50	10014104	Outer arm 5	1
51	00000562	899-25516 Pin	1

# Section 3 Platform

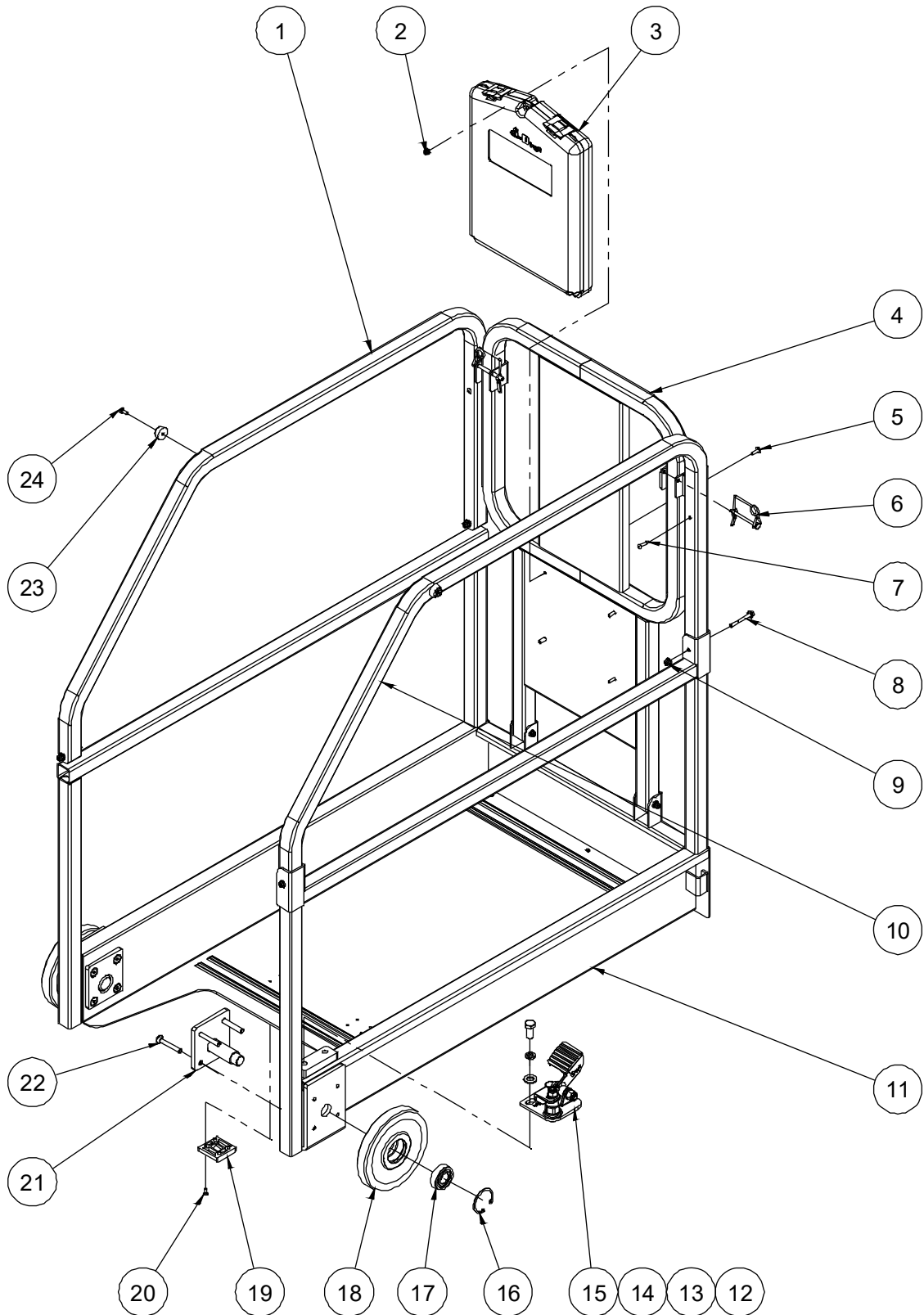
301.1 Main Platform Assembly



**301.1 Main Platform Assembly**

Item	Part No.	Description	Qty.
1	10001278	Rear rail	1
2	10002354	Upper main rail, left	1
3	00002574	Nut GB/T 6183.1 M6	19
4	00002581	Bolt GB/T 16674 M6×50	18
5	10002355	Upper main rail, right	1
6	00000887	Circlips GB/T 893.1-47	2
7	00001295	Bearing GB/T 276-1994 - 6204	2
8	10002031	Roller	2
9	00001823	Clip 24	2
10	00004385	Screw GB/T 823 M4×8	2
11	00002316	Water-proof joint M24	1
12	00001154	Screw GB/T 70.3 M8×45	8
13	10000307	Roller bracket	2
14	10001389	Sheath	1
15	10002347	Main deck weldment	1
16	10000299	Hinge A	1
17	10000302	Hinge B	1
18	00000368	8812-252820 Bearing	2
19	10001250	Entry gate	1
20	00002585	Bolt GB/T 16674 M6×45	1
21	10002379	Spring	1
22	10001255	Latch handle	1
23	00001991	Rivet GB/T 12618.4 4.8×16	2
24	10001178	Inserted pin	2

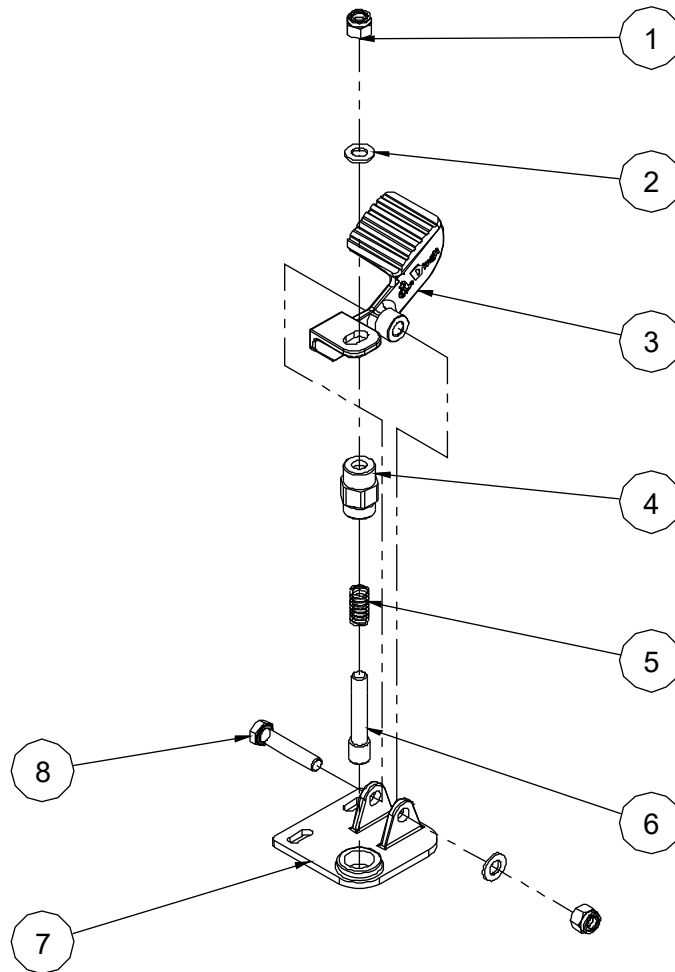
### 302.1 Platform Extension Assembly



**302.1 Platform Extension Assembly**

Item	Part No.	Description	Qty.
1	10001245	Upper extension rail, left	1
2	00002573	Nut GB/T 6183.1 M5	4
3	50000555	Manual box	1
4	10001266	Front rail	1
5	00002523	Screw GB/T 973 M5×16	4
6	10001178	Inserted pin	2
7	00001991	Rivet GB/T 12618.4 4.8×16	2
8	00002581	Bolt GB/T 16674 M6×50	6
9	00002574	Nut GB/T 6183.1 M6	6
10	10001247	Upper extension rail, right	1
11	10012846	Extension deck weldment	1
12	00000816	Bolt GB/T 5783 M12×25	2
13	00000815	Washer GB/T 93 12	2
14	00000814	Washer GB/T 97.1 12	2
15	10012174	Platform locking device assembly (refer to 303.1)	1
16	00000887	Circlips GB/T 893.1-47	2
17	00001295	Bearing GB/T 276-1994 - 6204	2
18	10002054	Roller	2
19	10000046	Slide pad	2
20	00002337	Screw GB/T 819 M5×12 - H	8
21	10000307	Roller bracket	2
22	00001155	Screw GB/T 70.3 M8×55	8
23	10000376	Bumper	2
24	00000607	Screw GB/T 818 M5×12 - H	2

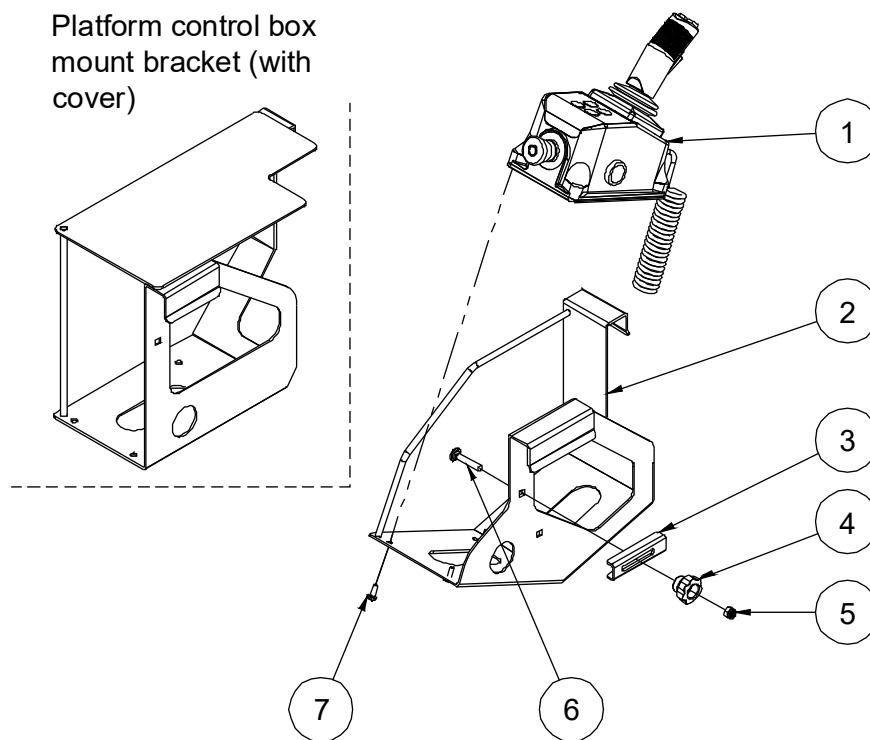
**303.1 Platform Locking Device Assembly**



**303.1 Platform Locking Device Assembly**

Item	Part No.	Description	Qty.
1	00000623	Nut GB/T 6182 M10	2
2	00000615	Washer GB/T 97.1 10	2
3	10000334	Foot pedal	1
4	10000337	Lock pin housing	1
5	10000336	Spring	1
6	10000338	Lock pin	1
7	10012175	Bracket	1
8	00002030	Bolt GB/T 5782 M10×50	1

### 304.1 Platform Control Assembly

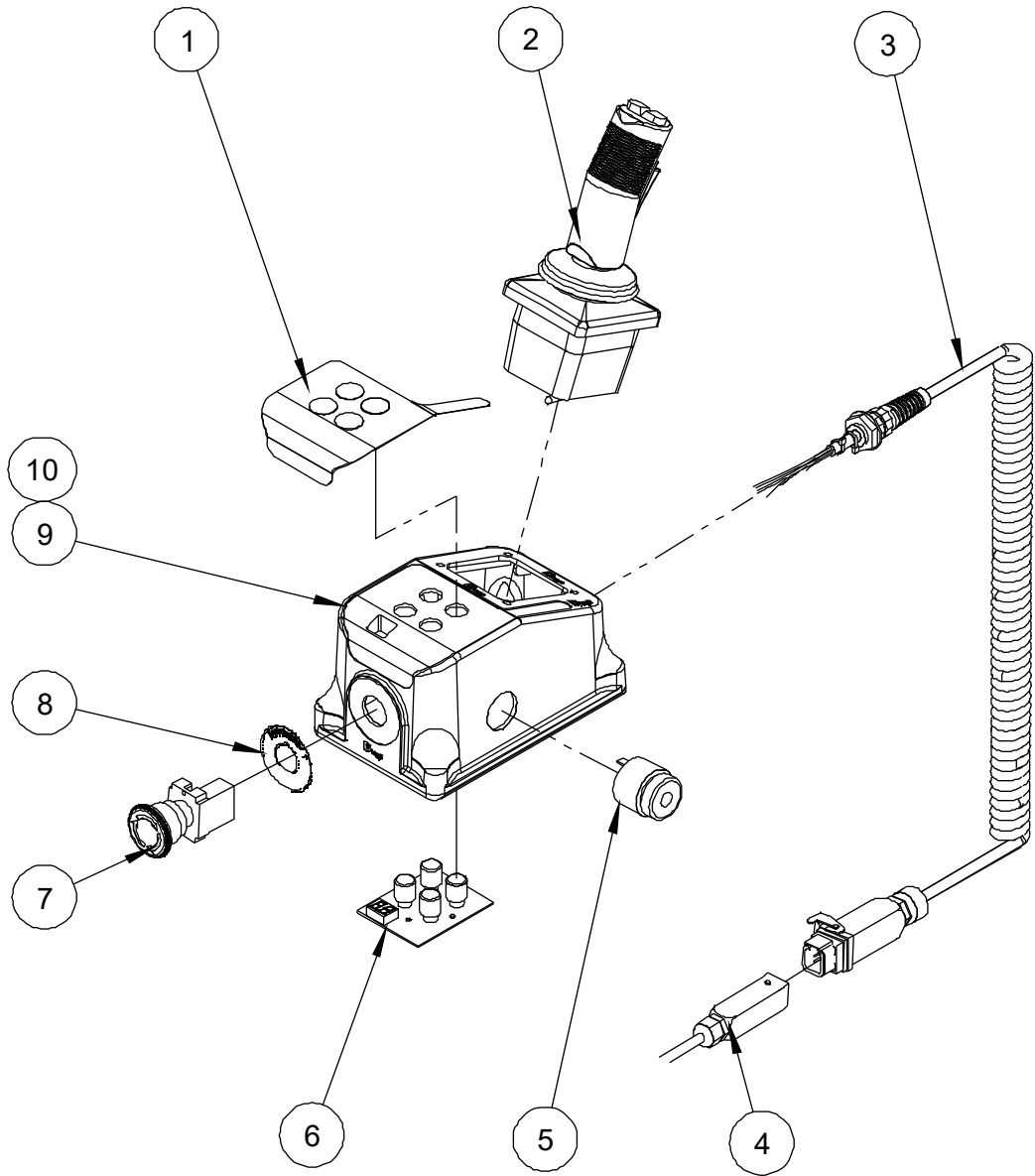


### 304.1 Platform Control Assembly

Item	Part No.	Description	Qty.
1	00000706	Platform control box assembly (refer to 305.1) (sensata)	1
	00009957	Platform control box assembly (refer to 305.1) (Victech)	1
2	10001251	Platform control box mount bracket	1
	10001949	Platform control box mount bracket (with cover)	1
3	10002023	Locating plate	1
4	10004827	Handle	1
5	00001163	Nut GB/T 6182 M8	1
6	00004384	Bolt GB/T 801 M8×45	1
7	00001986	Screw GB/T 818 M6×16 - H	4



### 305.1 Platform Control Box Assembly

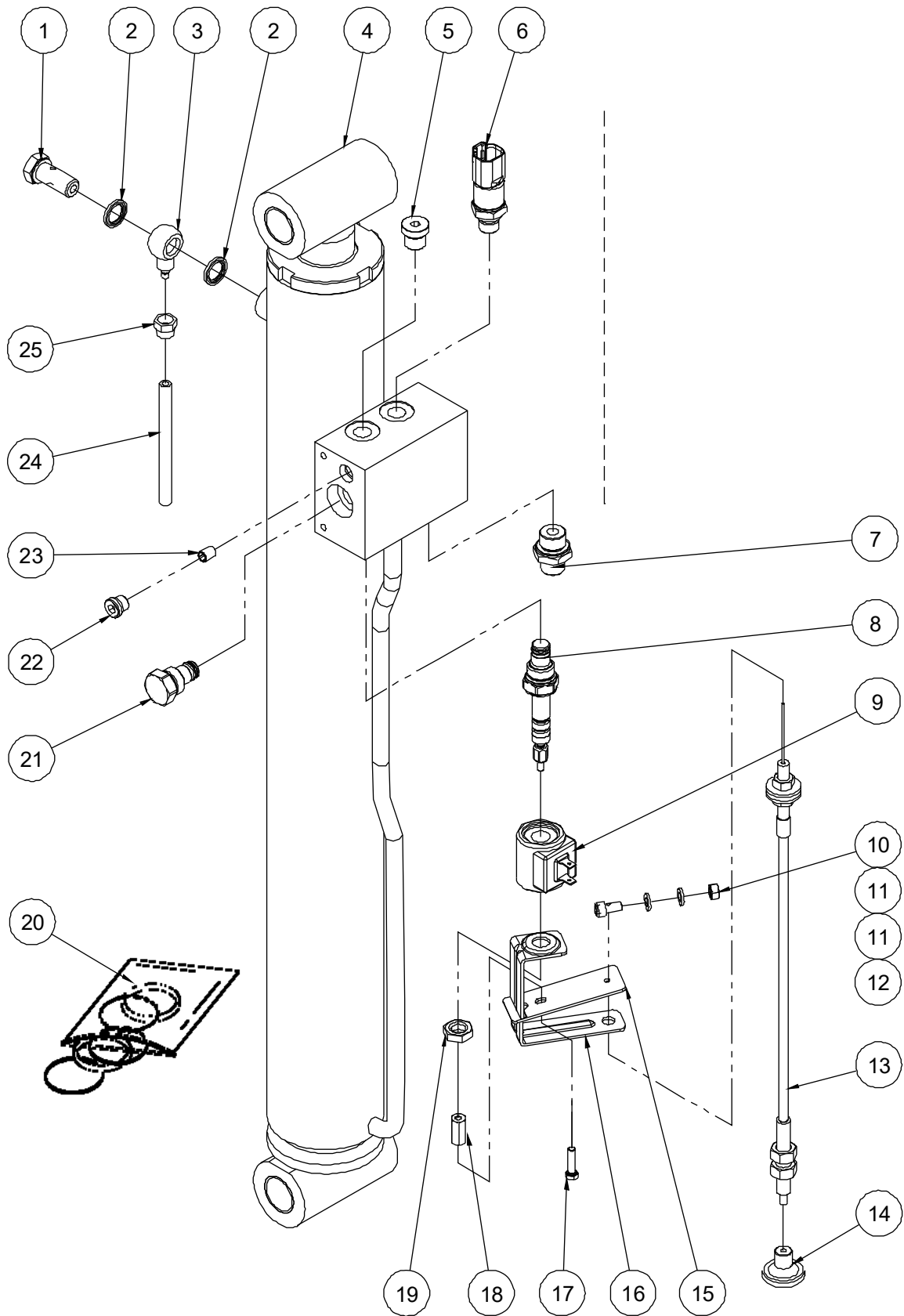


**305.1 Platform Control Box Assembly**

Item	Part No.	Description	Qty.
1	09140001	Decal, Platform control panel (sensata)	1
	00011287	Decal, Platform control panel (Victech)	1
2	00000711	Joystick	1
--	00003033	Function enable switch	1
--	00003034	Joystick cover	1
--	00003035	Joystick steer switch	1
--	00003036	Switch boot	1
3	00000714	Coil cord	1
--	00003037	Housing	1
--	00003039	Male insert	1
--	00003041	Male contacts	5
--	00003043	Cable gland	1
4	00008377	Platform control box harness	1
--	00003042	Hood	1
--	00003040	Female insert	1
--	00003038	Female contacts	5
--	00003043	Cable gland	1
5	00000712	Alarm	1
6	00000709	Main board	1
--	00000710	Button	4
7	00000713	Emergency stop switch	1
--	00003045	Red mushroom head	1
--	00003046	Base with 1 NC contact	1
8	00002328	Decal, Emergency stop panel	1
9	00000708	Enclosure	1
10	00000707	Cover bottom	1

# Section 4 Hydraulic System

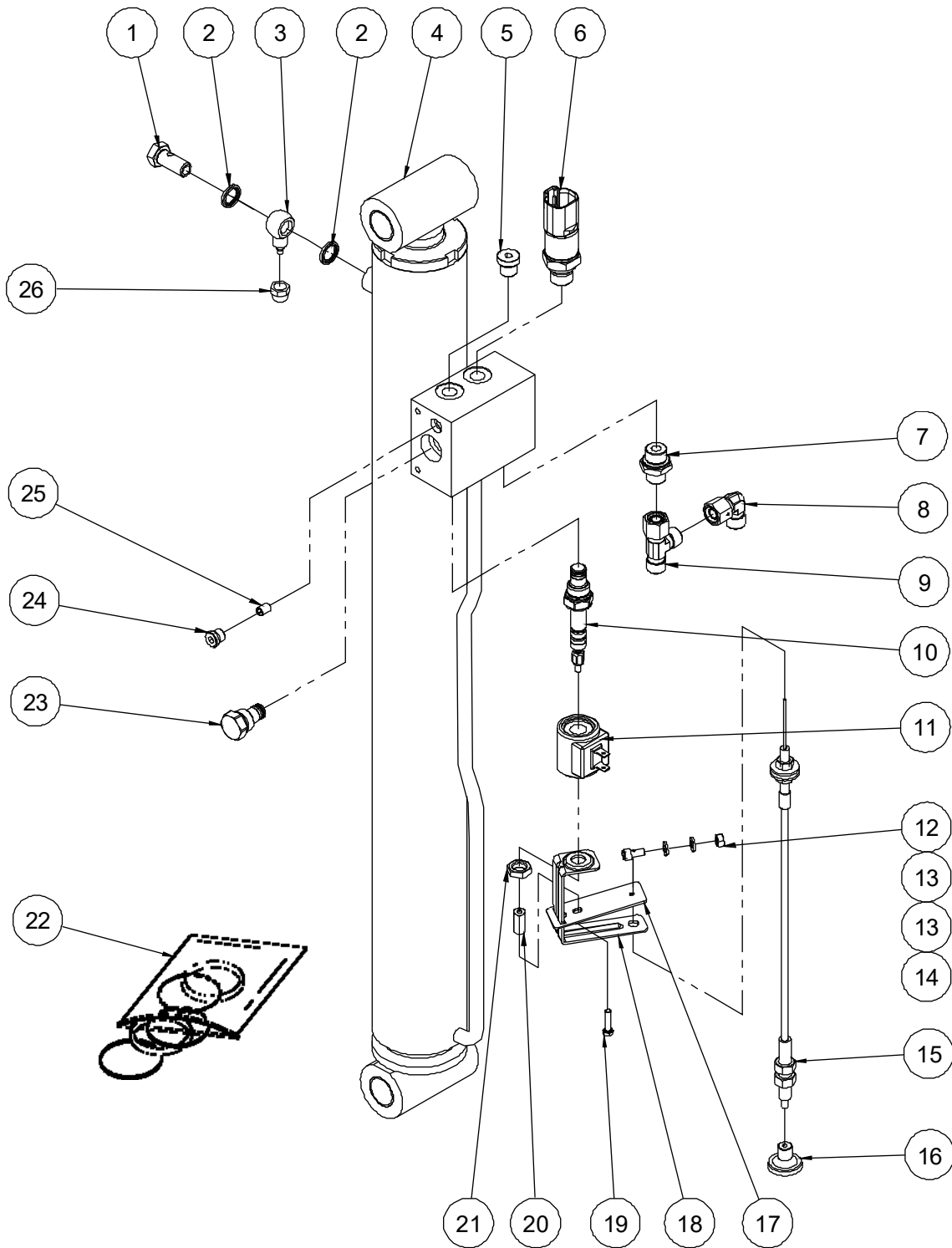
**401.1 Lower Lift Cylinder Assembly (JCPT0608DCH)**



**401.1 Lower Lift Cylinder Assembly (JCPT0608DCH)**

Item	Part No.	Description	Qty.
1	10000464	Fitting	1
2	00002519	Washer BS/A 13.74	2
3	10000465	Fitting	1
4	10014122	Lower lift cylinder	1
5	00001073	Plug VST114×1.5ED	1
6	00007393	Pressure sensor (current signal)	1
	00000696	Pressure sensor (voltage signal)	1
	00001073	Plug VST114×1.5ED (no pressure sensor)	1
7	00001292	Straight fitting	1
8	00005216	Solenoid valve spool	1
9	00007346	Coil	1
10	00002247	Nut GB/T 6170 M6	1
11	00000620	Washer GB/T 97.1 6	2
12	10001457	Screw	1
13	10005769	Emergency down cable assembly	1
14	10001458	Lowering knob	1
15	10014678	Plate	1
16	10014679	Support	1
17	00002268	Bolt GB/T 5783 M5×20	1
18	10005888	Cable connector	1
19	00005377	Nut 1/2-20UNF	1
20	00003336	Seal kit	1
21	10000404	Check valve	1
22	00002998	Plug SAE4	1
23	00003027	Orifice $\Phi$ 1.5	1
24	10018266	Hose	1
25	10000462	Nut	1

**401.2 Lower Lift Cylinder Assembly (JCPT0708DCH)**



**401.2 Lower Lift Cylinder Assembly (JCPT0708DCH)**

Item	Part No.	Description	Qty.
1	10000464	Fitting	1
2	00002519	Washer BS/A 13.74	2
3	10000465	Fitting	1
4	10014122	Lower lift cylinder	1
5	00001073	Plug VSTI14×1.5ED	1
6	00007393	Pressure sensor (current signal)	1
	00000696	Pressure sensor (voltage signal)	1
	00001073	Plug VSTI14×1.5ED (no pressure sensor)	1
7	00001292	Straight fitting	1
8	00001833	Elbow	1
9	00001238	Tee fitting	1
10	00005216	Solenoid valve spool	1
11	00007346	Coil	1
12	00002247	Nut GB/T 6170 M6	1
13	00000620	Washer GB/T 97.1 6	2
14	10001457	Screw	1
15	10005769	Emergency down cable assembly	1
16	10001458	Lowering knob	1
17	10014678	Plate	1
18	10014679	Support	1
19	00002268	Bolt GB/T 5783 M5×20	1
20	10005888	Cable connector	1
21	00005377	Nut 1/2-20UNF	1
22	00003336	Seal kit	1
23	10000404	Check valve	1
24	00002998	Plug SAE4	1
25	00003027	Orifice $\Phi$ 1.5	1
26	10000462	Nut	1

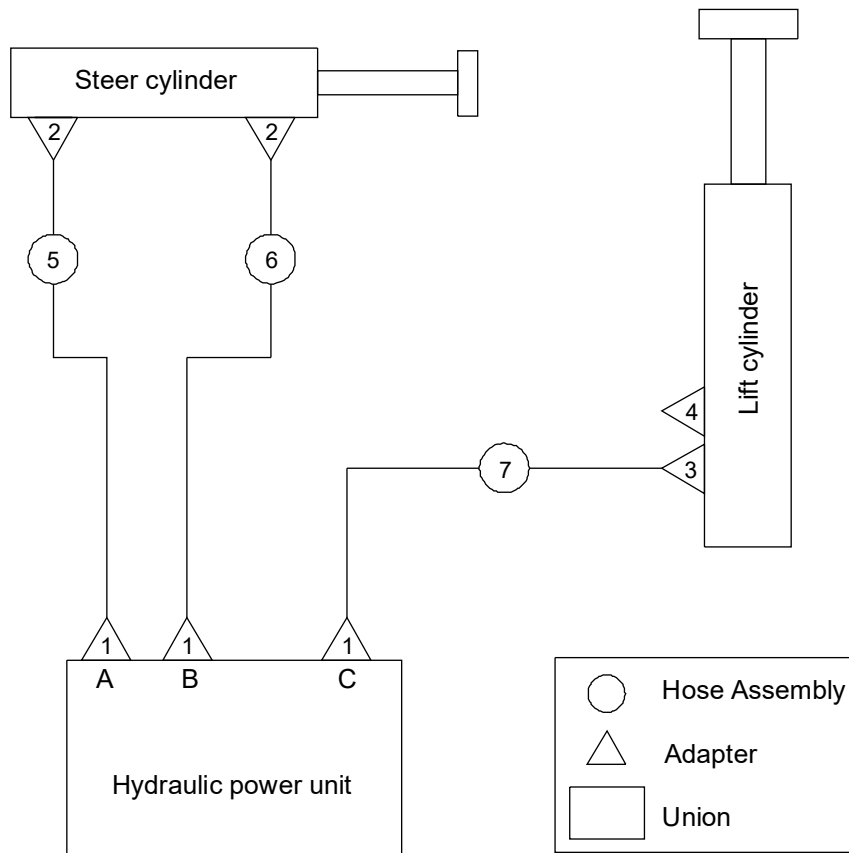




**402.1 Upper Lift Cylinder Assembly (JCPT0708DCH)**

Item	Part No.	Description	Qty.
1	10000464	Fitting	1
2	00002519	Washer BS/A 13.74	2
3	10000465	Fitting	1
4	10014126	Upper lift cylinder	1
5	00001073	Plug VST114×1.5ED	1
6	10000086	Relief valve	1
7	00001292	Straight fitting	1
8	00004686	Solenoid valve spool	1
9	00003018	Coil	1
10	00003017	Nut	1
11	00003337	Seal kit	1
12	10000404	Check valve	1
13	00002998	Plug SAE4	1
14	00003028	Orifice $\Phi 0.7$	1
15	10000462	Nut	1

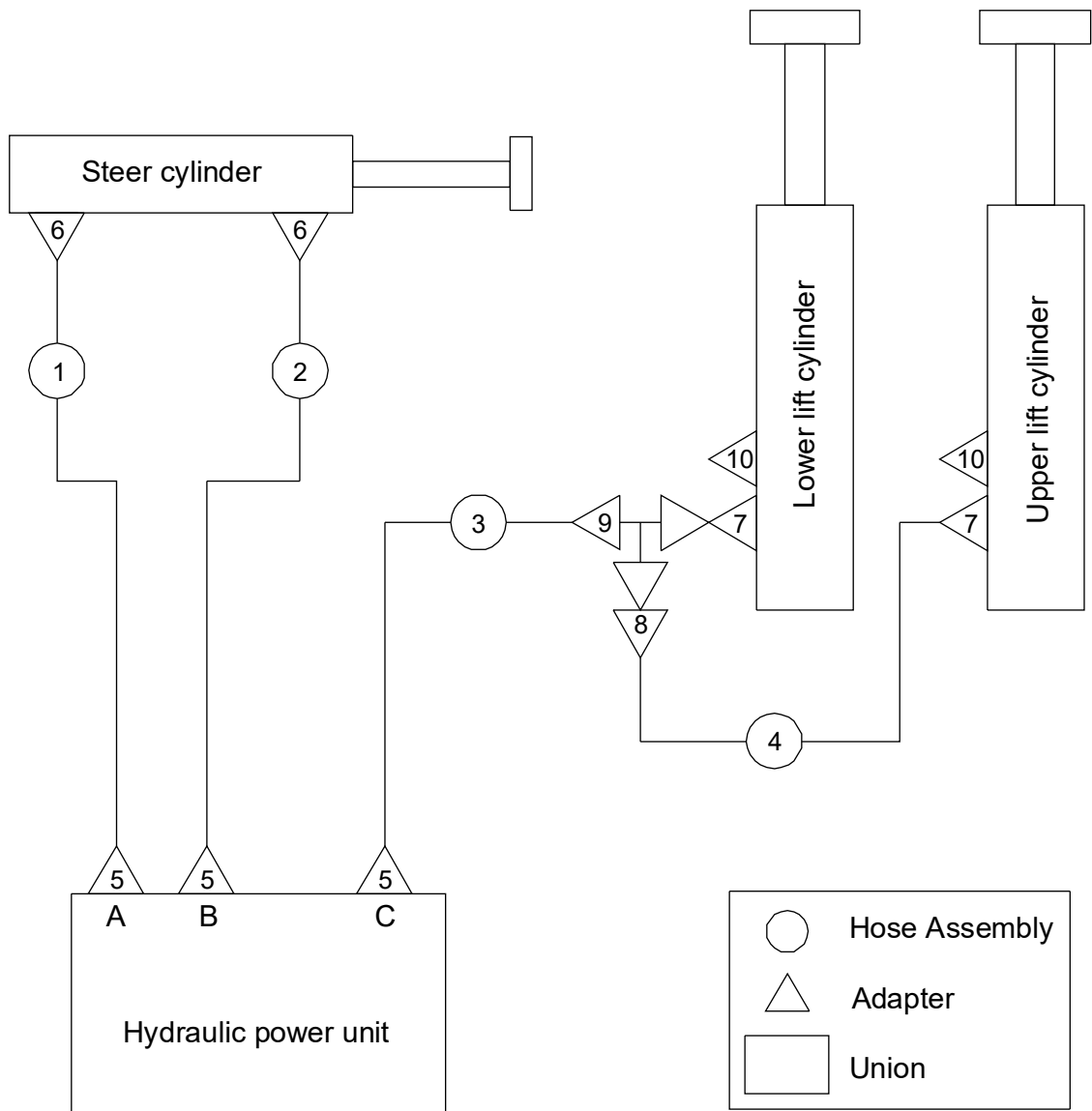
**403.1 Hydraulic Hoses and Fittings (JCPT0608DCH)**



**403.1 Hydraulic Hoses and Fittings (JCPT0608DCH)**

Item	Part No.	Description	Qty.
1	00001318	Straight fitting	3
2	00001290	Straight fitting	2
3	00001292	Straight fitting	1
4	00001073	Plug VST114×1.5ED	1
5	00002472	Hose assembly	1
6	00007207	Hose assembly	1
7	00004582	Hose assembly	1

**403.2 Hydraulic Hoses and Fittings (JCPT0708DCH)**

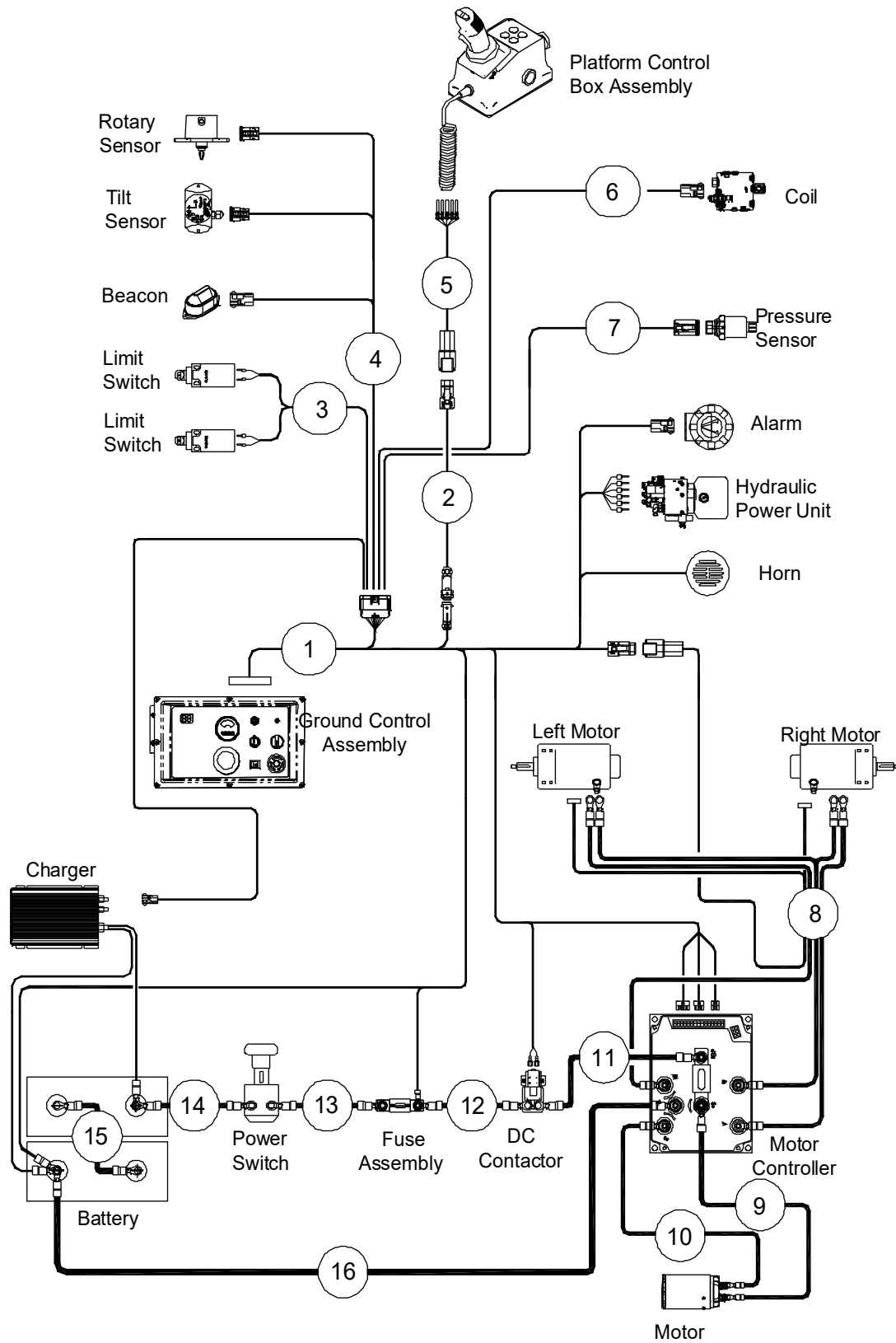


**403.2 Hydraulic Hoses and Fittings (JCPT0708DCH)**

<b>Item</b>	<b>Part No.</b>	<b>Description</b>	<b>Qty.</b>
1	00002472	Hose assembly	1
2	00007207	Hose assembly	1
3	00004582	Hose assembly	1
4	00005053	Hose assembly	1
5	00001318	Straight fitting	3
6	00001290	Straight fitting	2
7	00001292	Straight fitting	2
8	00001833	Elbow	1
9	00001238	Tee fitting	1
10	00001073	Plug VST114×1.5ED	2

# **Section 5 Electrical System**

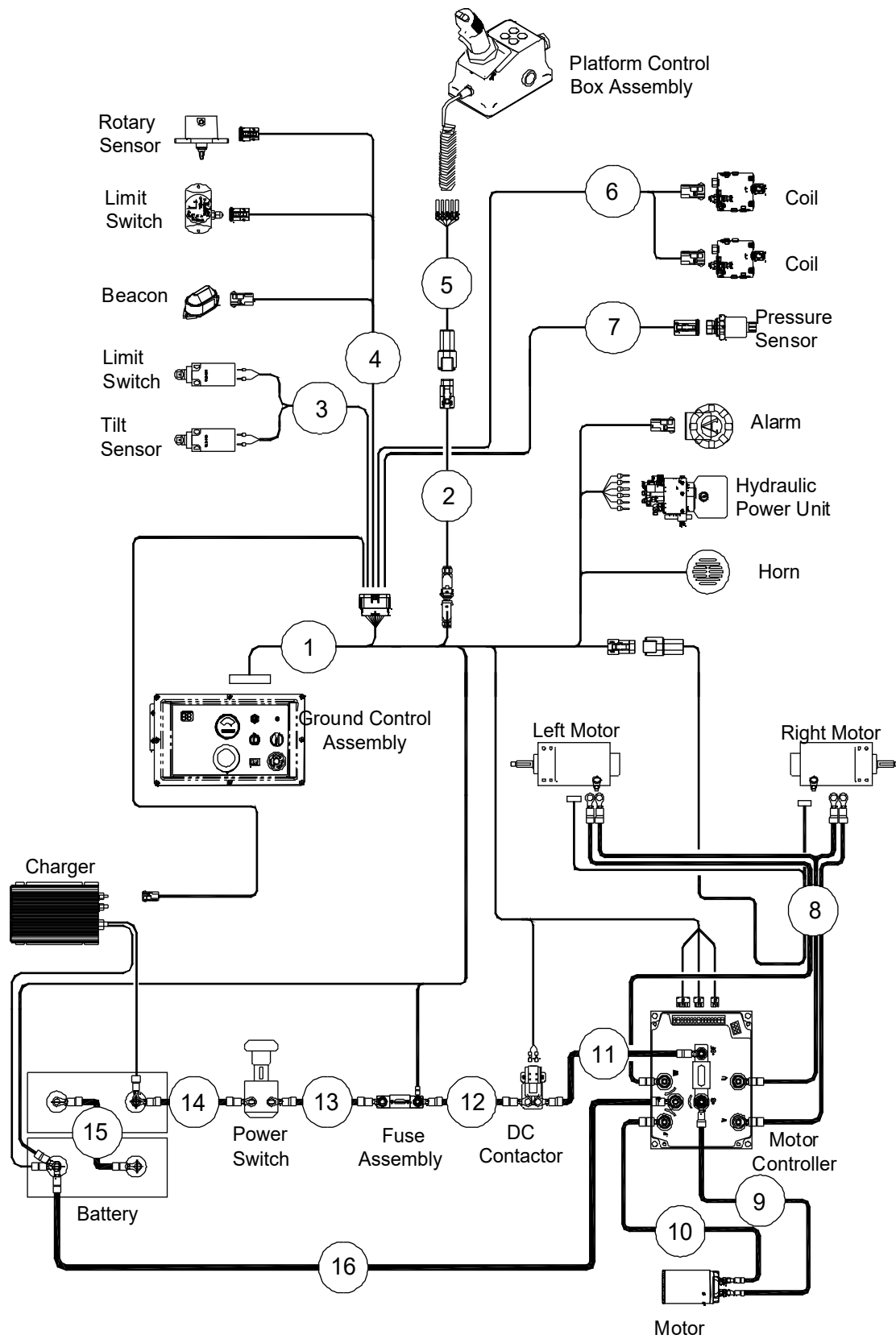
501.1 Electrical Harness (JCPT0608DCH)



**501.1 Electrical Harness (JCPT0608DCH)**

Item	Part No.	Description	Qty.
1	00002951	ECU harness	1
2	00008572	Platform control box patch cord harness	1
3	00006825	Pothole Limit switch harness	1
4	00006928	Sensor harness	1
5	00008697	Platform control box harness	1
6	00008696	Lift Down Valve harness	1
7	00008698	Pressure sensor harness (matching with 00007393 pressure sensor)	1
	00008708	Pressure sensor harness (matching with 00000696 pressure sensor)	1
8	00009071	Drive Motor harness	1
9	00010411	Pump motor positive harness	1
10	00010412	Pump motor negative harness	1
11	00002675	Motor controller harness	1
12	00002956	DC Contactor Harness	1
13	00002957	Fuse Harness	1
14	00010407	Battery positive harness	1
15	00002660	Battery harness	1
16	00002655	Battery negative harness	1

501.2 Electrical Harness (JCPT0708DCH)

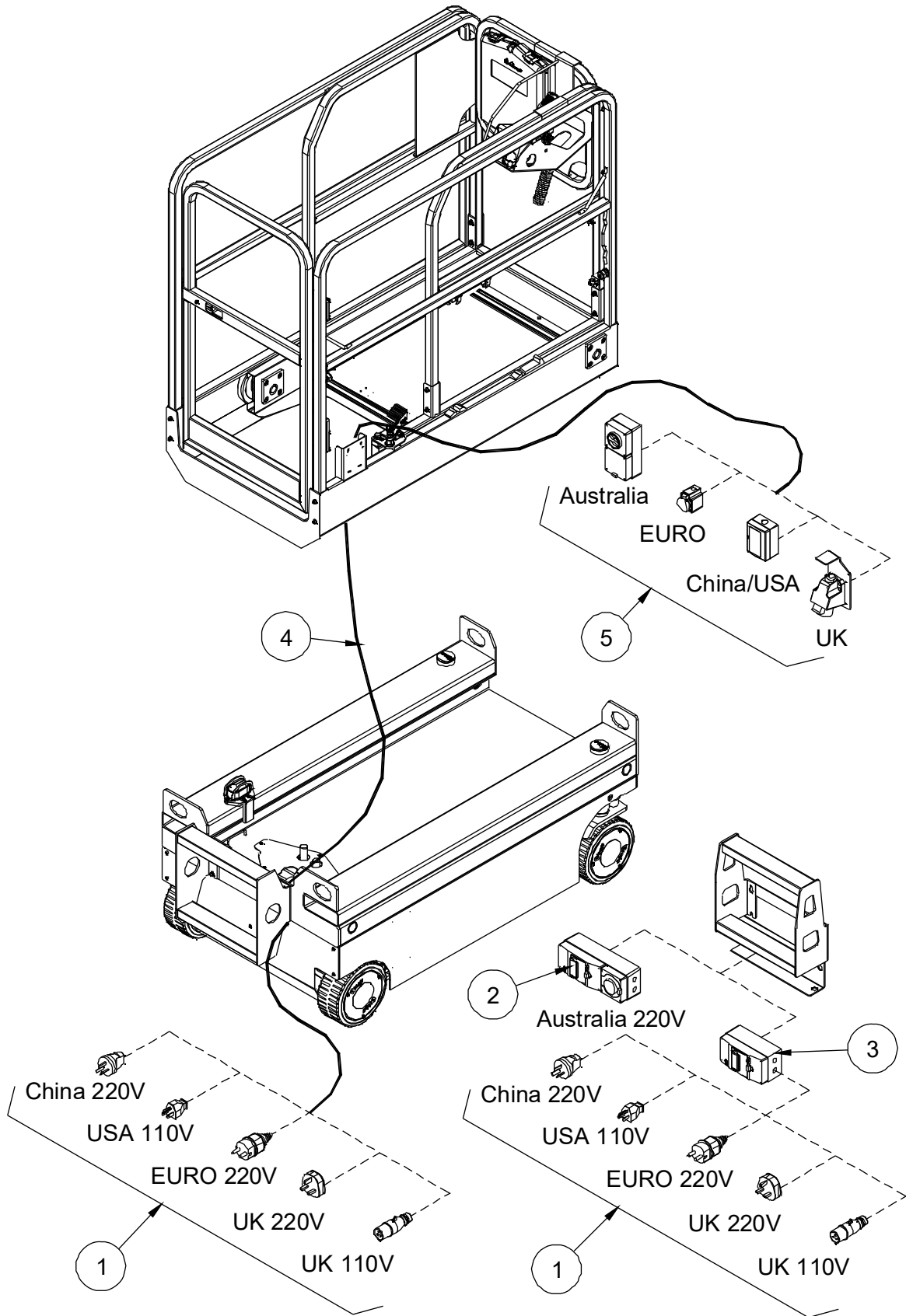




**501.2 Electrical Harness (JCPT0708DCH)**

Item	Part No.	Description	Qty.
1	00002951	ECU harness	1
2	00008572	Platform control box patch cord harness	1
3	00006825	Pothole Limit switch harness	1
4	00006928	Sensor harness	1
5	00008377	Platform control box harness	1
6	00008571	Lowering valve	1
7	00008064	Pressure sensor harness (matching with 00007393 pressure sensor)	1
	00008379	Pressure sensor harness (matching with 00000696 pressure sensor)	1
8	00009071	Drive motor harness	1
9	00010411	Pump motor positive harness	1
10	00010412	Pump motor negative harness	1
11	00002675	Motor controller harness	1
12	00002956	DC contactor harness	1
13	00002957	Fuse harness	1
14	00010407	Battery positive harness	1
15	00002660	Battery harness	1
16	00002655	Battery negative harness	1

### 502.1 Power to Platform

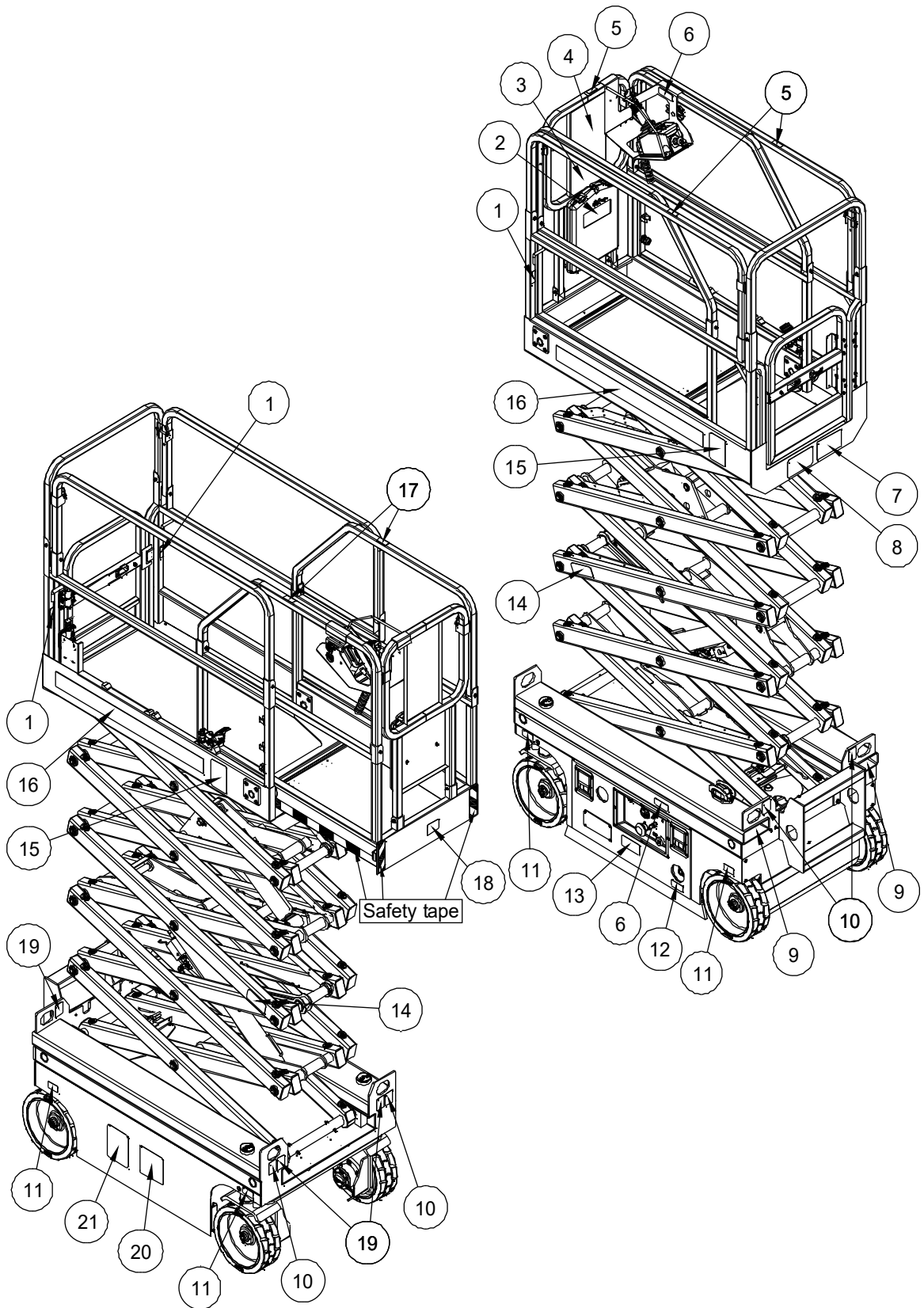


**502.1 Power to Platform**

Item	Part No.	Description	Qty.
1	00003148	AC plug (China 220V)	1
	00003149	AC plug (USA 110V)	1
	00003151	AC plug (European 220V)	1
	00003150	AC plug (UK 220V)	1
	00002615	AC plug (UK 110V)	1
2	00002603	AC plug (Australia 220V)	1
3	00002634	Circuit breaker (Option)	1
4	00003335	Wire cable, platform AC power	1
5	00002617	AC socket (Australia)	1
	00002709	AC socket (European)	1
	00000668	AC socket (China/USA)	1
	00004771	AC socket (UK) (AC socket bracket: 10016048)	1

# Section 6 Decal

601.1 Decals with Words (CE)



**601.1 Decals with Words (CE)**

Item	Part No.	Description	Qty.
1	09440011	Decal, Label-Lanyard anchorage point	3
2	09340001	Decal, Notice-Keep the manual with the machine	1
3	09440003	Decal, Danger-Tip-over hazard, tilt-alarm	1
4	09440001	Decal, Danger-General safety rules	1
5	09340070	Decal, Symbols-Non operating hand position	3
6	09340003	Decal, Instructions-Refer the operator to the instructions for use	2
7	09440014	Decal, Label-Capacity 240kg	1
8	09440005	Decal, Warning-Use indoors only	1
9	09310001	Decal, Instructions-Forklift pockets	2
10	09310003	Decal, Instructions-Tie down point	4
11	09310464	Decal, Instructions-Maximum wheel load 480kg (JCPT0608DCH)	4
	09310031	Decal, Instructions-Maximum wheel load 570kg (JCPT0708DCH)	4
12	09310004	Decal, Instructions-Emergency lower	1
13	09310034	Decal, Notice-Main power switch operation	1
14	09330001	Decal, Instructions-Safety arm	2
15	09440007	Decal, Caution-Max. manual force 400N	2
16	09640259	Decal, Cosmetic-JCPT0608DCH	2
	09640249	Decal, Cosmetic-JCPT0708DCH	2
17	09440212	Decal, Warning-Crushing hazard	2
18	09540001	Decal, Label-CE	1
19	09310002	Decal, Instructions-Lift point	4
20	09410001	Decal, Danger-Explosion/burn hazard	1
21	09410003	Decal, Warning-Inspected and operation properly	1

601.1 Decals with Words (CE)

① 09440011



⑤ 09340070



③ 09440003



⑦ 09440014



⑧ 09440005



⑮ 09440007



⑮ 09640259

**JCPT0608DCH**

⑮ 09640249

**JCPT0708DCH**

② 09340001



⑥ 09340003



⑨ 09310001



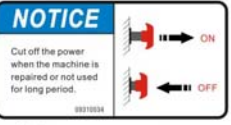
⑩ 09310003




⑫ 09310004



⑬ 09310034



⑰ 09440212



⑱ 09540001



⑳ 09410001



④ 09440001




⑪ 09310464




⑪ 09310031




⑭ 09330001



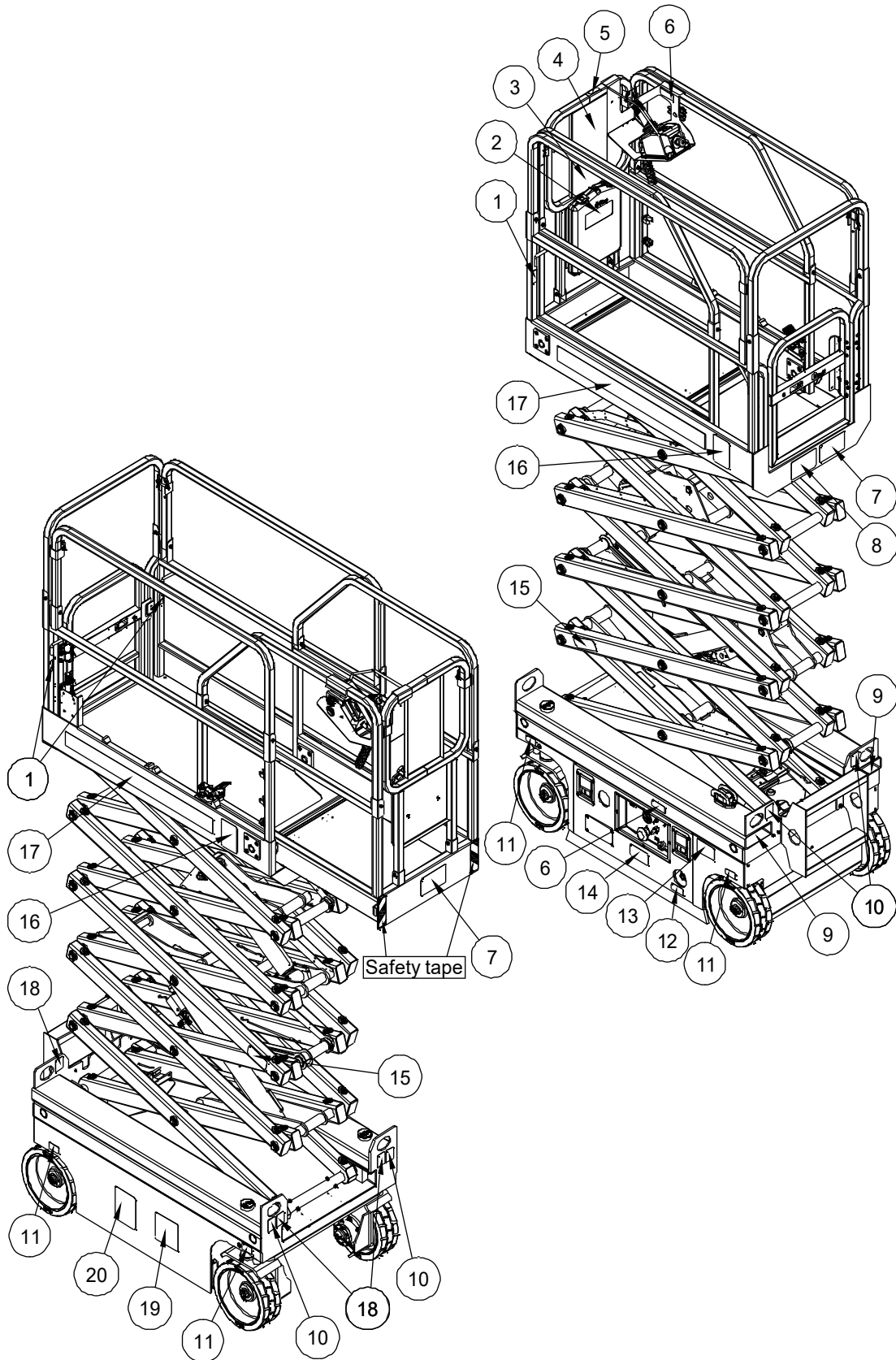
⑲ 09310002



㉑ 09410003



601.2 Decals with Words (ANSI)





**601.2 Decals with Words (ANSI)**

Item	Part No.	Description	Qty.
1	09440011	Decal, Label-Lanyard anchorage point	3
2	09340001	Decal, Notice-Keep the manual with the machine	1
3	09440003	Decal, Danger-Tip-over hazard, tilt-alarm	1
4	09440037	Decal, Danger-General safety rules	1
5	09340005	Decal, Instructions-Platform controller normal position	1
6	09340003	Decal, Instructions-Refer the operator to the instructions for use	2
7	09440335	Decal, Label-Capacity 500 lbs 227kg	2
8	09440005	Decal, Warning-Use indoors only	1
9	09310001	Decal, Instructions-Forklift pockets	2
10	09310003	Decal, Instructions-Tie down point	4
11	09310464	Decal, Instructions-Maximum wheel load 480kg 1056 lbs (JCPT0608DCH)	4
	09310031	Decal, Instructions-Maximum wheel load 570kg 1254 lbs (JCPT0708DCH)	4
12	09310004	Decal, Instructions-Emergency lower	1
13	09410017	Decal, Warning-Change battery	1
14	09310034	Decal, Notice-Main power switch operation	1
15	09330001	Decal, Instructions-Safety arm	2
16	09440301	Decal, Warning-Max. manual force 90 lbs 400N	2
17	09640259	Decal, Cosmetic-JCPT0608DCH	2
	09640249	Decal, Cosmetic-JCPT0708DCH	2
18	09310002	Decal, Instructions-Lift point	4
19	09410001	Decal, Danger-Explosion/burn hazard	1
20	09410003	Decal, Warning-Inspected and operation properly	1

601.2 Decals with Words (ANSI)

① 09440011



② 09340001

**NOTICE**

**KEEP THE OPERATION AND SAFETY MANUAL WITH THE MACHINE**

④ 09440037

**⚠ DANGER**

Failure to read, understand and obey the operator's manual and the following safety rules will result in death or serious injury.

**Improper Use Hazard**

- Avoid hazardous situations.
- Always perform a pre-operation inspection.
- Always perform function tests prior to use.
- Inspect work place.
- Only use the machine as it was intended.
- Do not operate unless you are properly trained to safely operate this machine or you read, understand and obey:
- Manufacturer's instructions and safety rules.
- Operator's manuals and decals.
- Employer's safety rules.
- Applicable governmental regulations.

**Electrocution Hazard**

This machine is not electrically insulated and will not provide protection from contact with or proximity to electrical current.

Voltage	Minimum Safe Approach Distance	Maximum Safe Approach Distance
0 to 300 V	Ascert. Contact	Ascert. Contact
300 V to 500V	10ft	10ft
500 V to 2500V	15ft	15ft
2500 V to 3500V	20ft	20ft
3500 V to 5000V	25ft	25ft
5000 V to 7500V	30ft	30ft
7500 V to 10000V	35ft	35ft

**Tip-over Hazard**

- Do not descend (steep) load capacity.
- Do not raise platform unless machine is on a firm surface.
- Avoid drop-offs, holes and obstacles on slippery surfaces.
- Do not raise platform unless machine is on a level surface.
- Do not drive machine on a slope that exceeds the maximum slope or side rating for the machine.
- Do not drive the machine on or near uneven terrain, unstable surfaces or other hazardous conditions with the platform raised.
- Do not push off or pull toward any object not solid to the platform.
- Do not place or attach any load or equipment to any part of the machine.

**Fall Protection**

• Mandatory requirements that all persons in the platform wear a full body harness with a lanyard attached to an authorized tie-off point and anchorage point while operating this machine.

• ALL PPE must comply with applicable governmental regulations and must be inspected and used in accordance with the manufacturer's instructions.

**Fall Hazard**

• After to operation, ensure all gates and rails are fastened and secured in their proper position.

- Do not sit, stand or climb on the platform guard rails.
- Maintain a firm footing on the platform floor at all times.
- Do not climb down from the platform when raised.

**Crushing Hazard**

- Key bars and links are out of sequence. Use common sense and planning when operating machine with someone from ground.
- Maintain safe distances between operator, machine and fixed objects.

**Collision Hazard**

- Who wears of limited sight distance and blind spots when driving or operating.
- Check work area for overhead obstructions or other possible hazards.
- Who wears of crushing hazard when grasping platform guard rail.

**Damaged Machine Hazard**

- Do not use a damaged or malfunctioning machine.
- Be sure all maintenance has been performed as specified in the appropriate operator's manual.
- Be sure all models are in good condition.
- Be sure safety, operator's manual is complete, legible and in the storage container located on the platform.

③ 09440003

**⚠ DANGER**

**Tip-over Hazard**

If tilt-alarm sounds, unit is on a severe slope. Death or serious injury could occur.



1 Lower the platform.



2 Move the machine to level surface.

⑤ 09340005

Platform controller normal position.

⑥ 09340003

Refer the operator to the instructions for use.

⑦ 09440335

**⚠ DANGER**



500 lbs  
227 kg



250 lbs  
113 kg



250 lbs  
113 kg

0 MPH  
0 m/s

90 lbs  
400 N

⑨ 09310001



⑧ 09440005

**⚠ WARNING**

**Tip-over Hazard**

This machine is intended for **USE INDOORS ONLY**, and must not be used outdoors as wind forces may make it unstable.

MAX. allowed wind speed: 0 m/s.

⑩ 09310003



⑪ 09310464

480 kg  
1056 lbs



⑫ 09310004

**EMERGENCY LOWER**

Pull knob to lower platform

⑪ 09310031

570 kg  
1254 lbs



⑬ 09410017

**⚠ WARNING**

**Tip-over Hazard**

Do not use batteries that weigh less than the original equipment. Batteries are used as counterweight and are critical to machine stability.

Each battery must weigh 72 lbs / 32.7 kg. The batteries must weigh a minimum of 144 lbs / 65.4 kg

⑮ 09330001



⑭ 09310034

**⚠ WARNING**

**Tip-over Hazard**

Do not use batteries that weigh less than the original equipment. Batteries are used as counterweight and are critical to machine stability.

Each battery must weigh 72 lbs / 32.7 kg. The batteries must weigh a minimum of 144 lbs / 65.4 kg

⑱ 09410001

**⚠ DANGER**

**Explosion/Burn Hazard**

Do not operate the machine or charge the batteries in hazardous locations where potentially flammable or explosive gases or particles may be present. Ignition of explosive gases or contact corrosive acid will cause death, burns or blindness.

**Read Manuals**

Read all manuals prior to operation.

**DO NOT OPERATE** equipment if you do not understand the information in the manuals. Consult your supervisor, the owner or the manufacturer.

⑯ 09440301

**⚠ CAUTION**

Max. Manual Force



90 lbs  
400 N

⑰ 09640259

JCPT0608DCH

⑰ 09640249

JCPT0708DCH

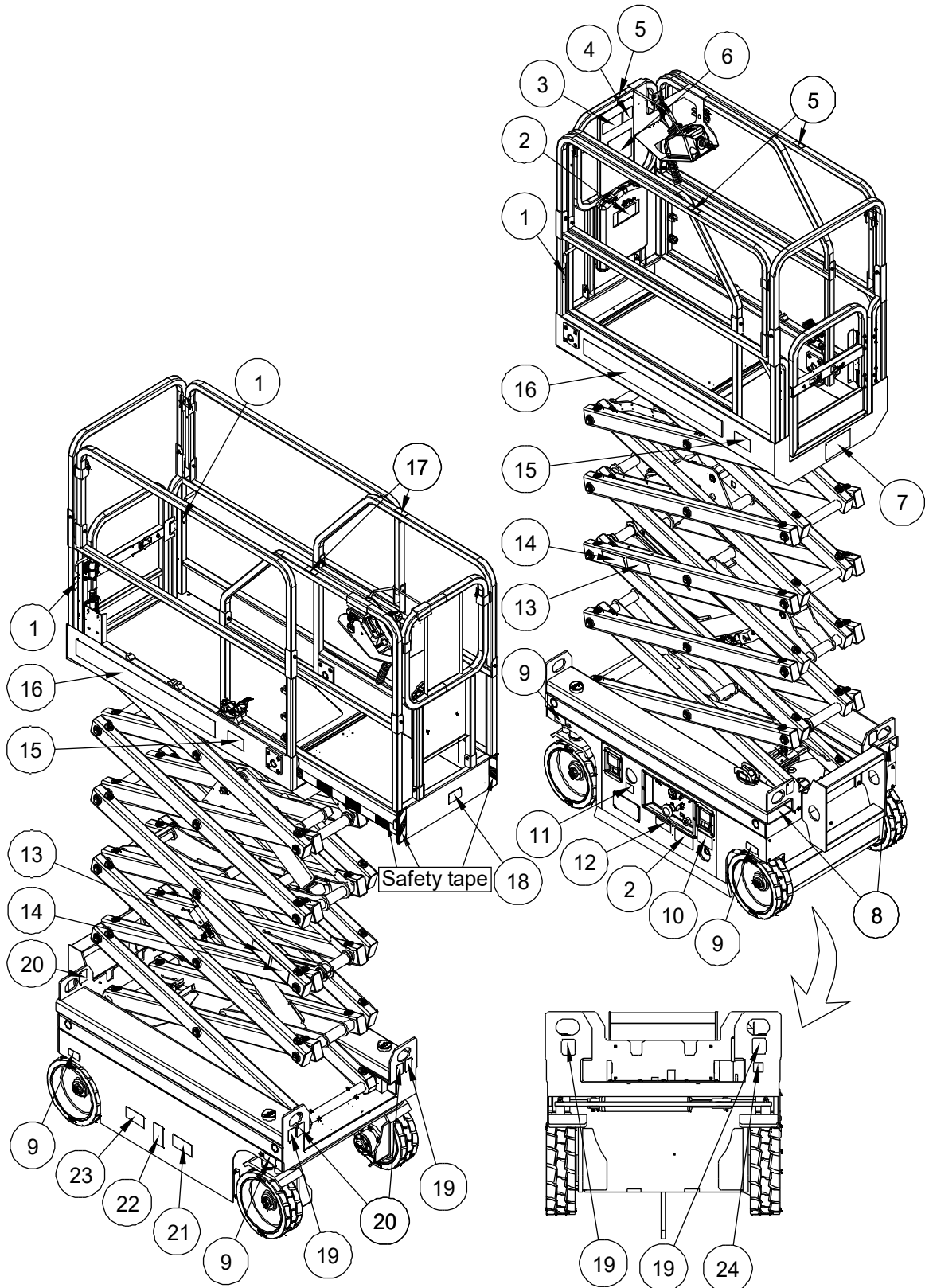
⑳ 09410003

**⚠ WARNING**

THIS MACHINE MUST NOT BE USED UNTIL IT IS INSPECTED AND OPERATING PROPERLY.

1. Do not operate this machine unless you have been properly trained by a qualified person and authorized to operate this machine. Your training includes reading and understanding the safety, operating and maintenance instructions in manufacturer's manuals, knowing your employers work rules and applicable governmental regulations.
2. Follow the instructions in the Operating Manual and applicable standards for daily, frequent, and annual inspections.
3. Do not replace item(s), e.g., batteries, wheels, counterweight, etc.) with items of different weight or specification because this will affect stability of machine.
4. Do not modify or change machine without written approval from manufacturer.
5. Operate this machine with extreme caution. STOP all operation if malfunction occurs.
6. Improper use of this machine could cause death or serious injury.

602.1 Decals with Symbols (CE)



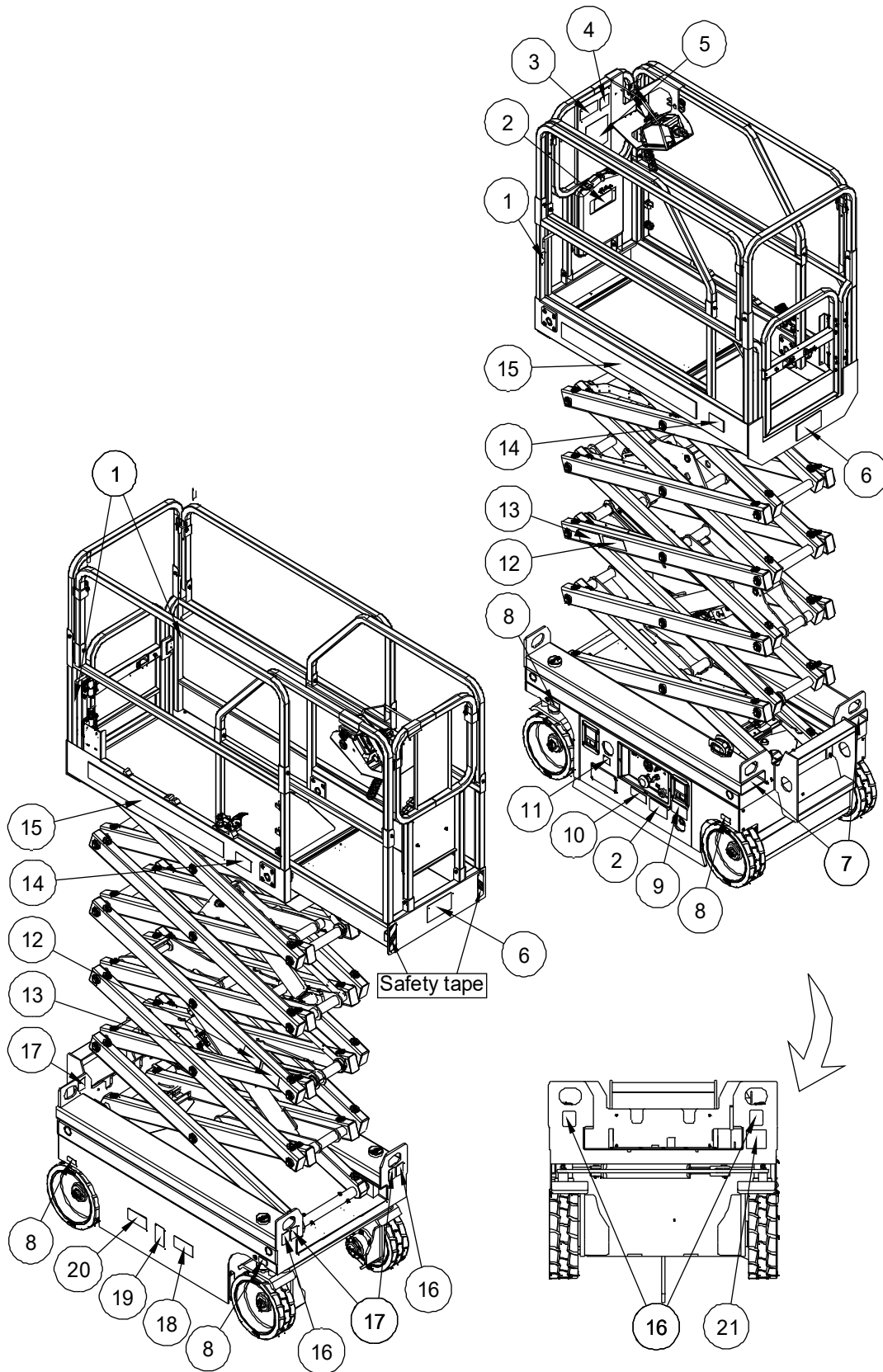
**602.1 Decals with Symbols (CE)**

Item	Part No.	Description	Qty.
1	09440089	Decal, Label-Lanyard anchorage point	3
2	09340026	Decal, Symbols-Refer the operator to the instructions for use	2
3	09440090	Decal, Symbols-Tip-over hazard, tilt-alarm	1
4	09340027	Decal, Instructions-Directional arrows	1
5	09340070	Decal, Symbols-Non operating hand position	3
6	09440091	Decal, Symbols-General safety rules	1
7	09440014	Decal, Label-Capacity 230kg	1
8	09310001	Decal, Instructions-Forklift pockets	2
9	09310464	Decal, Instructions-Maximum wheel load 480kg (JCPT0608DCH)	4
	09310031	Decal, Instructions-Maximum wheel load 570kg (JCPT0608DCH)	4
10	09310096	Decal, Symbols-Emergency lower	1
11	09310100	Decal, Symbols-Battery charging instructions	1
12	09310078	Decal, Symbols-Main power switch operation	1
13	09430009	Decal, Symbols-Keep away from moving parts	2
14	09430008	Decal, Symbols-Safety arm	2
15	09440086	Decal, Symbols-Max. manual force 400N (Indoor)	2
16	09640259	Decal, Cosmetic-JCPT0608DCH	2
	09640249	Decal, Cosmetic-JCPT0708DCH	2
17	09440212	Decal, Warning-Crushing hazard	2
18	09540001	Decal, Label-CE	1
19	09310003	Decal, Instructions-Tie down point	4
20	09310002	Decal, Instructions-Lift point	4
21	09410048	Decal, Symbols-Explosion/burn hazard	1
22	09410050	Decal, Symbols-Injection hazard	1
23	09410049	Decal, Symbols-Electrocution hazard	1
24	09310226	Decal, Symbols-Platform power instructions	1

602.1 Decals with Symbols (CE)

① 09440089 	② 09340026 	③ 09440090 	④ 09340027 
⑥ 09440091 	⑦ 09440014 	⑤ 09340070 	⑪ 09310100 
⑫ 09310078 	⑧ 09310001 	⑨ 09310464 	⑩ 09310096 
⑬ 09430009 	⑭ 09430008 	⑨ 09310031 	⑮ 09440086 
⑯ 09640259 <b>JCPT0608DCH</b>	⑰ 09440212 	⑯ 09640249 <b>JCPT0708DCH</b>	
⑲ 09310003 	⑱ 09540001 	⑳ 09410050 	㉓ 09410049 
㉔ 09310002 	㉑ 09410048 	㉒ 09410050 	㉔ 09310226 



### 602.2 Decals with Symbols (ANSI)



**602.2 Decals with Symbols (ANSI)**

Item	Part No.	Description	Qty.
1	09440089	Decal, Label-Lanyard anchorage point	3
2	09340026	Decal, Symbols-Refer the operator to the instructions for use	2
3	09440090	Decal, Symbols-Tip-over hazard, tilt-alarm	1
4	09340027	Decal, Instructions-Directional arrows	1
5	09440091	Decal, Symbols-General safety rules	1
6	09440335	Decal, Label-Capacity 500 lbs 227kg	2
7	09310001	Decal, Instructions-Forklift pockets	2
8	09310464	Decal, Instructions-Maximum wheel load 480kg 1056 lbs (JCPT0608DCH)	4
	09310031	Decal, Instructions-Maximum wheel load 570kg 1254 lbs (JCPT0708DCH)	4
9	09310096	Decal, Symbols-Emergency lower	1
10	09310528	Decal, Symbols-Battery charging instructions	1
11	09310078	Decal, Symbols-Main power switch operation	1
12	09430009	Decal, Symbols-Keep away from moving parts	2
13	09430008	Decal, Symbols-Safety arm	2
14	09440086	Decal, Symbols-Max. manual force 400N (Indoor)	2
15	09640259	Decal, Cosmetic-JCPT0608DCH	2
	09640249	Decal, Cosmetic-JCPT0708DCH	2
16	09310003	Decal, Instructions-Tie down point	4
17	09310002	Decal, Instructions-Lift point	4
18	09410048	Decal, Symbols-Explosion/burn hazard	1
19	09410050	Decal, Symbols-Injection hazard	1
20	09410049	Decal, Symbols-Electrocution hazard	1
21	09310554	Decal, Symbols-Platform power instructions	1

602.2 Decals with Symbols (ANSI)

<p>① 09440089</p> 	<p>② 09340026</p> 	<p>③ 09440090</p> 	<p>④ 09340027</p> 		
<p>⑤ 09440091</p> 	<p>⑦ 09310001</p> 	<p>⑧ 09310464</p> 	<p>⑧ 09310031</p> 		
<p>⑥ 09440335</p> 	<p>⑪ 09310078</p> 	<p>⑭ 09440086</p> 	<p>⑫ 09430009</p> 	<p>⑬ 09430008</p> 	<p>⑯ 09310003</p> 
<p>⑮ 09640259</p> <p><b>JCPT0608DCH</b></p>	<p>⑮ 09640249</p> <p><b>JCPT0708DCH</b></p>	<p>⑰ 09310002</p> 	<p>⑱ 09410050</p> 		
<p>⑱ 09410048</p> 	<p>⑳ 09410049</p> 	<p>㉑ 09310554</p> 	<p>⑲ 09410050</p> 		





---

## **DINGLI AWP INDIA PRIVATE LIMITED**

Address: Sahney Towers, 81, First Floor, Poonamallee High Road, Nerkundram,

Chennai, Tamil Nadu - 600 107

Telephone: +91-98846 48464

E-mail: [support@dinglisaarc.com](mailto:support@dinglisaarc.com)

Website: [www.dinglisaarc.com](http://www.dinglisaarc.com)

---

**DINGLI**