

SPECIFICATIONS

Size	Metric	British
Max. Working Height A	9.50m	31ft 2in
Max. Platform Height B	7.50m	24ft 7in
Overall Length(Stowed) C	1.56m	5ft 1in
Overall Width(Stowed) D	0.82m	2ft 8in
Overall Height(Stowed) E	1.99m	6ft 6in
Outrigger Footprint(Length F ×Width G)	1.76m/1.66m	5ft 9in/5ft 5in
Platform Size(Length H ×Width I)	1.27m×0.65m	4ft 2in×2ft 2in
Ground Clearance	0.055m	2in
BackSize	0.18m	7in
FrontSize	0.18m	7in

Performance

S.W.L	300kg	661lb
Max. Occupants	2	2
Up/Down Speed	55/38sec	55/38sec

Weight

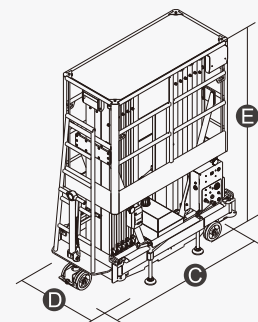
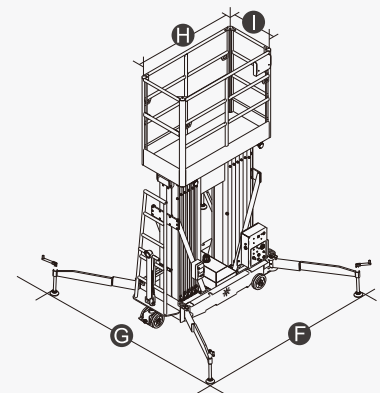
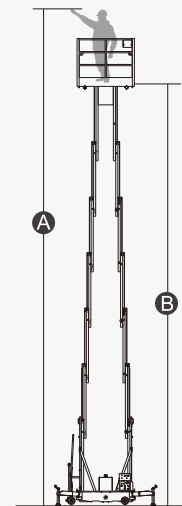
Weight - AC	630kg	1388lb
Weight - DC	690kg	1521lb

Power

Battery	2×12V/85Ah	2×12V/85Ah
Charger	12V/15A	12V/15A
Lifting Motor - AC	220VAC/1.5kW	220VAC/1.5kW
Lifting Motor - DC	12VDC/2.5kW	12VDC/2.5kW



ELECTRIC



FEATURES

Standard Items

- Self-Locking Gates
- Emergency Descent System
- Tubing Explosion-Proof System
- Motion Alarm
- Charging Indicator(DC type)
- Charging Protection System(DC type)
- Flashing Beacon
- Lanyard Attachment Point
- Tie-Down And Lifting Points
- Emergency Stop Button



DINGLI AWP INDIA PRIVATE LIMITED

Address: Sahney Towers, 81, First Floor, Poonamallee High Road, Nerkundram,

Chennai, Tamil Nadu - 600 107

Telephone: +91-98846 48464

E-mail: support@dinglisaarc.com

Website: <https://dinglisaarc.com>

