

DINGLI

Exceed · New Height

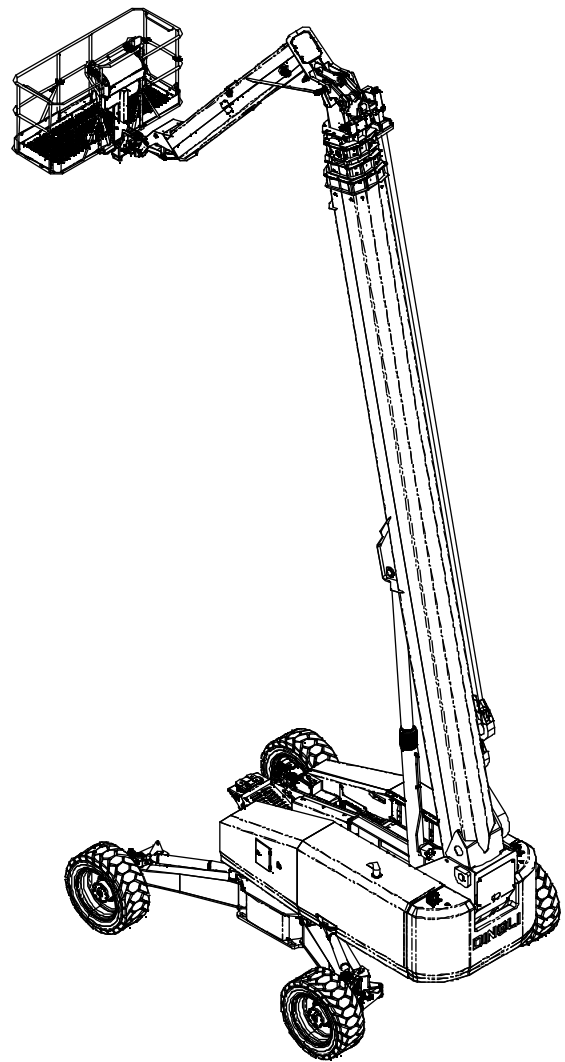
Parts Manual

BT44HRT

BT41HRT

BT36HRT

From SN
BTHT023C00006-



CE

Part Number: SM032320121

Version Number: Rev1.0

August 2023 Printing

DINGLI

Foreword

We are very appreciated for your interesting with Dingli machine and choosing it for your application. Our priority above all is you can use the machine safely for your application and you can benefit from the Dingli machine mostly. For these reason we hope you can:

1. Comply with employer, job site and local governmental rules.
2. Safeguard your commitment to quality by always using genuine Dingli spare parts. Remember, Dingli cannot accept responsibility for the failure of a separator equipped with non-original spare parts. We guarantee the quality and reliability of our products.
3. All sketch maps of parts shown in this manual are for reference only, it is the practical that counts. This manual includes all the latest information up to the date when it was printed. All responsibilities for the revision and explanation of the manual rest with the Dingli. We also preserve the right to edit the technology characteristic and content of the manual.
4. Anyone who read the manual or used the machine, is encouraged to notify Dingli Machinery Co, Ltd of any errors or send in suggestions for improvement. All communications will be carefully considered for future printings of this and other manuals, certainly if you have any question about the machine, please contact with our team by dialing technical support phone, sending email, or any methods you want, etc. Our contact information as bellow:

Please contact with:

DINGLI AWP INDIA PRIVATE LIMITED

Phone: +91-98846 48464

Email: support@dinglisaarc.com

Table of Contents

Section 1 Chassis

1-1	Support Arm Installations (Left Front and Right Rear).....	2
1-2	Tire and Wheel Installations (Left Front and Right Rear).....	5
1-3	Support Arm Accessories Installations (Left Front and Right Rear).....	7
1-4	Support Arm Installations (Right Front and Left Rear).....	9
1-5	Tire and Wheel Installations (Right Front and Left Rear).....	12
1-6	Support Arm Accessories Installations (Right Front and Left Rear).....	14
1-7	Chassis Accessories Installations 1.....	16
1-8	Chassis Accessories Installations 2.....	19
1-9	Steer Manifold.....	21
1-10	Traction Manifold.....	23
1-11	Slewing Ring Installations.....	25
1-12	Chassis Components.....	27

Section 2 Turntable

2-1	Gearmotor Installations.....	30
2-2	Rotary Coupling Installations.....	32
2-3	Fuel Tank Installations.....	34
2-4	Hydraulic Tank Installations.....	36
2-5	Function Manifold Installations.....	38
2-6	Relief Valve.....	40
2-7	Function Manifold.....	42
2-8	Emergency Pump Installations.....	44
2-9	Battery Installations.....	46
2-10	Ground Control Box Installations.....	48
2-11	Limit Switch Installations.....	50
2-12	Hydraulic Cooling System Installations.....	52
2-13	Pump Installations.....	54
2-14	Motor Controller and Charger Installations.....	56
2-15	Radiator Installations.....	58
2-16	Battery Installations.....	60
2-17	Generator Group Installations.....	62
2-18	Cooling System Installations.....	64
2-19	Turntable Accessories Installations 1.....	66
2-20	Counterweight Installations.....	68

2-21	Cover Installations.....	70
2-22	Housing Installations	72
2-23	Grease System Installations	74
2-24	Turntable Hood Installations 1	76
2-25	Turntable Hood Installations 2	78
2-26	Turntable Hood Installations 3	81
2-27	Turntable Hood Installations 4	84

Section 3 Boom

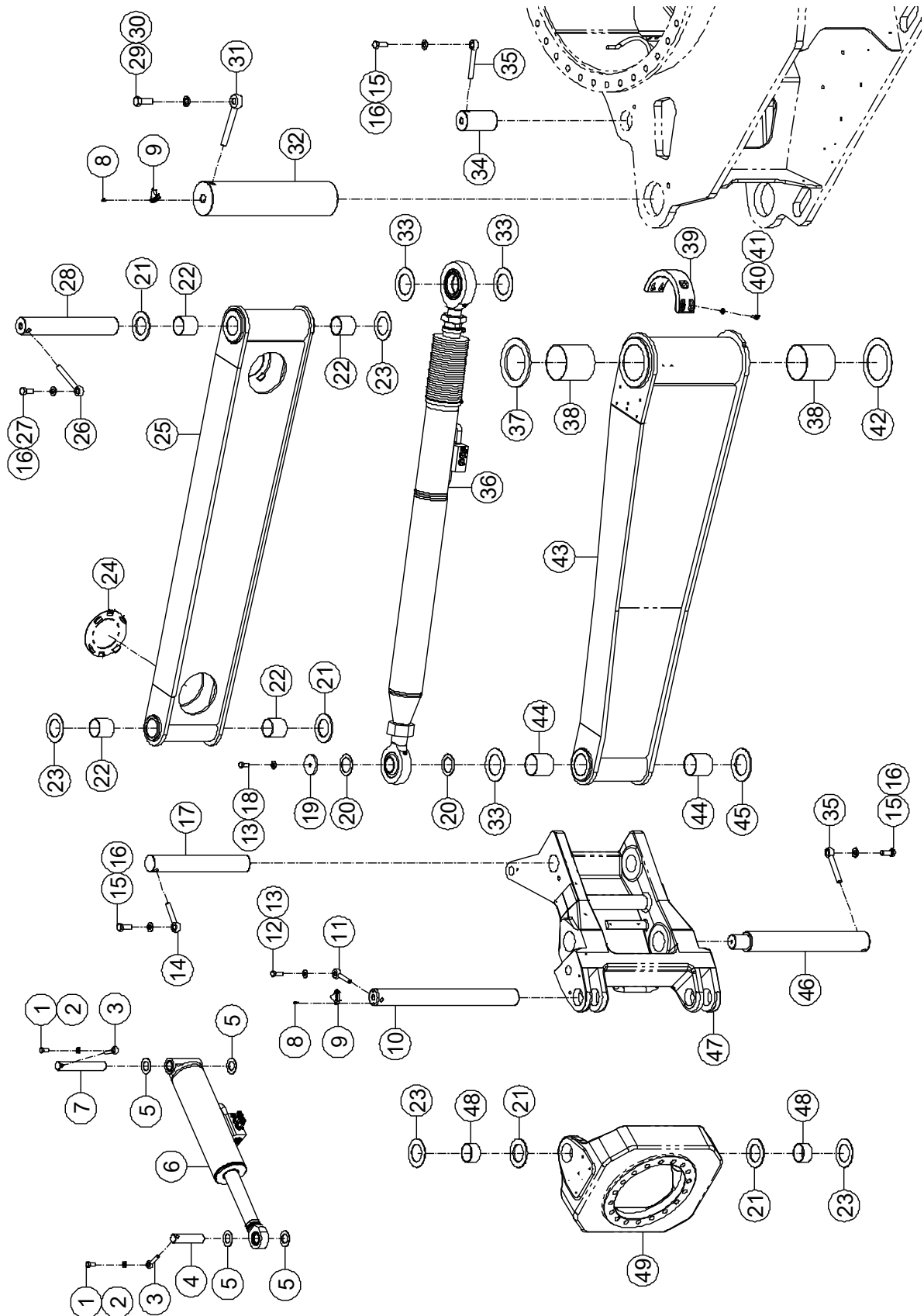
3-1	Lifting Cylinder Assembly and Boom Installations.....	88
3-2	Telescopic Boom.....	90
3-3	Base Boom Sliding Block Installations	92
3-4	Second Boom Sliding Block Installations 1 (BT44HRT, BT41HRT)	95
3-5	Second Boom Sliding Block Installations 1 (BT36HRT)	98
3-6	Second Boom Sliding Block Installations 2.....	100
3-7	Third Boom Sliding Block Installations 1 (BT44HRT, BT41HRT)	103
3-8	Third Boom Sliding Block Installations 2 (BT44HRT, BT41HRT)	106
3-9	Third Boom Sliding Block Installations (BT36HRT)	109
3-10	Fourth Boom Sliding Block Installations (BT44HRT, BT41HRT).....	111
3-11	Boom Shield Installations (BT44HRT, BT41HRT).....	113
3-12	Boom Shield Installations (BT36HRT)	115
3-13	Telescopic Cylinder Assembly Installations.....	117
3-14	Telescopic Cylinder Assembly Accessories Installations 1	119
3-15	Telescopic Cylinder Assembly Accessories Installations 2	121
3-16	Third Boom cable Installations.....	123
3-17	Fourth Boom cable Installations (BT44HRT, BT41HRT).....	125
3-18	Carrier System Installations (BT44HRT, BT41HRT).....	127
3-19	Carrier System Installations (BT36HRT).....	130
3-20	Carrier System Accessories Installations (BT44HRT, BT41HRT)	132
3-21	Carrier System Accessories Installations (BT36HRT)	134
3-22	Roller Assembly Installations 1	136
3-23	Roller Assembly Installations 2 (BT44HRT, BT41HRT)	138
3-24	Telescopic Boom and Junction Installations.....	140
3-25	Junction Sliding Block Installations	142
3-26	JIB Lifting Cylinder Assembly Installations	144
3-27	Junction and Linkage Installations	146
3-28	Junction and JIB Installations	148
3-29	JIB Accessories Installations	150

3-30	Valve Block	152
3-31	Leveling Cylinder Assembly Installations	154
3-32	Jib and Linkage Installations	156
3-33	Rotate Cylinder Assembly Installations	158
Section 4 Platform		
4-1	Rotate Cylinder Assembly And Support Installations.....	161
4-2	Support Installations.....	163
4-3	Platform Installations	165
4-4	Platform Assembly	167
4-5	Gate Assembly	169
4-6	Lift Guard Contact Alarm	171
Section 5 Cylinder		
5-1	Steer Cylinder Assembly	174
5-2	Axle Extend Cylinder Assembly	176
5-3	Lifting Cylinder Assembly	178
5-4	Telescopic Cylinder Assembly	180
5-5	Leveling Cylinder Assembly.....	182
5-6	JIB Lifting Cylinder Assembly	184
Section 6 Hydraulic System		
6-1	Chassis Circuit 1	187
6-2	Chassis Circuit 2.....	190
6-3	Turntable Circuit 1	192
6-4	Turntable Circuit 2.....	196
6-5	Telescopic Boom Circuit.....	199
6-6	JIB Circuit	202
Section 7 Electrical System		
7-1	Electrical Harness	205
7-2	Fuse Holder Assembly	211
7-3	Power Distribution Module.....	213
7-4	Ground Control Box Assembly	215
7-5	Platform Control Box Assembly	218
Section 8 Decals		
8-1	Decals Installations	222
Section 9 Special Options		
9-1	Platform Accessories 1.....	229
9-2	Platform Accessories 2.....	231

9-3 Anti-collision Device Installations.....233

Section 1 Chassis

1-1 Support Arm Installations (Left Front and Right Rear)



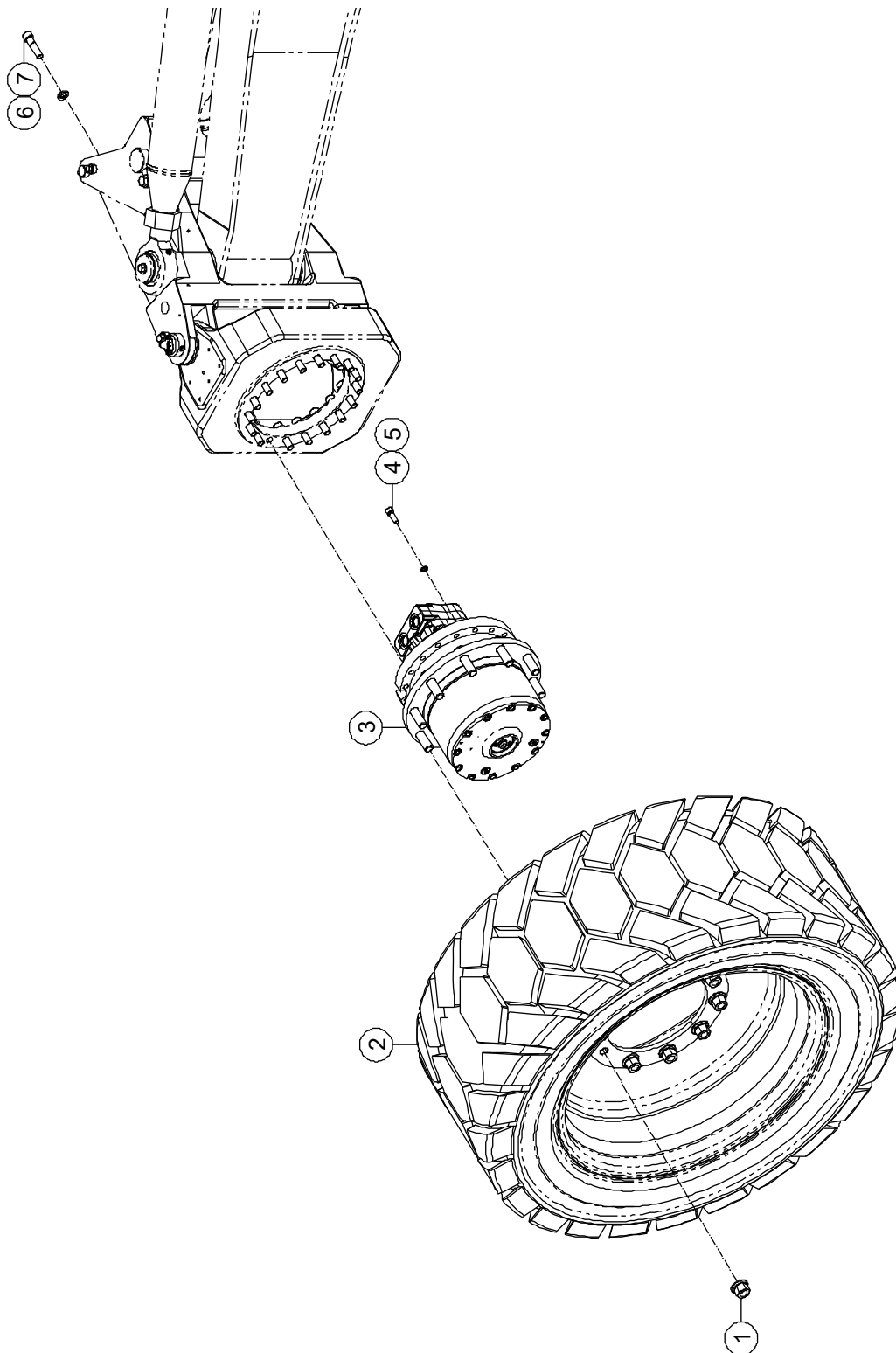
1-1 Support Arm Installations (Left Front and Right Rear)

Item	Part Number	Description	Qty.	Remark
1	00000678	Bolt GB/T 5783 M10 × 25	4	
2	93000016	Spring Washer Φ10.2	4	
3	00000219	8902-10060 Pin,Lock	4	
4	93301095	Pin	2	
5	93000595	Washer, Thrust	8	
6		Steer Cylinder Assembly (<i>Refer to 5-1</i>)	2	
7	93301082	Pin	2	
8	00001054	Screw GB/T 70 M4 × 12	8	
9	93300021	Angle Sensor	4	
10	93000160	Pin	2	
11	00002464	8902-12085 Pin,Lock	2	
12	00002046	Bolt GB/T 5783 M12 × 35	2	
13	93000017	Spring Washer Φ12.4	4	
14	00000222	8902-16095 Pin,Lock	2	
15	00001161	Bolt GB/T 5783 M16 × 40	6	
16	93305316	Spring Washer Φ16.4	8	
17	93301090	Pin	2	
18	00000816	Bolt GB/T 5783 M12 × 25	2	
19	93300431	Cover	2	
20	93000596	Washer, Thrust	4	
21	93000600	Washer, Thrust	8	
22	93300423	8813-606560 Sleeve Bearing	8	
23	93000597	Washer, Thrust	8	
24	93000391	Cover	4	
25	93200546	Parallel Guider	2	
26	00000224	8902-16150 Pin,Lock	2	
27	00009115	Bolt GB/T 5783 M16 × 35	2	
28	93301070	Pin	2	
29	00002734	Bolt GB/T 5783 M20 × 55	2	

1-1 Support Arm Installations (Left Front and Right Rear) (Continued)

Item	Part Number	Description	Qty.	Remark
30	00001103	Flat Washer 20 JB/ZQ 4080-2006	2	
31	00010830	8902-20170 Pin,Lock	2	
32	93301085	Pin	2	
33	93000598	Washer, Thrust	6	
34	93301069	Pin	2	
35	00000223	8902-16120 Pin,Lock	4	
36		Axle Extend Cylinder Assembly (<i>Refer to 5-2</i>)	2	
37	93000602	Washer, Thrust	2	
38	93300223	8813-120125120 Sleeve Bearing	4	
39	93000450	Support	2	
40	00002555	Screw GB/T 70 M8 × 25	8	
41	93000015	Spring Washer Φ8.2	8	
42	93000599	Washer, Thrust	2	
43	93200553	Support Arm	2	
44	93300224	8813-707570 Sleeve Bearing	4	
45	93000601	Washer, Thrust	2	
46	93301091	Pin	2	
47	93200542	Axle Pivot	2	
48	93300424	8813-606535 Sleeve Bearing	4	
49	93000605	Knuckle	2	

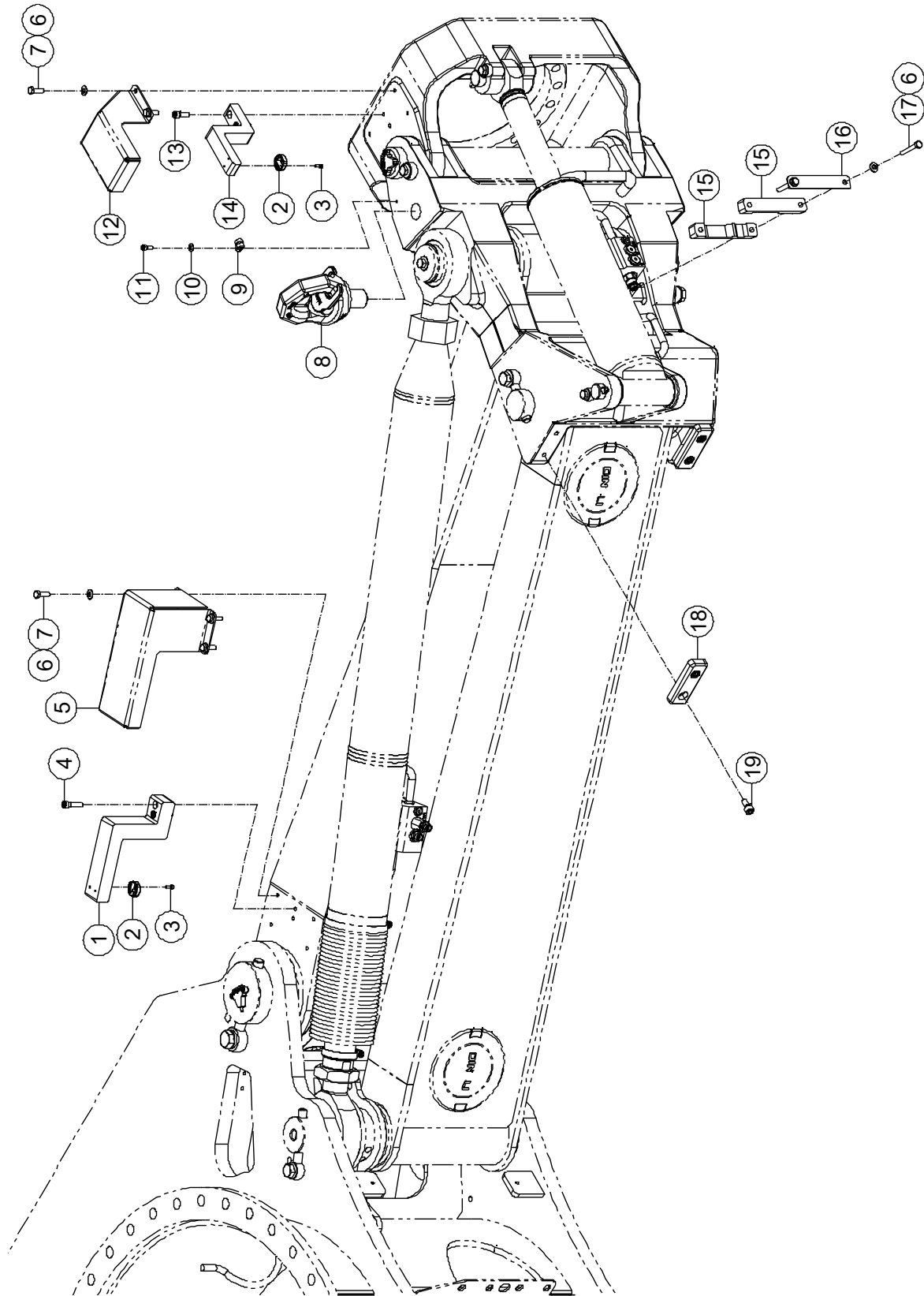
1-2 Tire and Wheel Installations (Left Front and Right Rear)



1-2 Tire and Wheel Installations (Left Front and Right Rear)

Item	Part Number	Description	Qty.	Remark
1	00002650	Nut M22×1.5	20	
2	93300174	Tire and Wheel Assembly (Left Side)	2	
3	93200207	Brake and Motor Assembly	2	
--	93000389	Motor	1	
--	93000390	Brake	1	
4	00006425	Screw GB/T 70 M12 × 35	4	
5	93305787	Spring Washer Φ12.4	4	
6	00001102	Flat Washer 16 JB/ZQ 4080-2006	36	
7	00006808	Screw GB/T 70 M16 × 65	36	

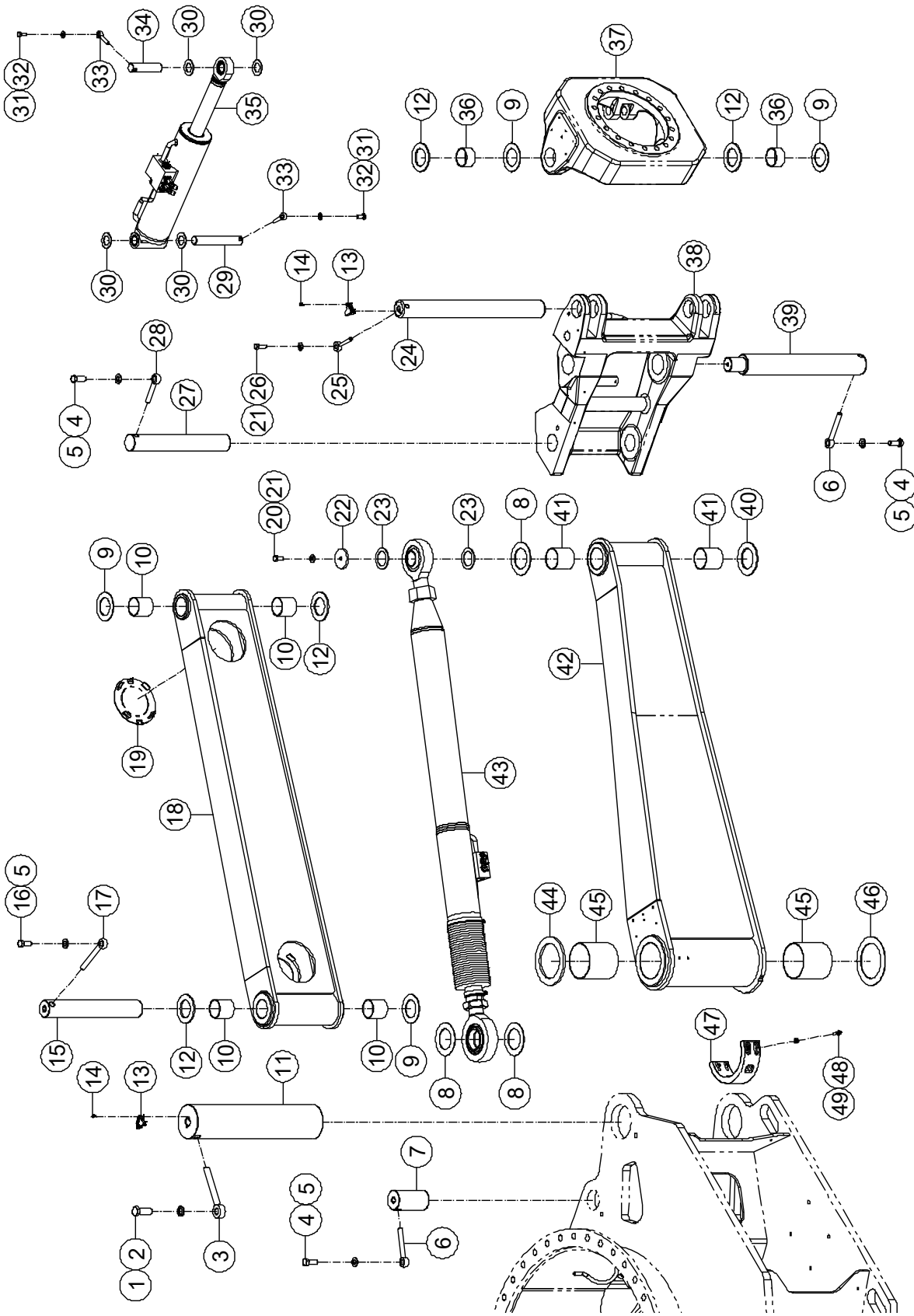
1-3 Support Arm Accessories Installations (Left Front and Right Rear)



1-3 Support Arm Accessories Installations (Left Front and Right Rear)

Item	Part Number	Description	Qty.	Remark
1	93301086	Bracket	2	
2	93300156	Angle Sensor Actuator	4	
3	00001054	Screw GB/T 70 M4 × 12	8	
4	00002062	Screw GB/T 70 M8 × 35	4	
5	93301088	Housing	2	
6	93000015	Spring Washer Φ8.2	20	
7	00000993	Bolt GB/T 5783 M8 × 25	16	
8	93300041	Eyebolt	2	
9	93000291	Clamp	8	
10	93000014	Spring Washer Φ6.1	8	
11	00000876	Screw GB/T 70 M6 × 16	8	
12	93300339	Housing	2	
13	00002555	Screw GB/T 70 M8 × 25	4	
14	93300426	Bracket	2	
15	93000152	Clamp	4	
16	93000153	Plate	2	
17	00002507	Bolt GB/T 5783 M8 × 55	4	
18	93300432	Spacer	4	
19	00002249	Screw GB/T 70 M10 × 20	8	

1-4 Support Arm Installations (Right Front and Left Rear)



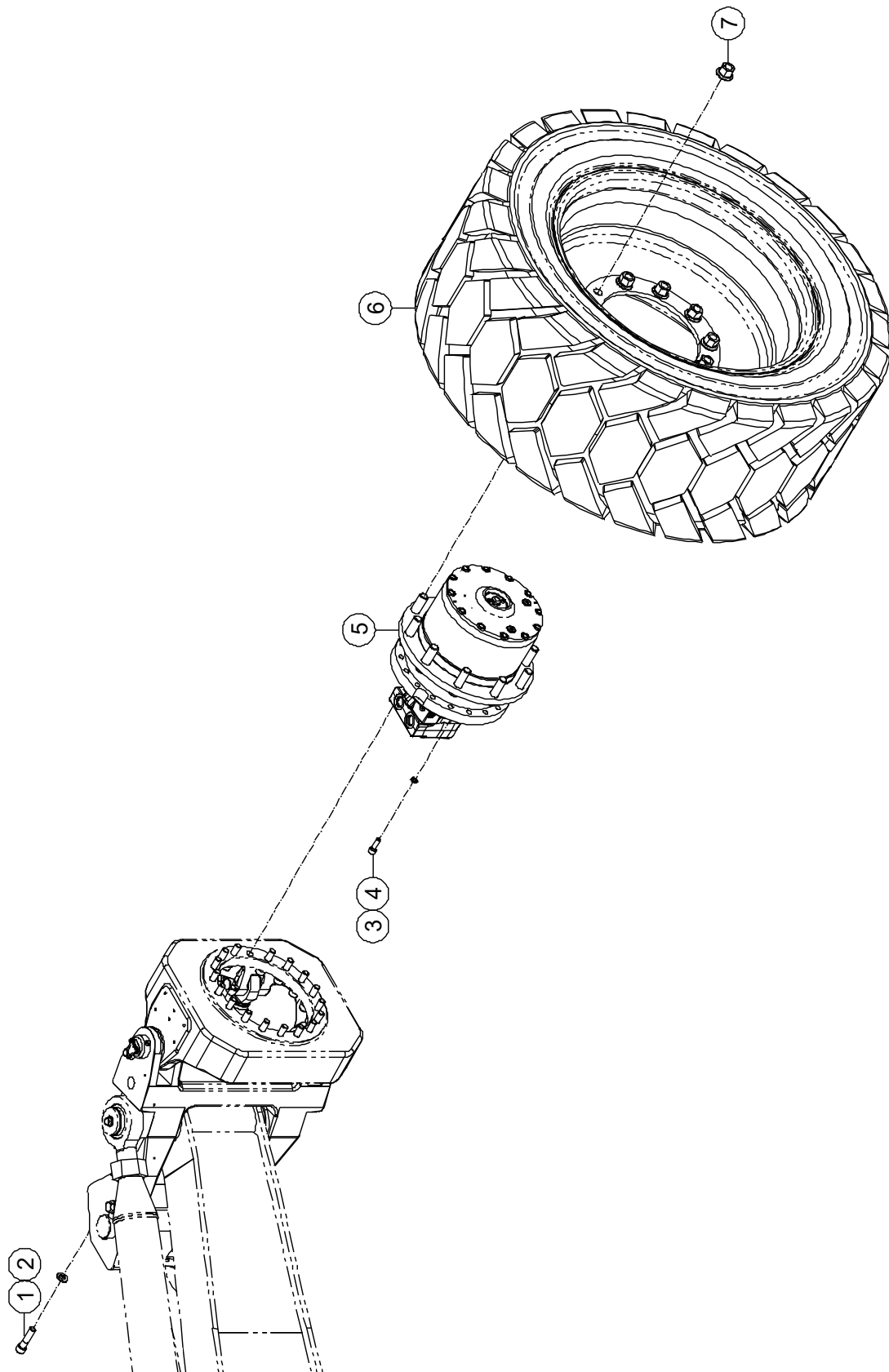
1-4 Support Arm Installations (Right Front and Left Rear)

Item	Part Number	Description	Qty.	Remark
1	00001103	Flat Washer 20 JB/ZQ 4080-2006	2	
2	00002734	Bolt GB/T 5783 M20 × 55	2	
3	00010830	8902-20170 Pin, Lock	2	
4	00001161	Bolt GB/T 5783 M16 × 40	6	
5	93305316	Spring Washer Φ16.4	8	
6	00000223	8902-16120 Pin, Lock	4	
7	93301069	Pin	2	
8	93000598	Washer, Thrust	6	
9	93000597	Washer, Thrust	8	
10	93300423	8813-606560 Sleeve Bearing	8	
11	93301085	Pin	2	
12	93000600	Washer, Thrust	8	
13	93300021	Angle Sensor	4	
14	00001054	Screw GB/T 70 M4 × 12	8	
15	93301070	Pin	2	
16	00009115	Bolt GB/T 5783 M16 × 35	2	
17	00000224	8902-16150 Pin, Lock	2	
18	93200546	Parallel Guider	2	
19	93000391	Cover	4	
20	00000816	Bolt GB/T 5783 M12 × 25	2	
21	93000017	Spring Washer Φ12.4	4	
22	93300431	Cover	2	
23	93000596	Washer, Thrust	4	
24	93000160	Pin	2	
25	00002464	8902-12085 Pin, Lock	2	
26	00002046	Bolt GB/T 5783 M12 × 35	2	
27	93301090	Pin	2	
28	00000222	8902-16095 Pin, Lock	2	
29	93301082	Pin	2	

1-4 Support Arm Installations (Right Front and Left Rear) (Continued)

Item	Part Number	Description	Qty.	Remark
30	93000595	Washer, Thrust	8	
31	93000016	Spring Washer $\Phi 10.2$	4	
32	00000678	Bolt GB/T 5783 M10 \times 25	4	
33	00000219	8902-10060 Pin, Lock	4	
34	93301095	Pin	2	
35		Steer Cylinder Assembly (<i>Refer to 5-1</i>)	2	
36	93300424	8813-606535 Sleeve Bearing	4	
37	93000603	Knuckle	2	
38	93200541	Axle Pivot	2	
39	93301091	Pin	2	
40	93000601	Washer, Thrust	2	
41	93300224	8813-707570 Sleeve Bearing	4	
42	93200553	Support Arm	2	
43		Axle Extend Cylinder Assembly (<i>Refer to 5-2</i>)	2	
44	93000602	Washer, Thrust	2	
45	93300223	8813-120125120 Sleeve Bearing	4	
46	93000599	Washer, Thrust	2	
47	93000450	Support	2	
48	00002555	Screw GB/T 70 M8 \times 25	8	
49	93000015	Spring Washer $\Phi 8.2$	8	

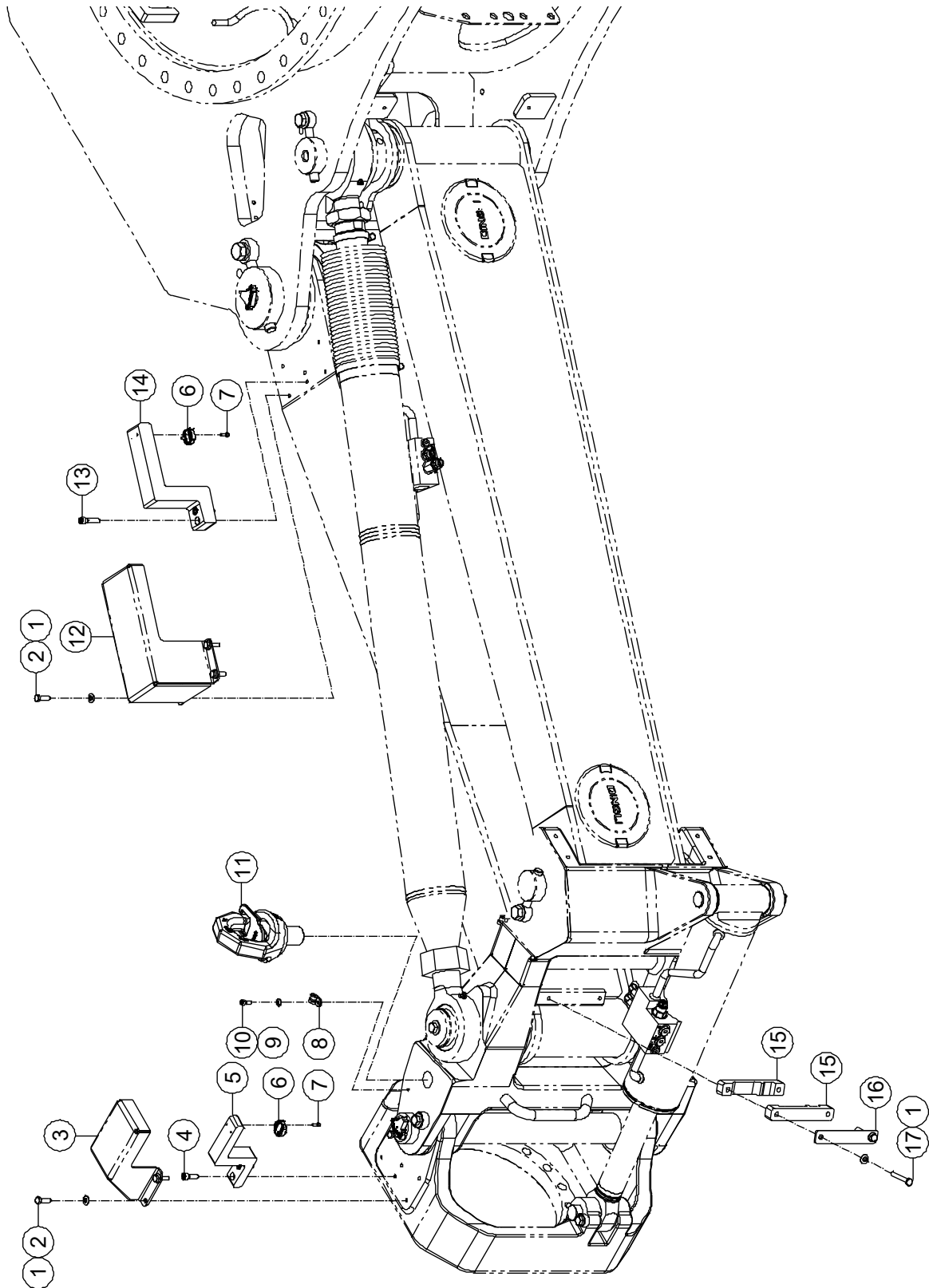
1-5 Tire and Wheel Installations (Right Front and Left Rear)



1-5 Tire and Wheel Installations (Right Front and Left Rear)

Item	Part Number	Description	Qty.	Remark
1	00006808	Screw GB/T 70 M16 × 65	36	
2	00001102	Flat Washer 16 JB/ZQ 4080-2006	36	
3	93305787	Spring Washer Φ12.4	4	
4	00006425	Screw GB/T 70 M12 × 35	4	
5	93200207	Brake and Motor Assembly	2	
--	93000389	Motor	1	
--	93000390	Brake	1	
6	93300175	Tire and Wheel Assembly (Right Side)	2	
7	00002650	Nut M22×1.5	20	

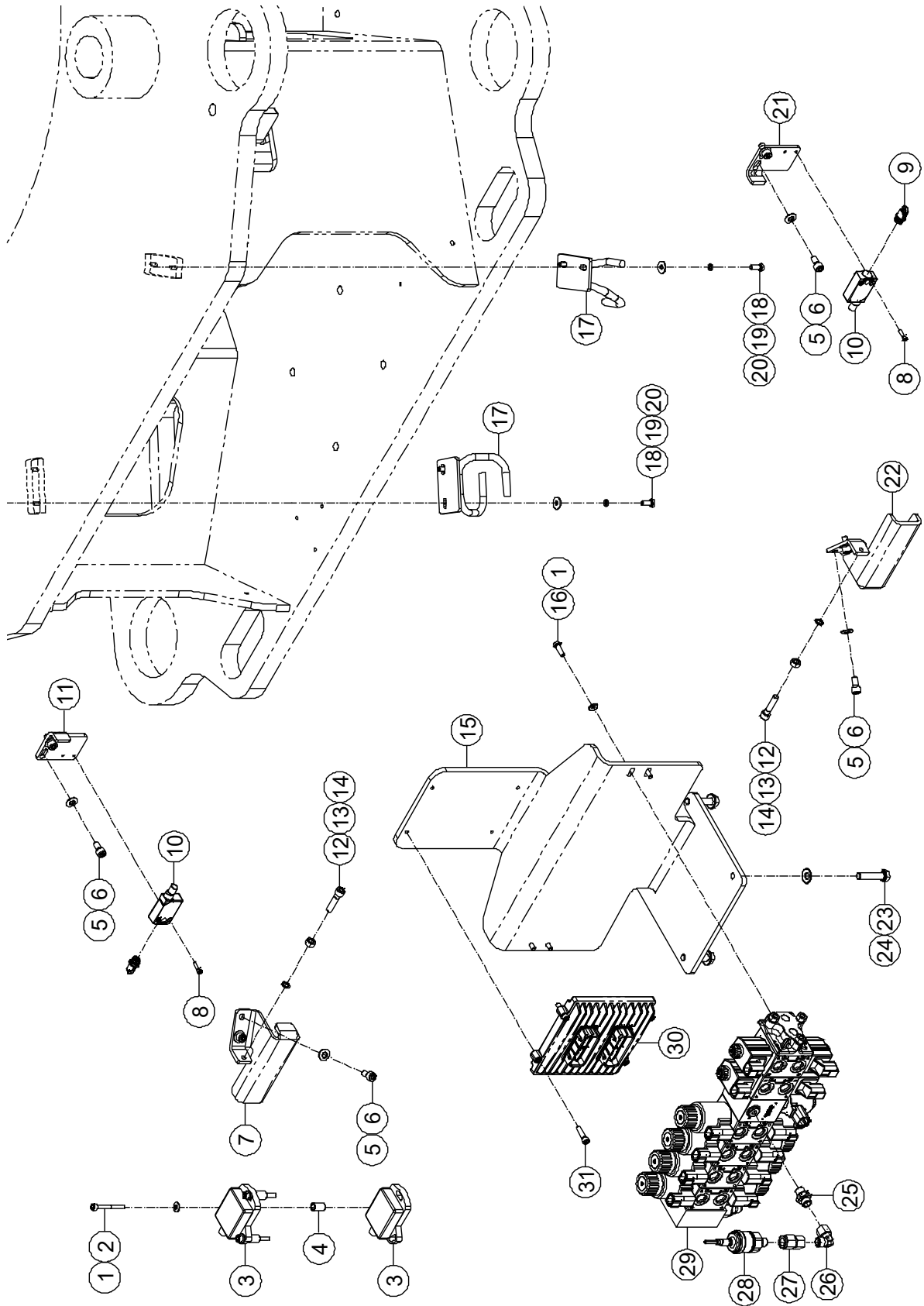
1-6 Support Arm Accessories Installations (Right Front and Left Rear)



1-6 Support Arm Accessories Installations (Right Front and Left Rear)

Item	Part Number	Description	Qty.	Remark
1	93000015	Spring Washer $\Phi 8.2$	20	
2	00000993	Bolt GB/T 5783 M8 \times 25	16	
3	93300339	Housing	2	
4	00002555	Screw GB/T 70 M8 \times 25	4	
5	93300426	Bracket	2	
6	93300156	Angle Sensor Actuator	4	
7	00001054	Screw GB/T 70 M4 \times 12	8	
8	93000291	Clamp	8	
9	93000014	Spring Washer $\Phi 6.1$	8	
10	00000876	Screw GB/T 70 M6 \times 16	8	
11	93300041	Eyebolt	2	
12	93301088	Housing	2	
13	00002062	Screw GB/T 70 M8 \times 35	4	
14	93301086	Bracket	2	
15	93000152	Clamp	4	
16	93000153	Plate	2	
17	00002507	Bolt GB/T 5783 M8 \times 55	4	

1-7 Chassis Accessories Installations 1



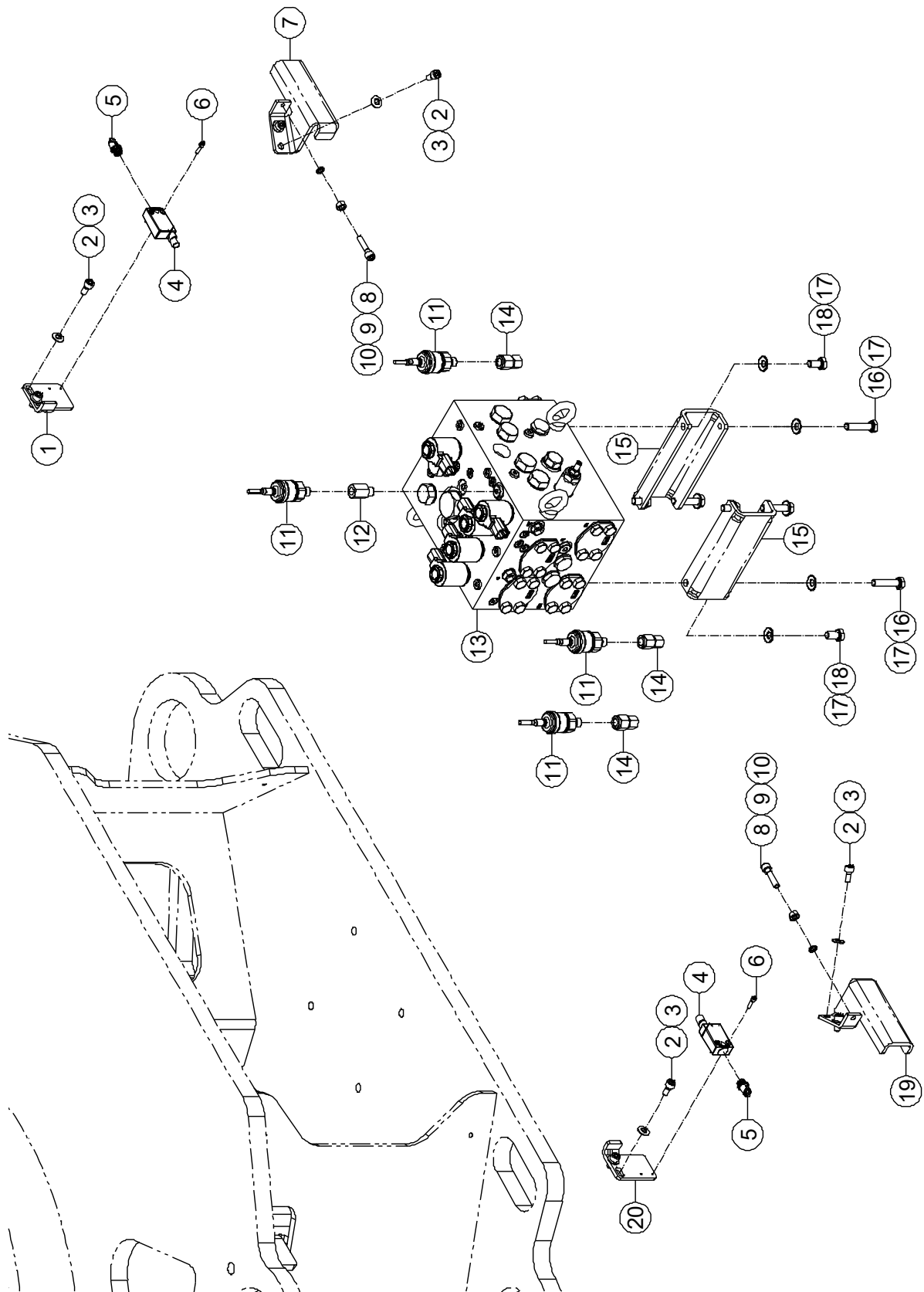
1-7 Chassis Accessories Installations 1

Item	Part Number	Description	Qty.	Remark
1	93000014	Spring Washer $\Phi 6.1$	7	
2	00005201	Screw GB/T 70 M6 \times 50	3	
3	00002610	Tilt Sensor	2	
4	93300913	Spacer	3	
5	93000015	Spring Washer $\Phi 8.2$	8	
6	00002051	Screw GB/T 70 M8 \times 16	8	
7	93301087	Housing	1	
8	00000604	Screw GB/T 70.1 M4 \times 16	4	
9	93300032	Limit Switch Actuator	2	
10	93300007	Limit Switch	2	
11	93300343	Bracket, Limit Switch	1	
12	00002062	Screw GB/T 70 M8 \times 35	2	
13	00000610	Nut GB/T 6170 M8	2	
14	93305785	Spring Washer $\Phi 8.2$	2	
15	93300344	Bracket	1	
16	00000743	Bolt GB/T 5783 M6 \times 20	4	
17	92049063	Support Tubes	2	
18	00000818	Bolt GB/T 5783 M6 \times 16	4	
19	00000621	Spring Washer GB/T 93 6	4	
20	00002583	Flat Washer GB/T 96.1 6	4	
21	93300347	Bracket, Limit Switch	1	
22	93301089	Housing	1	
23	00002411	Bolt GB/T 5783 M10 \times 45	4	
24	93000016	Spring Washer $\Phi 10.2$	4	
25	00001316	Fitting, Straight	1	
26	00001832	Fitting, 90°	1	
27	00006016	Fitting, Straight	1	
28	93300854	Pressure Sensor	1	
29	93200038	Steer Manifold (Refer to 1-9)	1	

1-7 Chassis Accessories Installations 1 (Continued)

Item	Part Number	Description	Qty.	Remark
30	00008699	Control	1	
31	00001034	Screw GB/T 70 M6 × 25	4	

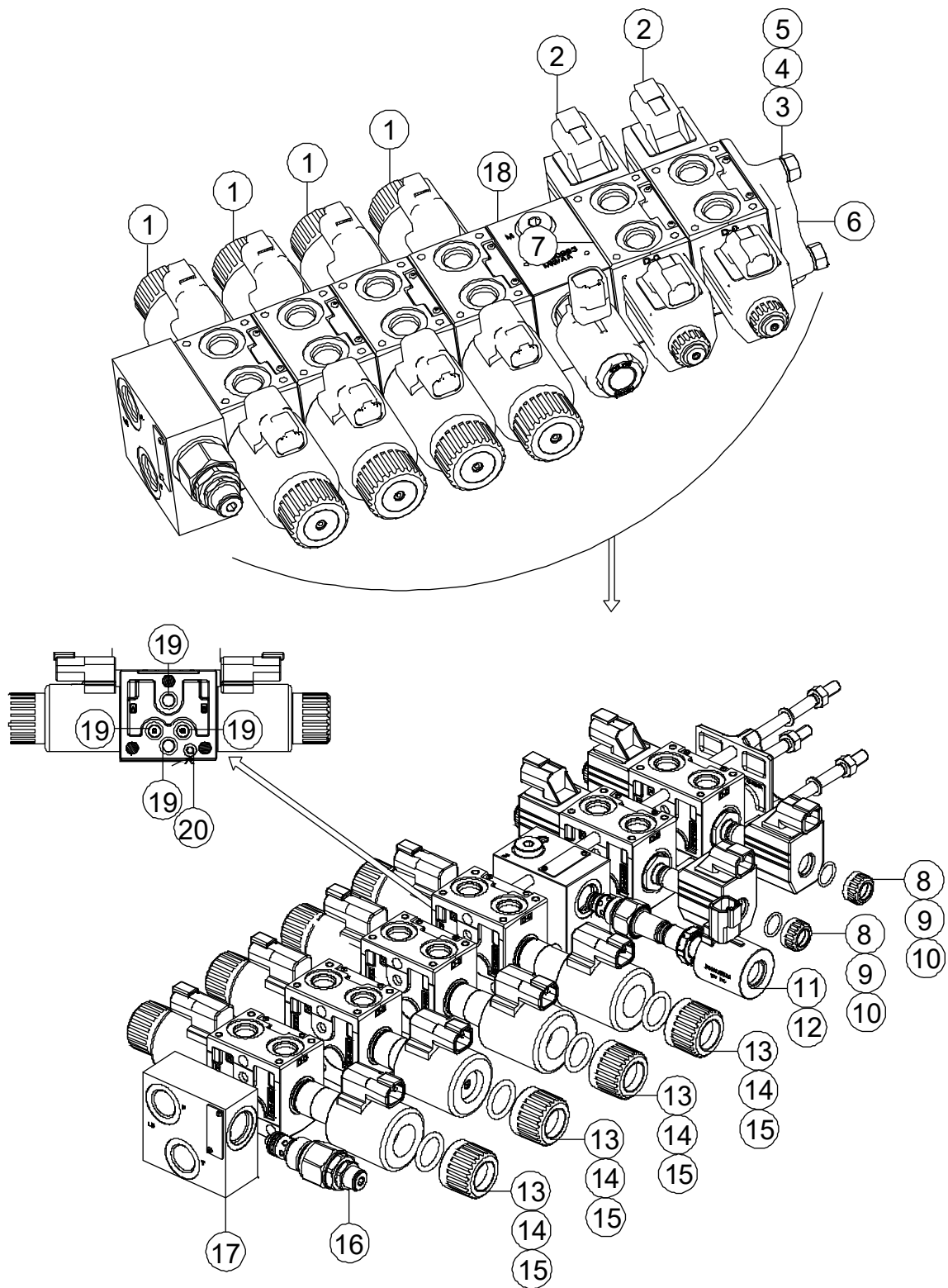
1-8 Chassis Accessories Installations 2



1-9 Chassis Accessories Installations 2

Item	Part Number	Description	Qty.	Remark
1	93300347	Bracket, Limit Switch	1	
2	00002051	Screw GB/T 70 M8 × 16	8	
3	93000015	Spring Washer Φ8.2	8	
4	93300007	Limit Switch	2	
5	93300032	Limit Switch Actuator	2	
6	00000604	Screw GB/T 70.1 M4×16	4	
7	93301089	Housing	1	
8	00002062	Screw GB/T 70 M8 × 35	2	
9	00000610	Nut GB/T 6170 M8	2	
10	93305785	Spring Washer Φ8.2	2	
11	93300854	Pressure Sensor	4	
12	92048451	Fitting, Straight	1	
13	93200037	Traction Manifold (<i>Refer to 1-10</i>)	1	
14	00006016	Fitting, Straight	3	
15	93300345	Support	2	
16	00002411	Bolt GB/T 5783 M10 × 45	4	
17	93000016	Spring Washer Φ10.2	8	
18	00000674	Bolt GB/T 5783 M10 × 20	4	
19	93301087	Housing	1	
20	93300343	Bracket, Limit Switch	1	

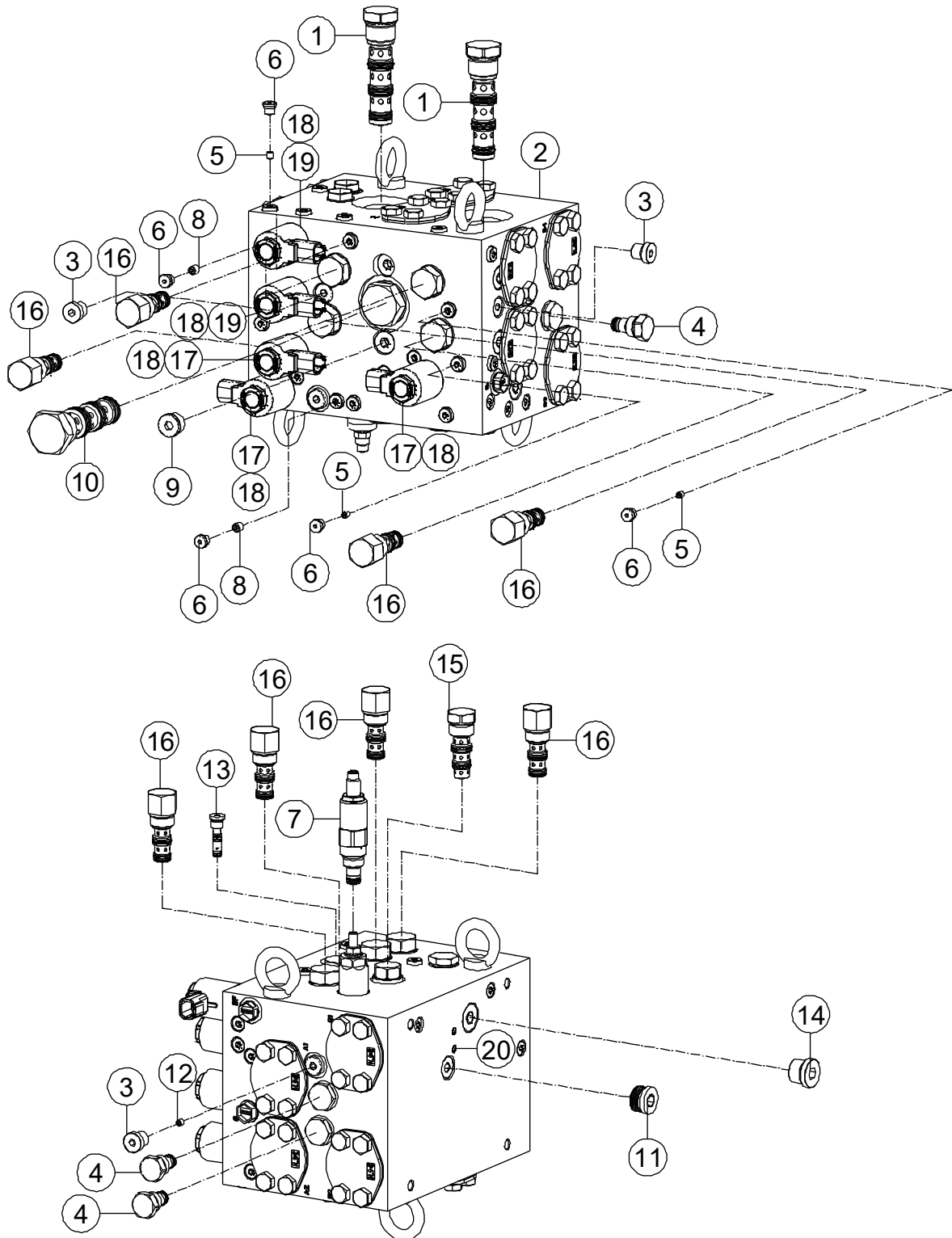
1-9 Steer Manifold



1-9 Steer Manifold

Item	Part Number	Description	Qty.	Remark
1	00011521	Work Unit, Steering	4	
2	00011519	Work Unit, Extension/Retraction	2	
3	00011547	Lock-Washer	3	
4	00011548	Tie-Rod	3	
5	00011546	Nut	3	
6	00011518	Cover	1	
7	00011524	Orifice $\Phi 2.0$	1	
8	00011523	Nut	4	
9	00011538	Seal	4	
10	00011505	Coil	4	
11	00011506	Coil	1	
12	00011582	Cartridge, Solenoid Valve	1	
13	00011554	Nut	8	
14	00011557	Seal	8	
15	00011504	Coil	8	
16	00011491	Cartridge, Relief Valve	1	
17	00011507	Body	1	
18	00011520	Cuting Unit, Steefing and Extension/Retracion	1	
19	00011556	Seal	28	
20	00011555	Seal	8	

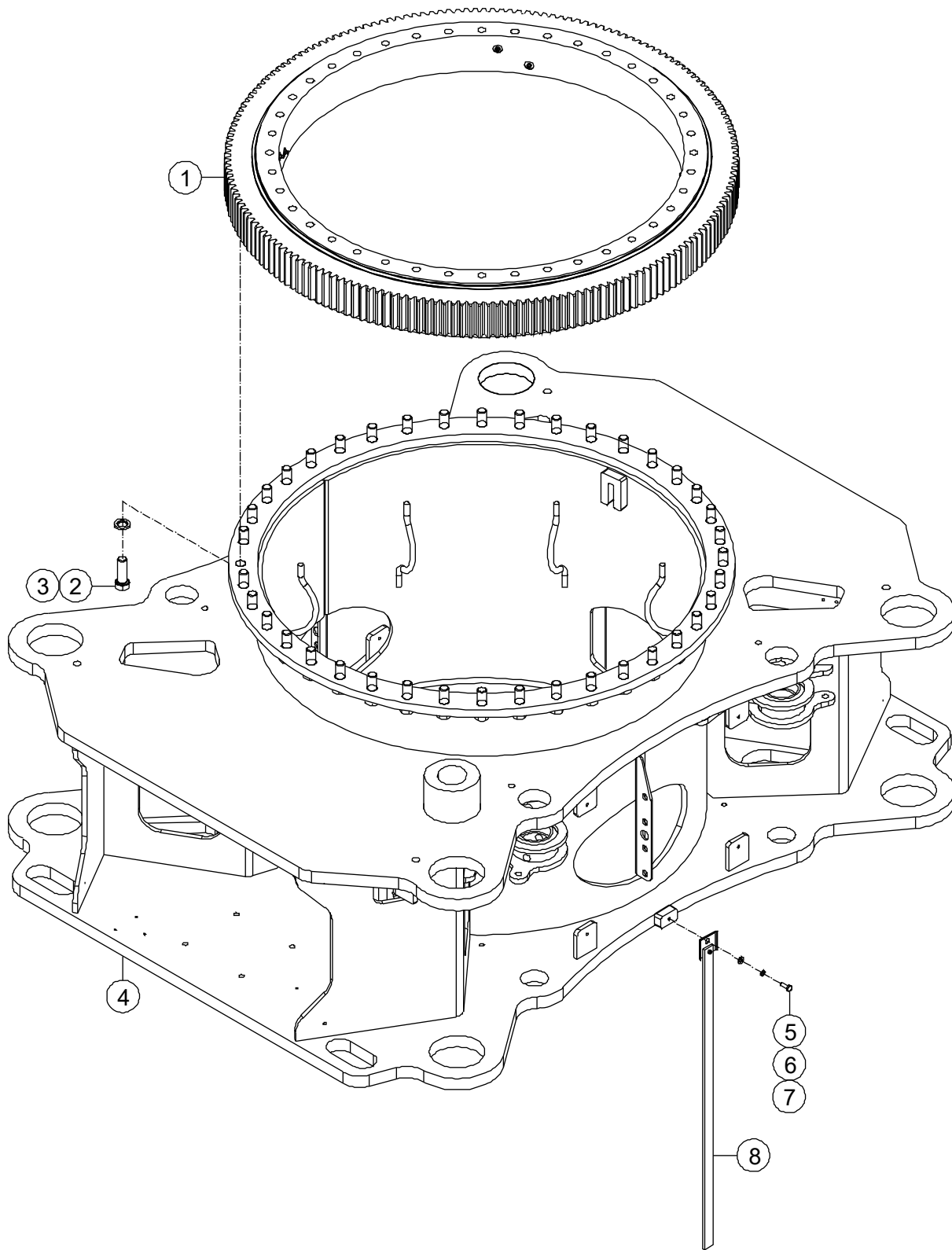
1-10 Traction Manifold



1-10 Traction Manifold

Item	Part Number	Description	Qty.	Remark
1	00011495	Cartridge, Flow Divider/Combiner	2	
2	00011508	Body	1	
3	00011535	Plug	4	
4	00011488	Cartridge, Check Valve	4	
5	00011526	Orifice	3	
6	00011533	Plug	5	
7	00011492	Cartridge, Relief Valve	1	
8	00011527	Orifice	2	
9	00011531	Plug	1	
10	00011496	Cartridge, Flow Divider/Combiner	1	
11	00011536	Plug	1	
12	00011525	Orifice	1	
13	00011489	Cartridge, Shuttle Valve	1	
14	00011532	Plug	1	
15	00011490	Cartridge, Shuttle Valve	1	
16	00011501	Cartridge, Logic Valve	8	
17	00011499	Cartridge, Solenoid Valve	3	
18	00011506	Coil	5	
19	00011498	Cartridge, Solenoid Valve	2	
20	00011534	Plug	2	

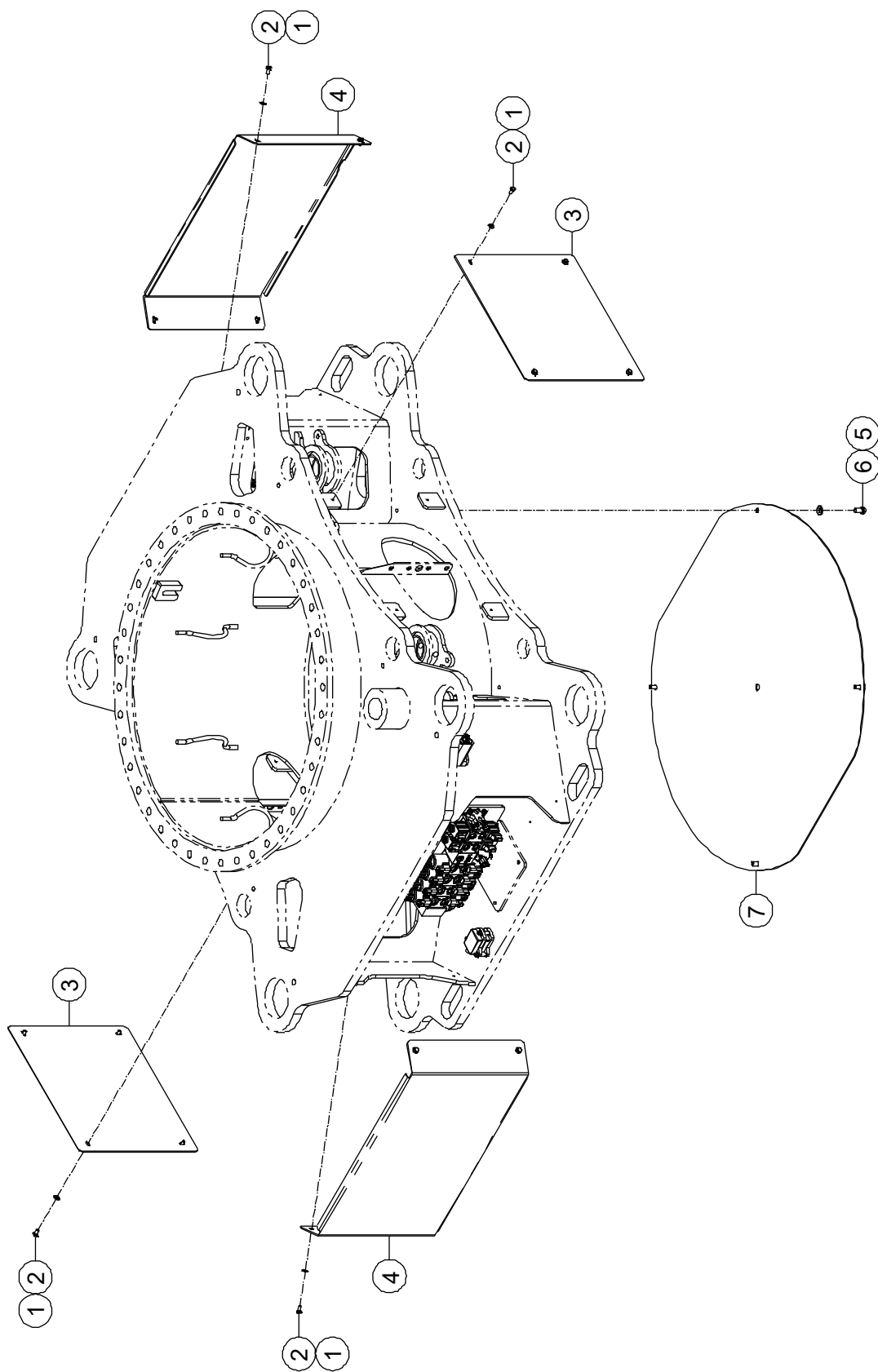
1-11 Slewing Ring Installations



1-11 Slewing Ring Installations

Item	Part Number	Description	Qty.	Remark
1	93200066	Slewing Ring	1	
2	00006443	Bolt GB/T 5783 M20 × 60	40	
3	00001103	Washer, Thrust	40	
4	93200551	Chassis	1	
5	00000875	Bolt GB/T 5783 M8 × 20	1	
6	00000609	Spring Washer GB/T 93 8	1	
7	00000608	Flat Washer GB/T 97.1 8	1	
8	00006555	Ground Strap	1	

1-12 Chassis Components

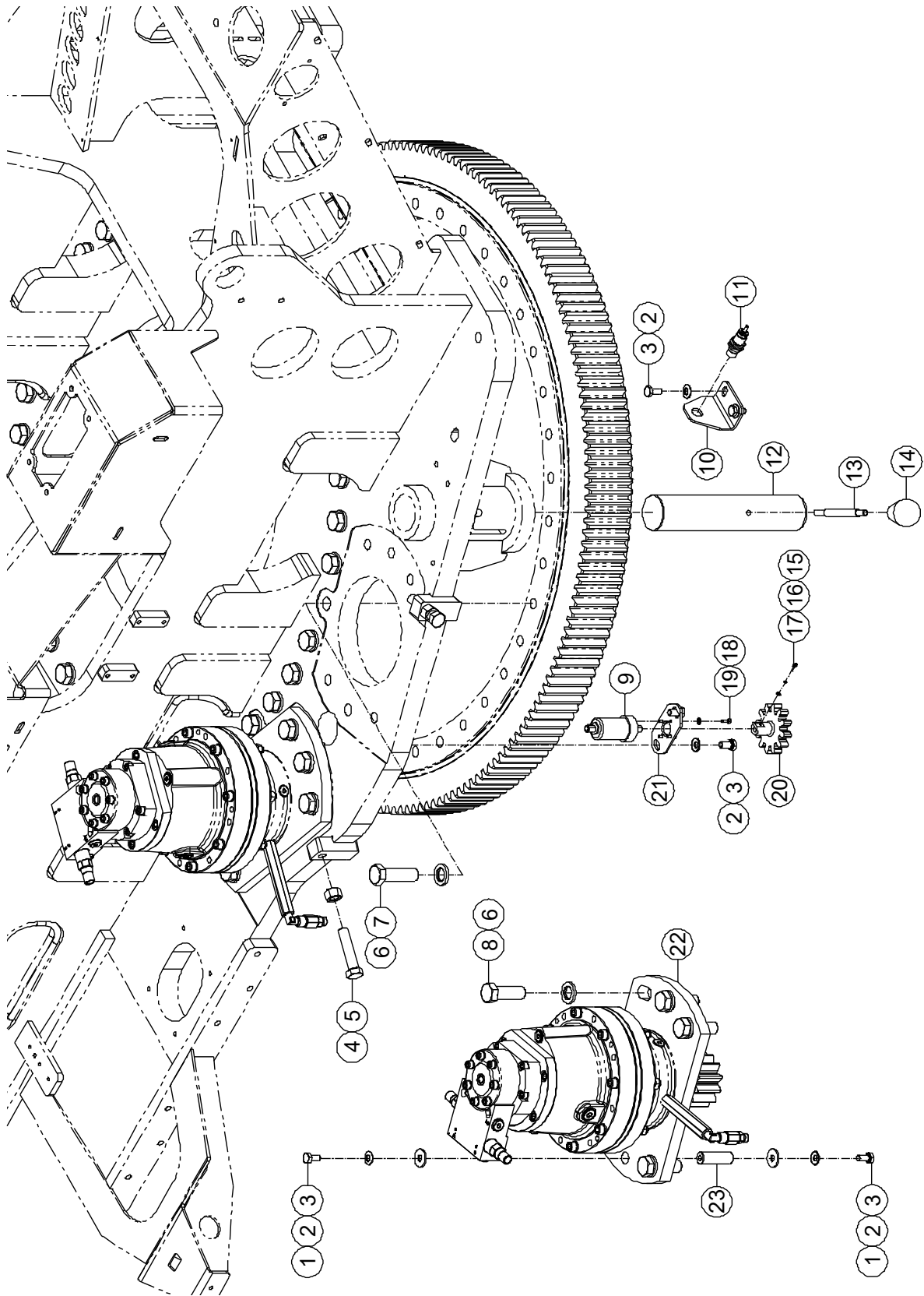


1-12 Chassis Components

Item	Part Number	Description	Qty.	Remark
1	93000015	Spring Washer $\Phi 8.2$	16	
2	00001063	Bolt GB/T 5783 M8 \times 16	16	
3	93301084	Cover	2	
4	93301083	Cover	2	
5	93000017	Spring Washer $\Phi 12.4$	4	
6	00000816	Bolt GB/T 5783 M12 \times 25	4	
7	93300337	Cover	1	

Section 2 Turntable

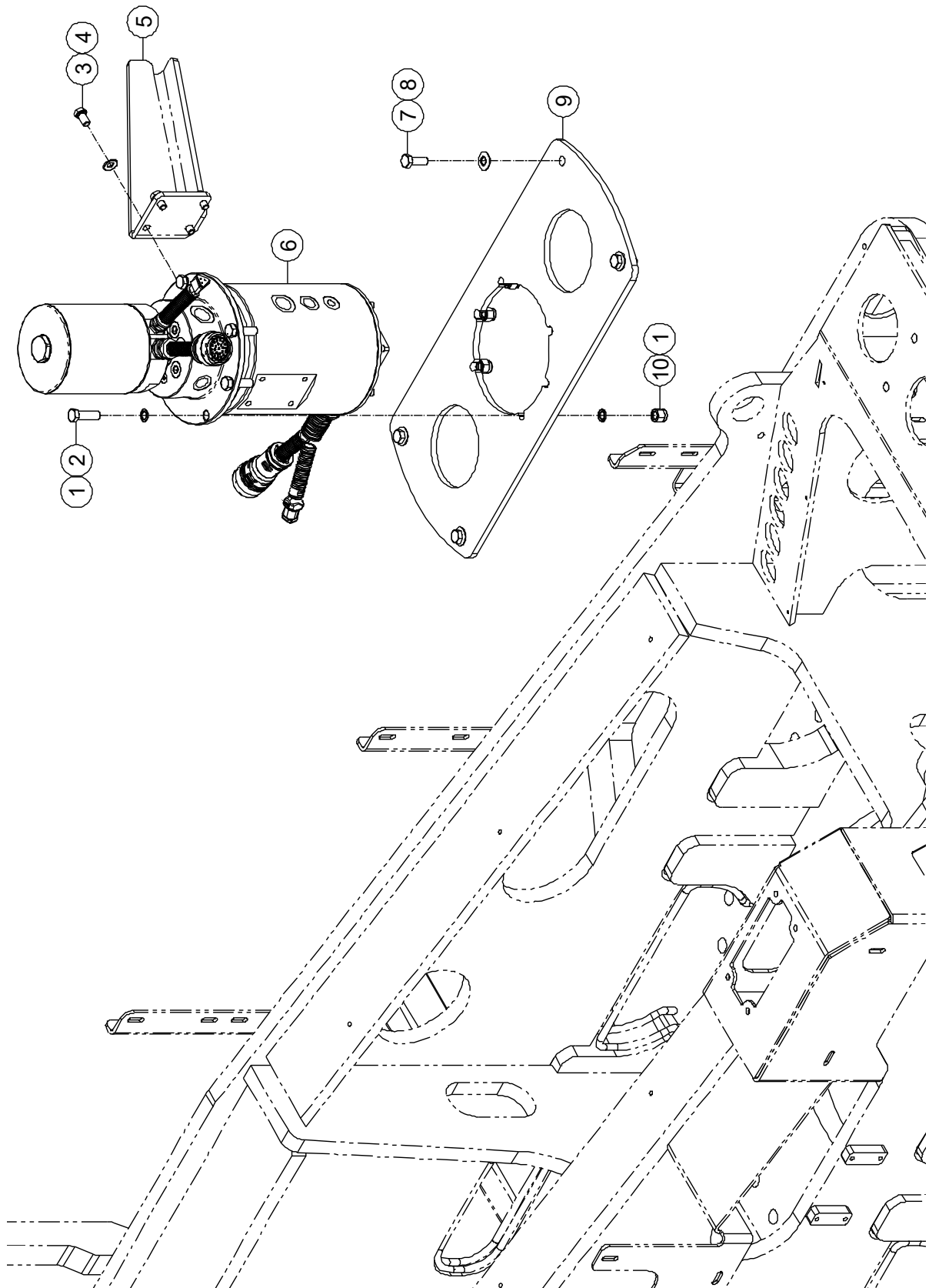
2-1 Gearmotor Installations



2-1 Gearmotor Installations

Item	Part Number	Description	Qty.	Remark
1	00001028	Flat Washer GB/T 96.1 10	4	
2	93000016	Spring Washer Φ 10.2	8	
3	00000674	Bolt GB/T 5783 M10 \times 20	8	
4	00002510	Nut GB/T 6170 M16	2	
5	00008732	Bolt GB/T 5783 M16 \times 75	2	
6	00001103	Washer, Thrust	50	
7	00002223	Bolt GB/T 5783 M20 \times 70	40	
8	00006443	Bolt GB/T 5783 M20 \times 60	10	
9	93300059	Angle Sensor	1	
10	93300728	Bracket, Switch	1	
11	00006642	Proximity Switch	1	
12	93300272	Pin	1	
13	93300273	Rod	1	
14	50001281	Handle	1	
15	00007754	Flat Washer GB/T 97.1 3	1	
16	00007755	Spring Washer GB/T 93 3	1	
17	00007756	Screw GB/T 70 M3 \times 10	1	
18	93305247	Spring Washer Φ 4.1	4	
19	00001054	Screw GB/T 70 M4 \times 12	4	
20	93300727	Gear	1	
21	93300726	Bracket	1	
22	00006823	Gearmotor	2	
--	00008952	Motor Assembly	1	
--	00008950	Valve Block	1	
23	93300922	Pin	2	

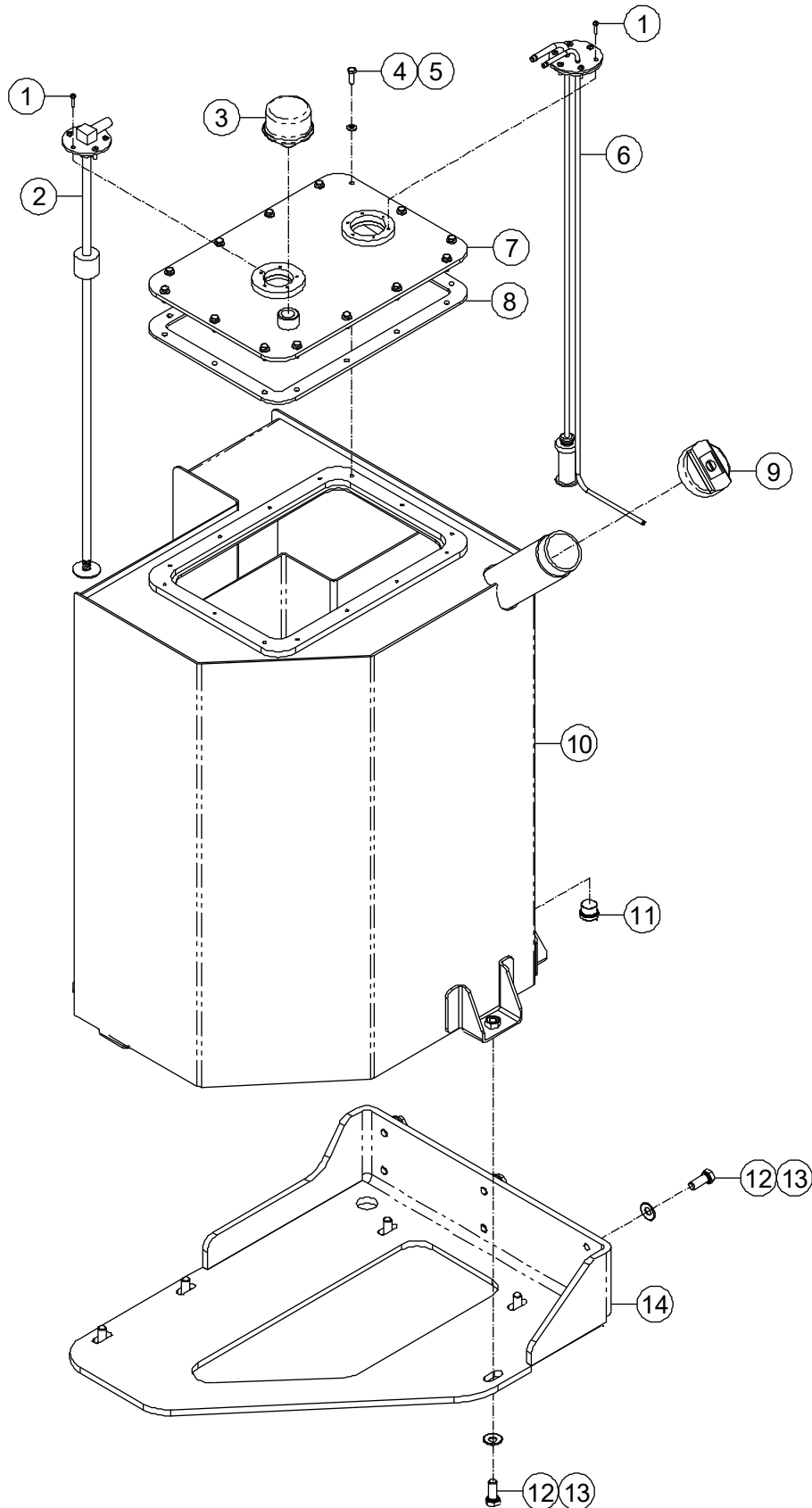
2-2 Rotary Coupling Installations



2-2 Rotary Coupling Installations

Item	Part Number	Description	Qty.	Remark
1	93305787	Spring Washer Φ 12.4	12	
2	00001055	Bolt GB/T 5783 M12 \times 40	6	
3	00000674	Bolt GB/T 5783 M10 \times 20	4	
4	93000016	Spring Washer Φ 10.2	4	
5	93300617	Bracket	1	
6	93300031	Rotary Coupling Assembly	1	
7	00002059	Bolt GB/T 5783 M12 \times 30	4	
8	93000017	Spring Washer Φ 12.4	4	
9	93300616	Support	1	
10	00001249	Nut GB/T 6182 M12	6	

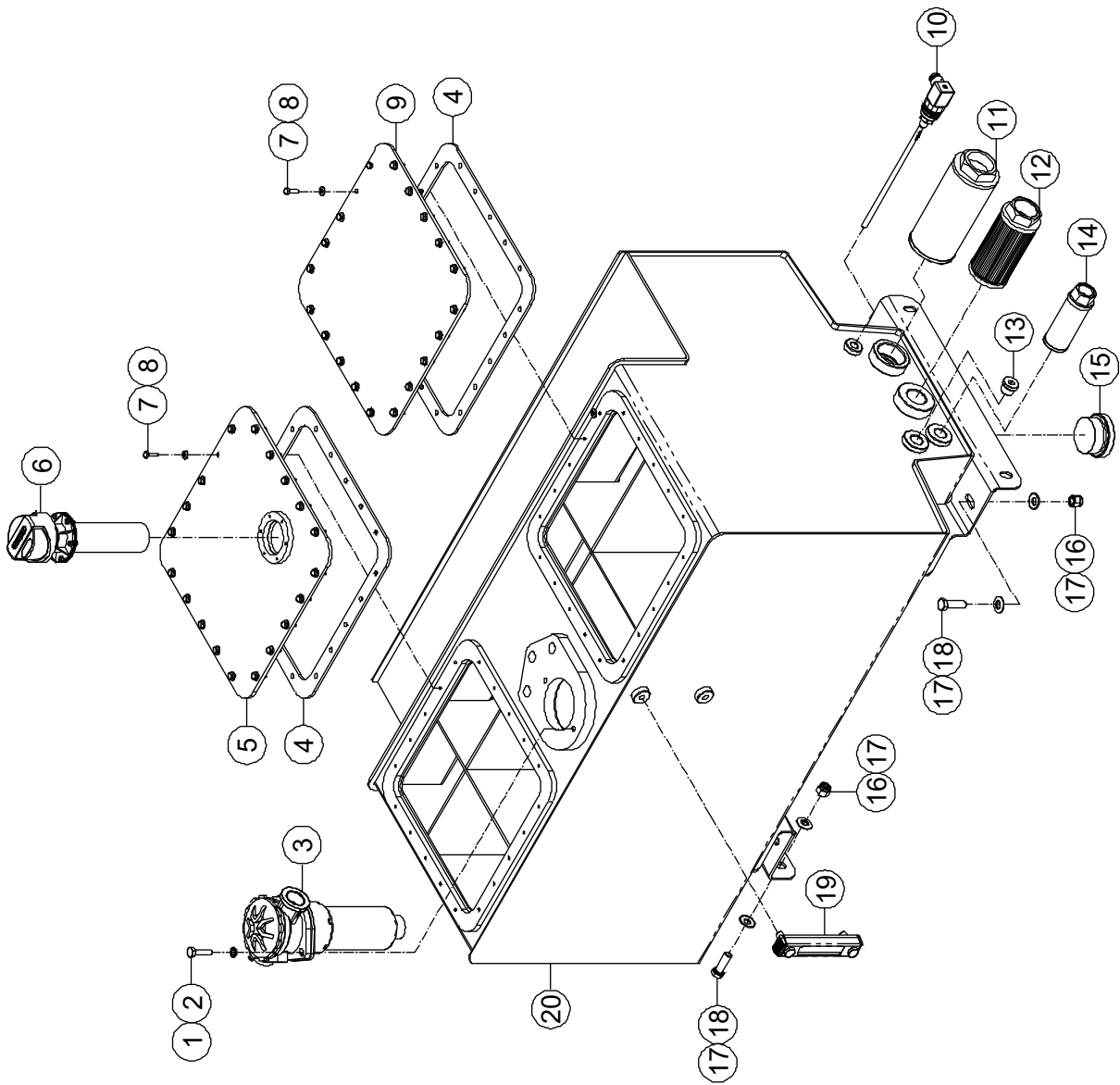
2-3 Fuel Tank Installations



2-3 Fuel Tank Installations

Item	Part Number	Description	Qty.	Remark
1	00001232	Screw GB/T 818 M4 × 16 - H	11	
2	00010943	Fuel Level Sensor	1	
3	90028620	Filter	1	
4	00000743	Bolt GB/T 5783 M6 × 20	14	
5	93000014	Spring Washer Φ6.1	14	
6	93000680	Suction Pipe	1	
7	93000677	Cover	1	
8	93000676	Seal	1	
9	90003907	Plug	1	
10	93000681	Fuel Tank	1	
11	00001114	Plug	1	
12	00002059	Bolt GB/T 5783 M12 × 30	11	
13	93000017	Spring Washer Φ12.4	11	
14	93000690	Bracket	1	

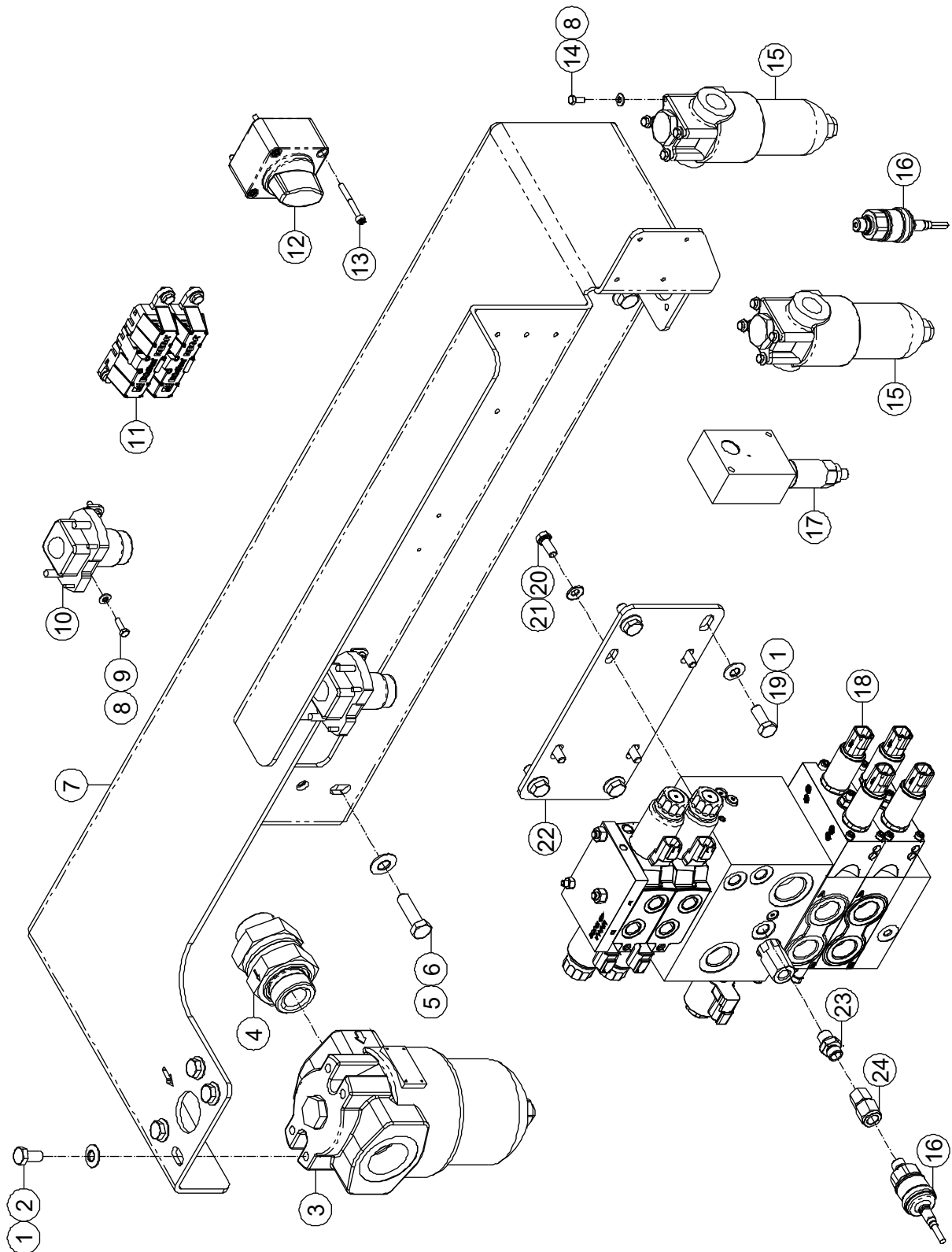
2-4 Hydraulic Tank Installations



2-4 Hydraulic Tank Installations

Item	Part Number	Description	Qty.	Remark
1	93305786	Spring Washer Φ 10.2	2	
2	00000684	Bolt GB/T 5783 M10 \times 35	2	
3	93000394	Filter, Return Oil	1	
4	93000695	Seal	2	
5	93000696	Cover	1	
6	90012734	Vent Plug	1	
7	00000743	Bolt GB/T 5783 M6 \times 20	40	
8	93000014	Spring Washer Φ 6.1	40	
9	93000694	Cover	1	
10	93300057	Temperature Sensor	1	
11	00001872	Filter Cartridge	1	
12	00000519	Filter Cartridge	1	
13	00001114	Plug	1	
14	00000518	Filter Cartridge	1	
15	00009809	Plug	1	
16	00001249	Nut GB/T 6182 M12	4	
17	93000017	Spring Washer Φ 12.4	8	
18	00001055	Bolt GB/T 5783 M12 \times 40	4	
19	93300098	Level Indicator	1	
20	93000691	Hydraulic Tank	1	

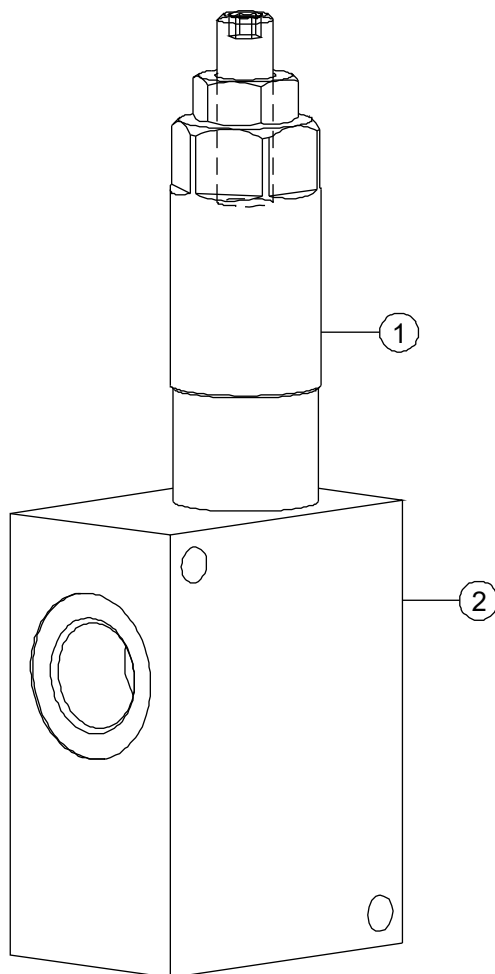
2-5 Function Manifold Installations



2-5 Function Manifold Installations

Item	Part Number	Description	Qty.	Remark
1	93000016	Spring Washer Φ 10.2	8	
2	00000674	Bolt GB/T 5783 M10 \times 20	4	
3	93000392	Filter	1	
4	93300786	Check Valve	1	
5	93000017	Spring Washer Φ 12.4	6	
6	00001055	Bolt GB/T 5783 M12 \times 40	6	
7	93000053	Bracket	1	
8	93000013	Spring Washer Φ 5.1	12	
9	00003949	Bolt GB/T 5783 M5 \times 16	4	
10	00002205	DC Contactor	2	
11		Fuse Holder Assembly (<i>Refer to 7-2</i>)	1	
12	93300324	Power Switch	1	
13	00003362	Screw GB/T 70 M5 \times 45	4	
14	00002246	Bolt GB/T 5783 M5 \times 12	8	
15	93000393	Filter	2	
16	93300854	Pressure Sensor	2	
17	92058380	Relief Valve (<i>Refer to 2-6</i>)	1	
18	93200039	Function Manifold (<i>Refer to 2-7</i>)	1	
19	00000678	Bolt GB/T 5783 M10 \times 25	4	
20	00000875	Bolt GB/T 5783 M8 \times 20	4	
21	93000015	Spring Washer Φ 8.2	4	
22	93000063	Bracket	1	
23	00001316	Fitting, Straight	1	
24	00006016	Fitting, Straight	1	

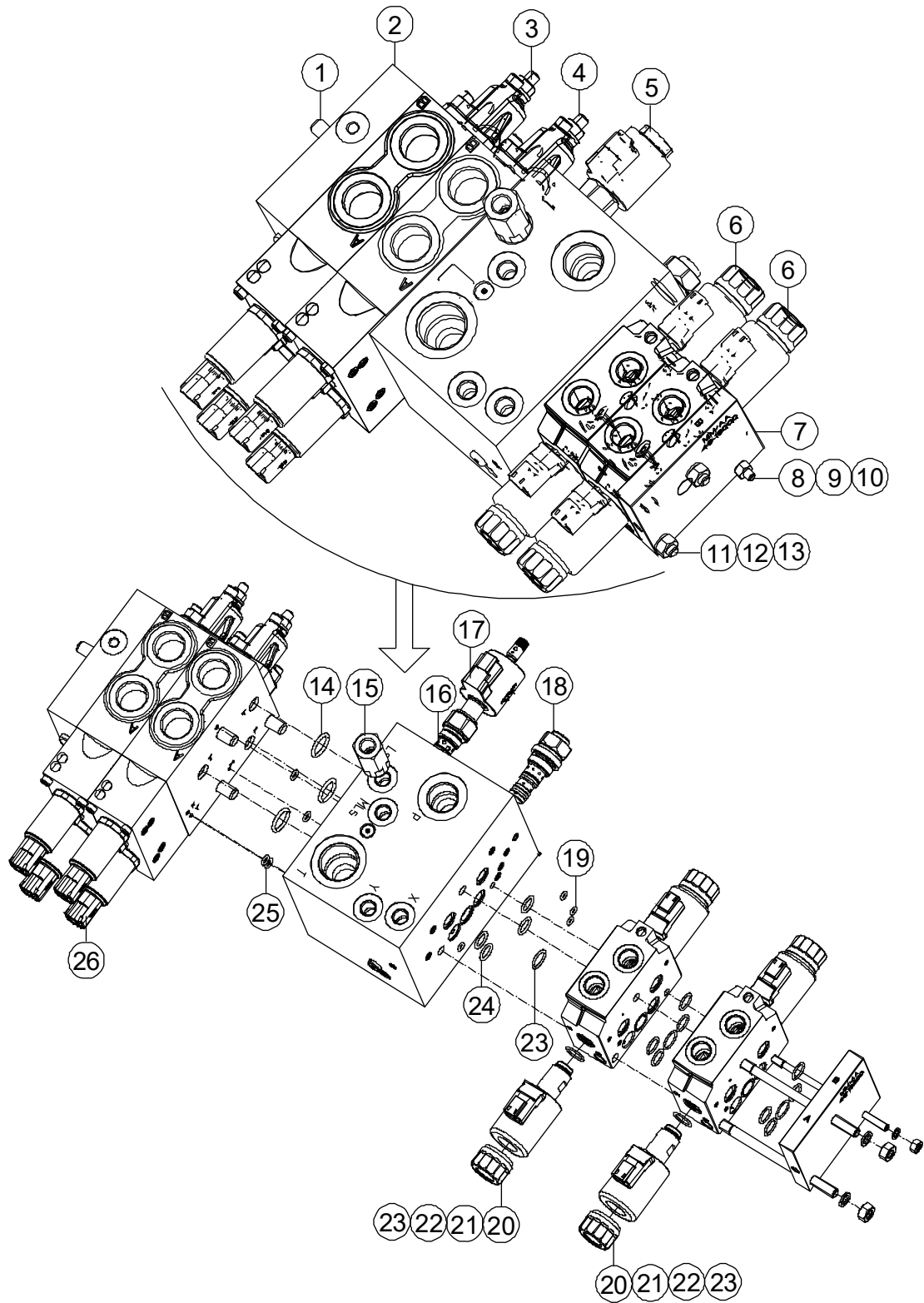
2-6 Relief Valve



2-6 Relief Valve

Item	Part Number	Description	Qty.	Remark
1	00008076	Cartridge, Relief	1	
2	00008077	Body	1	

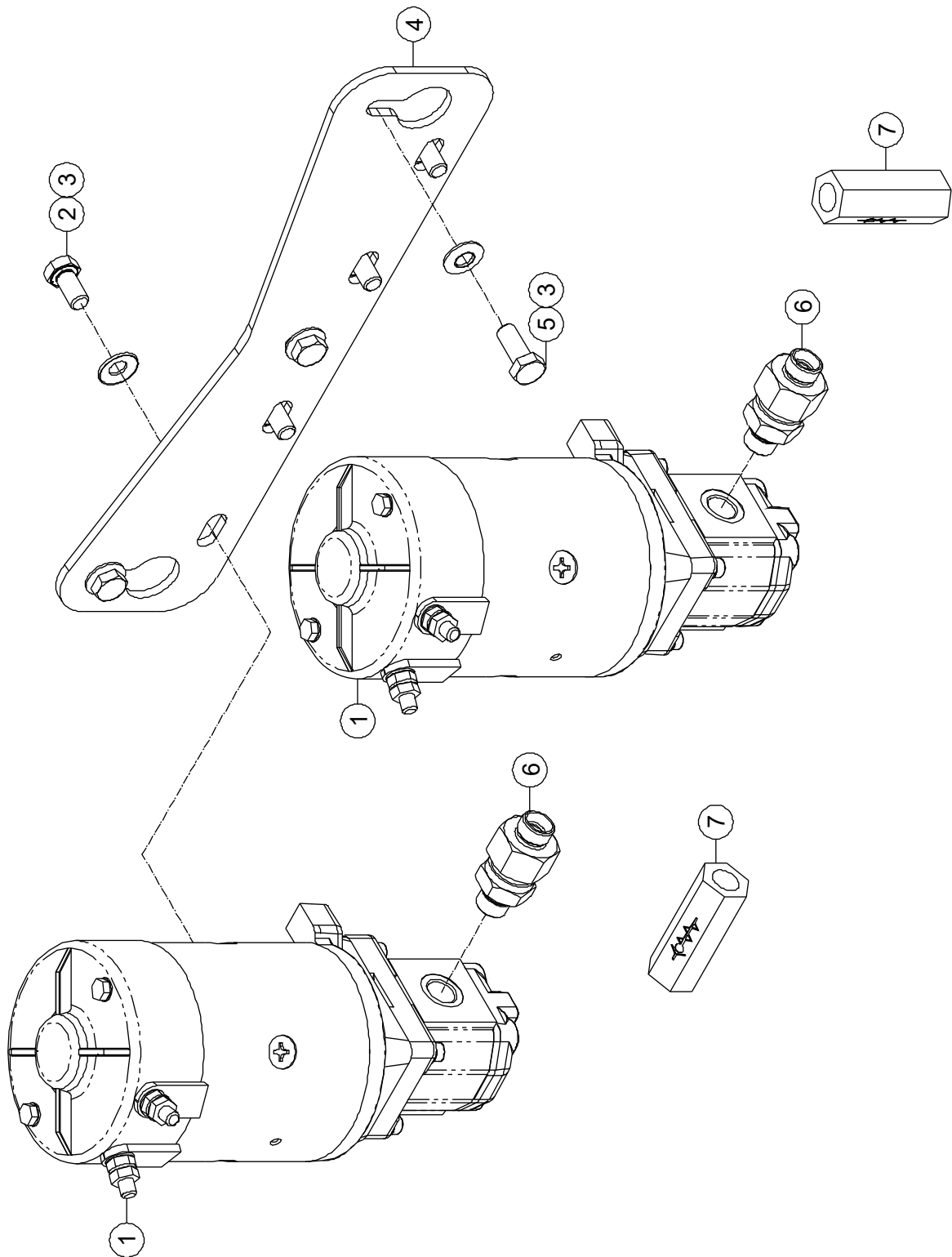
2-7 Function Manifold



2-7 Function Manifold

Item	Part Number	Description	Qty.	Remark
1	00011541	Tie-Rod	3	
2	00011581	Cover	1	
3	00011515	Work Unit, Main Boom Lifting	1	
4	00011574	Work Unit, Main Boom Telescope	1	
5	00011516	Inlet Unit	1	
6	00011517	Work Unit, Jib Lifting	2	
7	00011514	Cover	1	
8	00011543	Tie-Rod	1	
9	00011545	Lock-Washer	1	
10	00011544	Nut	1	
11	00011542	Tie-Rod	2	
12	00011547	Lock-Washer	5	
13	00011546	Nut	5	
14	00011571	Seal	3	
15	00011568	Plug, Orifice	1	
16	00011497	Cartridge, Solenoid Valve	1	
17	00011502	Coil	1	
18	00011567	Cartridge, Relief Valve	1	
19	00011569	Seal	4	
20	00011522	Nut	4	
21	00011503	Coil	4	
22	00011500	Cartridge, Proportional Valve	4	
23	00011537	Seal	5	
24	00011570	Seal	4	
25	00011572	Seal	4	
26	00011575	Control Unit, M4, Valve	4	

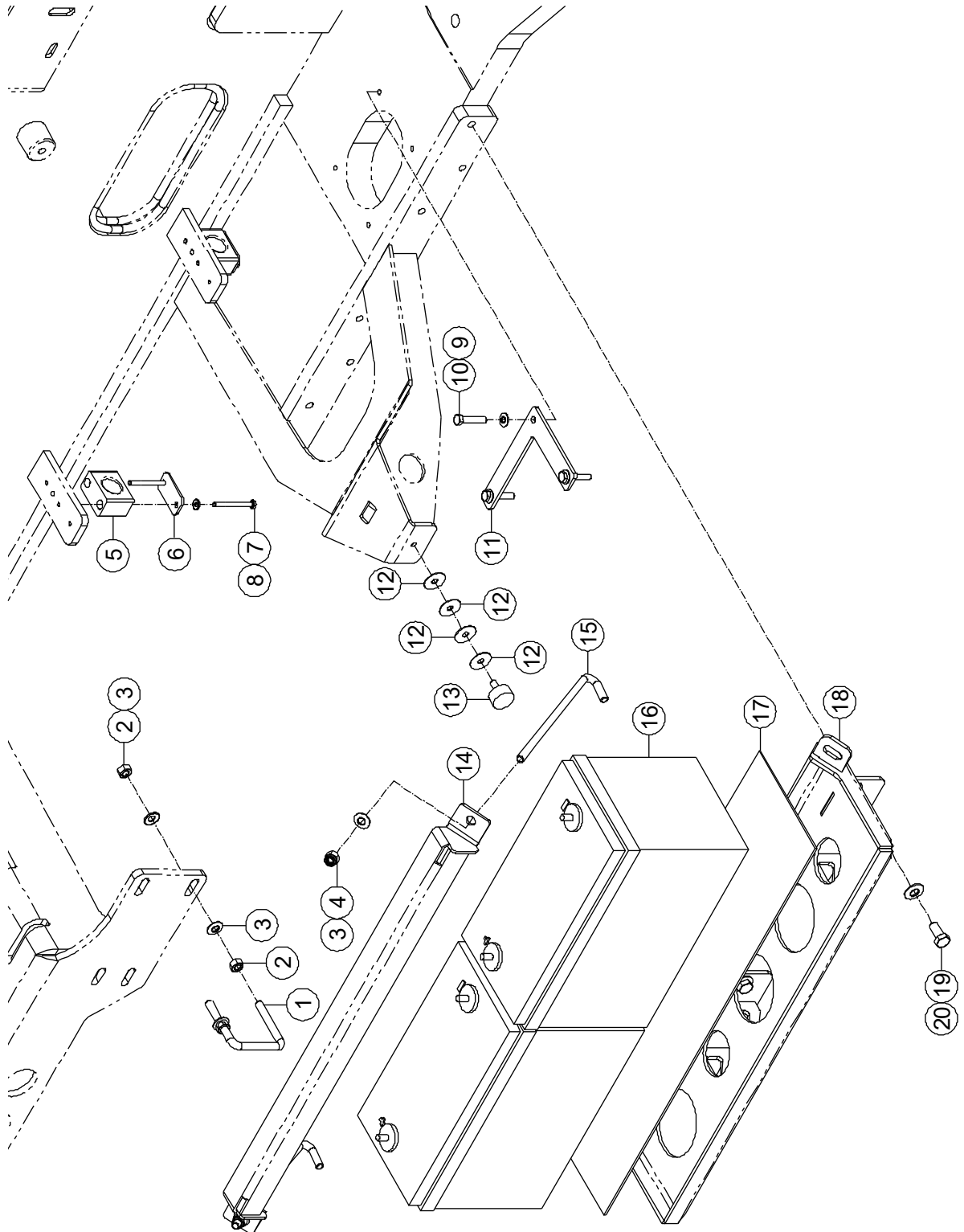
2-8 Emergency Pump Installations



2-8 Emergency Pump Installations

Item	Part Number	Description	Qty.	Remark
1	00006580	Emergency Pump Assembly	2	
--	00006954	Motor	1	
--	00006955	Pump	1	
2	00000674	Bolt GB/T 5783 M10 × 20	4	
3	93000016	Spring Washer Φ10.2	7	
4	93000056	Bracket	1	
5	00000678	Bolt GB/T 5783 M10 × 25	3	
6	93300770	Check Valve	2	
7	90003092	Check Valve	2	

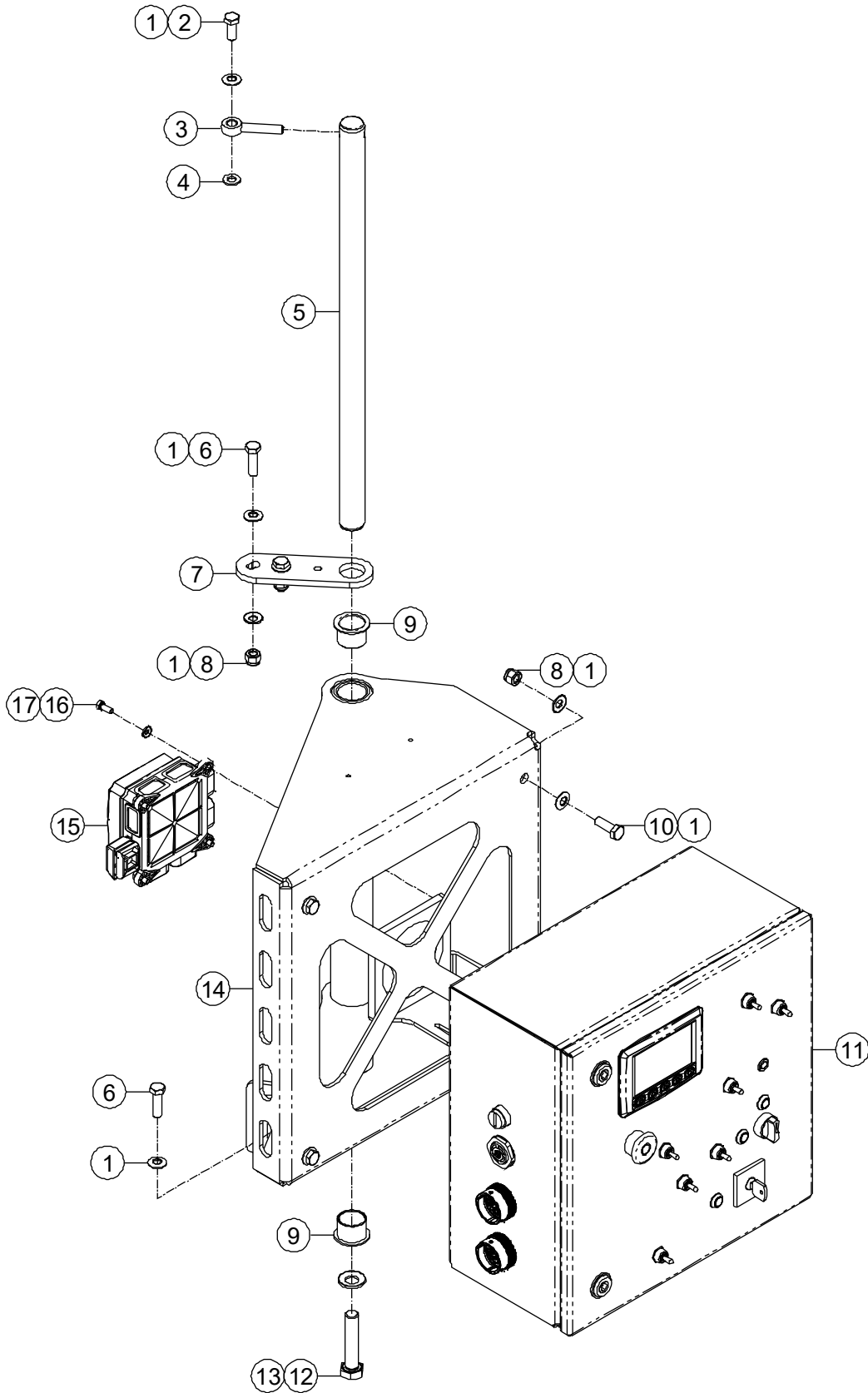
2-9 Battery Installations



2-9 Battery Installations

Item	Part Number	Description	Qty.	Remark
1	93000098	U-Bolt	1	
2	00001999	Nut GB/T 6170 M10	4	
3	93000016	Spring Washer Φ 10.2	6	
4	00000623	Nut GB/T 6182 M10	2	
5	00007021	Clamp	2	
6	93300979	Plate	2	
7	00002335	Bolt GB/T 5782 M6 \times 60	4	
8	93000014	Spring Washer Φ 6.1	4	
9	93000015	Spring Washer Φ 8.2	3	
10	00002604	Bolt GB/T 5783 M8 \times 40	3	
11	00010716	Terminal Strip	1	
12	93000295	Shim	4	
13	93303714	Rubber Mounting	1	
14	93000069	Retainer	1	
15	93000067	Hook, Battery Hold Down	2	
16	00004485	Battery	2	
17	93000068	Rubber Mounting	1	
18	93000070	Support	1	
19	00000816	Bolt GB/T 5783 M12 \times 25	6	
20	93000017	Spring Washer Φ 12.4	6	

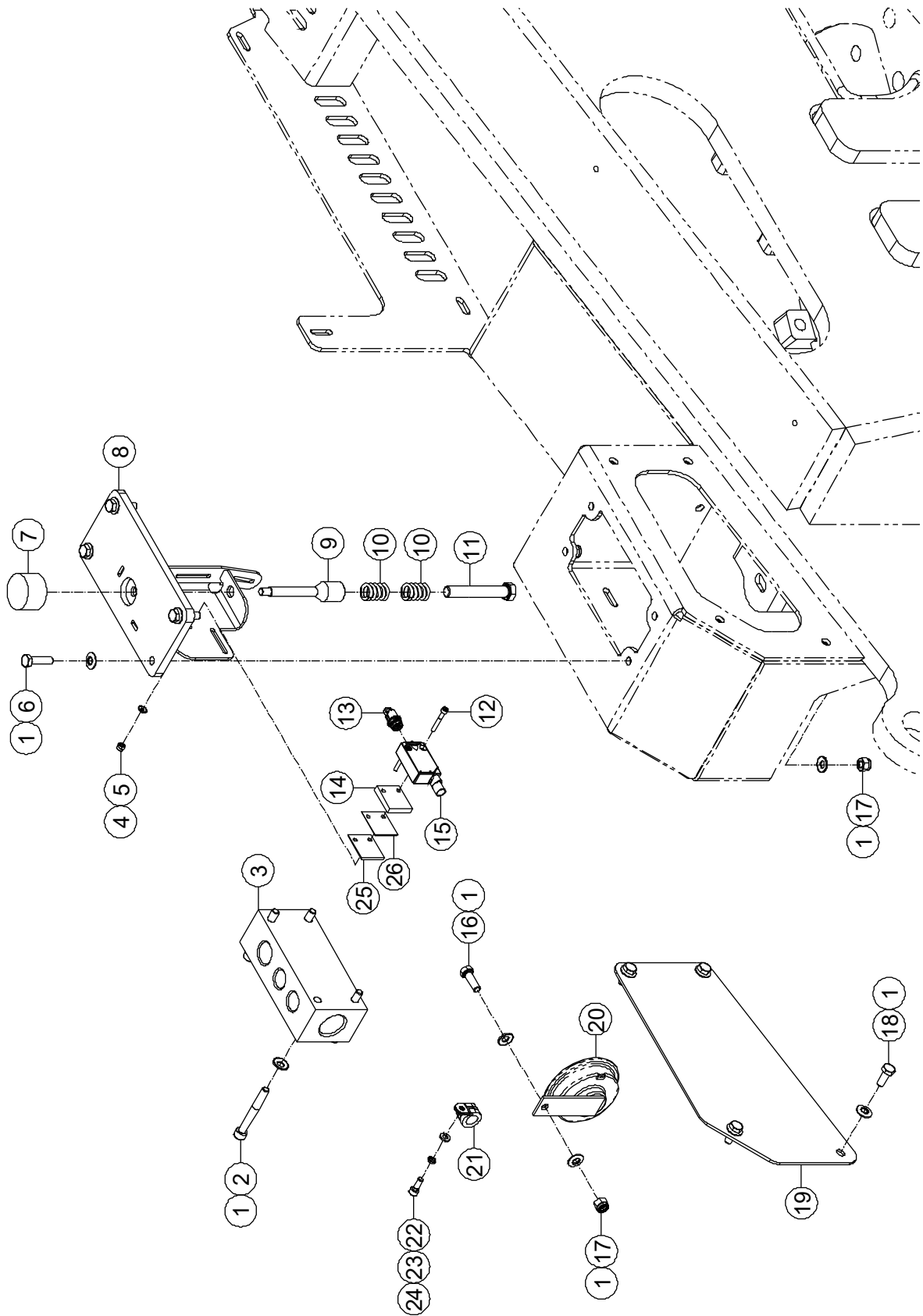
2-10 Ground Control Box Installations



2-10 Ground Control Box Installations

Item	Part Number	Description	Qty.	Remark
1	93000016	Spring Washer Φ 10.2	14	
2	00000678	Bolt GB/T 5783 M10 \times 25	1	
3	00000219	8902-10060 Pin, Lock	1	
4	00000615	Flat Washer GB/T 97.1 10	1	
5	93300668	Pin	1	
6	00000684	Bolt GB/T 5783 M10 \times 35	3	
7	93300669	Plate	1	
8	00000623	Nut GB/T 6182 M10	6	
9	00005022	8822-11025 Sleeve Bearing	2	
10	00000683	Bolt GB/T 5783 M10 \times 30	4	
11		Ground Control Box Assembly (<i>Refer to 7-4</i>)	1	
12	00008732	Bolt GB/T 5783 M16 \times 75	1	
13	93305316	Spring Washer Φ 16.4	1	
14	93200358	Bracket	1	
15	00006155	Power Distribution Module (<i>Refer to 7-3</i>)	1	
16	00000818	Bolt GB/T 5783 M6 \times 16	4	
17	93000014	Spring Washer Φ 6.1	4	

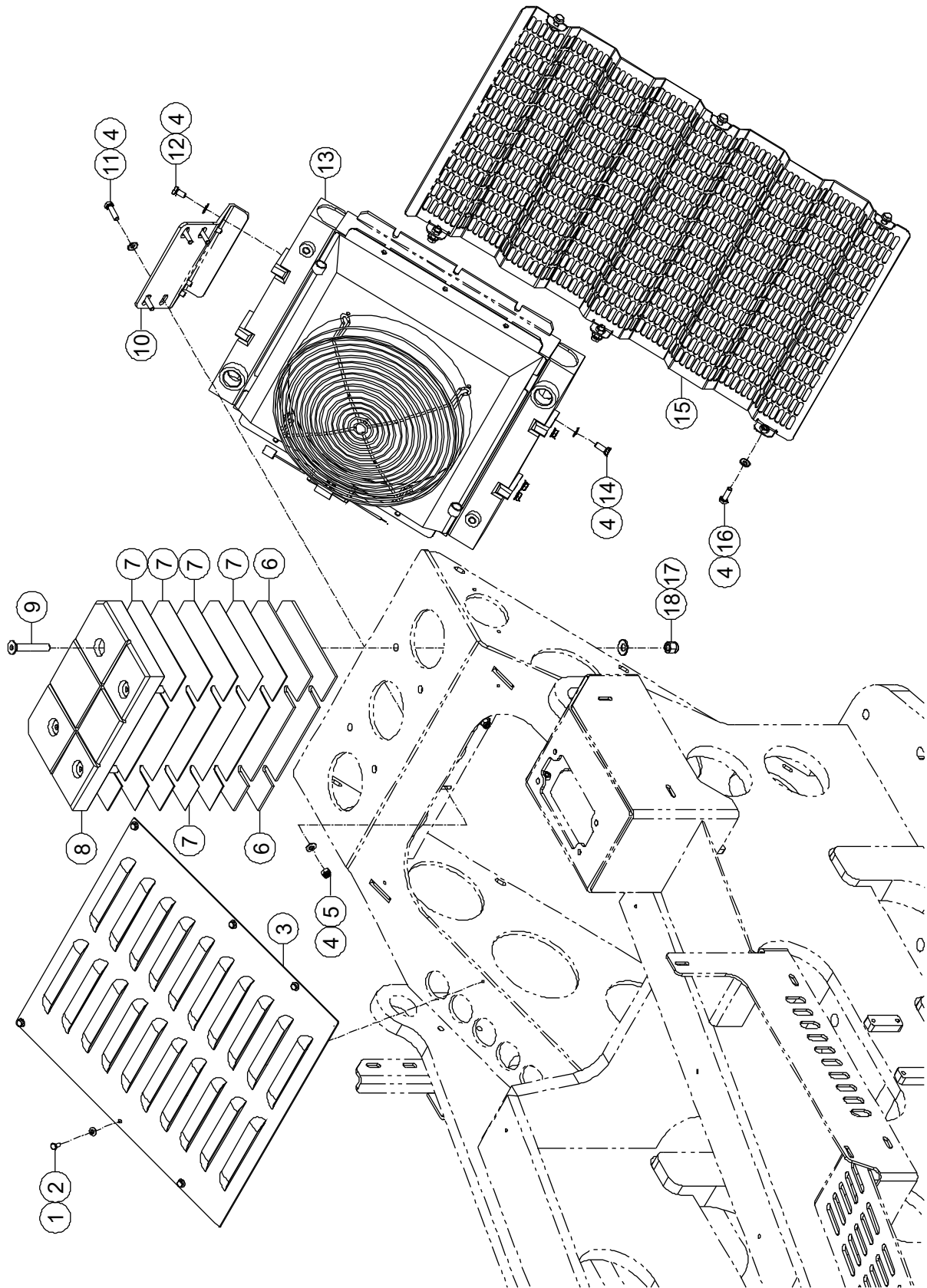
2-11 Limit Switch Installations



2-11 Limit Switch Installations

Item	Part Number	Description	Qty.	Remark
1	93000015	Spring Washer $\Phi 8.2$	18	
2	00004103	Screw GB/T 70 M8 \times 65	4	
3	00002183	Return Oil Block	1	
4	93305247	Spring Washer $\Phi 4.1$	2	
5	00001236	Nut GB/T 889.1 M4	2	
6	00000995	Bolt GB/T 5783 M8 \times 30	4	
7	93300919	Rubber Mounting	1	
8	93200227	Bracket, Limit Switch	1	
9	93300637	Pin	1	
10	93300638	Spring	2	
11	00002527	Bolt GB/T 5782 M12 \times 80	1	
12	00002415	Screw GB/T 70 M4 \times 30	2	
13	93300032	Limit Switch Actuator	1	
14	93300627	Shim	1	
15	93300007	Limit Switch	1	
16	00000993	Bolt GB/T 5783 M8 \times 25	1	
17	00001163	Nut GB/T 6182 M8	5	
18	00000875	Bolt GB/T 5783 M8 \times 20	4	
19	93300885	Cover	1	
20	00002212	Horn	1	
21	92100579	Clamp	1	
22	00000876	Screw GB/T 70 M6 \times 16	1	
23	00000621	Spring Washer GB/T 93 6	1	
24	00000620	Flat Washer GB/T 97.1 6	1	
25	93000798	Shim	1	
26	93000797	Shim	1	

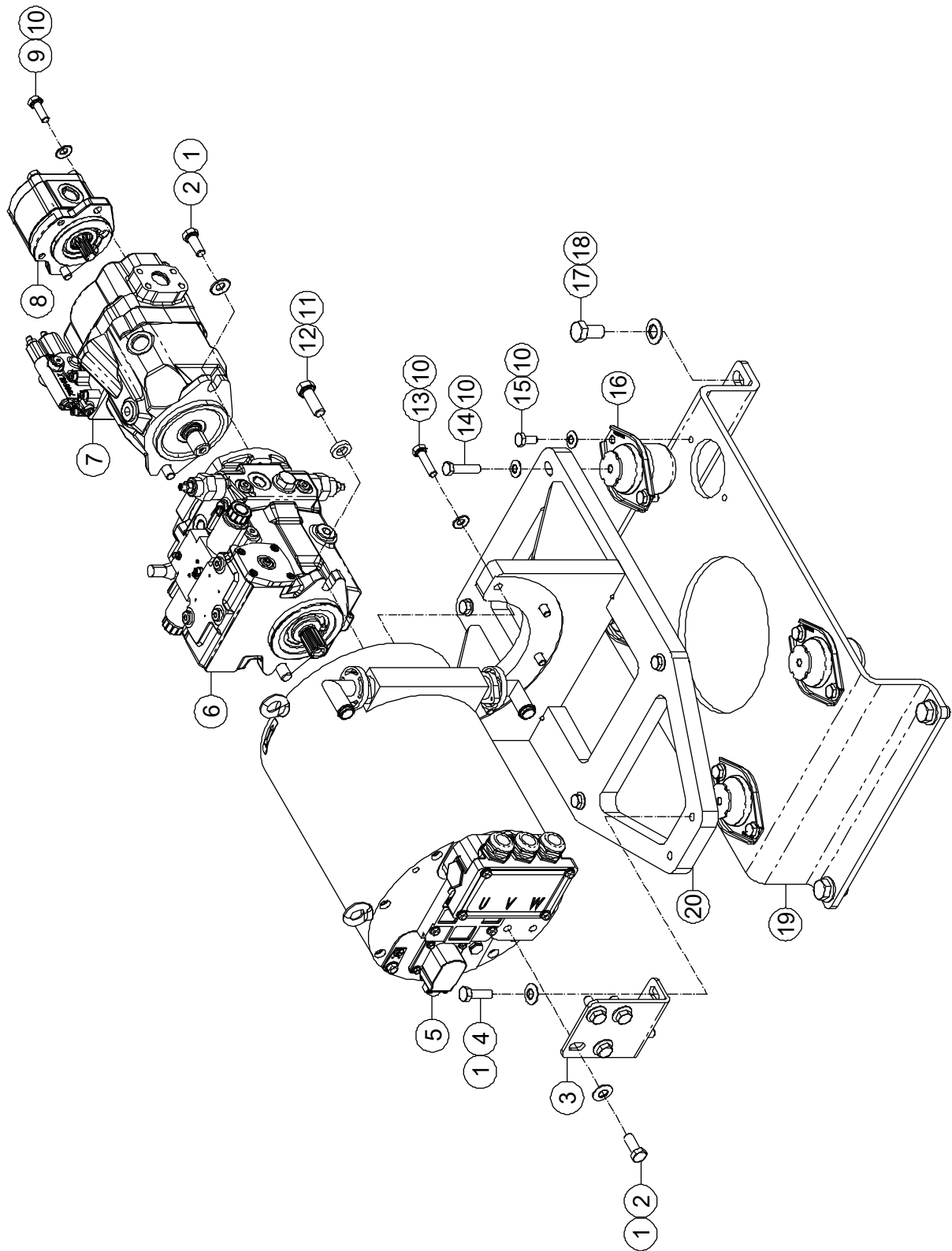
2-12 Hydraulic Cooling System Installations



2-12 Hydraulic Cooling System Installations

Item	Part Number	Description	Qty.	Remark
1	93000014	Spring Washer $\Phi 6.1$	6	
2	00000745	Bolt GB/T 5783 M6 \times 12	6	
3	93000127	Louver	1	
4	93000015	Spring Washer $\Phi 8.2$	22	
5	00001163	Nut GB/T 6182 M8	4	
6	93301054	Shim	2	
7	93301050	Shim	5	
8	93301049	Boom Pad	1	
9	00009804	Screw GB/T 70.3 M12 \times 75	4	
10	93000075	Support	1	
11	00000995	Bolt GB/T 5783 M8 \times 30	4	
12	00001063	Bolt GB/T 5783 M8 \times 16	4	
13	93000324	Hydraulic Cooling Assembly	1	
14	00000875	Bolt GB/T 5783 M8 \times 20	4	
15	93000520	Housing	1	
16	00000993	Bolt GB/T 5783 M8 \times 25	6	
17	93000017	Spring Washer $\Phi 12.4$	4	
18	00001249	Nut GB/T 6182 M12	4	

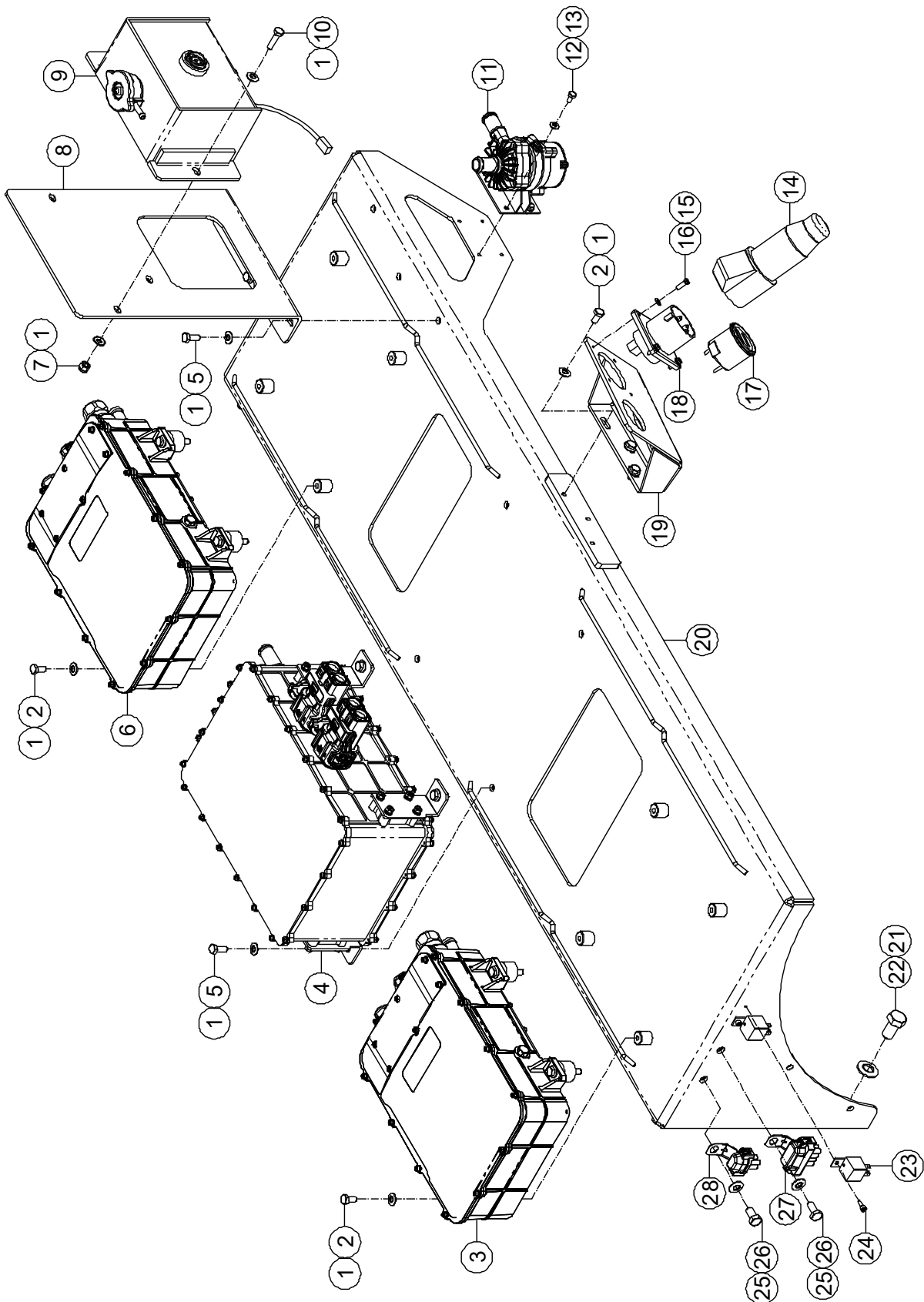
2-13 Pump Installations



2-13 Pump Installations

Item	Part Number	Description	Qty.	Remark
1	93000017	Spring Washer Φ 12.4	8	
2	00002059	Bolt GB/T 5783 M12 \times 30	6	
3	93000437	Bracket	1	
4	00002046	Bolt GB/T 5783 M12 \times 35	2	
5	93000432	Motor	1	
6	93200041	Drive Pump Assembly	1	
7	93200042	Function Pump Assembly	1	
8	93200043	Gear Pump Assembly	1	
9	00000683	Bolt GB/T 5783 M10 \times 30	2	
10	93000016	Spring Washer Φ 10.2	19	
11	93300873	Washer	2	
12	00002904	Bolt GB/T 5783 M14 \times 40	2	
13	00001041	Bolt GB/T 5783 M10 \times 40	5	
14	00002411	Bolt GB/T 5783 M10 \times 45	4	
15	00000674	Bolt GB/T 5783 M10 \times 20	8	
16	93301002	Rubber Mounting	4	
17	00002746	Bolt GB/T 5783 M16 \times 30	4	
18	93305316	Spring Washer Φ 16.4	4	
19	93000672	Bracket	1	
20	93000426	Support	1	

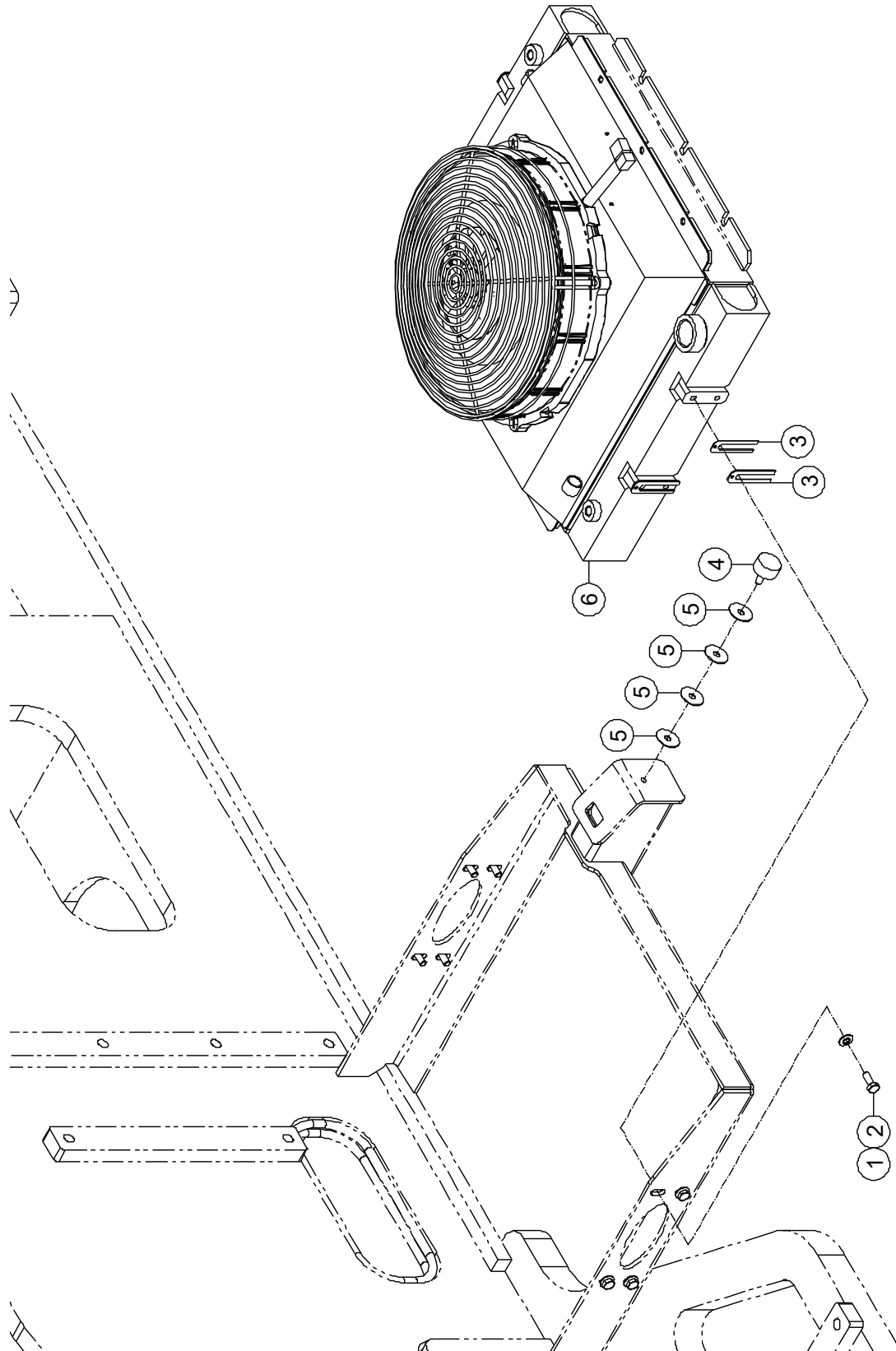
2-14 Motor Controller and Charger Installations



2-14 Motor Controller and Charger Installations

Item	Part Number	Description	Qty.	Remark
1	93000015	Spring Washer $\Phi 8.2$	24	
2	00001063	Bolt GB/T 5783 M8 \times 16	11	
3	93000433	Motor Controller	1	
4	93000431	Charger	1	
5	00000875	Bolt GB/T 5783 M8 \times 20	7	
6	00011249	Motor Controller	1	
7	00001163	Nut GB/T 6182 M8	3	
8	93000670	Bracket	1	
9	93000430	Container-Coolant Overflow	1	
10	00000995	Bolt GB/T 5783 M8 \times 30	3	
11	93000434	Coolant Pump	1	
12	00000745	Bolt GB/T 5783 M6 \times 12	4	
13	93000014	Spring Washer $\Phi 6.1$	4	
14	00008355	Socket (Red)	1	
15	93000013	Spring Washer $\Phi 5.1$	4	
16	00003949	Bolt GB/T 5783 M5 \times 16	4	
17	00010482	Battery Percent Display	1	
18	00008354	Plug (Red)	1	
19	93000735	Bracket	1	
20	93000667	Support	1	
21	93305316	Spring Washer $\Phi 16.4$	4	
22	00002746	Bolt GB/T 5783 M16 \times 30	4	
23	00005290	Relay	2	
24	00001252	Screw GB/T 70 M5 \times 12	2	
25	93000016	Spring Washer $\Phi 10.2$	2	
26	00000674	Bolt GB/T 5783 M10 \times 20	2	
27	00011248	4P Fuse Box Assembly	1	
28	00011247	2P Fuse Box Assembly	1	

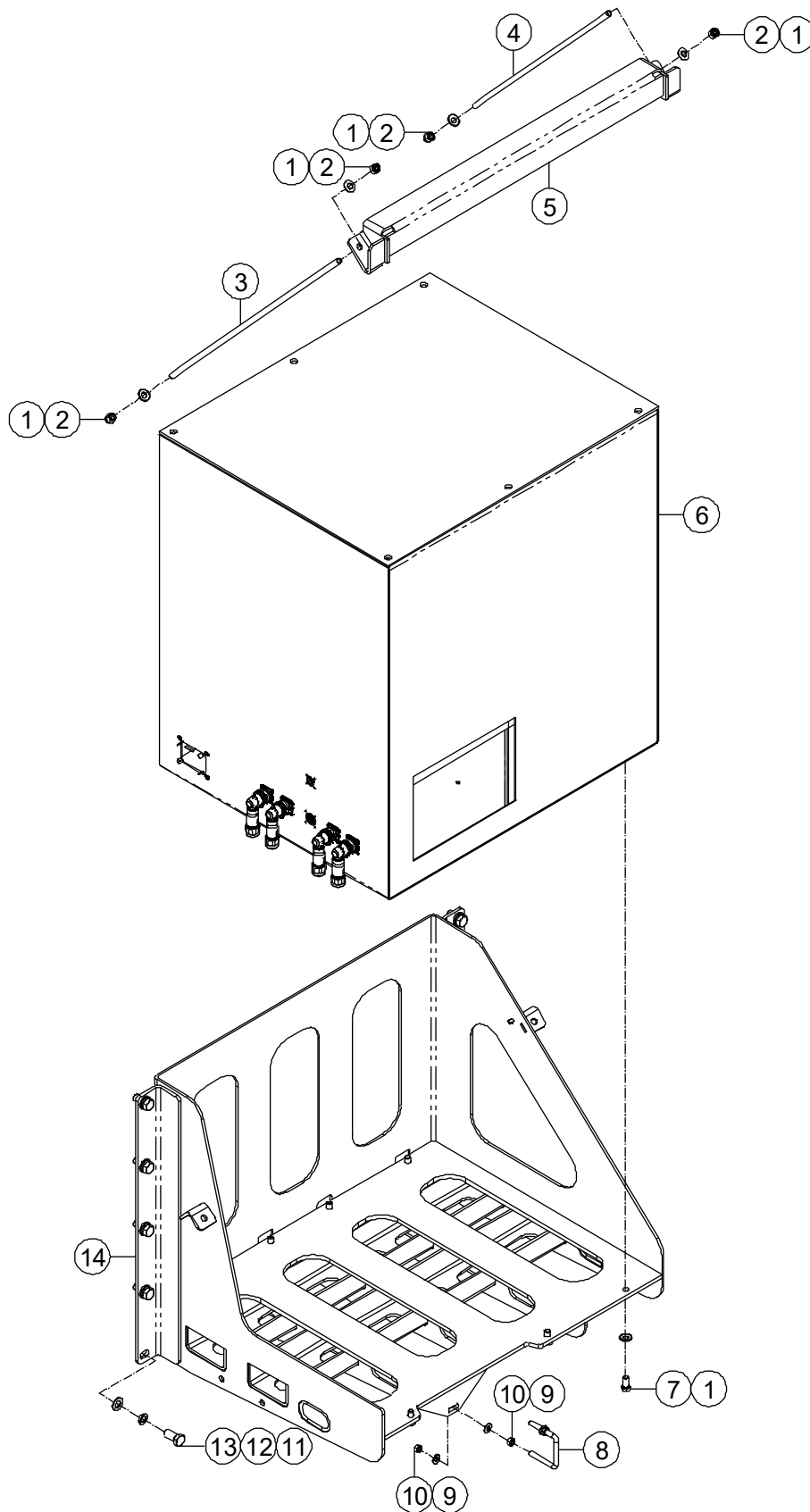
2-15 Radiator Installations



2-15 Radiator Installations

Item	Part Number	Description	Qty.	Remark
1	93000015	Spring Washer $\Phi 8.2$	8	
2	00000875	Bolt GB/T 5783 M8 \times 20	8	
3	93000764	Shim	8	
4	93303714	Rubber Mounting	1	
5	93000295	Shim	4	
6	00010782	Radiator	1	

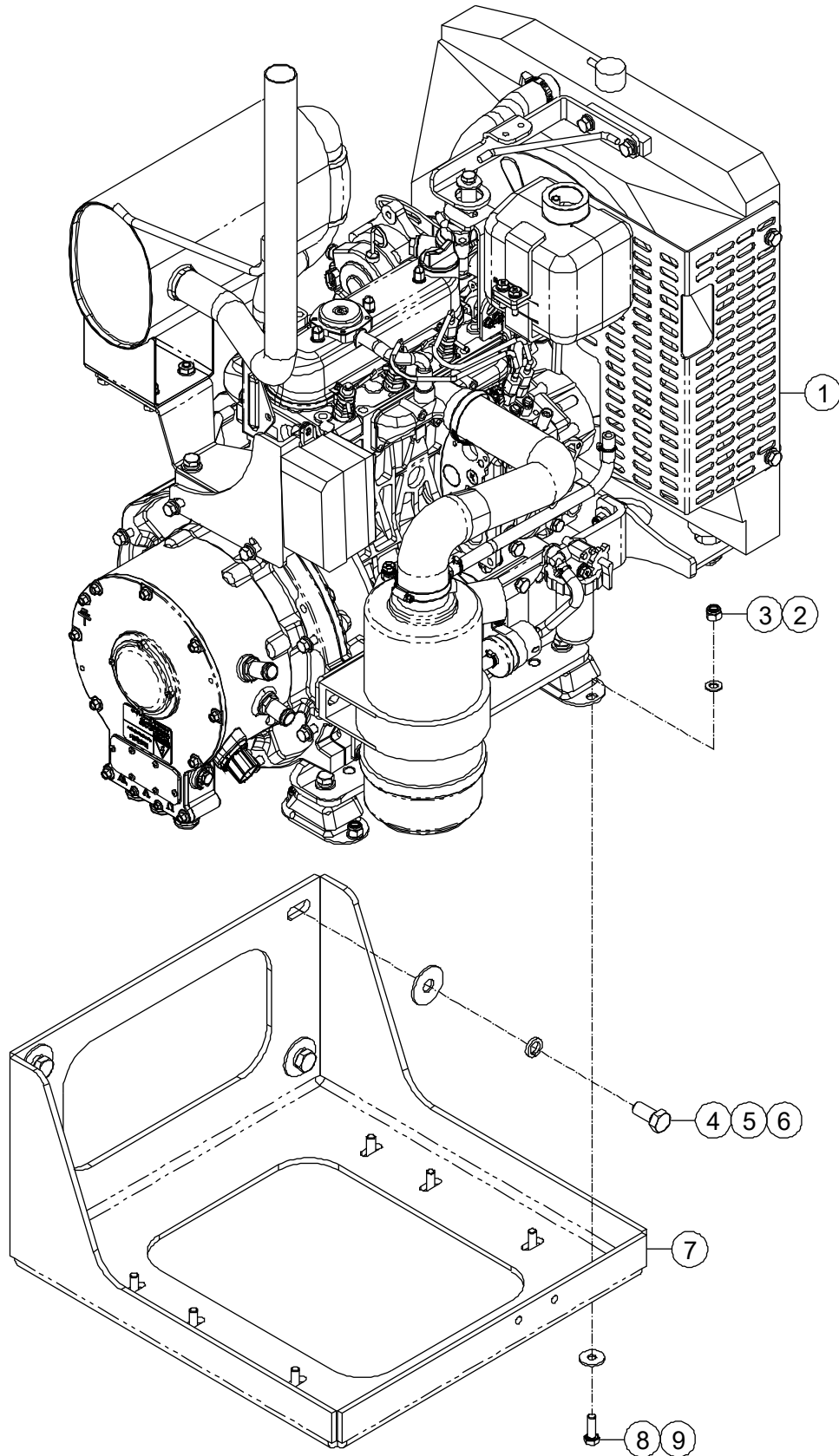
2-16 Battery Installations



2-16 Battery Installations

Item	Part Number	Description	Qty.	Remark
1	93000017	Spring Washer Φ 12.4	11	
2	00001249	Nut GB/T 6182 M12	4	
3	93000655	Threaded Rod	1	
4	93200422	Threaded Rod	1	
5	93000656	Retainer	1	
6	00010804	Battery	1	
7	00000816	Bolt GB/T 5783 M12 \times 25	7	
8	93000098	U-Bolt	1	
9	93000016	Spring Washer Φ 10.2	4	
10	00001999	Nut GB/T 6170 M10	4	
11	00000997	Flat Washer GB/T 97.1 16	9	
12	00001035	Spring Washer GB/T 93 16	9	
13	00009115	Bolt GB/T 5783 M16 \times 35	9	
14	93000657	Support	1	

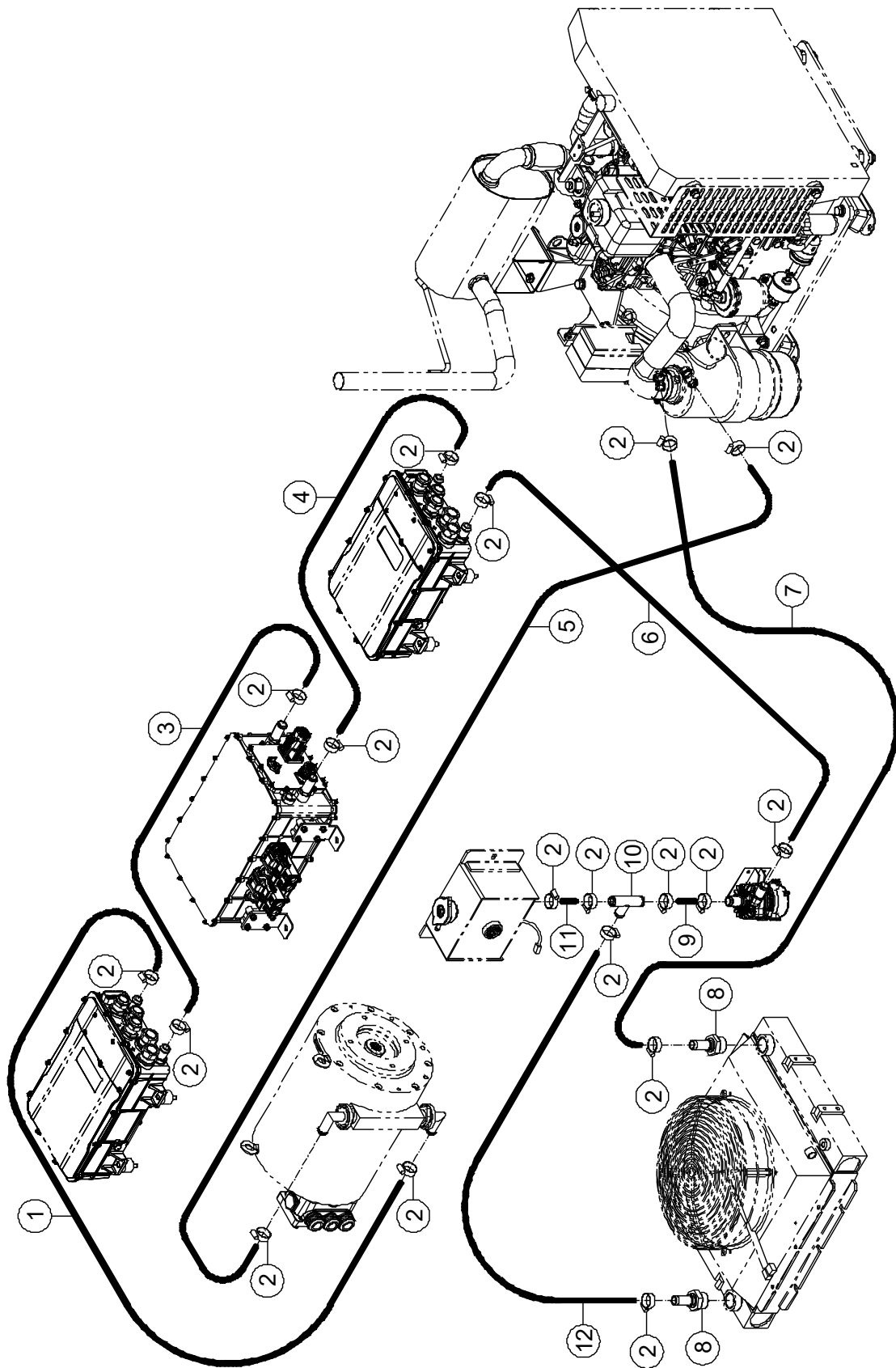
2-17 Generator Group Installations



2-17 Generator Group Installations

Item	Part Number	Description	Qty.	Remark
1	00010803	Generator group	1	
--	10002785	Engine	1	
--	00011459	Motor	1	
--	00011461	Radiator	1	
--	00011462	Rubber Mounting	1	
--	00011463	Air filter	1	
--	10003003	Oil-water separator	1	
--	00008610	Fuel Filter	1	
--	10003002	Fuel Filter	1	
--	10006345	Fuel pump	1	
--	10002789	Filter Cartridge	1	
2	00000615	Flat Washer GB/T 97.1 10	8	
3	00000623	Nut GB/T 6182 M10	8	
4	00009115	Bolt GB/T 5783 M16 × 35	4	
5	00001035	Spring Washer GB/T 93 16	4	
6	00003071	Flat Washer GB/T 96.1 16	4	
7	93000674	Bracket	1	
8	00000683	Bolt GB/T 5783 M10 × 30	8	
9	00001028	Flat Washer GB/T 96.1 10	8	

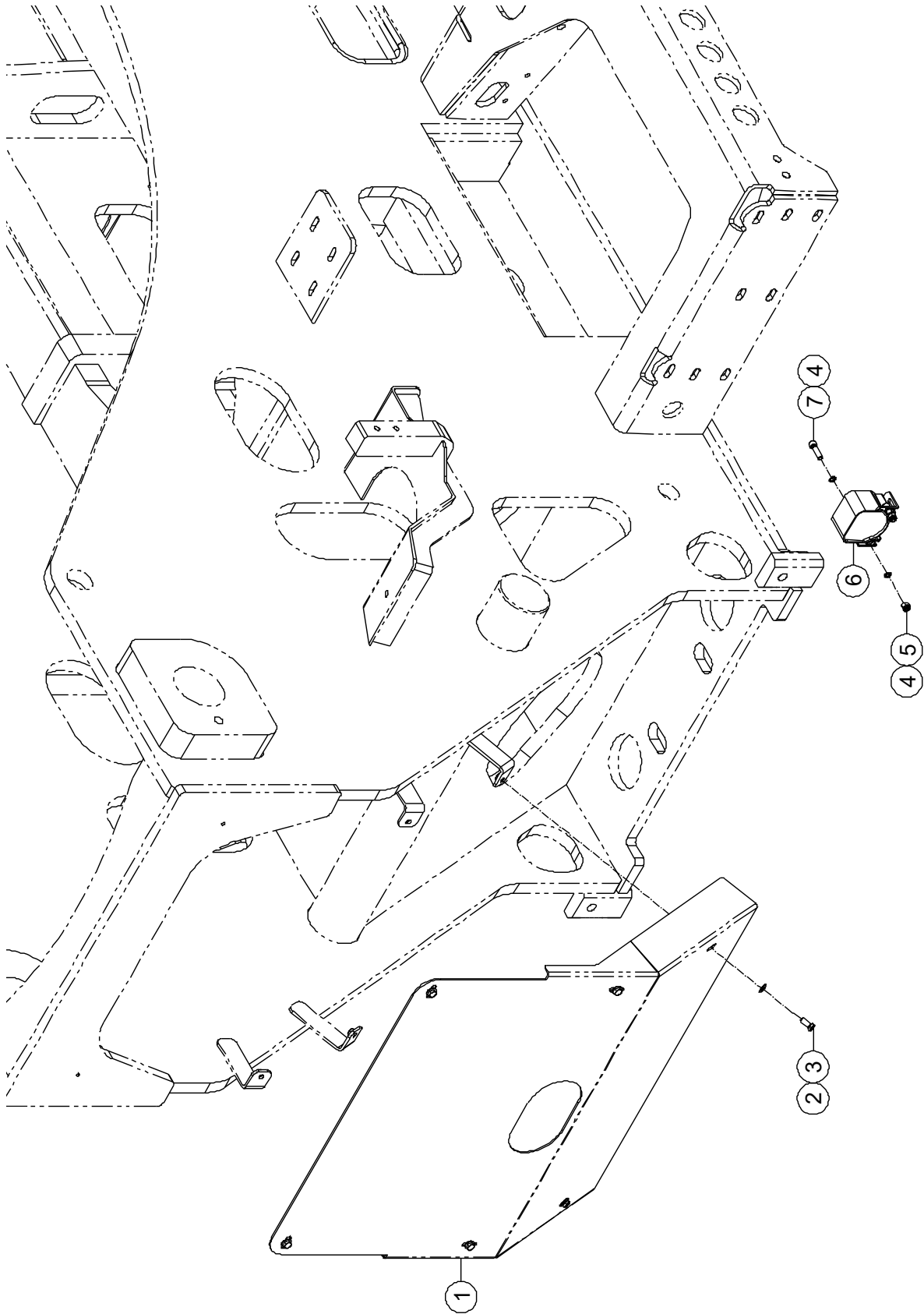
2-18 Cooling System Installations



2-18 Cooling System Installations

Item	Part Number	Description	Qty.	Remark
1	93000751	Hose	1	
2	93000382	Clamp	18	
3	93000750	Hose	1	
4	93000749	Hose	1	
5	93000752	Hose	1	
6	93000748	Hose	1	
7	93000753	Hose	1	
8	93300974	Fitting	2	
9	93000746	Hose	1	
10	93000489	Fitting, Tee	1	
11	93000745	Hose	1	
12	93000747	Hose	1	

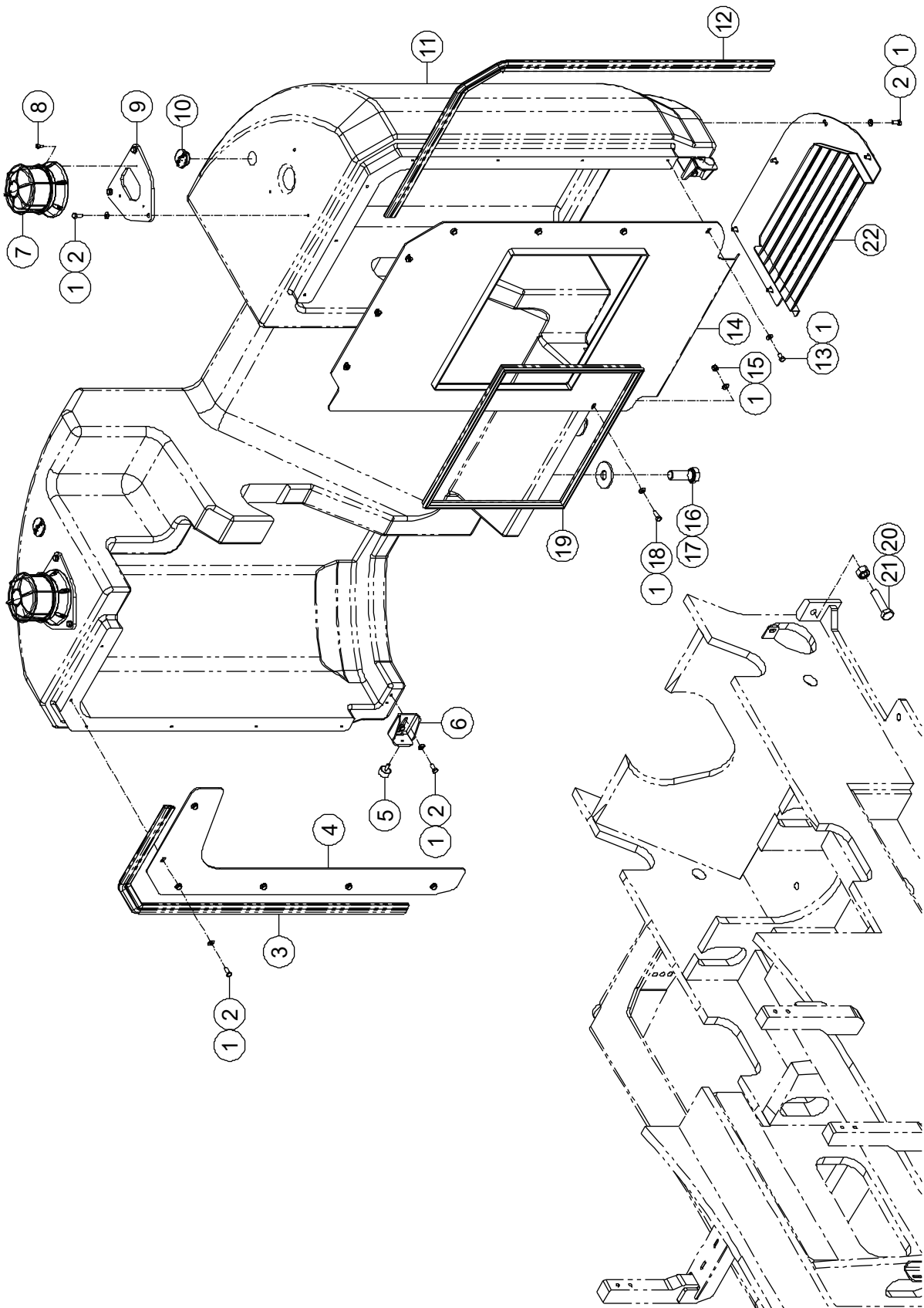
2-19 Turntable Accessories Installations 1



2-19 Turntable Accessories Installations 1

Item	Part Number	Description	Qty.	Remark
1	93300729	Cover	1	
2	93000015	Spring Washer $\Phi 8.2$	6	
3	00000875	Bolt GB/T 5783 M8 \times 20	6	
4	93305785	Spring Washer $\Phi 8.2$	4	
5	00001163	Nut GB/T 6182 M8	2	
6	00004438	Alarm	1	
7	00002560	Screw GB/T 70 M8 \times 30	2	

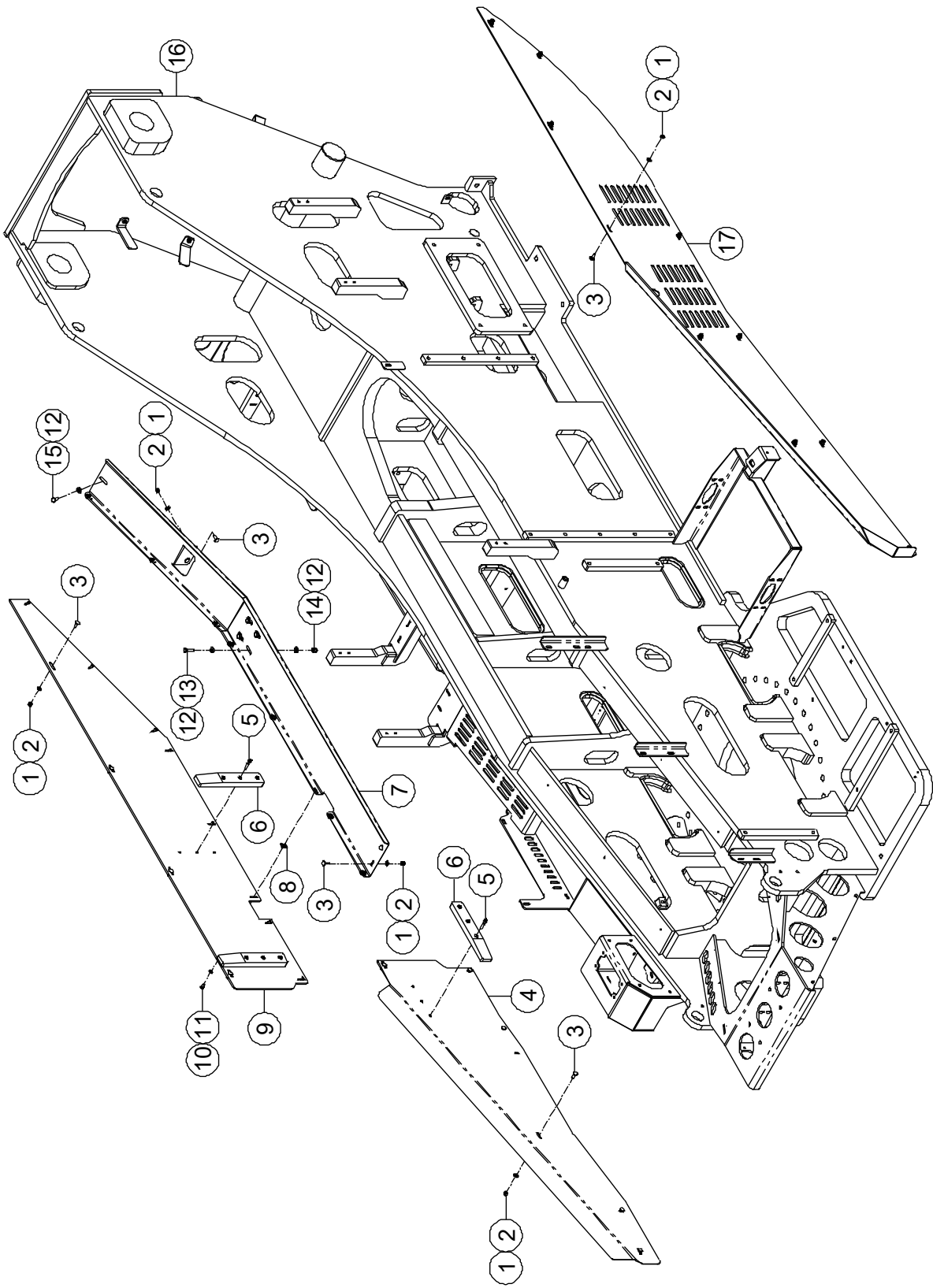
2-20 Counterweight Installations



2-20 Counterweight Installations

Item	Part Number	Description	Qty.	Remark
1	93000015	Spring Washer $\Phi 8.2$	30	
2	00000875	Bolt GB/T 5783 M8 \times 20	21	
3	93200374	Seal	1	
4	93300932	Housing	1	
5	93303714	Rubber Mounting	2	
6	93300691	Bracket	2	
7	00004757	Beacon	2	
8	00002029	Screw GB/T 70 M6 \times 12	6	
9	93300931	Plate	2	
10	10014561	Plug	2	
11	93300998	Counterweight	1	BT44HRT
	93300999	Counterweight	1	BT41HRT
	93300997	Counterweight	1	BT36HRT
12	93200344	Seal	1	
13	00001063	Bolt GB/T 5783 M8 \times 16	7	
14	93000738	Baffle	1	
15	00001163	Nut GB/T 6182 M8	1	
16	00009866	Bolt GB/T 5783 M24 \times 70	2	
17	00001152	Flat Washer GB/T 96.1 24	2	
18	00000993	Bolt GB/T 5783 M8 \times 25	1	
19	93000744	Seal	1	
20	00002272	Nut GB/T 6170 M20	2	
21	00003875	Bolt GB/T 5783 M20 \times 80	2	
22	93000523	Baffle	1	

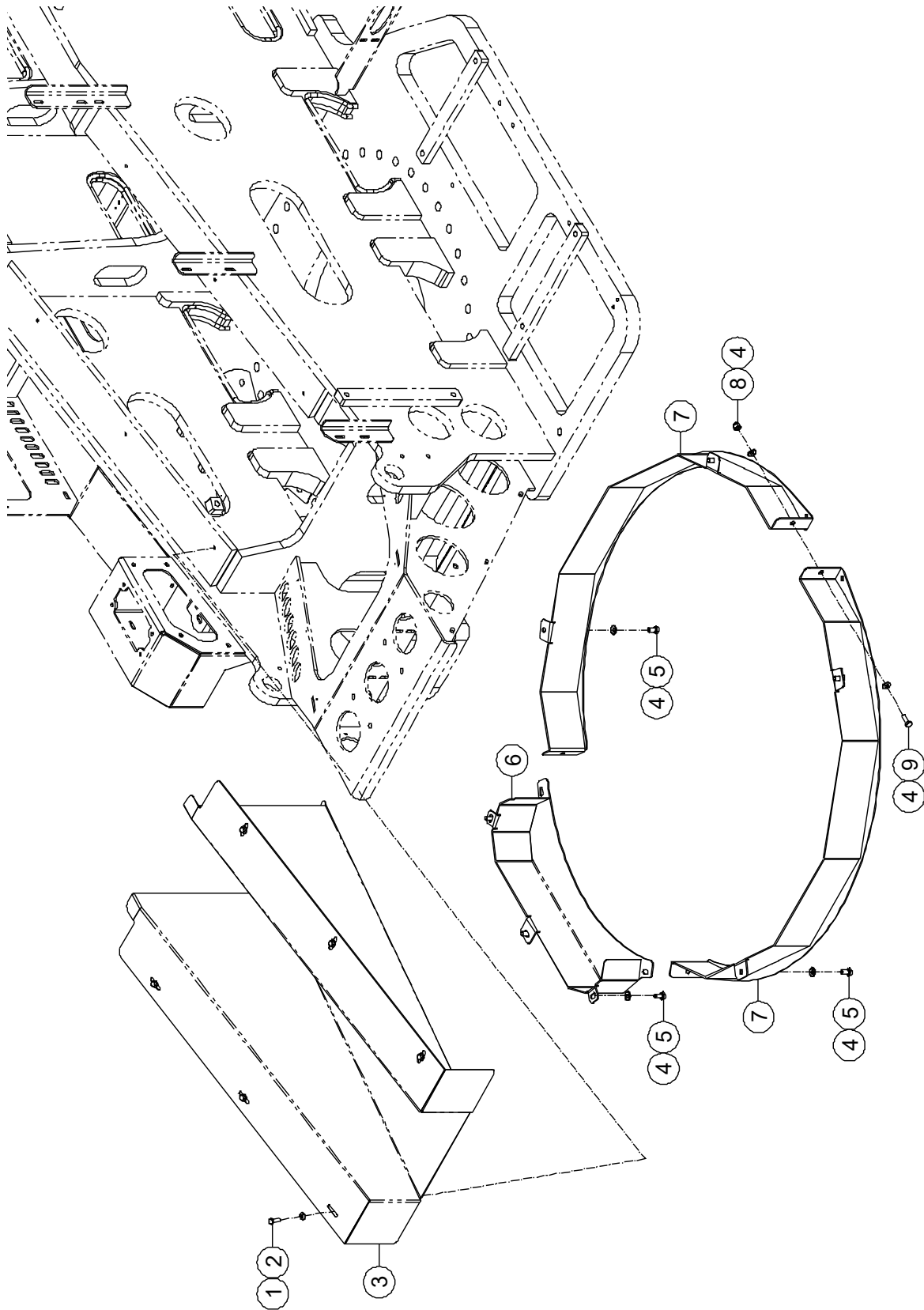
2-21 Cover Installations



2-21 Cover Installations

Item	Part Number	Description	Qty.	Remark
1	93000015	Spring Washer $\Phi 8.2$	34	
2	00001163	Nut GB/T 6182 M8	34	
3	00009807	Bolt GB/T 14 M8 \times 25	25	
4	93300906	Cover	1	
5	00002062	Screw GB/T 70 M8 \times 35	9	
6	93000117	Guide Plate	3	
7	93000119	Cover	1	
8	50000112	Nut QC/T 885 M6	8	
9	93000120	Cover	1	
10	93000014	Spring Washer $\Phi 6.1$	8	
11	00000818	Bolt GB/T 5783 M6 \times 16	8	
12	93000016	Spring Washer $\Phi 10.2$	9	
13	00000684	Bolt GB/T 5783 M10 \times 35	4	
14	00000623	Nut GB/T 6182 M10	4	
15	00000674	Bolt GB/T 5783 M10 \times 20	1	
16	93000650	Turntable	1	
17	93000730	Cover	1	

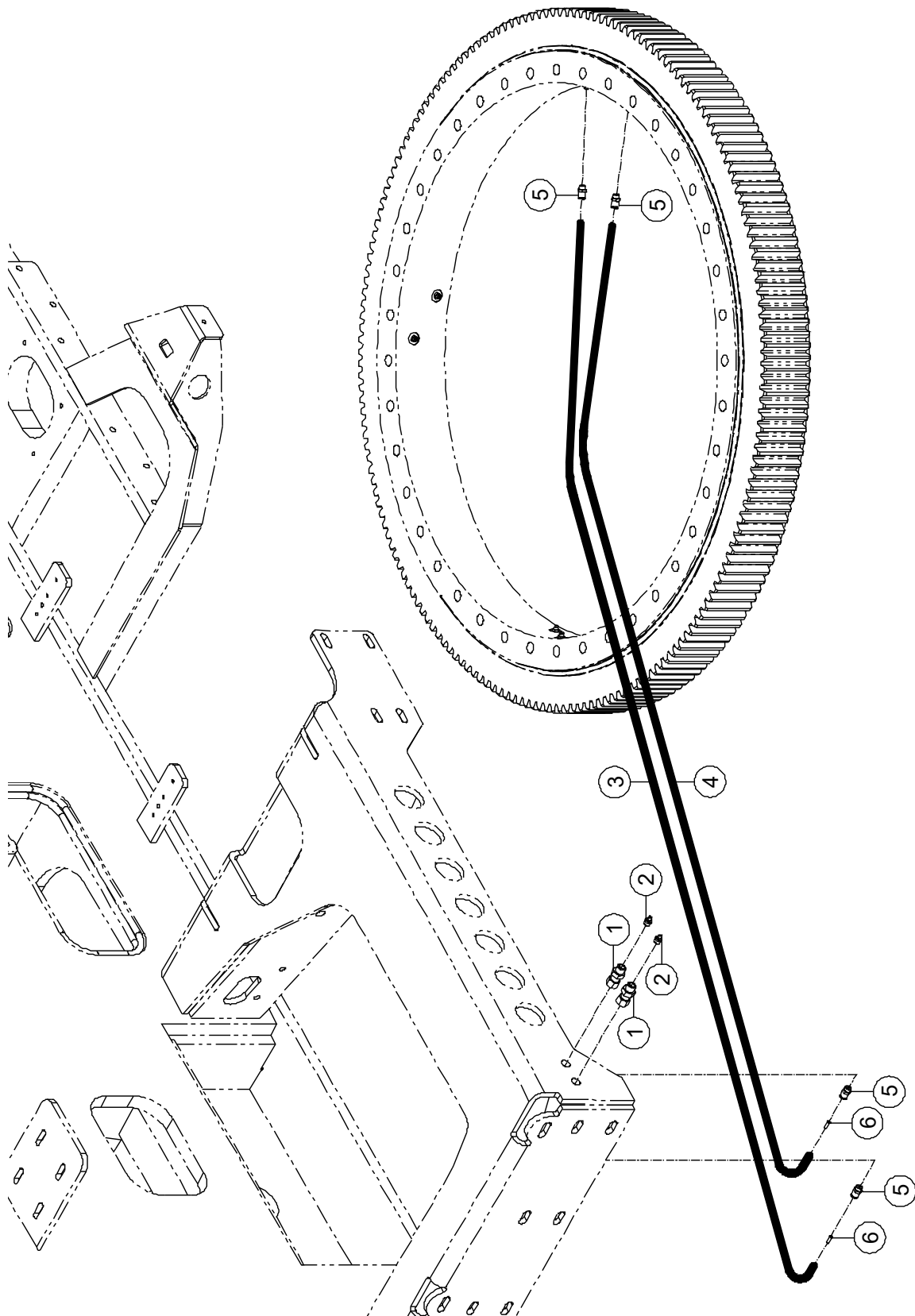
2-22 Housing Installations



2-22 Housing Installations

Item	Part Number	Description	Qty.	Remark
1	93000015	Spring Washer Φ 8.2	6	
2	00000993	Bolt GB/T 5783 M8 \times 25	6	
3	93000576	Housing	1	
4	93000016	Spring Washer Φ 10.2	9	
5	00000674	Bolt GB/T 5783 M10 \times 20	7	
6	93300687	Housing	1	
7	93200257	Housing	2	
8	00000623	Nut GB/T 6182 M10	1	
9	00000678	Bolt GB/T 5783 M10 \times 25	1	

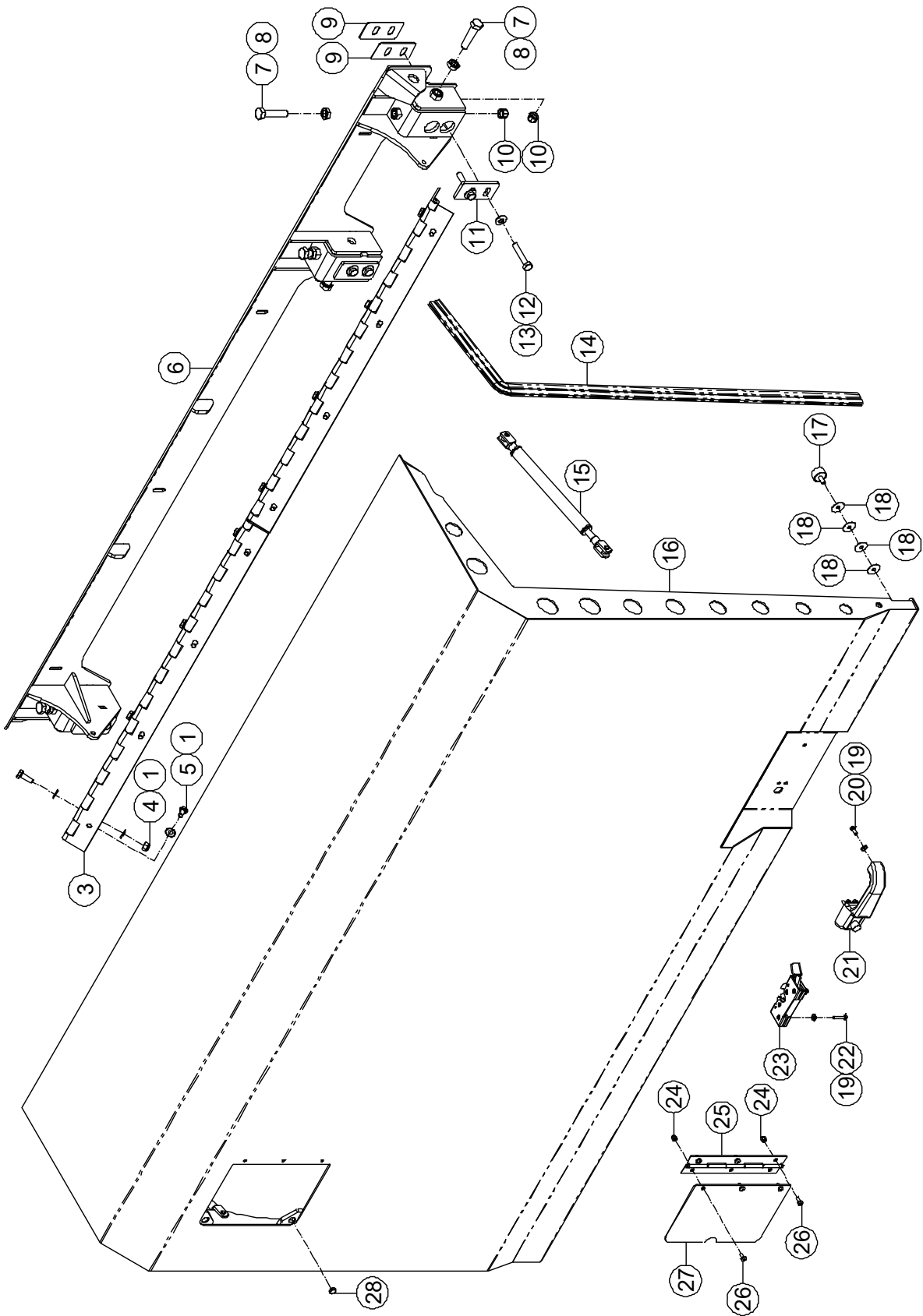
2-23 Grease System Installations



2-23 Grease System Installations

Item	Part Number	Description	Qty.	Remark
1	93000115	Fitting	2	
2	93300962	Grease Nipple	2	
3	93000288	Hose	1	
4	93300387	Hose	1	
5	93300963	Fitting	4	
6	93300964	Brass Sleeve	4	

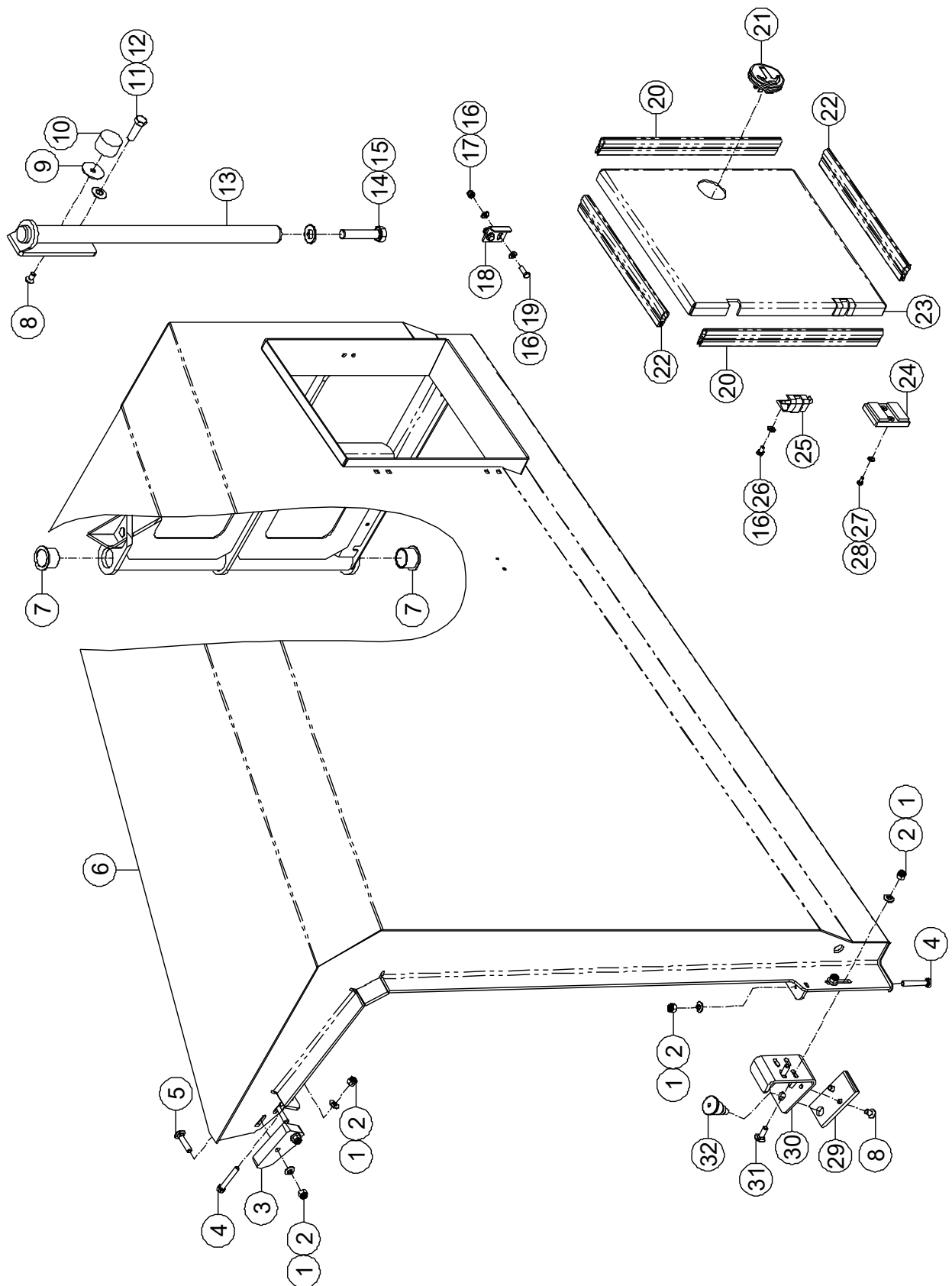
2-24 Turntable Hood Installations 1



2-24 Turntable Hood Installations 1

Item	Part Number	Description	Qty.	Remark
1	93000016	Spring Washer Φ 10.2	24	
2	00000683	Bolt GB/T 5783 M10 \times 30	8	
3	93300697	Hinge	2	
4	00000623	Nut GB/T 6182 M10	8	
5	00000674	Bolt GB/T 5783 M10 \times 20	8	
6	93200270	Bracket	1	
7	00002463	Bolt GB/T 5783 M16 \times 65	5	
8	00002611	Nut GB/T 6172.1 M16	5	
9	93000568	Shim	6	
10	93300698	Screw Cap	5	
11	93300701	Shim	3	
12	00002516	Bolt GB/T 5783 M12 \times 65	6	
13	93000017	Spring Washer Φ 12.4	6	
14	93200372	Seal	1	
15	93200278	Spring, Gas	2	
16	93000708	Turntable Hood (Right Rear)	1	
17	93303714	Rubber Mounting	1	
18	93000295	Shim	4	
19	93000014	Spring Washer Φ 6.1	7	
20	00000818	Bolt GB/T 5783 M6 \times 16	3	
21	50000524	Doorknob	1	
22	00000775	Bolt GB/T 5783 M6 \times 30	4	
23	10000481	Lock	1	
24	00001033	Nut GB/T 6182 M6	6	
25	10002660	Hinge	1	
26	00001231	Screw GB/T 818 M6 \times 14 - H	6	
27	10010265	Control door plate	1	
28	10002550	Magnet	2	

2-25 Turntable Hood Installations 2



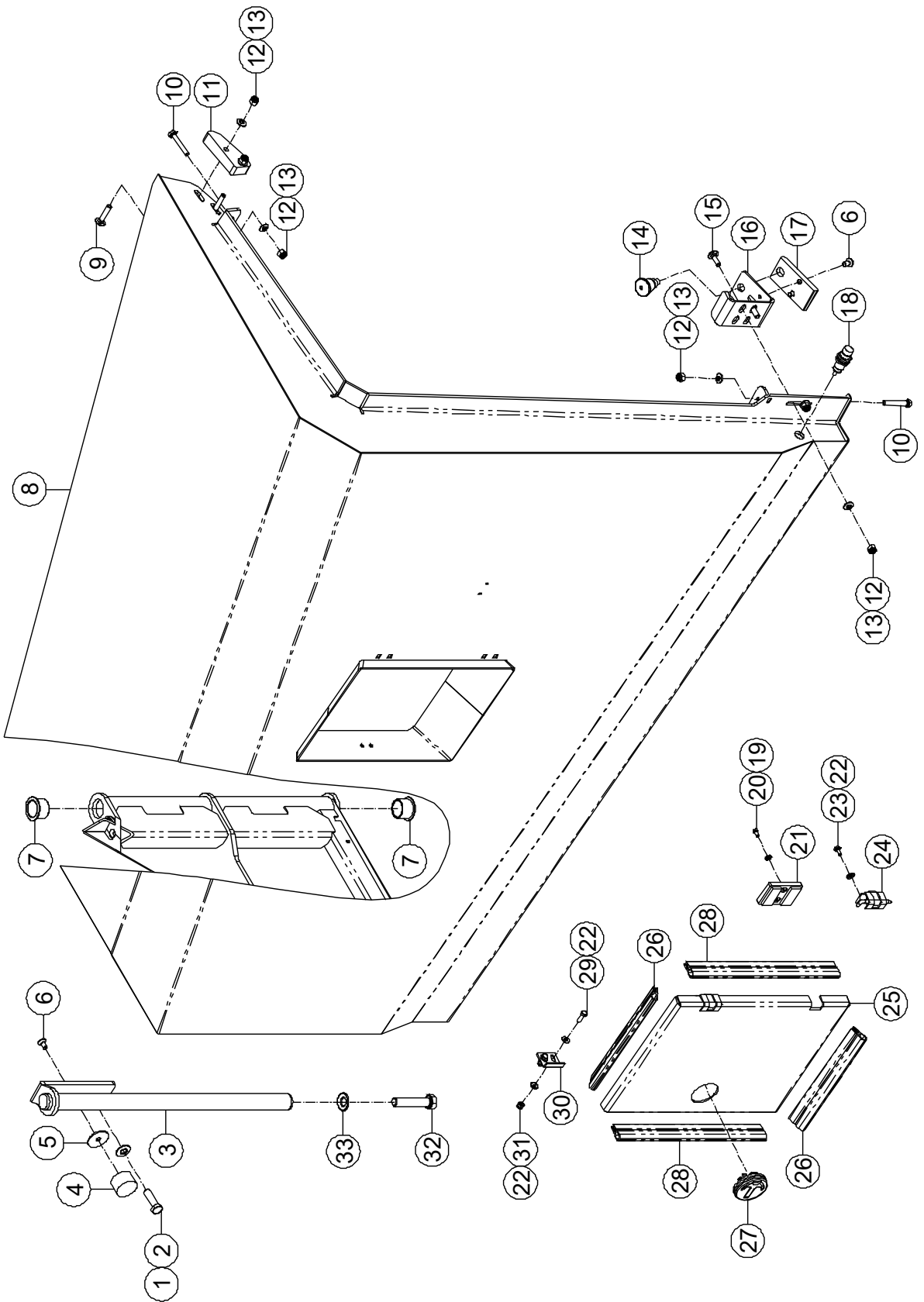
2-25 Turntable Hood Installations 2

Item	Part Number	Description	Qty.	Remark
1	93000015	Spring Washer Φ 8.2	6	
2	00001163	Nut GB/T 6182 M8	6	
3	93300917	Space	1	
4	00003607	Bolt GB/T 5783 M8 \times 50	2	
5	00009813	Bolt GB/T 14 M8 \times 40	2	
6	93200052	Turntable Hood (Right Front)	1	
7	00005022	8822-3025 Sleeve Bearing	2	
8	00000837	Screw GB/T 70.3 M8 \times 16	3	
9	93000296	Shim	1	
10	93300919	Rubber Mounting	1	
11	00001055	Bolt GB/T 5783 M12 \times 40	2	
12	93000017	Spring Washer Φ 12.4	2	
13	93200367	Pin	1	
14	00008732	Bolt GB/T 5783 M16 \times 75	1	
15	93305316	Spring Washer Φ 16.4	1	
16	93000014	Spring Washer Φ 6.1	8	
17	00000743	Bolt GB/T 5783 M6 \times 20	2	
18	93300941	Support	1	
19	00001033	Nut GB/T 6182 M6	2	
20	93200514	Seal	2	
21	93300934	Lock	1	
22	93200513	Seal	2	
23	93300923	Housing	1	
24	93300938	Magnet	1	
25	93300935	Hinge	2	
26	00000745	Bolt GB/T 5783 M6 \times 12	4	
27	00002406	Bolt GB/T 5783 M5 \times 10	2	
28	93000013	Spring Washer Φ 5.1	2	
29	93300916	Space	1	

2-25 Turntable Hood Installations 2 (Continued)

Item	Part Number	Description	Qty.	Remark
30	93200360	Bracket	1	
31	00009807	Bolt GB/T 14 M8×25	2	
32	93300918	Plunger Pin	1	

2-26 Turntable Hood Installations 3



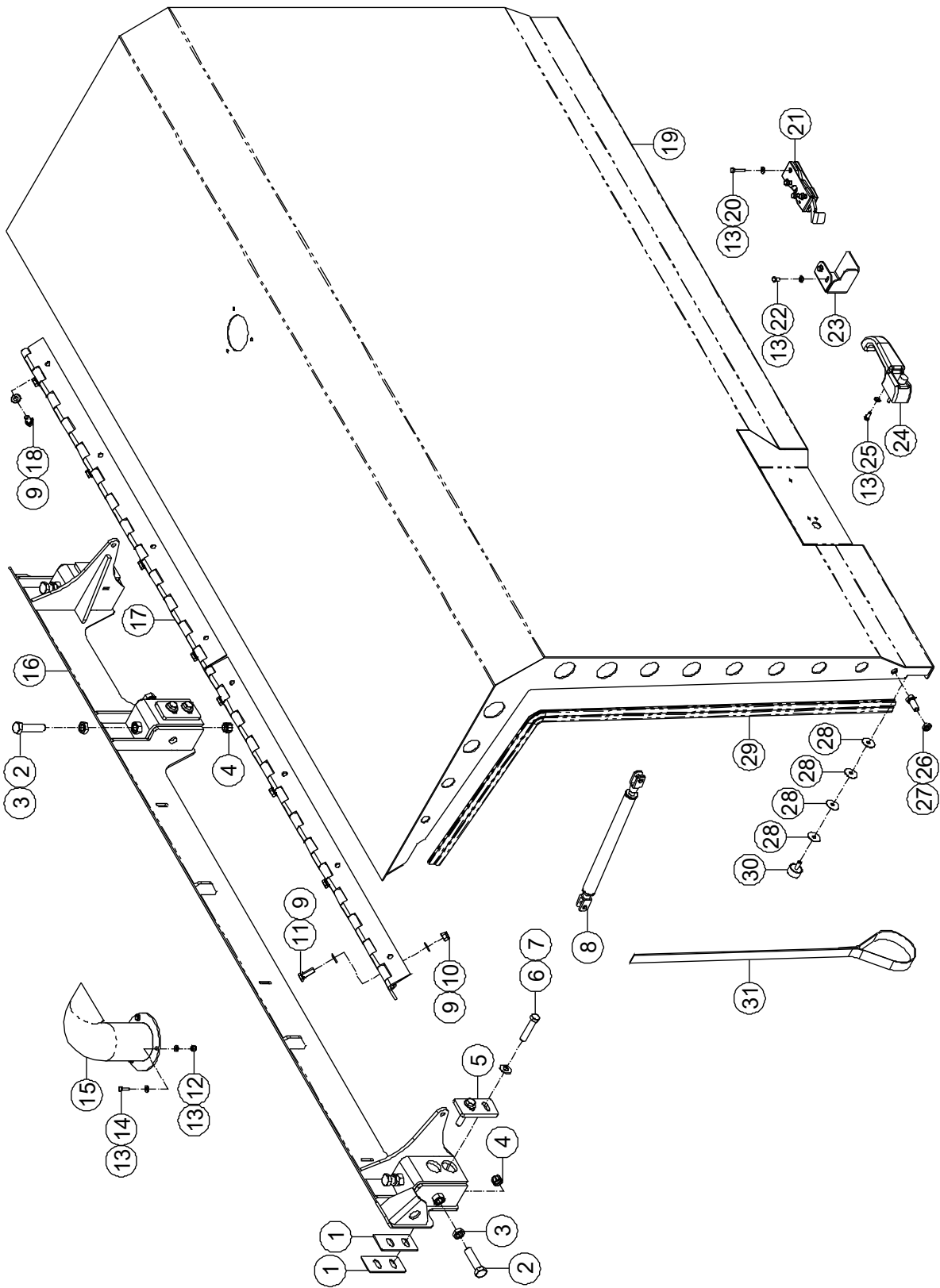
2-26 Turntable Hood Installations 3

Item	Part Number	Description	Qty.	Remark
1	93000017	Spring Washer Φ 12.4	2	
2	00001055	Bolt GB/T 5783 M12 \times 40	2	
3	93200362	Pin	1	
4	93300919	Rubber Mounting	1	
5	93000296	Shim	1	
6	00000837	Screw GB/T 70.3 M8 \times 16	3	
7	00005022	8822-3025 Sleeve Bearing	2	
8	93200050	Turntable Hood (Left Front)	1	
9	00009813	Bolt GB/T 14 M8 \times 40	2	
10	00003607	Bolt GB/T 5783 M8 \times 50	2	
11	93300917	Space	1	
12	00001163	Nut GB/T 6182 M8	6	
13	93000015	Spring Washer Φ 8.2	6	
14	93300918	Plunger Pin	1	
15	00009807	Bolt GB/T 14 M8 \times 25	2	
16	93200360	Bracket	1	
17	93300916	Space	1	
18	00006642	Proximity Switch	1	
19	93000013	Spring Washer Φ 5.1	2	
20	00002406	Bolt GB/T 5783 M5 \times 10	2	
21	93300938	Magnet	1	
22	93000014	Spring Washer Φ 6.1	8	
23	00000745	Bolt GB/T 5783 M6 \times 12	4	
24	93300935	Hinge	2	
25	93300930	Housing	1	
26	93200512	Seal	2	
27	93300934	Lock	1	
28	93200511	Seal	2	
29	00000743	Bolt GB/T 5783 M6 \times 20	2	

2-26 Turntable Hood Installations 3 (Continued)

Item	Part Number	Description	Qty.	Remark
30	93300941	Support	1	
31	00001033	Nut GB/T 6182 M6	2	
32	00008732	Bolt GB/T 5783 M16 × 75	1	
33	93305316	Spring Washer Φ16.4	1	

2-27 Turntable Hood Installations 4



2-27 Turntable Hood Installations 4

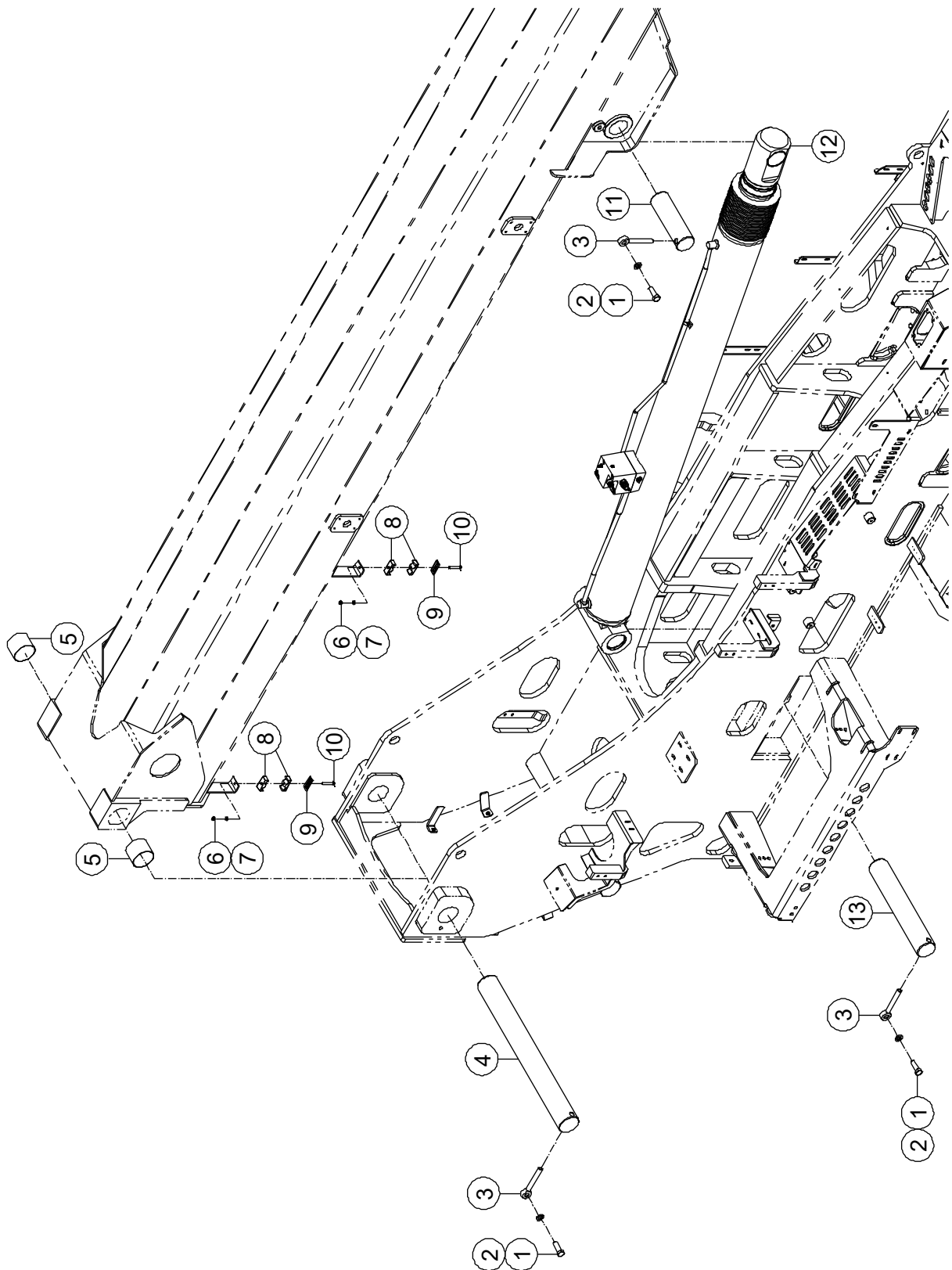
Item	Part Number	Description	Qty.	Remark
1	93000568	Shim	6	
2	00002463	Bolt GB/T 5783 M16 × 65	5	
3	00002611	Nut GB/T 6172.1 M16	5	
4	93300698	Screw Cap	5	
5	93300701	Shim	3	
6	00002516	Bolt GB/T 5783 M12 × 65	6	
7	93000017	Spring Washer Φ12.4	6	
8	93300700	Spring, Gas	2	
9	93000016	Spring Washer Φ10.2	17	
10	00000623	Nut GB/T 6182 M10	8	
11	00000683	Bolt GB/T 5783 M10 × 30	8	
12	00001033	Nut GB/T 6182 M6	3	
13	93000014	Spring Washer Φ6.1	15	
14	00000743	Bolt GB/T 5783 M6 × 20	3	
15	50001512	Exhaust Tube	1	
16	93000716	Bracket	1	
17	93300697	Hinge	2	
18	00000674	Bolt GB/T 5783 M10 × 20	1	
19	93000718	Turntable Hood (Left Rear)	1	
20	00000775	Bolt GB/T 5783 M6 × 30	4	
21	10000481	Lock	1	
22	00000745	Bolt GB/T 5783 M6 × 12	2	
23	93300920	Housing	1	
24	50000524	Doorknob	1	
25	00000818	Bolt GB/T 5783 M6 × 16	3	
26	00003122	Nut GB/T 6172.1 M12	1	
27	00002059	Bolt GB/T 5783 M12 × 30	1	
28	93000295	Shim	4	
29	93200373	Seal	1	

2-27 Turntable Hood Installations 4 (Continued)

Item	Part Number	Description	Qty.	Remark
30	93303714	Rubber Mounting	1	
31	93000794	Tie	1	

Section 3 Boom

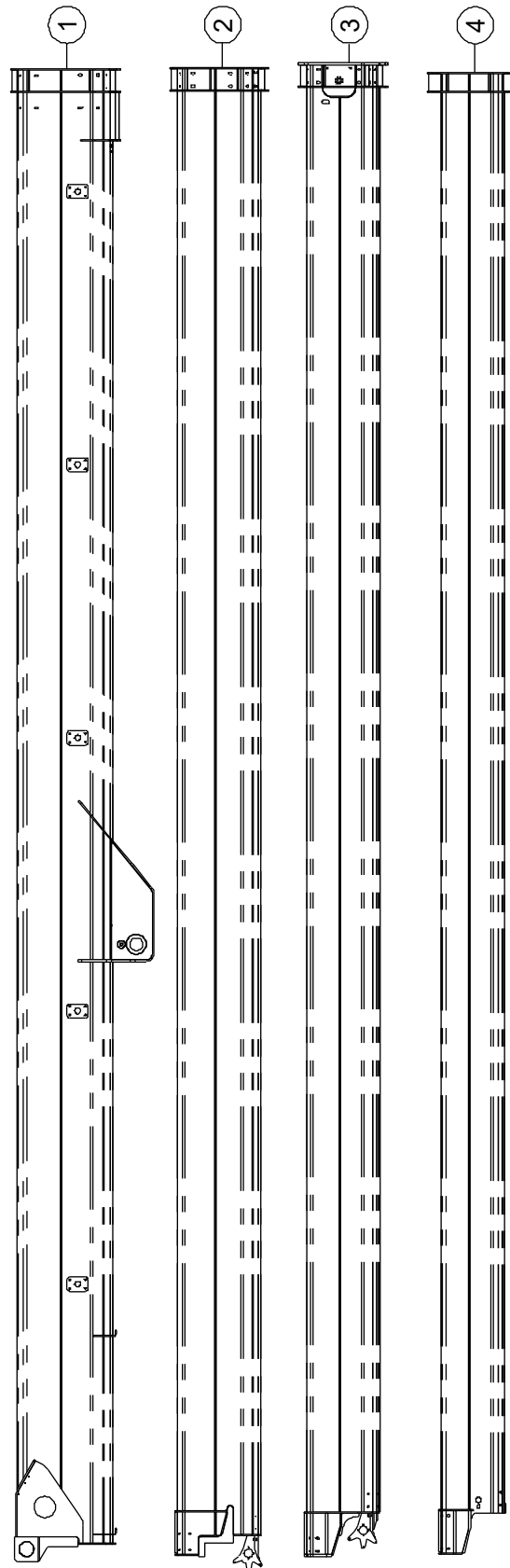
3-1 Lifting Cylinder Assembly and Boom Installations



3-1 Lifting Cylinder Assembly and Boom Installations

Item	Part Number	Description	Qty.	Remark
1	00006443	Bolt GB/T 5783 M20 × 60	3	
2	00001103	Flat Washe 20 JB/ZQ 4080-2006	3	
3	00000225	8902-20160 Pin, Lock	3	
4	93300723	Pin, Pivot	1	
5	93300078	8813-10010580 Sleeve Bearing	2	
6	00001163	Nut GB/T 6182 M8	1	
7	93000015	Spring Washer Φ8.2	1	
8	92002826	Clamp	2	
9	92013750	Spacer	1	
10	00001851	Bolt GB/T 5783 M8 × 60	1	
11	93300725	Pin, Pivot	1	
12		Lifting Cylinder Assembly (<i>Refer to 5-3</i>)	1	
13	93300724	Pin, Pivot	1	

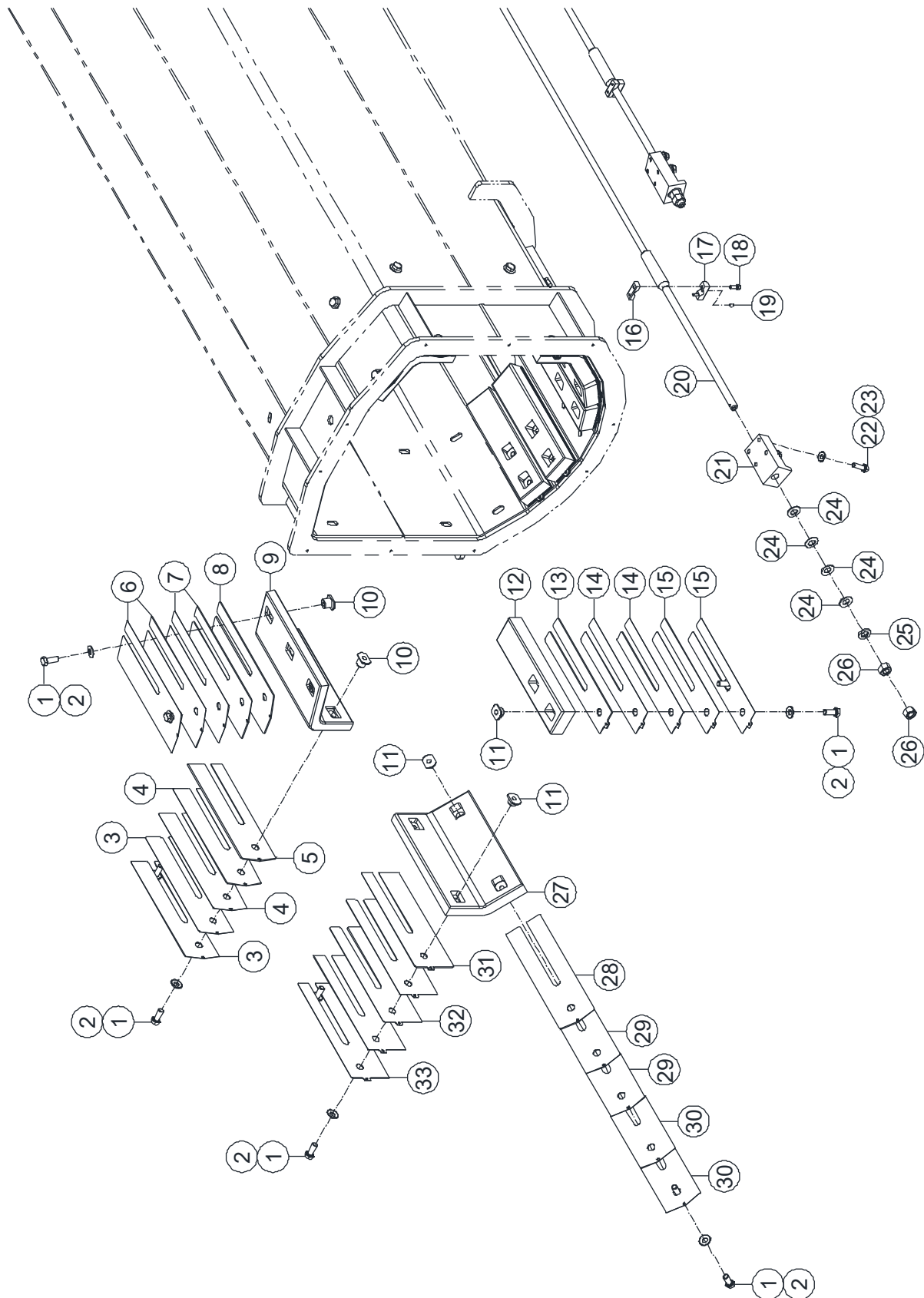
3-2 Telescopic Boom



3-2 Telescopic Boom

Item	Part Number	Description	Qty.	Remark
1	93200028	Base Boom	1	BT44HRT BT36HRT
	93200414	Base Boom	1	BT41HRT
2	93200027	Second Boom	1	BT44HRT BT36HRT
	93200411	Second Boom	1	BT41HRT
3	93200026	Third Boom	1	BT44HRT BT36HRT
	93200409	Third Boom	1	BT41HRT
4	93200025	Fourth Boom	1	BT44HRT
	93200407	Fourth Boom	1	BT41HRT

3-3 Base Boom Sliding Block Installations



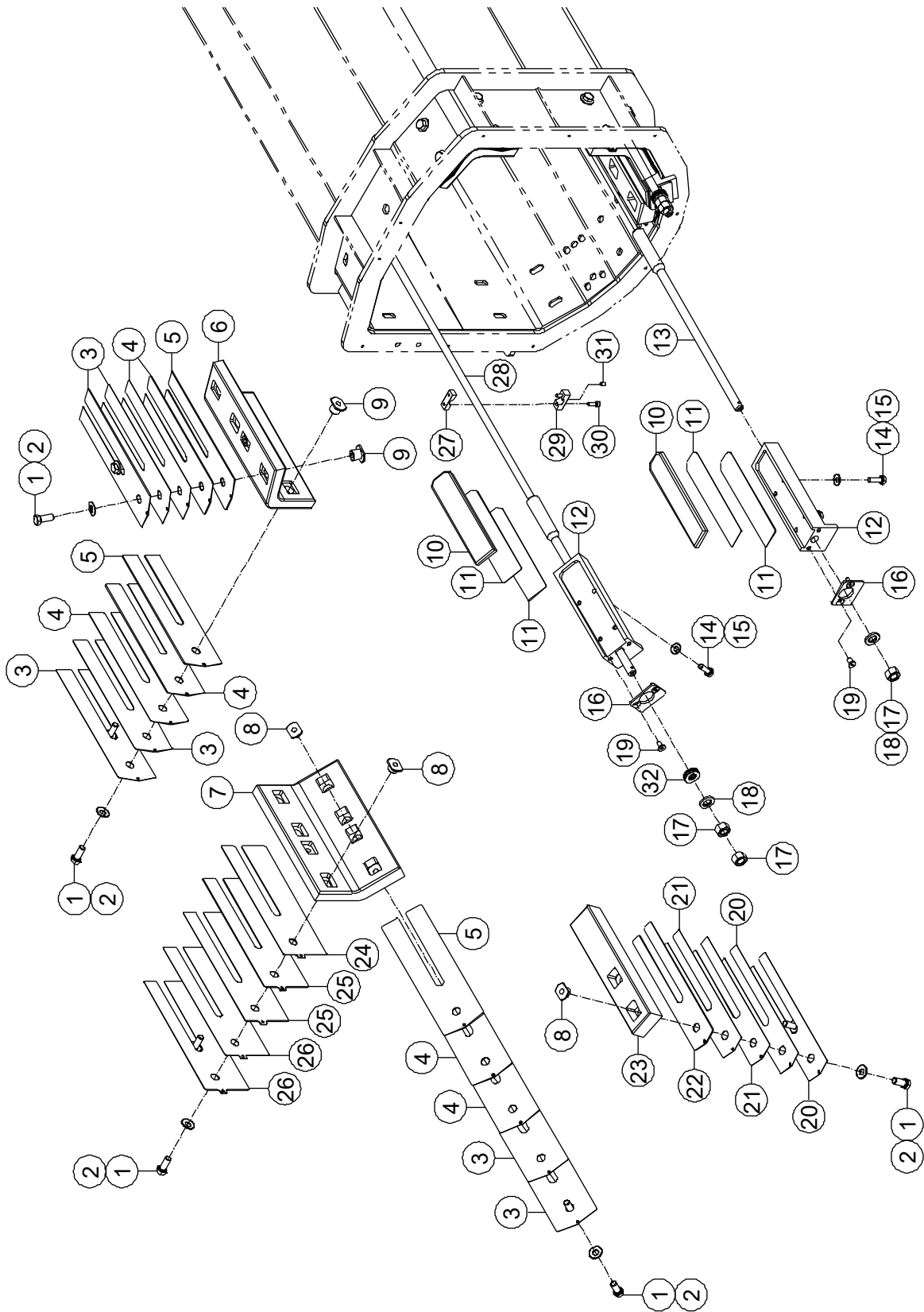
3-3 Base Boom Sliding Block Installations

Item	Part Number	Description	Qty.	Remark
1	00002059	Bolt GB/T 5783 M12 × 30	26	
2	93000017	Spring Washer Φ12.4	26	
3	93300180	Shim	4	
4	93300181	Shim	4	
5	93300182	Shim	2	
6	93300225	Shim	4	
7	93300226	Shim	4	
8	93300227	Shim	2	
9	93300087	Sliding Block	2	
10	93300760	Insert	8	
11	93300158	Insert	18	
12	93300086	Sliding Block	5	
13	93300203	Shim	5	
14	93300202	Shim	10	
15	93300201	Shim	10	
16	93300334	Plate	2	
17	93300335	Plate	2	
18	00000774	Screw GB/T 70 M6 × 20	4	
19	00009818	Screw GB/T 78 M6 × 10	2	
20	93300127	cable	2	BT44HRT BT36HRT
	93300993	cable	2	BT41HRT
21	93300173	Plate	2	
22	00000684	Bolt GB/T 5783 M10 × 35	8	
23	93000016	Spring Washer Φ10.2	8	
24	93301103	Tellerfedern DIN 2093 31.5/16.3×2.75	8	
25	00001102	Flat Washer 16 JB/ZQ 4080-2006	2	
26	00009891	Nut GB/T 6171 M16×1.5	4	
27	93300097	Sliding Block	2	

3-3 Base Boom Sliding Block Installations (Continued)

Item	Part Number	Description	Qty.	Remark
28	93300206	Shim	2	
29	93300205	Shim	4	
30	93300204	Shim	4	
31	93300209	Shim	2	
32	93300208	Shim	4	
33	93300207	Shim	4	

3-4 Second Boom Sliding Block Installations 1 (BT44HRT, BT41HRT)



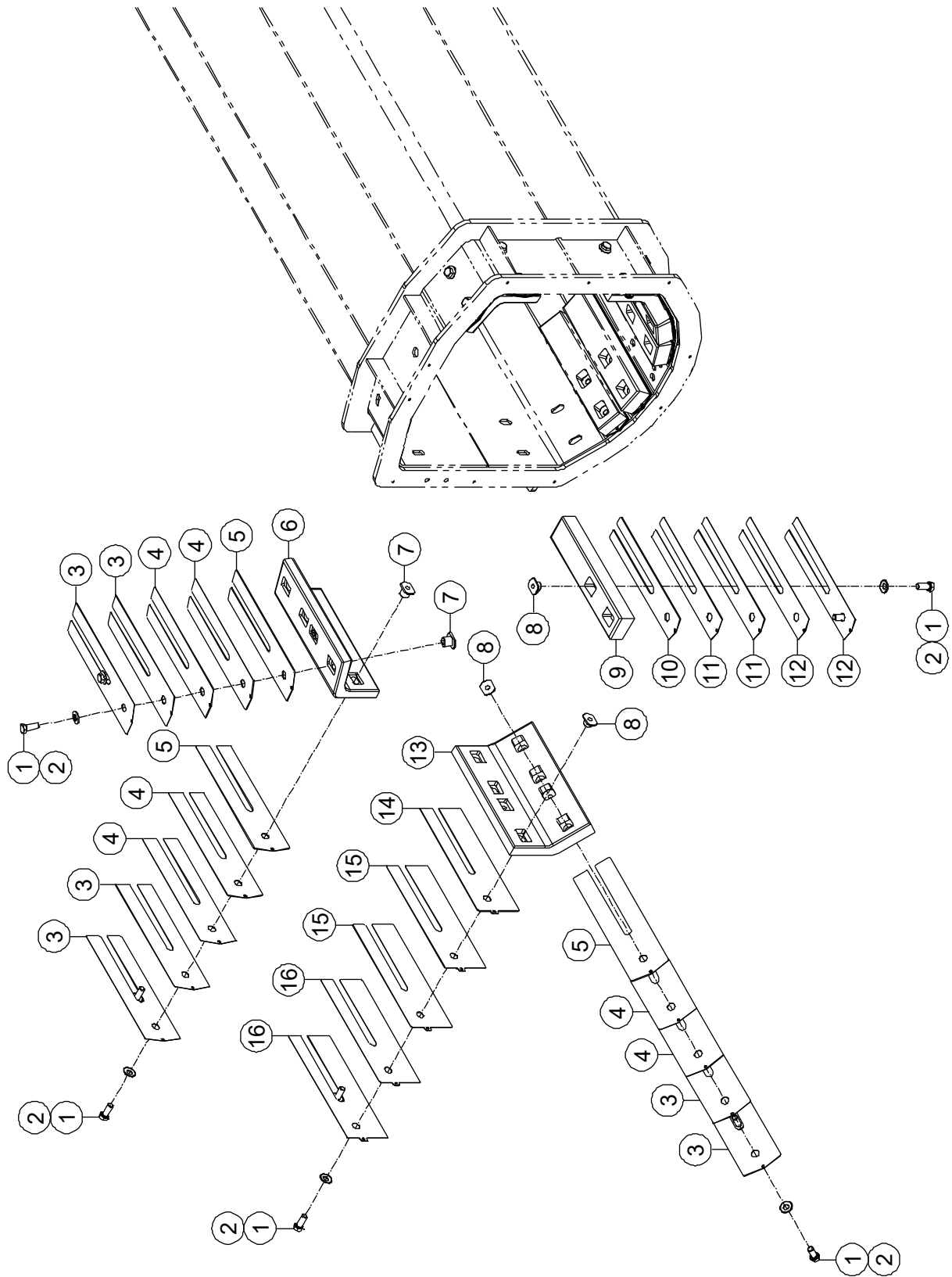
3-4 Second Boom Sliding Block Installations 1 (BT44HRT, BT41HRT)

Item	Part Number	Description	Qty.	Remark
1	00002059	Bolt GB/T 5783 M12 × 30	20	
2	93000017	Spring Washer Φ12.4	20	
3	93300204	Shim	12	
4	93300205	Shim	12	
5	93300206	Shim	6	
6	93300084	Sliding Block	2	
7	93300085	Sliding Block	2	
8	93300158	Insert	12	
9	93300760	Insert	8	
10	93300106	Sliding Block	3	
11	93300082	Shim	6	
12	93300105	Bracket	3	
13	93300677	cable	1	BT44HRT
	93301015	cable	1	BT41HRT
14	00000683	Bolt GB/T 5783 M10 × 30	12	
15	93000016	Spring Washer Φ10.2	12	
16	93300107	Plate	3	
17	00009891	Nut GB/T 6171 M16×1.5	5	
18	00001102	Flat Washer 16 JB/ZQ 4080-2006	3	
19	00000837	Screw GB/T 70.3 M8×16	6	
20	93300210	Shim	4	
21	93300211	Shim	4	
22	93300212	Shim	2	
23	93300083	Sliding Block	2	
24	93300209	Shim	2	
25	93300208	Shim	4	
26	93300207	Shim	4	
27	93300334	Bracket	2	

**3-4 Second Boom Sliding Block Installations 1 (BT44HRT,
BT41HRT) (Continued)**

Item	Part Number	Description	Qty.	Remark
28	93300141	cablc	2	BT44HRT
	93300994	cablc	2	BT41HRT
29	93300335	Bracket	2	
30	00000774	Screw GB/T 70 M6 × 20	4	
31	00009818	Screw GB/T 78 M6 × 10	2	
32	93000396	Disc Spring	2	

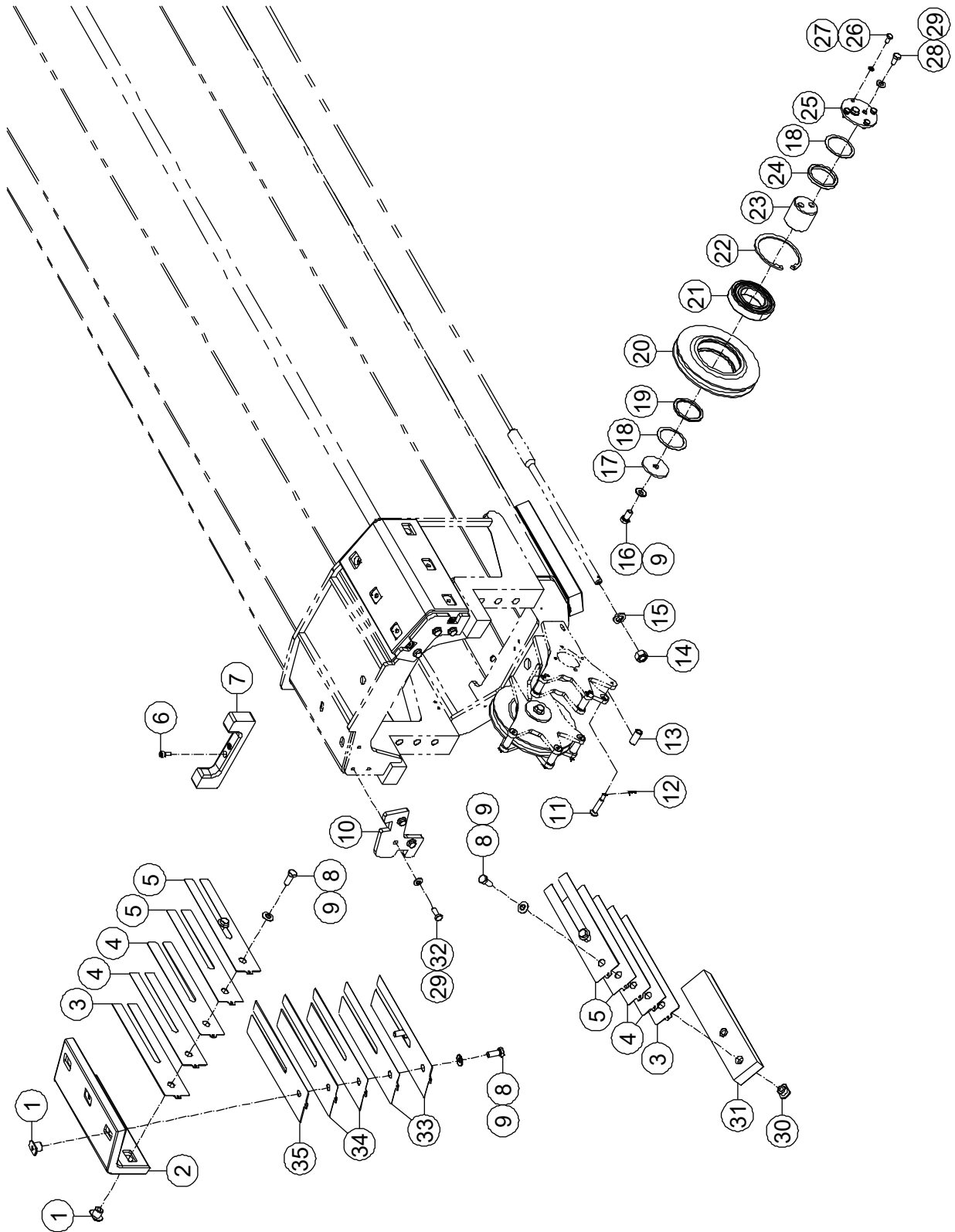
3-5 Second Boom Sliding Block Installations 1 (BT36HRT)



3-5 Second Boom Sliding Block Installations 1 (BT36HRT)

Item	Part Number	Description	Qty.	Remark
1	00002059	Bolt GB/T 5783 M12 × 30	26	
2	93000017	Spring Washer Φ12.4	26	
3	93300204	Shim	12	
4	93300205	Shim	12	
5	93300206	Shim	6	
6	93300084	Sliding Block	2	
7	93300760	Insert	8	
8	93300158	Insert	18	
9	93300083	Sliding Block	5	
10	93300212	Shim	5	
11	93300211	Shim	10	
12	93300210	Shim	10	
13	93300085	Sliding Block	2	
14	93300209	Shim	2	
15	93300208	Shim	4	
16	93300207	Shim	4	

3-6 Second Boom Sliding Block Installations 2



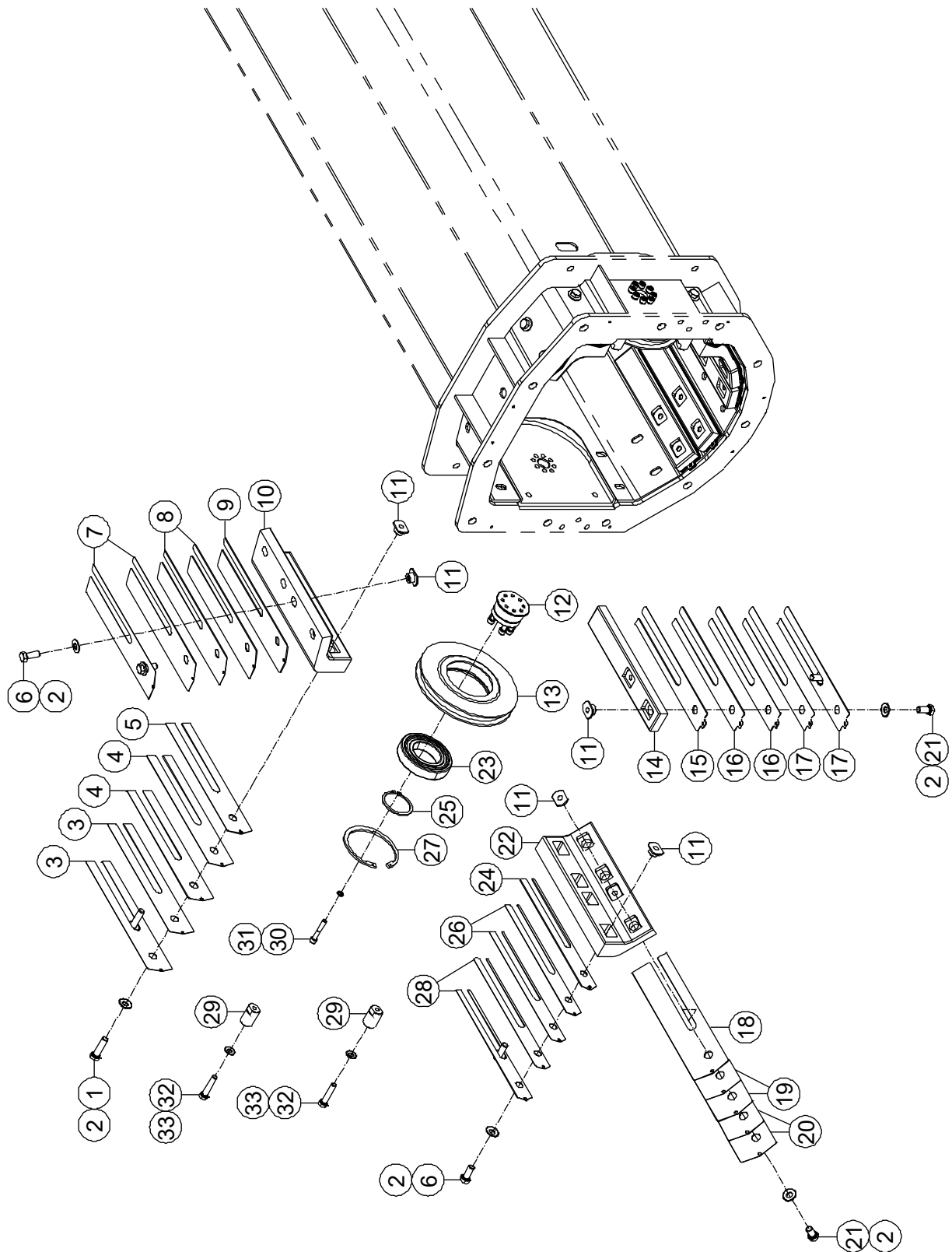
3-6 Second Boom Sliding Block Installations 2

Item	Part Number	Description	Qty.	Remark
1	93300760	Insert	8	
2	93300087	Sliding Block	2	
3	93300203	Shim	4	
4	93300202	Shim	8	
5	93300201	Shim	8	
6	00001061	Screw GB/T 70 M8 × 20	2	
7	93300566	Guide plate	1	
8	00002059	Bolt GB/T 5783 M12 × 30	12	
9	93000017	Spring Washer Φ12.4	14	
10	93300250	Plate	2	
11	93000306	Pin, Pivot	6	
12	00005239	Cotter Pin GB/T 91 2 × 16	6	
13	93000305	Roller	6	
14	00009891	Nut GB/T 6171 M16×1.5	1	BT44HRT BT41HRT
15	00001102	Flat Washer 16 JB/ZQ 4080-2006	1	BT44HRT BT41HRT
16	00000816	Bolt GB/T 5783 M12 × 25	2	
17	93300816	Cover	2	
18	93000455	Shim	4	
19	93000454	Spacer	2	
20	93300116	Sheave	2	
21	93300115	Bearing	2	
22	93300172	Lock Ring - DIN 472 Φ110×4	2	
23	93300809	Pin, Pivot	2	
24	93000453	Spacer	2	
25	93000301	Cover	2	
26	00001063	Bolt GB/T 5783 M8 × 16	8	
27	93305785	Spring Washer Φ8.2	8	
28	00000674	Bolt GB/T 5783 M10 × 20	4	

3-6 Second Boom Sliding Block Installations 2 (Continued)

Item	Part Number	Description	Qty.	Remark
29	93000016	Spring Washer $\Phi 10.2$	10	
30	93300158	Insert	4	
31	93300086	Sliding Block	2	
32	00000678	Bolt GB/T 5783 M10 \times 25	6	
33	93300207	Shim	4	
34	93300208	Shim	4	
35	93300209	Shim	2	

3-7 Third Boom Sliding Block Installations 1 (BT44HRT, BT41HRT)



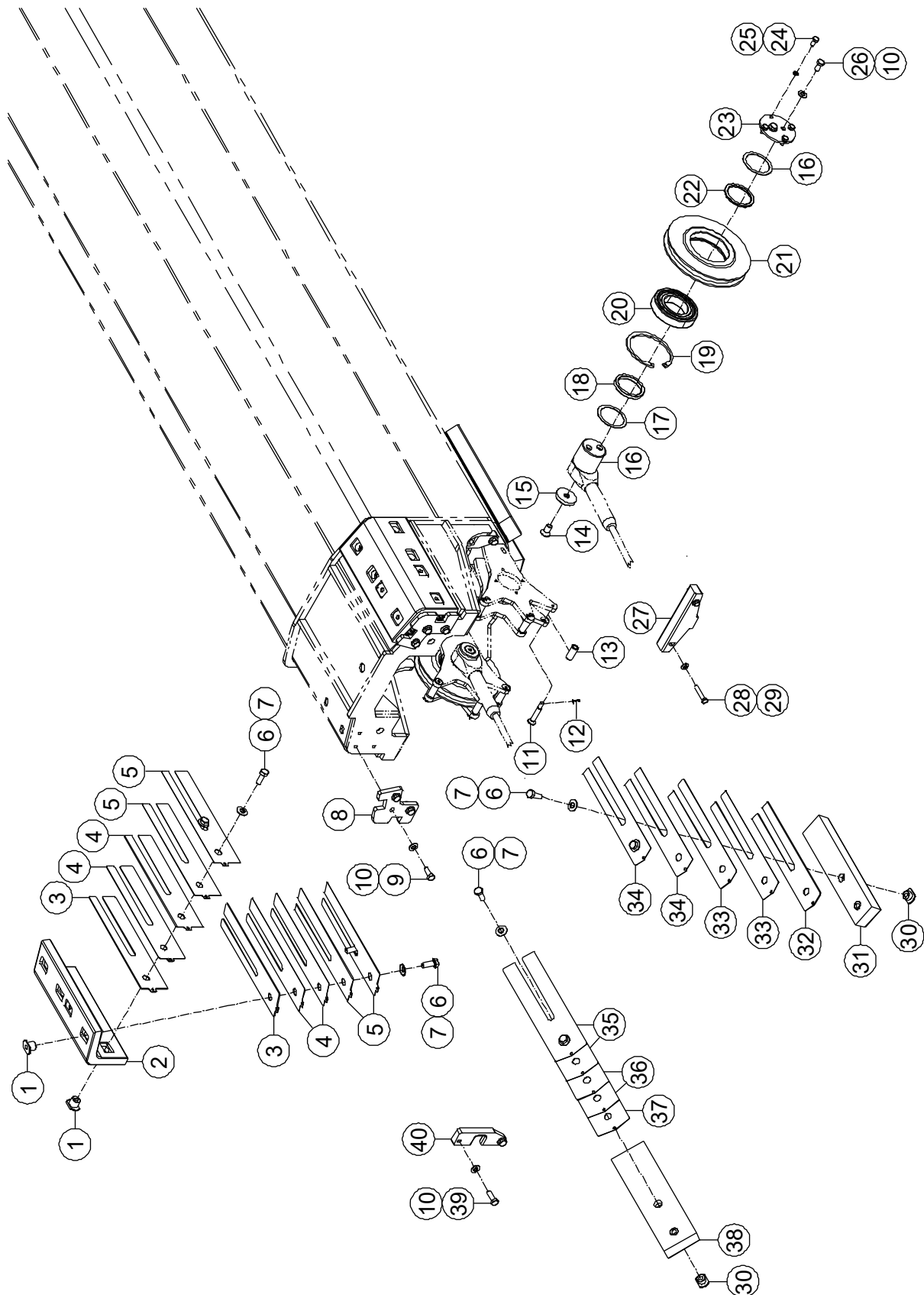
3-7 Third Boom Sliding Block Installations 1 (BT44HRT, BT41HRT)

Item	Part Number	Description	Qty.	Remark
1	00002452	Bolt GB/T 5783 M12 × 45	4	
2	93000017	Spring Washer Φ12.4	26	
3	93300198	Shim	4	
4	93300199	Shim	4	
5	93300200	Shim	2	
6	00002059	Bolt GB/T 5783 M12 × 30	8	
7	93300192	Shim	4	
8	93300193	Shim	4	
9	93300194	Shim	2	
10	93300265	Sliding Block	2	
11	93300158	Insert	26	
12	93300176	Pin, Pivot	2	
13	93300116	Sheave	2	
14	93300077	Sliding Block	5	
15	93300179	Shim	5	
16	93300178	Shim	10	
17	93300177	Shim	10	
18	93300191	Shim	2	
19	93300190	Shim	4	
20	93300189	Shim	4	
21	00000816	Bolt GB/T 5783 M12 × 25	14	
22	93300080	Sliding Block	2	
23	93300115	Bearing	2	
24	93300197	Shim	2	
25	00000953	Washer GB/T 894.1-60	2	
26	93300196	Shim	4	
27	93300172	Lock Ring - DIN 472 Φ110×4	2	
28	93300195	Shim	4	
29	93300266	Rod	4	

**3-7 Third Boom Sliding Block Installations 1 (BT44HRT, BT41HRT)
(Continued)**

Item	Part Number	Description	Qty.	Remark
30	00002558	Screw GB/T 70 M8 × 50	16	
31	93305785	Spring Washer Φ8.2	16	
32	00001052	Bolt GB/T 5783 M10 × 50	4	
33	93000016	Spring Washer Φ10.2	4	

3-8 Third Boom Sliding Block Installations 2 (BT44HRT, BT41HRT)



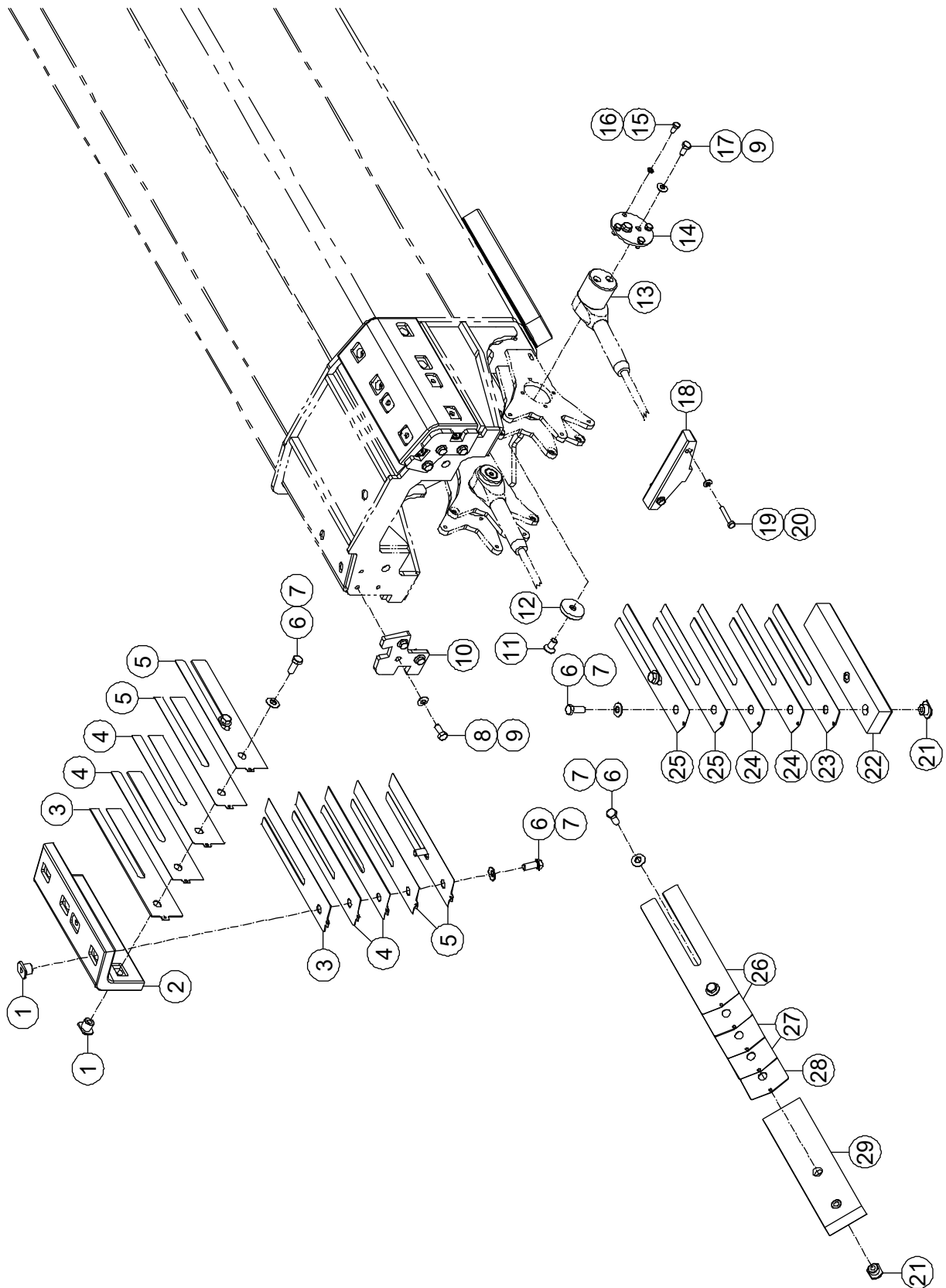
3-8 Third Boom Sliding Block Installations 2 (BT44HRT, BT41HRT)

Item	Part Number	Description	Qty.	Remark
1	93300760	Insert	8	
2	93300084	Sliding Block	2	
3	93300215	Shim	4	
4	93300214	Shim	8	
5	93300213	Shim	8	
6	00002059	Bolt GB/T 5783 M12 × 30	16	
7	93000017	Spring Washer Φ12.4	16	
8	93300248	Plate	2	
9	00000678	Bolt GB/T 5783 M10 × 25	6	
10	93000016	Spring Washer Φ10.2	14	
11	93000306	Pin, Pivot	6	
12	00005239	Cotter Pin GB/T 91 2 × 16	6	
13	93000305	Roller	6	
14	00000854	Screw GB/T 70.3 M12×25	2	
15	93300539	Cover	2	
16	93300110	Pin, Pivot	2	
17	93000455	Shim	4	
18	93000453	Spacer	2	
19	93300172	Lock Ring - DIN 472 Φ110×4	2	
20	93300115	Bearing	2	
21	93300116	Sheave	2	
22	93000454	Spacer	2	
23	93000301	Cover	2	
24	00001063	Bolt GB/T 5783 M8 × 16	8	
25	93305785	Spring Washer Φ8.2	8	
26	00000674	Bolt GB/T 5783 M10 × 20	4	
27	93300244	Guide plate	1	
28	00002607	Bolt GB/T 5783 M8 × 45	2	
29	93000015	Spring Washer Φ8.2	2	

**3-8 Third Boom Sliding Block Installations 2 (BT44HRT, BT41HRT)
(Continued)**

Item	Part Number	Description	Qty.	Remark
30	93300158	Insert	8	
31	93300083	Sliding Block	2	
32	93300212	Shim	2	
33	93300211	Shim	4	
34	93300210	Shim	4	
35	93300186	Shim	4	
36	93300187	Shim	4	
37	93300188	Shim	2	
38	93300079	Sliding Block	2	
39	00000683	Bolt GB/T 5783 M10 × 30	4	
40	93300237	Guide plate	2	

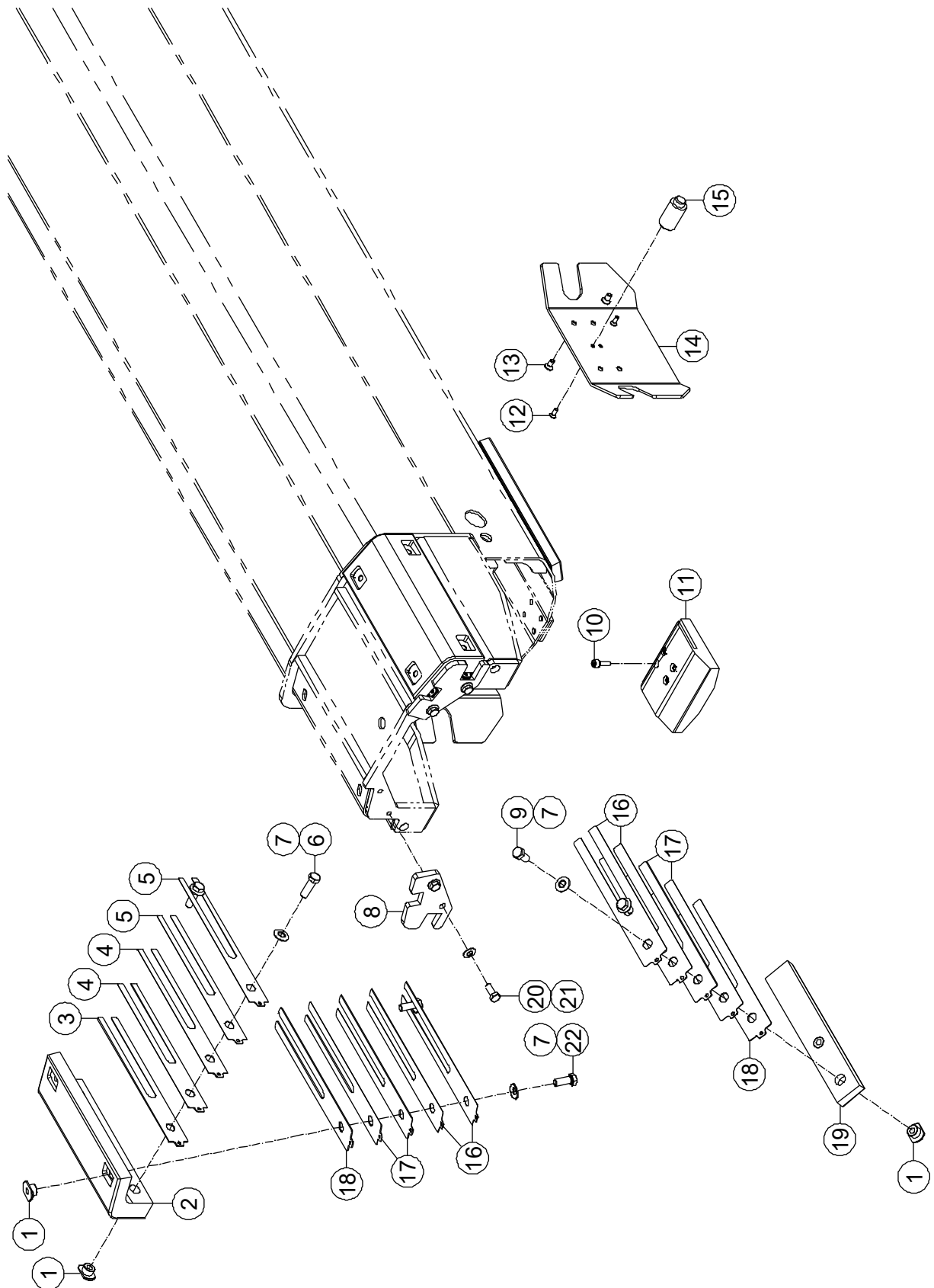
3-9 Third Boom Sliding Block Installations (BT36HRT)



3-9 Third Boom Sliding Block Installations (BT36HRT)

Item	Part Number	Description	Qty.	Remark
1	93300760	Insert	8	
2	93300084	Sliding Block	2	
3	93300215	Shim	4	
4	93300214	Shim	8	
5	93300213	Shim	8	
6	00002059	Bolt GB/T 5783 M12 × 30	14	
7	93000017	Spring Washer Φ12.4	14	
8	00000678	Bolt GB/T 5783 M10 × 25	6	
9	93000016	Spring Washer Φ10.2	10	
10	93300248	Plate	2	
11	00000854	Screw GB/T 70.3 M12×25	2	
12	93300539	Cover	2	
13	93300110	Pin, Pivot	2	
14	93000301	Cover	2	
15	00001063	Bolt GB/T 5783 M8 × 16	8	
16	93305785	Spring Washer Φ8.2	8	
17	00000674	Bolt GB/T 5783 M10 × 20	4	
18	93300244	Guide plate	1	
19	00002607	Bolt GB/T 5783 M8 × 45	2	
20	93000015	Spring Washer Φ8.2	2	
21	93300158	Insert	6	
22	93300083	Sliding Block	1	
23	93300212	Shim	1	
24	93300211	Shim	2	
25	93300210	Shim	2	
26	93300186	Shim	4	
27	93300187	Shim	4	
28	93300188	Shim	2	
29	93300079	Sliding Block	2	

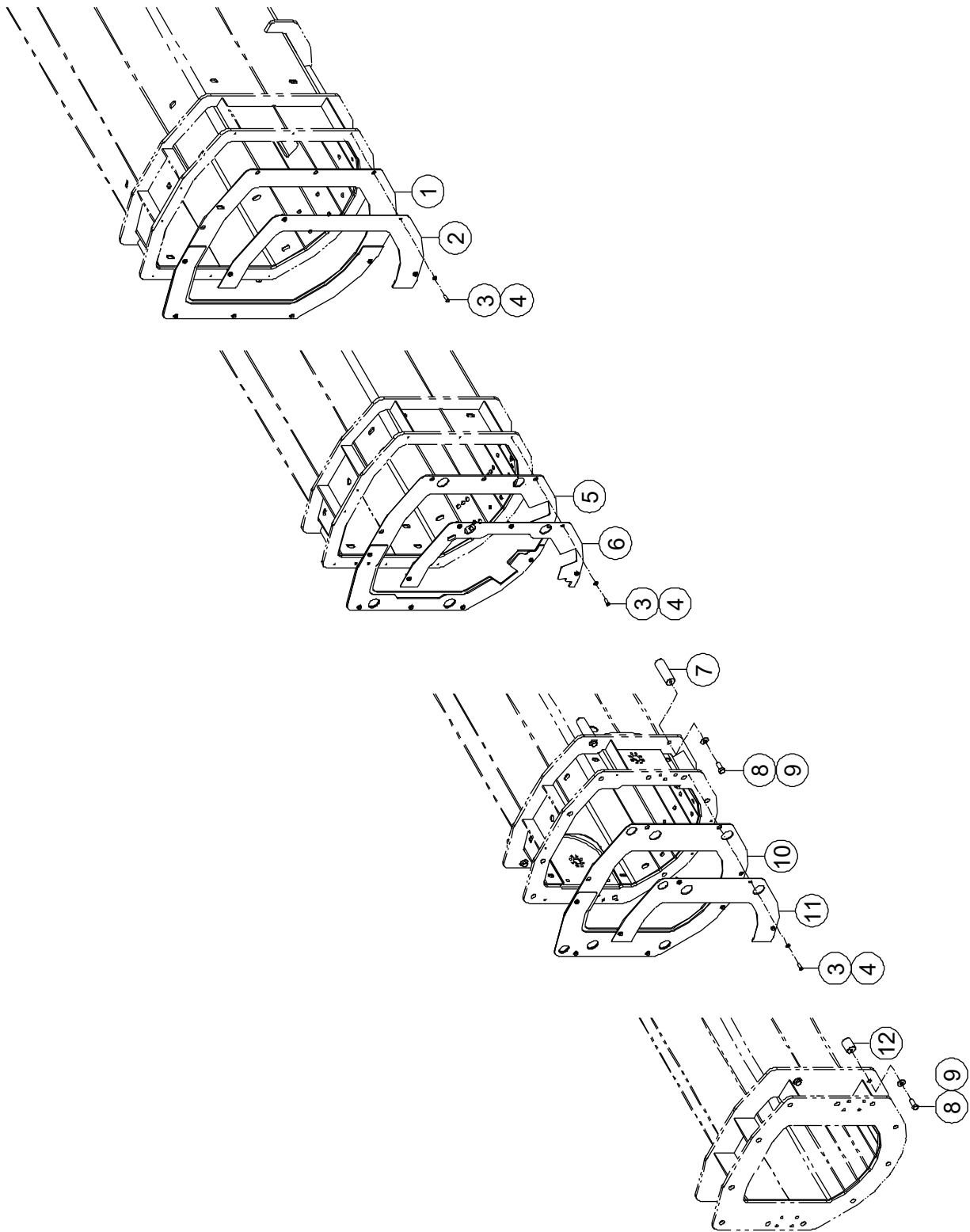
3-10 Fourth Boom Sliding Block Installations (BT44HRT, BT41HRT)



3-10 Fourth Boom Sliding Block Installations (BT44HRT, BT41HRT)

Item	Part Number	Description	Qty.	Remark
1	93300158	Insert	12	
2	93300081	Sliding Block	2	
3	93300185	Shim	2	
4	93300184	Shim	4	
5	93300183	Shim	4	
6	00001055	Bolt GB/T 5783 M12 × 40	4	
7	93000017	Spring Washer Φ12.4	12	
8	93300249	Plate	2	
9	00000816	Bolt GB/T 5783 M12 × 25	4	
10	00002555	Screw GB/T 70 M8 × 25	4	
11	93300605	Guide plate	1	
12	00000830	Screw GB/T 70.3 M6×16	4	
13	00000837	Screw GB/T 70.3 M8×16	4	
14	93300522	Guide plate	2	
15	93300521	Pin, Pivot	2	
16	93300177	Shim	8	
17	93300178	Shim	8	
18	93300179	Shim	4	
19	93300077	Sliding Block	2	
20	00000678	Bolt GB/T 5783 M10 × 25	4	
21	93000016	Spring Washer Φ10.2	4	
22	00002059	Bolt GB/T 5783 M12 × 30	4	

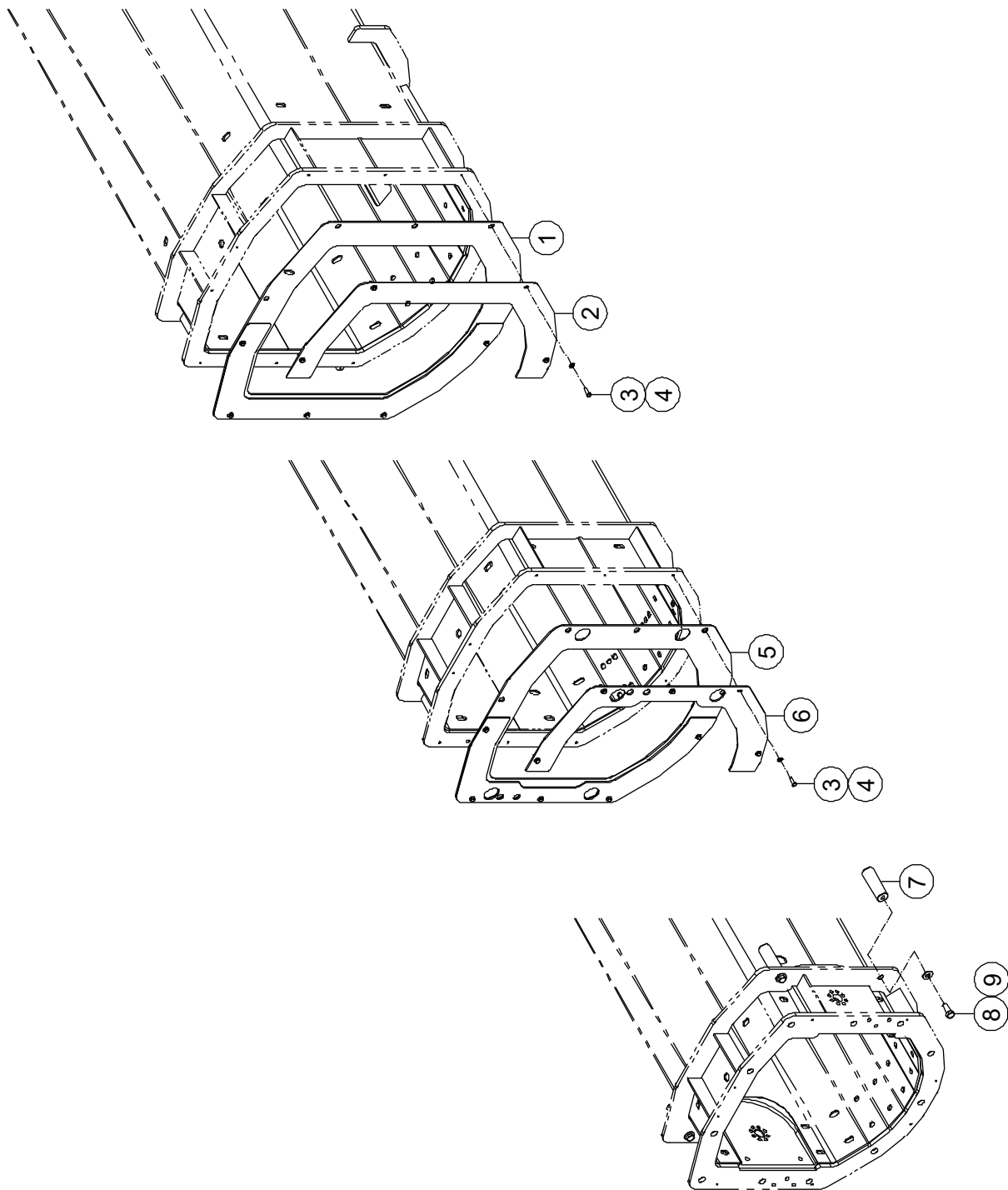
3-11 Boom Shield Installations (BT44HRT, BT41HRT)



3-11 Boom Shield Installations (BT44HRT, BT41HRT)

Item	Part Number	Description	Qty.	Remark
1	93300260	Guard (Rubber)	1	
2	93300259	Plate	2	
3	00000743	Bolt GB/T 5783 M6 × 20	28	
4	93000014	Spring Washer Φ6.1	28	
5	93300262	Guard (Rubber)	1	
6	93300261	Plate	2	
7	93300316	Rod	4	
8	00002059	Bolt GB/T 5783 M12 × 30	8	
9	93000017	Spring Washer Φ12.4	8	
10	93300264	Guard (Rubber)	1	
11	93300263	Plate	2	
12	93300317	Rod	4	

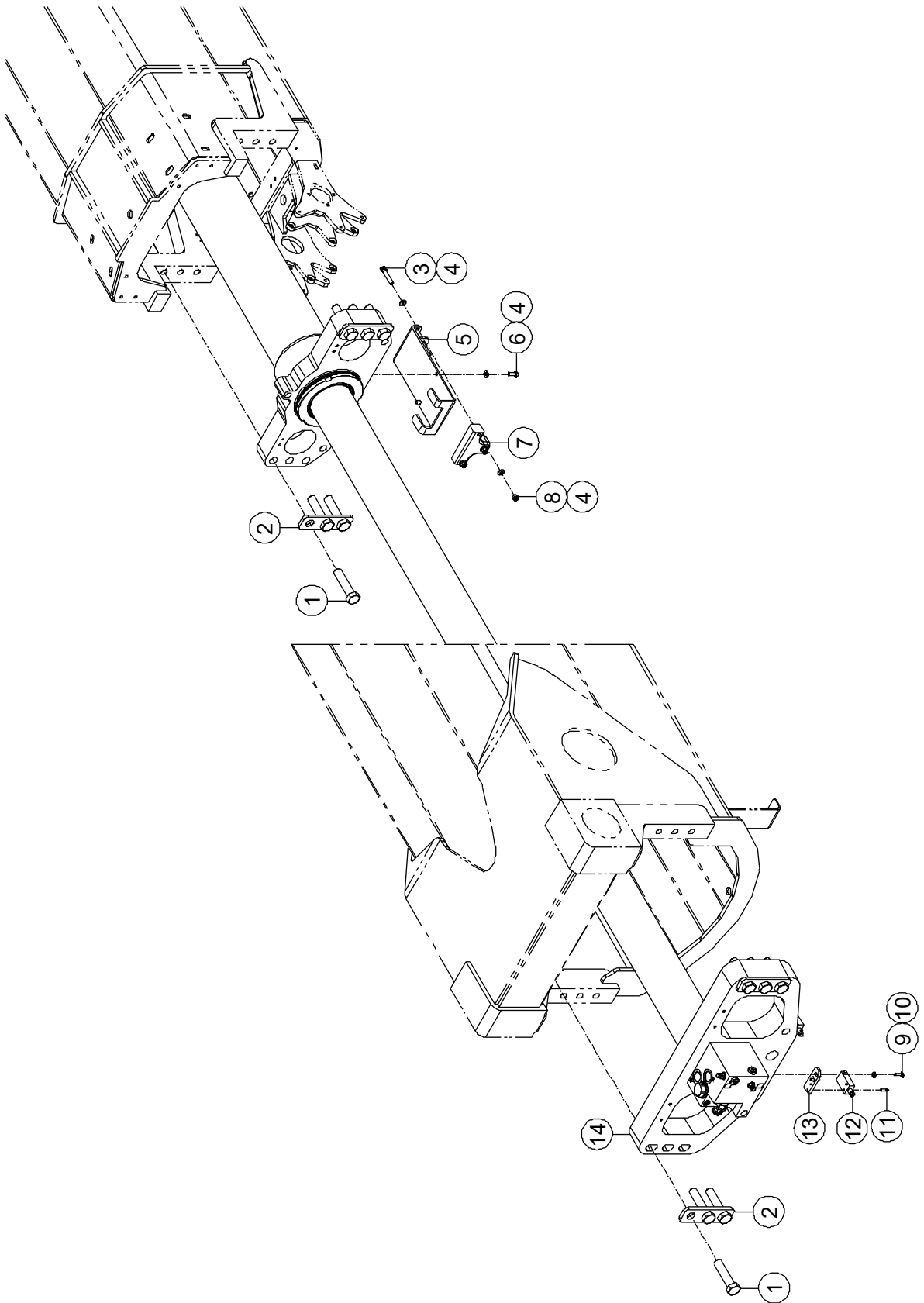
3-12 Boom Shield Installations (BT36HRT)



3-12 Boom Shield Installations (BT36HRT)

Item	Part Number	Description	Qty.	Remark
1	93300260	Guard (Rubber)	1	
2	93300259	Plate	2	
3	00000743	Bolt GB/T 5783 M6 × 20	20	
4	93000014	Spring Washer Φ6.1	20	
5	93300695	Guard (Rubber)	1	
6	93300696	Plate	2	
7	93300316	Rod	4	
8	00002059	Bolt GB/T 5783 M12 × 30	4	
9	93000017	Spring Washer Φ12.4	4	

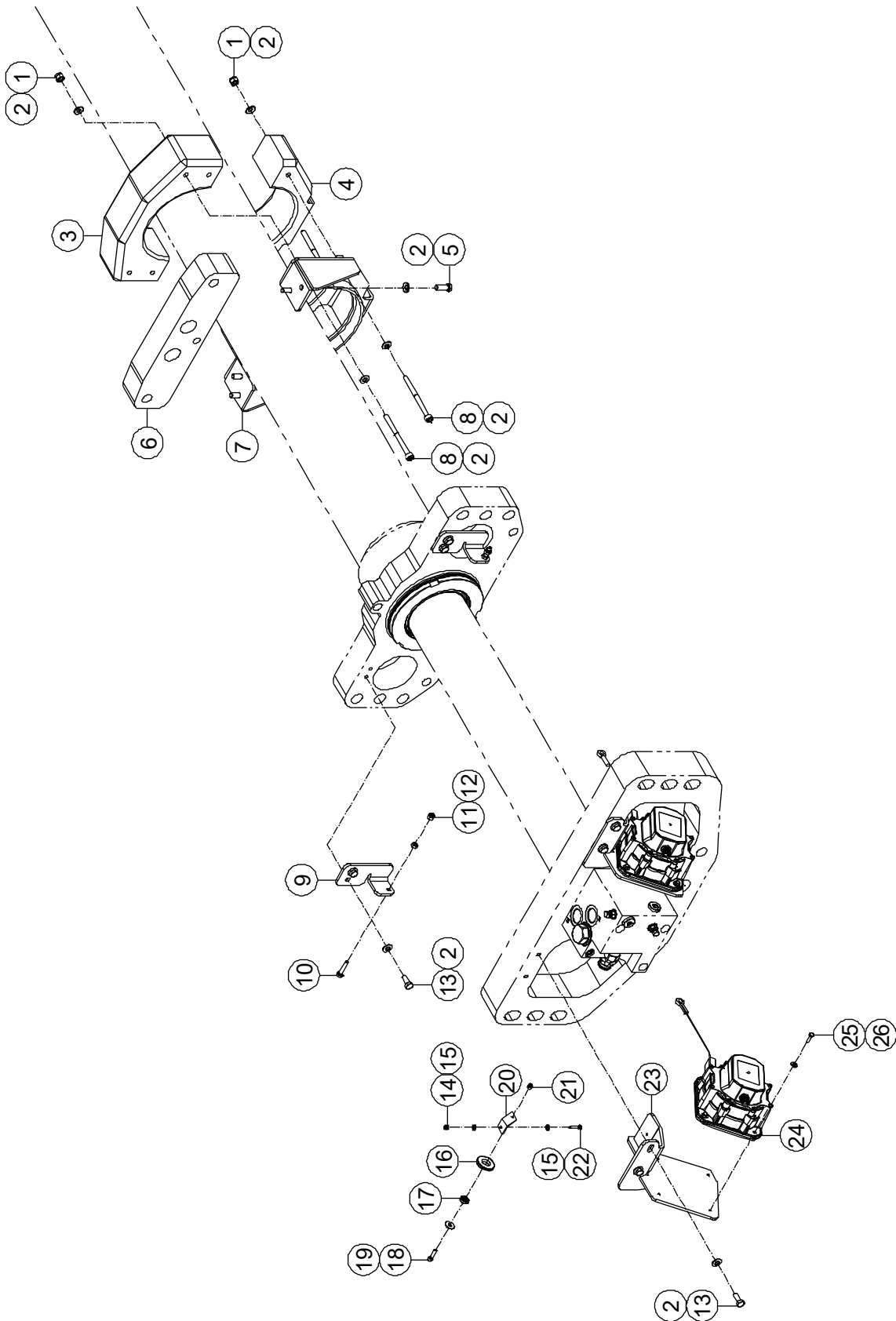
3-13 Telescopic Cylinder Assembly Installations



3-13 Telescopic Cylinder Assembly Installations

Item	Part Number	Description	Qty.	Remark
1	00002220	Bolt GB/T 5783 M20 × 90	12	
2	93300750	Plate	4	
3	00003607	Bolt GB/T 5783 M8 × 50	3	
4	93000015	Spring Washer Φ8.2	8	
5	93300245	Guide plate	1	
6	00000875	Bolt GB/T 5783 M8 × 20	2	
7	93300246	Guide plate	1	
8	00001163	Nut GB/T 6182 M8	3	
9	00000743	Bolt GB/T 5783 M6 × 20	4	
10	93000014	Spring Washer Φ6.1	4	
11	00000604	Screw GB/T 70.1 M4×16	4	
12	00003167	Proximity Switch	2	
13	93300552	Bracket	2	
14		Telescopic Cylinder Assembly (<i>Refer to 5-4</i>)	1	

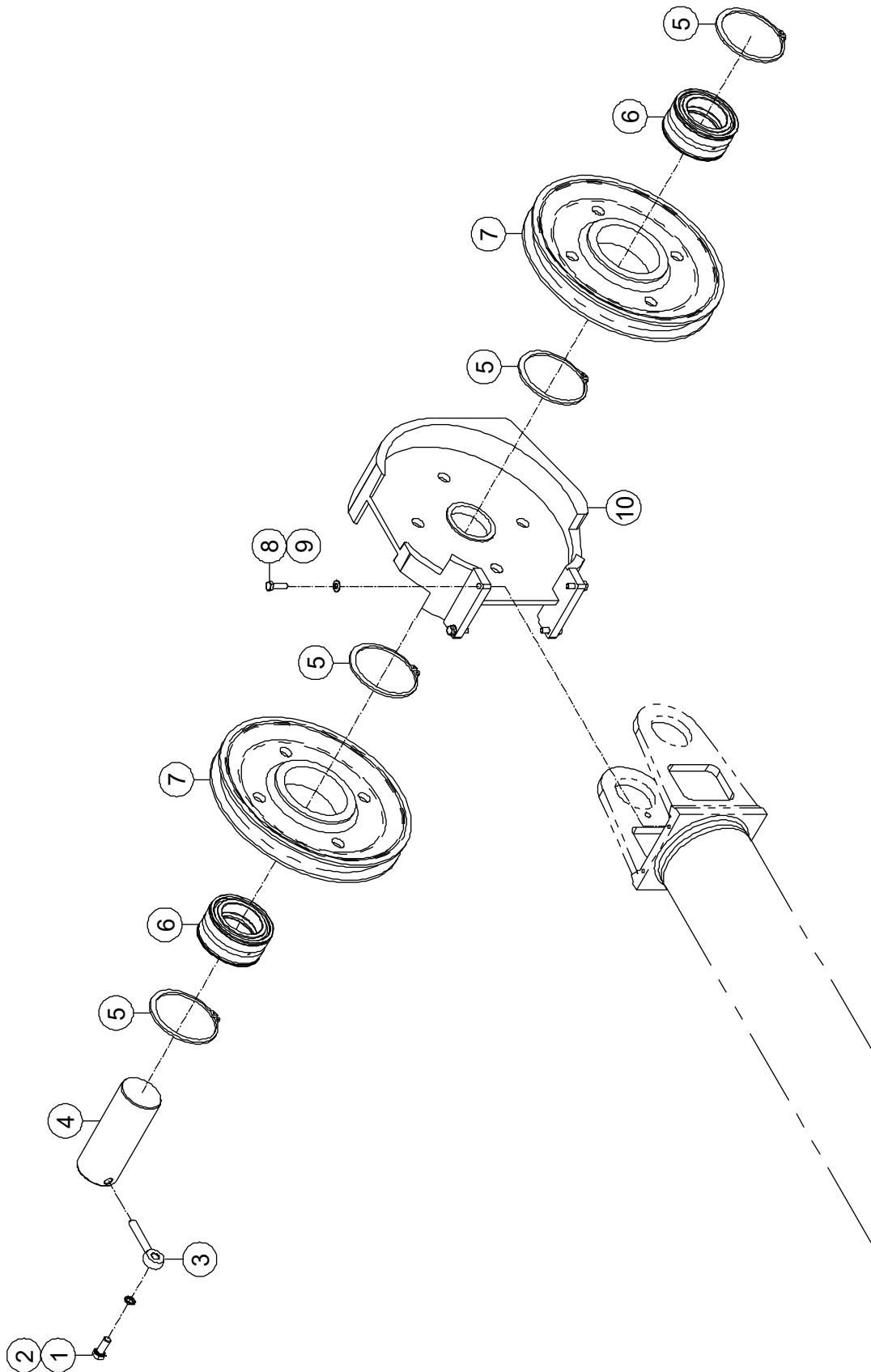
3-14 Telescopic Cylinder Assembly Accessories Installations 1



3-14 Telescopic Cylinder Assembly Accessories Installations 1

Item	Part Number	Description	Qty.	Remark
1	00001163	Nut GB/T 6182 M8	6	
2	93000015	Spring Washer Φ 8.2	24	
3	93300119	Guide plate	1	
4	93300122	Guide plate	1	
5	00000993	Bolt GB/T 5783 M8 \times 25	4	
6	93300121	Bracket	1	
7	93000451	Bracket	1	
8	00002497	Screw GB/T 70 M8 \times 100	6	
9	93300681	Bracket	2	
10	00000775	Bolt GB/T 5783 M6 \times 30	2	
11	00001033	Nut GB/T 6182 M6	2	
12	00002247	Nut GB/T 6170 M6	2	
13	00000875	Bolt GB/T 5783 M8 \times 20	8	
14	00001236	Nut GB/T 889.1 M4	2	
15	93305247	Spring Washer Φ 4.1	4	
16	93300959	Pulley	2	
17	93300960	Bearing -S625-2Z	2	
18	00000817	Screw GB/T 70 M5 \times 20	2	
19	00002583	Flat Washer GB/T 96.1 6	2	
20	93300958	Bracket	2	
21	00000613	Nut GB/T 6182 M5	2	
22	00002064	Screw GB/T 70 M4 \times 20	2	
23	93200255	Bracket	2	
24	93300023	Length Angle Sensor	2	
25	00003949	Bolt GB/T 5783 M5 \times 16	8	
26	93000013	Spring Washer Φ 5.1	8	

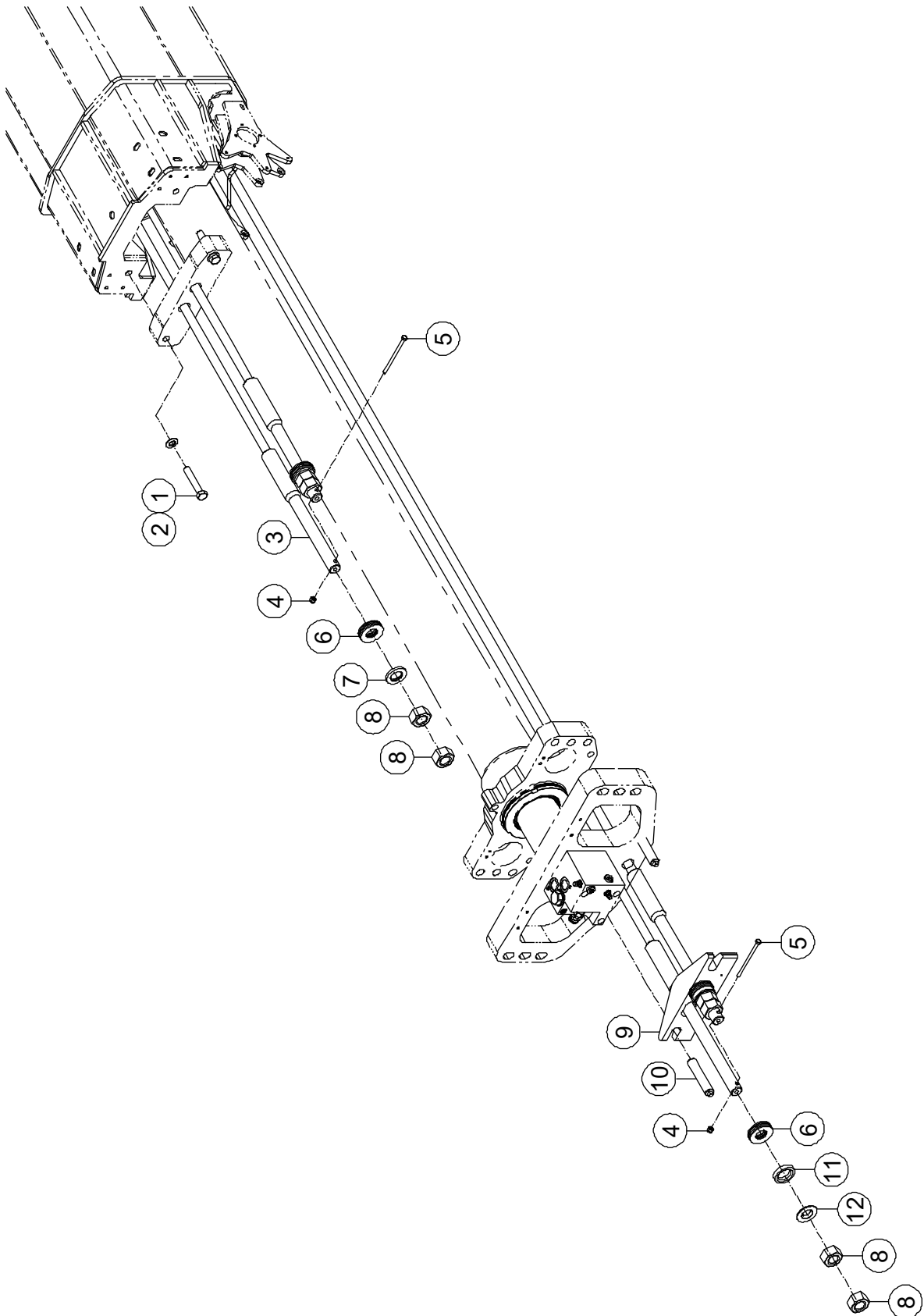
3-15 Telescopic Cylinder Assembly Accessories Installations 2



3-15 Telescopic Cylinder Assembly Accessories Installations 2

Item	Part Number	Description	Qty.	Remark
1	00002059	Bolt GB/T 5783 M12 × 30	1	
2	93305787	Spring Washer Φ12.4	1	
3	00002464	8902-12085 Pin, Lock	1	
4	93300076	Pin, Pivot	1	
5	93300271	Lock Ring - DIN 471 Φ110×4	4	
6	93300270	Bearing	2	
7	93300325	Sheave	2	
8	00000995	Bolt GB/T 5783 M8 × 30	4	
9	93000015	Spring Washer Φ8.2	4	
10	93300240	Guide plate	1	

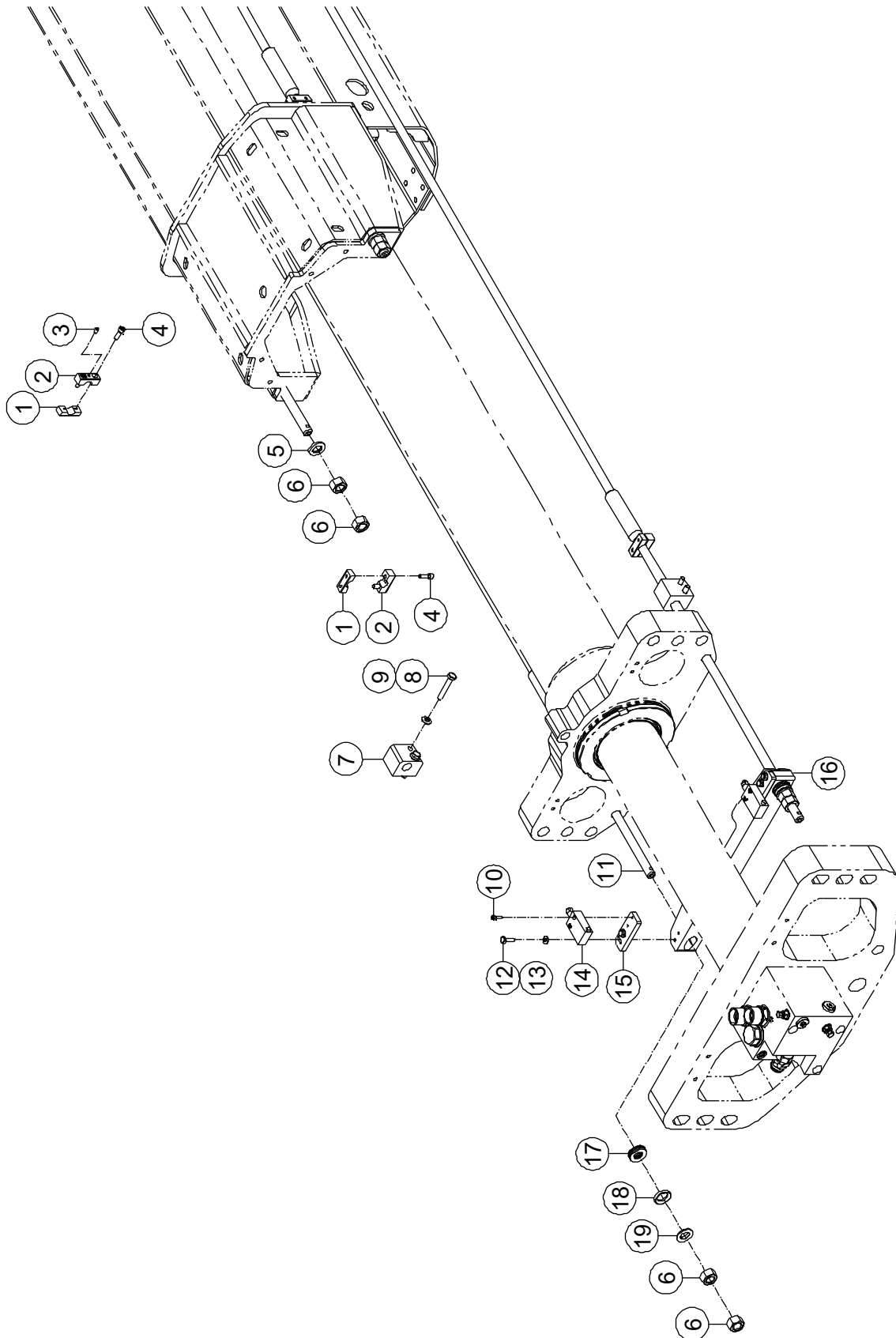
3-16 Third Boom cable Installations



3-16 Third Boom cable Installations

Item	Part Number	Description	Qty.	Remark
1	00002222	Bolt GB/T 5783 M16 × 90	2	
2	93305316	Spring Washer Φ16.4	2	
3	93300125	cabl	2	BT44HRT BT36HRT
	93300991	cabl	2	BT41HRT
4	00001163	Nut GB/T 6182 M8	2	
5	00009816	Bolt GB/T 5782 M8 × 120	2	
6	93000358	Disc Spring	4	
7	00001105	Washer 30 JB/ZQ 4080-2006	2	
8	00000617	Nut GB/T 6170 M30	8	
9	93300124	Bracket	1	
10	93306303	Bolt	2	
11	00009814	Washer GB/T 850 30	2	
12	00009815	Washer GB/T 849 30	2	

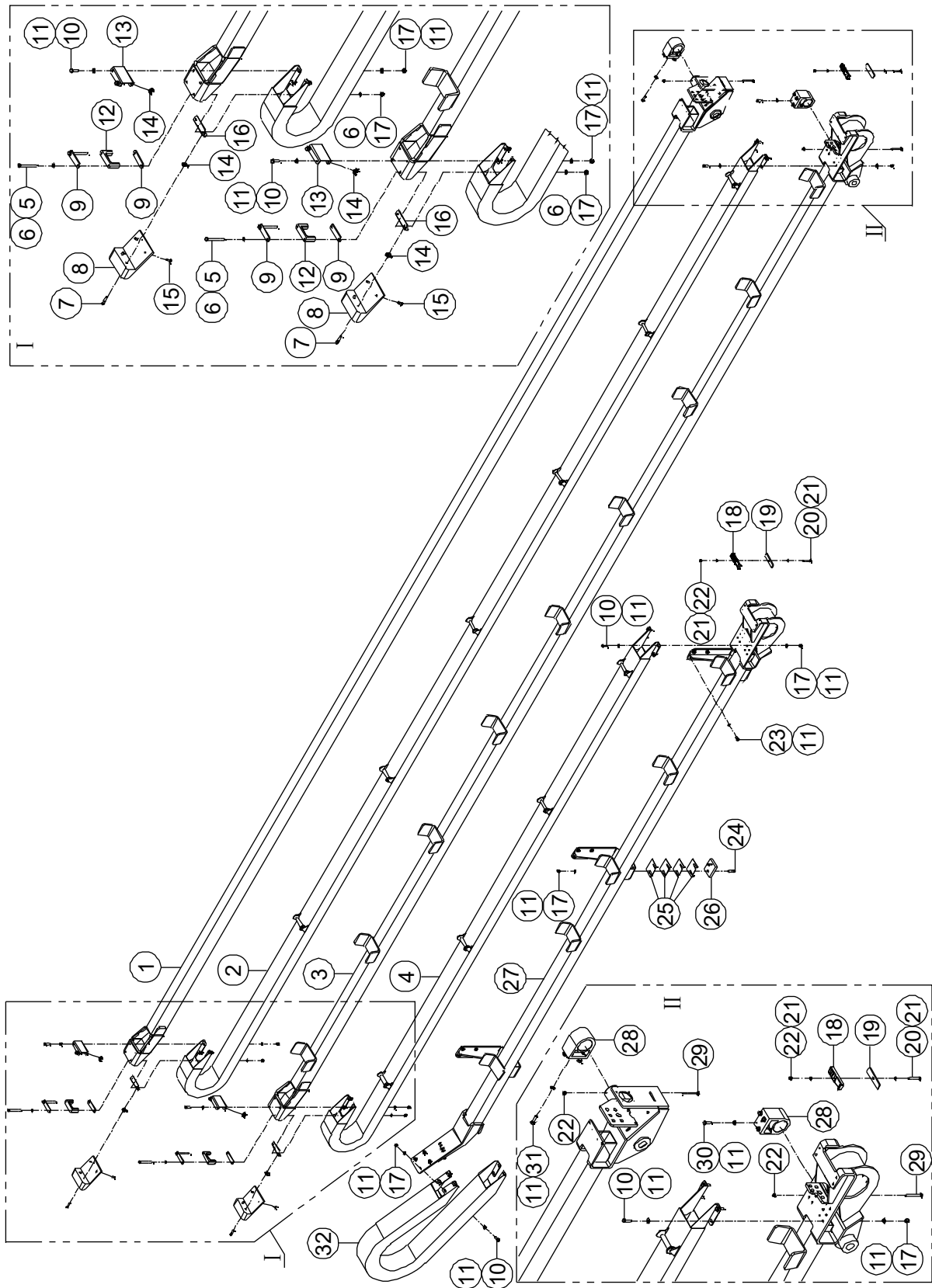
3-17 Fourth Boom cable Installations (BT44HRT, BT41HRT)



3-17 Fourth Boom cable Installations (BT44HRT, BT41HRT)

Item	Part Number	Description	Qty.	Remark
1	93300334	Bracket	4	
2	93300335	Bracket	4	
3	00009818	Screw GB/T 78 M6 × 10	4	
4	00000774	Screw GB/T 70 M6 × 20	8	
5	00001102	Washer 16 JB/ZQ 4080-2006	2	
6	00009891	Nut GB/T 6171 M16×1.5	8	
7	93300236	Guide plate	2	
8	00003607	Bolt GB/T 5783 M8 × 50	4	
9	93000015	Spring Washer Φ8.2	4	
10	00000604	Screw GB/T 70.1 M4×16	4	
11	93300126	cable	2	BT44HRT
	93300992	cable	2	BT41HRT
12	00000743	Bolt GB/T 5783 M6 × 20	4	
13	93000014	Spring Washer Φ6.1	4	
14	00003167	Proximity Switch	2	
15	93300552	Bracket	2	
16	93300123	Bracket	1	
17	93000396	Disc Spring	2	
18	00009819	Washer GB/T 850 16	2	
19	00009821	Washer GB/T 849 16	2	

3-18 Carrier System Installations (BT44HRT, BT41HRT)



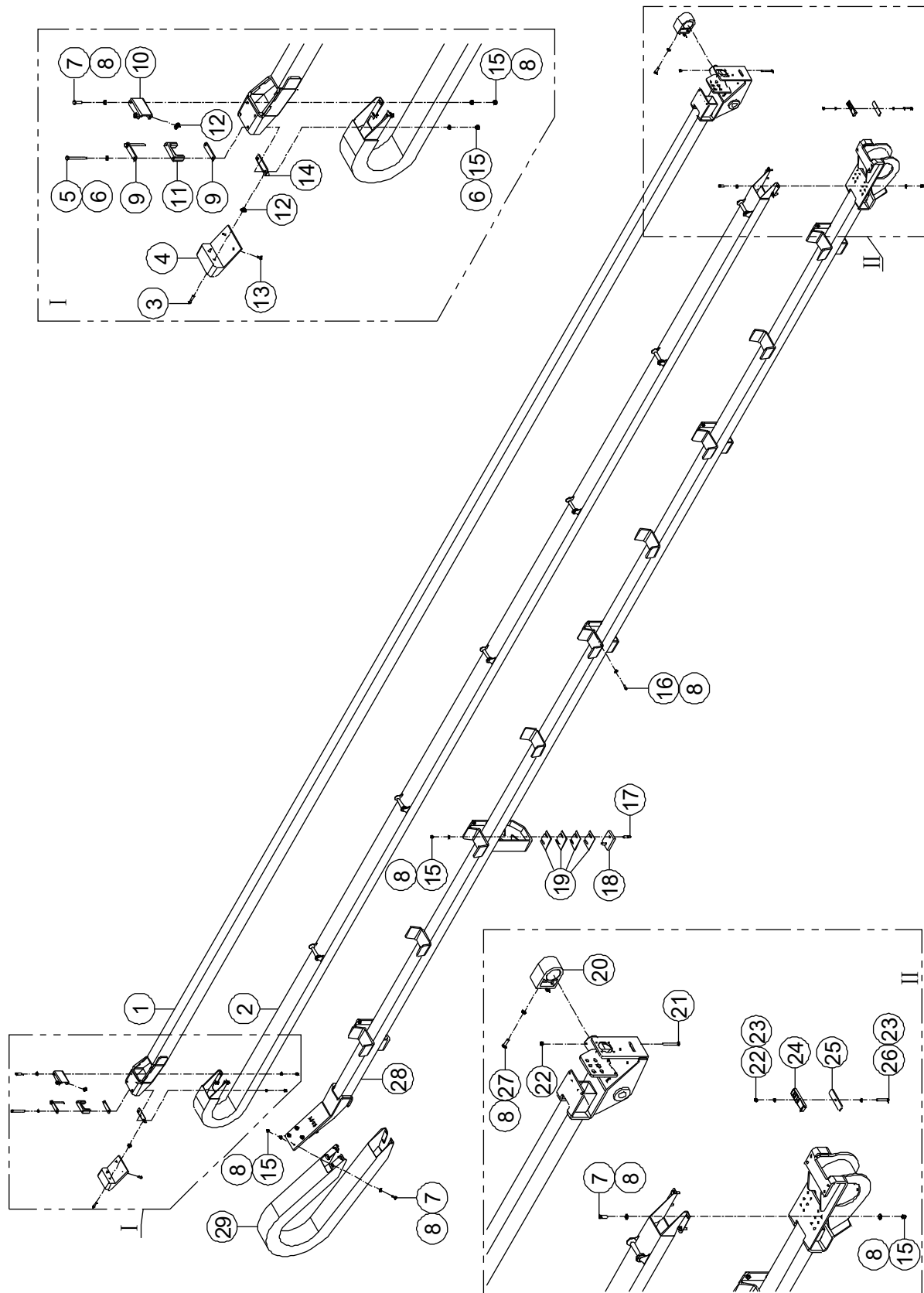
3-18 Carrier System Installations (BT44HRT, BT41HRT)

Item	Part Number	Description	Qty.	Remark
1	93200209	Support	1	BT44HRT
	93000469	Support	1	BT41HRT
2	93000241	Chain	1	BT44HRT
	93200508	Chain	1	BT41HRT
3	93200211	Support	1	BT44HRT
	93200505	Support	1	BT41HRT
4	93000240	Chain	1	
5	00001040	Bolt GB/T 5782 M10 × 100	4	
6	00000615	Flat Washer GB/T 97.1 10	8	
7	00000744	Screw GB/T 70 M8 × 40	4	
8	93000785	Guide plate	2	
9	92100680	Plate	4	
10	00000684	Bolt GB/T 5783 M10 × 35	16	
11	93000016	Spring Washer Φ10.2	54	
12	92102400	Clamp	2	
13	93000784	Bracket	2	
14	00006251	Nut QC/T 885 M8	8	
15	00000838	Screw GB/T 70.3 M8×25	4	
16	93000783	Bracket	2	
17	00000623	Nut GB/T 6182 M10	22	
18	92102401	Chain	2	
19	92100679	Plate	2	
20	00001162	Bolt GB/T 5782 M8 × 60	2	
21	00000608	Flat Washer GB/T 97.1 8	4	
22	00001163	Nut GB/T 6182 M8	4	
23	00000678	Bolt GB/T 5783 M10 × 25	12	
24	00002058	Screw GB/T 70 M10 × 45	2	
25	93300733	Shim	4	
26	93300732	Block	1	

**3-18 Carrier System Installations (BT44HRT, BT41HRT)
(Continued)**

Item	Part Number	Description	Qty.	Remark
27	93200210	Support	1	
28	93300592	Bracket	2	
29	00006728	Bolt GB/T 5782 M8 × 85	2	
30	00000683	Bolt GB/T 5783 M10 × 30	4	
31	00001041	Bolt GB/T 5783 M10 × 40	4	
32	93200271	Chain	1	

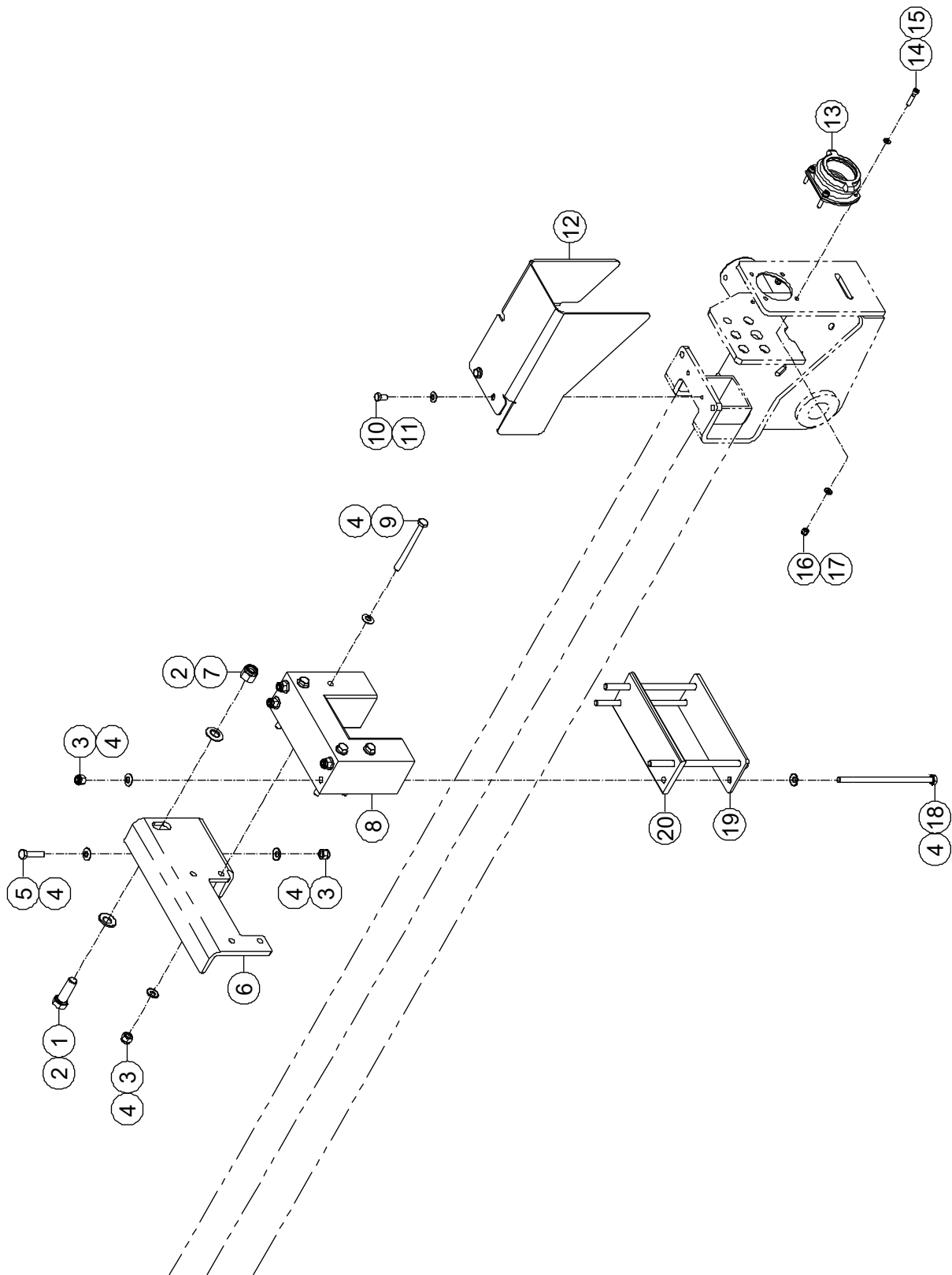
3-19 Carrier System Installations (BT36HRT)



3-19 Carrier System Installations (BT36HRT)

Item	Part Number	Description	Qty.	Remark
1	93200481	Support	1	
2	93000241	Chain	1	
3	00000744	Screw GB/T 70 M8 × 40	2	
4	93000785	Guide plate	1	
5	00001040	Bolt GB/T 5782 M10 × 100	2	
6	00000615	Flat Washer GB/T 97.1 10	4	
7	00000684	Bolt GB/T 5783 M10 × 35	10	
8	93000016	Spring Washer Φ10.2	45	
9	92100680	Plate	2	
10	93000784	Bracket	1	
11	92102400	Clamp	1	
12	00006251	Nut QC/T 885 M8	4	
13	00000838	Screw GB/T 70.3 M8×25	2	
14	93000783	Bracket	1	
15	00000623	Nut GB/T 6182 M10	14	
16	00000678	Bolt GB/T 5783 M10 × 25	20	
17	00002058	Screw GB/T 70 M10 × 45	2	
18	93300732	Block	1	
19	93300733	Shim	4	
20	93300592	Bracket	1	
21	00006728	Bolt GB/T 5782 M8 × 85	1	
22	00001163	Nut GB/T 6182 M8	2	
23	00000608	Flat Washer GB/T 97.1 8	2	
24	92102401	Clamp	1	
25	92100679	Plate	1	
26	00001162	Bolt GB/T 5782 M8 × 60	1	
27	00001041	Bolt GB/T 5783 M10 × 40	3	
28	93200482	Support	1	
29	93200271	Chain	1	

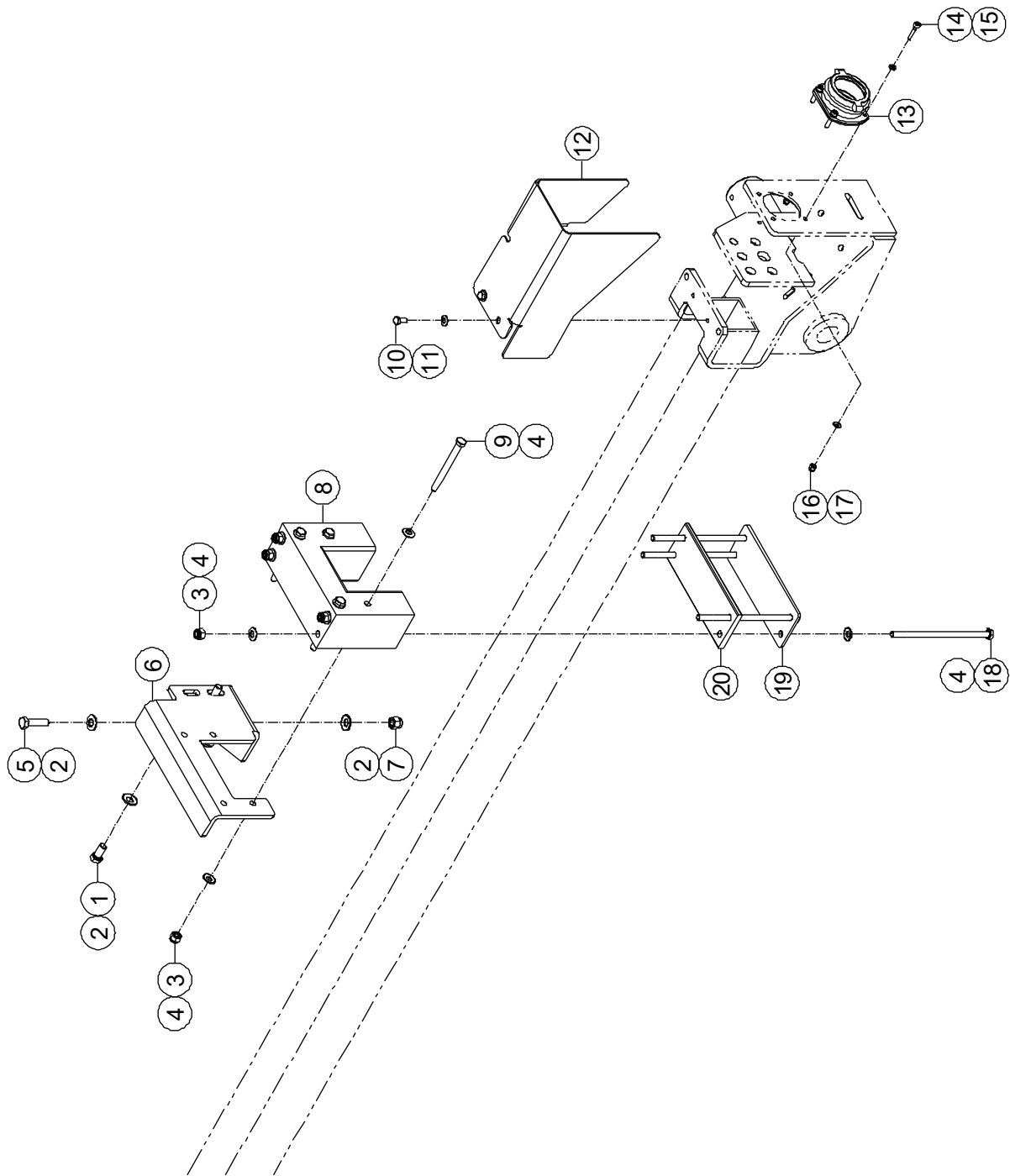
3-20 Carrier System Accessories Installations (BT44HRT, BT41HRT)



3-20 Carrier System Accessories Installations (BT44HRT, BT41HRT)

Item	Part Number	Description	Qty.	Remark
1	00001036	Bolt GB/T 5783 M16 × 50	1	
2	93305316	Spring Washer Φ16.4	2	
3	00000623	Nut GB/T 6182 M10	9	
4	93000016	Spring Washer Φ10.2	18	
5	00001041	Bolt GB/T 5783 M10 × 40	1	
6	93300647	Bracket	1	
7	00001257	Nut GB/T 6182 M16	1	
8	93300636	Guide plate	1	
9	00001037	Bolt GB/T 5782 M10 × 110	4	
10	00001063	Bolt GB/T 5783 M8 × 16	3	
11	93000015	Spring Washer Φ8.2	3	
12	93300643	Housing	1	
13	93000242	Anschlussflansch	1	
14	00001042	Screw GB/T 70 M6 × 30	4	
15	00000620	Flat Washer GB/T 97.1 6	4	
16	00001033	Nut GB/T 6182 M6	4	
17	93000014	Spring Washer Φ6.1	4	
18	00002033	Bolt GB/T 5782 M10 × 200	4	
19	93300680	Plate	1	
20	93300639	Guide plate	1	

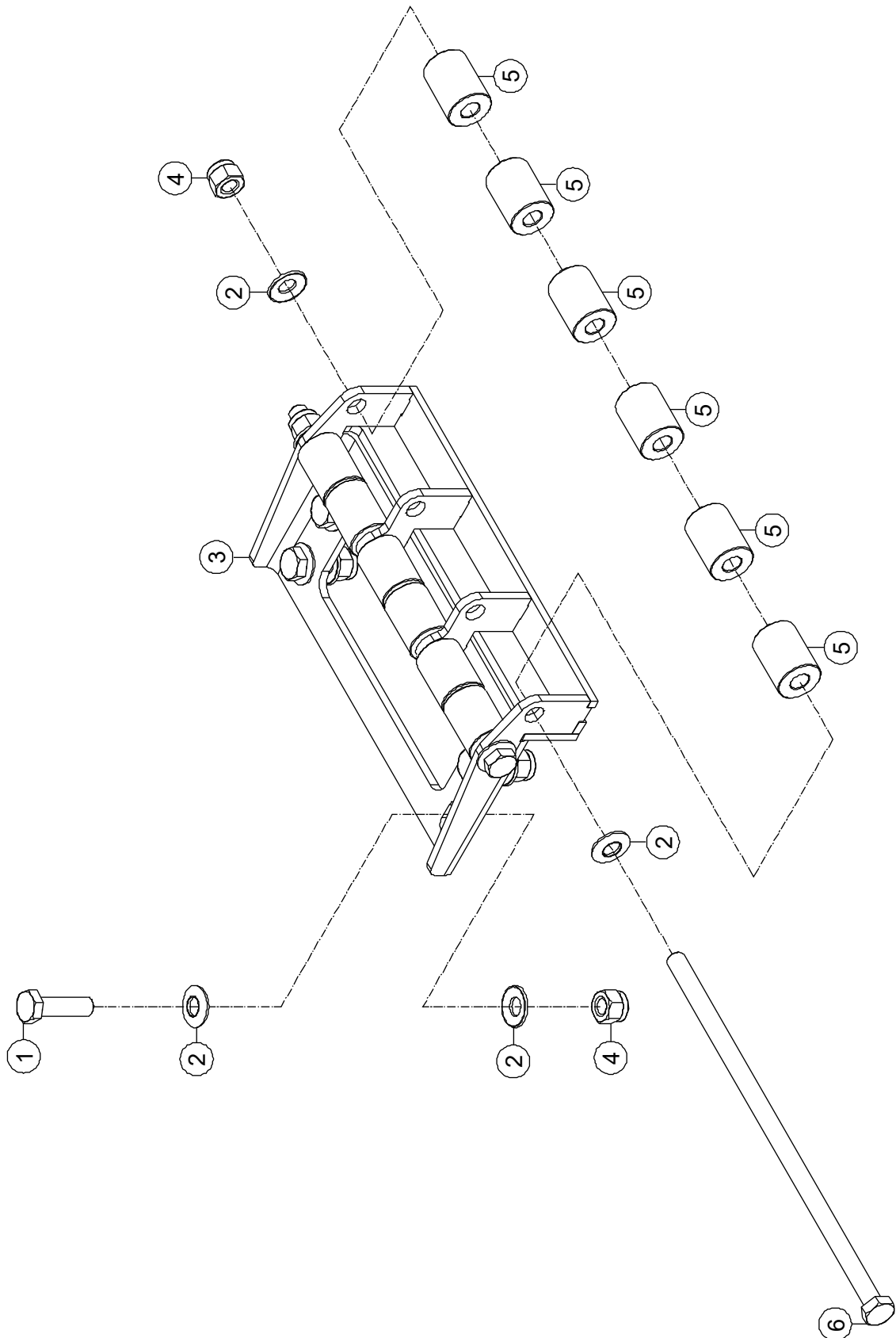
3-21 Carrier System Accessories Installations (BT36HRT)



3-21 Carrier System Accessories Installations (BT36HRT)

Item	Part Number	Description	Qty.	Remark
1	00000816	Bolt GB/T 5783 M12 × 25	2	
2	93000017	Spring Washer Φ12.4	4	
3	00000623	Nut GB/T 6182 M10	8	
4	93000016	Spring Washer Φ10.2	16	
5	00002452	Bolt GB/T 5783 M12 × 45	1	
6	93301044	Bracket	1	
7	00001249	Nut GB/T 6182 M12	1	
8	93300636	Guide plate	1	
9	00001037	Bolt GB/T 5782 M10 × 110	4	
10	00001063	Bolt GB/T 5783 M8 × 16	3	
11	93000015	Spring Washer Φ8.2	3	
12	93300643	Housing	1	
13	93000242	Anschlussflansch	1	
14	00001042	Screw GB/T 70 M6 × 30	4	
15	00000620	Flat Washer GB/T 97.1 6	4	
16	00001033	Nut GB/T 6182 M6	4	
17	93000014	Spring Washer Φ6.1	4	
18	00002033	Bolt GB/T 5782 M10 × 200	4	
19	93300680	Plate	1	
20	93300639	Guide plate	1	

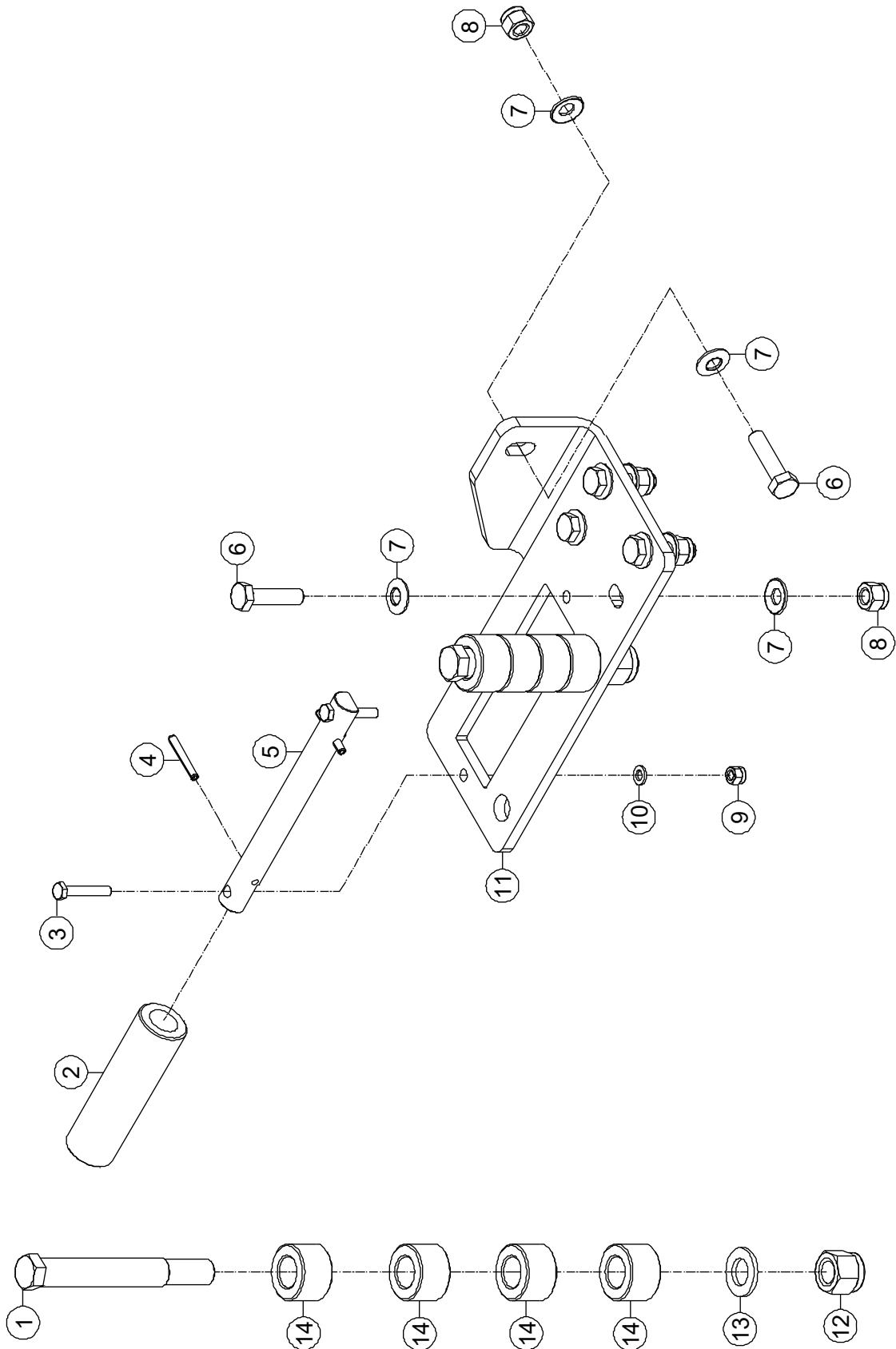
3-22 Roller Assembly Installations 1



3-22 Roller Assembly Installations 1

Item	Part Number	Description	Qty.	Remark
1	00000684	Bolt GB/T 5783 M10 × 35	4	
2	93000016	Spring Washer Φ10.2	12	
3	93000788	Bracket	1	
4	00000623	Nut GB/T 6182 M10	6	
5	93000787	Roller	12	
6	00011271	Bolt GB/T 5782 M10 × 260	2	

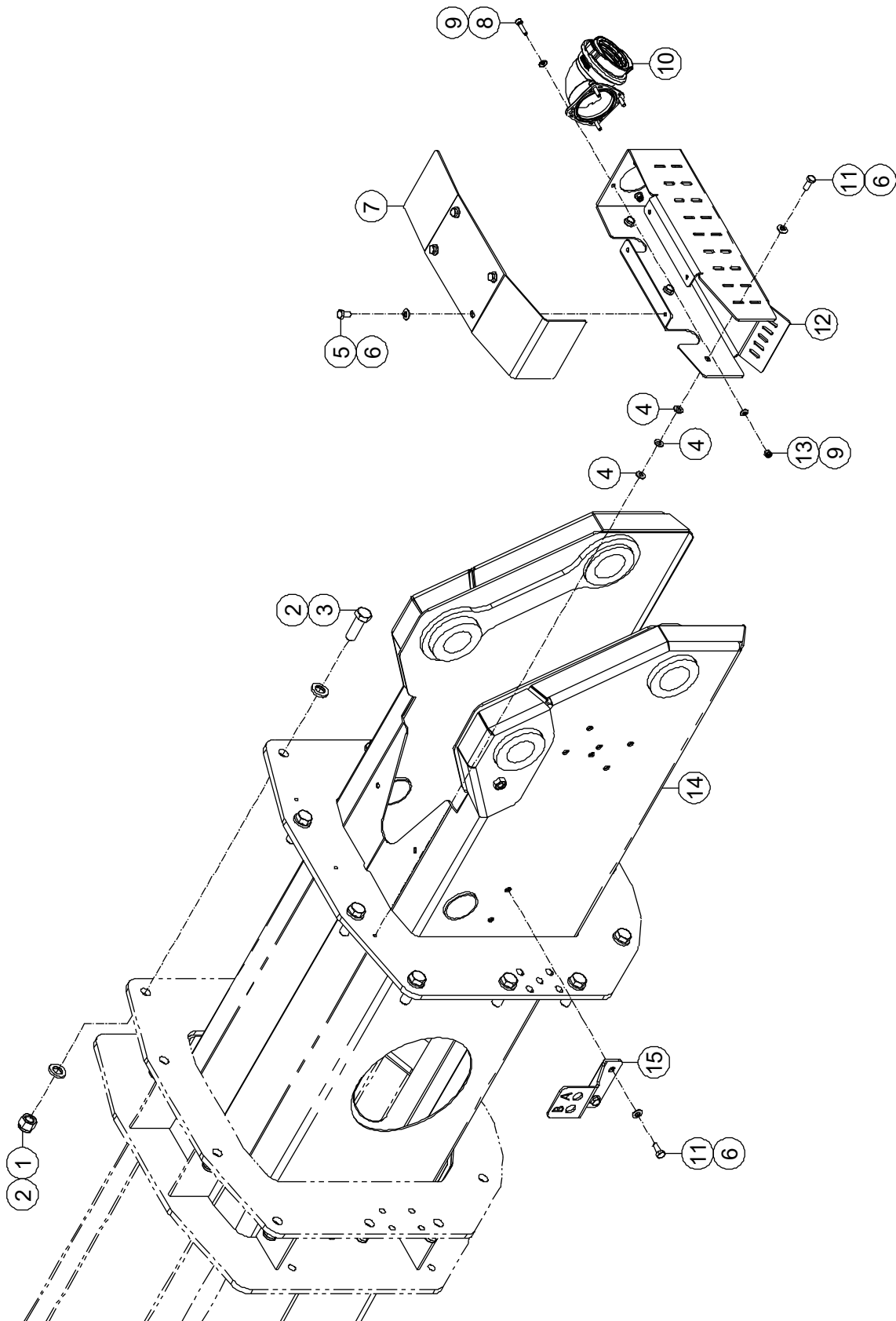
3-23 Roller Assembly Installations 2 (BT44HRT, BT41HRT)



3-23 Roller Assembly Installations 2 (BT44HRT, BT41HRT)

Item	Part Number	Description	Qty.	Remark
1	92102112	Bolt	2	
2	92102109	Roller	1	
3	00002895	Bolt GB/T 5783 M6 × 35	2	
4	00002240	Cotter Pin GB/T 879.1 5 × 35	2	
5	92102110	Rod	1	
6	00001041	Bolt GB/T 5783 M10 × 40	5	
7	93000016	Spring Washer Φ10.2	10	
8	00000623	Nut GB/T 6182 M10	5	
9	00001033	Nut GB/T 6182 M6	2	
10	00000620	Flat Washer GB/T 97.1 6	2	
11	93000465	Bracket	1	
12	00001257	Nut GB/T 6182 M16	2	
13	00000997	Flat Washer GB/T 97.1 16	2	
14	92102111	Roller	8	

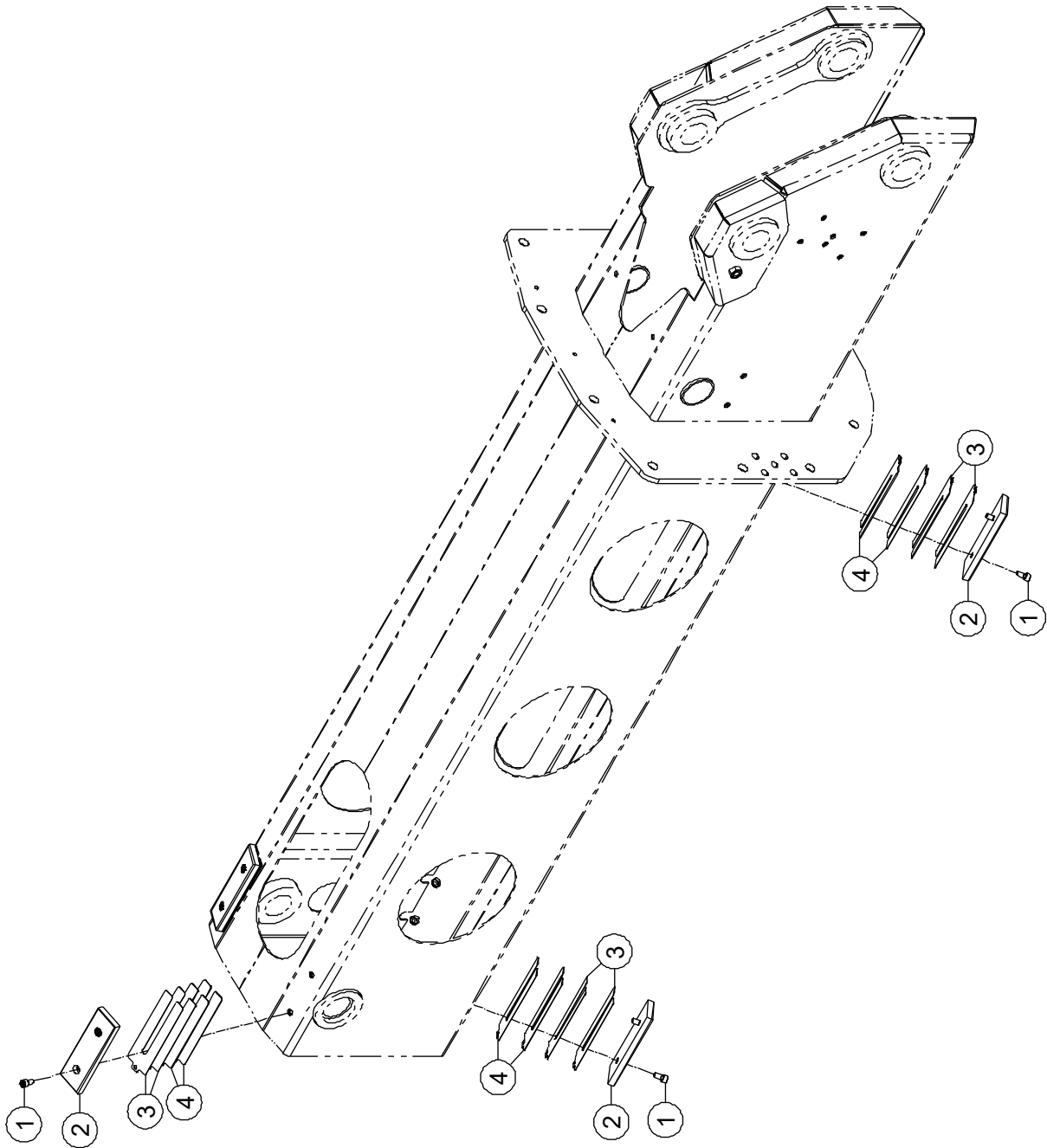
3-24 Telescopic Boom and Junction Installations



3-24 Telescopic Boom and Junction Installations

Item	Part Number	Description	Qty.	Remark
1	00001257	Nut GB/T 6182 M16	11	
2	00001102	Flat Washer 16 JB/ZQ 4080-2006	22	
3	00001036	Bolt GB/T 5783 M16 × 50	11	
4	00000608	Flat Washer GB/T 97.1 8	9	
5	00001063	Bolt GB/T 5783 M8 × 16	4	
6	93000015	Spring Washer Φ8.2	9	
7	93301067	Cover	1	
8	00001034	Screw GB/T 70 M6 × 25	4	
9	93000014	Spring Washer Φ6.1	8	
10	93304516	90° Flanschanschluss	1	
11	00000875	Bolt GB/T 5783 M8 × 20	5	
12	93301066	Housing	1	
13	00001033	Nut GB/T 6182 M6	4	
14	93200523	Junction	1	BT44HRT BT41HRT
	93000473	Junction	1	BT36HRT
15	93300486	Bracket	1	

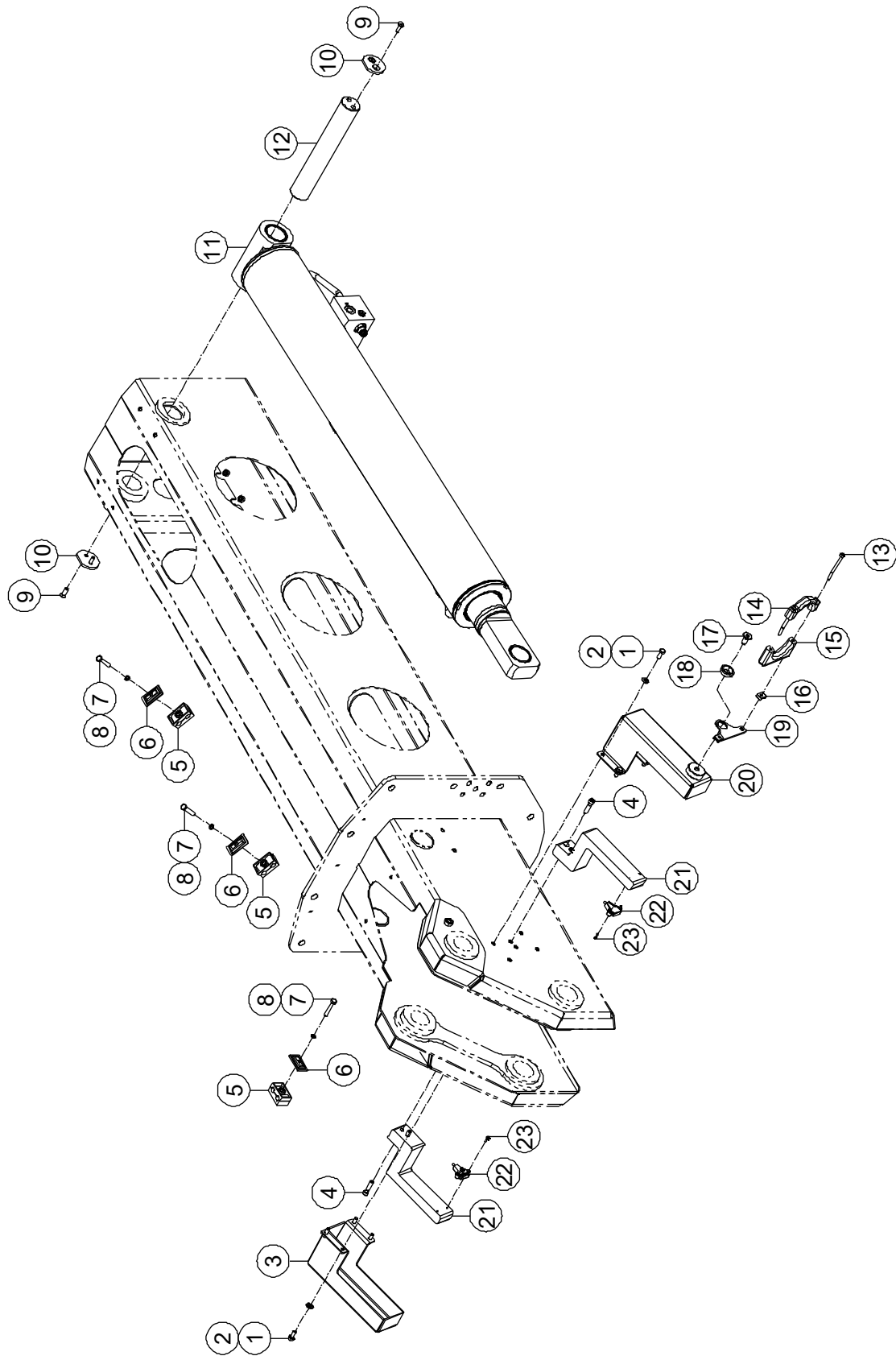
3-25 Junction Sliding Block Installations



3-25 Junction Sliding Block Installations

Item	Part Number	Description	Qty.	Remark
1	00002051	Screw GB/T 70 M8 × 16	12	
2	93300587	Sliding Block	6	BT44HRT BT41HRT
	93300588	Sliding Block	6	BT36HRT
3	93000260	Shim	12	
4	93000261	Shim	12	

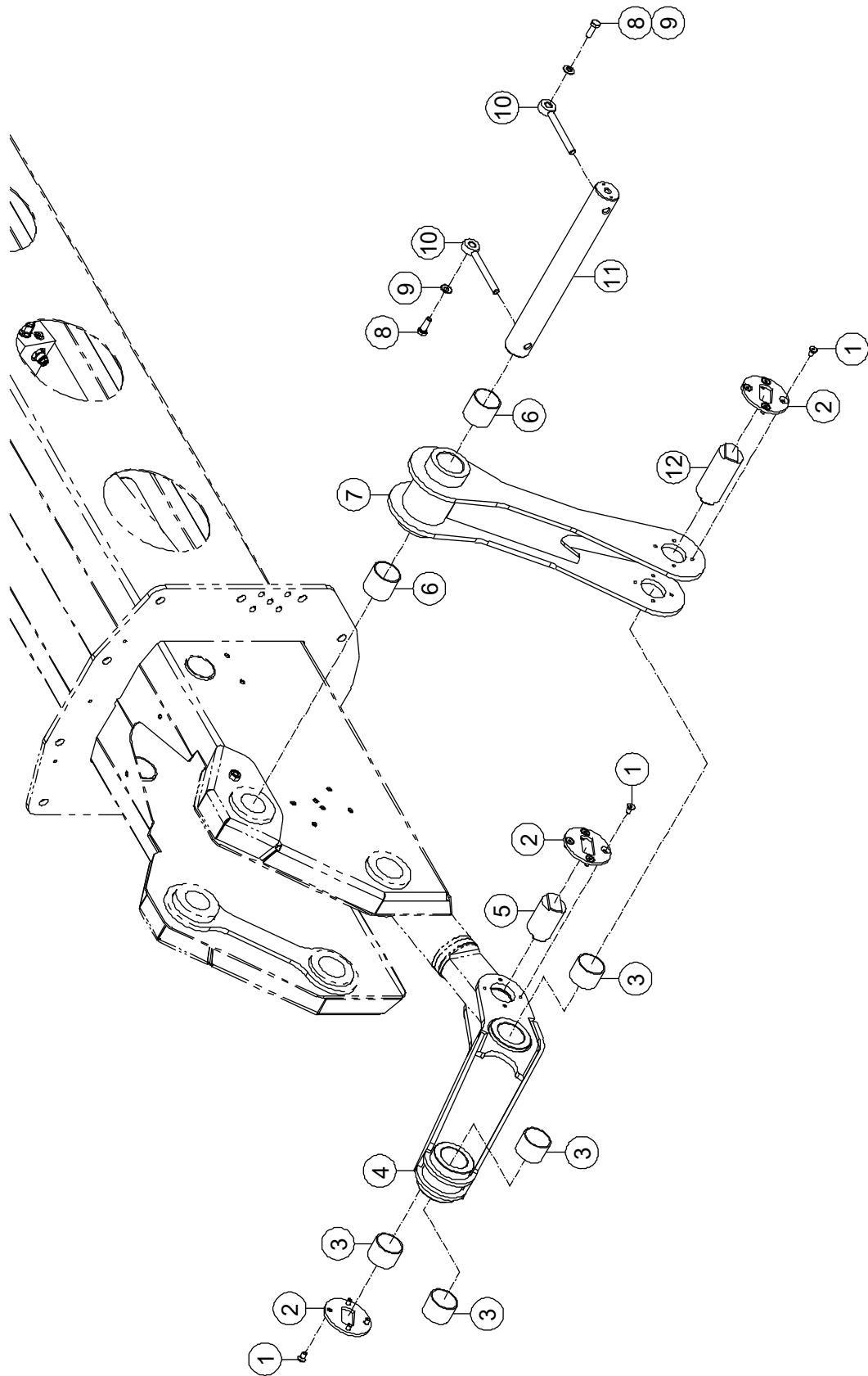
3-26 JIB Lifting Cylinder Assembly Installations



3-26 JIB Lifting Cylinder Assembly Installations

Item	Part Number	Description	Qty.	Remark
1	00000875	Bolt GB/T 5783 M8 × 20	8	
2	93000015	Spring Washer Φ8.2	8	
3	93300558	Housing	1	
4	00002062	Screw GB/T 70 M8 × 35	4	
5	00000538	Clamp	3	
6	90001243	Spacer	3	
7	00002607	Bolt GB/T 5783 M8 × 45	3	
8	93305785	Spring Washer Φ8.2	3	
9	00000838	Screw GB/T 70.3 M8×25	4	
10	93300472	Cover	2	
11		JIB Lifting Cylinder Assembly(<i>Refer to 5-6</i>)	1	
12	93301077	Pin, Pivot	1	
13	00006426	Screw GB/T 70 M6 × 80	2	
14	92000221	Clamp	1	
15	92000219	Clamp	1	
16	50000112	Nut QC/T 885 M6	2	
17	00000854	Screw GB/T 70.3 M12×25	1	
18	93000633	Support	1	
19	92000220	Support	1	
20	93000631	Housing	1	
21	93300557	Bracket	2	
22	93300021	Angle Sensor	2	
23	00001054	Screw GB/T 70 M4 × 12	4	

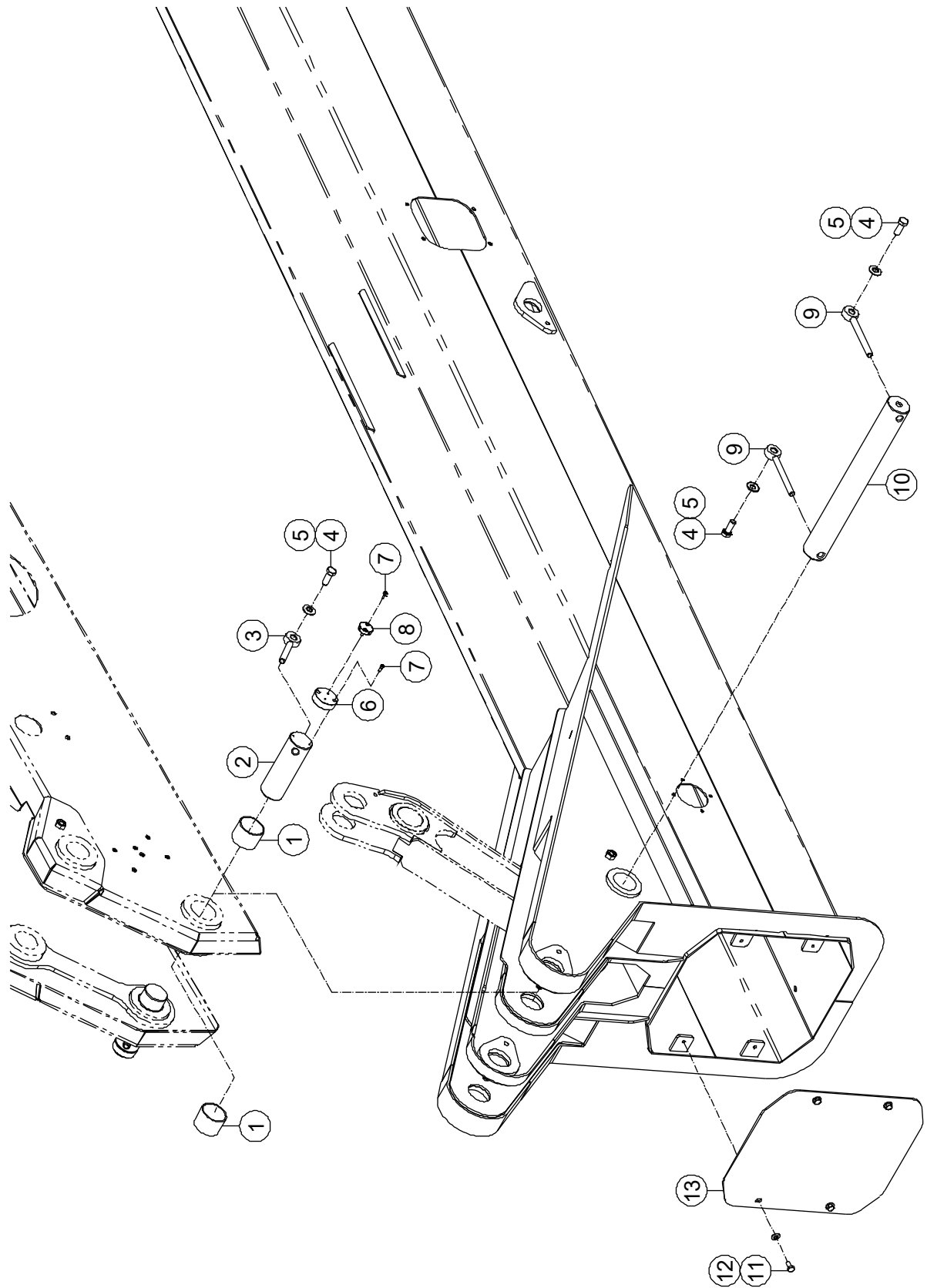
3-27 Junction and Linkage Installations



3-27 Junction and Linkage Installations

Item	Part Number	Description	Qty.	Remark
1	00000837	Screw GB/T 70.3 M8×16	16	
2	93000767	Cover	4	
3	93300278	8813-505540 Sleeve Bearing	4	
4	93000496	Linkage	1	
5	93000769	Pin, Pivot	1	
6	93300276	8813-505550 Sleeve Bearing	2	
7	93200526	Linkage	1	
8	00000683	Bolt GB/T 5783 M10 × 30	2	
9	93000016	Spring Washer Φ10.2	2	
10	00002465	8902-12120 Pin, Lock	2	
11	93300585	Pin, Pivot	1	
12	93000766	Pin, Pivot	1	

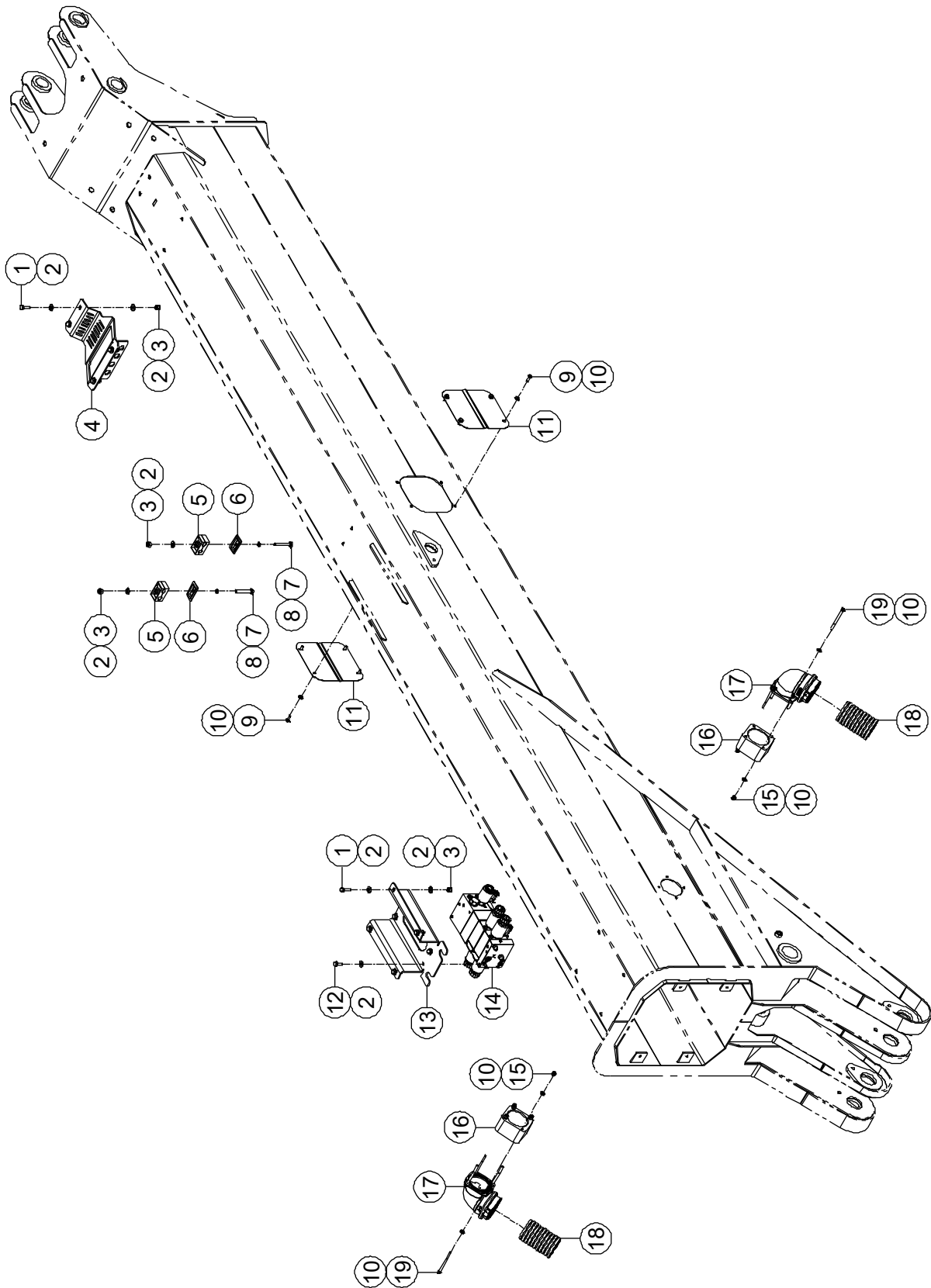
3-28 Junction and JIB Installations



3-28 Junction and JIB Installations

Item	Part Number	Description	Qty.	Remark
1	93300278	8813-505540 Sleeve Bearing	4	
2	93300456	Pin, Pivot	2	
3	00002464	8902-12085 Pin, Lock	2	
4	00002059	Bolt GB/T 5783 M12 × 30	4	
5	93000017	Spring Washer Φ12.4	4	
6	93000395	Bracket	2	
7	00001054	Screw GB/T 70 M4 × 12	8	
8	93300156	Actuator for magnetic angle sensors	2	
9	00002465	8902-12120 Pin, Lock	2	
10	93300458	Pin, Pivot	1	
11	00001063	Bolt GB/T 5783 M8 × 16	4	
12	93000015	Spring Washer Φ8.2	4	
13	93301079	Cover	1	

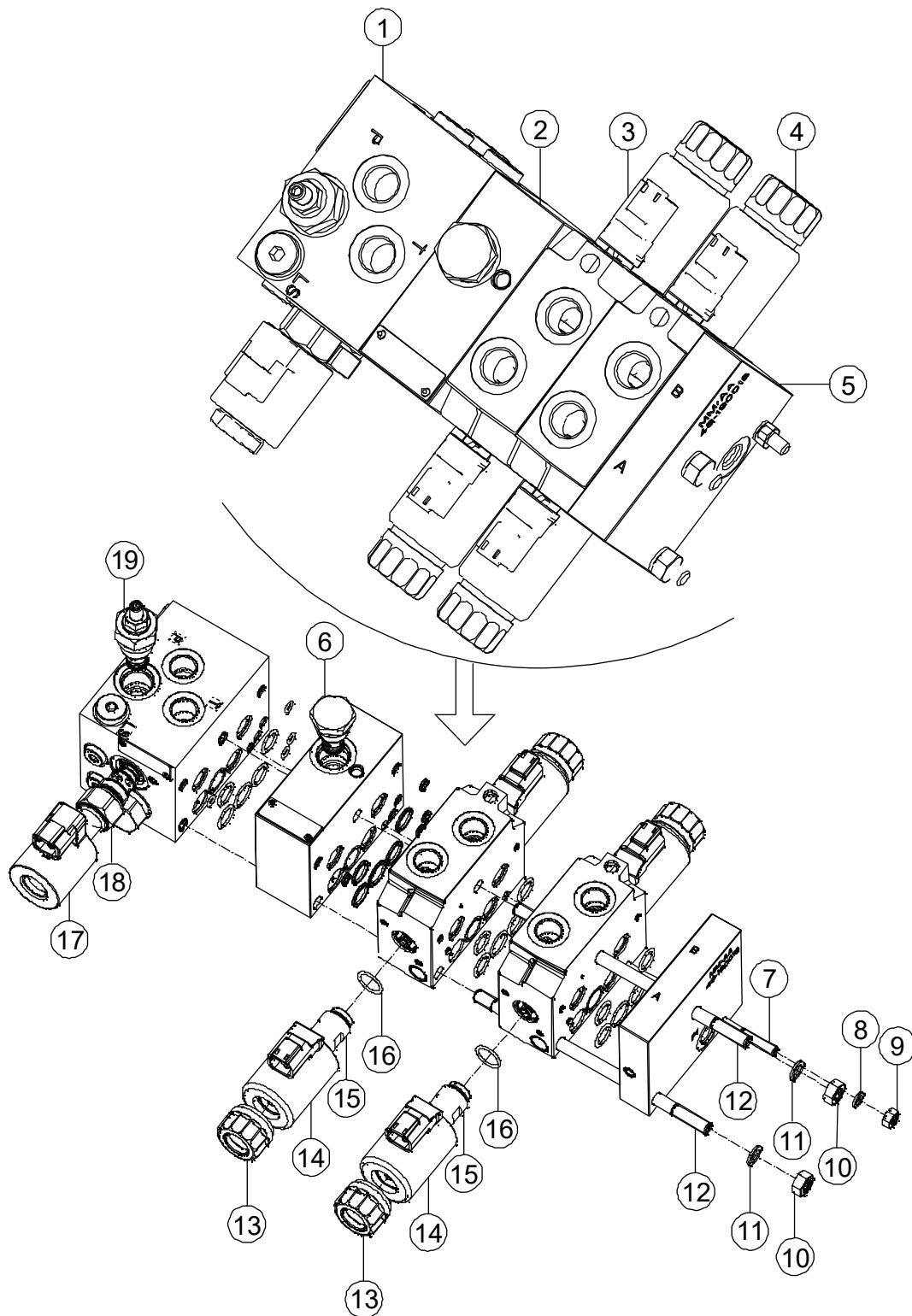
3-29 JIB Accessories Installations



3-29 JIB Accessories Installations

Item	Part Number	Description	Qty.	Remark
1	00000993	Bolt GB/T 5783 M8 × 25	8	
2	93000015	Spring Washer Φ8.2	22	
3	00001163	Nut GB/T 6182 M8	10	
4	93300481	Bracket	1	
5	00000538	Clamp	2	
6	90001243	Spacer	2	
7	00002507	Bolt GB/T 5783 M8 × 55	2	
8	93305785	Spring Washer Φ8.2	2	
9	00000818	Bolt GB/T 5783 M6 × 16	8	
10	93000014	Spring Washer Φ6.1	24	
11	93000264	Housing	2	
12	00000875	Bolt GB/T 5783 M8 × 20	4	
13	93300434	Bracket	1	
14	93200040	Valve Block (<i>Refer to 3-30</i>)	1	
15	00001033	Nut GB/T 6182 M6	8	
16	93303683	Bracket	2	
17	93304516	90° Flanschanschluss	2	
18	93000262	Wellrohr	2	
19	00006426	Screw GB/T 70 M6 × 80	8	

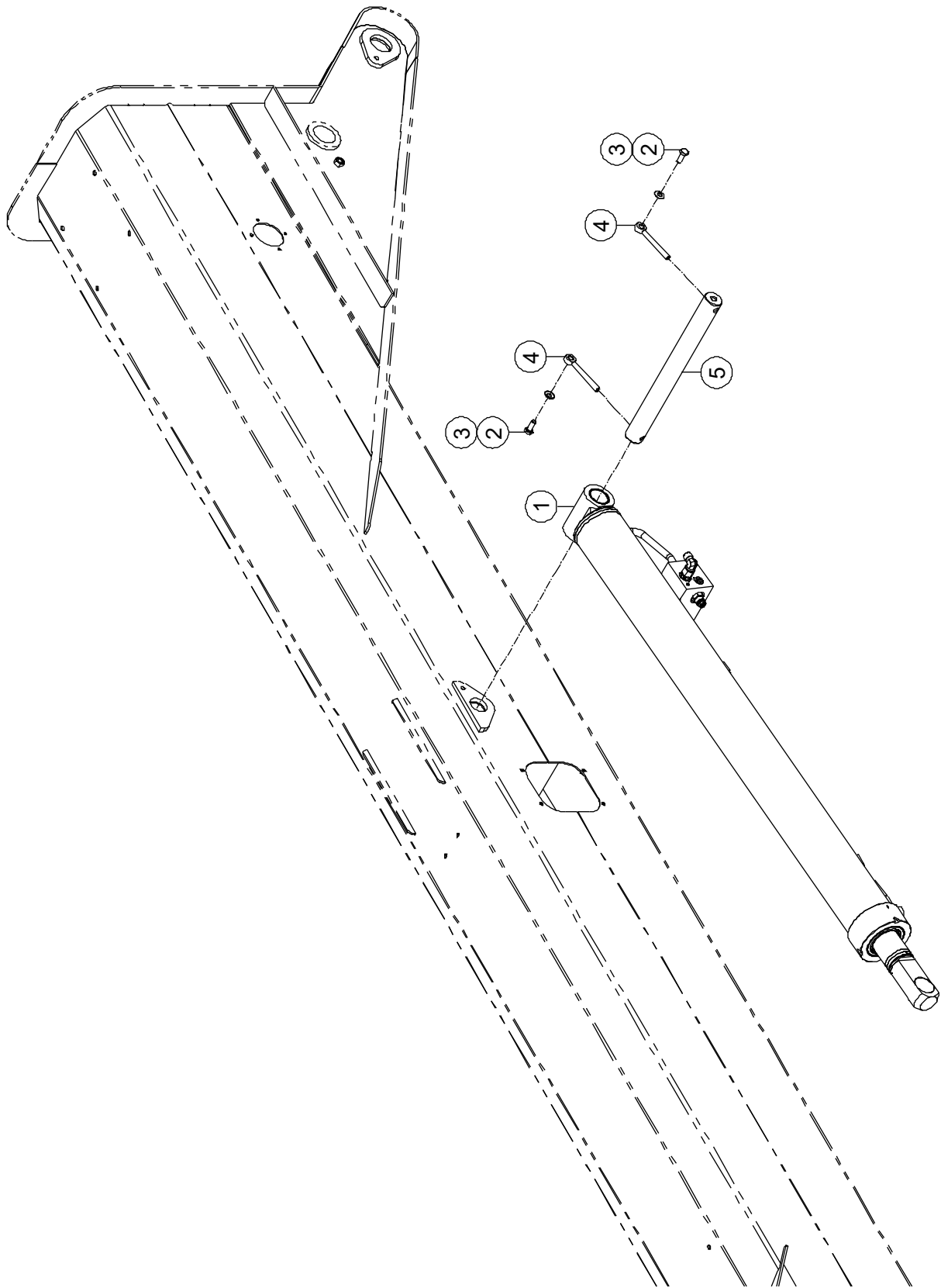
3-30 Valve Block



3-30 Valve Block

Item	Part Number	Description	Qty.	Remark
1	00011513	Inlet Unit	1	
2	00011512	Check Valve Assembly	1	
3	00011511	Work Unit, Platform Swing	1	
4	00011510	Work Unit, Platform Leveling	1	
5	00011509	Cover	1	
6	00011578	Cartridge, Check Valve	1	
7	00011539	Tie-Rod	1	
8	00011577	Lock-Washer	1	
9	00011544	Nut	1	
10	00011576	Nut	2	
11	00011547	Lock-Washer	2	
12	00011540	Tie-Rod	2	
13	00011522	Nut	4	
14	00011503	Coil	4	
15	00011500	Cartridge, Proportional Valve	4	
16	00011537	Seal	4	
17	00011502	Coil	1	
18	00011579	Cartridge, Solenoid Valve	1	
19	00011580	Cartridge, Relief Valve	1	

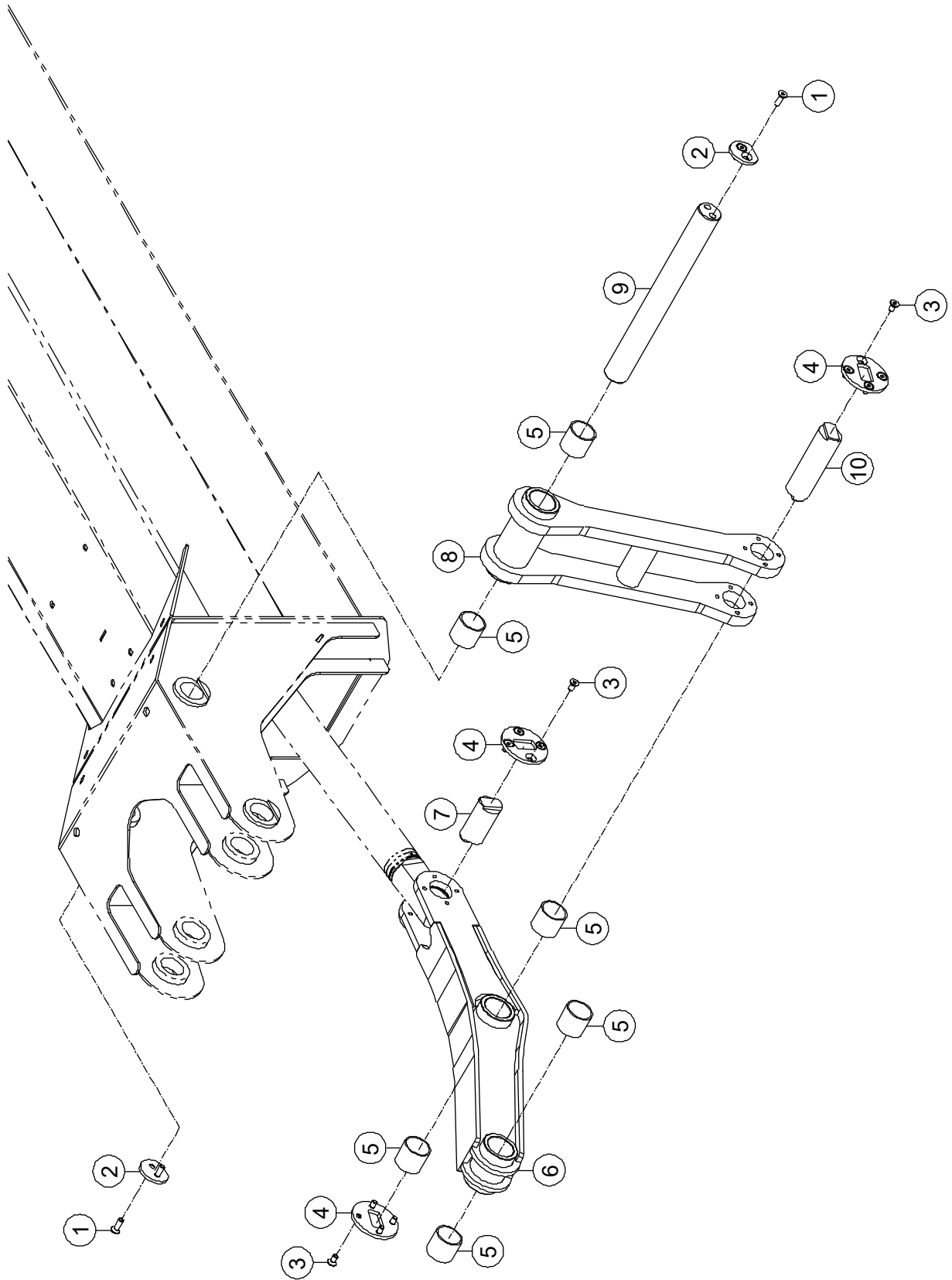
3-31 Leveling Cylinder Assembly Installations



3-31 Leveling Cylinder Assembly Installations

Item	Part Number	Description	Qty.	Remark
1		Leveling Cylinder Assembly (<i>Refer to 5-5</i>)	1	
2	00000678	Bolt GB/T 5783 M10 × 25	2	
3	93000016	Spring Washer Φ10.2	2	
4	00000221	8902-10095 Pin, Lock	2	
5	93300457	Pin, Pivot	1	

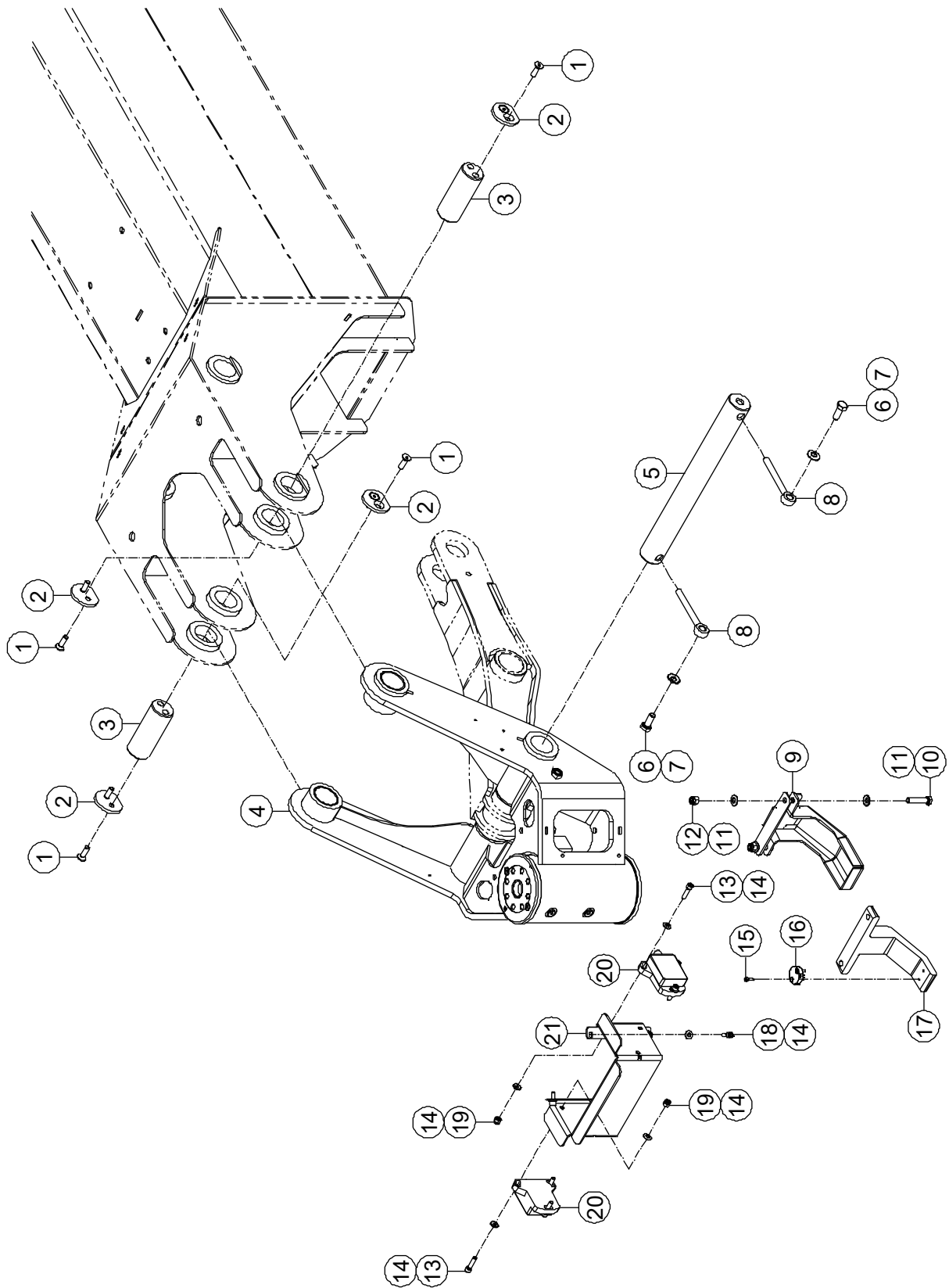
3-32 Jib and Linkage Installations



3-32 Jib and Linkage Installations

Item	Part Number	Description	Qty.	Remark
1	00000838	Screw GB/T 70.3 M8×25	4	
2	93300478	Cover	2	
3	00000837	Screw GB/T 70.3 M8×16	16	
4	93000772	Cover	4	
5	93300128	8813-404540 Sleeve Bearing	6	
6	93000504	Linkage	1	
7	93000774	Pin, Pivot	1	
8	93000271	Linkage	1	
9	93300569	Pin, Pivot	1	
10	93000771	Pin, Pivot	1	

3-33 Rotate Cylinder Assembly Installations

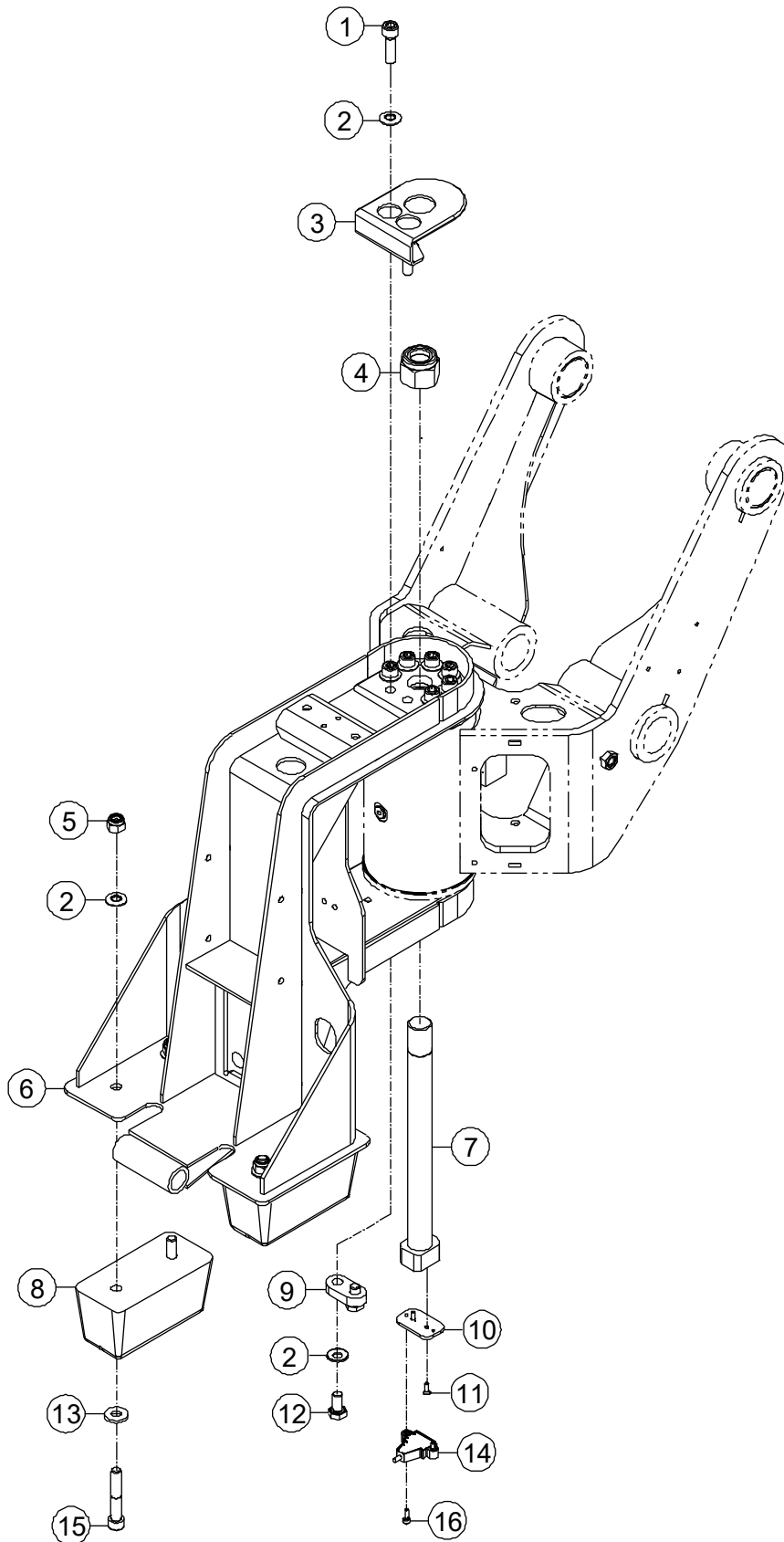


3-33 Rotate Cylinder Assembly Installations

Item	Part Number	Description	Qty.	Remark
1	00000838	Screw GB/T 70.3 M8×25	8	
2	93300478	Cover	4	
3	93300453	Pin, Pivot	2	
4	93200124	Rotate Cylinder Assembly	1	
5	93300584	Pin, Pivot	1	
6	00000678	Bolt GB/T 5783 M10 × 25	2	
7	93000016	Spring Washer Φ10.2	2	
8	00000221	8902-10095 Pin, Lock	2	
9	93300722	Housing	1	
10	00002604	Bolt GB/T 5783 M8 × 40	2	
11	93000015	Spring Washer Φ8.2	4	
12	00001163	Nut GB/T 6182 M8	2	
13	00001034	Screw GB/T 70 M6 × 25	6	
14	93000014	Spring Washer Φ6.1	16	
15	00001054	Screw GB/T 70 M4 × 12	2	
16	93300156	Actuator for magnetic angle sensors	1	
17	93300721	Bracket	1	
18	00000876	Screw GB/T 70 M6 × 16	4	
19	00001033	Nut GB/T 6182 M6	6	
20	00008914	Angle sensor	2	
21	93300947	Bracket	1	

Section 4 Platform

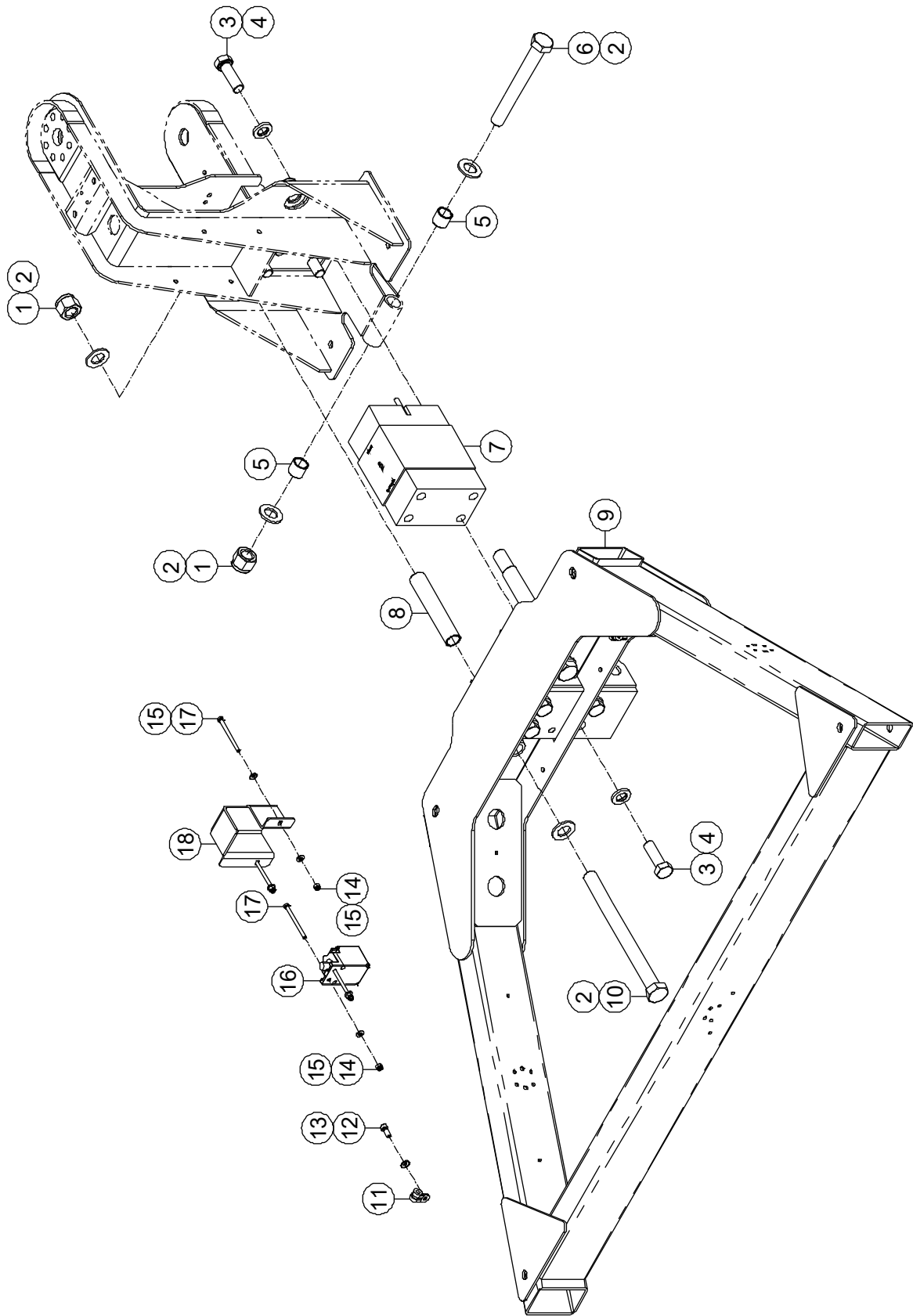
4-1 Rotate Cylinder Assembly And Support Installations



4-1 Rotate Cylinder Assembly And Support Installations

Item	Part Number	Description	Qty.	Remark
1	00002238	Screw GB/T 70 M10 × 35	8	
2	93000016	Spring Washer Φ10.2	14	
3	93300948	Housing	1	
4	00005262	Nut GB/T 6182 M24	1	
5	00000623	Nut GB/T 6182 M10	4	
6	93200128	Support	1	
7	93300704	Pin, Pivot	1	
8	10000041	Plate, Rubber	2	
9	93300705	Plate	1	
10	93300711	Bracket	1	
11	00000806	Screw GB/T 70.3 M4×12	2	
12	00000674	Bolt GB/T 5783 M10 × 20	2	
13	92100049	Washer	4	
14	93300021	Angle Sensor	1	
15	00000614	Screw GB/T 70 M10 × 60	4	
16	00001054	Screw GB/T 70 M4 × 12	2	

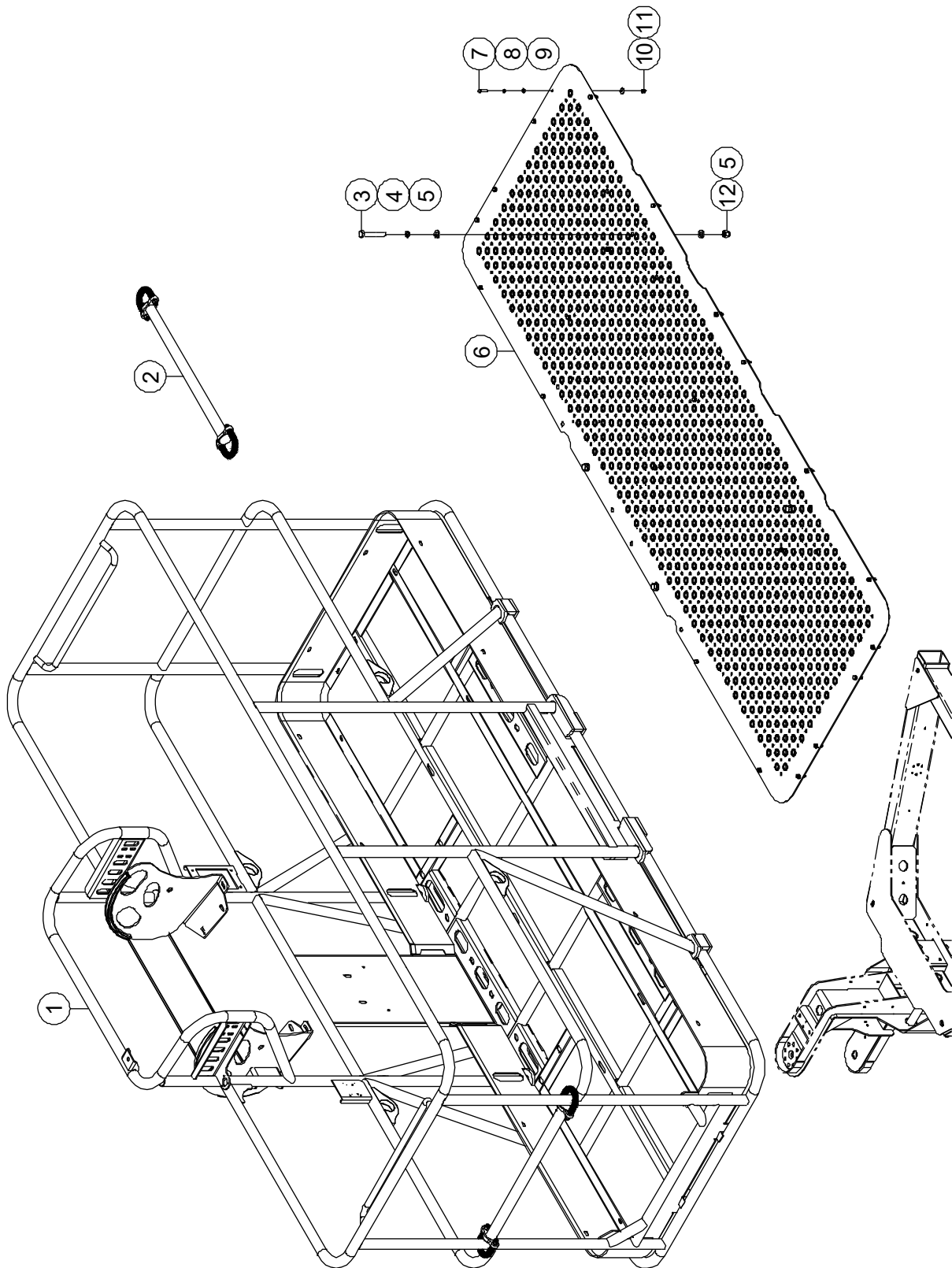
4-2 Support Installations



4-2 Support Installations

Item	Part Number	Description	Qty.	Remark
1	00001051	Nut GB/T 6182 M20	3	
2	00001050	Flat Washer GB/T 97.1 20	6	
3	00009822	Bolt GB/T 5786 M16×1.5 × 50	8	
4	00001102	Flat Washer 16 JB/ZQ 4080-2006	8	
5	93300950	Spacer	2	
6	00004486	Bolt GB/T 5782 M20 × 160	1	
7	93000253	Load Sensor	1	
8	93300937	Spacer	2	
9	93200129	Support	1	
10	00009823	Bolt GB/T 5782 M20 × 240	2	
11	93000291	Clamp	5	
12	00000876	Screw GB/T 70 M6 × 16	5	
13	93000014	Spring Washer Φ6.1	5	
14	00000613	Nut GB/T 6182 M5	4	
15	93000013	Spring Washer Φ5.1	6	
16	93300022	Ultrasonic Sensor	1	
17	00009824	Bolt GB/T 5783 M5 × 65	4	
18	93000614	Housing	1	

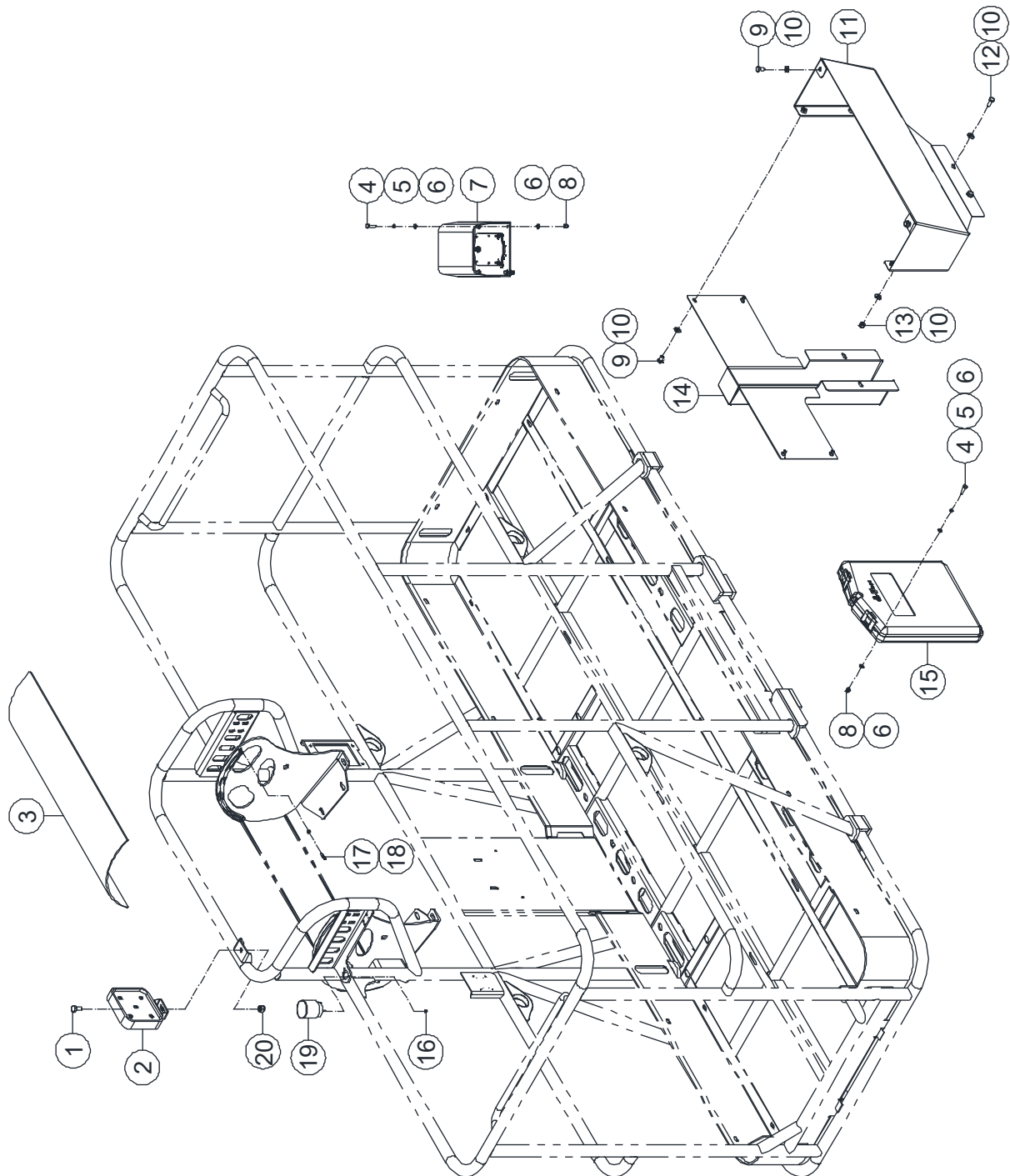
4-3 Platform Installations



4-3 Platform Installations

Item	Part Number	Description	Qty.	Remark
1	93200268	Platform	1	
2		Gate Assembly (Refer to 4-5)	2	
3	00002527	Bolt GB/T 5782 M12 × 80	4	
4	00000815	Spring Washer GB/T 93 12	4	
5	00000814	Flat Washer GB/T 97.1 12	8	
6	92100316	Deck Plate	1	
7	00000619	Bolt GB/T 5783 M6 × 25	24	
8	00000621	Spring Washer GB/T 93 6	24	
9	00000620	Flat Washer GB/T 97.1 6	24	
10	00001033	Nut GB/T 6182 M6	24	
11	00002583	Flat Washer GB/T 96.1 6	24	
12	00001249	Nut GB/T 6182 M12	4	

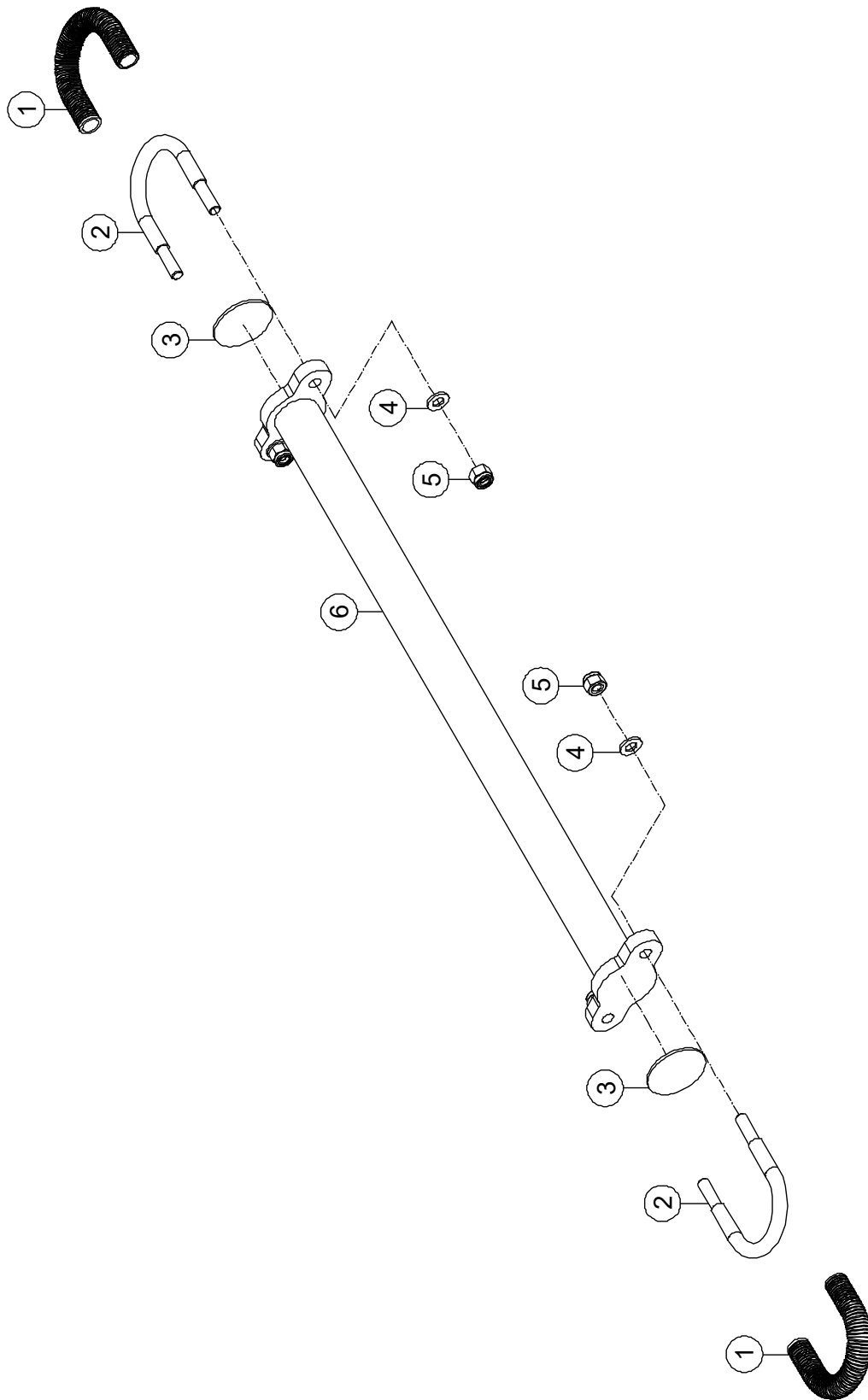
4-4 Platform Assembly



4-4 Platform Assembly

Item	Part Number	Description	Qty.	Remark
1	00000674	Bolt GB/T 5783 M10 × 20	1	
2	00006753	Head Light	1	
3	92000228	Shield, Plastic	1	
4	00000619	Bolt GB/T 5783 M6 × 25	8	
5	00000621	Spring Washer GB/T 93 6	8	
6	00000620	Flat Washer GB/T 97.1 6	16	
7	00005212	Footswitch	1	
8	00001033	Nut GB/T 6182 M6	8	
9	00001063	Bolt GB/T 5783 M8 × 16	6	
10	93000015	Spring Washer Φ8.2	10	
11	93200385	Housing	1	
12	00000875	Bolt GB/T 5783 M8 × 20	2	
13	00001163	Nut GB/T 6182 M8	2	
14	93000799	Housing	1	
15	50000555	Box, Manual	1	
16	00003700	Nut GB/T 889.1 M3	3	
17	00001030	Screw GB/T 70 M5 × 10	2	
18	00000688	Nut GB/T 6170 M5	2	
19	00005190	Beacon	1	
20	00000623	Nut GB/T 6182 M10	1	

4-5 Gate Assembly



4-5 Gate Assembly

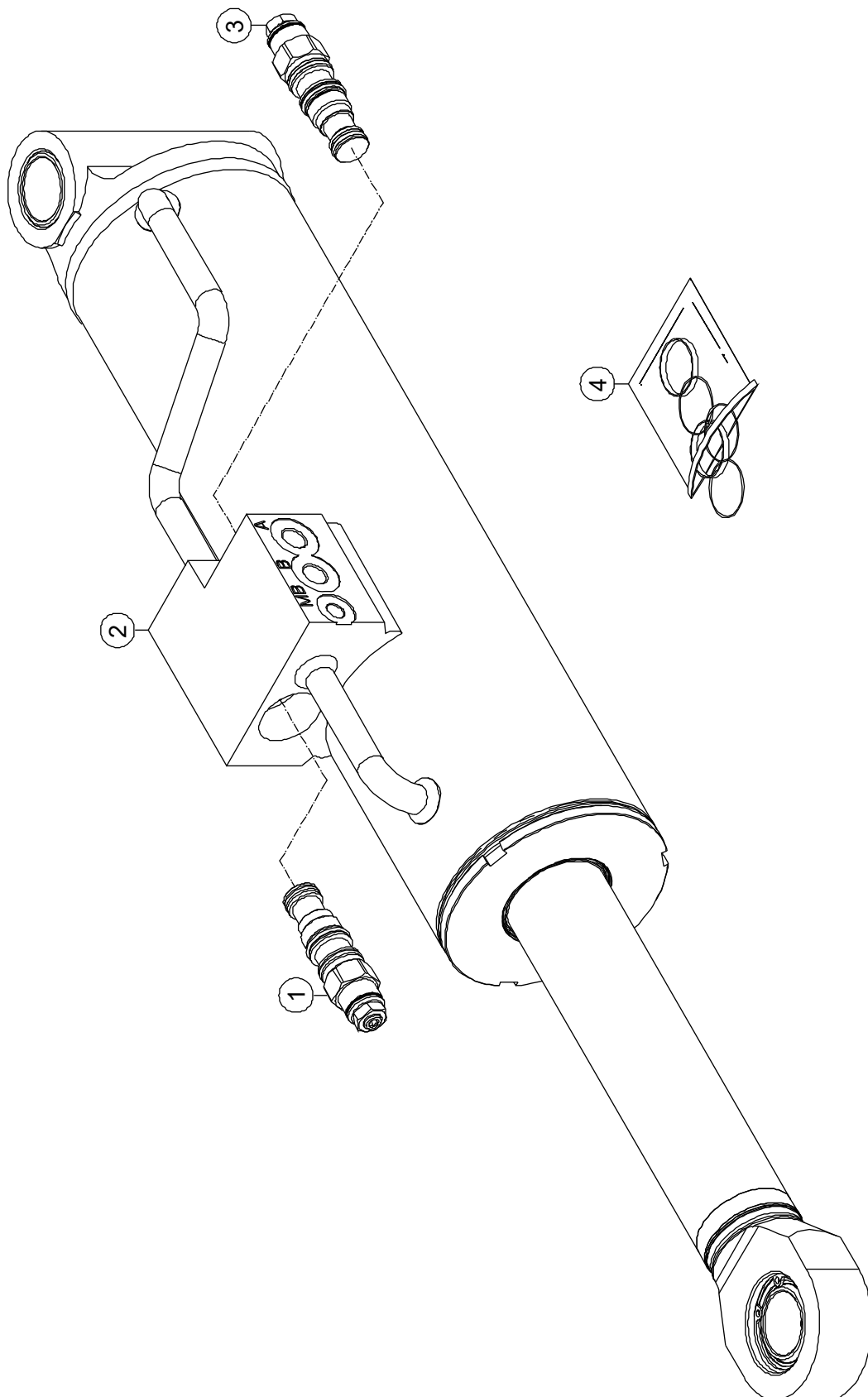
Item	Part Number	Description	Qty.	Remark
1	92100232	Jacket	2	
2	92100228	Clamp	2	
3	92100249	Anti-Scratch	2	
4	00000608	Flat Washer GB/T 97.1 8	4	
5	00001163	Nut GB/T 6182 M8	4	
6	92100229	Gate, Lift	1	

4-6 Lift Guard Contact Alarm

Item	Part Number	Description	Qty.	Remark
1	00001163	Nut GB/T 6182 M8	8	
2	00000608	Flat Washer GB/T 97.1 8	16	
3	92000231	Bracket, Contact Alarm	2	
4	00000609	Spring Washer GB/T 93 8	8	
5	00000993	Bolt GB/T 5783 M8 × 25	8	
6	92000239	Pin	2	
7	92000238	Tube	2	
8	92000237	Spring	2	
9	92000236	JDBB-1013 Bearing	4	
10	92000253	Jacket, Foam	2	
11	00006226	Magnet	1	
12	92000243	Plug, Nylon	2	
13	92000240	Tube, Contact Alarm	2	
14	00000620	Flat Washer GB/T 97.1 6	2	
15	00001033	Nut GB/T 6182 M6	2	
16	00006225	Door Magnetic Switch	1	

Section 5 Cylinder

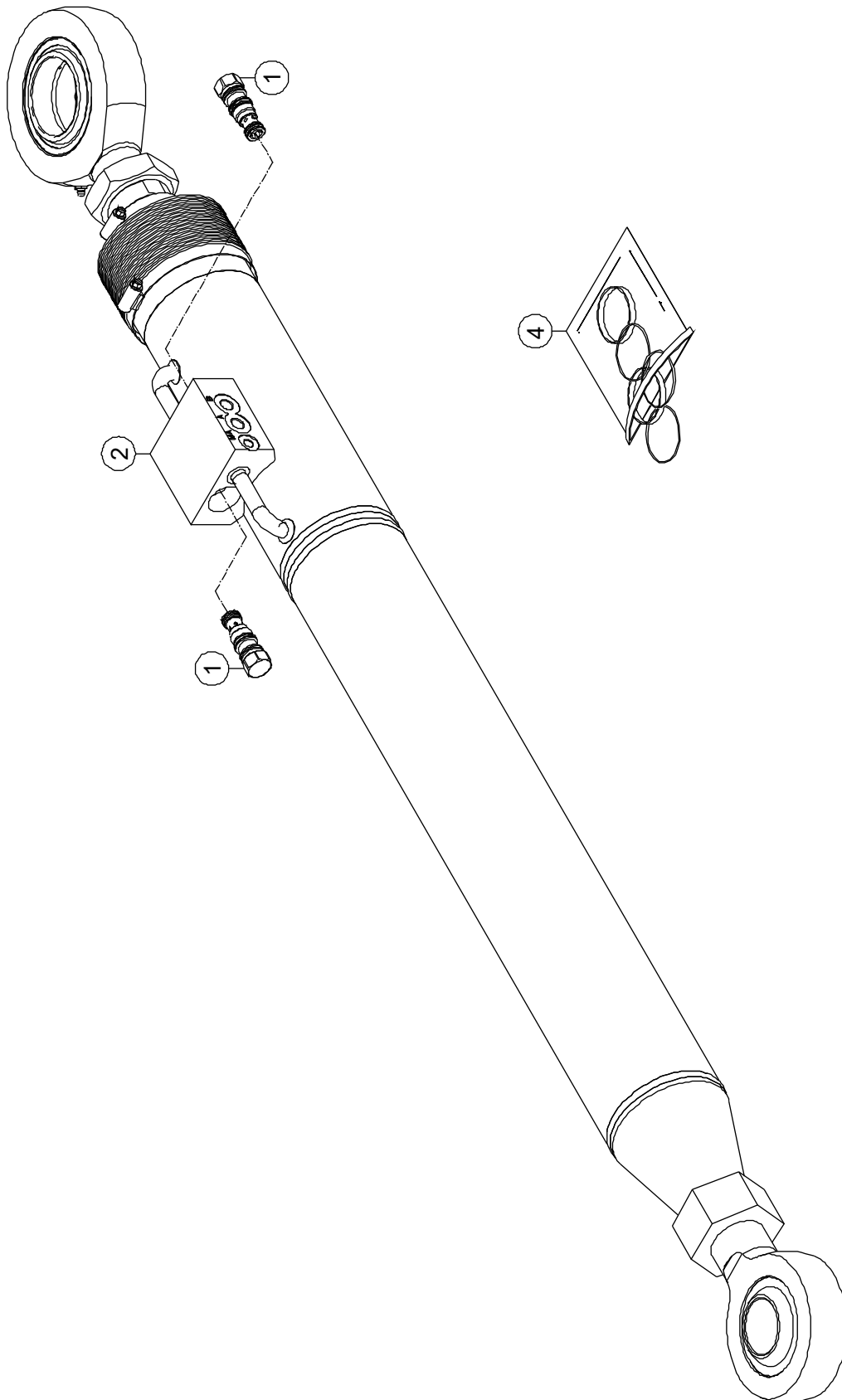
5-1 Steer Cylinder Assembly



5-1 Steer Cylinder Assembly

Item	Part Number	Description	Qty.	Remark
1	93000459	Cartridge, Valve (Counterbalance)	1	
2	93200539	Steer Cylinder Assembly	1	
3	93000143	Cartridge, Valve (Counterbalance)	1	
4	93000617	Seal Kit 100/50	1	

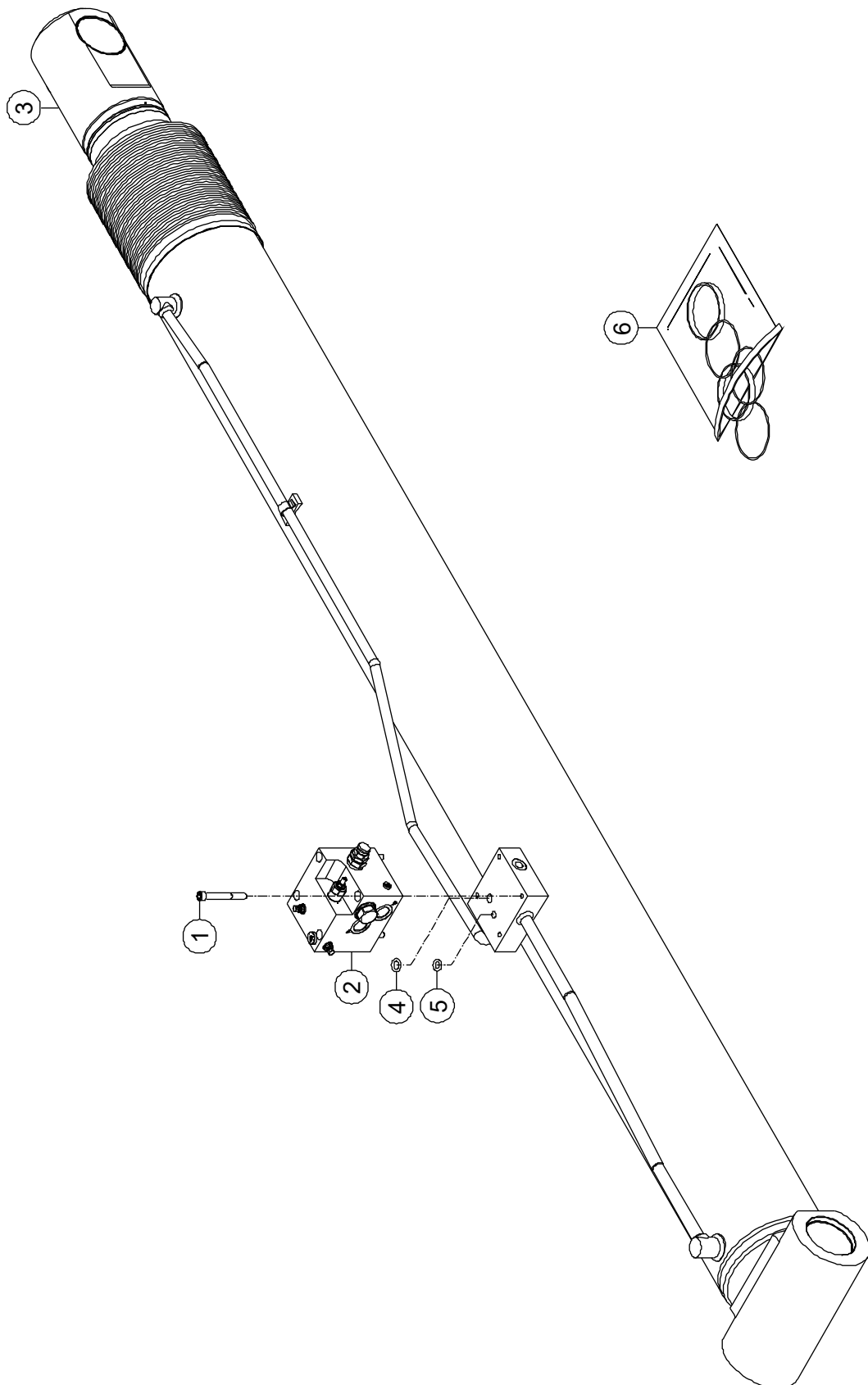
5-2 Axle Extend Cylinder Assembly



5-2 Axle Extend Cylinder Assembly

Item	Part Number	Description	Qty.	Remark
1	93000133	Check Valve	2	
2	93200031	Axle Extend Cylinder Assembly	1	
3	93000620	Seal Kit 100/60	1	

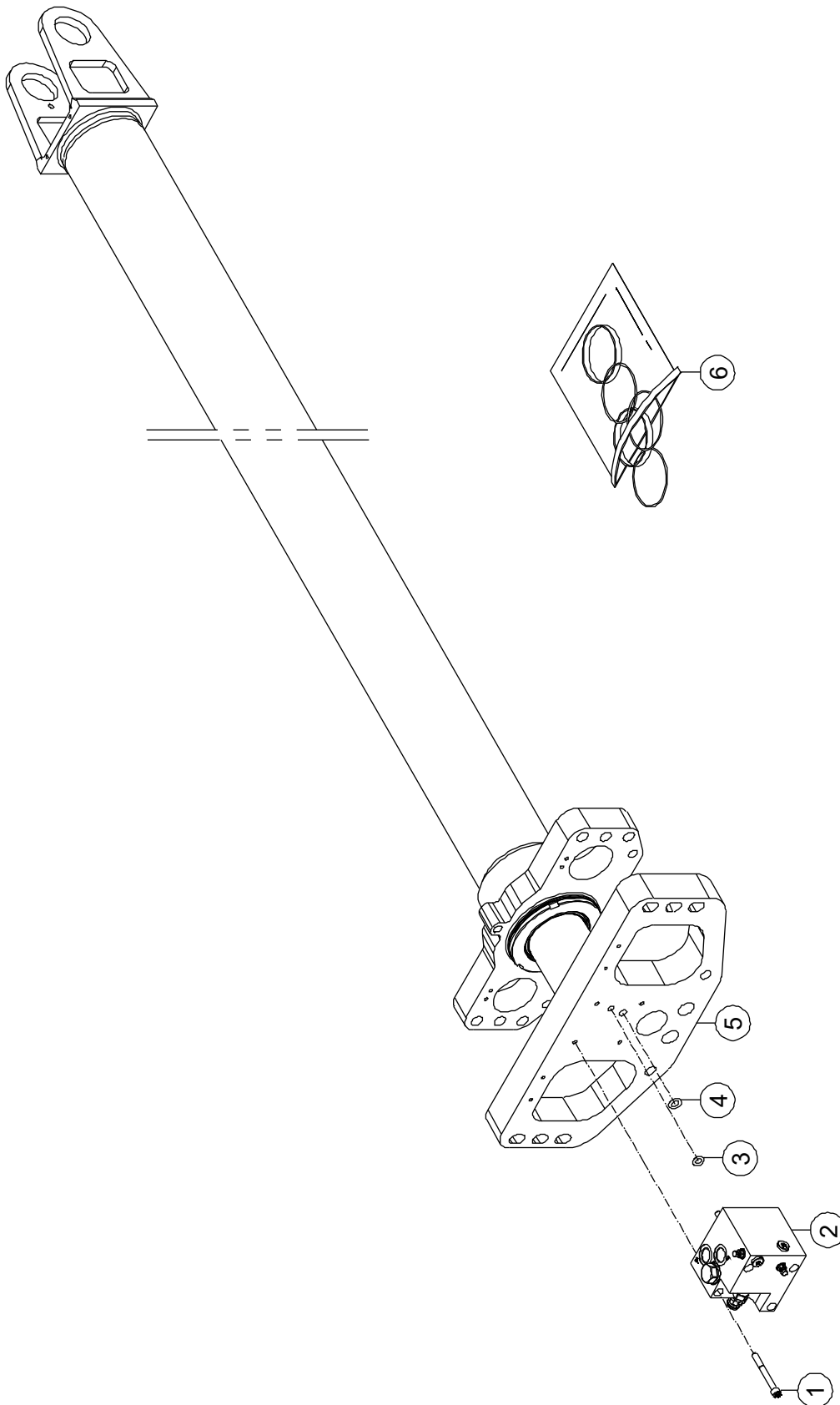
5-3 Lifting Cylinder Assembly



5-3 Lifting Cylinder Assembly

Item	Part Number	Description	Qty.	Remark
1	00003052	Screw GB/T 70 M10 × 90	4	
2	93000462	Counterbalance Valve	1	
3	93200032	Lifting Cylinder Assembly	1	
4	00001715	O-Ring	1	
5	00001711	O-Ring	1	
6	93000622	Seal Kit 200/160	1	

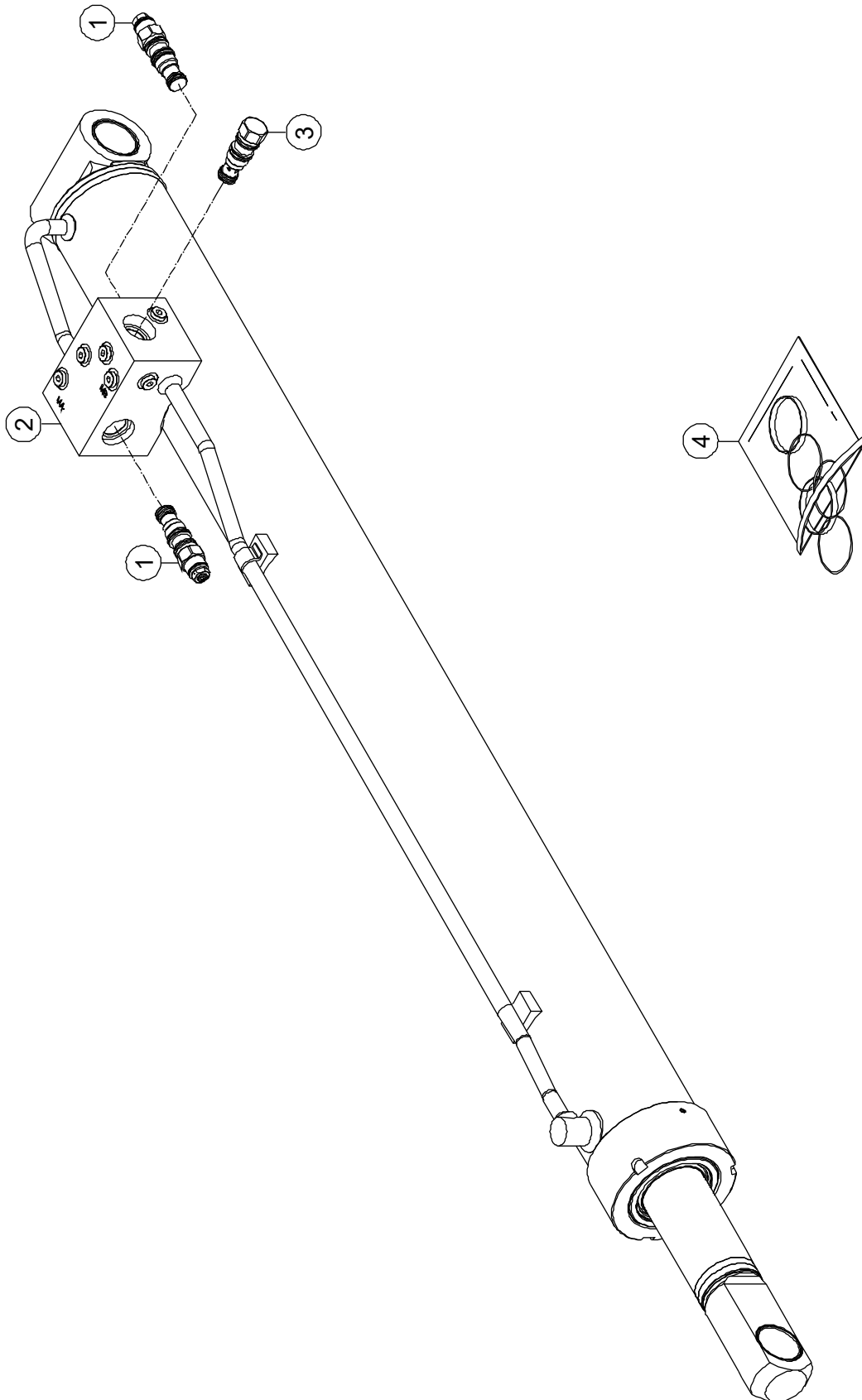
5-4 Telescopic Cylinder Assembly



5-4 Telescopic Cylinder Assembly

Item	Part Number	Description	Qty.	Remark
1	00003052	Screw GB/T 70 M10 × 90	4	
2	93000462	Counterbalance Valve	1	
3	00001711	O-Ring	1	
4	00001715	O-Ring	1	
5	93200033	Telescopic Cylinder Assembly	1	BT44HRT BT36HRT
	93200312	Telescopic Cylinder Assembly	1	BT41HRT
6	93000619	Seal Kit 140/110	1	

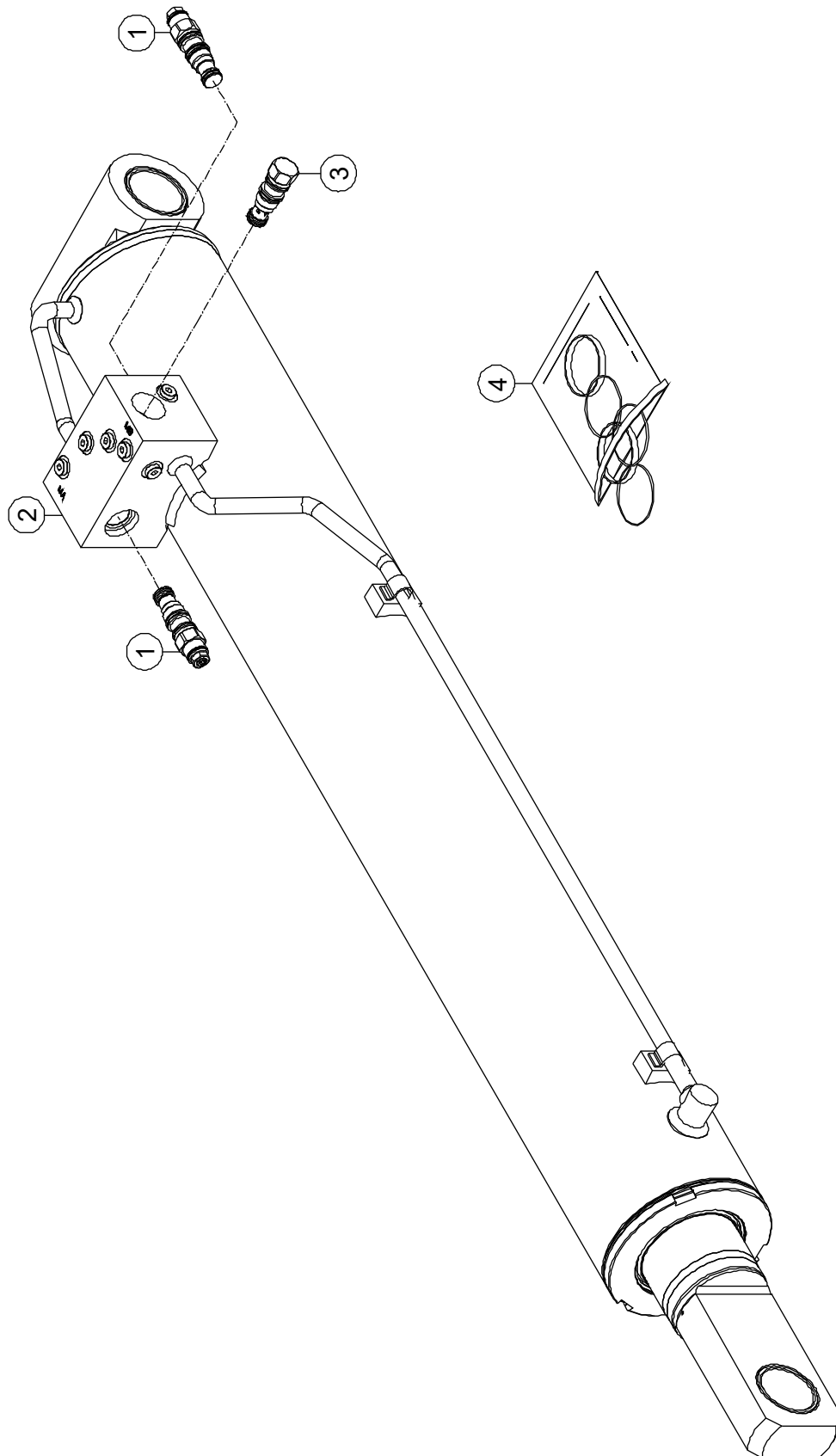
5-5 Leveling Cylinder Assembly



5-5 Leveling Cylinder Assembly

Item	Part Number	Description	Qty.	Remark
1	93000143	Cartridge, Valve (Counterbalance)	2	
2	93200035	Leveling Cylinder Assembly	1	
3	93000133	Check Valve	1	
4	93000618	Seal Kit 100/60	1	

5-6 JIB Lifting Cylinder Assembly

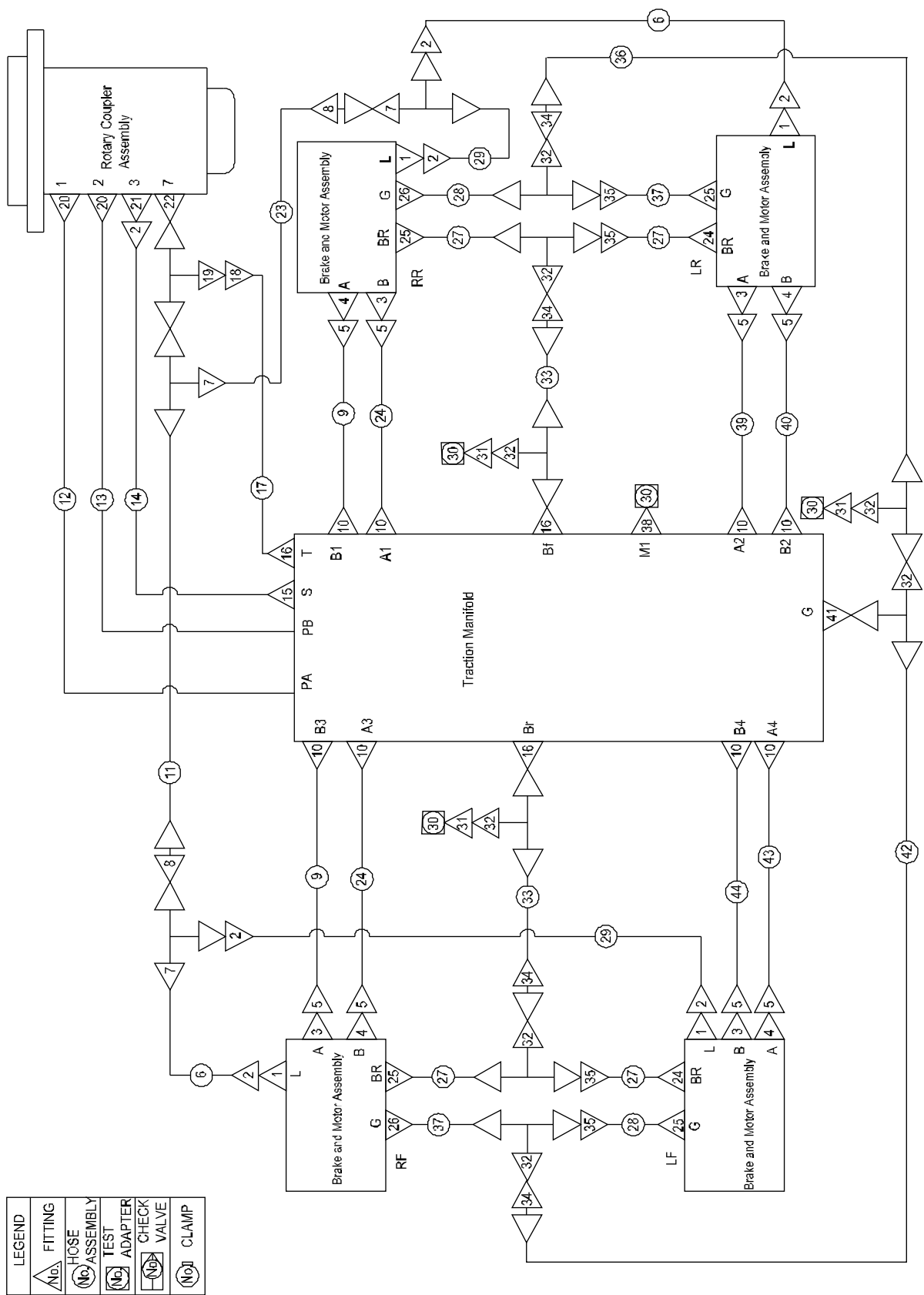


5-6 JIB Lifting Cylinder Assembly

Item	Part Number	Description	Qty.	Remark
1	93000143	Cartridge, Valve (Counterbalance)	2	
2	93200540	JIB Lifting Cylinder Assembly	1	
3	93000133	Check Valve	1	
4	93000618	Seal Kit 100/60	1	

Section 6 Hydraulic System

6-1 Chassis Circuit 1



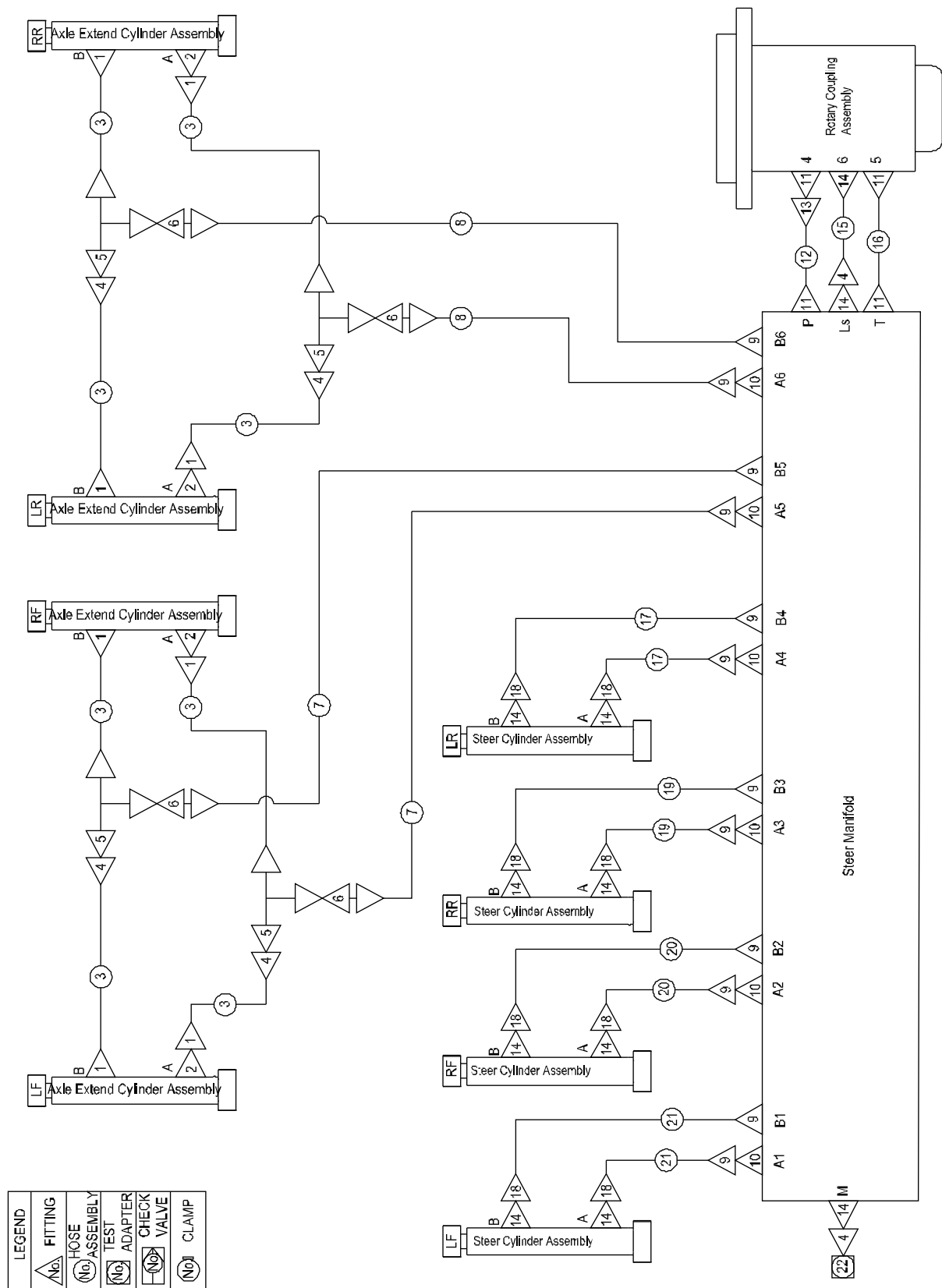
6-1 Chassis Circuit 1

Item	Part Number	Description	Qty.	Remark
1	00001776	Fitting, Straight	4	
2	00001835	Fitting, 90°	7	
3	00001006	Fitting, Customize	4	
4	00002073	Fitting, Straight	4	
5	00001841	Fitting, 90°	8	
6	50008569	Hose Assembly	2	
7	00001240	Fitting, Tee	3	
8	00002138	Fitting, Straight, Bulkhead	2	
9	50008559	Hose Assembly	2	
10	00009833	Fitting, Flang	8	
--	00008672	SAE Flange Fitting FS-12	8	
--	93305786	Spring Washer Φ10.2	32	
--	00002238	Screw GB/T 70 M10 × 35	32	
11	50008500	Hose Assembly	1	
12	50008492	Hose Assembly	1	
--	00008672	SAE Flange Fitting FS-12	2	
--	93305786	Spring Washer Φ10.2	8	
--	00002238	Screw GB/T 70 M10 × 35	8	
13	50008493	Hose Assembly	1	
--	00008672	SAE Flange Fitting FS-12	2	
--	93305786	Spring Washer Φ10.2	8	
--	00002238	Screw GB/T 70 M10 × 35	8	
14	50008494	Hose Assembly	1	
15	00001264	Fitting, Straight	1	
16	00001271	Fitting, Straight	3	
17	50008498	Hose Assembly	1	
18	00005926	Fitting, Straight,RED	1	
19	00002121	Fitting, Tee	1	
20	00001747	Fitting, Straight	2	

6-1 Chassis Circuit 1 (Continued)

Item	Part Number	Description	Qty.	Remark
21	00001507	Fitting, Straight	1	
22	00001506	Fitting, Straight	1	
23	50008499	Hose Assembly	1	
24	50008558	Hose Assembly	2	
25	00010009	Fitting, Straight, Lengthening	4	
26	00010008	Fitting, Straight, Lengthening	4	
27	50008556	Hose Assembly	4	
28	50008553	Hose Assembly	2	
29	50008557	Hose Assembly	2	
30	93300854	Sensor	4	
31	00006016	Fitting, Straight, Pressure gauge	3	
32	00001237	Fitting, Tee	8	
33	50008555	Hose Assembly	2	
34	00002135	Fitting, Straight, Bulkhead	4	
35	00001832	Fitting, 90°	4	
36	50008552	Hose Assembly	1	
37	50008554	Hose Assembly	2	
38	92048451	Fitting, Customize	1	
39	50008560	Hose Assembly	1	
40	50008571	Hose Assembly	1	
41	00001769	Fitting, Straight	1	
42	50008551	Hose Assembly	1	
43	50008561	Hose Assembly	1	
44	50008570	Hose Assembly	1	

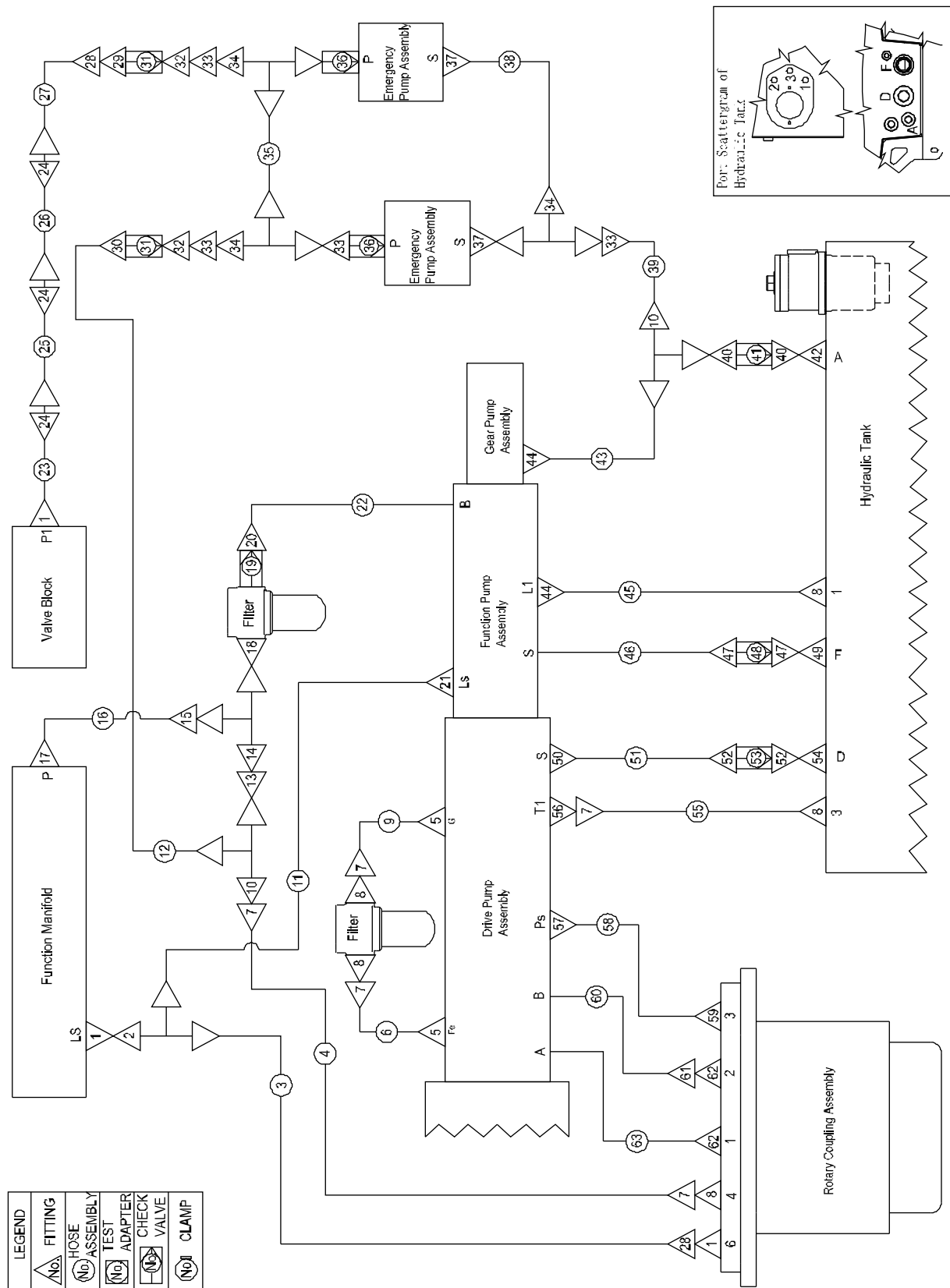
6-2 Chassis Circuit 2



6-2 Chassis Circuit 2

Item	Part Number	Description	Qty.	Remark
1	00001316	Fitting, Straight	8	
2	92048451	Fitting, Straight	4	
3	50008568	Hose Assembly	8	
4	00001832	Fitting, 90°	6	
5	00001237	Fitting, Tee	4	
6	00002135	Fitting, Straight, Bulkhead	4	
7	50008652	Hose Assembly	2	
8	50008567	Hose Assembly	2	
9	00001315	Fitting, Straight	12	
10	92048866	Fitting, Customize	6	
11	00001506	Fitting, Straight	4	
12	50008495	Hose Assembly	1	
13	00001835	Fitting, 90°	1	
14	00001316	Fitting, Straight	11	
15	50008497	Hose Assembly	1	
16	50008496	Hose Assembly	1	
17	50008565	Hose Assembly	2	
18	00007779	Fitting, 45°	8	
19	50008564	Hose Assembly	2	
20	50008563	Hose Assembly	2	
21	50008562	Hose Assembly	2	
22	93300854	Sensor	1	

6-3 Turntable Circuit 1



6-3 Turntable Circuit 1

Item	Part Number	Description	Qty.	Remark
1	00001316	Fitting, Straight	3	
2	00001237	Fitting, Tee	1	
3	50008508	Hose Assembly	1	
4	50008517	Hose Assembly	1	
5	00001264	Fitting, Straight	2	
6	50008512	Hose Assembly	1	
7	00001835	Fitting, 90°	5	
8	00001506	Fitting, Straight	5	
9	50008513	Hose Assembly	1	
10	00001240	Fitting, Tee	2	
11	50008509	Hose Assembly	1	
12	50008520	Hose Assembly	1	
13	00009851	Fitting, Straight, RED	1	
14	00005916	Fitting, Tee, RED	1	
15	00001843	Fitting, 90°	1	
16	93000064	Tube, steel	1	
17	00001753	Fitting, Straight	1	
18	00005633	Fitting, Straight, Swivel	1	
19	93300786	Check Valve	1	
20	00001844	Fitting, 90°	1	
21	00001769	Fitting, Straight	1	
22	50008502	Hose Assembly	1	
--	00008472	SAE Flange Fitting FL-16	1	
--	93305786	Spring Washer $\Phi 10.2$	4	
--	00001059	Screw GB/T 70 M10 \times 30	4	
23	50008543	Hose Assembly	1	
24	00002135	Fitting, Straight, Bulkhead	3	
25	50008532	Hose Assembly	1	BT44HRT
	93000579	Hose Assembly	1	BT41HRT

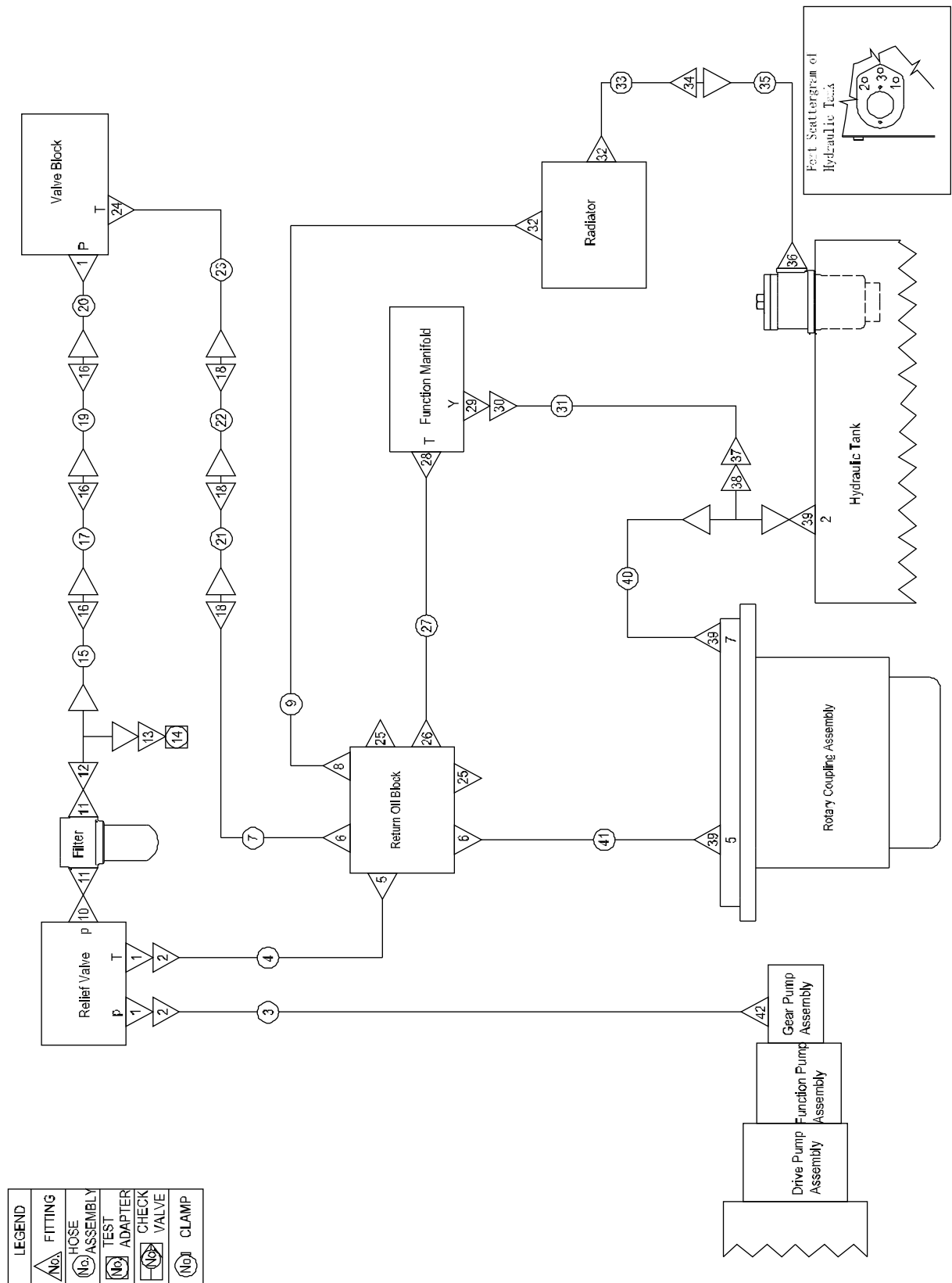
6-3 Turntable Circuit 1 (Continued)

Item	Part Number	Description	Qty.	Remark
26	50008533	Hose Assembly	1	BT44HRT
	93000583	Hose Assembly	1	BT41HRT
	93000587	Hose Assembly	1	BT36HRT
27	50008534	Hose Assembly	1	
28	00001832	Fitting, 90°	2	
29	00001315	Fitting, Straight	1	
30	00001501	Fitting, Straight	1	
31	90003092	Check Valve	2	
32	00003088	Fitting, Straight, Swivel	2	
33	00001834	Fitting, 90°	4	
34	00001239	Fitting, Tee	3	
35	93200292	Tube, steel	1	
36	93300770	Check Valve	2	
37	00006048	Fitting, Benjo elbow	2	
38	93200293	Tube, steel	1	
39	50008519	Hose Assembly	1	
40	00010727	Fitting, Straight	2	
41	93200059	Vavle, Ball	1	
42	00005615	Fitting, Straight, Swivel	1	
43	50008510	Hose Assembly	1	
44	00001776	Fitting, Straight	2	
45	93000761	Hose Assembly	1	
46	93000610	Hose Assembly	1	
--	00006588	SAE Flange Fitting FL-24	1	
--	93305787	Spring Washer Φ 12.4	4	
--	00006425	Screw GB/T 70 M12 × 35	4	
47	00010726	Fitting, Straight	2	
48	93200061	Vavle, Ball	1	
49	00005621	Fitting, Straight, Swivel	1	

6-3 Turntable Circuit 1 (Continued)

Item	Part Number	Description	Qty.	Remark
50	00002071	Fitting, Straight	1	
51	50008577	Hose Assembly	1	
52	00010725	Fitting, Straight	2	
53	93200060	Valve, Ball	1	
54	00005619	Fitting, Straight, Swivel	1	
55	50008838	Hose Assembly	1	
56	00001266	Fitting, Straight	1	
57	00001261	Fitting, Straight	1	
58	50008579	Hose Assembly	1	
59	00001507	Fitting, Straight	1	
60	50008576	Hose Assembly	1	
--	00008672	SAE Flange Fitting FS-12	1	
--	93305786	Spring Washer $\Phi 10.2$	4	
--	00002238	Screw GB/T 70 M10 \times 35	4	
61	00001842	Fitting, 90°	1	
62	00001747	Fitting, Straight	2	
63	50008575	Hose Assembly	1	
--	00008672	SAE Flange Fitting FS-12	1	
--	93305786	Spring Washer $\Phi 10.2$	4	
--	00002238	Screw GB/T 70 M10 \times 35	4	

6-4 Turntable Circuit 2



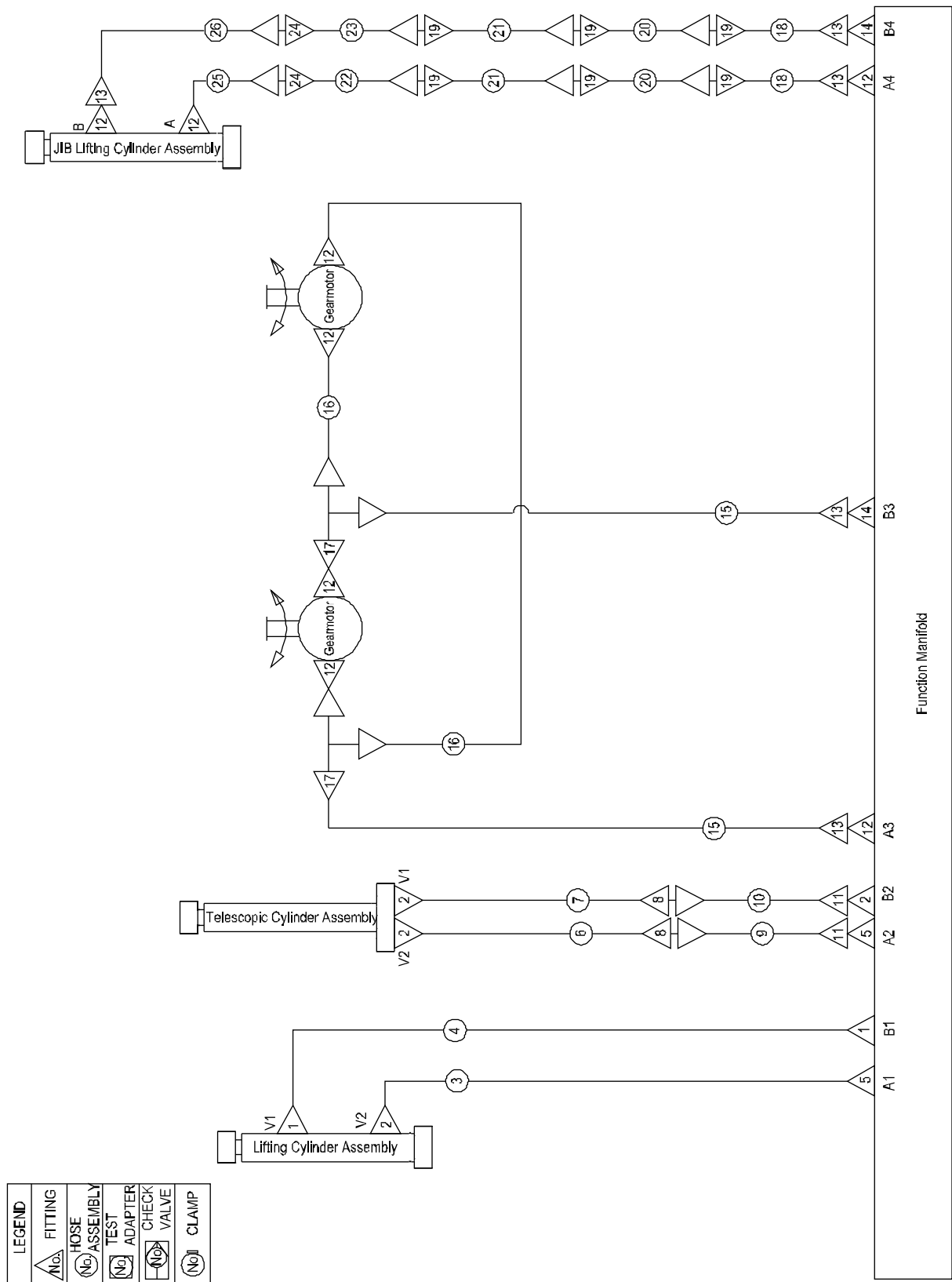
6-4 Turntable Circuit 2

Item	Part Number	Description	Qty.	Remark
1	00001501	Fitting, Straight	3	
2	00001834	Fitting, 90°	2	
3	50004554	Hose Assembly	1	
4	93000607	Hose Assembly	1	
5	00006556	Fitting, Straight	1	
6	00001226	Fitting, Straight	2	
7	50008540	Hose Assembly	1	
8	00002071	Fitting, Straight	1	
9	50008525	Hose Assembly	1	
10	00003088	Fitting, Straight, Swivel	1	
11	00001504	Fitting, Straight	2	
12	00001239	Fitting, Tee	1	
13	00006018	Fitting, Straight, Pressure gauge	1	
14	93300854	Sensor	1	
15	50008537	Hose Assembly	1	
16	00002137	Fitting, Straight, Bulkhead	3	
17	50008530	Hose Assembly	1	BT44HRT
	93000582	Hose Assembly	1	BT41HRT
	50008536	Hose Assembly	1	BT36HRT
18	00002138	Fitting, Straight, Bulkhead	3	
19	50008535	Hose Assembly	1	BT44HRT
	93000580	Hose Assembly	1	BT41HRT
20	50008541	Hose Assembly	1	
21	50008539	Hose Assembly	1	BT44HRT
	93000584	Hose Assembly	1	BT41HRT
	93000586	Hose Assembly	1	BT36HRT
22	50008538	Hose Assembly	1	BT44HRT
	93000581	Hose Assembly	1	BT41HRT
23	50008542	Hose Assembly	1	

6-4 Turntable Circuit 2 (Continued)

Item	Part Number	Description	Qty.	Remark
24	00001507	Fitting, Straight	1	
25	00001074	Plug	2	
26	00001269	Fitting, Straight	1	
27	50008524	Hose Assembly	1	
28	00001725	Fitting, Straight	1	
29	00001316	Fitting, Straight	1	
30	00001832	Fitting, 90°	1	
31	50003898	Hose Assembly	1	
32	00009850	Fitting, Straight	2	
33	50008526	Hose Assembly	1	
34	00005846	Fitting, Straight	1	
35	93000102	Tube, steel	1	
36	00001726	Fitting, Straight	1	
37	00005926	Fitting, Straight,RED	1	
38	00001240	Fitting, Tee	1	
39	00001506	Fitting, Straight	3	
40	50008516	Hose Assembly	1	
41	50008518	Hose Assembly	1	
42	00001773	Fitting, Straight	1	

6-5 Telescopic Boom Circuit



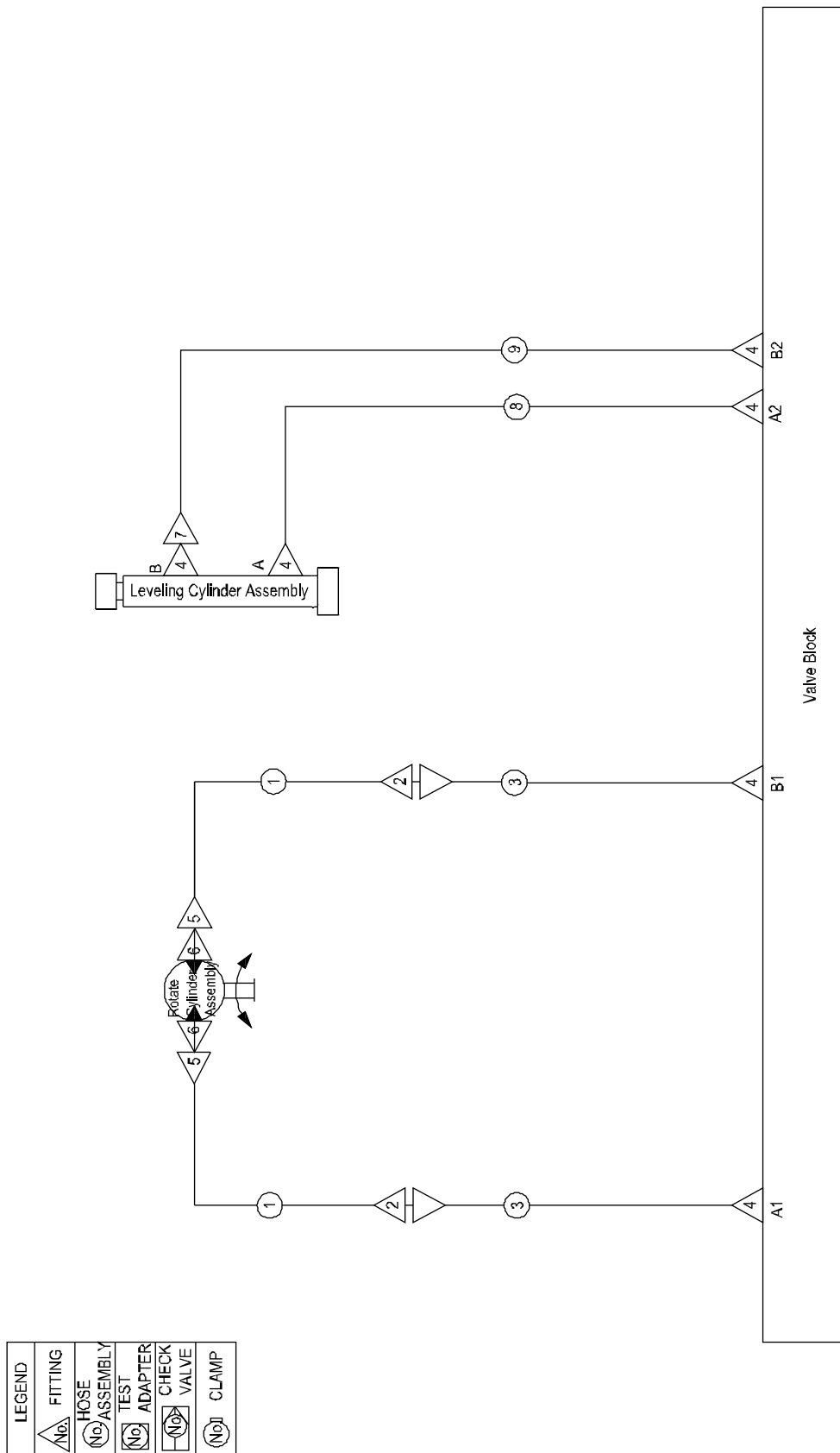
6-5 Telescopic Boom Circuit

Item	Part Number	Description	Qty.	Remark
1	00001745	Fitting, Straight	2	
2	00001747	Fitting, Straight	4	
3	50008505	Hose Assembly	1	
4	50008506	Hose Assembly	1	
5	00009852	Fitting, Straight	2	
6	93200295	Tube, steel	1	
7	93200296	Tube, steel	1	
8	00005856	Fitting, Straight	2	
9	50008527	Hose Assembly	1	
10	50008528	Hose Assembly	1	
11	00001842	Fitting, 90°	2	
12	00001501	Fitting, Straight	8	
13	00001834	Fitting, 90°	5	
14	92048866	Fitting, Customize	2	
15	50008521	Hose Assembly	2	
16	50004609	Hose Assembly	2	
17	00001239	Fitting, Tee	2	
18	50008839	Hose Assembly	2	
19	00002137	Fitting, Straight, Bulkhead	6	
20	50008530	Hose Assembly	2	BT44HRT
	93000582	Hose Assembly	2	BT41HRT
	93000585	Hose Assembly	2	BT36HRT
21	50008529	Hose Assembly	2	BT44HRT
	93000578	Hose Assembly	2	BT41HRT
22	93200230	Tube, steel	1	BT44HRT BT41HRT
	93000482	Tube, steel	1	BT36HRT
23	93200229	Tube, steel	1	BT44HRT BT41HRT
	93000483	Tube, steel	1	BT36HRT

6-5 Telescopic Boom Circuit (Continued)

Item	Part Number	Description	Qty.	Remark
24	00004469	Fitting, Straight	2	
25	50008545	Hose Assembly	1	
26	50008546	Hose Assembly	1	

6-6 JIB Circuit

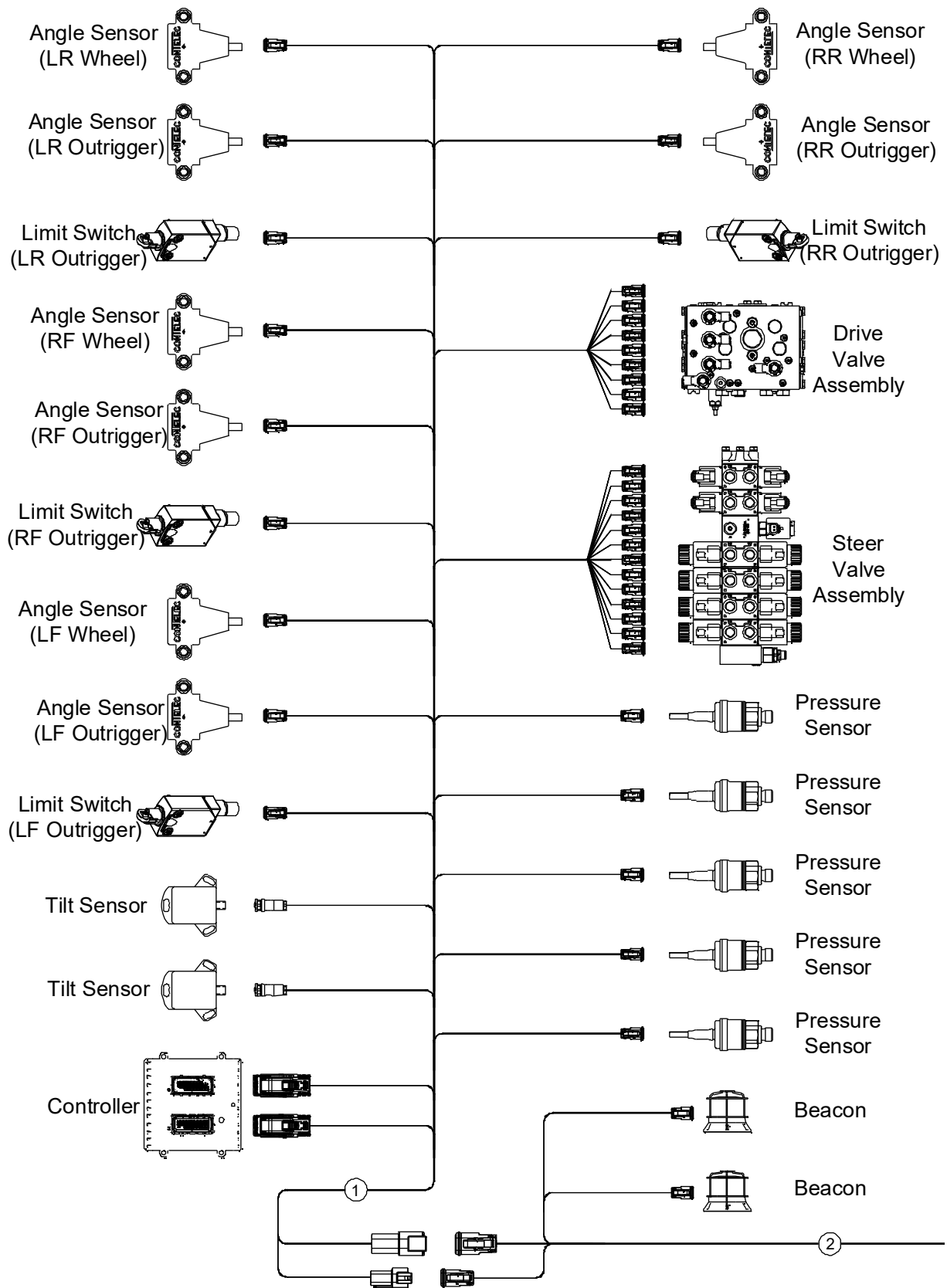


6-6 JIB Circuit

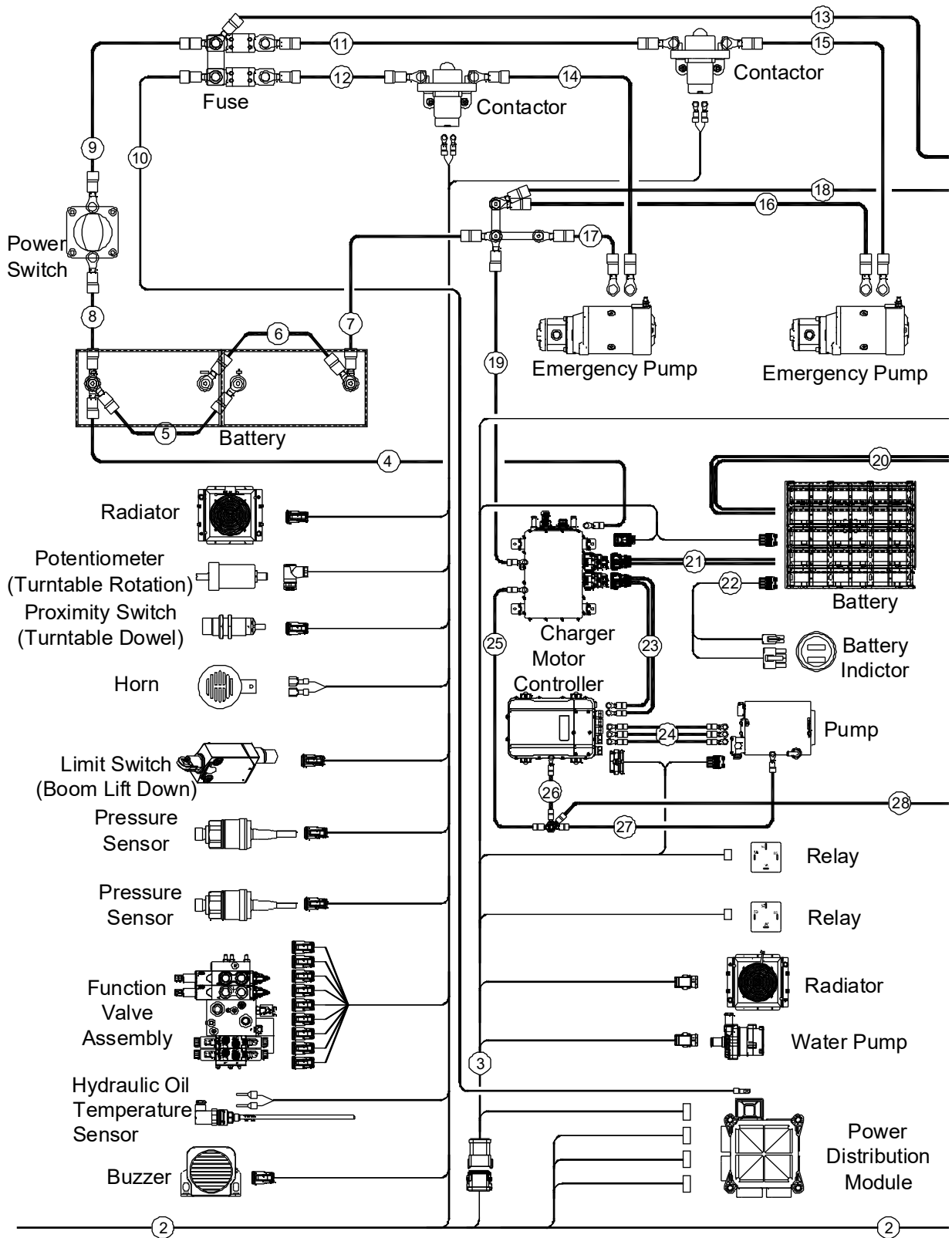
Item	Part Number	Description	Qty.	Remark
1	50008544	Hose Assembly	1	
2	00002137	Fitting, Straight, Bulkhead	2	
3	93200179	Tube, steel	2	
4	00001501	Fitting, Straight	6	
5	00001832	Fitting, 90°	2	
6	00009946	Fitting, Straight, Orifice	2	
7	00001834	Fitting, 90°	1	
8	93000608	Hose Assembly	1	
9	93000624	Hose Assembly	1	

Section 7 Electrical System

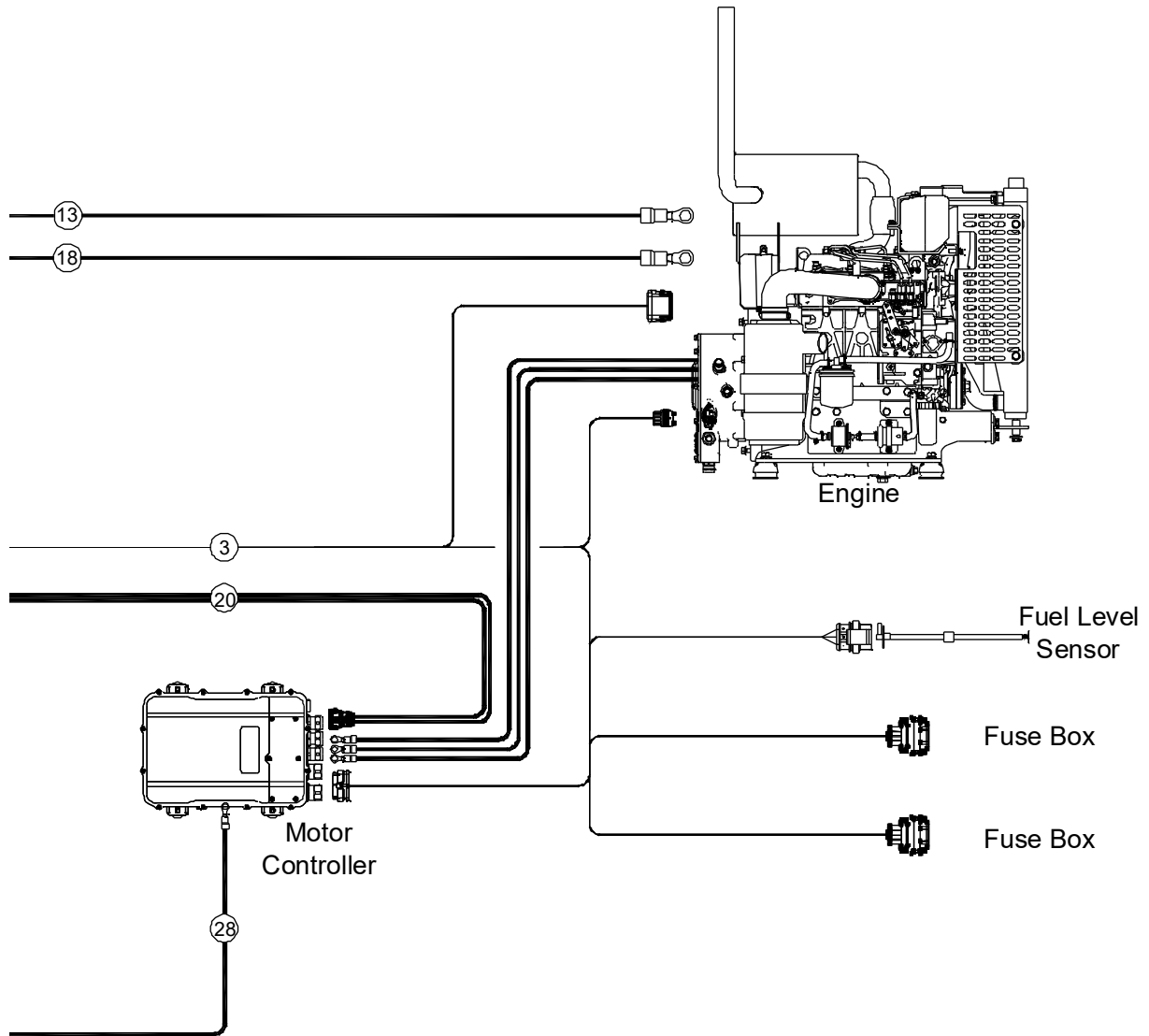
7-1 Electrical Harness



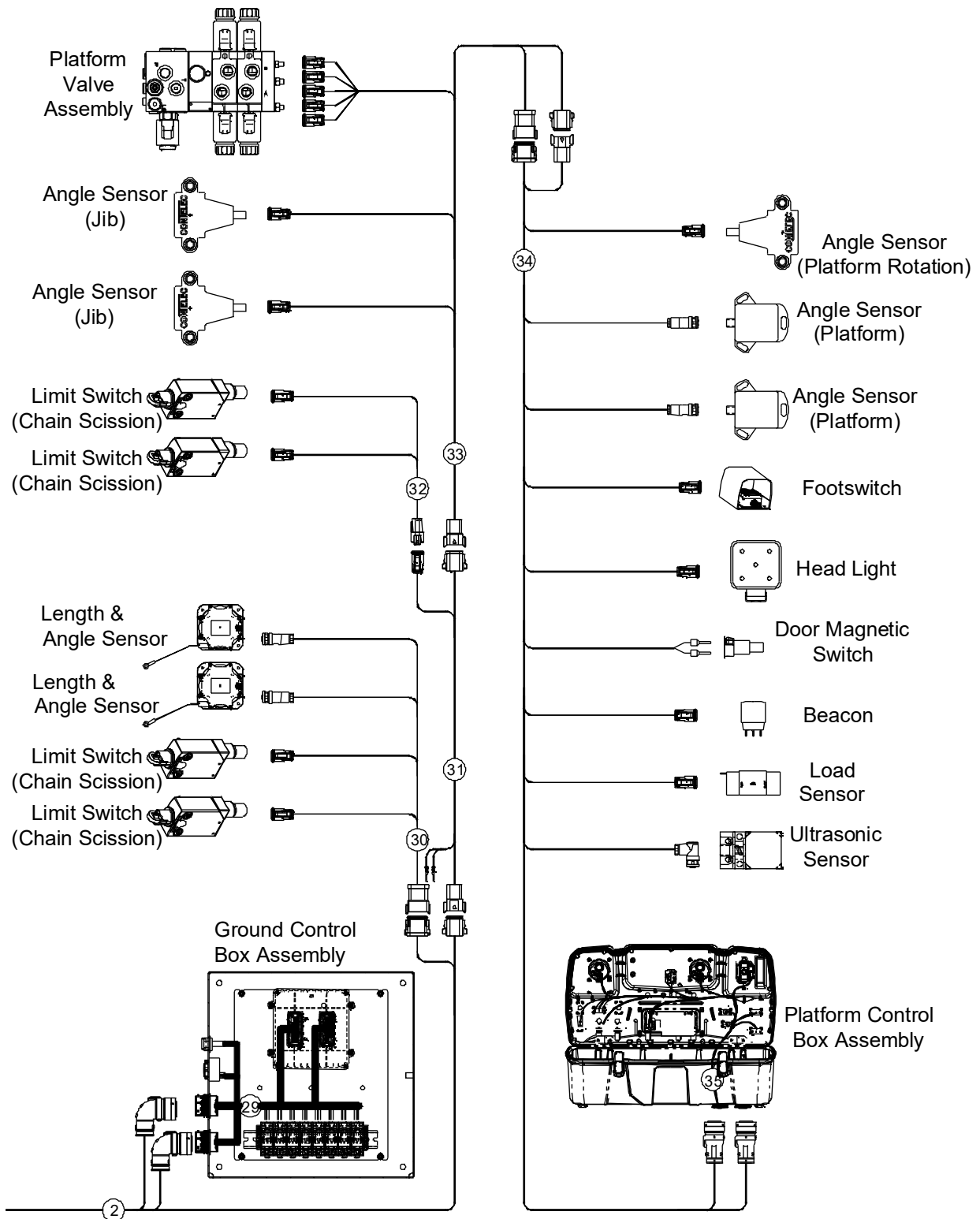
7-1 Electrical Harness (Continued)



7-1 Electrical Harness (Continued)



7-1 Electrical Harness (Continued)



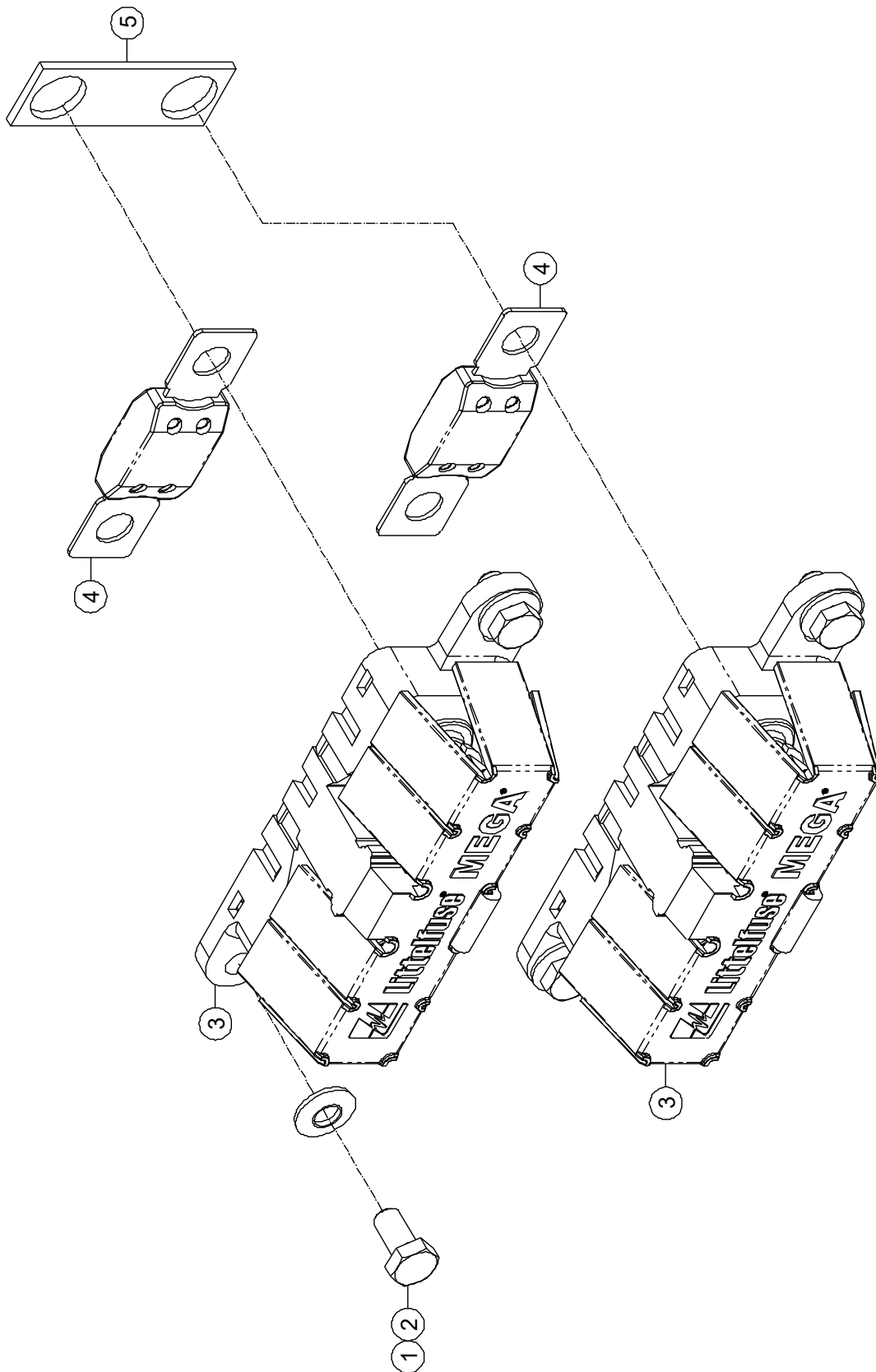
7-1 Electrical Harness

Item	Part Number	Description	Qty.	Remark
1	00009081	Chassis Harness	1	
2	00009082	Turntable Harness	1	
3	00010796	Mixed Side Harness	1	
4	00010547	OBC-12V Positive Harness	1	
5	00010173	12V Battery Positive Shunt Harness	1	
6	00010174	12V Battery Negative Shunt Harness	1	
7	00010185	12V Battery Negative Harness	1	
8	00010175	Power Switch Harness	1	
9	00010176	Fuse Harness	1	
10	00010177	Fuse Box Power Harness	1	
11	00010178	Emergency Pump Contactor Harness 1	1	
12	00010179	Emergency Pump Contactor Harness 2	1	
13	00010911	Range-extender Positive Harness	1	
14	00010911	Emergency Pump Positive Harness 2	1	
15	00010182	Emergency Pump Positive Harness 1	1	
16	00010181	Emergency Pump Negative Harness 1	1	
17	00010183	Emergency Pump Negative Harness 2	1	
18	00010912	Range-extender Negative Harness	1	
19	00010548	OBC-12V Negative Harness	1	
20	00010822	Range-extender Controller Output Harness	1	
21	00010189	Lithium Battery Output Harness	1	
22	00010867	Charger Display Harness	1	
23	00010821	Motor Controller Power Harness	1	
24	00010188	Pump Ground Harness	1	
25	00010906	OBC Ground Harness	1	
26	00010907	MCU Ground Harness	1	
27	00010908	Pump Ground Harness	1	
28	00010909	Range-extender Controller Ground Harness	1	

7-1 Electrical Harness (Continued)

Item	Part Number	Description	Qty.	Remark
29	00009084	Ground Control Plane Harness	1	
30	00009091	Sensor And Chain Scission Limit Switch Harness	1	
31	00010605	Main Boom Harness	1	BT44HRT
	00010604	Main Boom Harness	1	BT41HRT
	00010141	Main Boom Harness	1	BT36HRT
32	00009094	Chain Scission Limit Switch Harness 2	1	BT44HRT
	00009092	Chain Scission Limit Switch Harness 2	1	BT41HRT
33	00009089	Jib Harness	1	
34	00009088	Platform Harness	1	
35	00010193	Platform Control Box Harness	1	

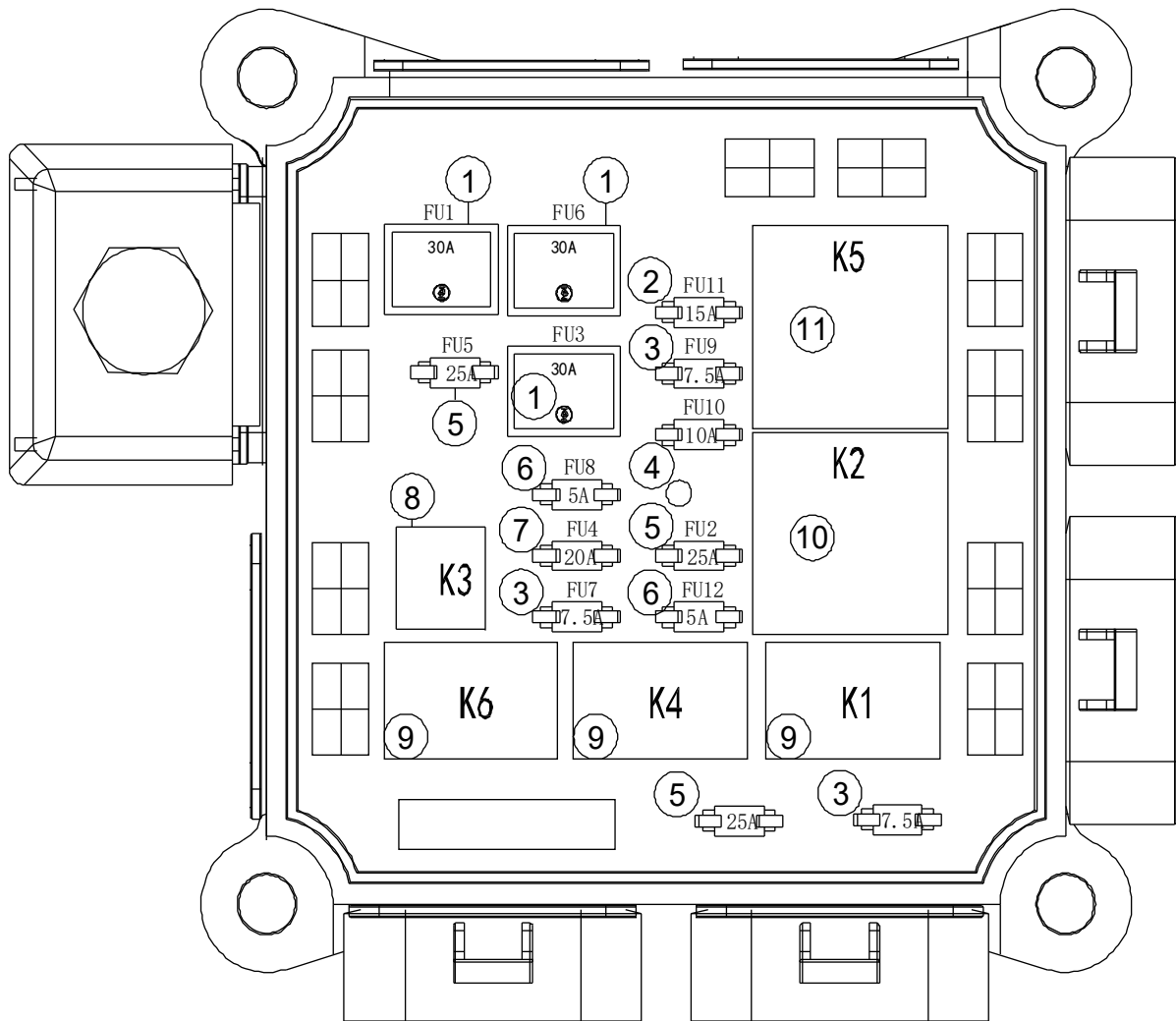
7-2 Fuse Holder Assembly



7-2 Fuse Holder Assembly

Item	Part Number	Description	Qty.	Remark
1	93000014	锁紧盘弹簧垫圈 M 型 $\Phi 6.1$	4	
2	00000745	Bolt GB/T 5783 M6 \times 12	4	
3	93300329	保险丝盒	2	
4	00010510	175A 保险丝	2	
5	93000495	接线排	1	

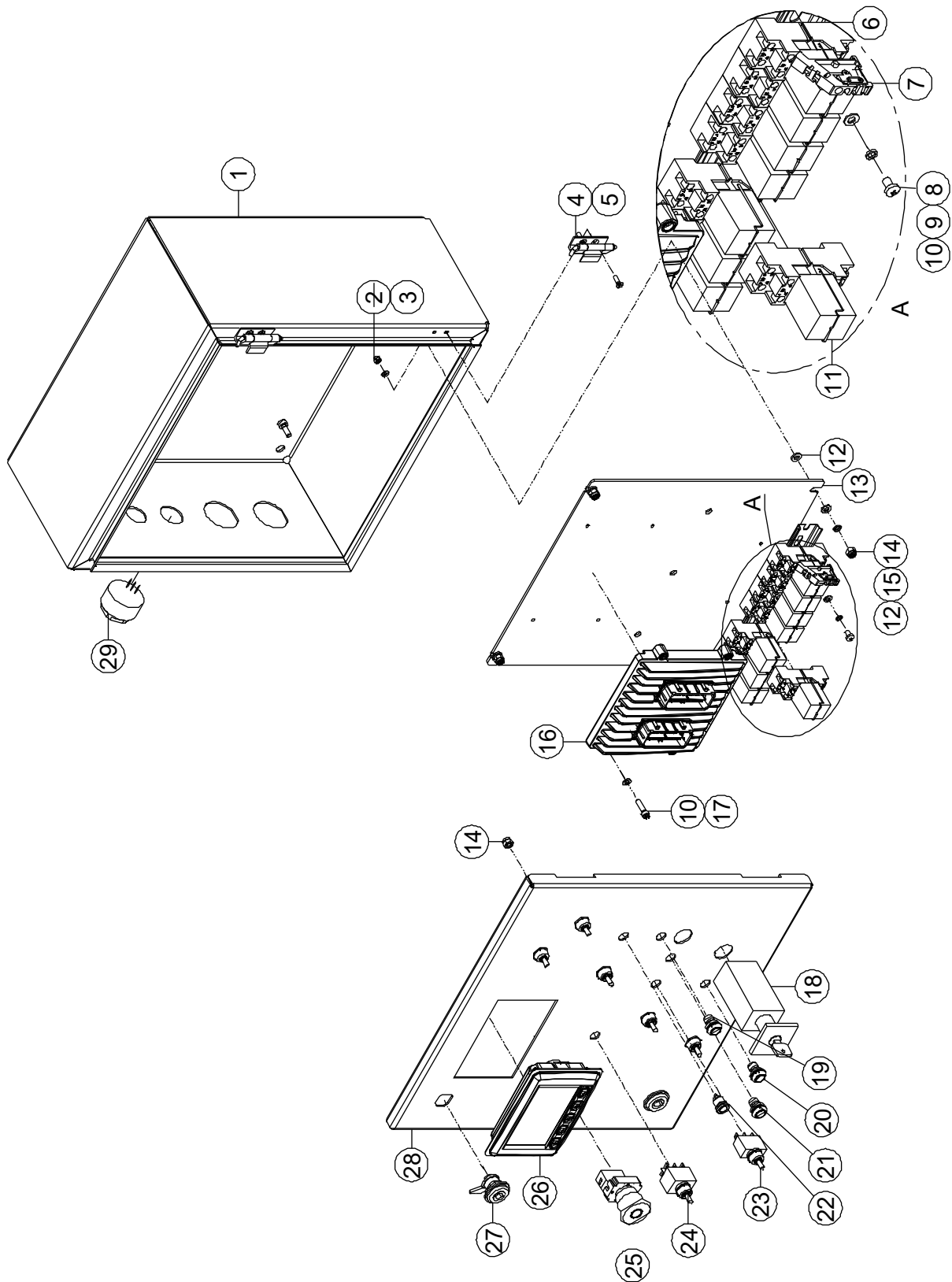
7-3 Power Distribution Module



7-3 Power Distribution Module

Item	Part Number	Description	Qty.	Remark
1	00010918	Fuse 30A	3	
2	00010916	Fuse 15A	1	
3	00010914	Fuse 7.5A	3	
4	00010915	Fuse 10A	1	
5	00010930	Fuse 25A	2	
6	00010913	Fuse 5A	2	
7	00010917	Fuse 20A	1	
8	00010921	Relay	1	
9	00010919	Relay	3	
10	00010920	Relay	1	
11	00010922	Relay	1	

7-4 Ground Control Box Assembly



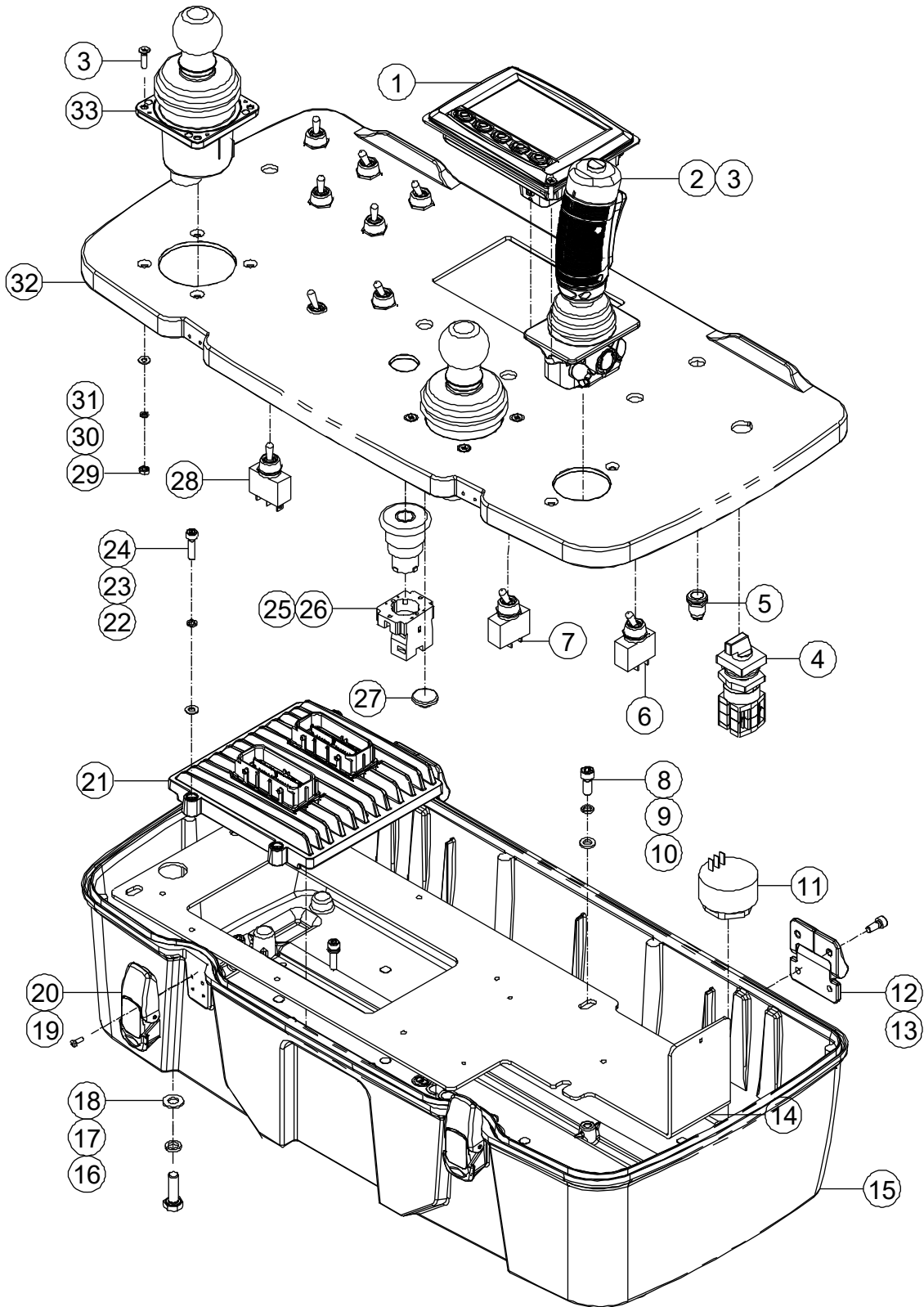
7-4 Ground Control Box Assembly

Item	Part Number	Description	Qty.	Remark
1	93000313	Box	1	
2	00001236	Nut GB/T 889.1 M4	4	
3	00000778	Flat Washer GB/T 97.1 4	4	
4	50000217	Rack, Gemel	2	
5	00005259	Screw GB/T 819 M4 × 14 - H	4	
6	50000215	Bracket	1	
7	00000660	End, Fixation	2	
8	00002391	Screw GB/T 818 M5 × 8 - H	2	
9	00000606	Spring Washer GB/T 93 5	2	
10	00000605	Flat Washer GB/T 97.1 5	3	
11	00000647	Relay	8	
12	00000620	Flat Washer GB/T 97.1 6	8	
13	93000315	Plate, Bracket	1	
14	00000742	Nut GB/T 889.1 M6	6	
15	00000621	Spring Washer GB/T 93 6	4	
16	00008699	Controller	1	
17	00000817	Screw GB/T 70 M5 × 20	1	
18	00006133	Key switch	1	
19	00006137	Pushbutton, red	1	
20	00006138	Pushbutton, green	1	
21	00006154	Pushbutton, red	1	
22	00003162	Indicator	1	
23	00006135	Switch, Toggle	3	
24	00009731	Switch, Toggle	4	
25	00000921	Emergency stop switch	1	
--	00000752	Base With 1 NC Contact	1	
--	00000754	Red Mushroom Head	1	
26	00009732	Display	1	
27	00001296	Lock, Column	2	

7-4 Ground Control Box Assembly (Continued)

Item	Part Number	Description	Qty.	Remark
28	93000316	Electric Control Box Cover	1	
29	00002326	Alarm	1	

7-5 Platform Control Box Assembly



7-5 Platform Control Box Assembly

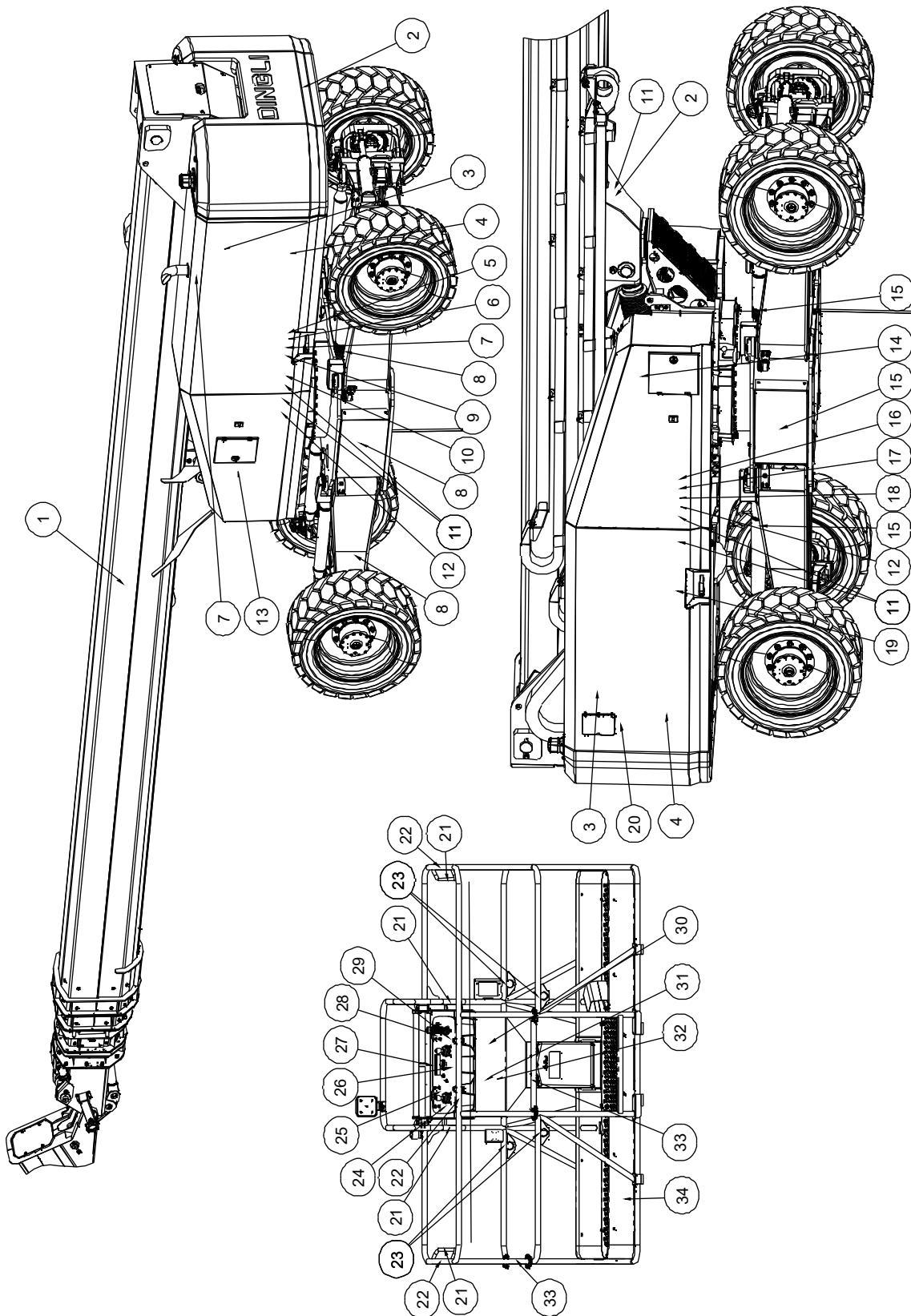
Item	Part Number	Description	Qty.	Remark
1	00009732	Display	1	
2	00005393	Joystick (Steer & Drive)	1	
3	00002940	Screw GB/T 819 M4 × 16 - H	10	
4	00010011	Select switch	1	
5	00003162	Indica	1	
6	00007929	Switch, Toggle	2	
7	00006134	Switch, Toggle	5	
8	00000876	Screw GB/T 70 M6 × 16	5	
9	00000621	Spring Washer GB/T 93 6	5	
10	00000620	Flat Washer GB/T 97.1 6	5	
11	00002326	Alarm	1	
12	00005391	Hinge	2	
13	00001252	Screw GB/T 70 M5 × 12	8	
14	92000094	Bracket	1	
15	93000403	Platform Control Box	1	
16	00000993	Screw GB/T 5783 M8 × 25	4	
17	00000609	Spring Washer GB/T 93 8	4	
18	00000608	Flat Washer GB/T 97.1 8	4	
19	00005126	Screw GB/T 818 M3 × 8 - H	12	
20	00005392	Latch	2	
21	00008699	Controller	1	
22	00000605	Flat Washer GB/T 97.1 5	4	
23	00000606	Spring Washer GB/T 93 5	4	
24	00000817	Screw GB/T 70 M5 × 20	4	
25	00000754	Red Mushroom Head	1	
26	00000752	Base With 1 NC Contact	1	
27	00000667	Plug, Toggle Switch	1	
28	00006135	Switch, Toggle	4	
29	00002712	Nut GB/T 6170 M4	10	

7-5 Platform Control Box Assembly (Continued)

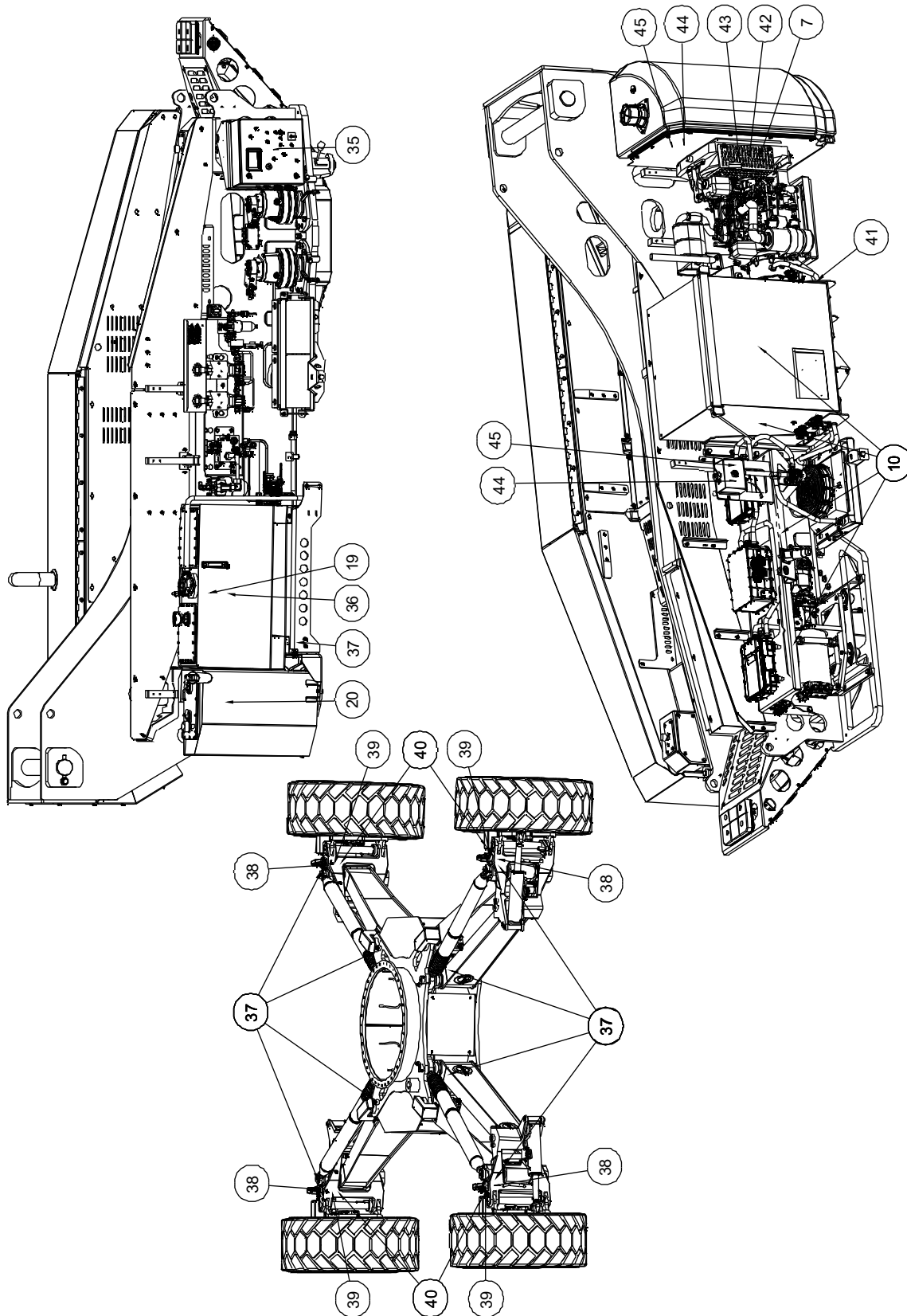
Item	Part Number	Description	Qty.	Remark
30	00000779	Spring Washer GB/T 93 4	10	
31	00000778	Flat Washer GB/T 97.1 4	10	
32	93000402	Cover, Platform Control Box	1	
33	00005394	Joystick	2	

Section 8 Decals

8-1 Decals Installations



8-1 Decals Installations (Continued)



8-1 Decals Installations

Item	Part Number	Description	Qty.	Remark
1	09630166	Decal, Label-BT44HRT	1	BT44HRT
	09630167	Decal, Label-BT41HRT	1	BT41HRT
	09630168	Decal, Label-BT36HRT	1	BT36HRT
2	09410117	Decal, Symbols-Crushing hazard	2	
3	09920017	Decal, Label-44m	2	BT44HRT
	09920018	Decal, Label-41m	2	BT41HRT
	09920023	Decal, Label-36m	2	BT36HRT
4	09620014	Decal, Label-BT44HRT	2	BT44HRT
	09620015	Decal, Label-BT41HRT	2	BT41HRT
	09620016	Decal, Label-BT36HRT	2	BT36HRT
5	09310546	Decal, Instructions-Noise 107dB	1	
6	09310370	Decal, Instructions-Engine	1	
7	09410186	Decal, Symbols-High temperature	3	
8	09310251	Decal, Instructions-Black arrow forward	3	
9	09410048	Decal, Symbols-Explosion/burn hazard	1	
10	09420041	Decal, Warning-High Voltage Danger	5	
11	09410118	Decal, Symbols-Hand crushing hazard	5	
12	09410228	Decal, Symbols-Electrocution hazard	2	
13	09410147	Decal, Symbols-Charge warning	1	
14	09340026	Decal, Symbols-Refer the operator to the instructions for use	2	
15	09310250	Decal, Instructions-White arrow reverse	3	
16	09410241	Decal, Symbols-Slope rating	1	
17	09410138	Decal, Symbols-Explosion/burn hazard	1	
18	09410139	Decal, Symbols-Injection hazard	1	
19	09310252	Decal, Instructions-Hydraulic	2	
20	09310253	Decal, Instructions-Diesel	1	
21	09340070	Decal, Symbols-Non operating hand position	4	
22	09440212	Decal, Warning-Crushing hazard	3	

8-1 Decals Installations (Continued)

Item	Part Number	Description	Qty.	Remark
23	09340041	Decal, Label-Lanyard anchorage point	4	
24	09140040	Decal, Platform control panel	1	
25	09140060	Decal, Platform control panel	1	
26	09140041	Decal, Platform control panel	1	
27	09140057	Decal, Platform control panel	1	
28	09140056	Decal, Platform control panel	1	
29	09140042	Decal, Platform control panel	1	
30	09440499	Decal, Symbols-General safety rules	1	
31	09440497	Decal, Label-Capacity 300kg/454kg	1	
32	09440498	Decal, Symbols-Tip-over hazard, tilt-alarm	1	
33	09340029	Decal, Instructions-Open/close	2	
34	09440186	Decal, Label-Capacity 300kg/454kg	1	
35	09120016	Decal, Ground control panel	1	
36	09310527	Decal, Notice-Check the hydraulic oil level	1	
37	09310364	Decal, Instructions-Grease filling port	9	
38	09320014	Decal, Instructions-Lift point	4	
39	09310366	Decal, Instructions-Tie down point	4	
40	09310569	Decal, Instructions-Maximum wheel load 10800kg	4	BT44HRT
	09310568	Decal, Instructions-Maximum wheel load 10500kg	4	BT41HRT
	09310325	Decal, Instructions-Maximum wheel load 9700kg	4	BT36HRT
41	09310254	Decal, Instructions-Air filter	1	
42	09410120	Decal, Symbols-Cutting hazard	1	
43	09410122	Decal, Symbols-Entangled hazard	1	
44	09310369	Decal, Notice-Filling antifreeze coolant notice	2	
45	09410123	Decal, Symbols-Pressurized liquids	2	

8-1 Decals Installations (Continued)

<p>① 09630166</p> <p>BT44HRT</p>	<p>② 09410117</p> 	<p>④ 09620014</p> <p>BT44HRT</p>
<p>① 09630167</p> <p>BT41HRT</p>	<p>⑤ 09310546</p> 	<p>④ 09620015</p> <p>BT41HRT</p>
<p>① 09630168</p> <p>BT36HRT</p>	<p>⑦ 09410186</p> 	<p>④ 09620016</p> <p>BT36HRT</p>
<p>③ 09920017</p> 	<p>③ 09920018</p> 	<p>⑥ 09310370</p> 
<p>③ 09920023</p> 	<p>⑦ 09410186</p> 	<p>⑧ 09310251</p> 
<p>⑨ 09410048</p> 	<p>⑪ 09410118</p> 	<p>⑫ 09410228</p> 
<p>⑩ 09420041</p> 	<p>⑬ 09410147</p> 	<p>⑭ 09340026</p> 
<p>⑮ 09310250</p> 	<p>⑯ 09410241</p> 	<p>⑰ 09410138</p> 
<p>⑰ 09410138</p> 	<p>⑱ 09410139</p> 	<p>⑲ 09310252</p> 
<p>⑲ 09310252</p> 	<p>⑳ 09310253</p> 	<p>⑳ 09340070</p> 
<p>⑳ 09310253</p> 	<p>㉑ 09140040</p> 	<p>㉒ 09440212</p> 
<p>㉑ 09140040</p> 	<p>㉓ 09340041</p> 	<p>㉓ 09340041</p> 
<p>㉓ 09140060</p> 	<p>㉔ 09140060</p> 	<p>㉔ 09140060</p> 

8-1 Decals Installations (Continued)

②6 09140041

②7 09140057

②8 09140056

②9 09140042

③1 09440497

③0 09440499

③2 09440498

③6 09310527

③7 09310364

③8 09320014

③4 09440186

CAPACITY 300kg/454kg

③9 09310366

③5 09120016

④0 09310569

④0 09310568

④0 09310325

④1 09310254

④2 09410120

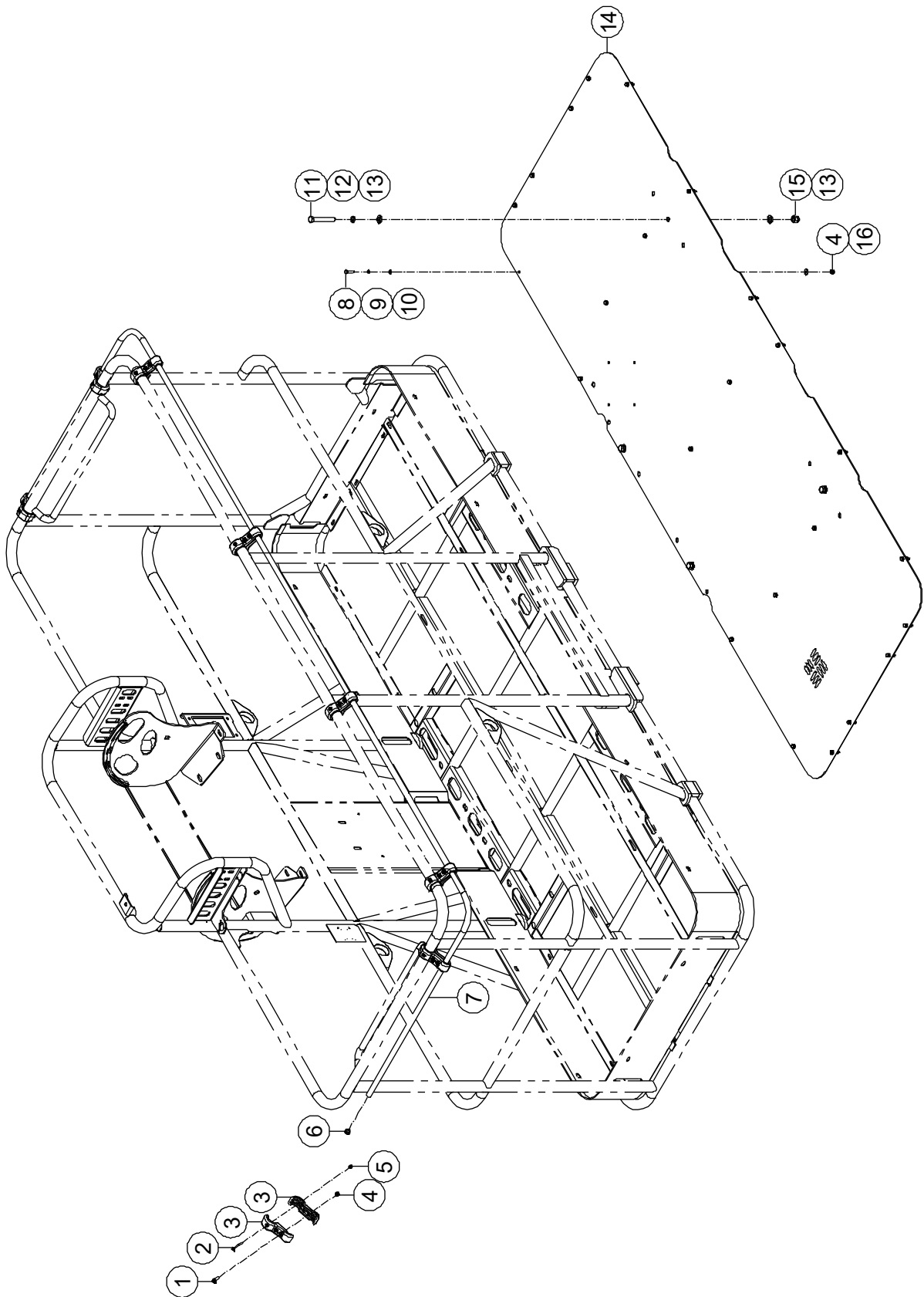
④3 09410122

④4 09310369

④5 09410123

Section 9 Special Options

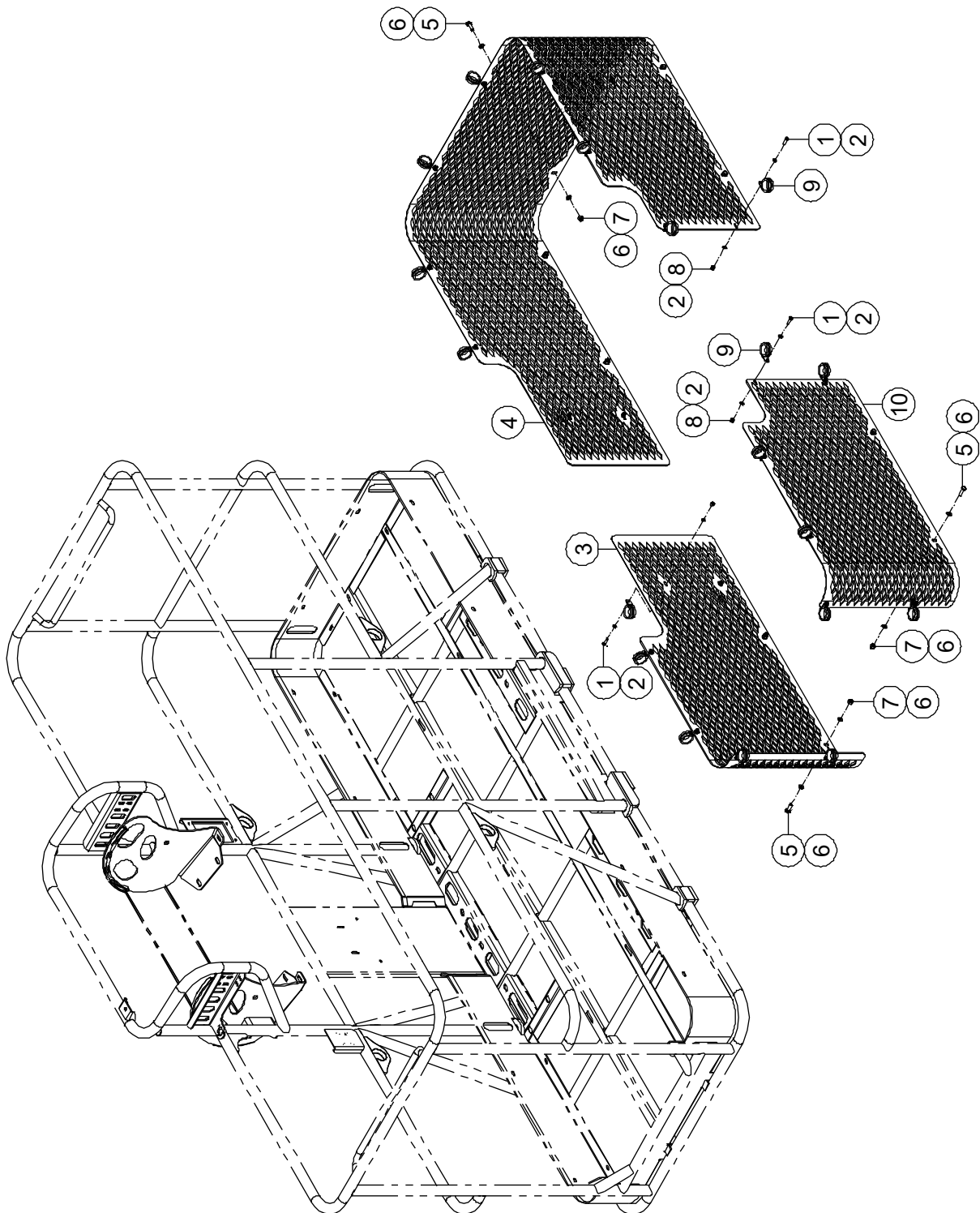
9-1 Platform Accessories 1



9-1 Platform Accessories 1

Item	Part Number	Description	Qty.	Remark
1	00001034	Screw GB/T 70 M6 × 25	16	
2	00002505	Screw GB/T 70 M5 × 50	8	
3	10007023	Pinch Guard Support	16	
4	00001033	Nut GB/T 6182 M6	40	
5	00000613	Nut GB/T 6182 M5	8	
6	92100821	Plug	2	
7	92100767	Pinch Guard	1	
8	00000619	Bolt GB/T 5783 M6 × 25	24	
9	00000621	Spring Washer GB/T 93 6	24	
10	00000620	Flat Washer GB/T 97.1 6	24	
11	00002527	Bolt GB/T 5782 M12 × 80	4	
12	00000815	Spring Washer GB/T 93 12	4	
13	00000814	Flat Washer GB/T 97.1 12	8	
14	92100777	Deck Plate	1	
15	00001249	Nut GB/T 6182 M12	4	
16	00002583	Flat Washer GB/T 96.1 6	24	

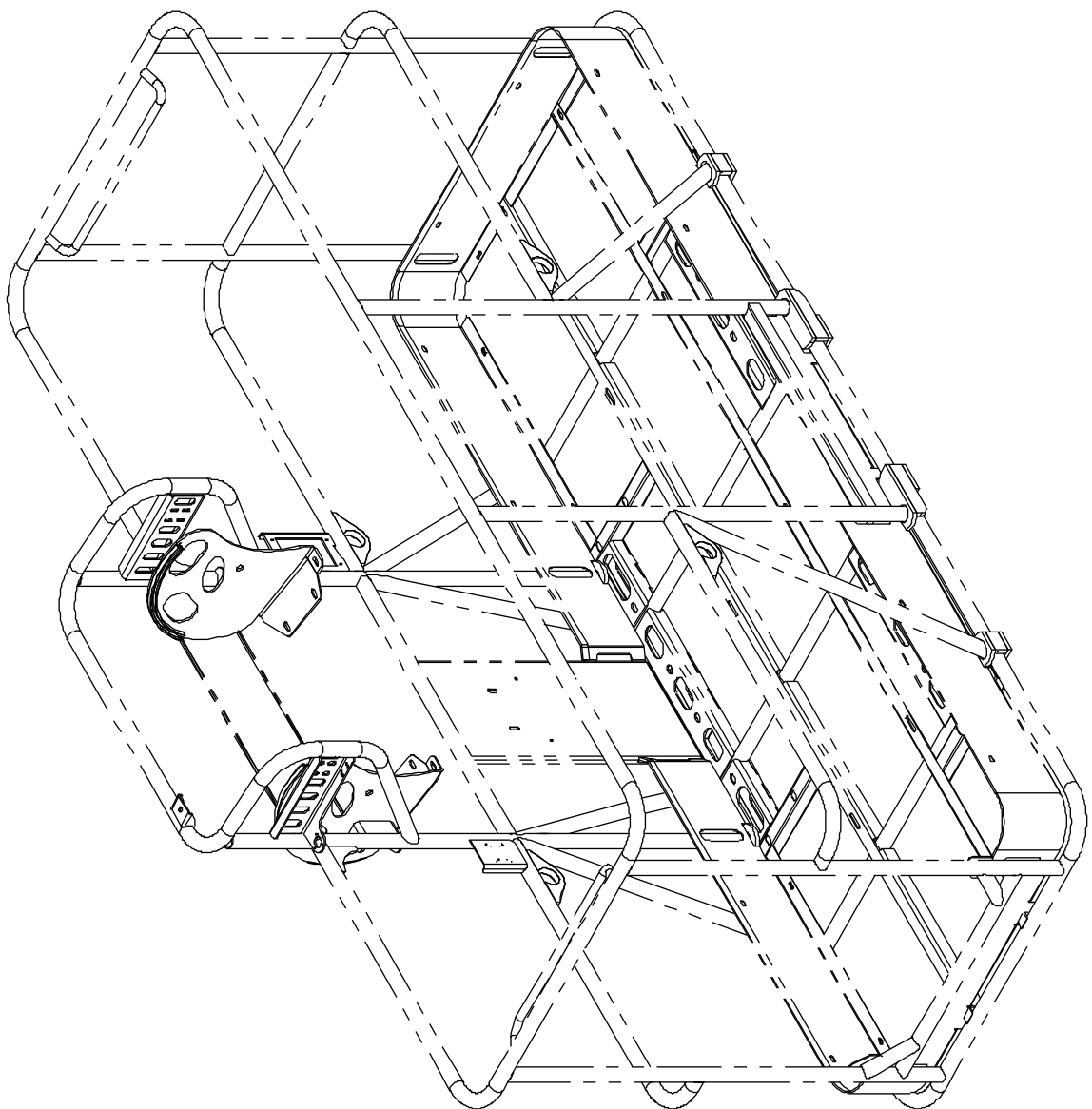
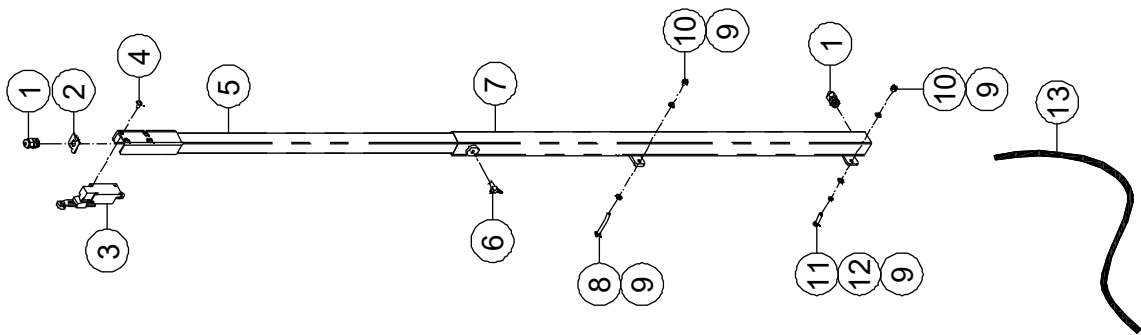
9-2 Platform Accessories 2



9-2 Platform Accessories 2

Item	Part Number	Description	Qty.	Remark
1	00000743	Bolt GB/T 5783 M6 × 20	22	
2	00000620	Flat Washer GB/T 97.1 6	44	
3	93000638	Panel, Half Mesh	1	
4	93000636	Panel, Half Mesh	1	
5	00000993	Bolt GB/T 5783 M8 × 25	10	
6	00000608	Flat Washer GB/T 97.1 8	20	
7	00001163	Nut GB/T 6182 M8	10	
8	00001033	Nut GB/T 6182 M6	22	
9	92100782	Clamp	22	
10	93000637	Panel, Half Mesh	1	

9-3 Anti-collision Device Installations



9-3 Anti-collision Device Installations

Item	Part Number	Description	Qty.	Remark
1	00001825	M12 Clamp	4	
2	10001599	Bracket, Limit Switch	2	
3	00002354	Limit Switch	2	
4	00000999	Screw GB/T 973 M5×10	8	
5	10001645	Pole	2	
6	00002586	Screw M8×16	2	
7	10001644	Pole	2	
8	00001066	Bolt GB/T 5782 M6 × 55	4	
9	00000620	Flat Washer GB/T 97.1 6	16	
10	00001033	Nut GB/T 6182 M6	8	
11	00000619	Bolt GB/T 5783 M6 × 25	4	
12	00000621	Spring Washer GB/T 93 6	8	
13	00006839	3.4m Harness	2	

DINGLI AWP INDIA PRIVATE LIMITED

Address: Sahney Towers, 81, First Floor, Poonamallee High Road, Nerkundram,
Chennai, Tamil Nadu - 600 107

Telephone: +91-98846 48464

E-mail: support@dinglisaarc.com

Website: www.dinglisaarc.com

DINGLI