

# DINGLI

*Exceed · New Height*

## Parts Manual

**BT30HRT**

**BT28HRT**

**BT26HRT**

**BT24HRT**

**BT30SHRT**

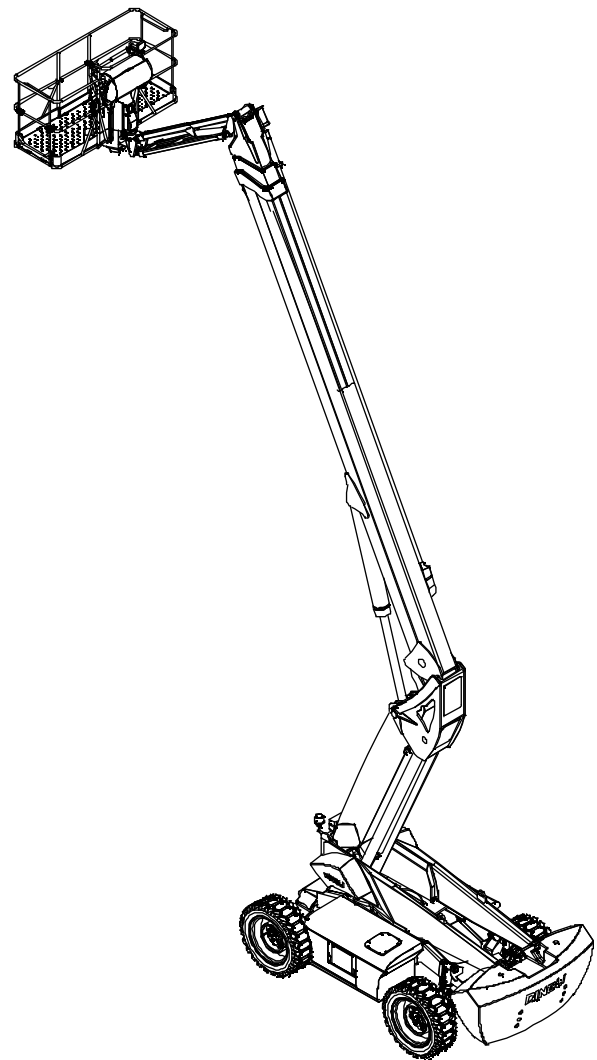
**BT28SHRT**

**BT26SHRT**

**BT28BHRT**

**BT26BHRT**

**BT24BHRT**



From SN

BTH3000122H0431-BTH3000123C0581

BTH2800023A0364-BTH2800023C0582

BTH2800122H0428-BTH2800123F0099

BTH2600122K0001-BTH2600123A0368

BTH2400122J0513-BTH2400123A0365

BTH2400122H0426-BTH2400123F0098

Part Number: SM032220115

Version Number: Rev1.2

August 2023 Printing

# DINGLI



## Foreword

We are very appreciated for your interesting with Dingli machine and choosing it for your application. Our priority above all is you can use the machine safely for your application and you can benefit from the Dingli machine mostly. For these reason we hope you can:

1. Comply with employer, job site and local governmental rules.
2. Safeguard your commitment to quality by always using genuine Dingli spare parts. Remember, Dingli cannot accept responsibility for the failure of a separator equipped with non-original spare parts. We guarantee the quality and reliability of our products.
3. All sketch maps of parts shown in this manual are for reference only, it is the practical that counts. This manual includes all the latest information up to the date when it was printed. All responsibilities for the revision and explanation of the manual rest with the Dingli. We also preserve the right to edit the technology characteristic and content of the manual.
4. Anyone who read the manual or used the machine, is encouraged to notify Dingli Machinery Co, Ltd of any errors or send in suggestions for improvement. All communications will be carefully considered for future printings of this and other manuals, certainly if you have any question about the machine, please contact with our team by dialing technical support phone, sending email, or any methods you want, etc. Our contact information as bellow:

Please contact with:

**DINGLI AWP INDIA PRIVATE LIMITED**

**Phone:** +91-98846 48464

**Email:** support@dinglisaarc.com





## Table of Contents

### Section 1 Chassis

1-1	Axle Installations (Standard).....	2
1-2	Axle Installations (Optional).....	4
1-3	Axle Lockout Cylinder Installations .....	7
1-4	Tire and Wheel Installations .....	9
1-5	Slewing Ring Installations.....	11
1-6	Rotary Coupling Installations .....	13
1-7	Chassis Components .....	15
1-8	Front Axle Accessory.....	17
1-9	Module Installations .....	20
1-10	Battery Module Assembly 1 .....	22
1-11	Battery Module Assembly 2 .....	24
1-12	Charger Assembly with Bracket.....	27
1-13	Hydraulic Module Assembly 1.....	29
1-14	Hydraulic Module Assembly 2.....	32
1-15	Hydraulic Module Assembly 3.....	35
1-16	Fuse Assembly.....	37
1-17	Power Distribution Module.....	39
1-18	Ground Control Box Assembly.....	41
1-19	Chassis Manifold.....	43
1-20	Chassis Clamp Installations 1.....	45
1-21	Chassis Clamp Installations 2.....	47
1-22	Chassis Clamp Installations 3.....	49
1-23	Grease System Installations .....	51

### Section 2 Turntable

2-1	Turntable Accessories Installations 1.....	54
2-2	Turntable Accessories Installations 2.....	57
2-3	PVG Valve Block (Standard).....	60
2-4	PVG Valve Block (Optional).....	63
2-5	Counterweight Installations .....	66

### Section 3 Boom

3-1	Linkage Installations 1.....	69
3-2	Linkage Installations 2.....	71
3-3	Linkage and Boom Installations.....	73

3-4	Lifting Cylinder Assembly and Boom Installations .....	75
3-5	Telescopic Boom.....	77
3-6	Base Boom Sliding Block Installations .....	79
3-7	Second Boom Sliding Block Installations 1 .....	81
3-8	Second Boom Sliding Block Installations 2 .....	83
3-9	Third Boom Sliding Block Installations .....	85
3-10	Boom Shield Installations .....	87
3-11	Telescopic System Installations .....	89
3-12	Carrier System Installations 1.....	92
3-13	Carrier System Installations 2.....	95
3-14	JIB Leveling Cylinder Assembly Installations (BT30HRT, BT28HRT, BT26HRT, BT24HRT, BT30SHRT, BT28SHRT, BT26SHRT).....	97
3-15	JIB Leveling Cylinder Assembly Installations (BT28BHRT, BT26BHRT, BT24BHRT) ..	99
3-16	Telescopic Boom and Telescopic JIB Installations (BT30SHRT, BT28SHRT, BT26SHRT) .....	101
3-17	Telescopic JIB Lifting Cylinder Assembly Installations (BT30SHRT, BT28SHRT, BT26SHRT) .....	104
3-18	Telescopic JIB Telescopic Cylinder Assembly Installations (BT30SHRT, BT28SHRT, BT26SHRT) .....	106
3-19	Telescopic JIB Base Boom Sliding Block Installations (BT30SHRT, BT28SHRT, BT26SHRT) .....	108
3-20	Telescopic JIB Second Boom Sliding Block Installations (BT30SHRT, BT28SHRT, BT26SHRT) .....	110
3-21	Telescopic JIB Carrier System Installations 1 (BT30SHRT, BT28SHRT, BT26SHRT).....	112
3-22	Telescopic JIB Carrier System Installations 2 (BT30SHRT, BT28SHRT, BT26SHRT).....	114
3-23	Slave Cylinder Assembly Installations (BT30SHRT, BT28SHRT, BT26SHRT).....	116
3-24	Telescopic Boom and Articulating JIB Installations (BT30HRT, BT28HRT, BT26HRT, BT24HRT).....	118
3-25	Telescopic Boom and Linkage Installations (BT28BHRT, BT26BHRT, BT24BHRT).....	120
3-26	Telescopic Boom and Articulating JIB Installations (BT28BHRT, BT26BHRT, BT24BHRT) .....	122
3-27	Articulating JIB Installations (BT30HRT, BT28HRT, BT26HRT, BT24HRT, BT28BHRT, BT26BHRT, BT24BHRT) .....	124
3-28	Rotate Cylinder Assembly Installations .....	126
3-29	Telescopic JIB Valve Block Installations (BT30SHRT, BT28SHRT, BT26SHRT).....	129
3-30	Articulating JIB Valve Block Installations (BT30HRT, BT28HRT, BT26HRT, BT24HRT, BT28BHRT, BT26BHRT, BT24BHRT).....	131

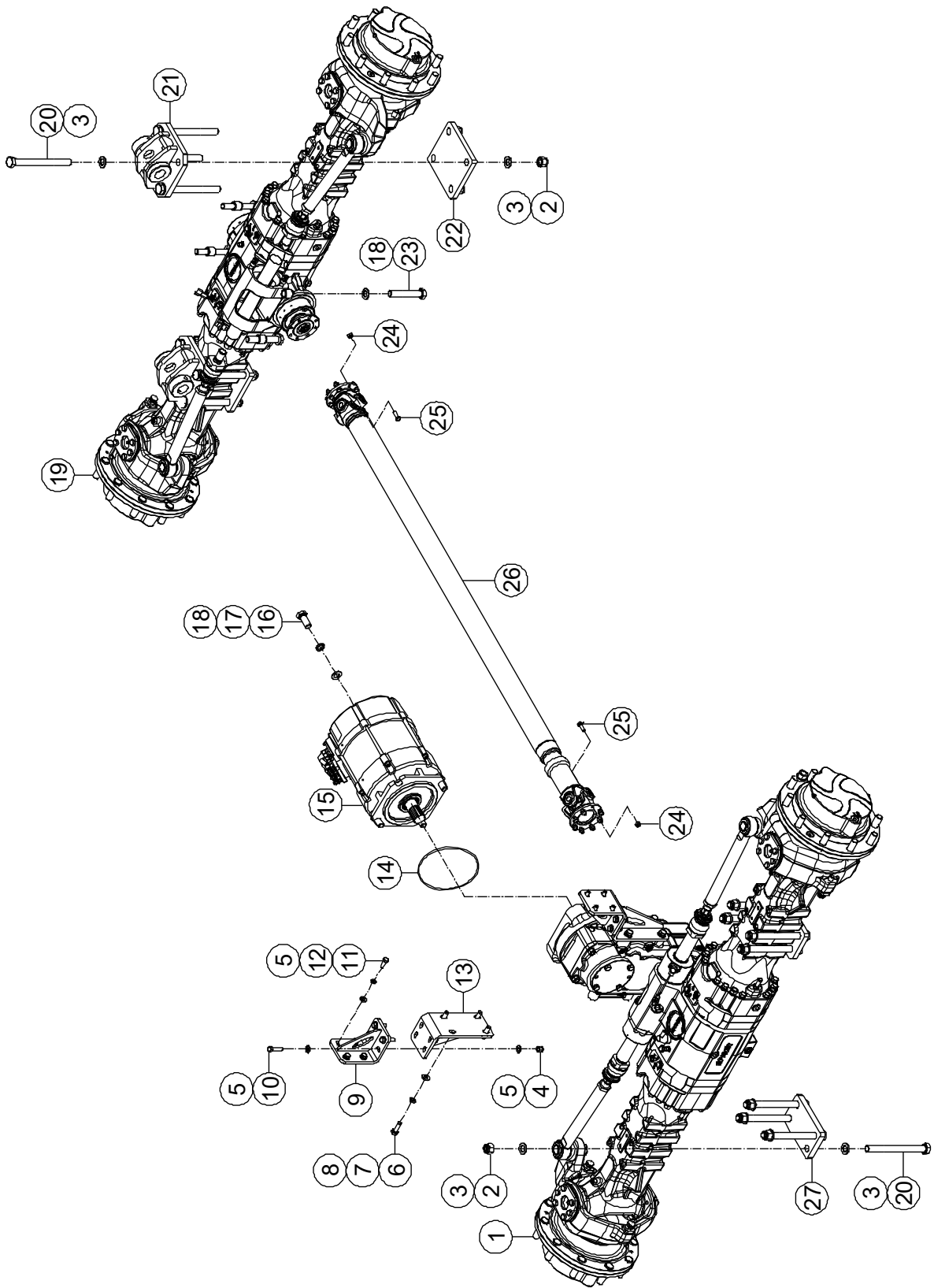
3-31	Valve Block (BT30SHRT, BT28SHRT, BT26SHRT) .....	133
3-32	Valve Block (BT30HRT, BT28HRT, BT26HRT, BT24HRT, BT28BHRT, BT26BHRT, BT24BHRT) .....	135
<b>Section 4 Platform</b>		
4-1	Platform Installations .....	138
4-2	Platform Assembly .....	140
4-3	Gate Assembly .....	143
4-4	Lift Guard Contact Alarm .....	145
<b>Section 5 Cylinder</b>		
5-1	Left Axle Lockout Cylinder Assembly .....	148
5-2	Right Axle Lockout Cylinder Assembly .....	150
5-3	Lifting Cylinder Assembly .....	152
5-4	Telescopic Cylinder Assembly .....	154
5-5	JIB Leveling Cylinder Assembly (BT30HRT, BT28HRT, BT26HRT, BT24HRT, BT30SHRT, BT28SHRT, BT26SHRT).....	156
5-6	JIB Leveling Cylinder Assembly (BT28BHRT, BT26BHRT, BT24BHRT).....	158
5-7	JIB Lifting Cylinder Assembly (BT30SHRT, BT28SHRT, BT26SHRT) .....	160
5-8	JIB Telescopic Cylinder Assembly (BT30SHRT, BT28SHRT, BT26SHRT) .....	162
5-9	Master Cylinder Assembly (BT30SHRT, BT28SHRT, BT26SHRT) .....	164
5-10	Slave Cylinder Assembly (BT30SHRT, BT28SHRT, BT26SHRT) .....	166
5-11	JIB Lifting Cylinder Assembly (BT30HRT, BT28HRT, BT26HRT, BT24HRT, BT28BHRT, BT26BHRT, BT24BHRT) .....	168
<b>Section 6 Hydraulic System</b>		
6-1	Chassis Circuit 1 .....	171
6-2	Chassis Circuit 2 .....	175
6-3	Turntable Circuit.....	177
6-4	JIB Circuit (BT30SHRT, BT28SHRT, BT26SHRT).....	182
6-5	JIB Circuit (BT30HRT, BT28HRT, BT26HRT, BT24HRT, BT28BHRT, BT26BHRT, BT24BHRT) .....	184
<b>Section 7 Electrical System</b>		
7-1	Electrical Harness- Parker Controller.....	187
7-2	Ground Control Panel Assembly - Parker Controller (BT30SHRT, BT28SHRT, BT26SHRT) .....	192
7-3	Ground Control Panel Assembly - Parker Controller (BT30HRT, BT28HRT, BT26HRT, BT24HRT, BT28BHRT, BT26BHRT, BT24BHRT).....	194
7-4	Platform Control Box Assembly - Parker Controller (BT30SHRT, BT28SHRT,	

---

BT26SHRT) .....	196
7-5 Platform Control Box Assembly - Parker Controller (BT30HRT, BT28HRT, BT26HRT, BT24HRT, BT28BHRT, BT26BHRT, BT24BHRT).....	199
<b>Section 8 Decals</b>	
8-1 Decals Installations .....	203
<b>Section 9 Special Options</b>	
9-1 Ground Control Box Housing Installations .....	213
9-2 Alarm Installations.....	215
9-3 GPS Module Installations .....	217
9-4 AC Plug Assembly.....	219
9-5 Tube Housing Installations .....	221
9-6 Boom Shield Installations .....	223
9-7 JIB Shield Installations (BT30SHRT, BT28SHRT, BT26SHRT) .....	225
9-8 Platform Accessories 1.....	227
9-9 Platform Accessories 2.....	229
9-10 Platform Accessories 3.....	231
9-11 Platform Accessories 4 .....	233
9-12 Lift Guard Contact Alarm .....	235
9-13 Anti-collision Device Installations.....	237

# Section 1 Chassis

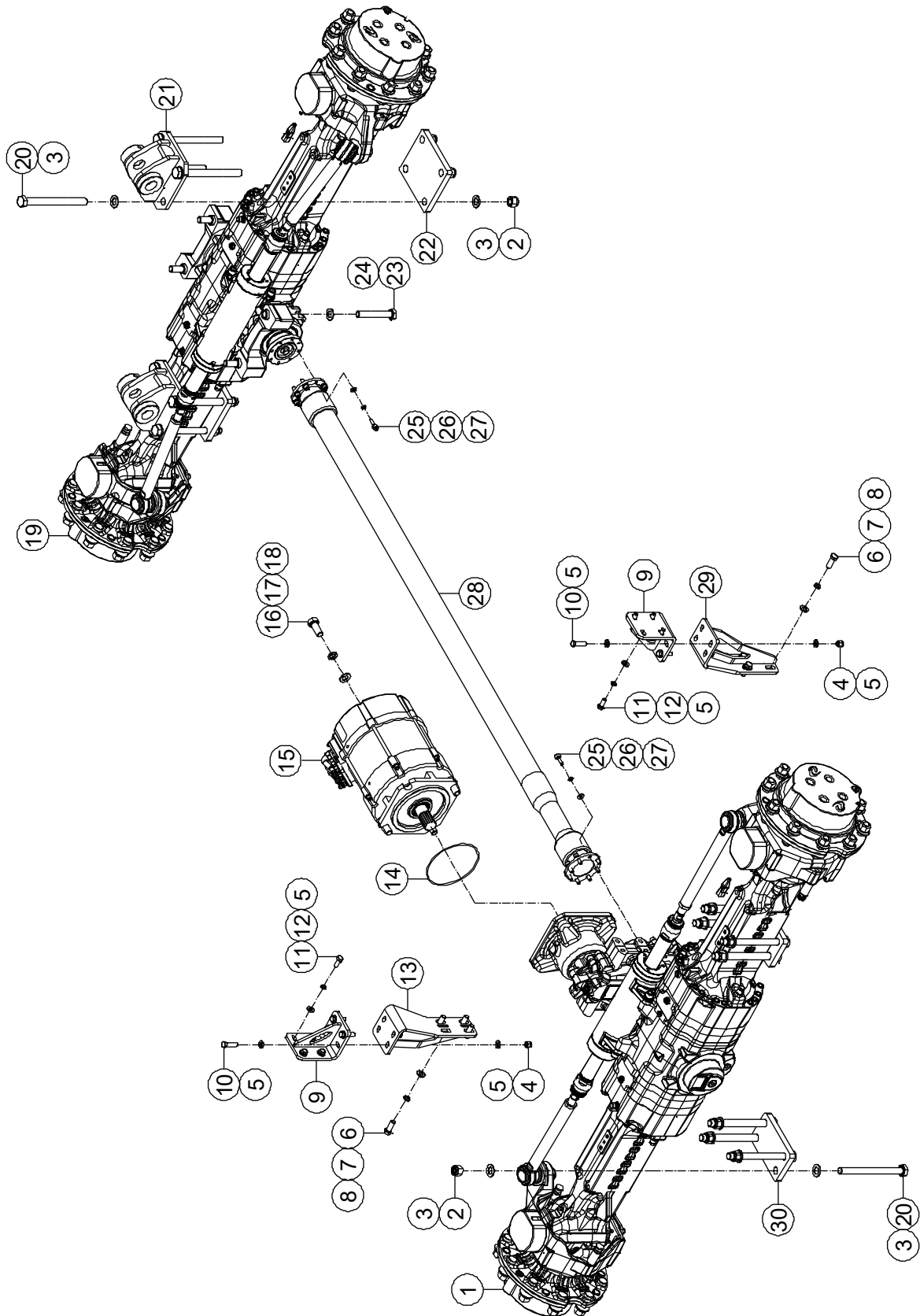
### 1-1 Axle Installations (Standard)



**1-1 Axle Installations (Standard)**

Item	Part Number	Description	Qty.	Remark
1	92100488	Rear Axle Assembly	1	
2	00004487	Nut GB/T 6182 M22	16	
3	00002550	Flat Washer GB/T 97.1 22	32	
4	00001249	Nut GB/T 6182 M12	8	
5	00000814	Flat Washer GB/T 97.1 12	24	
6	00002904	Bolt GB/T 5783 M14 × 40	8	
7	00001258	Spring Washer GB/T 93 14	8	
8	00001043	Flat Washer GB/T 97.1 14	8	
9	50005351	Bracket	2	
10	00002452	Bolt GB/T 5783 M12 × 45	8	
11	00002059	Bolt GB/T 5783 M12 × 30	8	
12	00000815	Spring Washer GB/T 93 12	8	
13	50005348	Bracket	2	
14	00001554	O-Ring As568A 196.52 × 2.62	1	
15	92100570	Drive Motor Assembly	1	
16	00002224	Bolt GB/T 5783 M20 × 50	4	
17	00002219	Spring Washer GB/T 93 20	4	
18	00001050	Flat Washer GB/T 97.1 20	8	
19	92100195	Front Axle Assembly	1	
20	00002551	Bolt GB/T 5782 M22 × 240	16	
21	92029121	Seat, Axle Lockout Cylinder Assembly	2	
22	92029119	Bracket, Link	2	
23	00002552	Bolt GB/T 5782 M20 × 130	4	
24	00006402	Nut GB/T 6184 M10	16	
25	00001059	Screw GB/T 70 M10 × 30	16	
26	92100489	Propeller Shaft	1	
27	92003368	Bracket, Link	2	

### 1-2 Axle Installations (Optional)





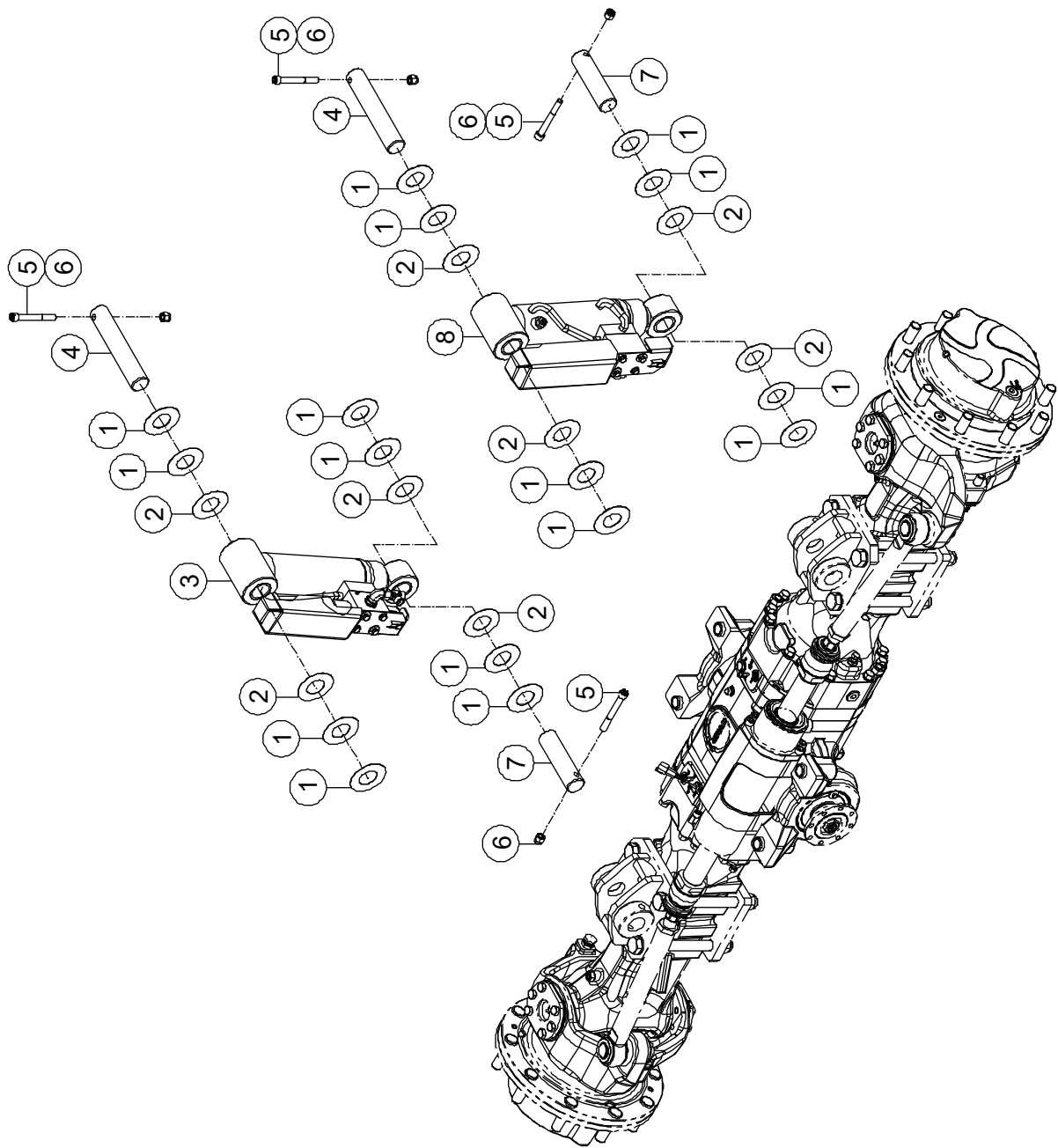
**1-2 Axle Installations (Optional)**

Item	Part Number	Description	Qty.	Remark
1	00008386	Rear Axle Assembly	1	
2	00004487	Nut GB/T 6182 M22	16	
3	00002550	Flat Washer GB/T 97.1 22	32	
4	00001249	Nut GB/T 6182 M12	8	
5	00000814	Flat Washer GB/T 97.1 12	24	
6	00002904	Bolt GB/T 5783 M14 × 40	8	
7	00001258	Spring Washer GB/T 93 14	8	
8	00001043	Flat Washer GB/T 97.1 14	8	
9	50005351	Bracket	2	
10	00002452	Bolt GB/T 5783 M12 × 45	8	
11	00002059	Bolt GB/T 5783 M12 × 30	8	
12	00000815	Spring Washer GB/T 93 12	8	
13	92102174	Bracket	1	
14	00001554	O-Ring	1	
15	92100570	Drive Motor Assembly	1	
16	00002224	Bolt GB/T 5783 M20 × 50	4	
17	00002219	Spring Washer GB/T 93 20	4	
18	00001050	Flat Washer GB/T 97.1 20	4	
19	00008387	Front Axle Assembly	1	
20	00002551	Bolt GB/T 5782 M22 × 240	16	
21	92029121	Seat, Axle Lockout Cylinder Assembly	2	
22	92029119	Bracket, Link	2	
23	00002552	Bolt GB/T 5782 M20 × 130	4	
24	00001050	Flat Washer GB/T 97.1 20	4	
25	00001059	Screw GB/T 70 M10 × 30	16	
26	00000679	Spring Washer GB/T 93 10	16	
27	00000615	Flat Washer GB/T 97.1 10	16	
28	92046490	Propeller Shaft	1	
29	92102177	Bracket	1	

**1-2 Axle Installations (Optional) (Continued)**

Item	Part Number	Description	Qty.	Remark
30	92003368	Bracket, Link	2	

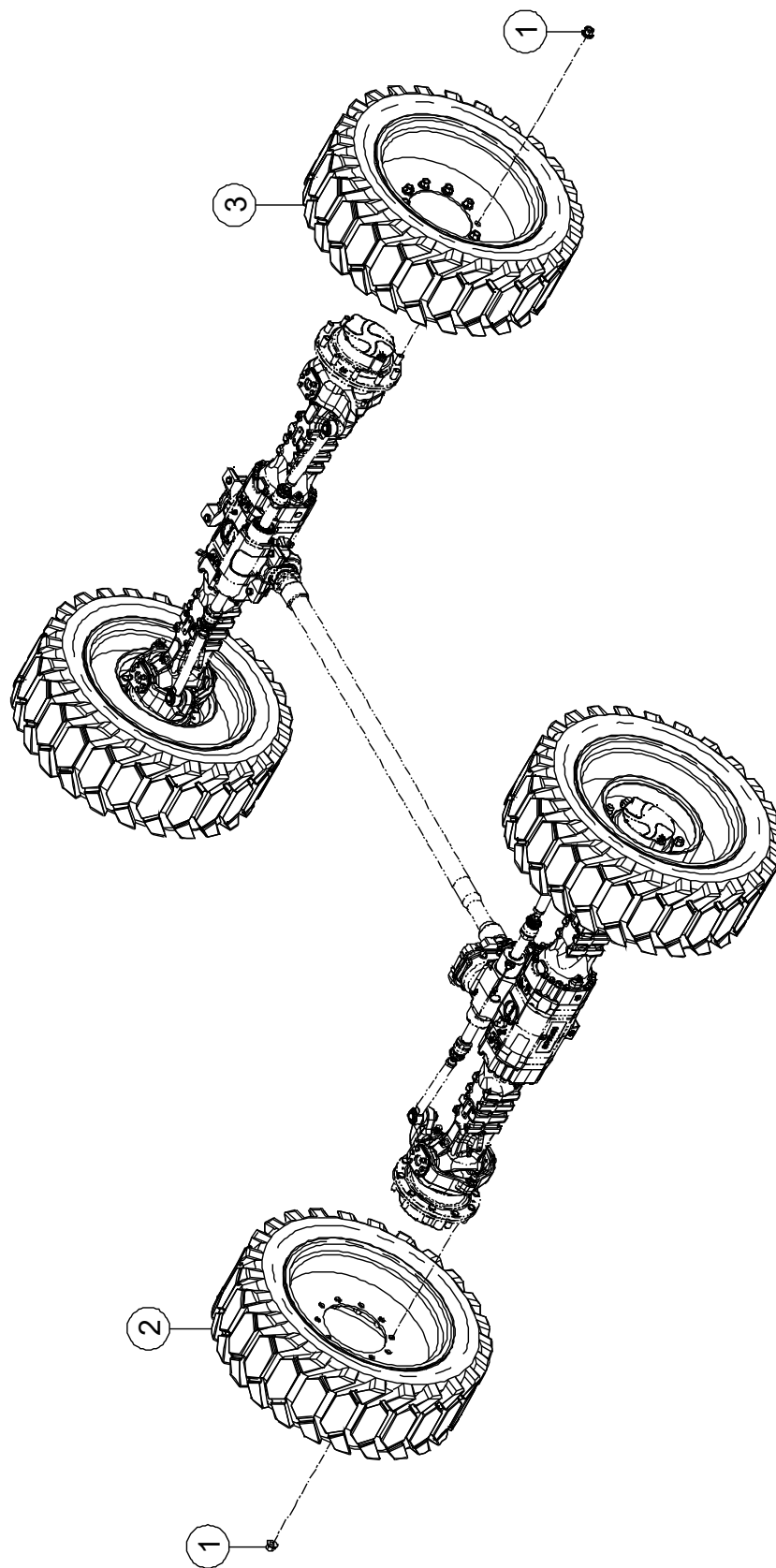
### 1-3 Axle Lockout Cylinder Installations



**1-3 Axle Lockout Cylinder Installations**

Item	Part Number	Description	Qty.	Remark
1	90029459	Shim	16	
2	90029460	Shim	8	
3		Left Axle Lockout Cylinder Assembly (Refer to 5-1)	1	
4	92029458	Pin	2	
5	00002554	Screw GB/T 70 M12 × 100	4	
6	00001249	Nut GB/T 6182 M12	4	
7	92029120	Pin	2	
8		Right Axle Lockout Cylinder Assembly (Refer to 5-2)	1	

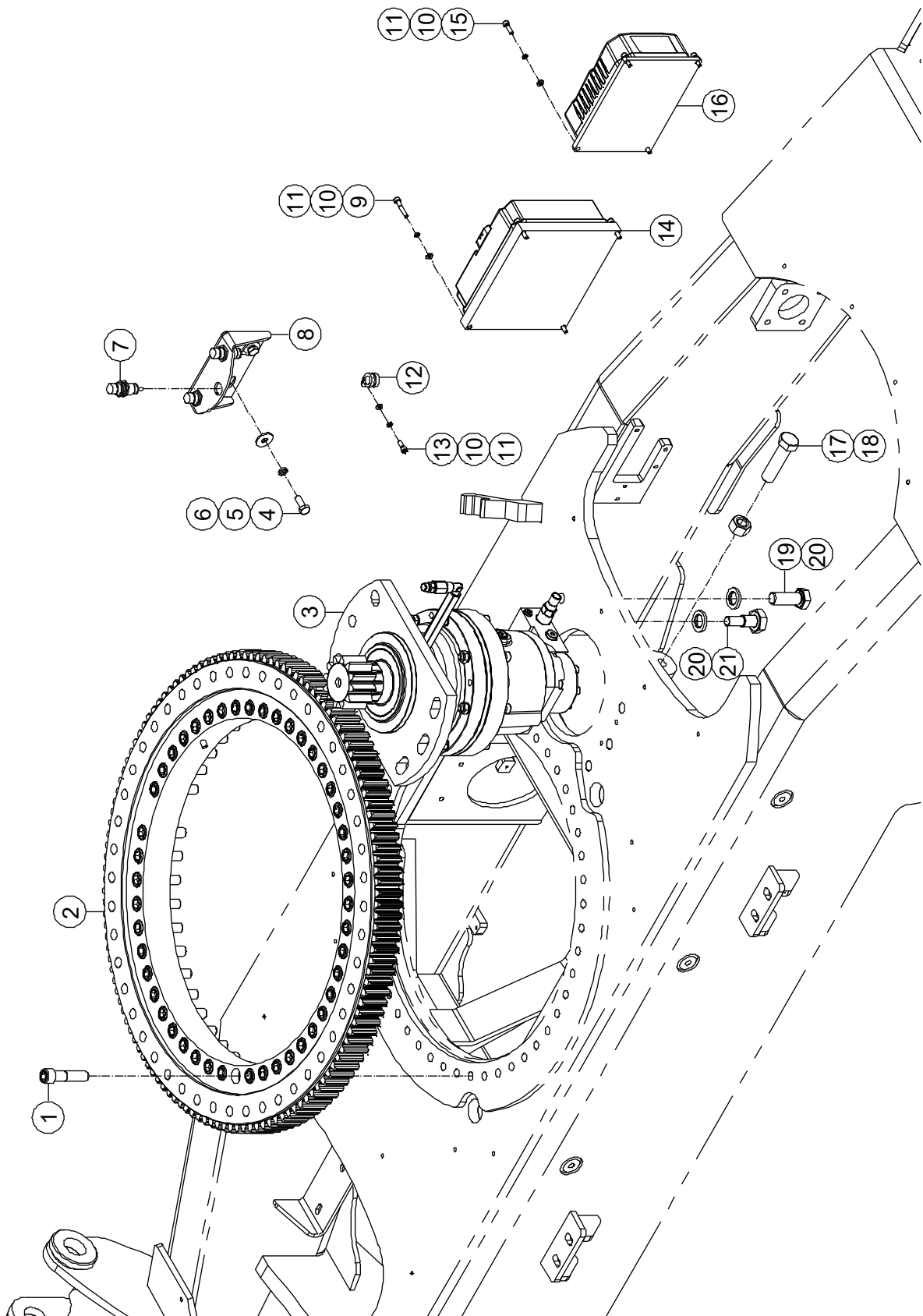
### 1-4 Tire and Wheel Installations



**1-4 Tire and Wheel Installations**

Item	Part Number	Description	Qty.	Remark
1	00002650	Nut M22×1.5	40	
2	92049187	Tire and Wheel Assembly (Left Side)	2	
3	92049175	Tire and Wheel Assembly (Right Side)	2	

### 1-5 Slewing Ring Installations

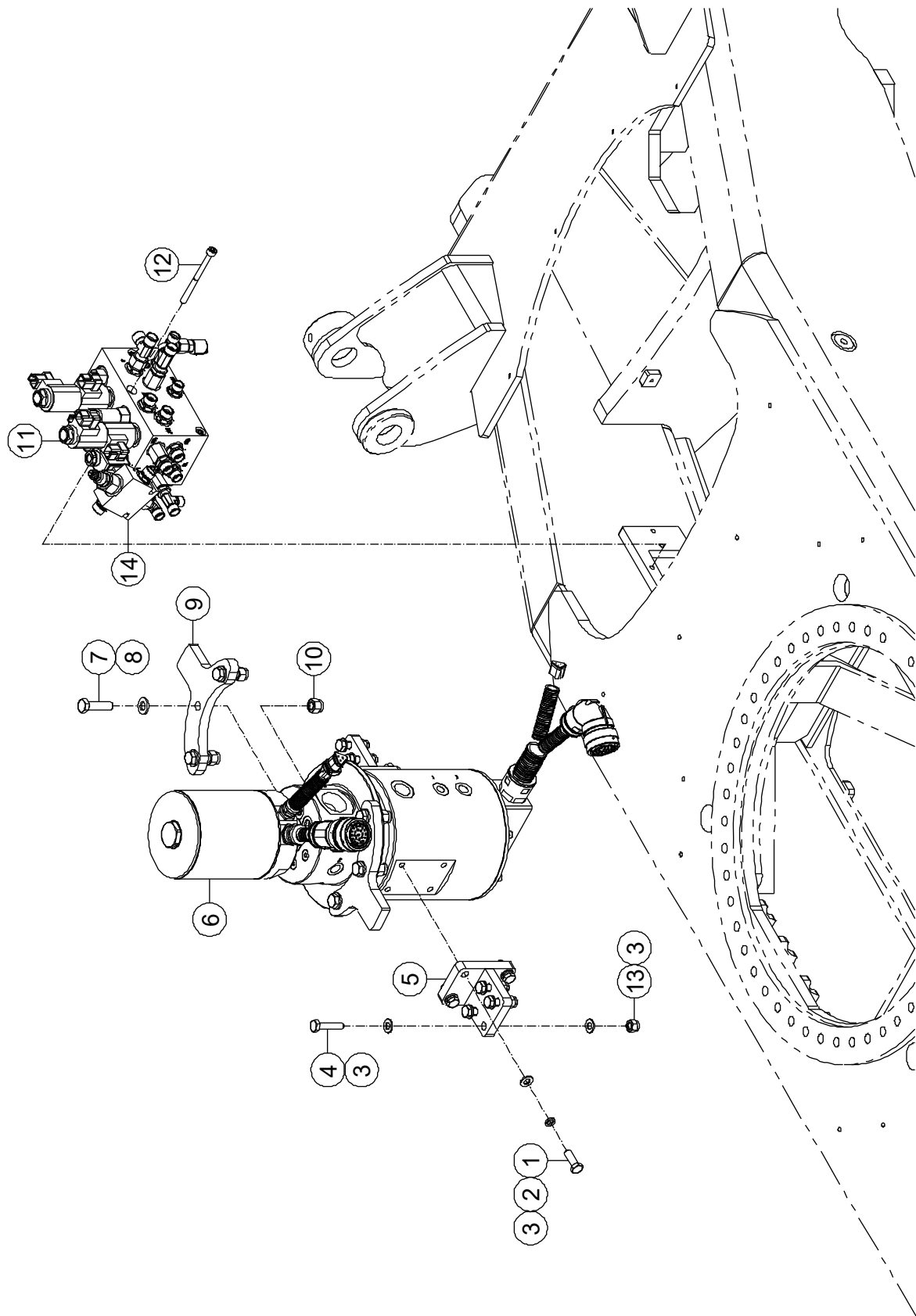


### 1-5 Slewing Ring Installations

Item	Part Number	Description	Qty.	Remark
1	00002056	Screw GB/T 70 M16 × 70	47	
2	92047787	Slewing Ring	1	
3	00006823	Gearmotor	1	
--	00008952	Motor Assembly	1	
--	00008950	Valve Block	1	
4	00000678	Bolt GB/T 5783 M10 × 25	2	
5	00000679	Spring Washer GB/T 93 10	2	
6	00001028	Flat Washer GB/T 96.1 10	2	
7	00007341	Proximity Switch	3	
8	92049362	Bracket, Switch	1	
9	00002934	Screw GB/T 70 M6 × 35	4	
10	00000621	Spring Washer GB/T 93 6	9	
11	00000620	Flat Washer GB/T 97.1 6	9	
12	92100579	Clamp	1	
13	00000876	Screw GB/T 70 M6 × 16	1	
14	92100569	Motor Controller	1	
15	00000774	Screw GB/T 70 M6 × 20	4	
16	00009381	Motor Controller	1	
17	00003875	Bolt GB/T 5783 M20 × 80	1	
18	00002272	Nut GB/T 6170 M20	1	
19	00002734	Bolt GB/T 5783 M20 × 55	5	
20	00001103	Flat Washer 20 JB/ZQ 4080-2006	6	
21	92100255	Bolt M16	1	



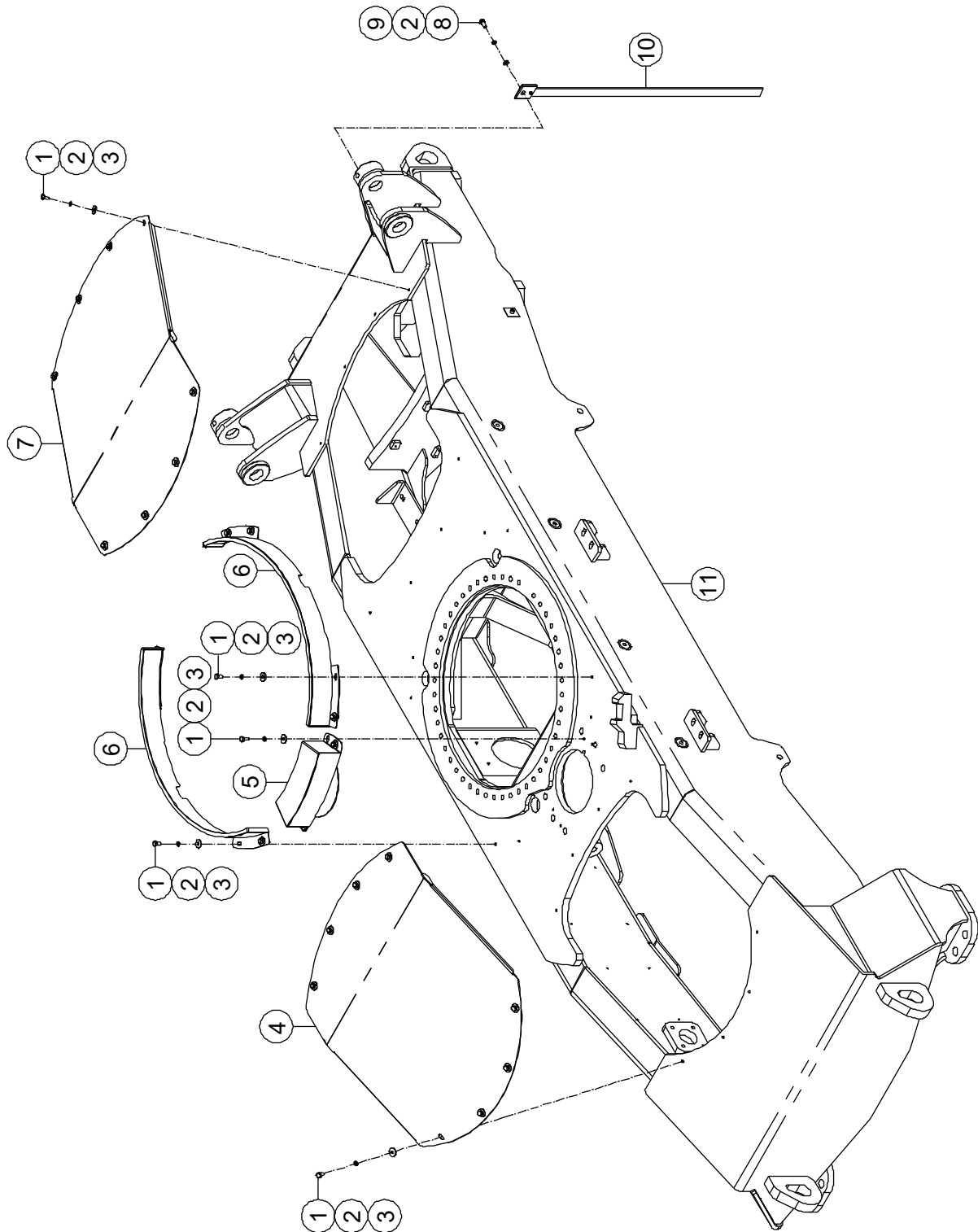
### 1-6 Rotary Coupling Installations



**1-6 Rotary Coupling Installations**

Item	Part Number	Description	Qty.	Remark
1	00000683	Bolt GB/T 5783 M10 × 30	8	
2	00000679	Spring Washer GB/T 93 10	8	
3	00000615	Flat Washer GB/T 97.1 10	24	
4	00002411	Bolt GB/T 5783 M10 × 45	8	
5	92029130	Support	2	
6	92047837	Rotary Coupling Assembly	1	
--	00009008	Slip Ring	1	
7	00002452	Bolt GB/T 5783 M12 × 45	6	
8	00000814	Flat Washer GB/T 97.1 12	6	
9	92049365	Plate	2	
10	00001249	Nut GB/T 6182 M12	6	
11	92049352	Chassis Manifold ( <i>Refer to 1-19</i> )	1	
12	00002497	Screw GB/T 70 M8 × 100	3	
13	00000623	Nut GB/T 6182 M10	8	
14	92100615	Cartridge, Pressure Reducing Valve	1	

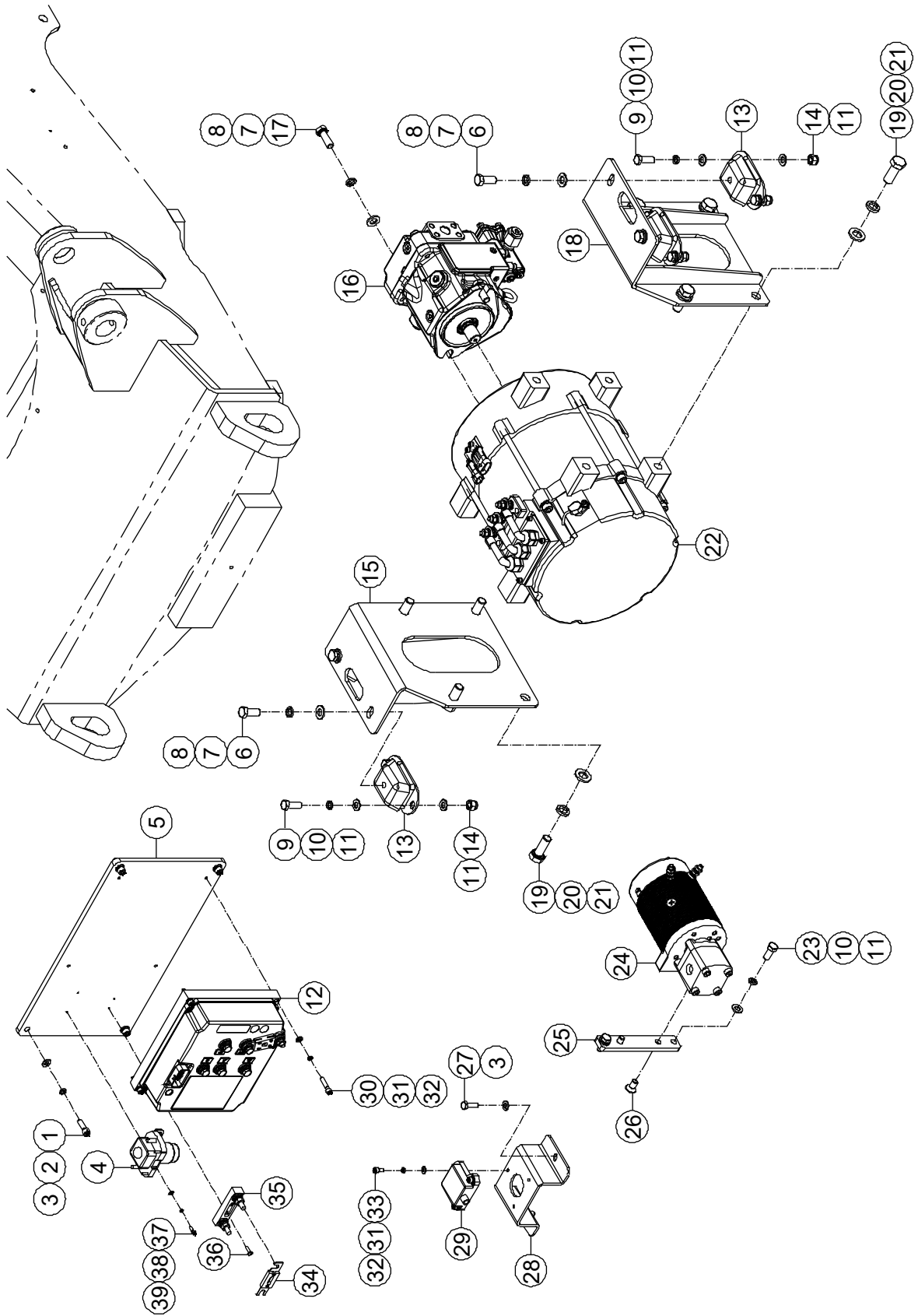
### 1-7 Chassis Components



**1-7 Chassis Components**

Item	Part Number	Description	Qty.	Remark
1	00001063	Bolt GB/T 5783 M8 × 16	28	
2	00000609	Spring Washer GB/T 93 8	29	
3	00002000	Flat Washer GB/T 96.1 8	28	
4	92100568	Cover	1	
5	92100259	Housing	1	
6	92049340	Housing	2	
7	92049190	Cover	1	
8	00000875	Bolt GB/T 5783 M8 × 20	1	
9	00000608	Flat Washer GB/T 97.1 8	1	
10	00006555	Ground Strap	1	
11	92101664	Chassis	1	

### 1-8 Front Axle Accessory



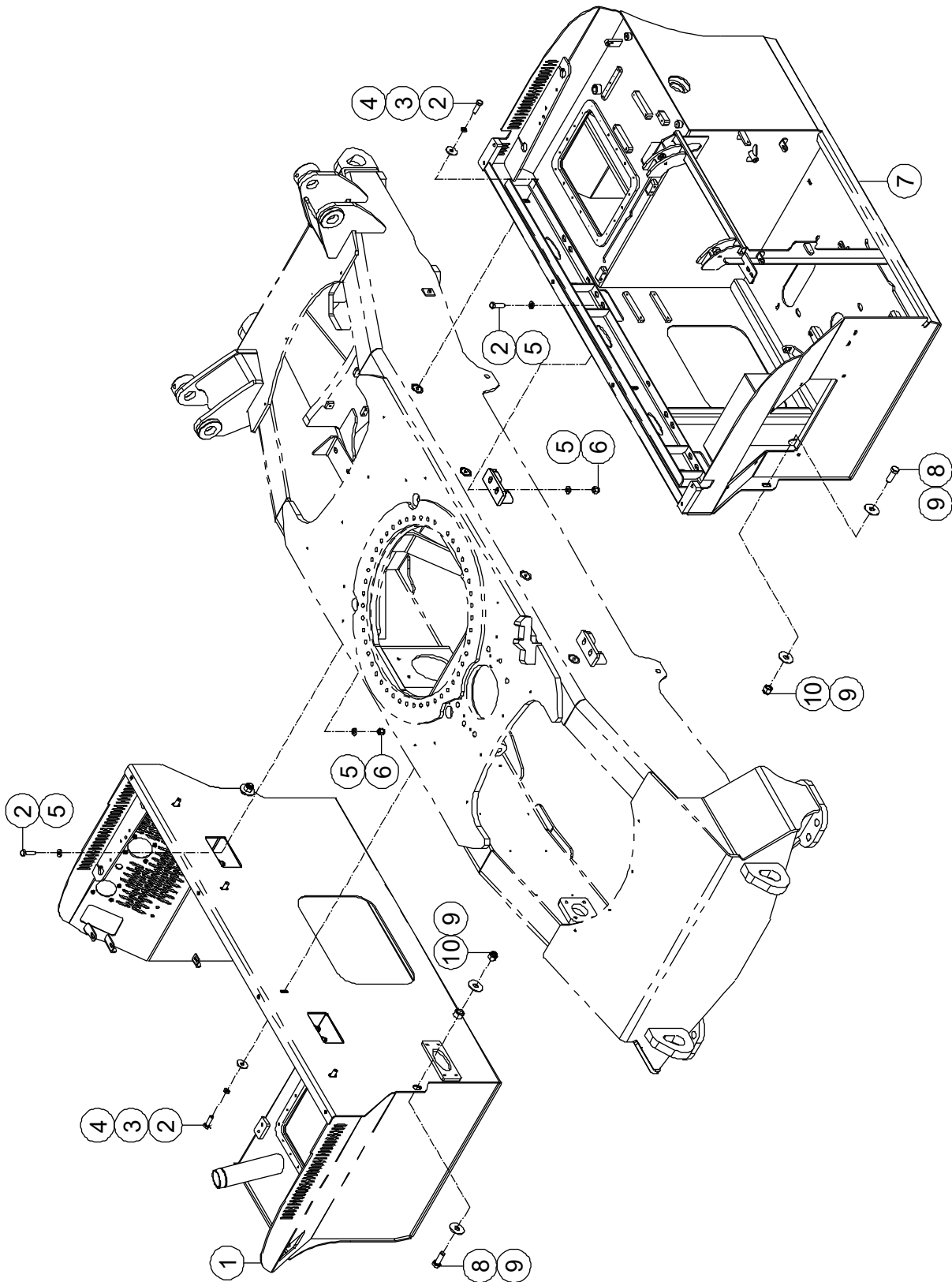
**1-8 Front Axle Accessory**

Item	Part Number	Description	Qty.	Remark
1	00002555	Screw GB/T 70 M8 × 25	4	
2	00000609	Spring Washer GB/T 93 8	4	
3	00000608	Flat Washer GB/T 97.1 8	6	
4	00002205	Contactora	1	
5	92101682	Aluminium Plate	1	
6	00002059	Bolt GB/T 5783 M12 × 30	4	
7	00000815	Spring Washer GB/T 93 12	6	
8	00000814	Flat Washer GB/T 97.1 12	6	
9	00000683	Bolt GB/T 5783 M10 × 30	8	
10	00000679	Spring Washer GB/T 93 10	10	
11	00000615	Flat Washer GB/T 97.1 10	18	
12	92100569	Motor Controller	1	
13	92100536	Rubber Mounting	4	
14	00000623	Nut GB/T 6182 M10	8	
15	92101675	Bracket	1	
16	00008244	Function Pump Assembly	1	Standard
	92100690	Function Pump Assembly	1	Optional
17	00002046	Bolt GB/T 5783 M12 × 35	2	
18	92101672	Bracket	1	
19	00001161	Bolt GB/T 5783 M16 × 40	8	
20	00001035	Spring Washer GB/T 93 16	8	
21	00000997	Flat Washer GB/T 97.1 16	8	
22	00009382	Motor Assembly	1	
23	00000678	Bolt GB/T 5783 M10 × 25	2	
24	00006580	Emergency Pump Assembly	1	
--	00006954	Motor	1	
--	00006955	Pump	1	
25	92101679	Plate	1	
26	00000845	Screw GB/T 70.3 M10×20	2	

**1-8 Front Axle Accessory (Continued)**

Item	Part Number	Description	Qty.	Remark
27	00000993	Bolt GB/T 5783 M8 × 25	2	
28	92101677	Bracket, Sensor	1	
29	00002610	Tilt Sensor	1	Standard, single channel
	00002917	Tilt Sensor	1	Optional, dual channel
30	00001042	Screw GB/T 70 M6 × 30	4	
31	00000621	Spring Washer GB/T 93 6	7	
32	00000620	Flat Washer GB/T 97.1 6	7	
33	00002029	Screw GB/T 70 M6 × 12	3	
34	00000759	200A Fuse	1	
35	00000757	Seat, Fuse	1	
36	00001232	Screw GB/T 818 M4 × 16 - H	2	
37	00001054	Screw GB/T 70 M4 × 12	2	
38	00000779	Spring Washer GB/T 93 4	2	
39	00000778	Flat Washer GB/T 97.1 4	2	

### 1-9 Module Installations

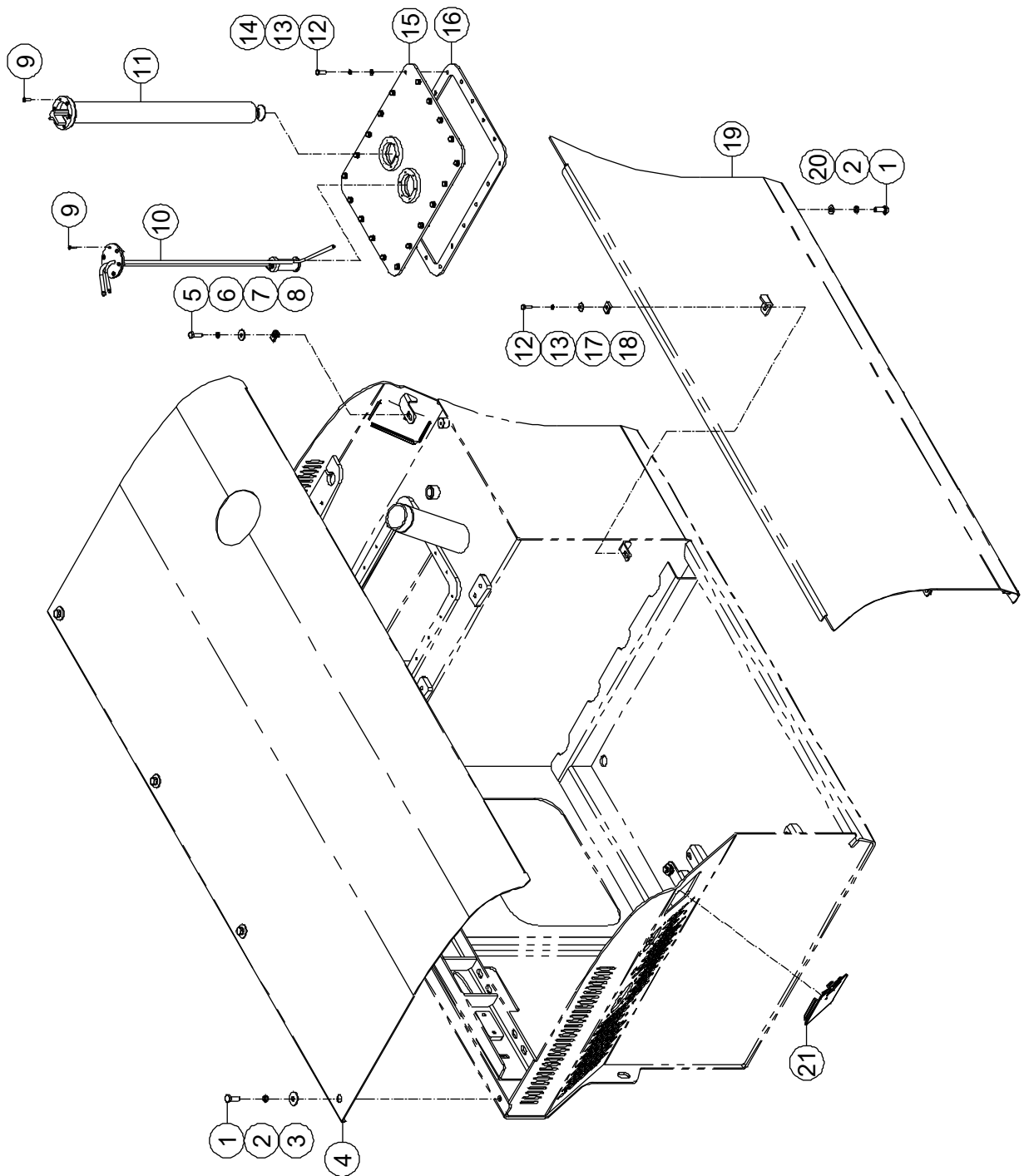




**1-9 Module Installations**

Item	Part Number	Description	Qty.	Remark
1	92101683	Battery Module	1	
2	00001055	Bolt GB/T 5783 M12 × 40	16	
3	00000815	Spring Washer GB/T 93 12	8	
4	00002601	Flat Washer GB/T 96.1 12	8	
5	00000814	Flat Washer GB/T 97.1 12	16	
6	00001249	Nut GB/T 6182 M12	8	
7	92101692	Hydraulic Module	1	
8	00001057	Bolt GB/T 5783 M16 × 45	4	
9	00003071	Flat Washer GB/T 96.1 16	8	
10	00001257	Nut GB/T 6182 M16	4	

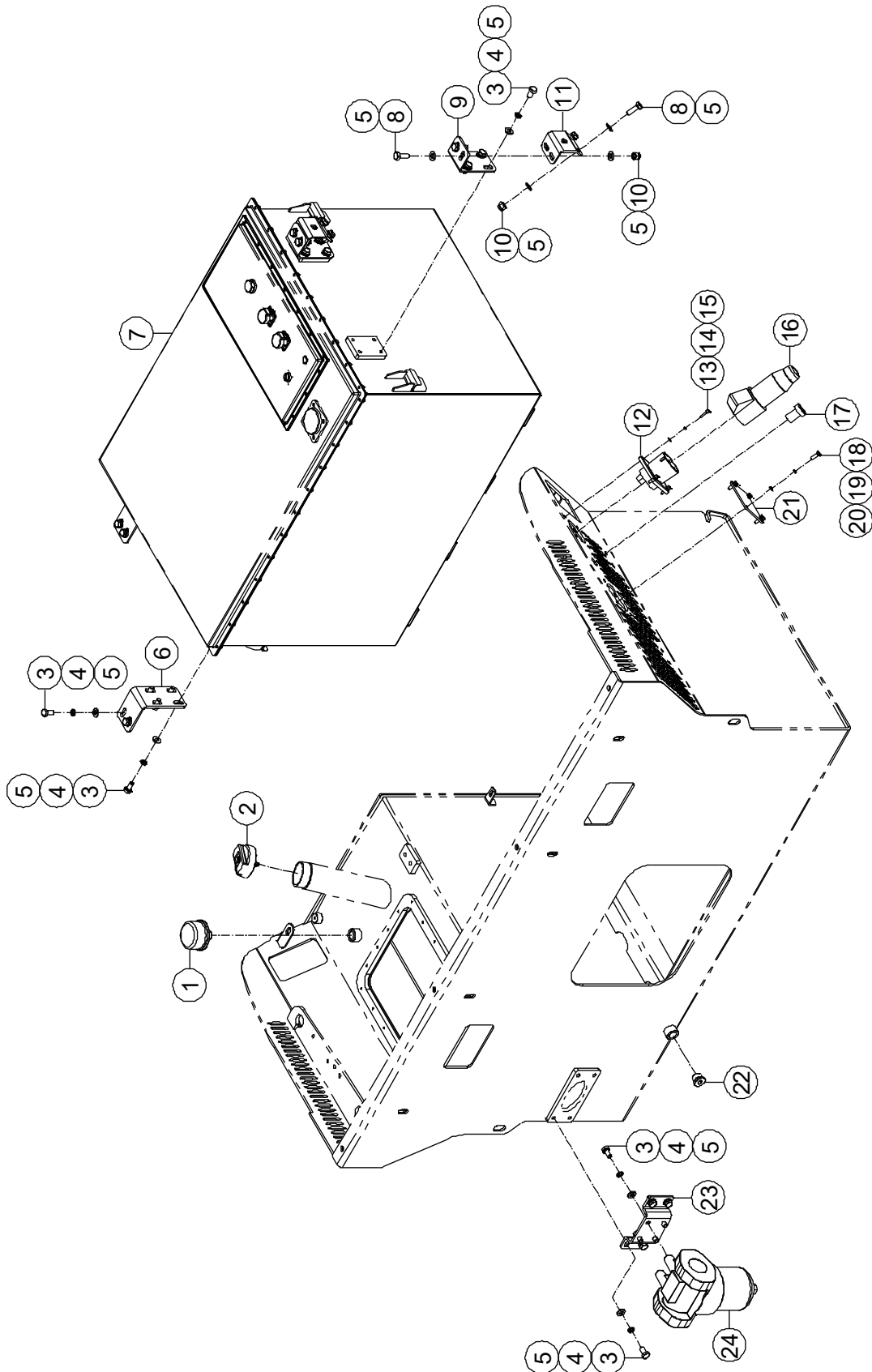
### 1-10 Battery Module Assembly 1



**1-10 Battery Module Assembly 1**

Item	Part Number	Description	Qty.	Remark
1	00000678	Bolt GB/T 5783 M10 × 25	9	
2	00000679	Spring Washer GB/T 93 10	9	
3	00001028	Flat Washer GB/T 96.1 10	4	
4	92101720	Cover	1	
5	00000993	Bolt GB/T 5783 M8 × 25	2	
6	00000609	Spring Washer GB/T 93 8	2	
7	00002000	Flat Washer GB/T 96.1 8	2	
8	00006251	Nut QC/T 885 M8	2	
9	00001232	Screw GB/T 818 M4 × 16 - H	12	
10	92101743	Suction Pipe	1	
11	00004768	Fuel Level Sensor	1	
12	00000743	Bolt GB/T 5783 M6 × 20	24	
13	00000621	Spring Washer GB/T 93 6	24	
14	00000620	Flat Washer GB/T 97.1 6	20	
15	92100961	Cover	1	
16	50001438	Seal	1	
17	00002583	Flat Washer GB/T 96.1 6	4	
18	50000112	Nut QC/T 885 M6	3	
19	92101739	Cover	1	
20	00000615	Flat Washer GB/T 97.1 10	5	
21	92101175	Cover	2	

### 1-11 Battery Module Assembly 2



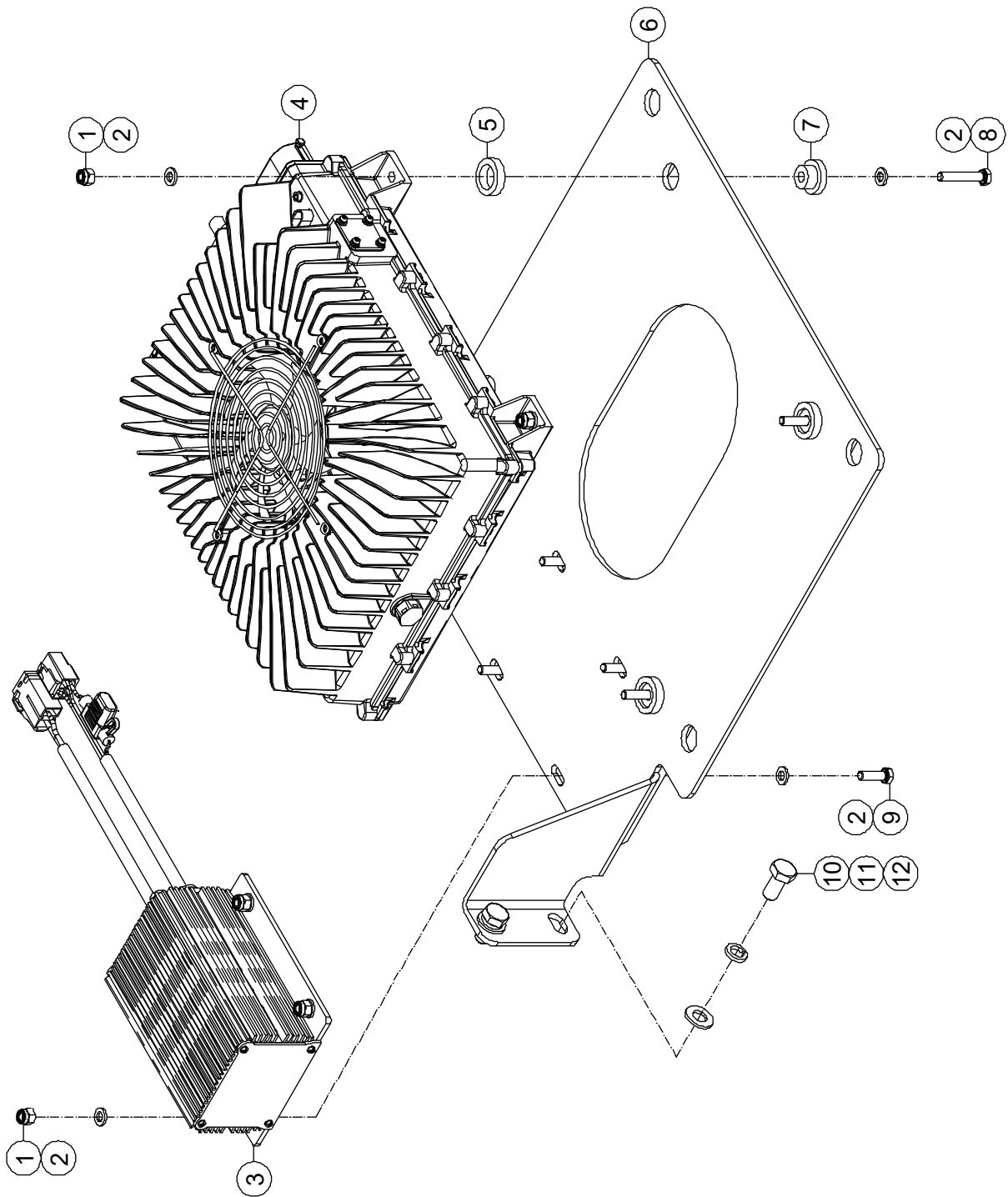
**1-11 Battery Module Assembly 2**

Item	Part Number	Description	Qty.	Remark
1	90028620	Filter	1	
2	90003907	Plug	1	
3	00000674	Bolt GB/T 5783 M10 × 20	28	
4	00000679	Spring Washer GB/T 93 10	28	
5	00000615	Flat Washer GB/T 97.1 10	44	
6	92101742	Support	2	
7	00009867	Battery	1	BT30HRT BT30SHRT BT28HRT BT28SHRT BT28BHRT
	00010381	Battery	1	BT26HRT BT26SHRT BT24HRT BT26BHRT BT24BHRT
8	00000683	Bolt GB/T 5783 M10 × 30	8	
9	92100560	Support	2	
10	00000623	Nut GB/T 6182 M10	8	
11	92100941	Support	2	
12	92100612	Plug (Blue)	1	Standard
	00008354	Plug (Red)	1	Optional
13	00000817	Screw GB/T 70 M5 × 20	4	
14	00000606	Spring Washer GB/T 93 5	4	
15	00000605	Flat Washer GB/T 97.1 5	4	
16	92100613	Socket (Blue)	1	Standard
	00008355	Socket (Red)	1	Optional
17	92100534	Charger Indicator	1	
18	00000743	Bolt GB/T 5783 M6 × 20	4	
19	00000621	Spring Washer GB/T 93 6	4	
20	00000620	Flat Washer GB/T 97.1 6	4	
21	92100691	Cover	1	

**1-11 Battery Module Assembly 2 (Continued)**

Item	Part Number	Description	Qty.	Remark
22	00001114	Plug	1	
23	92000113	Support	1	
24	00001871	Pressure Filter	1	

### 1-12 Charger Assembly with Bracket

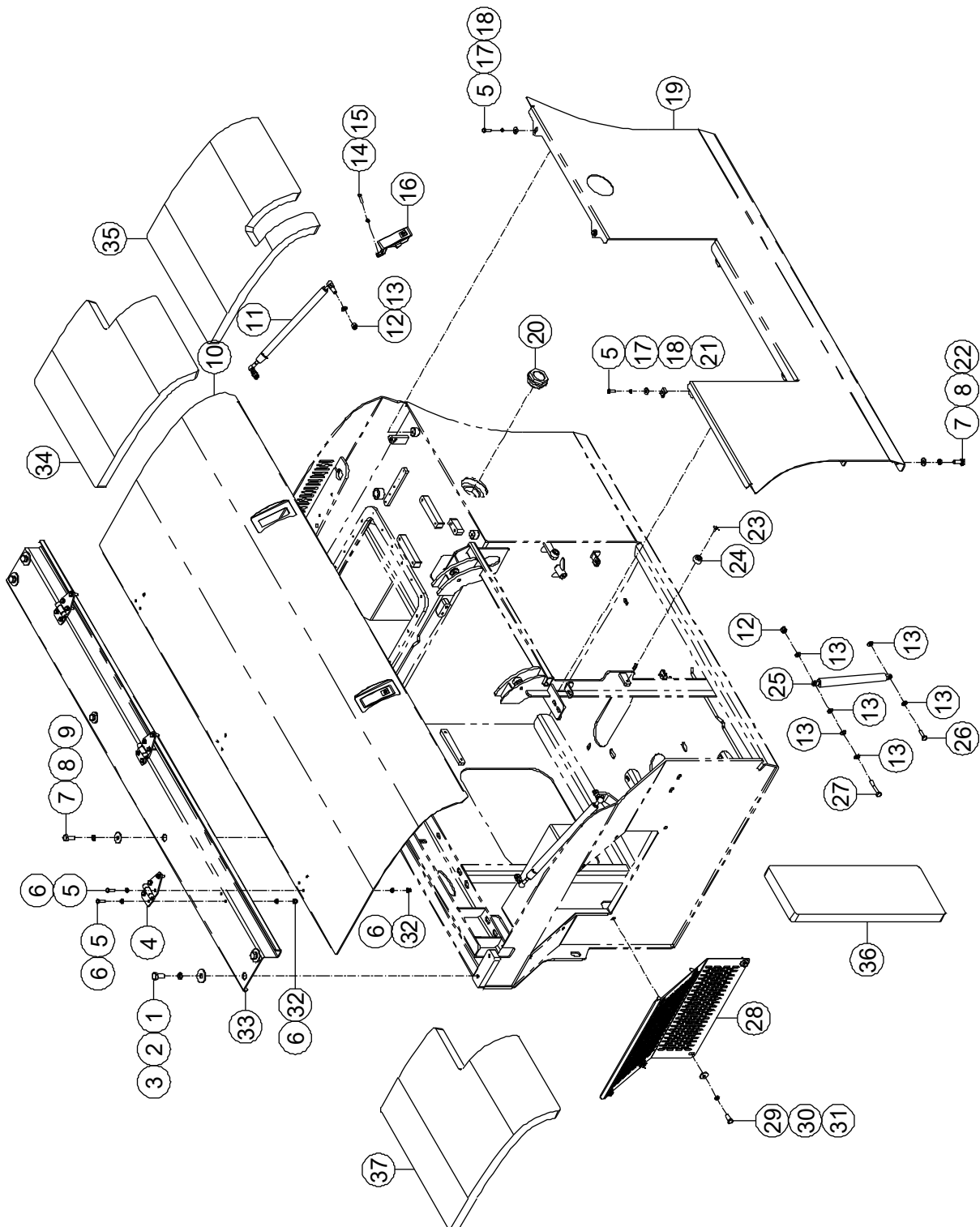


**1-12 Charger Assembly with Bracket**

Item	Part Number	Description	Qty.	Remark
1	00001033	Nut GB/T 6182 M6	8	
2	00000620	Flat Washer GB/T 97.1 6	16	
3	00010703	Dc Power Supply	1	
4	92100559	Charger	1	Standard
	00008241	Charger	1	Optional
5	50002380	Nylon Insulator	4	
6	92101057	Bracket, Charger	1	
7	50002379	Nylon Insulator	4	
8	00002895	Bolt GB/T 5783 M6 × 35	4	
9	00000743	Bolt GB/T 5783 M6 × 20	4	
10	00000674	Bolt GB/T 5783 M10 × 20	4	
11	00000679	Spring Washer GB/T 93 10	4	
12	00000615	Flat Washer GB/T 97.1 10	4	



### 1-13 Hydraulic Module Assembly 1



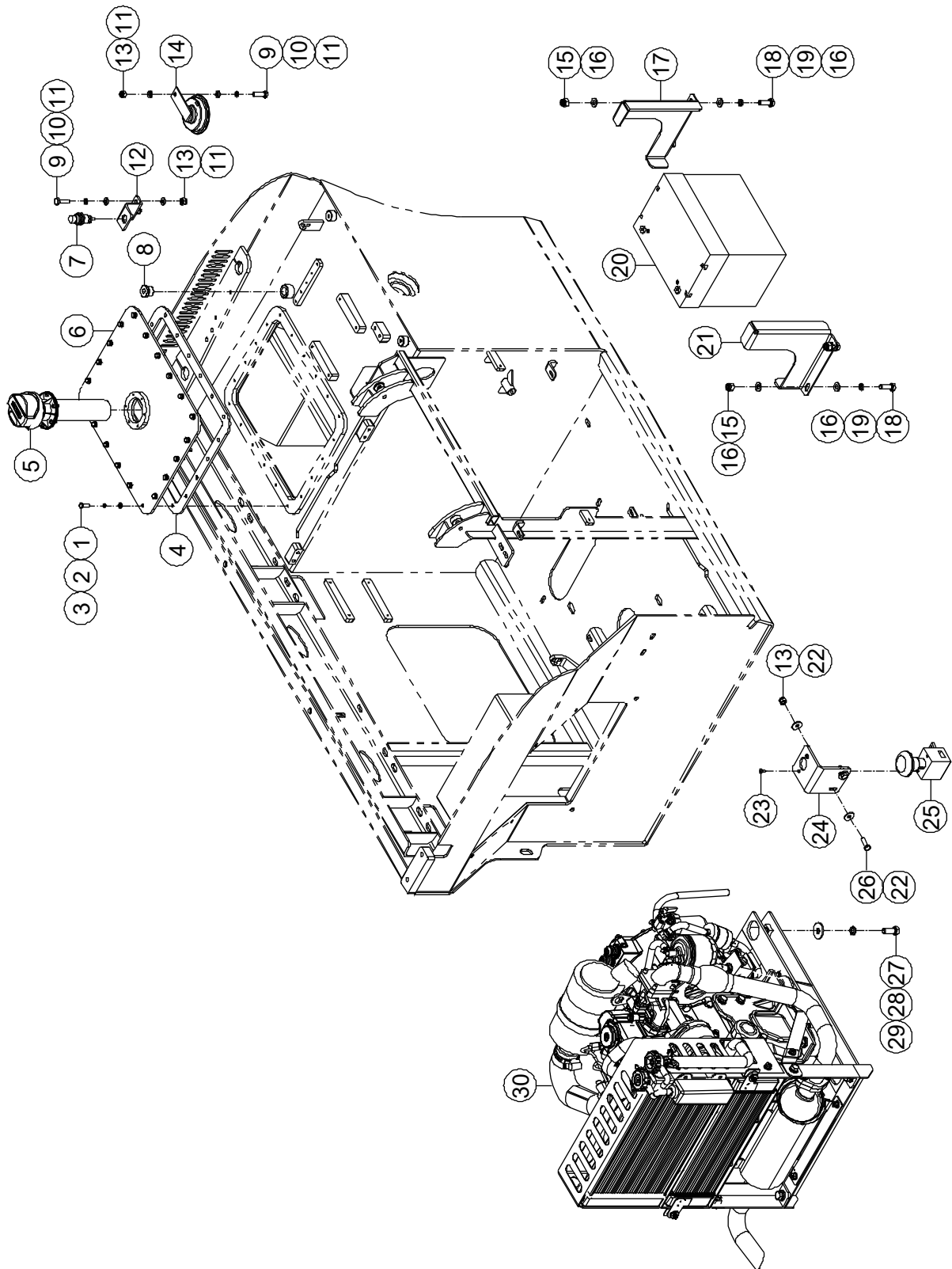
**1-13 Hydraulic Module Assembly 1**

Item	Part Number	Description	Qty.	Remark
1	00000816	Bolt GB/T 5783 M12 × 25	4	
2	00000815	Spring Washer GB/T 93 12	4	
3	00002601	Flat Washer GB/T 96.1 12	4	
4	92000359	Hinge	3	
5	00000743	Bolt GB/T 5783 M6 × 20	22	
6	00000620	Flat Washer GB/T 97.1 6	30	
7	00000678	Bolt GB/T 5783 M10 × 25	7	
8	00000679	Spring Washer GB/T 93 10	7	
9	00001028	Flat Washer GB/T 96.1 10	2	
10	92101728	Cover	1	
11	92101754	Spring, Gas	2	
12	00001163	Nut GB/T 6182 M8	5	
13	00000608	Flat Washer GB/T 97.1 8	10	
14	00006261	Bolt GB/T 5783 M5 × 35	2	
15	00000688	Nut GB/T 6170 M5	2	
16	92048979	Lock	2	
17	00000621	Spring Washer GB/T 93 6	7	
18	00002583	Flat Washer GB/T 96.1 6	7	
19	92101725	Cover	1	
20	90015911	Level Indicator	1	
21	50000112	Nut QC/T 885 M6	5	
22	00000615	Flat Washer GB/T 97.1 10	5	
23	00001011	Screw GB/T 973 M5×12	2	
24	10000376	Spacer, rubber	2	
25	92004808	Spring, Gas	1	
26	00000993	Bolt GB/T 5783 M8 × 25	1	
27	00002089	Bolt GB/T 5782 M8 × 50	1	
28	92101745	Cover	1	
29	00000875	Bolt GB/T 5783 M8 × 20	6	

**1-13 Hydraulic Module Assembly 1 (Continued)**

Item	Part Number	Description	Qty.	Remark
30	00000609	Spring Washer GB/T 93 8	6	
31	00002000	Flat Washer GB/T 96.1 8	6	
32	00001033	Nut GB/T 6182 M6	15	
33	92101722	Cover	1	
34	92102435	Soundproof Cotton	1	
35	92102436	Soundproof Cotton	1	
36	92102437	Soundproof Cotton	1	
37	92102434	Soundproof Cotton	1	

### 1-14 Hydraulic Module Assembly 2



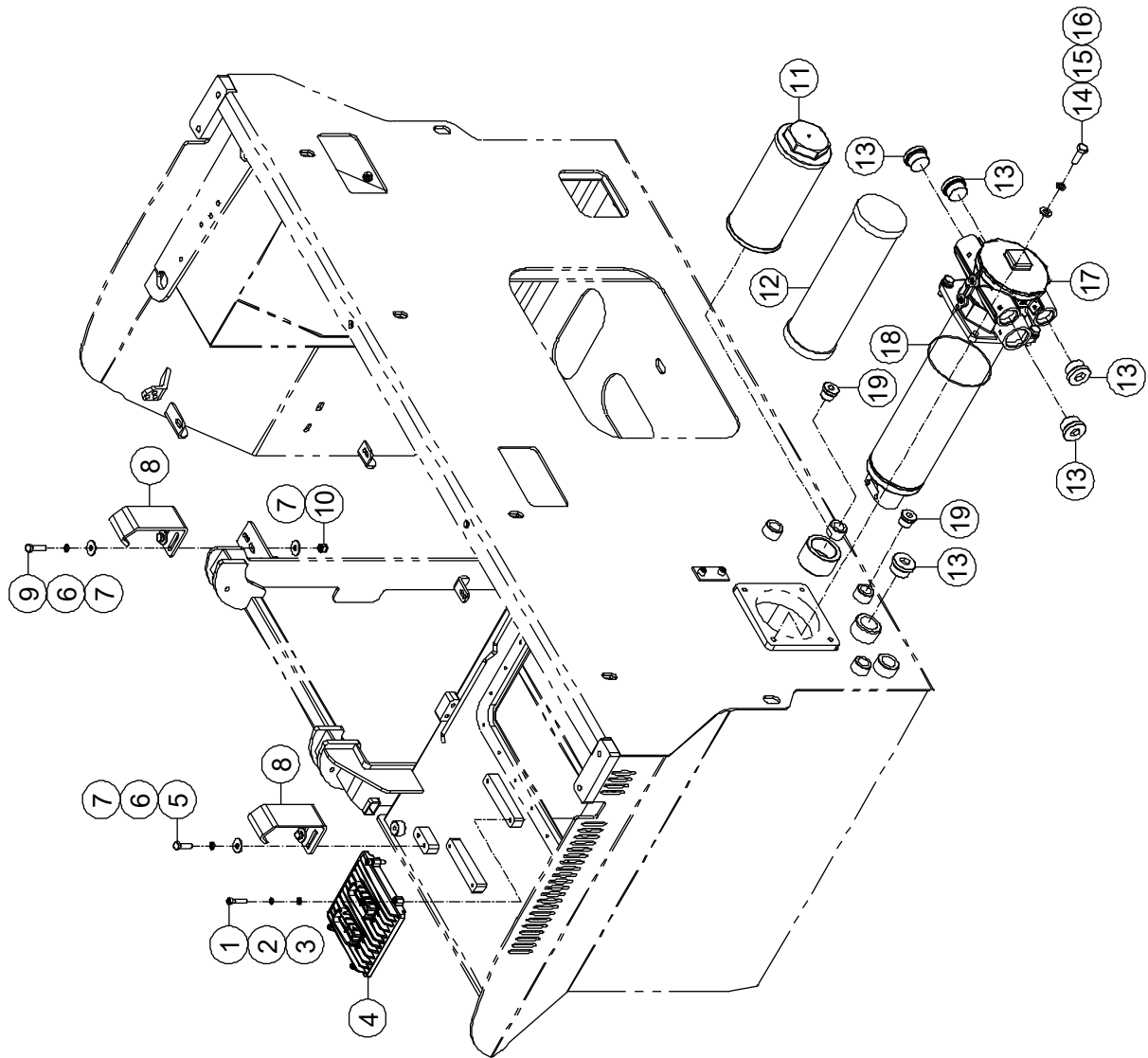
**1-14 Hydraulic Module Assembly 2**

Item	Part Number	Description	Qty.	Remark
1	00000743	Bolt GB/T 5783 M6 × 20	20	
2	00000621	Spring Washer GB/T 93 6	20	
3	00000620	Flat Washer GB/T 97.1 6	20	
4	50001438	Seal	1	
5	90012734	Vent Plug	1	
6	92100213	Cover	1	
7	00007341	Proximity Switch	1	
8	00001114	Plug	1	
9	00000995	Bolt GB/T 5783 M8 × 30	3	
10	00000609	Spring Washer GB/T 93 8	3	
11	00000608	Flat Washer GB/T 97.1 8	6	
12	50000516	Support	1	
13	00001163	Nut GB/T 6182 M8	5	
14	00002212	Horn	1	
15	00000623	Nut GB/T 6182 M10	4	
16	00000615	Flat Washer GB/T 97.1 10	8	
17	92101751	Support	1	
18	00000683	Bolt GB/T 5783 M10 × 30	4	
19	00000679	Spring Washer GB/T 93 10	4	
20	00002350	Battery	1	
21	92101752	Support	1	
22	00002000	Flat Washer GB/T 96.1 8	4	
23	00002319	Screw GB/T 818 M5 × 10 - H	2	
24	92102151	Support	1	
25	00000655	Switch	1	
26	00000993	Bolt GB/T 5783 M8 × 25	2	
27	00002059	Bolt GB/T 5783 M12 × 30	6	
28	00000815	Spring Washer GB/T 93 12	6	
29	00002601	Flat Washer GB/T 96.1 12	6	

**1-14 Hydraulic Module Assembly 2 (Continued)**

Item	Part Number	Description	Qty.	Remark
30	00009865	Generator group	1	
--	92101670	Engine	1	
--	00010807	Motor	1	
--	00010808	Engine support assembly	1	
--	00010809	Radiator, motor	1	
--	00011851	Radiator, engine	1	
--	00010810	Rubber Mounting	1	
--	00010811	Coolant pump	1	
--	00010812	Air filter	1	
--	00010813	Oil-water separator	1	
--	00010814	Fuel Filter	1	
--	00010815	Fuel Filter	1	
--	00010816	Fuel pump	1	
--	00010824	Filter Cartridge	1	

### 1-15 Hydraulic Module Assembly 3

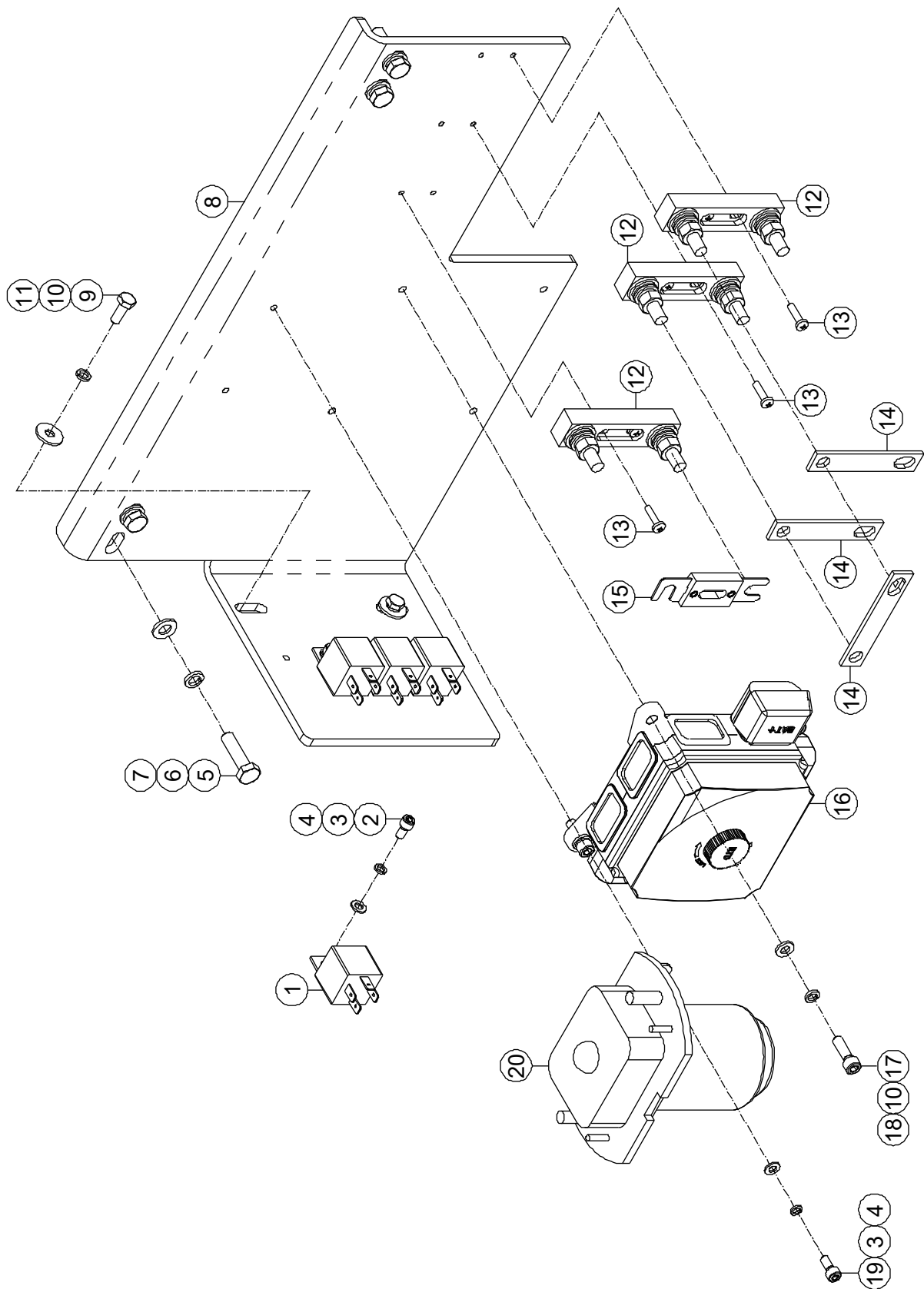


**1-15 Hydraulic Module Assembly 3**

Item	Part Number	Description	Qty.	Remark
1	00001042	Screw GB/T 70 M6 × 30	4	
2	00000621	Spring Washer GB/T 93 6	4	
3	00000620	Flat Washer GB/T 97.1 6	4	
4	00008699	Controller	1	
--	85000120	Controller	1	BT24HRT
--	85000131	Controller	1	BT24BHRT
--	85000121	Controller	1	BT26HRT
--	85000122	Controller	1	BT26SHRT
--	85000132	Controller	1	BT26BHRT
--	85000123	Controller	1	BT28HRT
--	85000124	Controller	1	BT28SHRT
--	85000133	Controller	1	BT28BHRT
--	85000125	Controller	1	BT30HRT
--	85000126	Controller	1	BT30SHRT
5	00000993	Bolt GB/T 5783 M8 × 25	2	
6	00000609	Spring Washer GB/T 93 8	4	
7	00002000	Flat Washer GB/T 96.1 8	6	
8	92101747	Plate	2	
9	00000995	Bolt GB/T 5783 M8 × 30	2	
10	00001163	Nut GB/T 6182 M8	2	
11	90029476	Filter Cartridge	1	
12	90023094	Filter Cartridge	1	
13	00001116	Plug	5	
14	00000683	Bolt GB/T 5783 M10 × 30	4	
15	00000679	Spring Washer GB/T 93 10	4	
16	00000615	Flat Washer GB/T 97.1 10	4	
17	90018480	Pipe Connection	1	
18	92009952	O-Ring	1	
19	00001114	Plug	2	



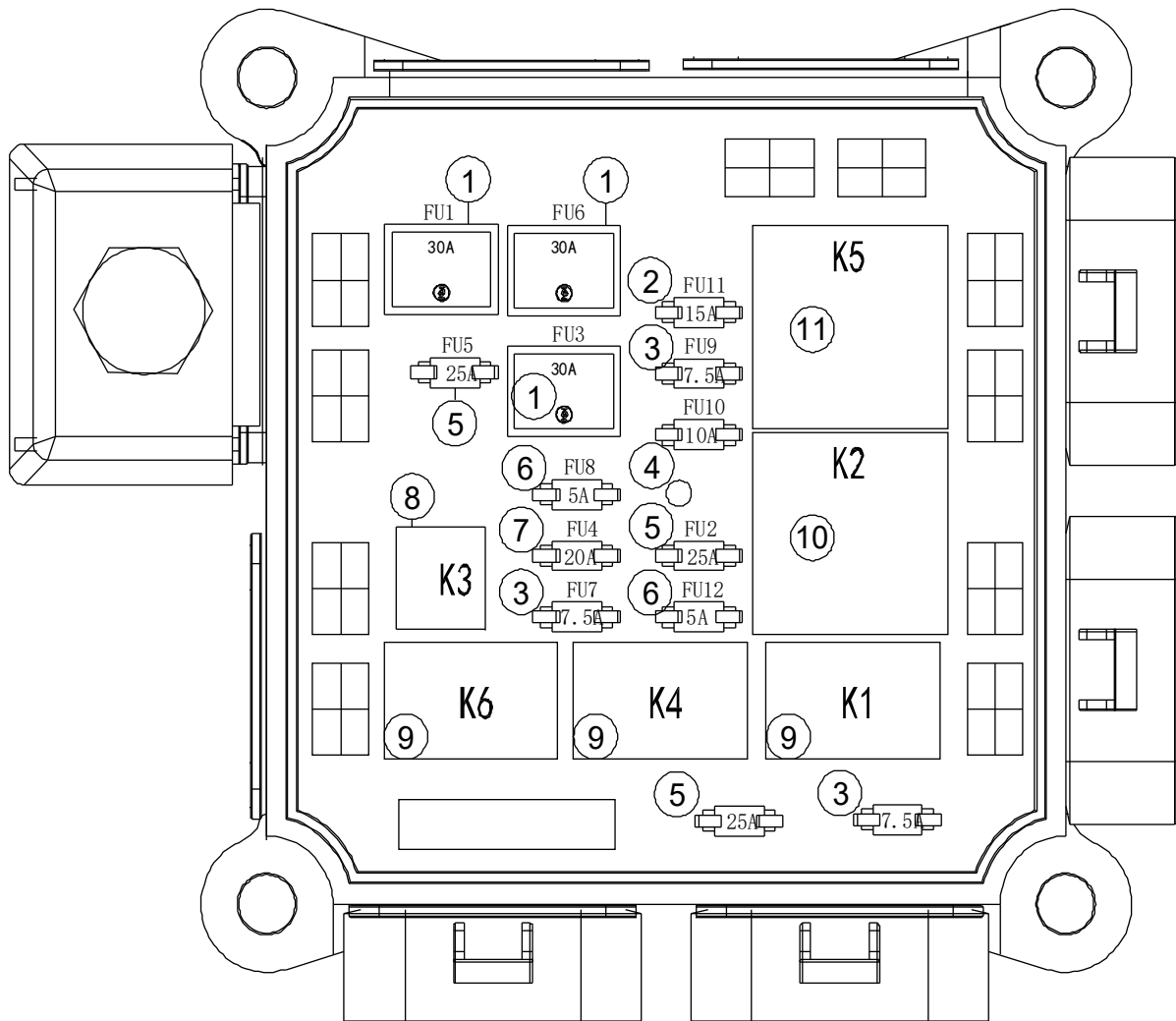
### 1-16 Fuse Assembly



**1-16 Fuse Assembly**

Item	Part Number	Description	Qty.	Remark
1	00006280	Relay	4	
2	00001030	Screw GB/T 70 M5 × 10	4	
3	00000606	Spring Washer GB/T 93 5	6	
4	00000605	Flat Washer GB/T 97.1 5	6	
5	00000995	Bolt GB/T 5783 M8 × 30	4	
6	00000609	Spring Washer GB/T 93 8	4	
7	00000608	Flat Washer GB/T 97.1 8	4	
8	92101749	Support	1	
9	00000818	Bolt GB/T 5783 M6 × 16	2	
10	00000621	Spring Washer GB/T 93 6	6	
11	00002583	Flat Washer GB/T 96.1 6	2	
12	00000757	Seat, Fuse	3	
13	00001232	Screw GB/T 818 M4 × 16 - H	6	
14	50000099	Copper Bar 3	3	
15	00006266	600A Fuse	1	
16	00006155	Power Distribution Module ( <i>Refer to 1-17</i> )	1	
17	00000774	Screw GB/T 70 M6 × 20	4	
18	00000620	Flat Washer GB/T 97.1 6	4	
19	00001252	Screw GB/T 70 M5 × 12	2	
20	00005407	Contacto	1	

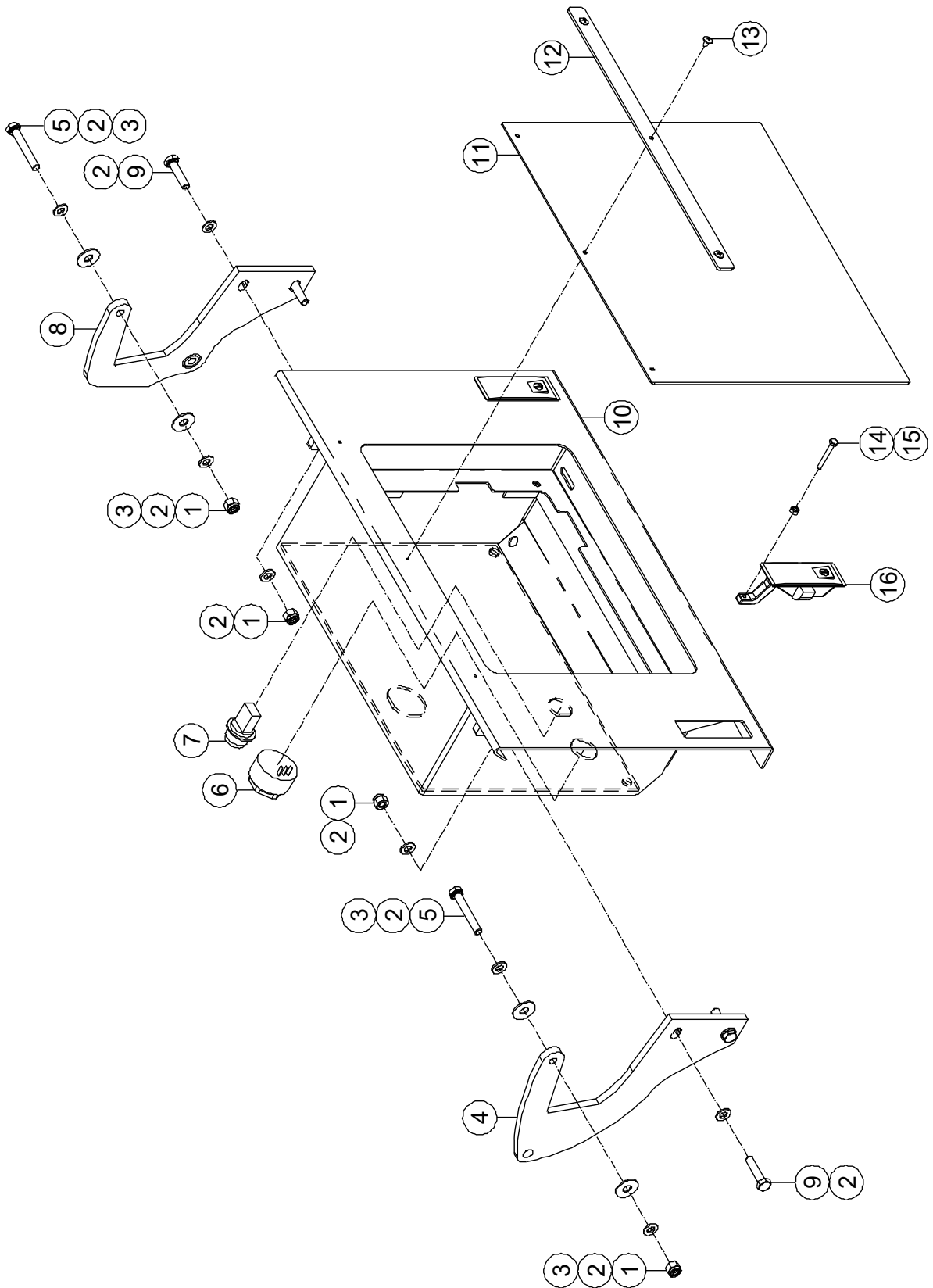
1-17 Power Distribution Module



**1-17 Power Distribution Module**

Item	Part Number	Description	Qty.	Remark
1	00010918	Fuse 30A	3	
2	00010916	Fuse 15A	1	
3	00010914	Fuse 7.5A	3	
4	00010915	Fuse 10A	1	
5	00010930	Fuse 25A	2	
6	00010913	Fuse 5A	2	
7	00010917	Fuse 20A	1	
8	00010921	Relay	1	
9	00010919	Relay	3	
10	00010920	Relay	1	
11	00010922	Relay	1	

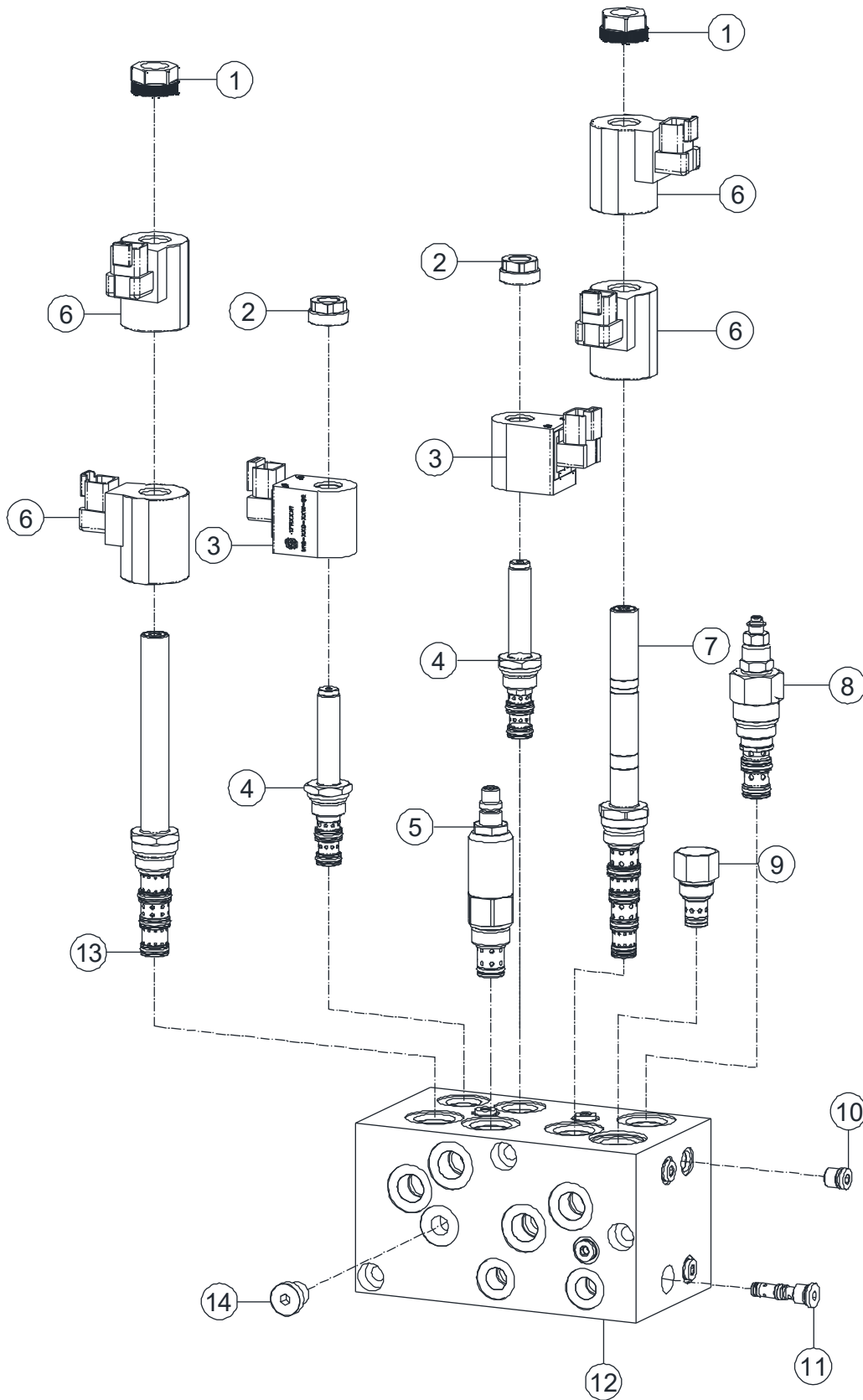
### 1-18 Ground Control Box Assembly



**1-18 Ground Control Box Assembly**

Item	Part Number	Description	Qty.	Remark
1	00001163	Nut GB/T 6182 M8	6	
2	00000608	Flat Washer GB/T 97.1 8	12	
3	92048976	Shim	4	
4	92101738	Hinge	1	
5	00002507	Bolt GB/T 5783 M8 × 55	2	
6	00002326	Alarm	1	
7	00006260	USB Port	1	
8	92100576	Shim	1	
9	00002488	Bolt GB/T 5783 M8 × 35	4	
10	92048954	Ground Control Box	1	
11	92000277	Shield, Plastic	1	
12	92000278	Plate	1	
13	00001001	Screw GB/T 973 M4×8	3	
14	00006261	Bolt GB/T 5783 M5 × 35	2	
15	00000688	Nut GB/T 6170 M5	2	
16	92048979	Lock	2	

### 1-19 Chassis Manifold

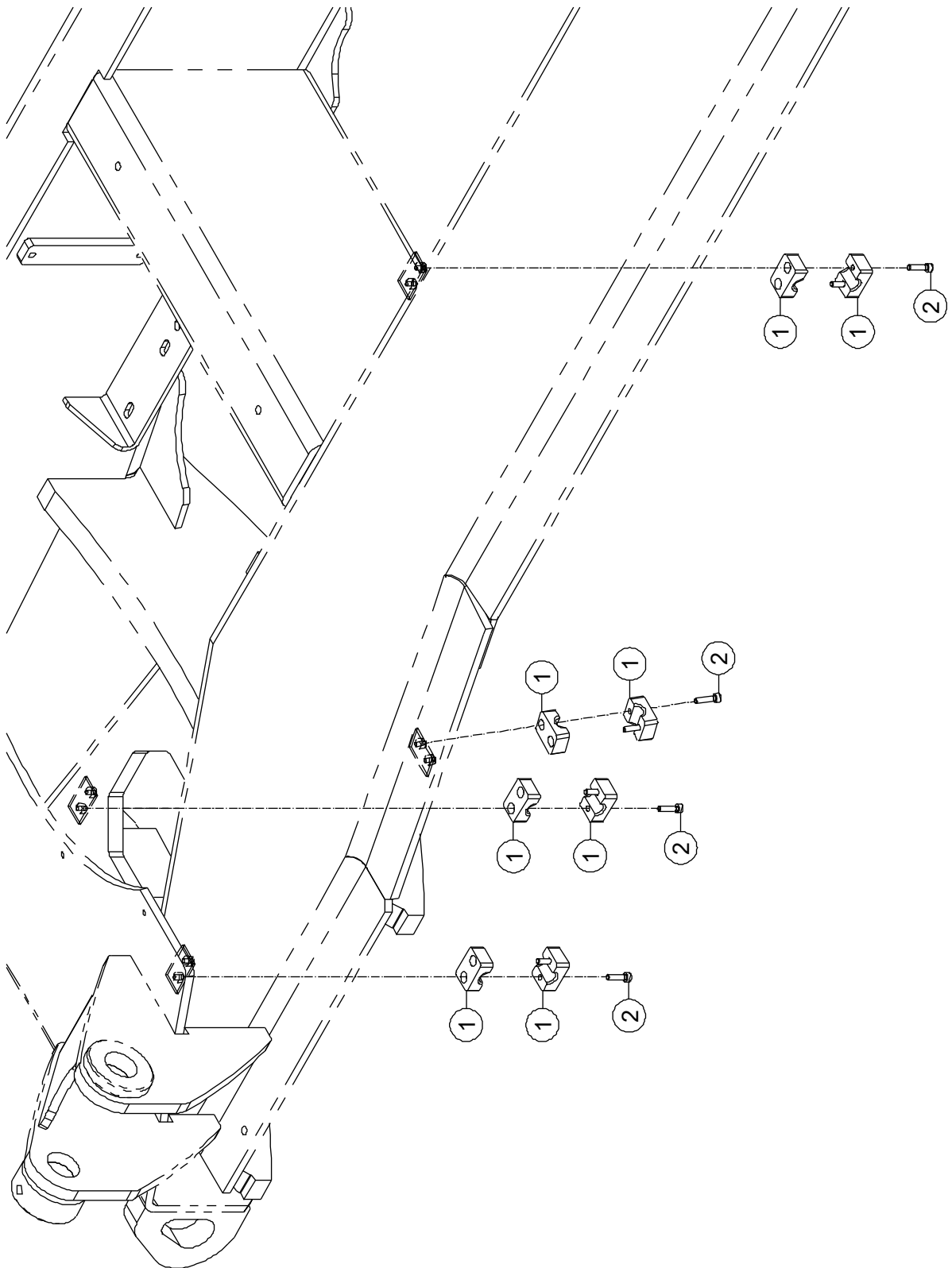


**1-19 Chassis Manifold**

Item	Part Number	Description	Qty.	Remark
1	00003353	Nut	2	
2	00003352	Nut	2	
3	00003320	Coil	2	
4	00003301	Cartridge, Solenoid Valve	2	
5	00003591	Cartridge, Relief Valve	1	
6	00003319	Coil	4	
7	00006950	Cartridge, Solenoid Valve	1	
8	00006948	Cartridge, Pressure Reducing Valve	1	
9	00006947	Cartridge, Flow Control Valve	1	
10	00004342	Plug	10	
11	00003291	Cartridge, Shuttle Valve	1	
12	00006941	Body	1	
13	00000293	Cartridge, Solenoid Valve	1	
14	00001111	Plug	1	



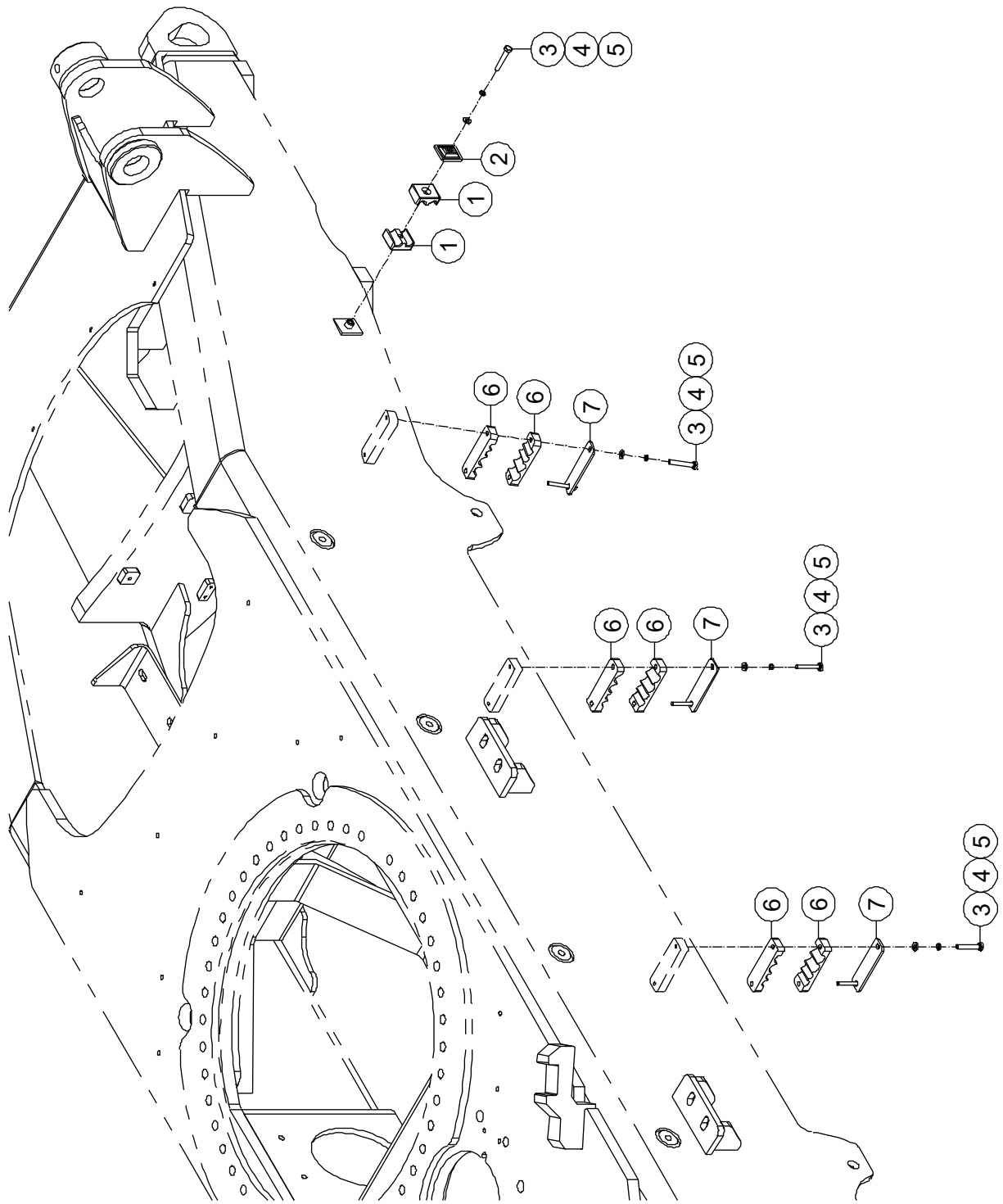
### 1-20 Chassis Clamp Installations 1



**1-20 Chassis Clamp Installations 1**

Item	Part Number	Description	Qty.	Remark
1	90001755	Clamp	8	
2	00001034	Screw GB/T 70 M6 × 25	8	

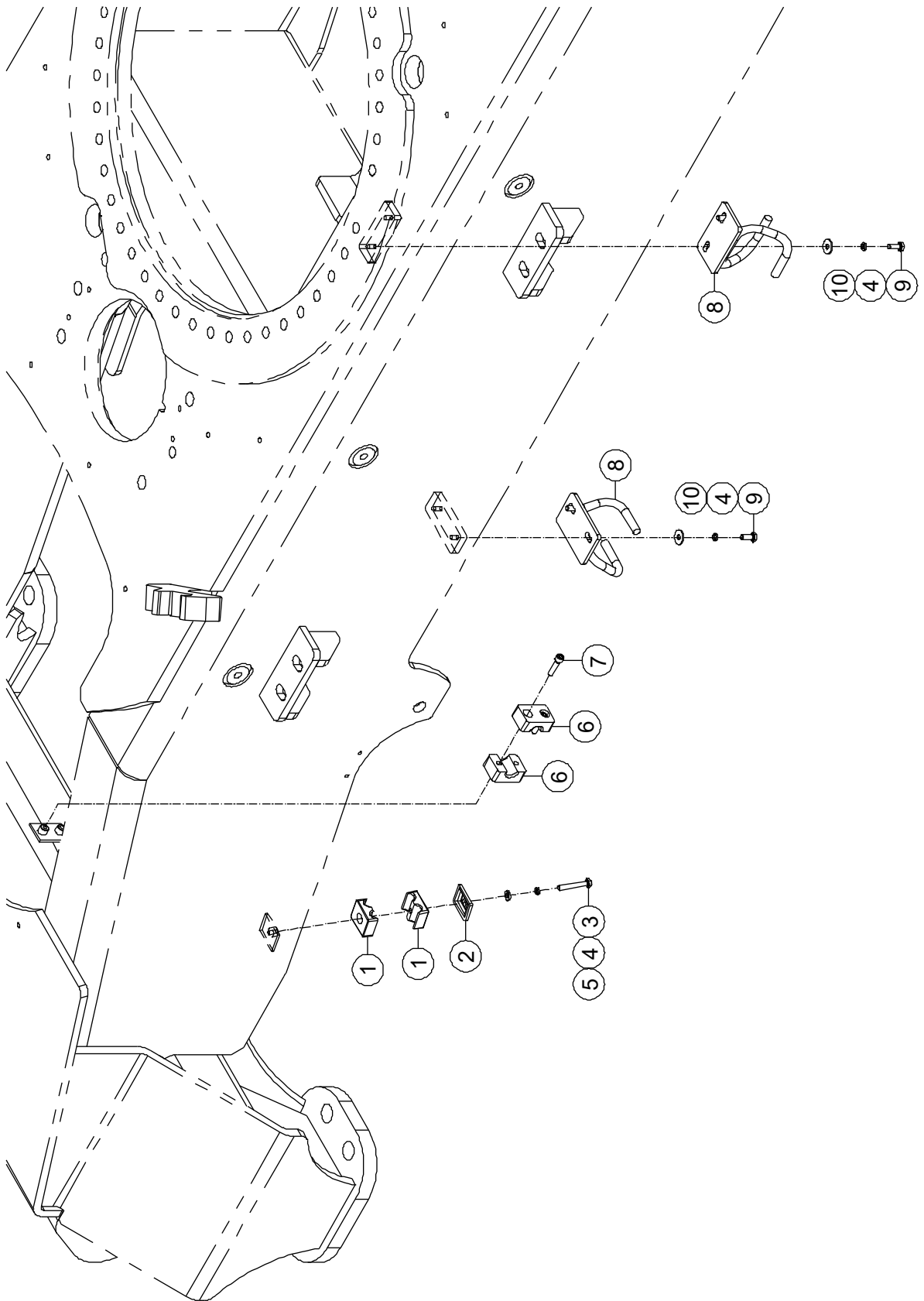
### 1-21 Chassis Clamp Installations 2



**1-21 Chassis Clamp Installations 2**

Item	Part Number	Description	Qty.	Remark
1	90003848	Clamp	2	
2	90004148	Plate	1	
3	00002559	Bolt GB/T 5783 M6 × 40	7	
4	00000621	Spring Washer GB/T 93 6	7	
5	00000620	Flat Washer GB/T 97.1 6	7	
6	92100813	Comb Tubes	6	
7	92049085	Plate	3	

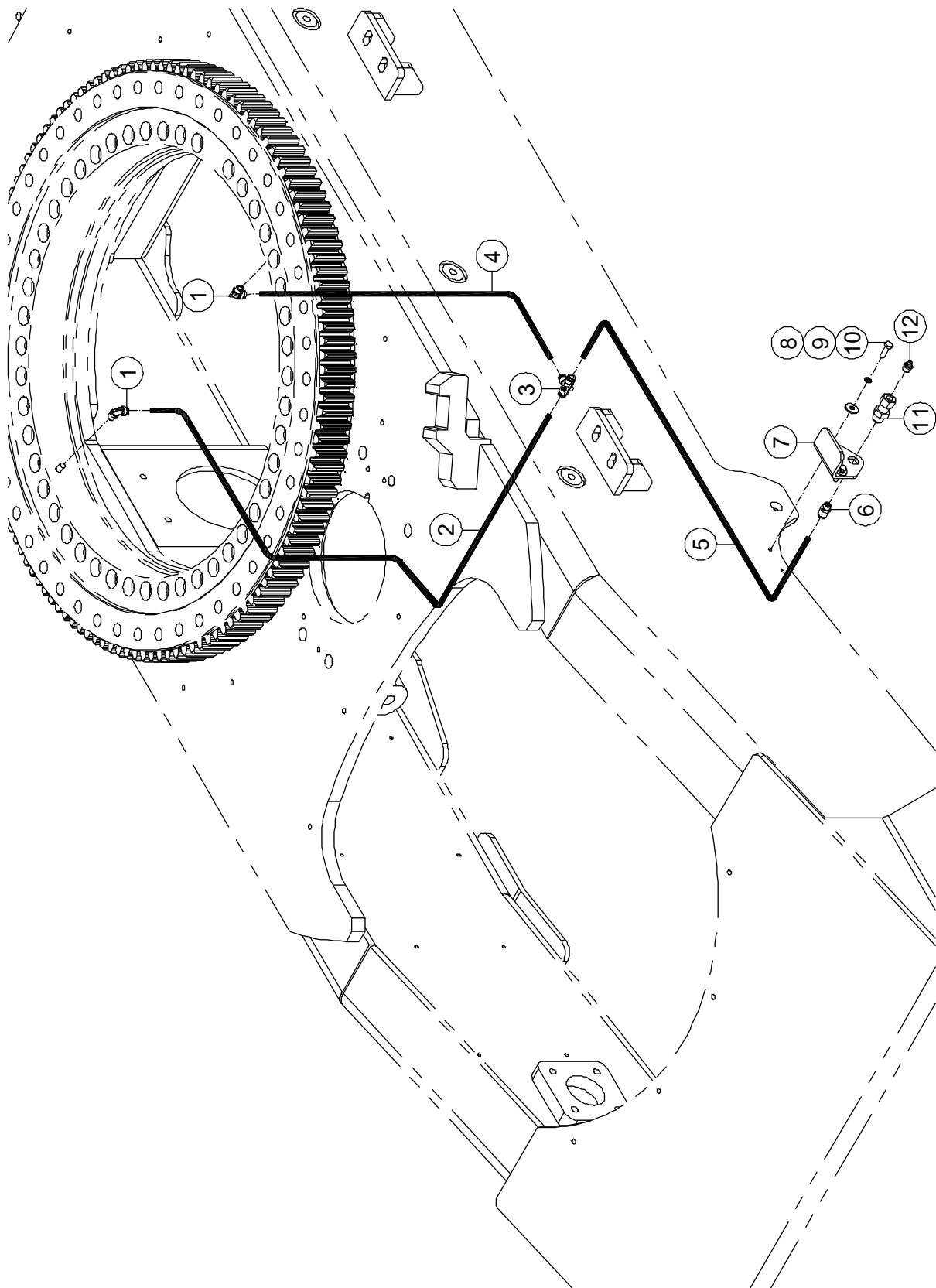
### 1-22 Chassis Clamp Installations 3



**1-22 Chassis Clamp Installations 3**

Item	Part Number	Description	Qty.	Remark
1	90003848	Clamp	2	
2	90004148	Plate	1	
3	00002559	Bolt GB/T 5783 M6 × 40	1	
4	00000621	Spring Washer GB/T 93 6	5	
5	00000620	Flat Washer GB/T 97.1 6	1	
6	90001755	Clamp	2	
7	00001034	Screw GB/T 70 M6 × 25	2	
8	92049063	Support Tubes	2	
9	00000818	Bolt GB/T 5783 M6 × 16	4	
10	00002583	Flat Washer GB/T 96.1 6	4	

### 1-23 Grease System Installations



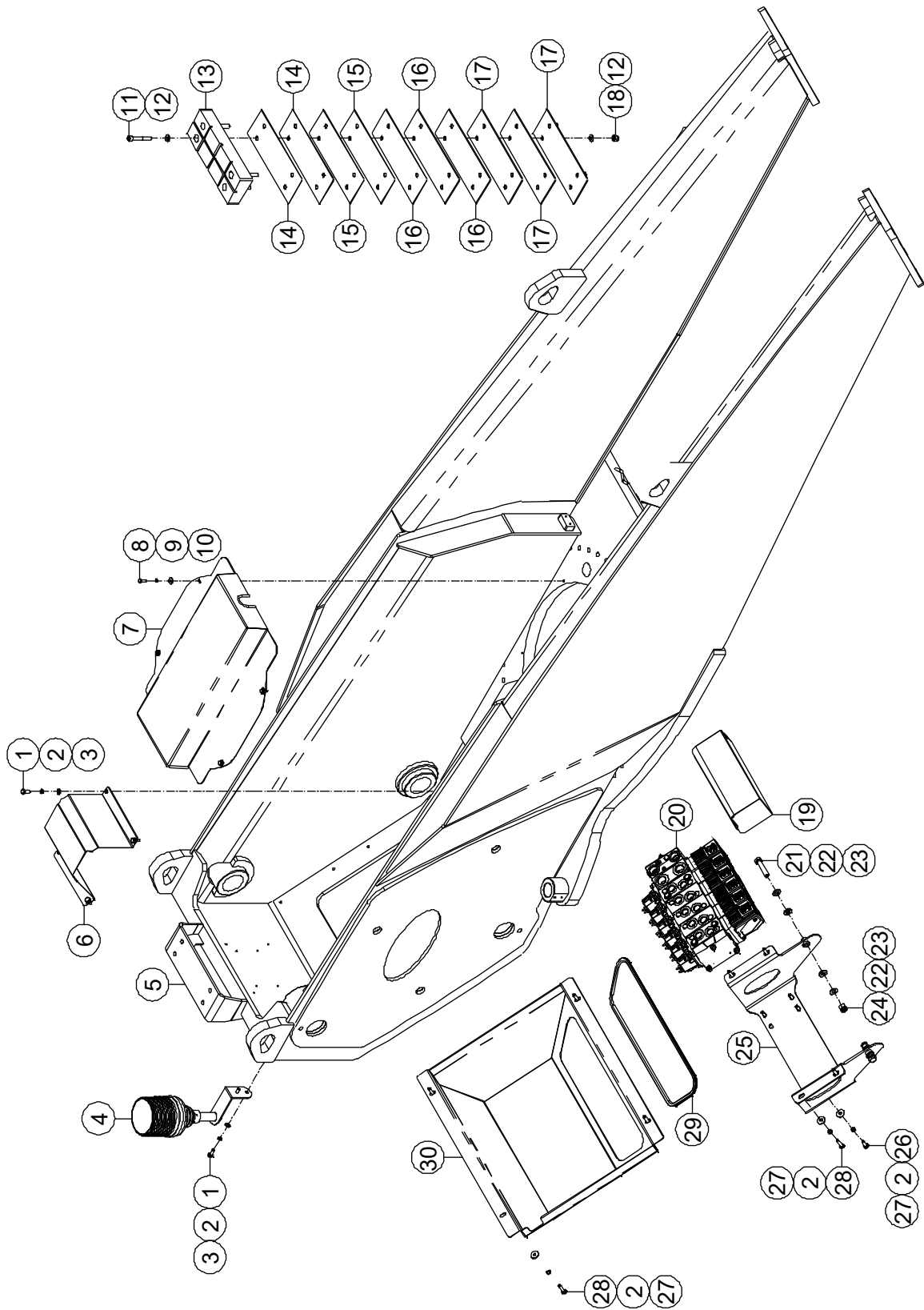
**1-23 Grease System Installations**

Item	Part Number	Description	Qty.	Remark
1	92102220	Fitting, 90°	2	
2	92102223	Hose	1	
3	92102221	Fitting, Tee	1	
4	92102222	Hose	1	
5	92102224	Hose	1	
6	93300963	Fitting	1	
7	92102219	Support	1	
8	00002583	Flat Washer GB/T 96.1 6	2	
9	00000621	Spring Washer GB/T 93 6	2	
10	00000743	Bolt GB/T 5783 M6 × 20	2	
11	93000115	Fitting	1	
12	93300962	Grease Nipple	1	



# Section 2 Turntable

### 2-1 Turntable Accessories Installations 1



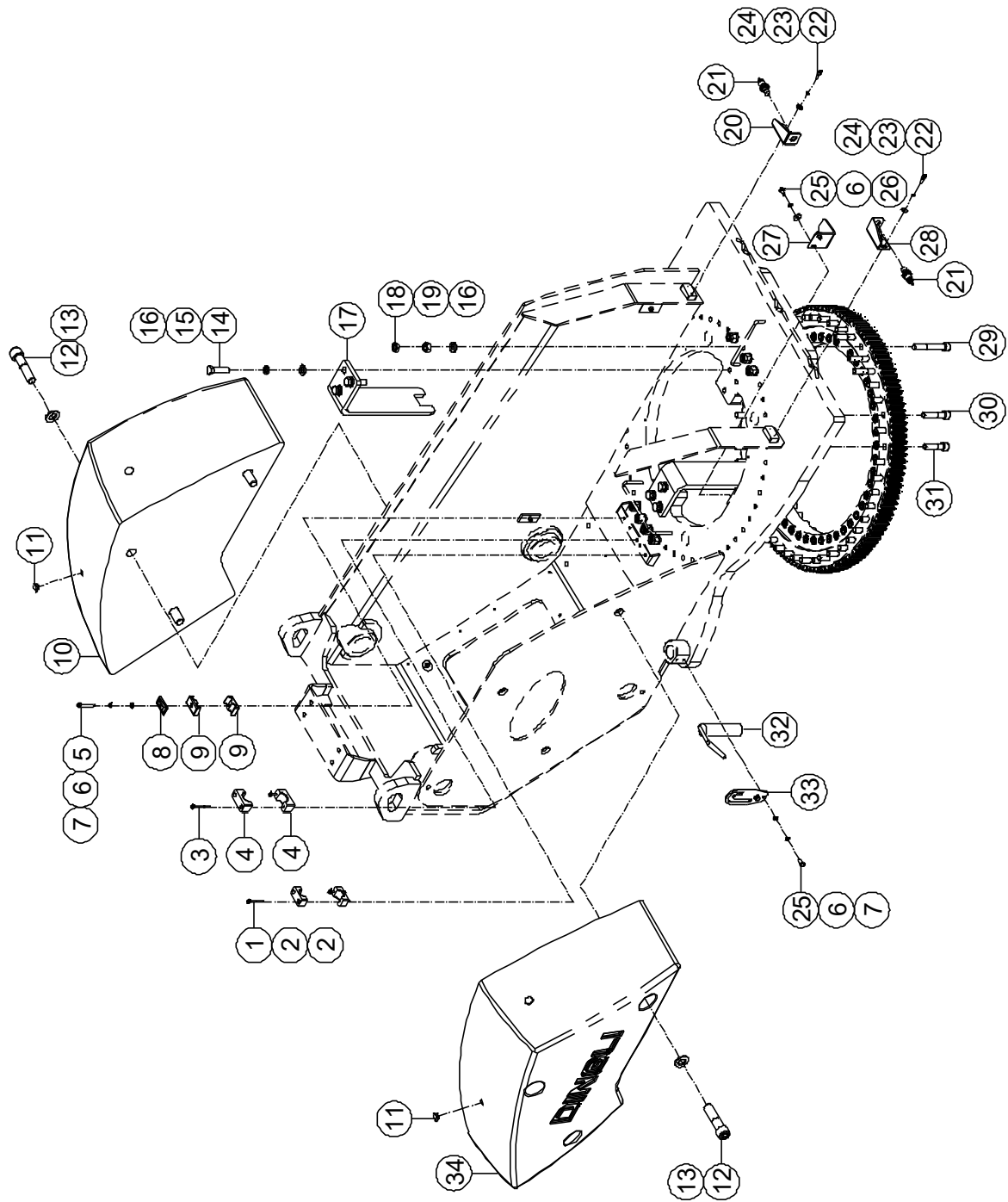
**2-1 Turntable Accessories Installations 1**

Item	Part Number	Description	Qty.	Remark
1	00000875	Bolt GB/T 5783 M8 × 20	6	
2	00000609	Spring Washer GB/T 93 8	20	
3	00000608	Flat Washer GB/T 97.1 8	6	
4	00003165	Beacon	1	
5	92100318	Turntable	1	
6	92048931	Housing	1	
7	92000206	Housing	1	
8	00000818	Bolt GB/T 5783 M6 × 16	4	
9	00000621	Spring Washer GB/T 93 6	4	
10	00002583	Flat Washer GB/T 96.1 6	4	
11	00002556	Screw GB/T 70 M10 × 70	4	
12	00000615	Flat Washer GB/T 97.1 10	8	
13	92100189	Boom Pad	1	
14	92100187	Shim	2	
15	92100185	Shim	2	
16	92100186	Shim	3	
17	92100188	Shim	3	
18	00000623	Nut GB/T 6182 M10	4	
19	92100979	Housing ( <i>Used for 92047081 PVG</i> )	1	
20	00008096	PVG Valve Block ( <i>Refer to 2-3</i> )	1	Standard
	92047081	PVG Valve Block ( <i>Refer to 2-4</i> )	1	Optional
21	00002453	Bolt GB/T 5783 M12 × 60	2	
22	00000814	Flat Washer GB/T 97.1 12	4	
23	92049008	Spacer	4	
24	00001249	Nut GB/T 6182 M12	2	
25	92048998	Support	1	
26	00000993	Bolt GB/T 5783 M8 × 25	6	
27	00002000	Flat Washer GB/T 96.1 8	14	
28	00002488	Bolt GB/T 5783 M8 × 35	8	

**2-1 Turntable Accessories Installations 1 (Continued)**

<b>Item</b>	<b>Part Number</b>	<b>Description</b>	<b>Qty.</b>	<b>Remark</b>
29	92048909	Seal	1	
30	92048881	Housing	1	

2-2 Turntable Accessories Installations 2



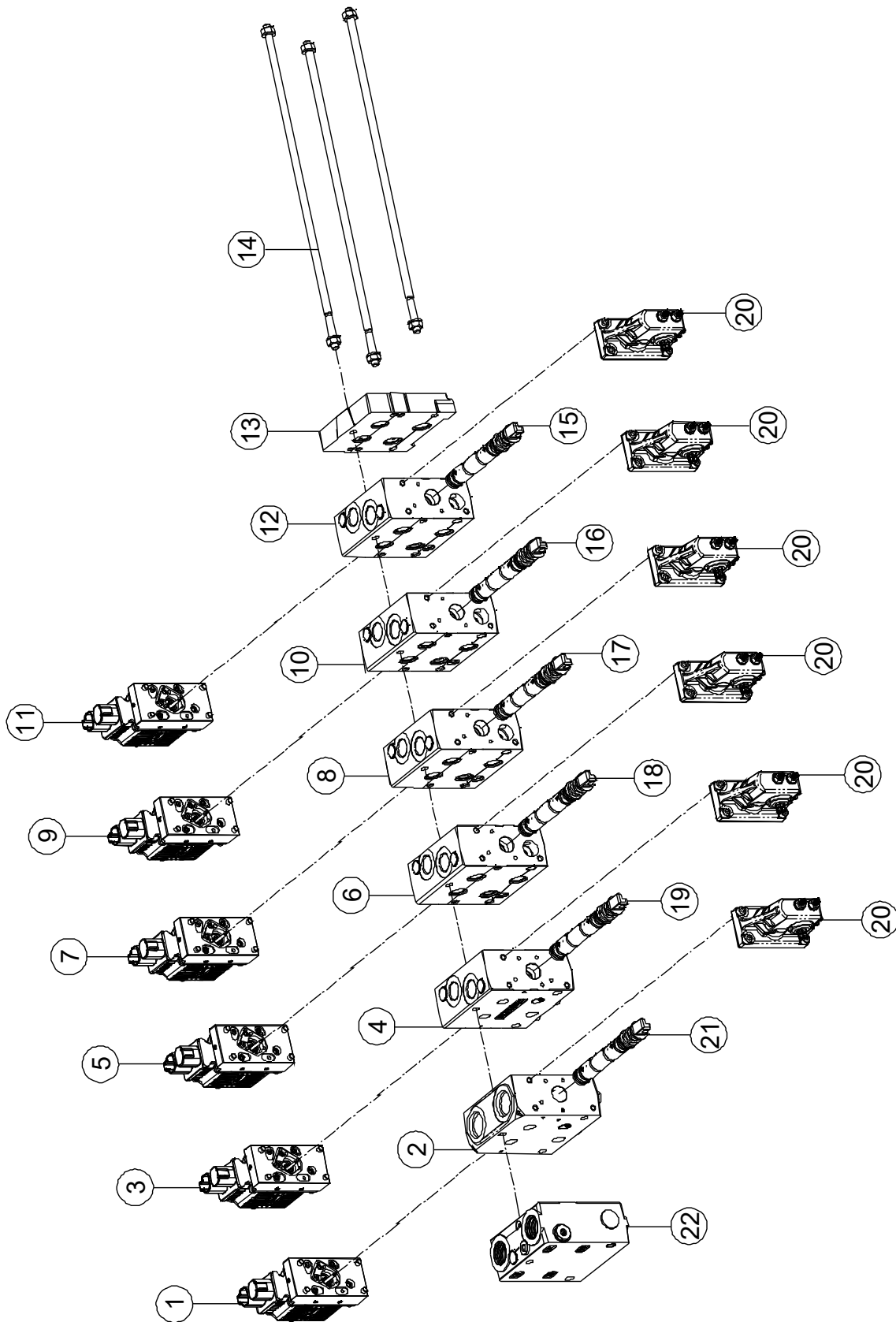
## 2-2 Turntable Accessories Installations 2

Item	Part Number	Description	Qty.	Remark
1	00005201	Screw GB/T 70 M6 × 50	2	
2	90003865	Clamp	2	
3	00006392	Screw GB/T 70 M6 × 60	2	
4	90023286	Clamp	2	
5	00003607	Bolt GB/T 5783 M8 × 50	1	
6	00000609	Spring Washer GB/T 93 8	5	
7	00000608	Flat Washer GB/T 97.1 8	3	
8	90001243	Plate	1	
9	90001242	Clamp	2	
10	92056569	Turntable Counterweight	1	BT30HRT BT30SHRT BT28HRT BT28SHRT BT28BHRT
	92049367	Turntable Counterweight	1	BT26SHRT
	92100226	Turntable Counterweight	1	BT26HRT BT26BHRT
	92100878	Plug	3	BT24HRT BT24BHRT
11	92100376	Plug	4	BT30HRT BT28HRT BT26HRT
12	00003055	Screw GB/T 70 M24 × 100	6	BT30SHRT BT28SHRT BT26SHRT
13	00001159	Flat Washer GB/T 97.1 24	6	BT28BHRT BT26BHRT
14	00001049	Bolt GB/T 5783 M16 × 60	6	
15	00001035	Spring Washer GB/T 93 16	6	
16	00000997	Flat Washer GB/T 97.1 16	14	
17	92100816	Stirrup	2	
18	00002611	Nut GB/T 6172.1 M16	8	
19	00002510	Nut GB/T 6170 M16	8	
20	92048990	Support	1	
21	00006642	Proximity Switch	2	

**2-2 Turntable Accessories Installations 2 (Continued)**

Item	Part Number	Description	Qty.	Remark
22	00000774	Screw GB/T 70 M6 × 20	4	
23	00000621	Spring Washer GB/T 93 6	4	
24	00002583	Flat Washer GB/T 96.1 6	4	
25	00001063	Bolt GB/T 5783 M8 × 16	4	
26	00002000	Flat Washer GB/T 96.1 8	2	
27	92048945	Support	1	
28	92048978	Support	1	
29	00006416	Screw GB/T 70 M16 × 110	8	
30	00006417	Screw GB/T 70 M16 × 75	24	
31	00006808	Screw GB/T 70 M16 × 65	16	
32	92029901	Pin	1	
33	92029902	Block	1	
34	92056568	Turntable Counterweight	1	BT30HRT BT30SHRT BT28HRT BT28SHRT BT28BHRT
	92049369	Turntable Counterweight	1	BT26SHRT
	92100225	Turntable Counterweight	1	BT26HRT BT26BHRT
	92100878	Plug	3	BT24HRT BT24BHRT

### 2-3 PVG Valve Block (Standard)





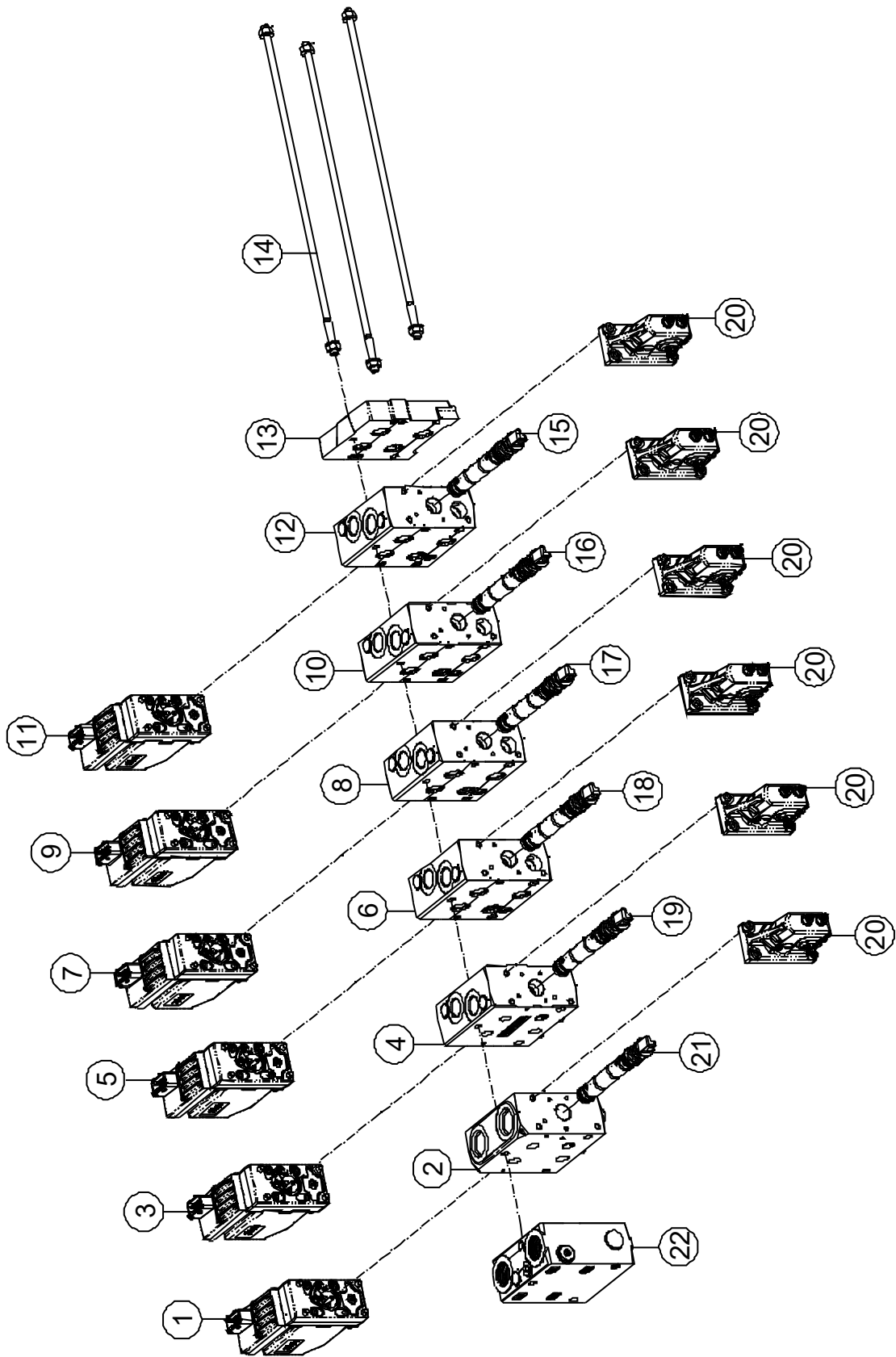
**2-3 PVG Valve Block (Standard)**

Item	Part Number	Name	Qty	Note
1	00011011	PVED, Electric Control Unit	1	
--	00011035	Seal Kit	1	
2	00010973	PVSKM, Enable Unit	1	
--	00011033	Seal Kit	1	
3	00011010	PVED, Electric Control Unit	1	
--	00011035	Seal Kit	1	
4	00010986	PVB, Work Unit	1	
--	00011033	Seal Kit	1	
5	00011009	PVED, Electric Control Unit	1	
--	00011035	Seal Kit	1	
6	00010985	PVB, Work Unit	1	
--	00011033	Seal Kit	1	
7	00011008	PVED, Electric Control Unit	1	
--	00011035	Seal Kit	1	
8	00010984	PVB, Work Unit	1	
--	00011033	Seal Kit	1	
9	00011007	PVED, Electric Control Unit	1	
--	00011035	Seal Kit	1	
10	00010983	PVB, Work Unit	1	
--	00011033	Seal Kit	1	
11	00011006	PVED, Electric Control Unit	1	
--	00011035	Seal Kit	1	
12	00010982	PVB, Work Unit	1	
--	00011033	Seal Kit	1	
13	00011023	PVSI, Cover	1	
14	00011030	PVAS, Bolt	1	
15	00011018	PVBS, Directional Cartridge	1	
16	00011019	PVBS, Directional Cartridge	1	
17	00011020	PVBS, Directional Cartridge	1	

**2-3 PVG Valve Block (Standard) (Continued)**

Item	Part Number	Name	Qty	Note
18	00011016	PVBS, Directional Cartridge	1	
19	00011017	PVBS, Directional Cartridge	1	
20	00011012	PVM, Manual Unit	6	
--	00011036	Seal Kit	6	
21	00011013	PVSKS, Cartridge, Enable	1	
22	00010972	PVP, Inlet Unit	1	
--	00011034	Seal Kit	1	

### 2-4 PVG Valve Block (Optional)



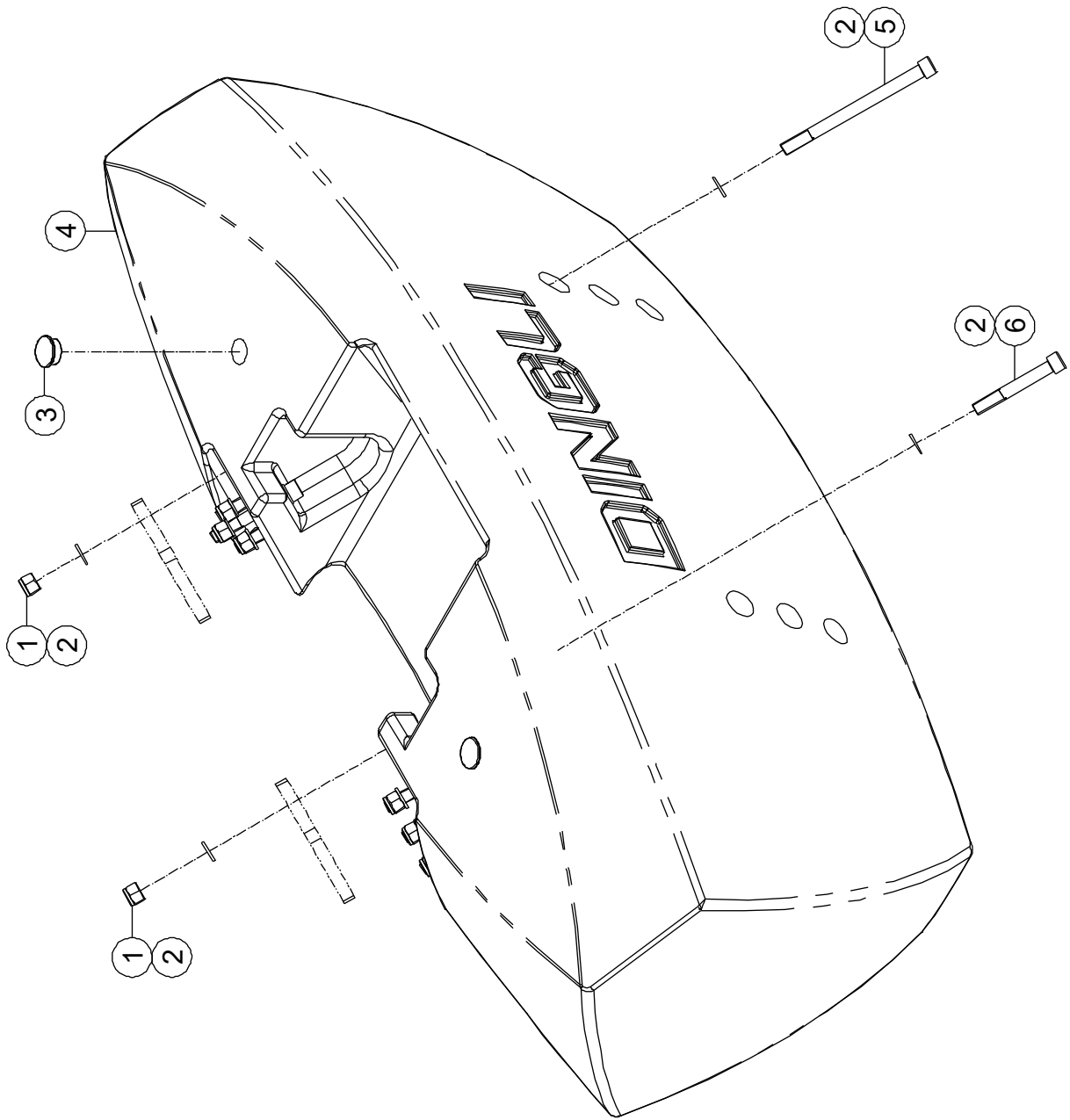
**2-4 PVG Valve Block (Optional)**

Item	Part Number	Name	Qty	Note
1	00010988	PVED, Electric Control Unit	1	
--	00011035	Seal Kit	1	
2	00010973	PVSKM, Enable Unit	1	
--	00011033	Seal Kit	1	
3	00010989	PVED, Electric Control Unit	1	
--	00011035	Seal Kit	1	
4	00010986	PVB, Work Unit	1	
--	00011033	Seal Kit	1	
5	00010990	PVED, Electric Control Unit	1	
--	00011035	Seal Kit	1	
6	00010985	PVB, Work Unit	1	
--	00011033	Seal Kit	1	
7	00010991	PVED, Electric Control Unit	1	
--	00011035	Seal Kit	1	
8	00010984	PVB, Work Unit	1	
--	00011033	Seal Kit	1	
9	00010992	PVED, Electric Control Unit	1	
--	00011035	Seal Kit	1	
10	00010983	PVB, Work Unit	1	
--	00011033	Seal Kit	1	
11	00010993	PVED, Electric Control Unit	1	
--	00011035	Seal Kit	1	
12	00010982	PVB, Work Unit	1	
--	00011033	Seal Kit	1	
13	00011023	PVSI, Cover	1	
14	00011030	PVAS, Bolt	1	
15	00011018	PVBS, Directional Cartridge	1	
16	00011019	PVBS, Directional Cartridge	1	
17	00011020	PVBS, Directional Cartridge	1	

**2-4 PVG Valve Block (Optional) (Continued)**

Item	Part Number	Name	Qty	Note
18	00011016	PVBS, Directional Cartridge	1	
19	00011017	PVBS, Directional Cartridge	1	
20	00011012	PVM, Manual Unit	6	
--	00011036	Seal Kit	6	
21	00011013	PVSKS, Cartridge, Enable	1	
--	00011033	Seal Kit	1	
22	00010972	PVP, Inlet Unit	1	
--	00011034	Seal Kit	1	

### 2-5 Counterweight Installations



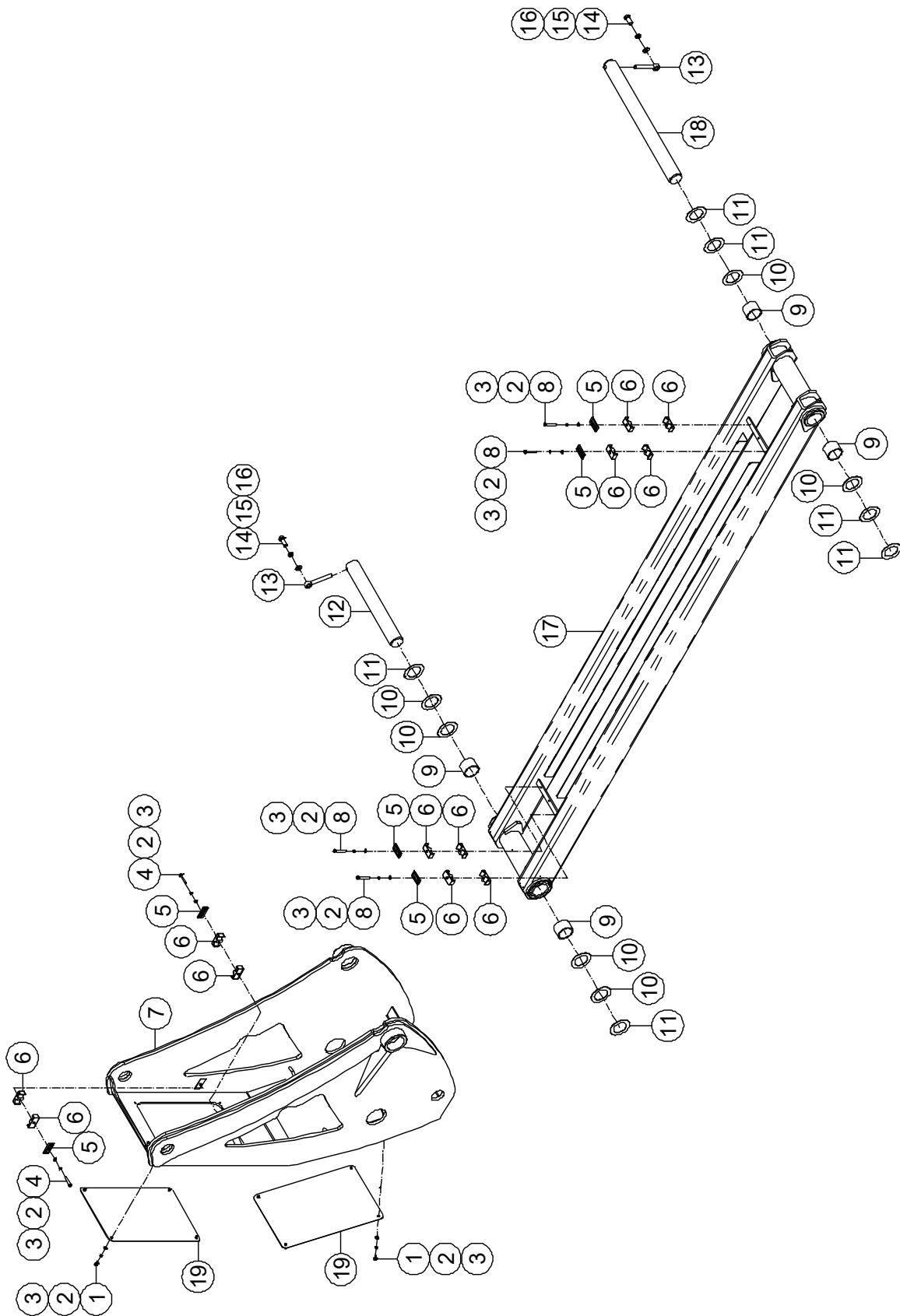
**2-5 Counterweight Installations**

Item	Part Number	Description	Qty.	Remark
1	00005262	Nut GB/T 6182 M24	8	
2	00001159	Flat Washer GB/T 97.1 24	16	
3	92000104	Plug	2	
4	92049372	Counterweight	1	BT30HRT BT30SHRT
	92056803	Counterweight	1	BT28HRT BT28SHRT BT28BHRT
	92056810	Counterweight		BT26SHRT
	92053029	Counterweight		BT26HRT BT26BHRT
	92056824	Counterweight	1	BT24HRT BT24BHRT
5	00006428	Screw GB/T 70 M24 × 310	6	
6	00006433	Screw GB/T 70 M24 × 170	2	

# Section 3 Boom



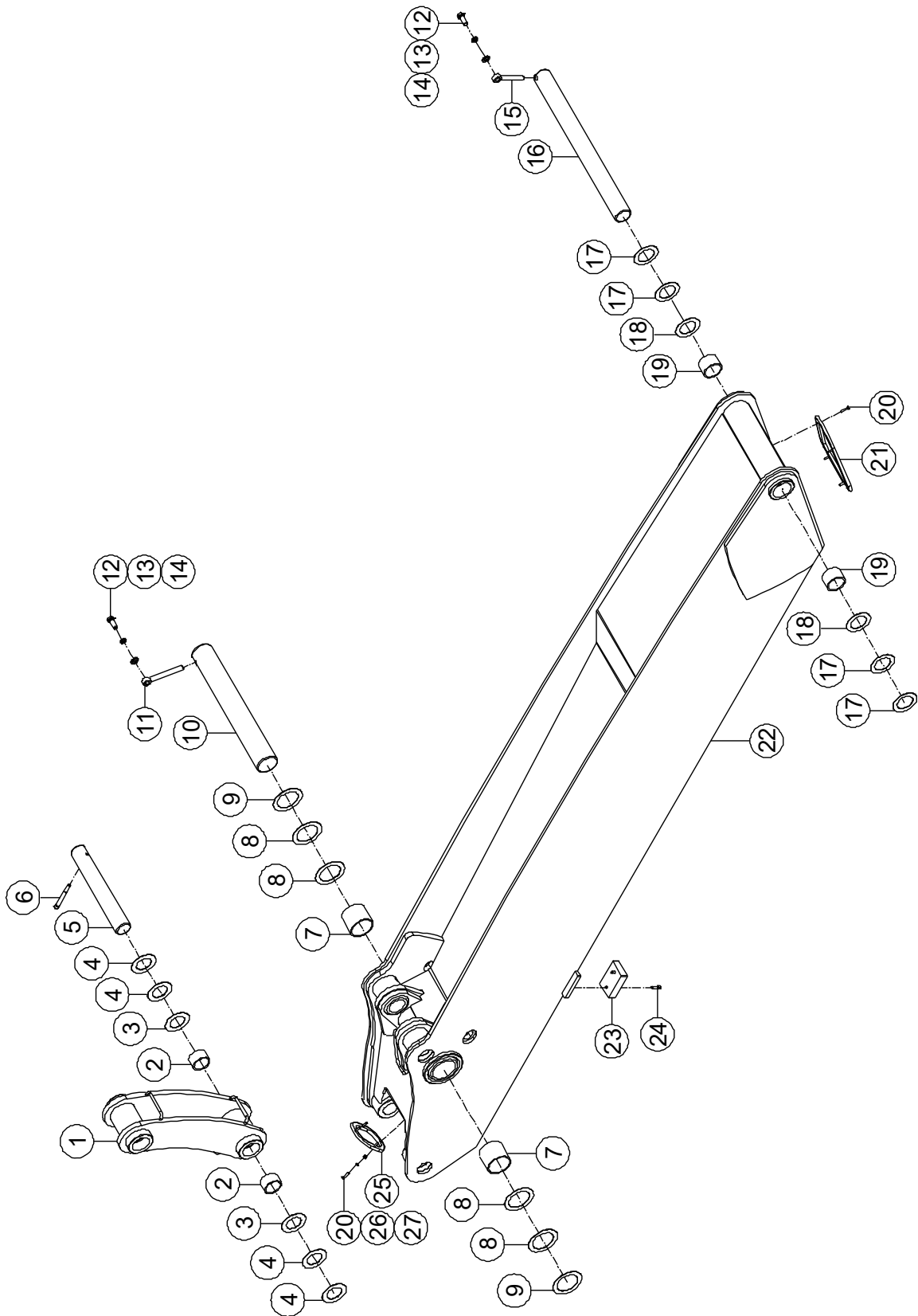
### 3-1 Linkage Installations 1



**3-1 Linkage Installations 1**

Item	Part Number	Description	Qty.	Remark
1	00001063	Bolt GB/T 5783 M8 × 16	8	
2	00000609	Spring Washer GB/T 93 8	14	
3	00000608	Flat Washer GB/T 97.1 8	14	
4	00003607	Bolt GB/T 5783 M8 × 50	2	
5	92013750	Plate	6	
6	92007163	Clamp	12	
7	92048590	Linkage	1	
8	00001851	Bolt GB/T 5783 M8 × 60	4	
9	92048652	8813-657550 Sleeve Bearing	4	
10	92048684	Shim	6	
11	92048687	Shim	6	
12	92048701	Pin, Pivot	1	
13	00000223	8902-16120 Pin, Lock	2	
14	00001161	Bolt GB/T 5783 M16 × 40	2	
15	00001035	Spring Washer GB/T 93 16	2	
16	00000997	Flat Washer GB/T 97.1 16	2	
17	92048543	Linkage	1	
18	92048743	Pin, Pivot	1	
19	92048695	Cover	2	

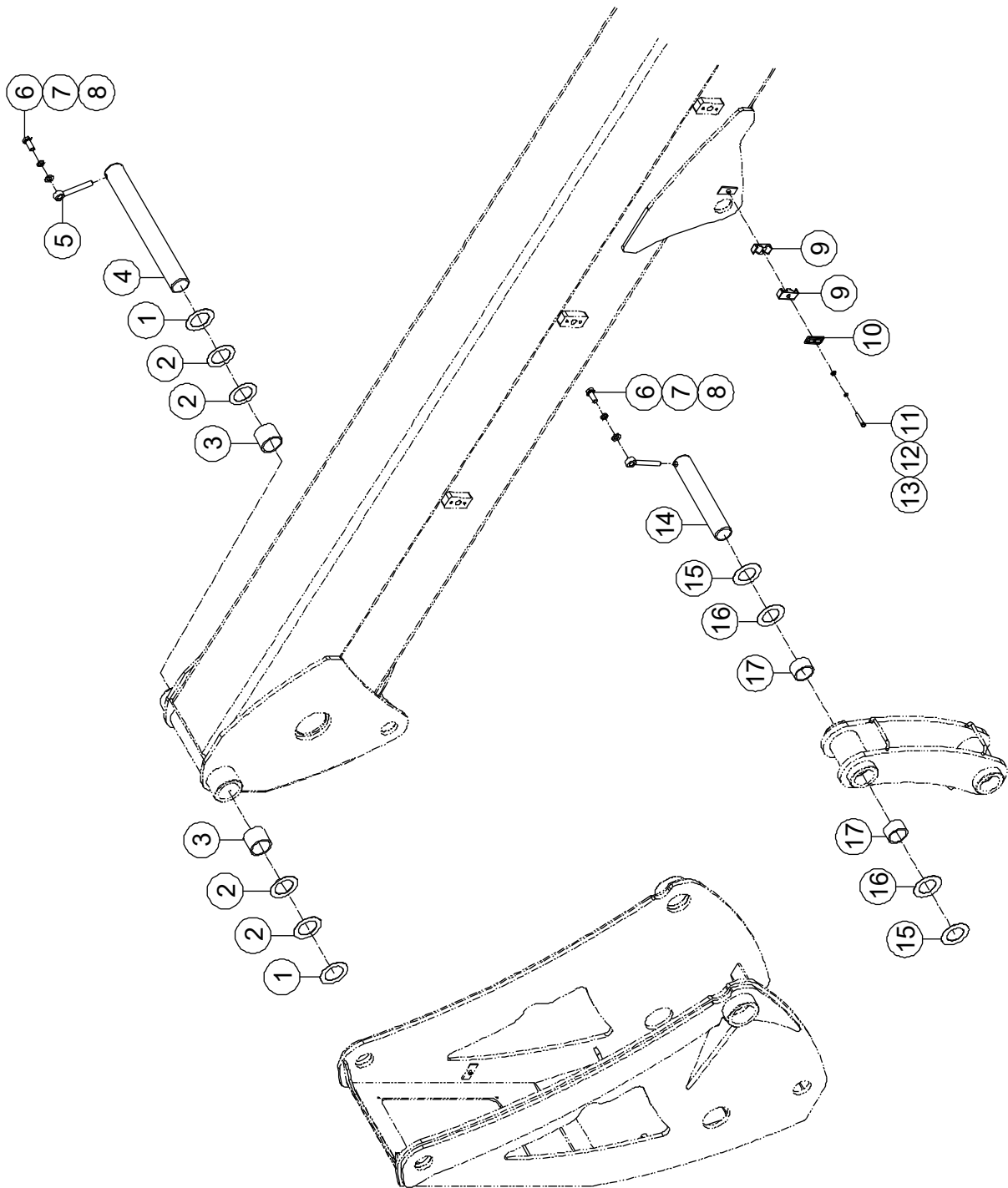
### 3-2 Linkage Installations 2



**3-2 Linkage Installations 2**

Item	Part Number	Description	Qty.	Remark
1	92048611	Linkage	1	
2	00000430	8813-607040 Sleeve Bearing	2	
3	92029912	Shim	2	
4	92029913	Shim	4	
5	92048740	Pin, Pivot	1	
6	00003051	Screw GB/T 70 M12 × 110	1	
7	92048780	8813-859580 Sleeve Bearing	2	
8	92048731	Shim	4	
9	92048733	Shim	2	
10	92048730	Pin, Pivot	1	
11	00000224	8902-16150 Pin, Lock	1	
12	00001161	Bolt GB/T 5783 M16 × 40	2	
13	00001035	Spring Washer GB/T 93 16	2	
14	00000997	Flat Washer GB/T 97.1 16	2	
15	00000223	8902-16120 Pin, Lock	1	
16	92048743	Pin, Pivot	1	
17	92048687	Shim	4	
18	92048684	Shim	2	
19	92048652	8813-657550 Sleeve Bearing	2	
20	00000833	Screw GB/T 70.3 M6×30	8	
21	92000201	Line Guard	1	
22	92048519	Linkage	1	
23	92029938	Spacer	2	
24	00002560	Screw GB/T 70 M8 × 30	4	
25	92000202	Line Guard	1	
26	00000620	Flat Washer GB/T 97.1 6	4	
27	00001033	Nut GB/T 6182 M6	4	

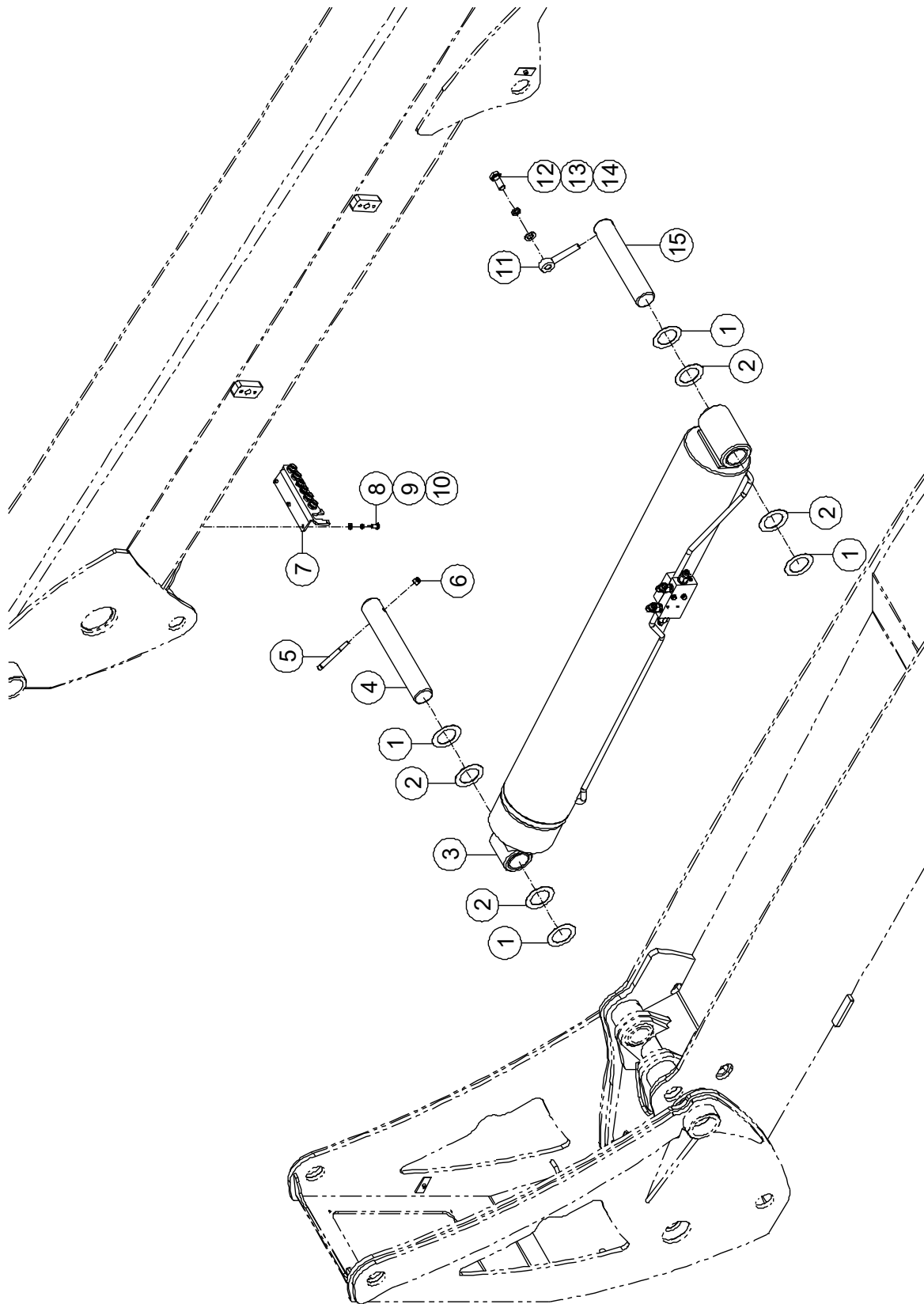
### 3-3 Linkage and Boom Installations



**3-3 Linkage and Boom Installations**

Item	Part Number	Description	Qty.	Remark
1	92048687	Shim	2	
2	92048684	Shim	4	
3	92048436	8813-657560 Sleeve Bearing	2	
4	92048690	Pin, Pivot	1	
5	00000223	8902-16120 Pin, Lock	2	
6	00001161	Bolt GB/T 5783 M16 × 40	2	
7	00001035	Spring Washer GB/T 93 16	2	
8	00000997	Flat Washer GB/T 97.1 16	2	
9	92007163	Clamp	2	
10	92013750	Plate	1	
11	00003607	Bolt GB/T 5783 M8 × 50	1	
12	00000609	Spring Washer GB/T 93 8	1	
13	00000608	Flat Washer GB/T 97.1 8	1	
14	92048668	Pin, Pivot	1	
15	92029912	Shim	2	
16	92029913	Shim	2	
17	00000430	8813-607040 Sleeve Bearing	2	

### 3-4 Lifting Cylinder Assembly and Boom Installations

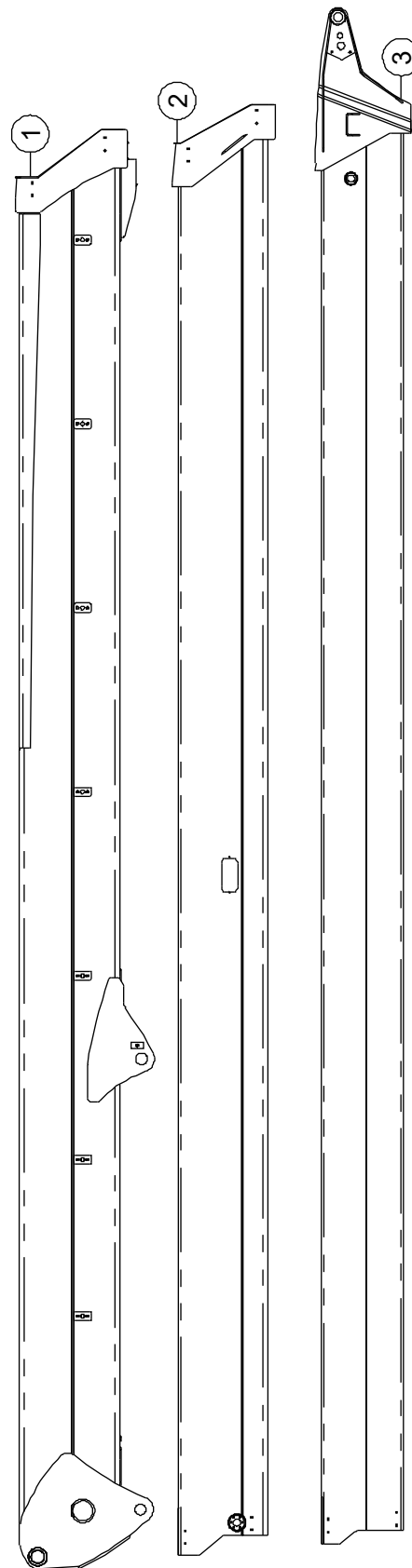


**3-4 Lifting Cylinder Assembly and Boom Installations**

Item	Part Number	Description	Qty.	Remark
1	92048687	Shim	4	
2	92048684	Shim	4	
3		Lifting Cylinder Assembly ( <i>Refer to 5-3</i> )	1	
4	92048727	Pin, Pivot	1	
5	00002548	Screw GB/T 70 M12 × 120	1	
6	00001249	Nut GB/T 6182 M12	1	
7	92000085	Support	1	
8	00000674	Bolt GB/T 5783 M10 × 20	3	
9	00000679	Spring Washer GB/T 93 10	3	
10	00000615	Flat Washer GB/T 97.1 10	3	
11	00006818	8902-20120 Pin, Lock	1	
12	00002224	Bolt GB/T 5783 M20 × 50	1	
13	00002219	Spring Washer GB/T 93 20	1	
14	00001050	Flat Washer GB/T 97.1 20	1	
15	92048683	Pin, Pivot	1	



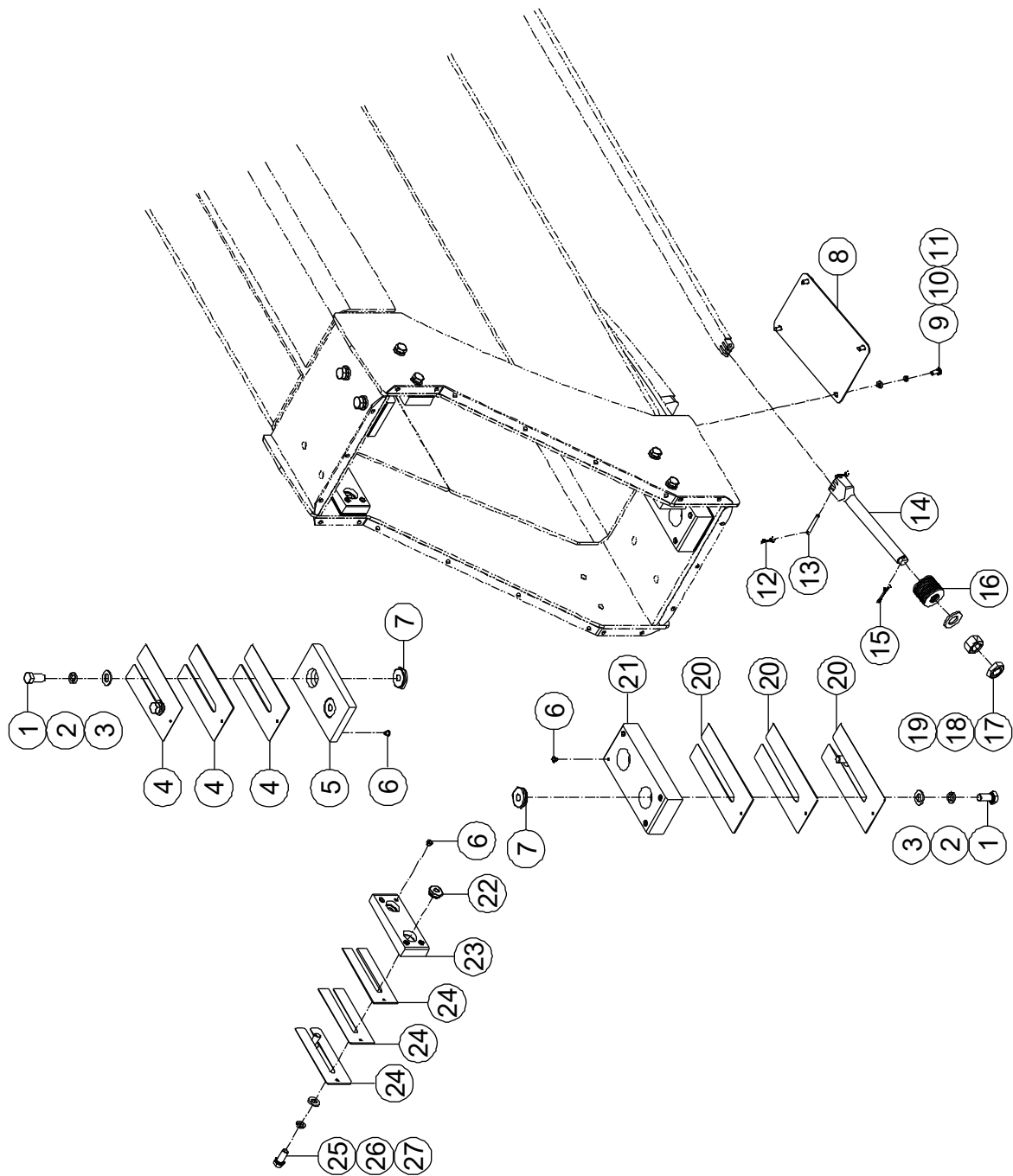
### 3-5 Telescopic Boom



**3-5 Telescopic Boom**

Item	Part Number	Description	Qty.	Remark
1	92101254	Base Boom	1	BT30HRT
	92048137	Base Boom	1	BT30SHRT BT28HRT BT28BHRT
	92100075	Base Boom	1	BT28SHRT BT26HRT BT26BHRT
	92049315	Base Boom	1	BT26SHRT BT24HRT BT24BHRT
2	92101260	Second Boom	1	BT30HRT
	92048206	Second Boom	1	BT30SHRT BT28HRT BT28BHRT
	92100079	Second Boom	1	BT28SHRT BT26HRT BT26BHRT
	92049326	Second Boom	1	BT26SHRT BT24HRT BT24BHRT
3	92101264	Third Boom	1	BT30HRT
	92048262	Third Boom	1	BT30SHRT BT28HRT
	92100083	Third Boom	1	BT28SHRT BT26HRT
	92049337	Third Boom	1	BT26SHRT BT24HRT
	92101611	Third Boom	1	BT28BHRT
	92101615	Third Boom	1	BT26BHRT
	92101619	Third Boom	1	BT24BHRT

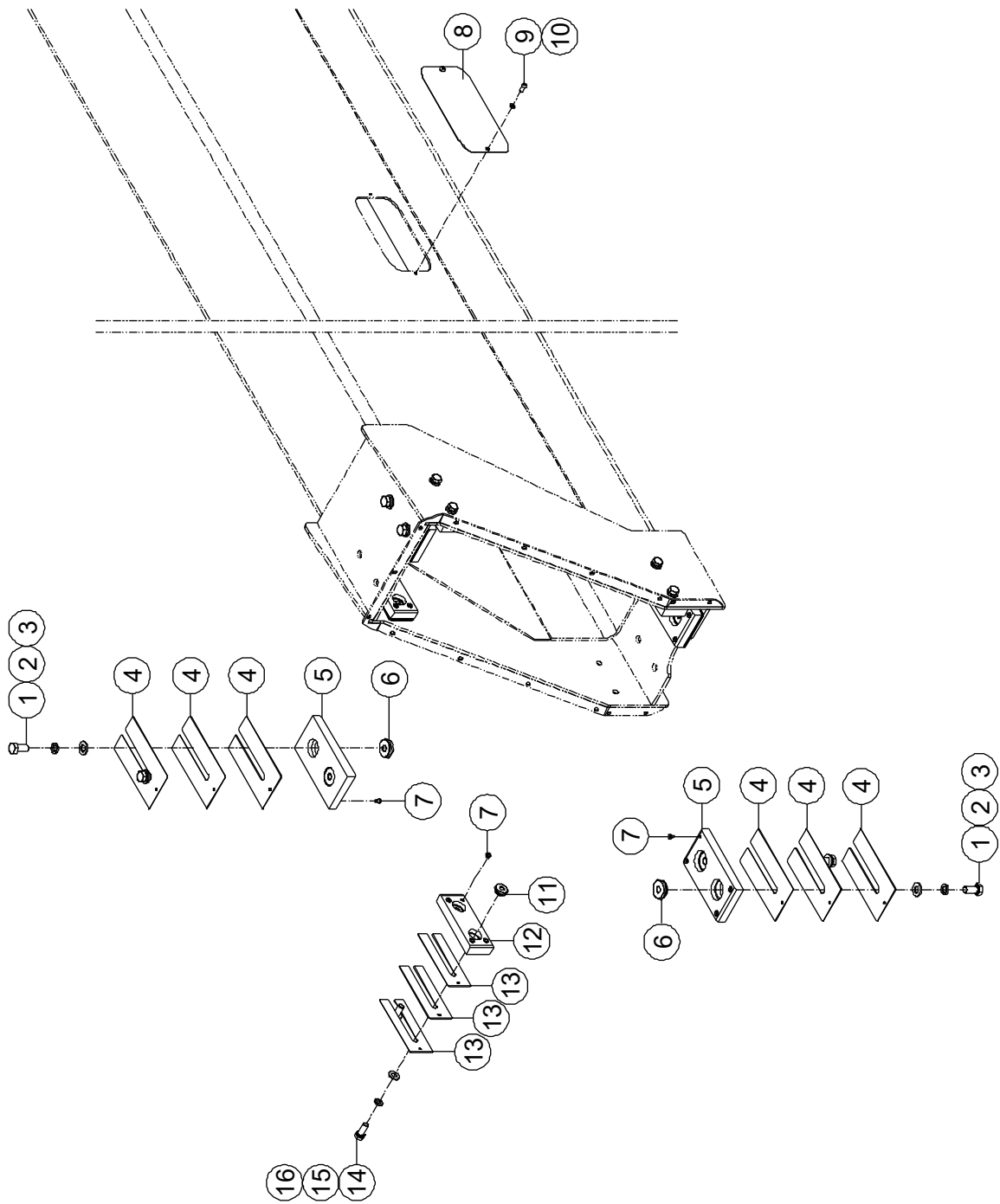
### 3-6 Base Boom Sliding Block Installations



**3-6 Base Boom Sliding Block Installations**

Item	Part Number	Description	Qty.	Remark
1	00006121	Bolt GB/T 5786 M12×1.25 × 25	8	
2	00000815	Spring Washer GB/T 93 12	8	
3	00000814	Flat Washer GB/T 97.1 12	8	
4	92000126	Shim	6	
5	92000125	Sliding Block	2	
6	92009458	Plug	32	
7	92000169	Insert	8	
8	92029665	Cover	1	
9	00000818	Bolt GB/T 5783 M6 × 16	4	
10	00000621	Spring Washer GB/T 93 6	4	
11	00000620	Flat Washer GB/T 97.1 6	4	
12	00005753	Cotter Pin GB/T 91 2,5 × 20	4	
13	92029601	Pin	2	
14	92048417	Pull Chain	2	
15	00002087	Cotter Pin GB/T 91 3.2 × 26	2	
16	92029605	Disc Spring	2	
17	00002588	Nut GB/T 6172.1 M18	2	
18	00002587	Nut GB/T 6170 M18	2	
19	00002589	Flat Washer GB/T 97.1 18	2	
20	92000111	Shim	6	
21	92000138	Sliding Block	2	
22	92000139	Insert	8	
23	92000141	Sliding Block	4	
24	92029615	Shim	12	
25	00000678	Bolt GB/T 5783 M10 × 25	8	
26	00000679	Spring Washer GB/T 93 10	8	
27	00000615	Flat Washer GB/T 97.1 10	8	

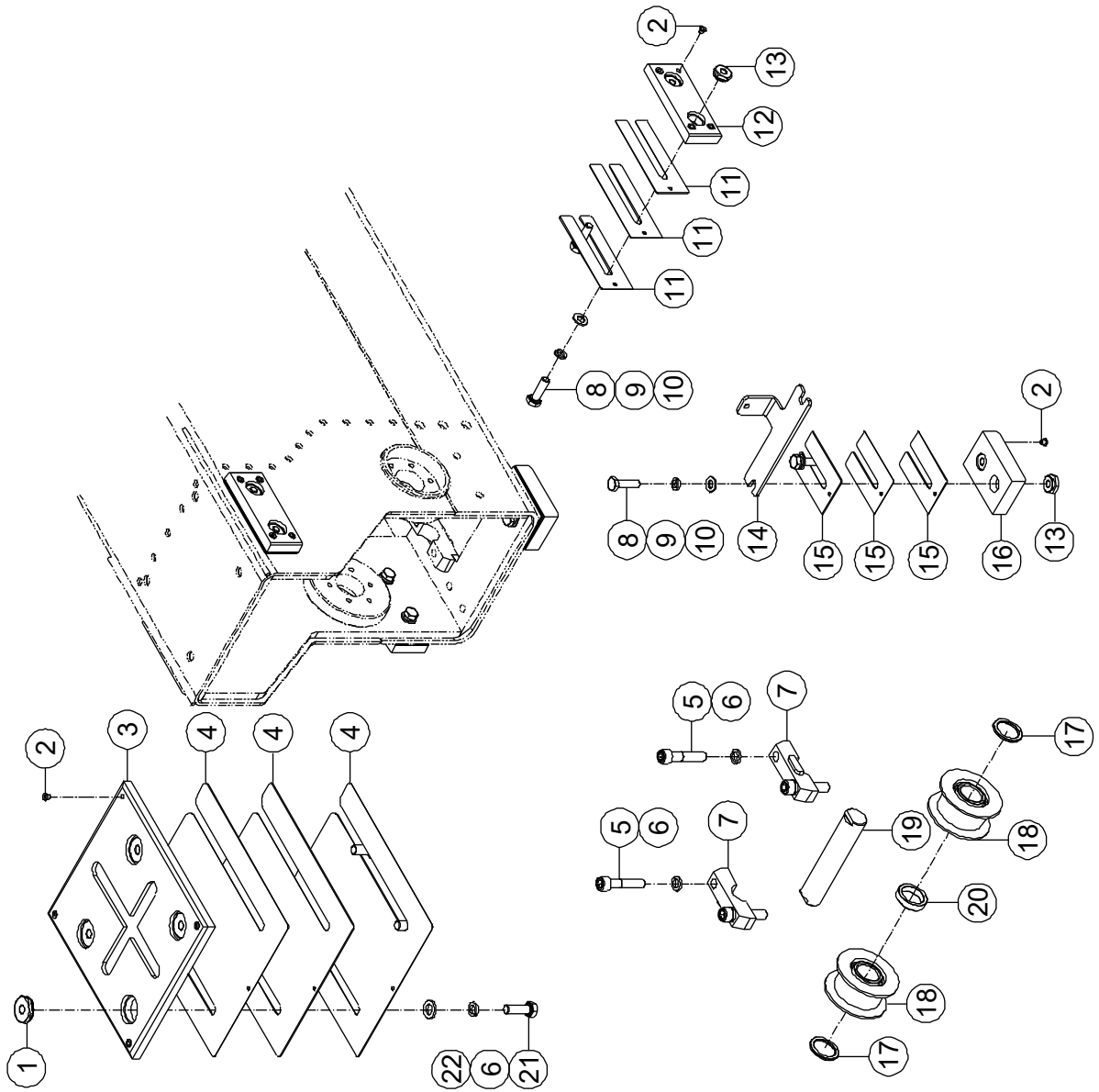
### 3-7 Second Boom Sliding Block Installations 1



**3-7 Second Boom Sliding Block Installations 1**

Item	Part Number	Description	Qty.	Remark
1	00006121	Bolt GB/T 5786 M12×1.25 × 25	8	
2	00000815	Spring Washer GB/T 93 12	8	
3	00000814	Flat Washer GB/T 97.1 12	8	
4	92000126	Shim	12	
5	92000125	Sliding Block	4	
6	92000169	Insert	8	
7	92009458	Plug	32	
8	92029667	Cover	1	
9	00001177	Screw GB/T 70.2 M6×12	2	
10	00000621	Spring Washer GB/T 93 6	2	
11	92000139	Insert	8	
12	92000141	Sliding Block	4	
13	92029615	Shim	12	
14	00000678	Bolt GB/T 5783 M10 × 25	8	
15	00000679	Spring Washer GB/T 93 10	8	
16	00000615	Flat Washer GB/T 97.1 10	8	

### 3-8 Second Boom Sliding Block Installations 2

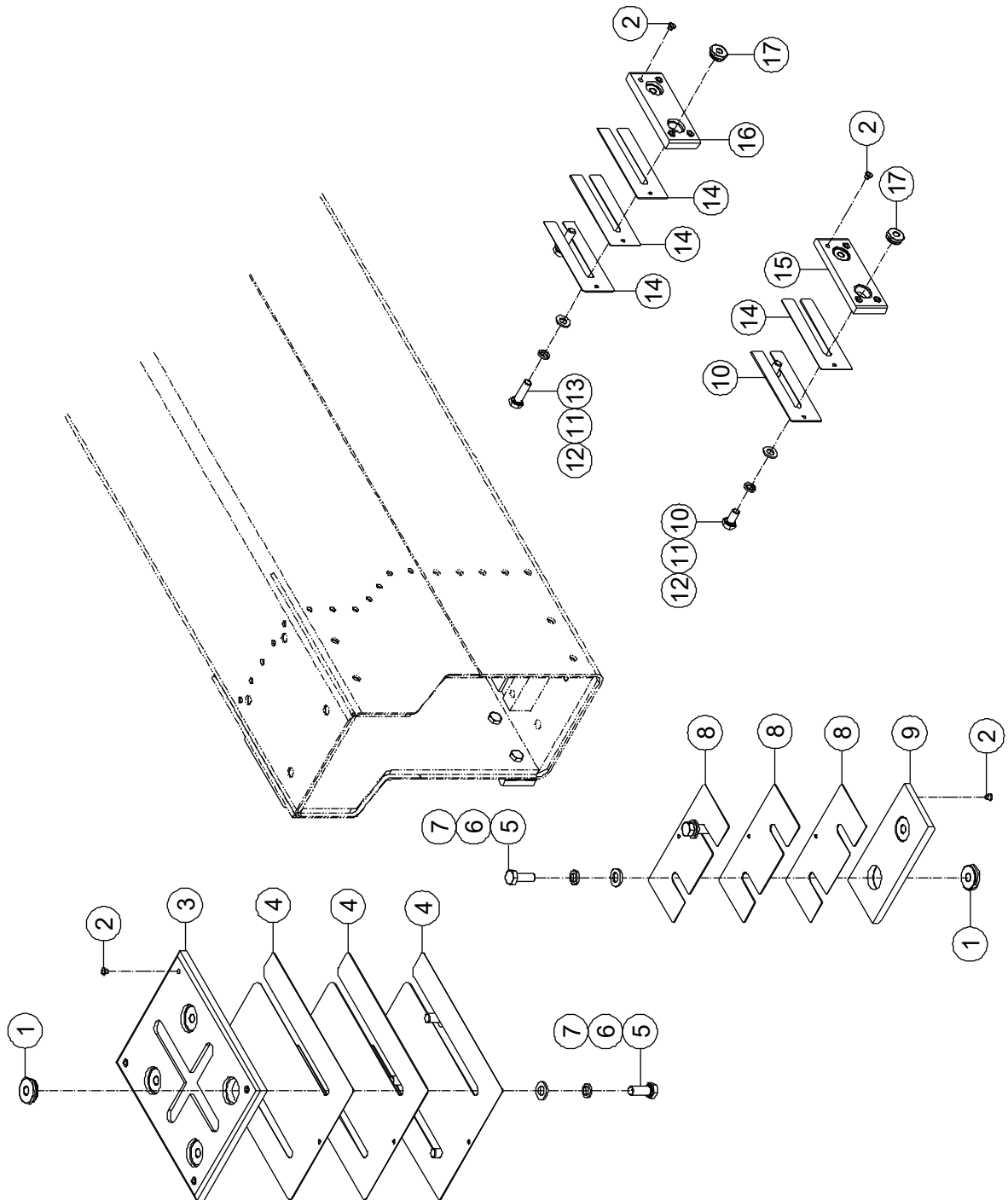


**3-8 Second Boom Sliding Block Installations 2**

Item	Part Number	Description	Qty.	Remark
1	92000169	Insert	4	
2	92009458	Plug	28	
3	92000131	Sliding Block	1	
4	92000133	Shim	3	
5	00001852	Screw GB/T 70 M12 × 55	4	
6	00000815	Spring Washer GB/T 93 12	8	
7	92029570	Lock	2	
8	00000684	Bolt GB/T 5783 M10 × 35	12	
9	00000679	Spring Washer GB/T 93 10	12	
10	00000615	Flat Washer GB/T 97.1 10	12	
11	92029615	Shim	12	
12	92000143	Sliding Block	4	
13	92000139	Insert	12	
14	92100108	Plate	1	
15	92000119	Shim	6	
16	92000115	Sliding Block	2	
17	92100219	Spacer	2	
18	92100221	Pulley Bearing	2	
19	92029583	Pin, Pivot	1	
20	92100220	Spacer	1	
21	00006123	Bolt GB/T 5786 M12×1.25 × 35	4	
22	00000814	Flat Washer GB/T 97.1 12	4	



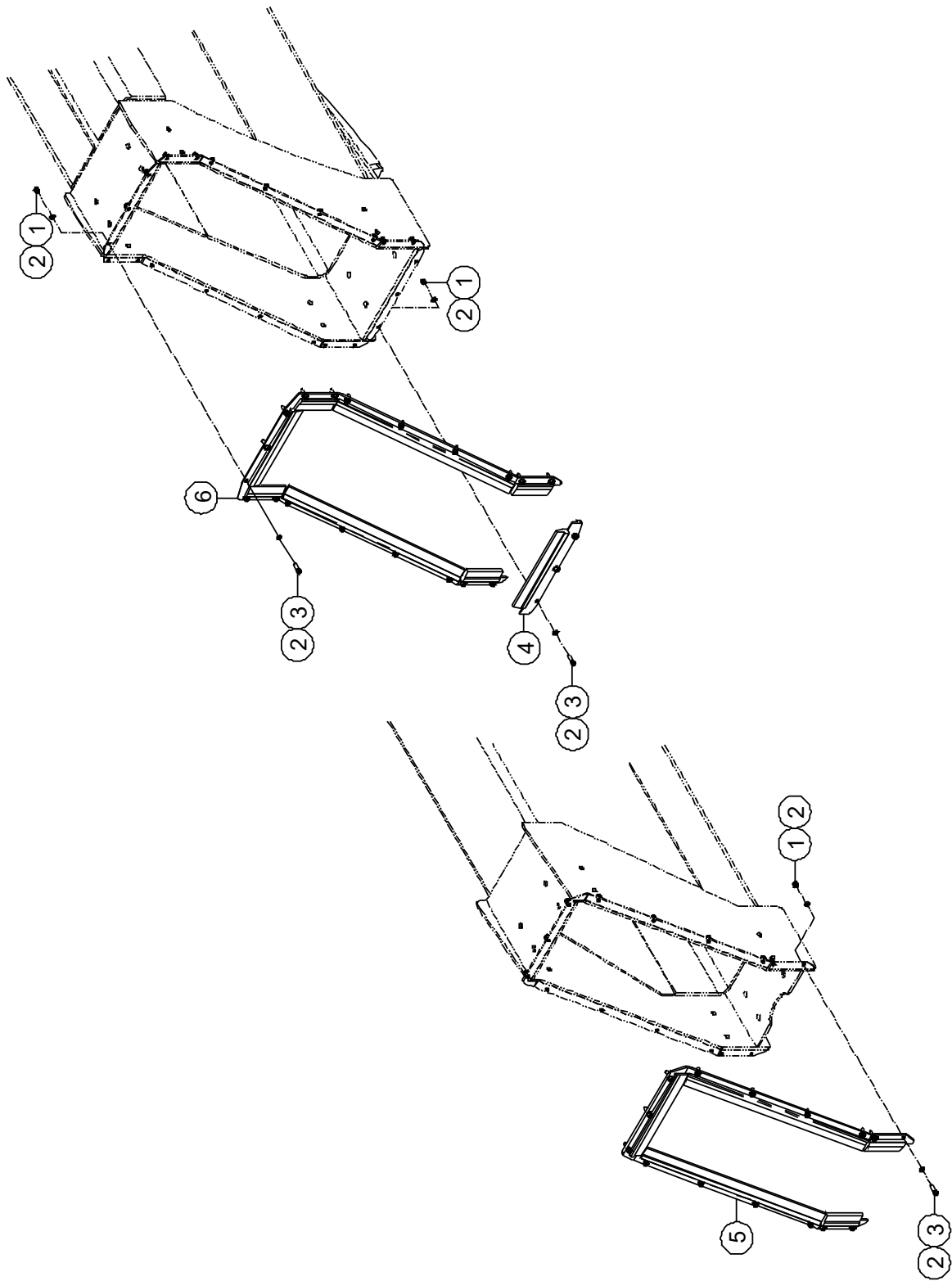
### 3-9 Third Boom Sliding Block Installations



**3-9 Third Boom Sliding Block Installations**

Item	Part Number	Description	Qty.	Remark
1	92000169	Insert	6	
2	92009458	Plug	24	
3	92000132	Sliding Block	1	
4	92000134	Shim	3	
5	00006122	Bolt GB/T 5786 M12×1.25 × 30	6	
6	00000815	Spring Washer GB/T 93 12	6	
7	00000814	Flat Washer GB/T 97.1 12	6	
8	92000120	Shim	3	
9	92000116	Sliding Block	1	
10	00000674	Bolt GB/T 5783 M10 × 20	4	
11	00000679	Spring Washer GB/T 93 10	8	
12	00000615	Flat Washer GB/T 97.1 10	8	
13	00000684	Bolt GB/T 5783 M10 × 35	4	
14	92029615	Shim	10	
15	92000145	Sliding Block	2	
16	92000143	Sliding Block	2	
17	92000139	Insert	8	

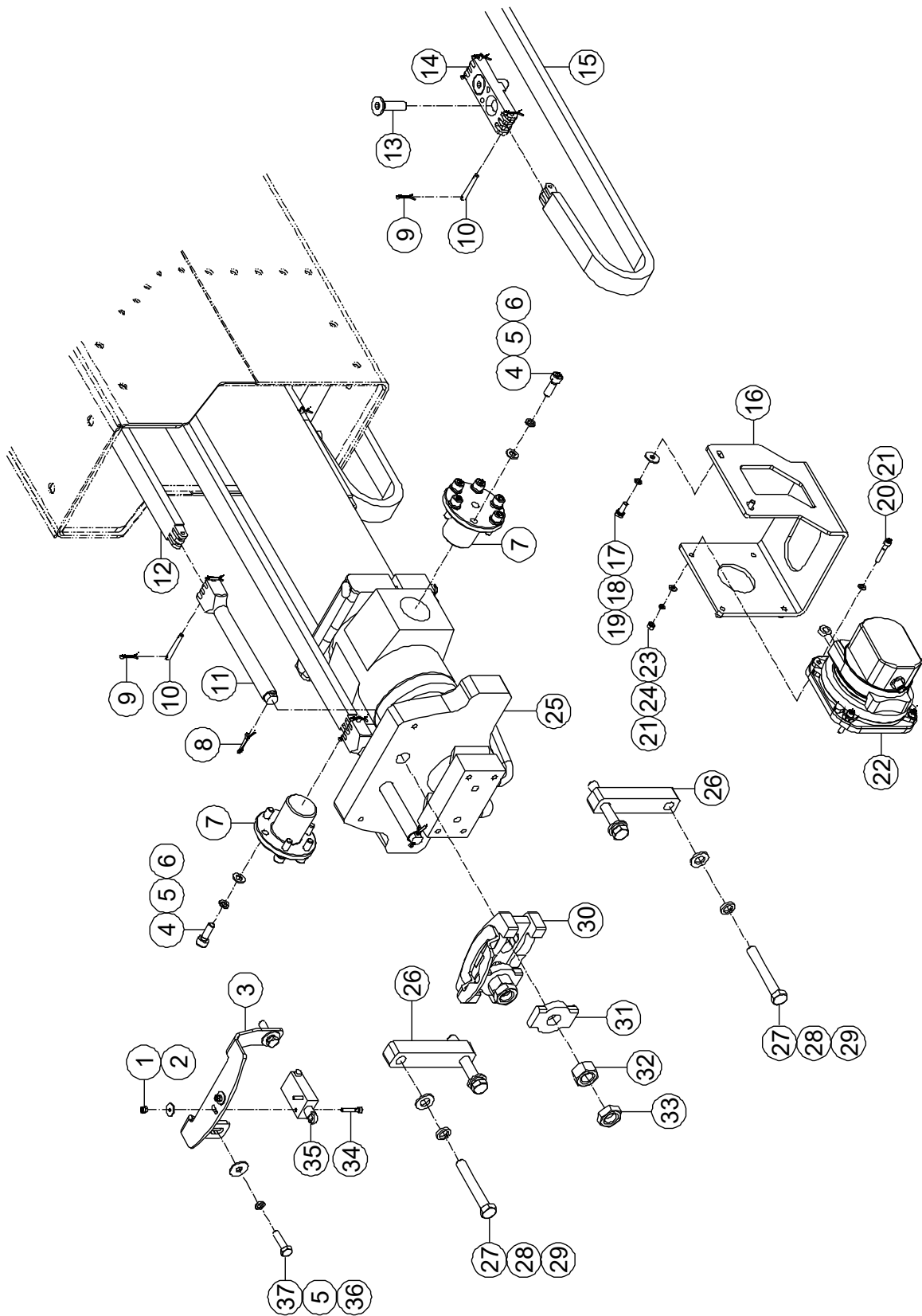
### 3-10 Boom Shield Installations



**3-10 Boom Shield Installations**

Item	Part Number	Description	Qty.	Remark
1	00001033	Nut GB/T 6182 M6	37	
2	00000620	Flat Washer GB/T 97.1 6	74	
3	00000774	Screw GB/T 70 M6 × 20	37	
4	92100133	Guard	1	
5	92100134	Guard	1	
6	92100137	Guard	1	

### 3-11 Telescopic System Installations



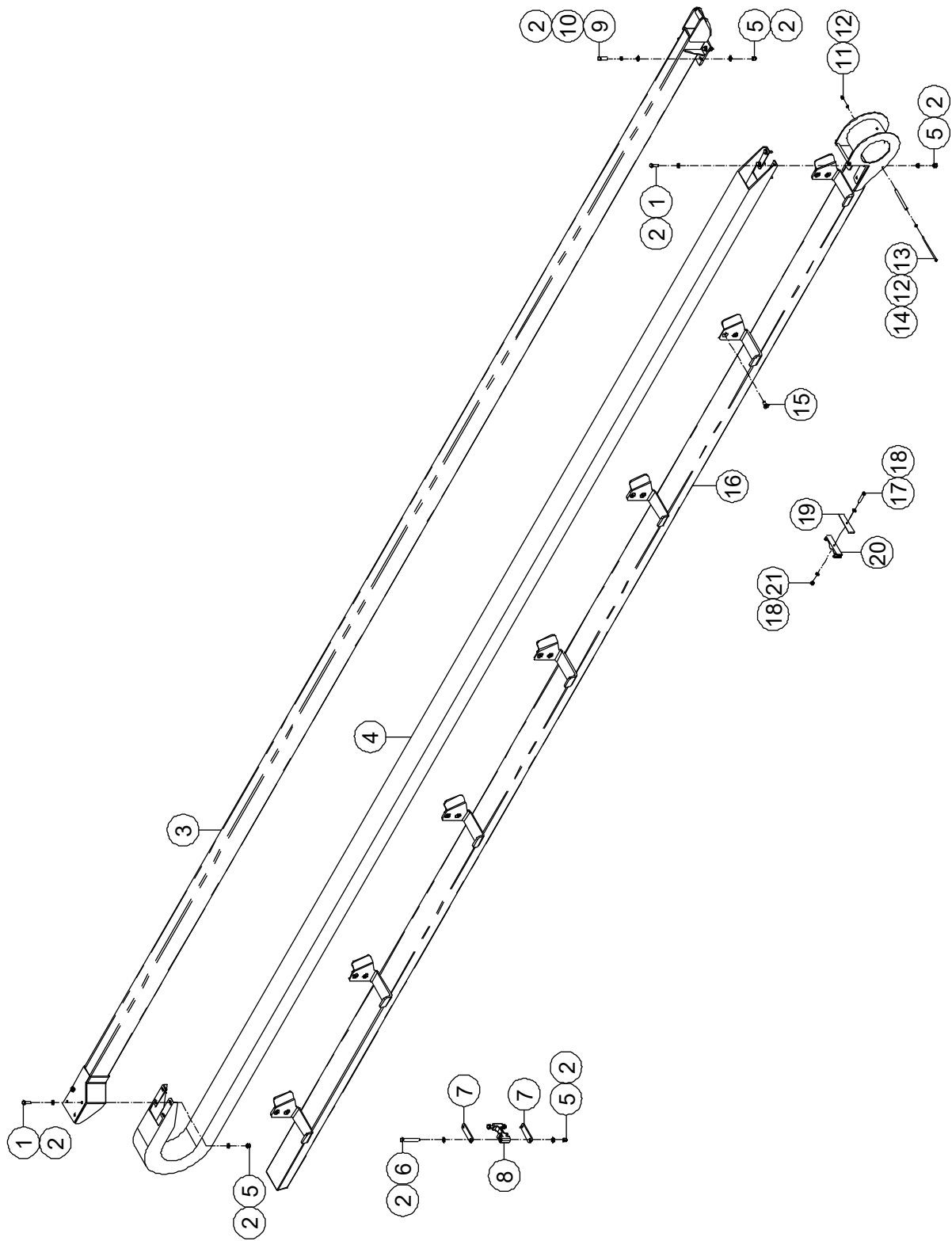
**3-11 Telescopic System Installations**

Item	Part Number	Description	Qty.	Remark
1	00001236	Nut GB/T 889.1 M4	2	
2	92012212	Washer	2	
3	92052611	Support	1	
4	00002555	Screw GB/T 70 M8 × 25	12	
5	00000609	Spring Washer GB/T 93 8	14	
6	00000608	Flat Washer GB/T 97.1 8	12	
7	92029608	Pin	2	
8	00002087	Cotter Pin GB/T 91 3.2 × 26	2	
9	00005753	Cotter Pin GB/T 91 2,5 × 20	12	
10	92029601	Pin	6	
11	92048417	Pull Chain	2	
12	92101274	Chain	2	BT30HRT
	92048427	Chain	2	BT30SHRT BT28HRT BT28BHRT
	92100098	Chain	2	BT28SHRT BT26HRT BT26BHRT
	92049349	Chain	2	BT26SHRT BT24HRT BT24BHRT
13	00000857	Screw GB/T 70.3 M12×40	4	
14	92048429	Pull Chain	2	
15	92101273	Chain	2	BT30HRT
	92048428	Chain	2	BT30SHRT BT28HRT BT28BHRT
	92100099	Chain	2	BT28SHRT BT26HRT BT26BHRT
	92049350	Chain	2	BT26SHRT BT24HRT BT24BHRT
16	92100107	Support	1	
17	00000818	Bolt GB/T 5783 M6 × 16	2	

**3-11 Telescopic System Installations (Continued)**

Item	Part Number	Description	Qty.	Remark
18	00000621	Spring Washer GB/T 93 6	2	
19	00002583	Flat Washer GB/T 96.1 6	2	
20	00001253	Screw GB/T 70 M5 × 30	4	
21	00000605	Flat Washer GB/T 97.1 5	8	
22	00008372	Length Angle Sensor	1	
23	00000688	Nut GB/T 6170 M5	4	
24	00000606	Spring Washer GB/T 93 5	4	
25		Telescopic Cylinder Assembly ( <i>Refer to 5-4</i> )	1	
26	92048326	Block	2	
27	00002527	Bolt GB/T 5782 M12 × 80	4	
28	00000815	Spring Washer GB/T 93 12	4	
29	00000814	Flat Washer GB/T 97.1 12	4	
30	92052609	Support	1	
31	92052602	Spacer	2	
32	00002587	Nut GB/T 6170 M18	2	
33	00002588	Nut GB/T 6172.1 M18	2	
34	00002228	Screw GB/T 70 M4 × 25	2	
35	00003167	Limit Switch	1	
36	00002000	Flat Washer GB/T 96.1 8	2	
37	00000995	Bolt GB/T 5783 M8 × 30	2	

3-12 Carrier System Installations 1





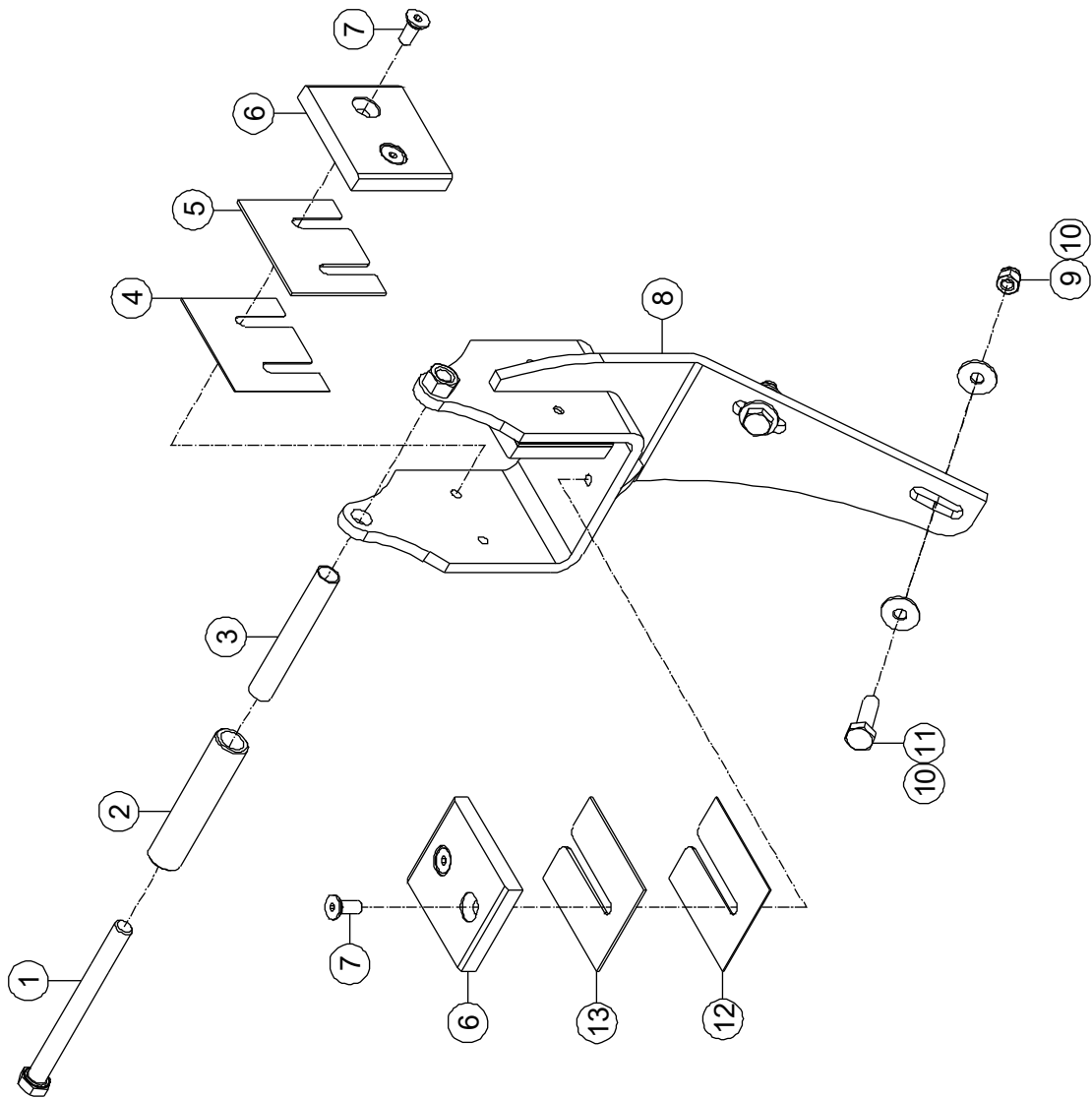
## 3-12 Carrier System Installations 1

Item	Part Number	Description	Qty.	Remark
1	00000683	Bolt GB/T 5783 M10 × 30	6	
2	00000615	Flat Washer GB/T 97.1 10	24	
3	92101279	Support	1	BT30HRT
	92048366	Support	1	BT30SHRT BT28HRT BT28BHRT
	92100094	Support	1	BT28SHRT BT26HRT BT26BHRT
	92049355	Support	1	BT26SHRT BT24HRT BT24BHRT
4	92101278	Chain	1	BT30HRT
	92048336	Chain	1	BT30SHRT BT28HRT BT28BHRT
	92100096	Chain	1	BT28SHRT BT26HRT BT26BHRT
	92049357	Chain	1	BT26SHRT BT24HRT BT24BHRT
5	00000623	Nut GB/T 6182 M10	12	
6	00002467	Bolt GB/T 5783 M10 × 90	2	
7	92100680	Plate	2	
8	92100678	Clamp	1	
9	00001041	Bolt GB/T 5783 M10 × 40	4	
10	00000679	Spring Washer GB/T 93 10	4	
11	00001033	Nut GB/T 6182 M6	2	
12	00000620	Flat Washer GB/T 97.1 6	4	
13	00006414	Bolt GB/T 5782 M6 × 145	2	
14	92048339	Roller	2	
15	00000854	Screw GB/T 70.3 M12×25	14	BT30HRT BT30SHRT BT28HRT BT28BHRT

**3-12 Carrier System Installations 1 (Continued)**

Item	Part Number	Description	Qty.	Remark
15	00000854	Screw GB/T 70.3 M12×25	12	BT28SHRT BT26SHRT BT26HRT BT24HRT BT26BHRT BT24BHRT
16	92101276	Support	1	BT30HRT
	92048341	Support	1	BT30SHRT BT28HRT BT28BHRT
	92100092	Support	1	BT28SHRT BT26HRT BT26BHRT
	92049353	Support	1	BT26SHRT BT24HRT BT24BHRT
17	00003607	Bolt GB/T 5783 M8 × 50	1	
18	00000608	Flat Washer GB/T 97.1 8	2	
19	92100679	Plate	1	
20	92100693	Clamp	1	
21	00001163	Nut GB/T 6182 M8	1	

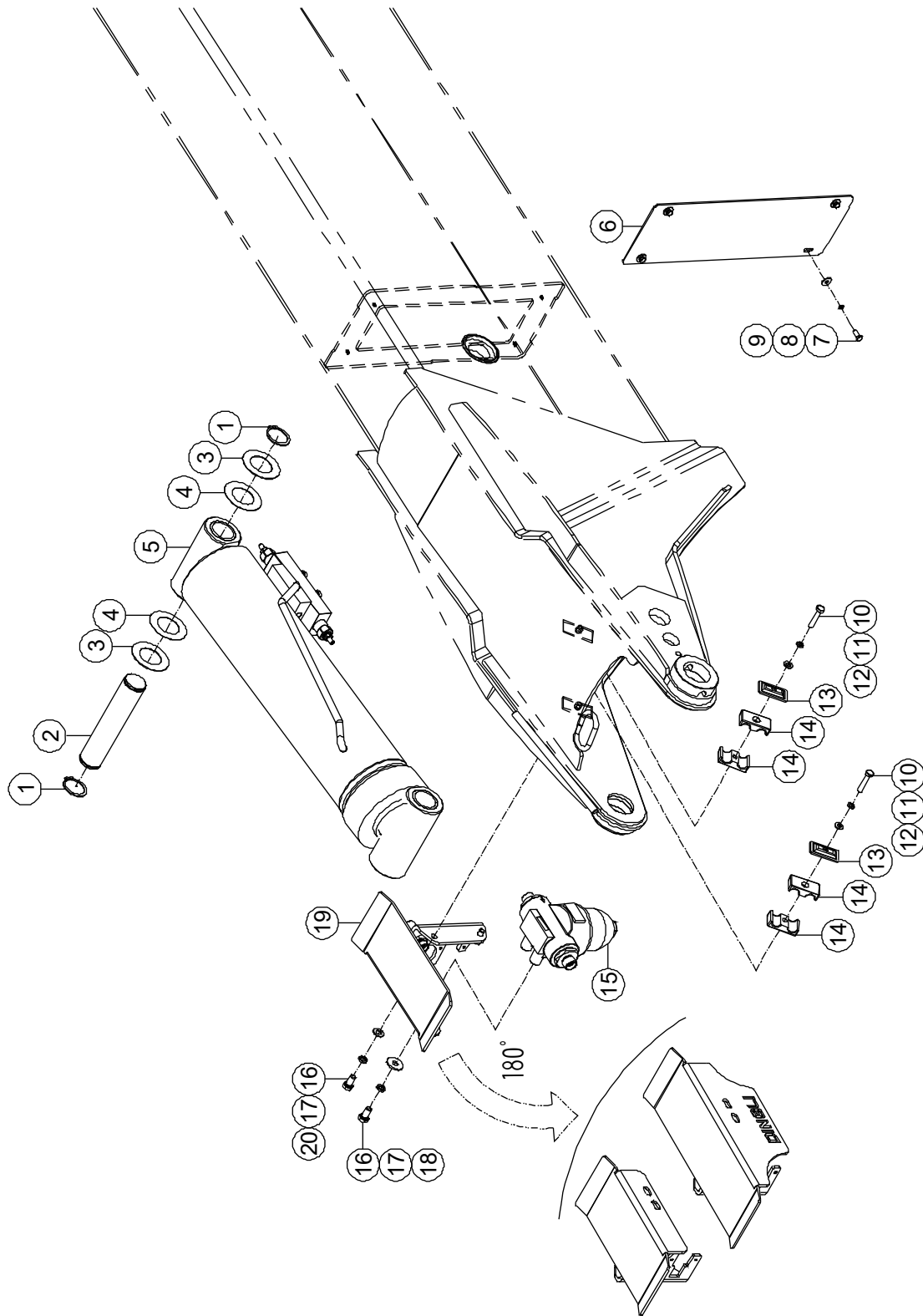
### 3-13 Carrier System Installations 2



**3-13 Carrier System Installations 2**

Item	Part Number	Description	Qty.	Remark
1	00002012	Bolt GB/T 5782 M12 × 130	1	
2	92048398	Roller	1	
3	92048400	Roller	1	
4	92048401	Shim	2	
5	92048402	Shim	2	
6	92048393	Sliding Block	3	
7	00000765	Screw GB/T 70.3 M8×20	6	
8	92048403	Support	1	
9	00001163	Nut GB/T 6182 M8	2	
10	00002000	Flat Washer GB/T 96.1 8	4	
11	00000684	Bolt GB/T 5783 M10 × 35	2	
12	92048396	Shim	1	
13	92048397	Shim	1	

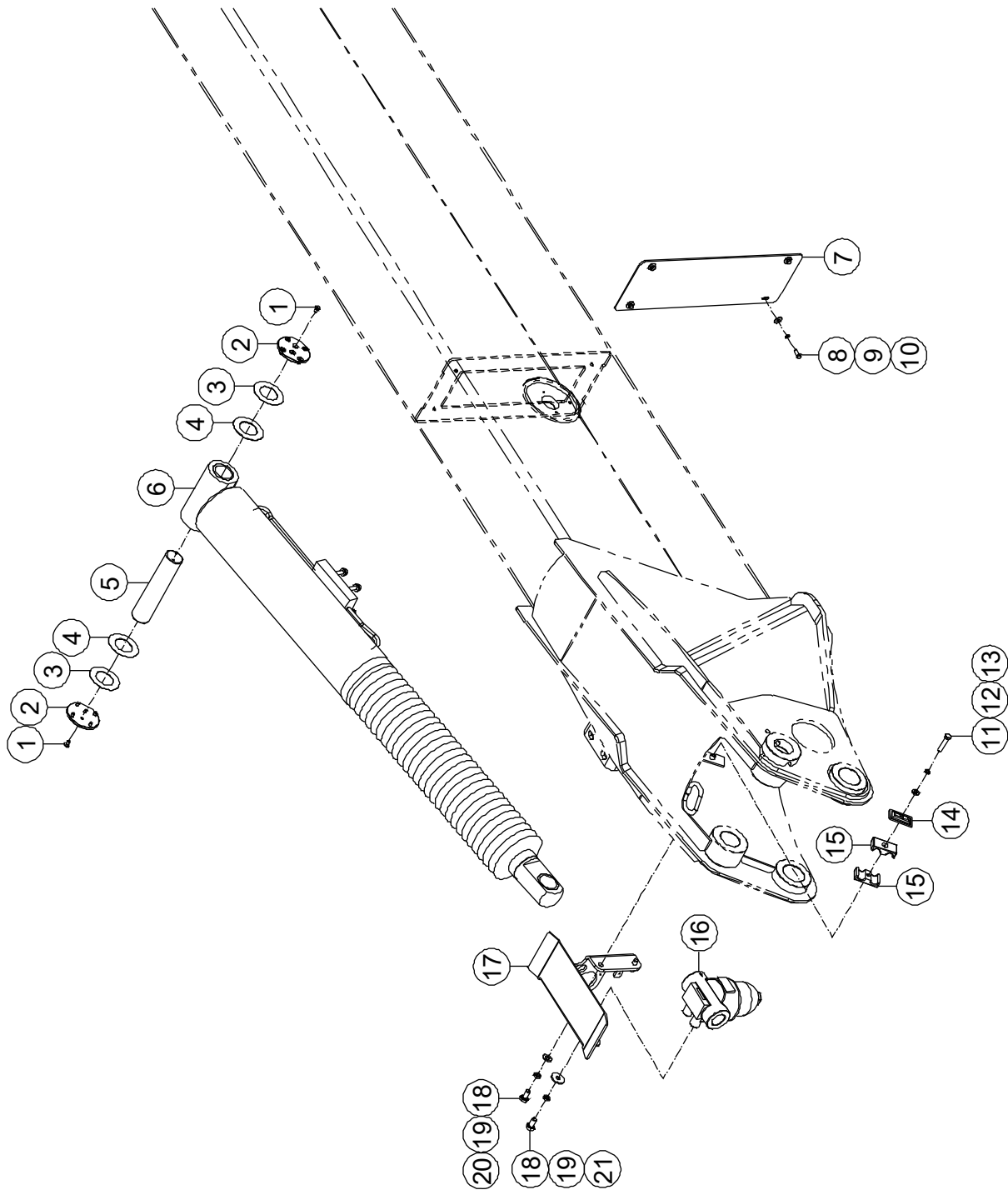
**3-14 JIB Leveling Cylinder Assembly Installations (BT30HRT, BT28HRT, BT26HRT, BT24HRT, BT30SHRT, BT28SHRT, BT26SHRT)**



### 3-14 JIB Leveling Cylinder Assembly Installations (BT30HRT, BT28HRT, BT26HRT, BT24HRT, BT30SHRT, BT28SHRT, BT26SHRT)

Item	Part Number	Description	Qty.	Remark
1	00000944	Washer GB/T 894.1-40	2	
2	92029651	Pin, Pivot	1	
3	92029978	Shim	2	
4	92029979	Shim	2	
5		JIB Leveling Cylinder Assembly ( <i>Refer to 5-5</i> )	1	
6	92100982	Cover	1	
7	00000818	Bolt GB/T 5783 M6 × 16	4	
8	00000621	Spring Washer GB/T 93 6	4	
9	00002583	Flat Washer GB/T 96.1 6	4	
10	00002604	Bolt GB/T 5783 M8 × 40	2	
11	00000609	Spring Washer GB/T 93 8	2	
12	00000608	Flat Washer GB/T 97.1 8	2	
13	90001243	Plate	2	
14	90001242	Clamp	4	
15	00002744	Pressure Filter	1	
16	00000674	Bolt GB/T 5783 M10 × 20	4	
17	00000679	Spring Washer GB/T 93 10	4	
18	00001028	Flat Washer GB/T 96.1 10	2	
19	92100152	Support	1	Alternative
	92100743	Support	1	
20	00000615	Flat Washer GB/T 97.1 10	2	

### 3-15 JIB Leveling Cylinder Assembly Installations (BT28BHRT, BT26BHRT, BT24BHRT)

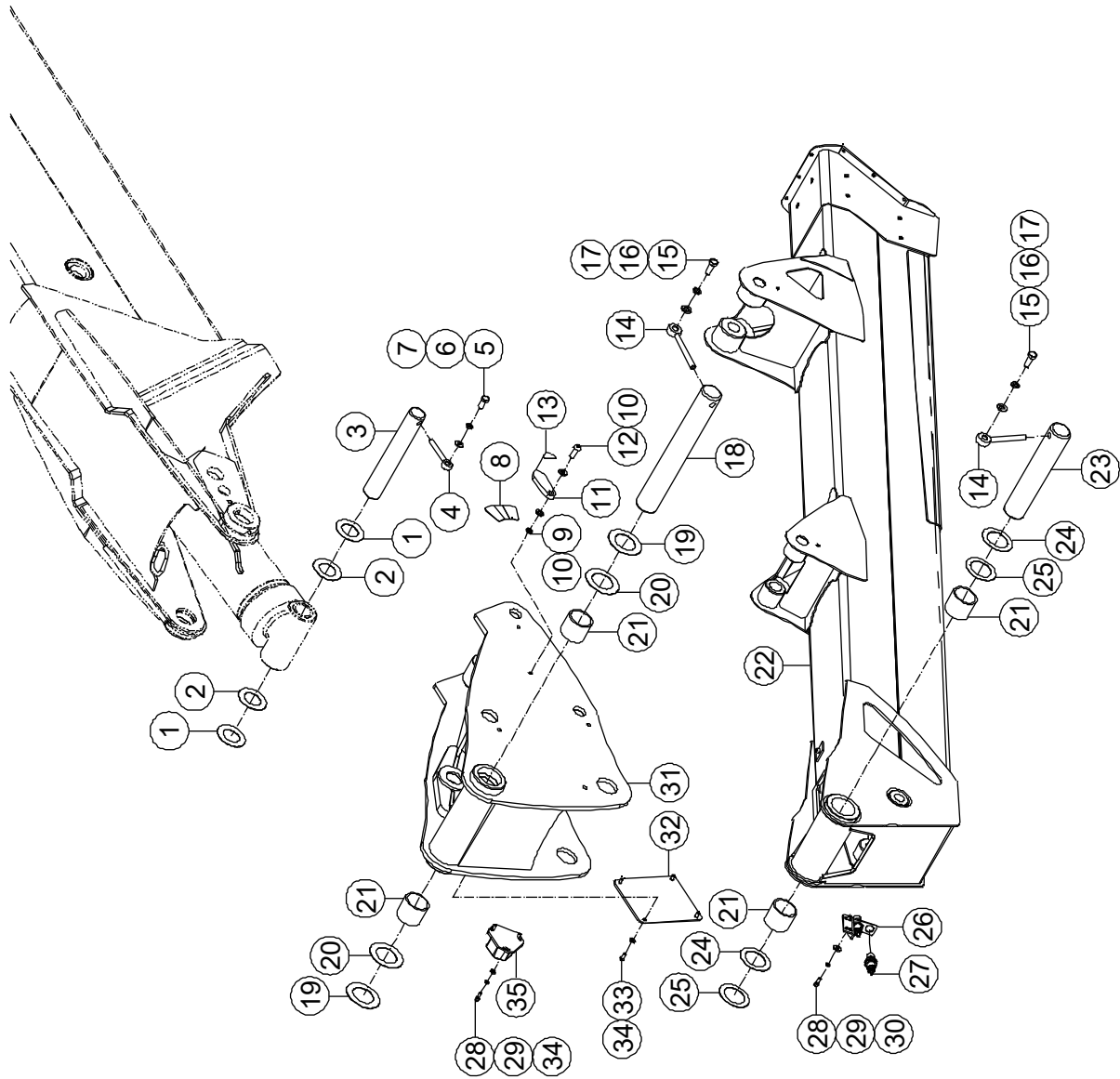


### 3-15 JIB Leveling Cylinder Assembly Installations (BT28BHRT, BT26BHRT, BT24BHRT)

Item	Part Number	Description	Qty.	Remark
1	00000829	Screw GB/T 70.3 M6×12	12	
2	50000448	Cover	2	
3	92029979	Shim	2	
4	92029978	Shim	2	
5	00009658	893C-40182 Pin, Pivot	1	
6		JIB Leveling Cylinder Assembly ( <i>Refer to 5-6</i> )	1	
7	92100982	Cover	1	
8	00000818	Bolt GB/T 5783 M6 × 16	4	
9	00000621	Spring Washer GB/T 93 6	4	
10	00002583	Flat Washer GB/T 96.1 6	4	
11	00002604	Bolt GB/T 5783 M8 × 40	1	
12	00000609	Spring Washer GB/T 93 8	1	
13	00000608	Flat Washer GB/T 97.1 8	1	
14	90001243	Plate	1	
15	90001242	Clamp	2	
16	00002744	Pressure Filter	1	
17	92100167	Support	1	
18	00000674	Bolt GB/T 5783 M10 × 20	4	
19	00000679	Spring Washer GB/T 93 10	4	
20	00000615	Flat Washer GB/T 97.1 10	2	
21	00001028	Flat Washer GB/T 96.1 10	2	



**3-16 Telescopic Boom and Telescopic JIB Installations (BT30SHRT, BT28SHRT, BT26SHRT)**



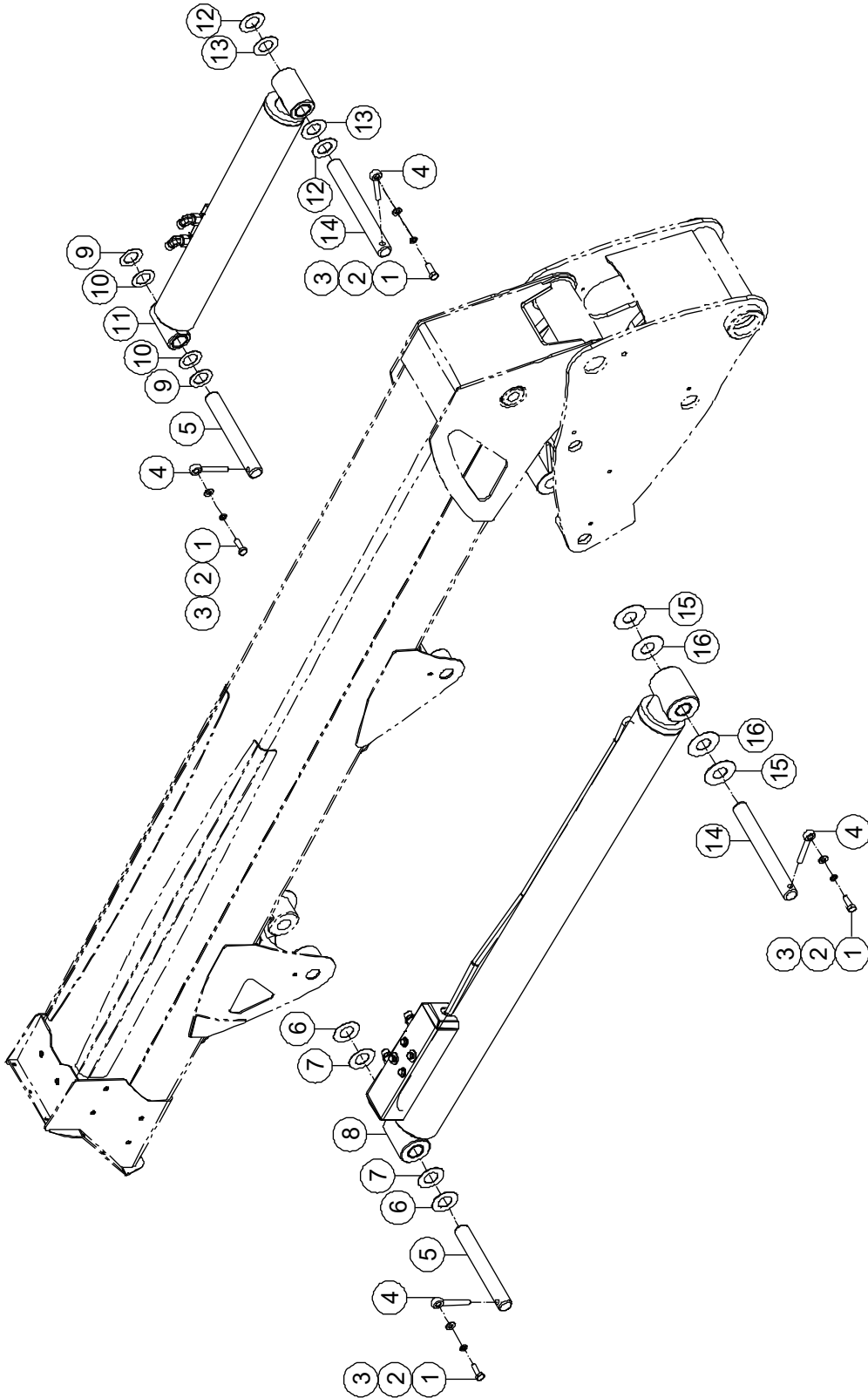
### 3-16 Telescopic Boom and Telescopic JIB Installations (BT30SHRT, BT28SHRT, BT26SHRT)

Item	Part Number	Description	Qty.	Remark
1	92029978	Shim	2	
2	92029979	Shim	2	
3	92049212	Pin, Pivot	1	
4	00000220	8902-10080 Pin, Lock	1	
5	00000678	Bolt GB/T 5783 M10 × 25	1	
6	00000679	Spring Washer GB/T 93 10	1	
7	00000615	Flat Washer GB/T 97.1 10	1	
8	92029971	Decal	1	
9	00006418	Nut GB/T 6172.1 M8	1	
10	92001455	Washer	2	
11	92029981	Indicator	1	
12	00002580	Screw GB/T 70.2 M10×30	1	
13	92029982	Decal	1	
14	00002465	8902-12120 Pin, Lock	2	
15	00002059	Bolt GB/T 5783 M12 × 30	2	
16	00000815	Spring Washer GB/T 93 12	2	
17	00000814	Flat Washer GB/T 97.1 12	2	
18	92048277	Pin, Pivot	1	
19	92029593	Shim	2	
20	92029594	Shim	2	
21	92048520	8813-505850 Sleeve Bearing	4	
22	92048462	Telescopic JIB Base Boom	1	
23	92049195	Pin, Pivot	1	
24	92049197	Shim	2	
25	92049198	Shim	2	
26	92048908	Support	1	
27	00006642	Proximity Switch	2	
28	00000876	Screw GB/T 70 M6 × 16	5	

### 3-16 Telescopic Boom and Telescopic JIB Installations (BT30SHRT, BT28SHRT, BT26SHRT) (Continued)

Item	Part Number	Description	Qty.	Remark
29	00000621	Spring Washer GB/T 93 6	5	
30	00002583	Flat Washer GB/T 96.1 6	2	
31	92049224	Junction	1	
32	92049221	Cover	1	
33	00001179	Screw GB/T 70.2 M6×16	4	
34	00000620	Flat Washer GB/T 97.1 6	7	
35	00008914	Angle sensor	1	Standard.single channel
	00002916	Angle sensor	1	Optional,dual channel

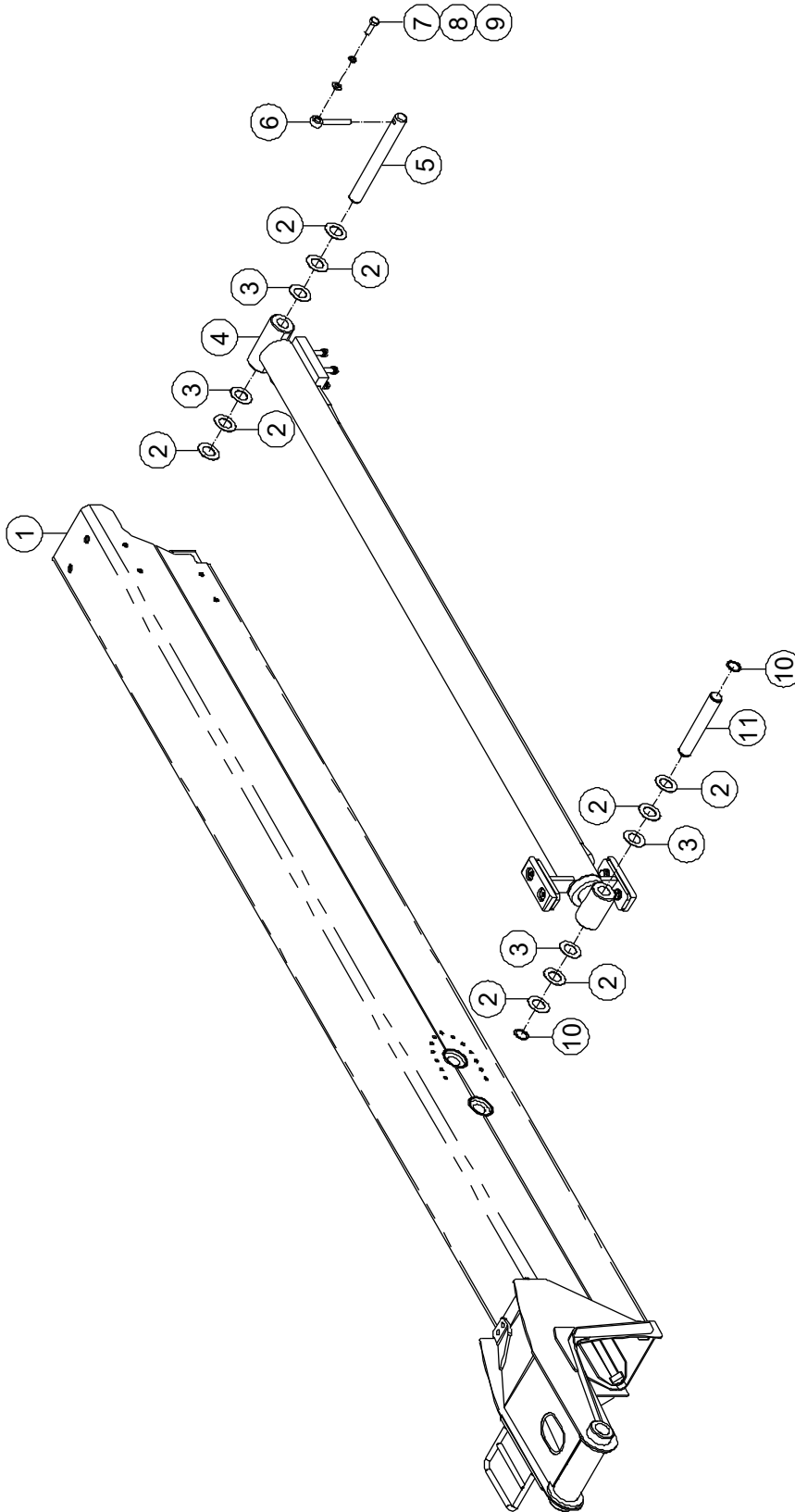
### 3-17 Telescopic JIB Lifting Cylinder Assembly Installations (BT30SHRT, BT28SHRT, BT26SHRT)



### 3-17 Telescopic JIB Lifting Cylinder Assembly Installations (BT30SHRT, BT28SHRT, BT26SHRT)

Item	Part Number	Description	Qty.	Remark
1	00000683	Bolt GB/T 5783 M10 × 30	4	
2	00000679	Spring Washer GB/T 93 10	4	
3	00000615	Flat Washer GB/T 97.1 10	4	
4	00000220	8902-10080 Pin, Lock	4	
5	92048729	Pin, Pivot	2	
6	92030014	Shim	2	
7	92030015	Shim	2	
8		JIB Lifting Cylinder Assembly ( <i>Refer to 5-7</i> )	1	
9	92048742	Shim	2	
10	92048744	Shim	2	
11		Master Cylinder Assembly ( <i>Refer to 5-9</i> )	1	
12	92049191	Shim	2	
13	92049188	Shim	2	
14	92049174	Pin, Pivot	2	
15	92049177	Shim	2	
16	92049179	Shim	2	

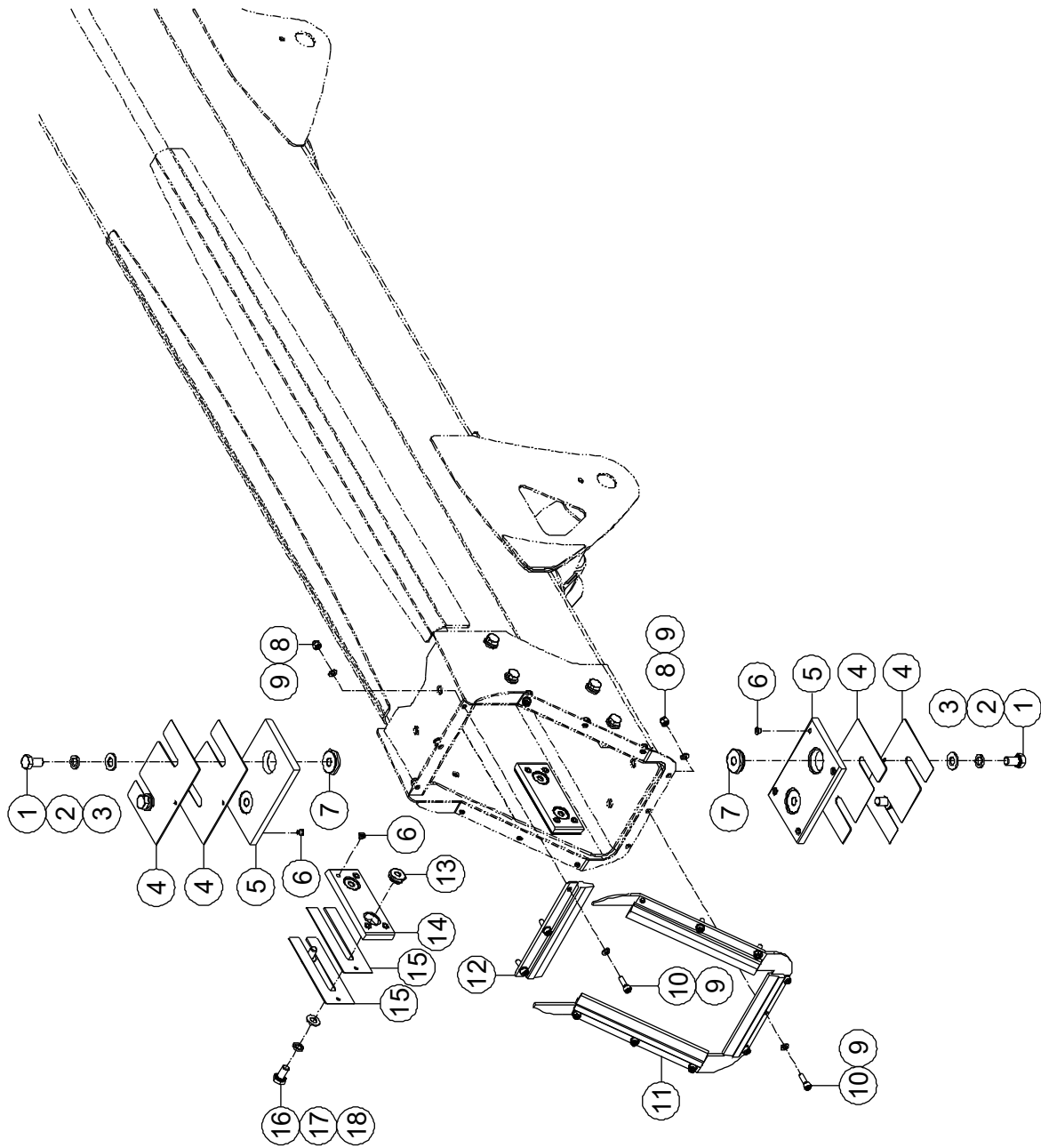
**3-18 Telescopic JIB Telescopic Cylinder Assembly Installations  
(BT30SHRT, BT28SHRT, BT26SHRT)**



### 3-18 Telescopic JIB Telescopic Cylinder Assembly Installations (BT30SHRT, BT28SHRT, BT26SHRT)

Item	Part Number	Description	Qty.	Remark
1	92048636	Telescopic JIB Second Boom	1	
2	92048725	Shim	8	
3	92048723	Shim	4	
4		JIB Telescopic Cylinder Assembly ( <i>Refer to 5-8</i> )	1	
5	00009729	895-25212 Pin, Pivot	1	
6	00000220	8902-10080 Pin, Lock	1	
7	00000683	Bolt GB/T 5783 M10 × 30	1	
8	00000679	Spring Washer GB/T 93 10	1	
9	00000615	Flat Washer GB/T 97.1 10	1	
10	00000992	Washer GB/T 894.1-25	2	
11	92048770	Pin, Pivot	1	

### 3-19 Telescopic JIB Base Boom Sliding Block Installations (BT30SHRT, BT28SHRT, BT26SHRT)

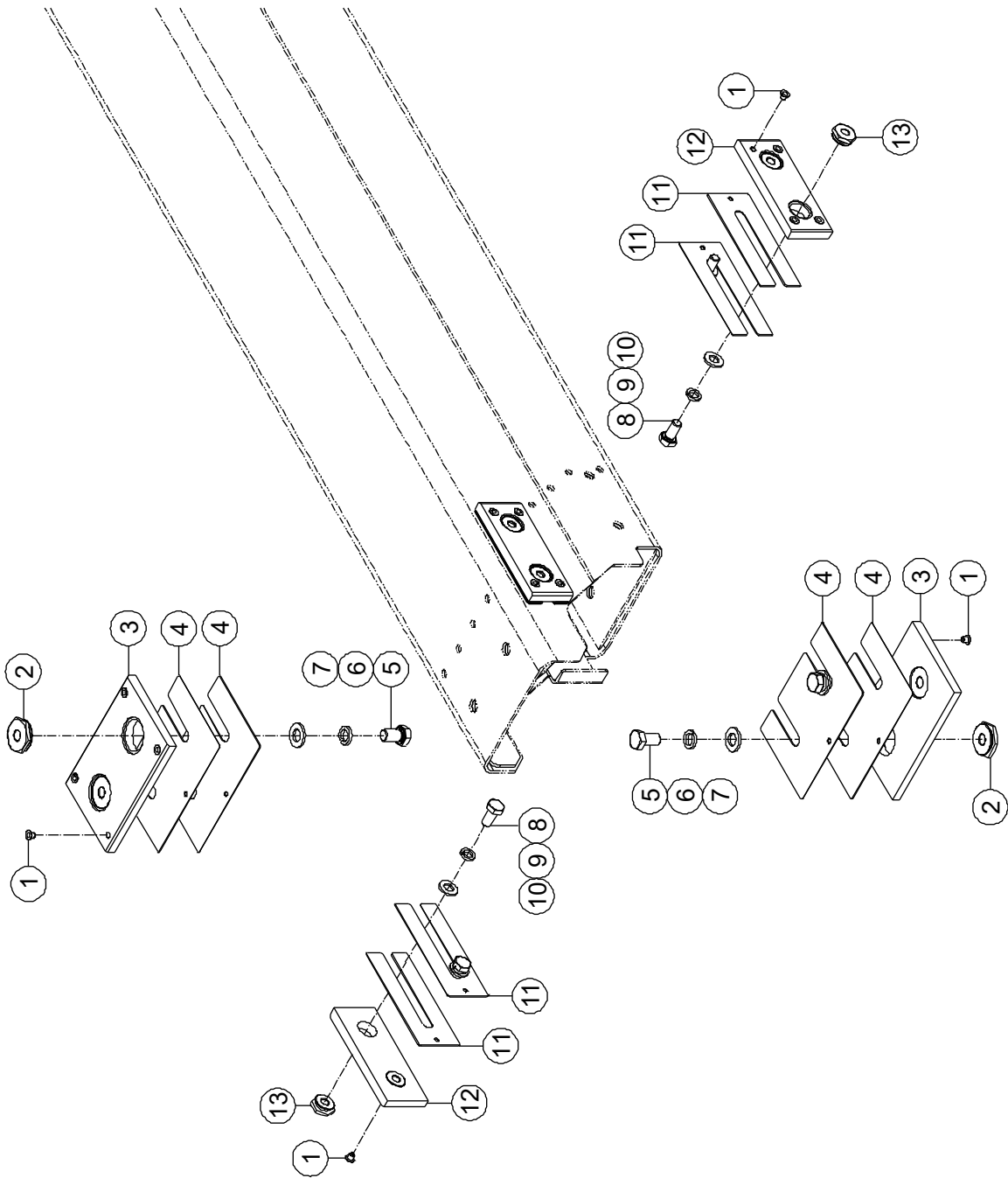




### 3-19 Telescopic JIB Base Boom Sliding Block Installations (BT30SHRT, BT28SHRT, BT26SHRT)

Item	Part Number	Description	Qty.	Remark
1	00005531	Bolt GB/T 5786 M12×1.25 × 20	4	
2	00000815	Spring Washer GB/T 93 12	4	
3	00000814	Flat Washer GB/T 97.1 12	4	
4	92030000	Shim	4	
5	92000147	Sliding Block	2	
6	92009458	Plug	24	
7	92000169	Insert	4	
8	00001033	Nut GB/T 6182 M6	12	
9	00000620	Flat Washer GB/T 97.1 6	24	
10	00000774	Screw GB/T 70 M6 × 20	12	
11	92100136	Guard	1	
12	92100135	Guard	1	
13	92000139	Insert	8	
14	92000145	Sliding Block	4	
15	92029615	Shim	8	
16	00000674	Bolt GB/T 5783 M10 × 20	8	
17	00000679	Spring Washer GB/T 93 10	8	
18	00000615	Flat Washer GB/T 97.1 10	8	

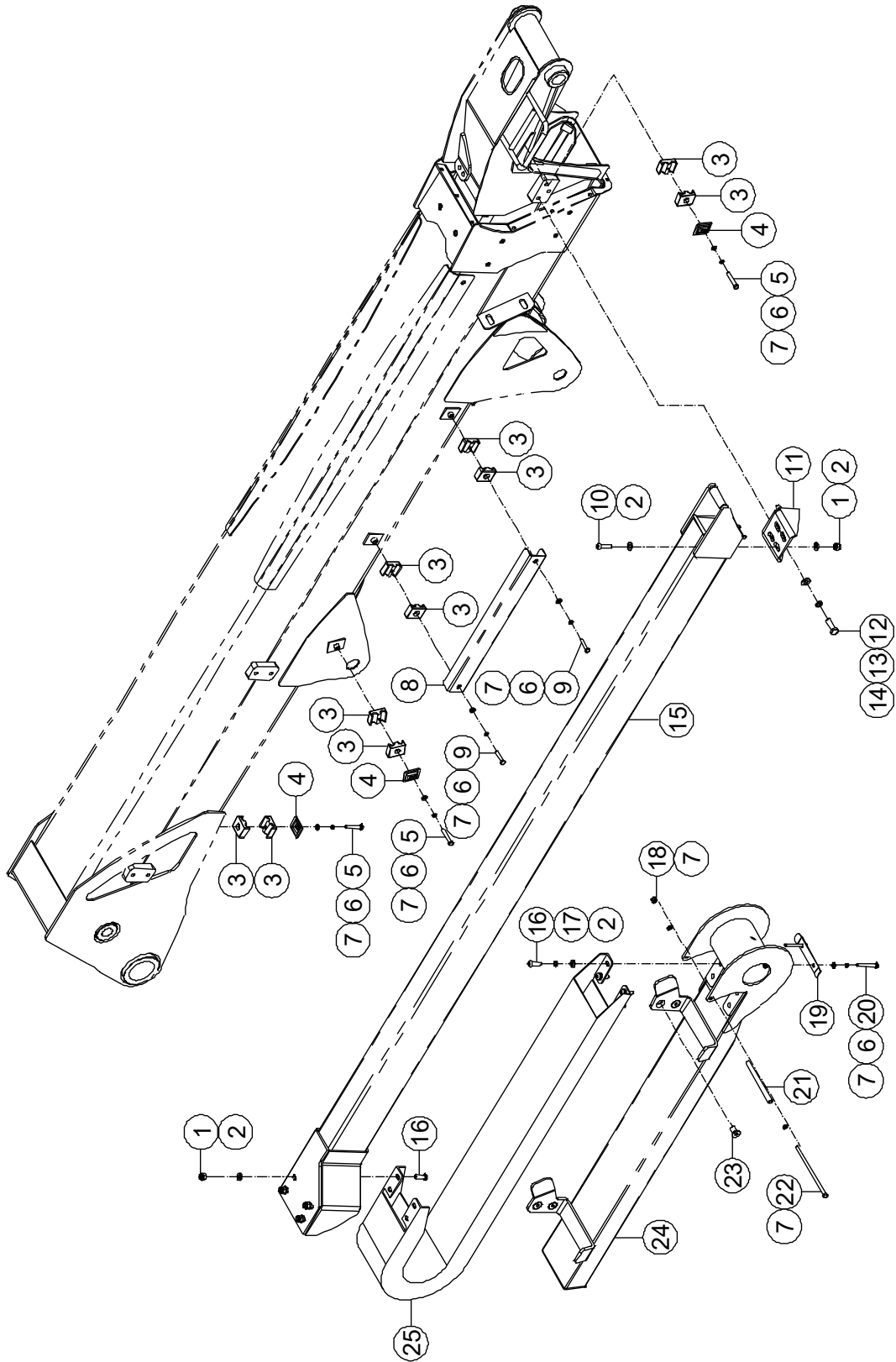
### 3-20 Telescopic JIB Second Boom Sliding Block Installations (BT30SHRT, BT28SHRT, BT26SHRT)



### 3-20 Telescopic JIB Second Boom Sliding Block Installations (BT30SHRT, BT28SHRT, BT26SHRT)

Item	Part Number	Description	Qty.	Remark
1	92009458	Plug	24	
2	92000169	Insert	4	
3	92000147	Sliding Block	2	
4	92030000	Shim	4	
5	00005531	Bolt GB/T 5786 M12×1.25 × 20	4	
6	00000815	Spring Washer GB/T 93 12	4	
7	00000814	Flat Washer GB/T 97.1 12	4	
8	00000674	Bolt GB/T 5783 M10 × 20	8	
9	00000679	Spring Washer GB/T 93 10	8	
10	00000615	Flat Washer GB/T 97.1 10	8	
11	92029615	Shim	8	
12	92000145	Sliding Block	4	
13	92000139	Insert	8	

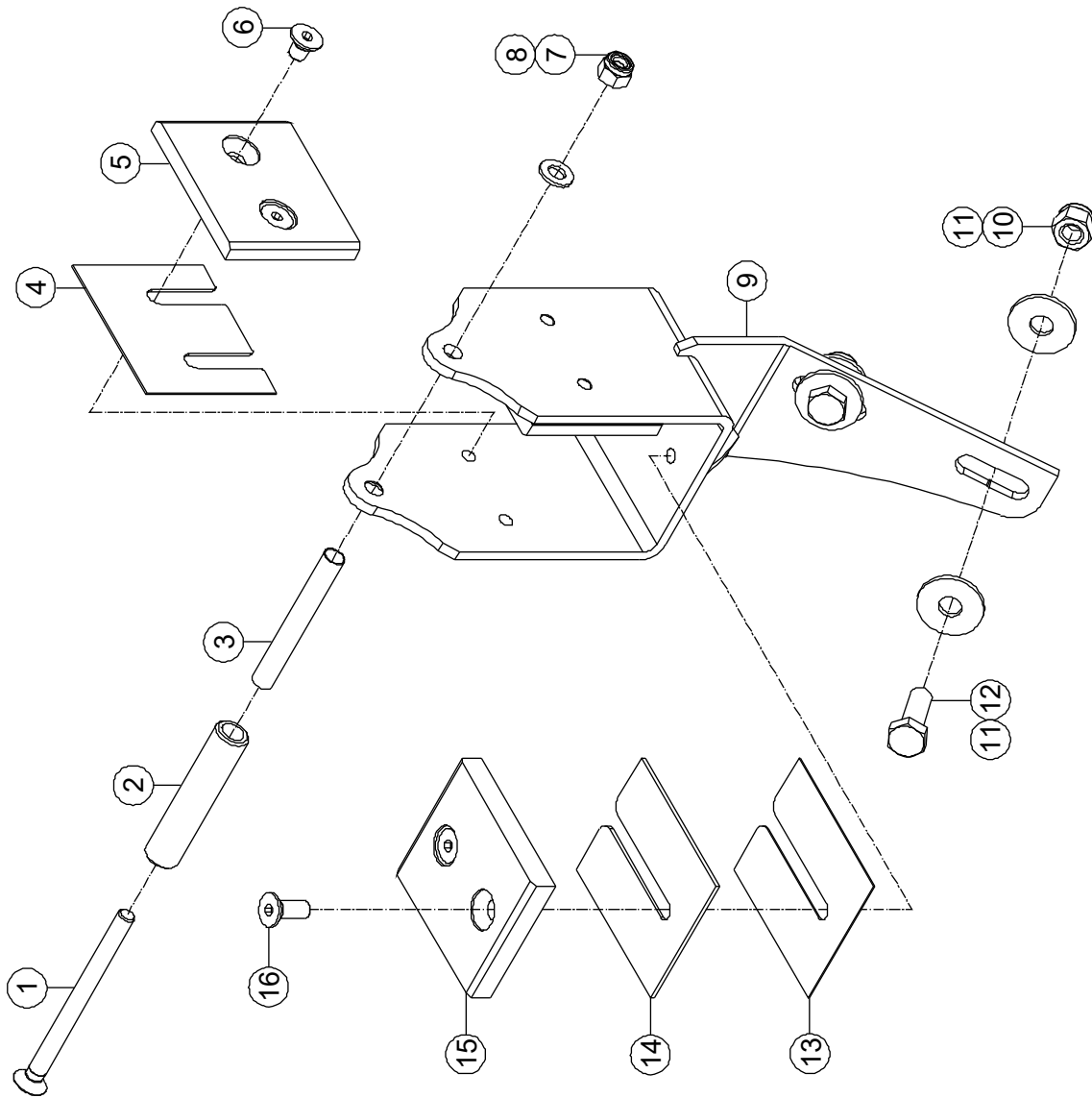
**3-21 Telescopic JIB Carrier System Installations 1 (BT30SHRT, BT28SHRT, BT26SHRT)**



### 3-21 Telescopic JIB Carrier System Installations 1 (BT30SHRT, BT28SHRT, BT26SHRT)

Item	Part Number	Description	Qty.	Remark
1	00001163	Nut GB/T 6182 M8	8	
2	00000608	Flat Washer GB/T 97.1 8	16	
3	90003848	Clamp	10	
4	90004148	Plate	3	
5	00002559	Bolt GB/T 5783 M6 × 40	3	
6	00000621	Spring Washer GB/T 93 6	7	
7	00000620	Flat Washer GB/T 97.1 6	9	
8	92048431	Housing	1	
9	00000775	Bolt GB/T 5783 M6 × 30	2	
10	00001190	Screw GB/T 70.2 M8×30	4	
11	92049325	Support	1	
12	00000683	Bolt GB/T 5783 M10 × 30	3	
13	00000679	Spring Washer GB/T 93 10	3	
14	00000615	Flat Washer GB/T 97.1 10	3	
15	92048807	Channel	1	
16	00001189	Screw GB/T 70.2 M8×25	8	
17	00000609	Spring Washer GB/T 93 8	4	
18	00001033	Nut GB/T 6182 M6	1	
19	92048434	Plate	1	
20	00002509	Bolt GB/T 5783 M6 × 50	2	
21	92048339	Roller	1	
22	00006414	Bolt GB/T 5782 M6 × 145	1	
23	00000845	Screw GB/T 70.3 M10×20	4	
24	92048787	Channel	1	
25	92048894	Chain	1	

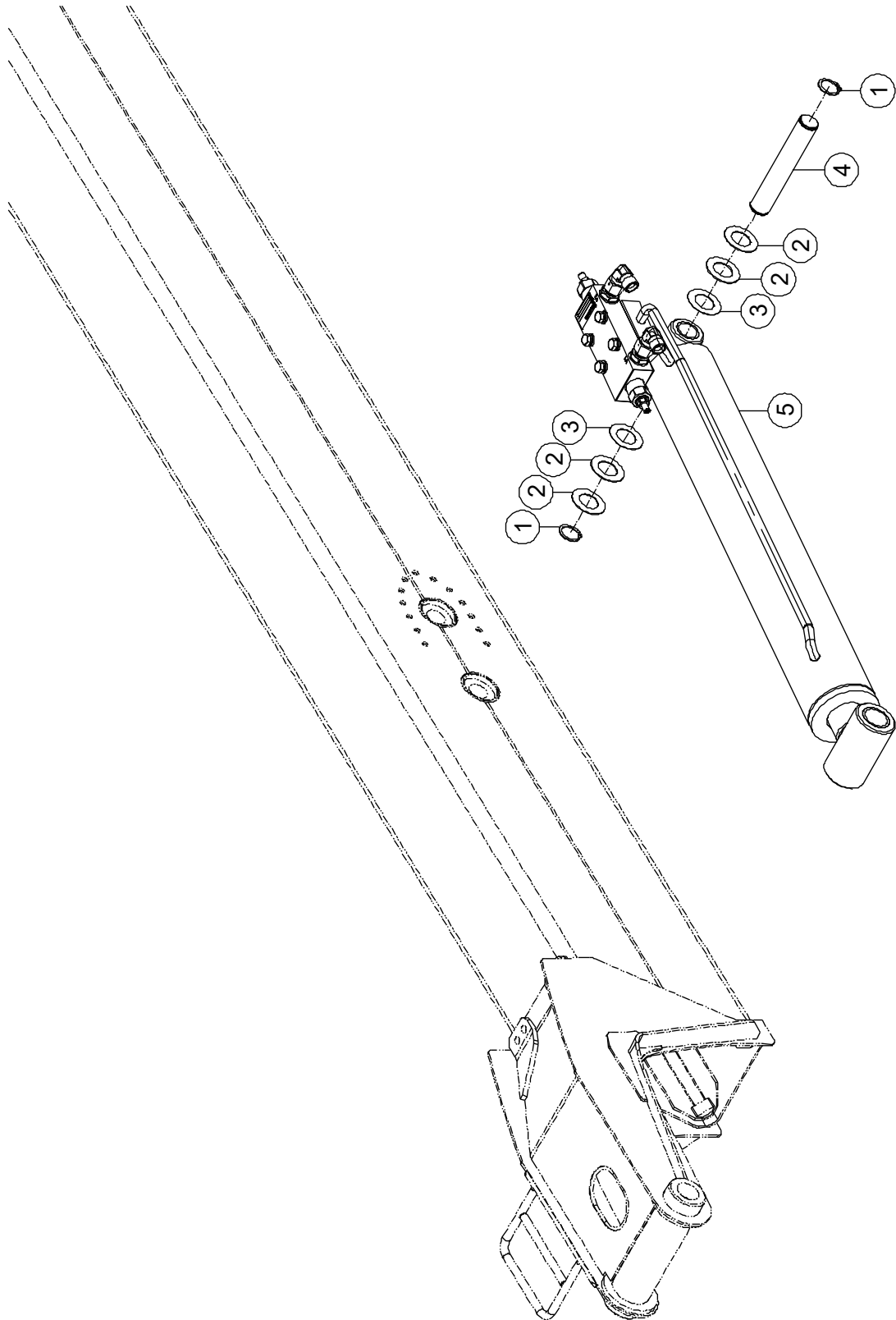
**3-22 Telescopic JIB Carrier System Installations 2 (BT30SHRT, BT28SHRT, BT26SHRT)**



### 3-22 Telescopic JIB Carrier System Installations 2 (BT30SHRT, BT28SHRT, BT26SHRT)

Item	Part Number	Description	Qty.	Remark
1	00006703	Screw GB/T 70.3 M8×105	1	
2	92048988	Roller	1	
3	92048987	Roller	1	
4	92048980	Shim	2	
5	92048961	Sliding Block	2	
6	00000836	Screw GB/T 70.3 M8×12	4	
7	00001163	Nut GB/T 6182 M8	1	
8	00000608	Flat Washer GB/T 97.1 8	1	
9	92048939	Support	1	
10	00000623	Nut GB/T 6182 M10	2	
11	00001028	Flat Washer GB/T 96.1 10	4	
12	00000683	Bolt GB/T 5783 M10 × 30	2	
13	92048999	Shim	1	
14	92048995	Shim	1	
15	92048393	Sliding Block	1	
16	00000765	Screw GB/T 70.3 M8×20	2	

**3-23 Slave Cylinder Assembly Installations (BT30SHRT, BT28SHRT, BT26SHRT)**

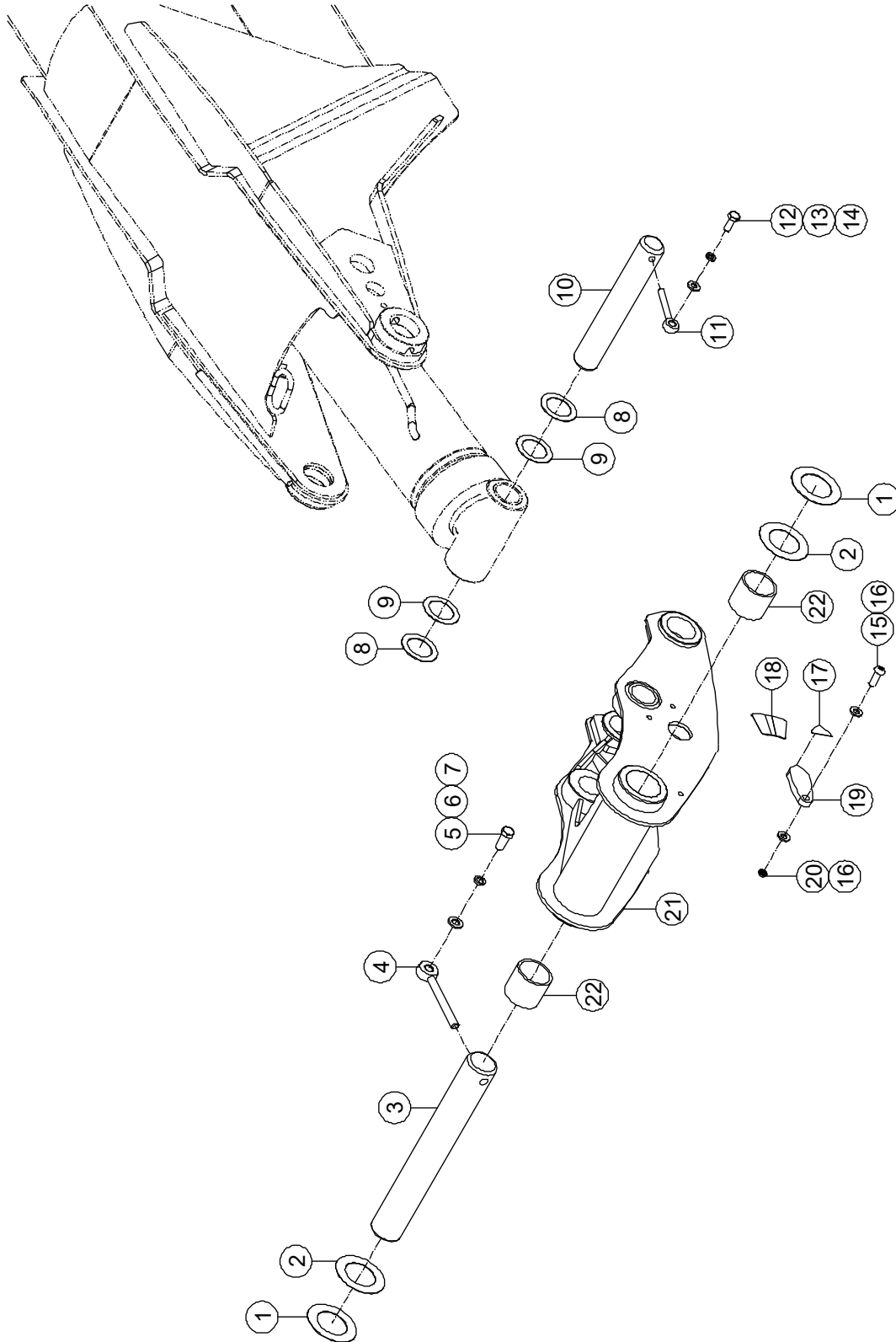




**3-23 Slave Cylinder Assembly Installations (BT30SHRT, BT28SHRT, BT26SHRT)**

Item	Part Number	Description	Qty.	Remark
1	00000992	Washer GB/T 894.1-25	2	
2	92048725	Shim	4	
3	92048723	Shim	2	
4	92048770	Pin, Pivot	1	
5		Slave Cylinder Assembly ( <i>Refer to 5-10</i> )	1	

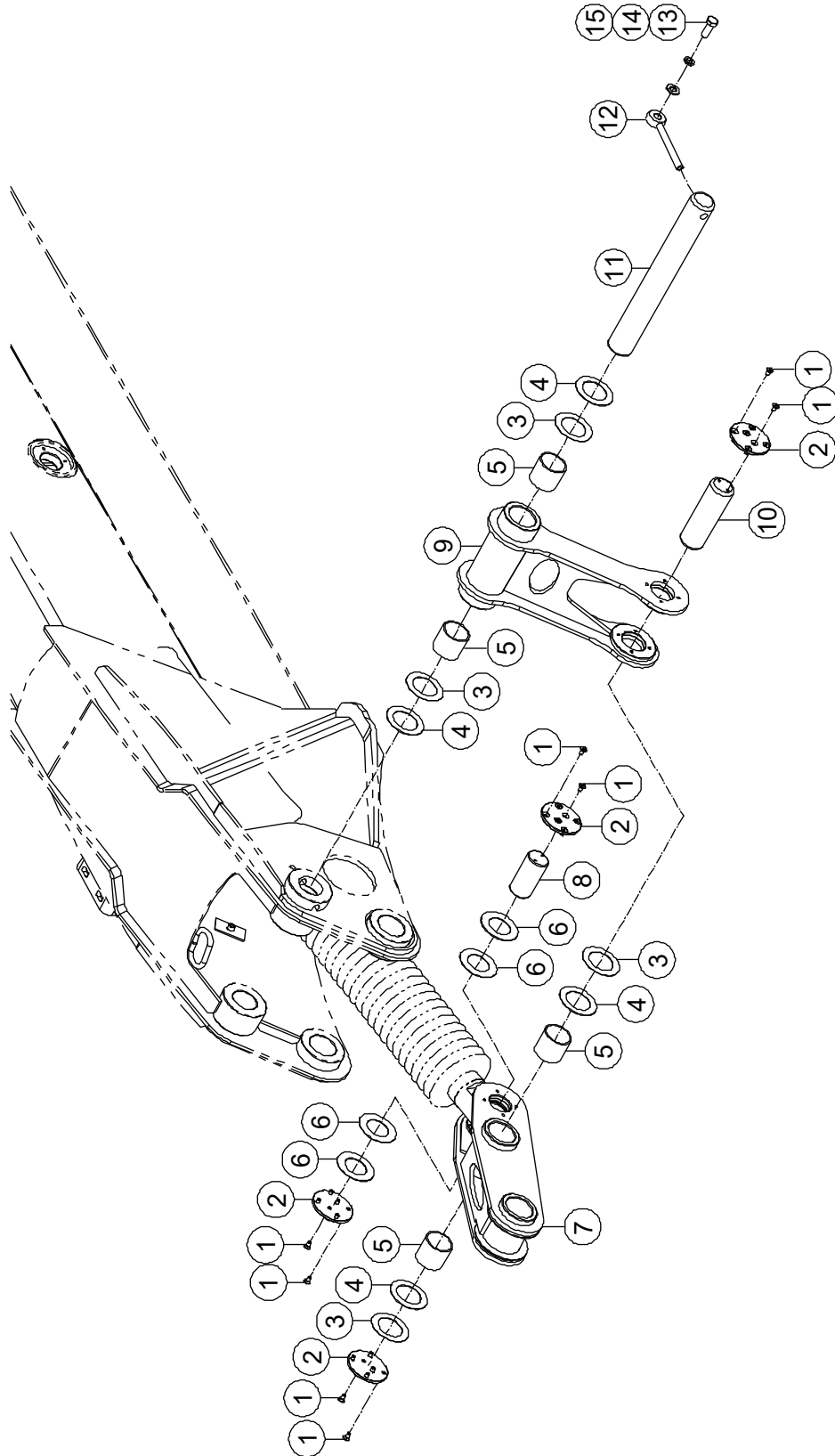
**3-24 Telescopic Boom and Articulating JIB Installations (BT30HRT, BT28HRT, BT26HRT, BT24HRT)**



### 3-24 Telescopic Boom and Articulating JIB Installations (BT30HRT, BT28HRT, BT26HRT, BT24HRT)

Item	Part Number	Description	Qty.	Remark
1	92029593	Shim	2	
2	92029594	Shim	2	
3	92048277	Pin, Pivot	1	
4	00002465	8902-12120 Pin, Lock	1	
5	00002059	Bolt GB/T 5783 M12 × 30	1	
6	00000815	Spring Washer GB/T 93 12	1	
7	00000814	Flat Washer GB/T 97.1 12	1	
8	92049266	Shim	2	
9	92049267	Shim	2	
10	92049264	Pin, Pivot	1	
11	00000220	8902-10080 Pin, Lock	1	
12	00000678	Bolt GB/T 5783 M10 × 25	1	
13	00000679	Spring Washer GB/T 93 10	1	
14	00000615	Flat Washer GB/T 97.1 10	1	
15	00002580	Screw GB/T 70.2 M10×30	1	
16	92001455	Washer	2	
17	92029982	Decal	1	
18	92032070	Decal	1	
19	92029981	Indicator	1	
20	00006418	Nut GB/T 6172.1 M8	1	
21	92100722	Junction	1	
22	92048520	8813-505850 Sleeve Bearing	2	

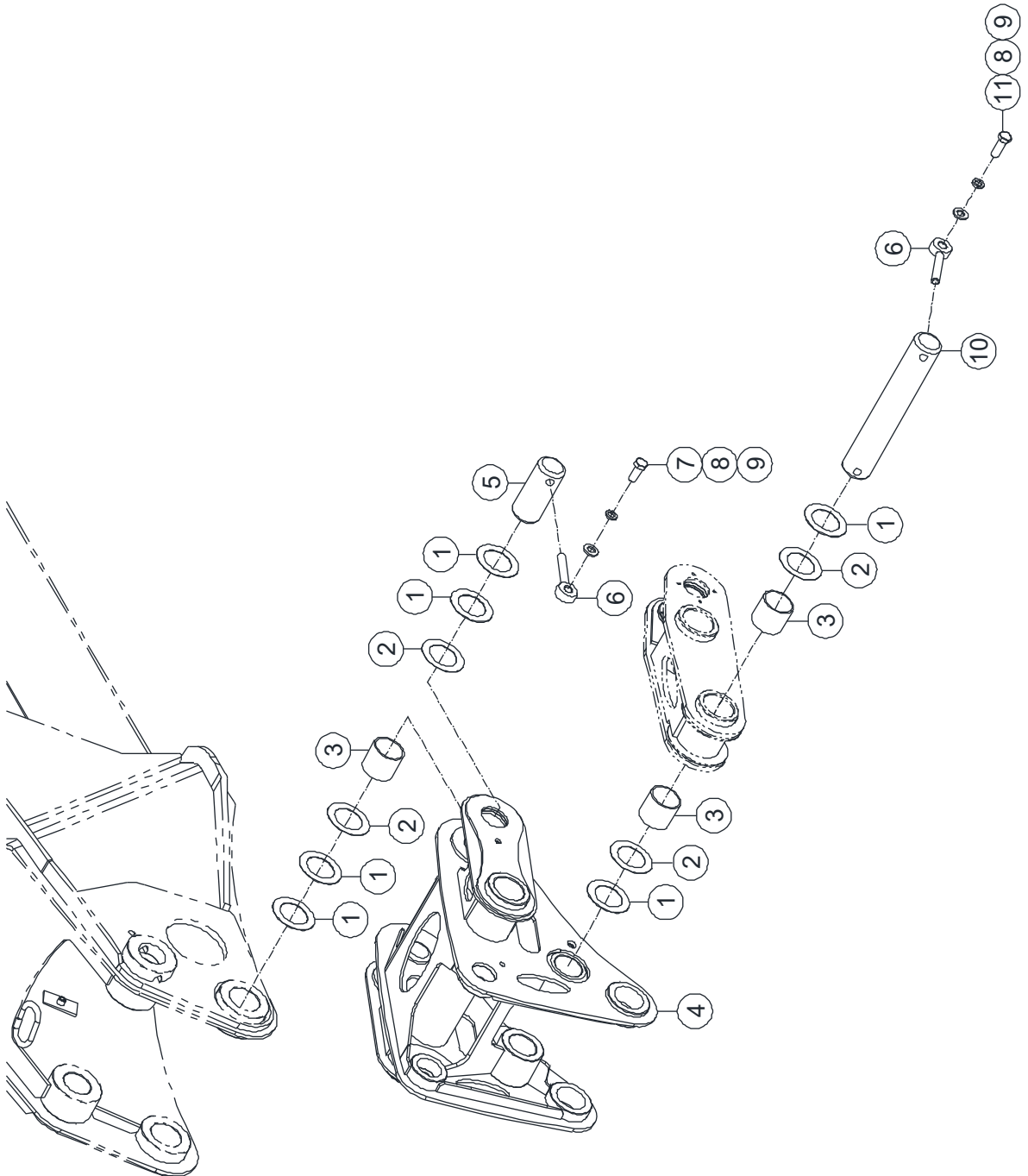
**3-25 Telescopic Boom and Linkage Installations (BT28BHRT, BT26BHRT, BT24BHRT)**



### 3-25 Telescopic Boom and Linkage Installations (BT28BHRT, BT26BHRT, BT24BHRT)

Item	Part Number	Description	Qty.	Remark
1	00000829	Screw GB/T 70.3 M6×12	24	
2	50000448	Cover	4	
3	92030480	Shim	4	
4	92030481	Shim	4	
5	00009659	8813-455045 Sleeve Bearing	4	
6	92029978	Shim	4	
7	92101549	Linkage	1	
8	00009273	893C-40080 Pin, Pivot	1	
9	92101526	Linkage	1	
10	00000472	893C-45137 Pin, Pivot	1	
11	00009656	895-45342 Pin, Pivot	1	
12	00002465	8902-12120 Pin, Lock	1	
13	00002059	Bolt GB/T 5783 M12 × 30	1	
14	00000815	Spring Washer GB/T 93 12	1	
15	00000814	Flat Washer GB/T 97.1 12	1	

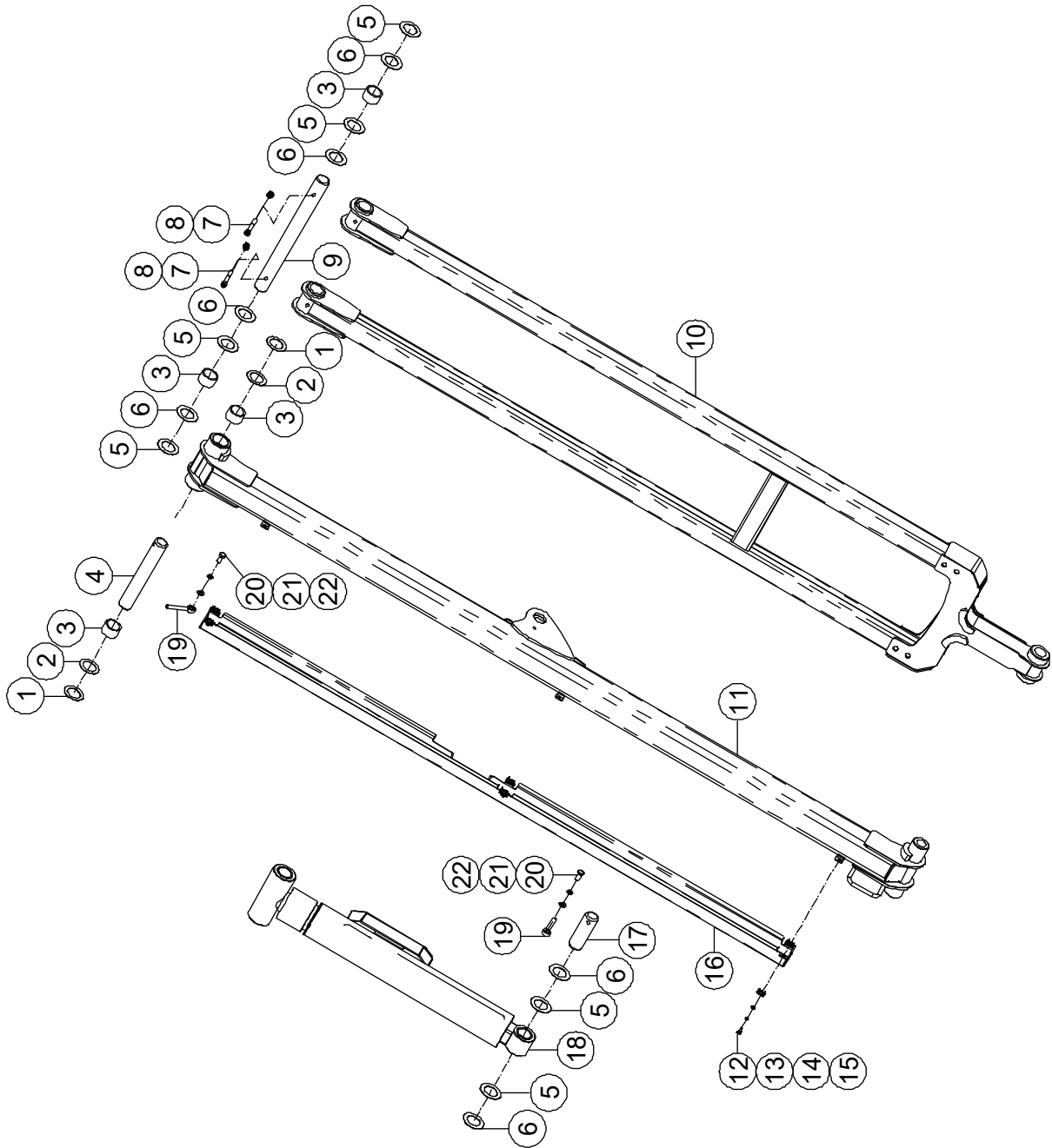
**3-26 Telescopic Boom and Articulating JIB Installations  
(BT28BHRT, BT26BHRT, BT24BHRT)**



**3-26 Telescopic Boom and Articulating JIB Installations  
(BT28BHRT, BT26BHRT, BT24BHRT)**

Item	Part Number	Description	Qty.	Remark
1	92030481	Shim	10	
2	92030480	Shim	6	
3	00009659	8813-455045 Sleeve Bearing	4	
4	92101533	Junction	1	
5	00009655	895-45090 Pin, Pivot	2	
6	00002464	8902-12085 Pin, Lock	4	
7	00002059	Bolt GB/T 5783 M12 × 30	2	
8	00000815	Spring Washer GB/T 93 12	4	
9	00000814	Flat Washer GB/T 97.1 12	4	
10	00009657	897-45245 Pin, Pivot	1	
11	00002046	Bolt GB/T 5783 M12 × 35	2	

**3-27 Articulating JIB Installations (BT30HRT, BT28HRT, BT26HRT, BT24HRT, BT28BHRT, BT26BHRT, BT24BHRT)**

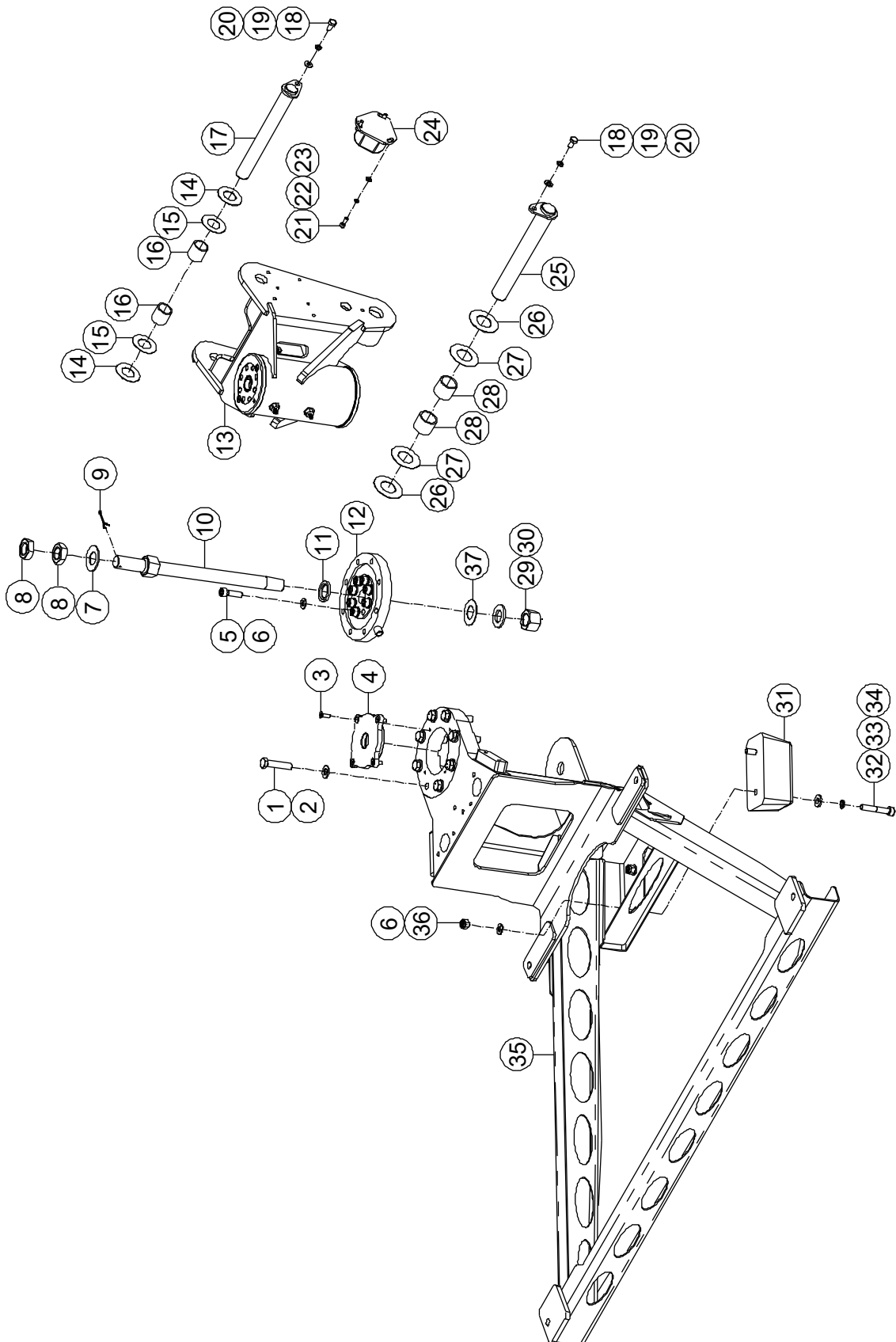




### 3-27 Articulating JIB Installations (BT30HRT, BT28HRT, BT26HRT, BT24HRT, BT28BHRT, BT26BHRT, BT24BHRT)

Item	Part Number	Description	Qty.	Remark
1	92049266	Shim	2	
2	92049267	Shim	2	
3	92048639	8813-404830 Sleeve Bearing	4	
4	92049264	Pin, Pivot	1	
5	92049271	Shim	6	
6	92049272	Shim	6	
7	00002556	Screw GB/T 70 M10 × 70	2	
8	00000623	Nut GB/T 6182 M10	2	
9	92049270	Pin, Pivot	1	
10	92100201	Linker, Lower	1	
11	92100199	Linker, Upper	1	
12	00000818	Bolt GB/T 5783 M6 × 16	6	
13	00000621	Spring Washer GB/T 93 6	6	
14	00000620	Flat Washer GB/T 97.1 6	6	
15	50000112	Nut QC/T 885 M6	6	
16	92049162	Channel	1	
17	92049281	Pin, Pivot	1	
18		JIB Lifting Cylinder Assembly ( <i>Refer to 5-11</i> )	1	
19	00000220	8902-10080 Pin, Lock	2	
20	00000678	Bolt GB/T 5783 M10 × 25	2	
21	00000679	Spring Washer GB/T 93 10	2	
22	00000615	Flat Washer GB/T 97.1 10	2	

### 3-28 Rotate Cylinder Assembly Installations



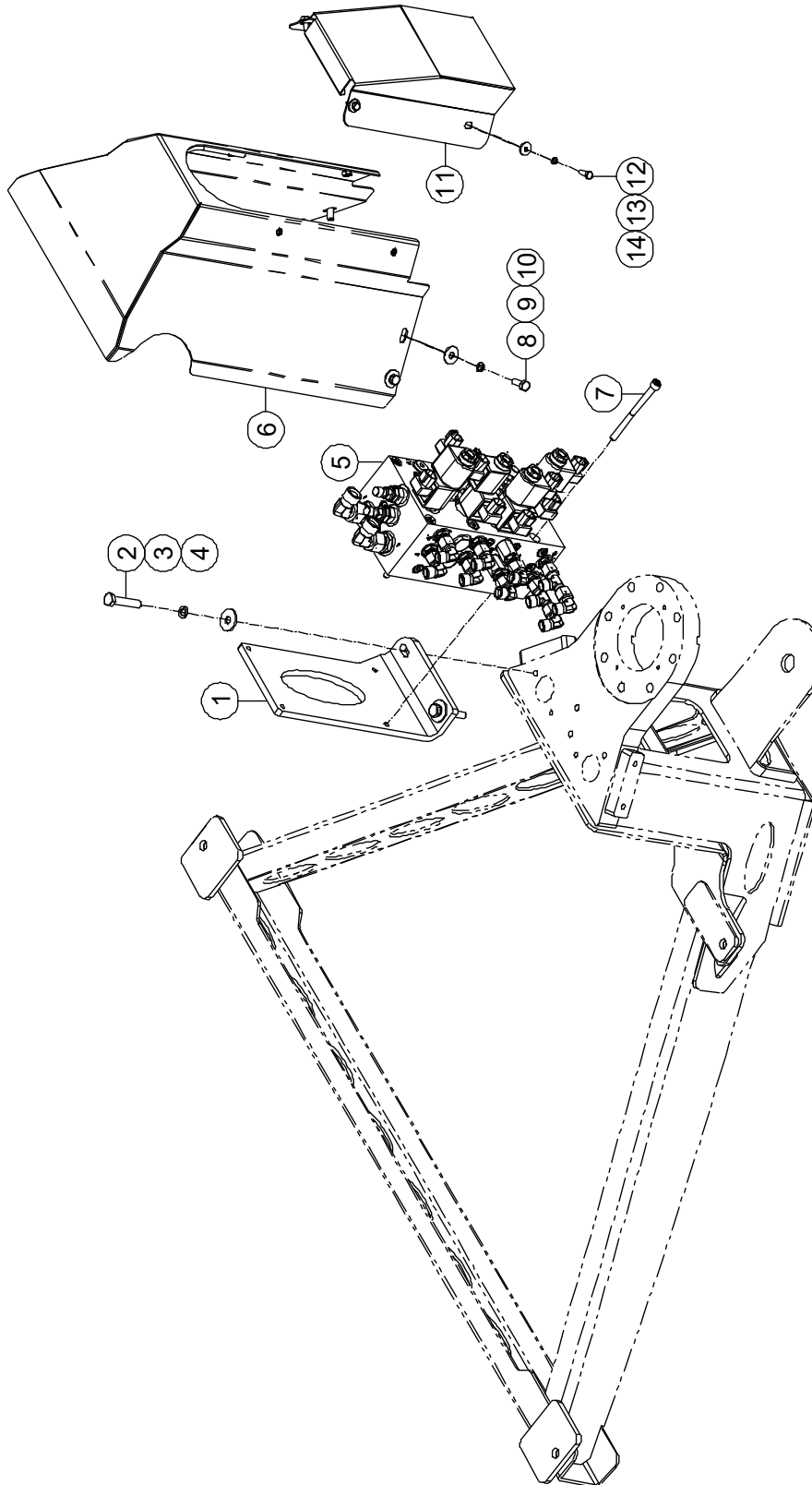
**3-28 Rotate Cylinder Assembly Installations**

Item	Part Number	Description	Qty.	Remark
1	00002923	Bolt GB/T 5783 M12 × 55	8	
2	00000814	Flat Washer GB/T 97.1 12	8	
3	00000831	Screw GB/T 70.3 M6×20	4	
4	92100987	Cover	1	
5	00002238	Screw GB/T 70 M10 × 35	8	
6	00000615	Flat Washer GB/T 97.1 10	12	
7	00007974	Disc Spring B 50 GB/T 1972	1	
8	00007853	Nut GB/T 6173 M24×2	2	
9	00002405	Cotter Pin GB/T 91 4 × 32	1	
10	92100986	Pin, Pivot	1	
11	92100206	Shim	1	
12	00006204	Load Sensor	1	
13	92047710	Rotate Cylinder Assembly	1	
14	92049314	Shim	2	
15	92049308	Shim	2	
16	92048521	8813-253030 Sleeve Bearing	2	
17	92049088	Pin	1	
18	00001063	Bolt GB/T 5783 M8 × 16	2	
19	00000609	Spring Washer GB/T 93 8	2	
20	00000608	Flat Washer GB/T 97.1 8	2	
21	00000876	Screw GB/T 70 M6 × 16	3	
22	00000621	Spring Washer GB/T 93 6	3	
23	00000620	Flat Washer GB/T 97.1 6	3	
24	00008914	Angle sensor	1	BT30HRT BT28HRT BT26HRT BT24HRT BT28BHRT BT26BHRT BT24BHRT Standard, single channel

**3-28 Rotate Cylinder Assembly Installations (Continued)**

Item	Part Number	Description	Qty.	Remark
24	00002916	Angle sensor	1	BT30HRT BT28HRT BT26HRT BT24HRT BT28BHRT BT26BHRT BT24BHRT Optional, dual channel
	00008912	Angle sensor	1	BT30SHRT BT28SHRT BT26SHRT Standard, single channel
25	92049129	Pin	1	
26	92049084	Shim	2	
27	92049081	Shim	2	
28	92049042	8813-303630 Sleeve Bearing	2	
29	00006420	Nut GB/T 6176 M24×2	1	
30	00001159	Flat Washer GB/T 97.1 24	1	
31	10000041	Plate, Rubber	2	
32	00000614	Screw GB/T 70 M10 × 60	4	
33	00000679	Spring Washer GB/T 93 10	4	
34	92100049	Washer	4	
35	92100269	Support	1	
36	00000623	Nut GB/T 6182 M10	4	
37	92101369	Shim	1	

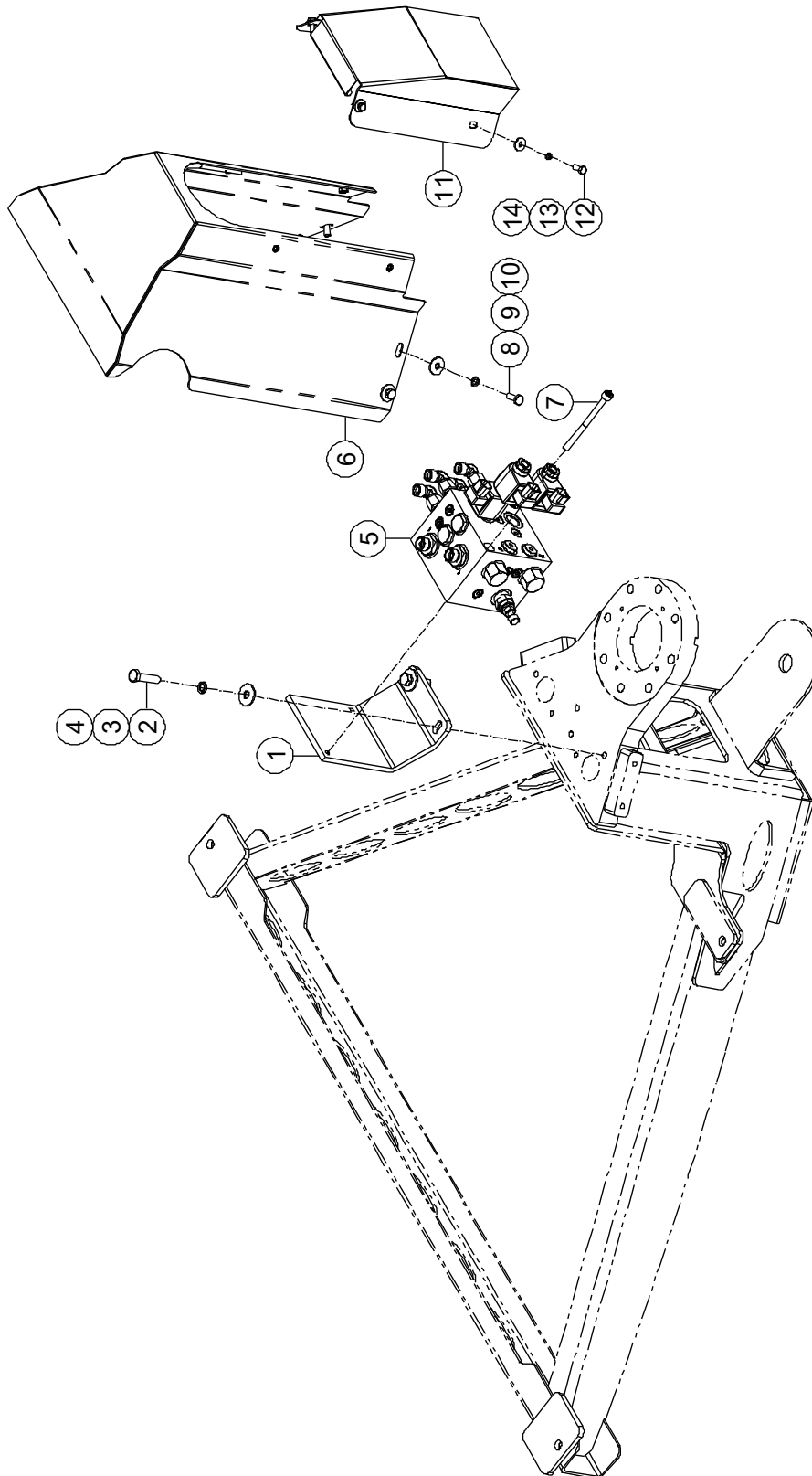
**3-29 Telescopic JIB Valve Block Installations (BT30SHRT, BT28SHRT, BT26SHRT)**



### 3-29 Telescopic JIB Valve Block Installations (BT30SHRT, BT28SHRT, BT26SHRT)

Item	Part Number	Description	Qty.	Remark
1	92000071	Support	1	
2	00001052	Bolt GB/T 5783 M10 × 50	2	
3	00000679	Spring Washer GB/T 93 10	2	
4	00001028	Flat Washer GB/T 96.1 10	2	
5	92048437	Valve Block ( <i>Refer to 3-31</i> )	1	
6	92049154	Housing	1	
7	00002497	Screw GB/T 70 M8 × 100	4	
8	00000875	Bolt GB/T 5783 M8 × 20	4	
9	00000609	Spring Washer GB/T 93 8	4	
10	00002000	Flat Washer GB/T 96.1 8	4	
11	92101000	Housing	1	
12	00000818	Bolt GB/T 5783 M6 × 16	4	
13	00000621	Spring Washer GB/T 93 6	4	
14	00002583	Flat Washer GB/T 96.1 6	4	

**3-30 Articulating JIB Valve Block Installations (BT30HRT, BT28HRT, BT26HRT, BT24HRT, BT28BHRT, BT26BHRT, BT24BHRT)**

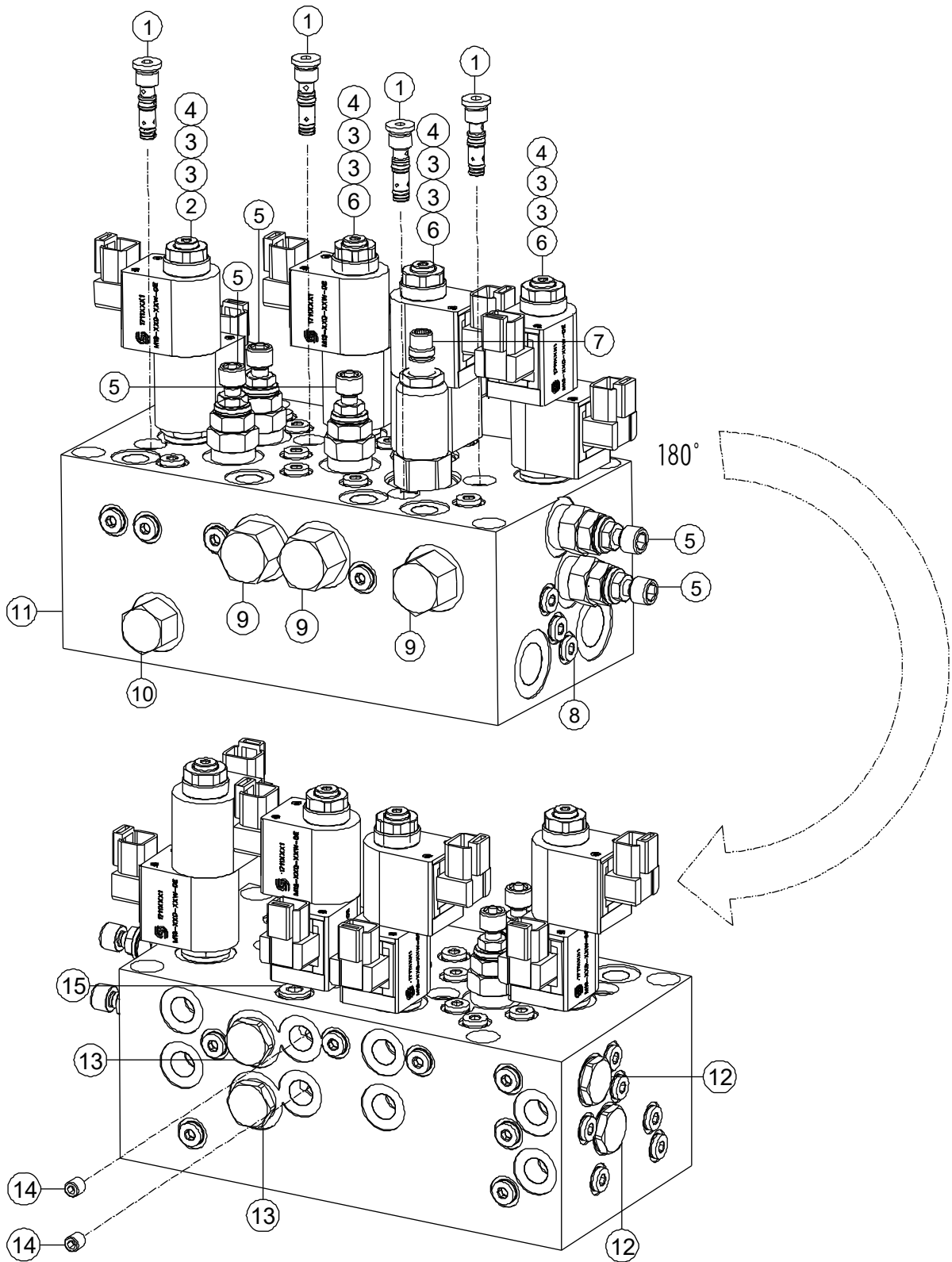


### 3-30 Articulating JIB Valve Block Installations (BT30HRT, BT28HRT, BT26HRT, BT24HRT, BT28BHRT, BT26BHRT, BT24BHRT)

Item	Part Number	Description	Qty.	Remark
1	92000073	Support	1	
2	00001041	Bolt GB/T 5783 M10 × 40	2	
3	00000679	Spring Washer GB/T 93 10	2	
4	00001028	Flat Washer GB/T 96.1 10	2	
5	92049371	Valve Block (Refer to 3-32)	1	
6	92049154	Housing	1	
7	00002497	Screw GB/T 70 M8 × 100	2	
8	00000875	Bolt GB/T 5783 M8 × 20	4	
9	00000609	Spring Washer GB/T 93 8	4	
10	00002000	Flat Washer GB/T 96.1 8	4	
11	92101000	Housing	1	
12	00000818	Bolt GB/T 5783 M6 × 16	4	
13	00000621	Spring Washer GB/T 93 6	4	
14	00002583	Flat Washer GB/T 96.1 6	4	



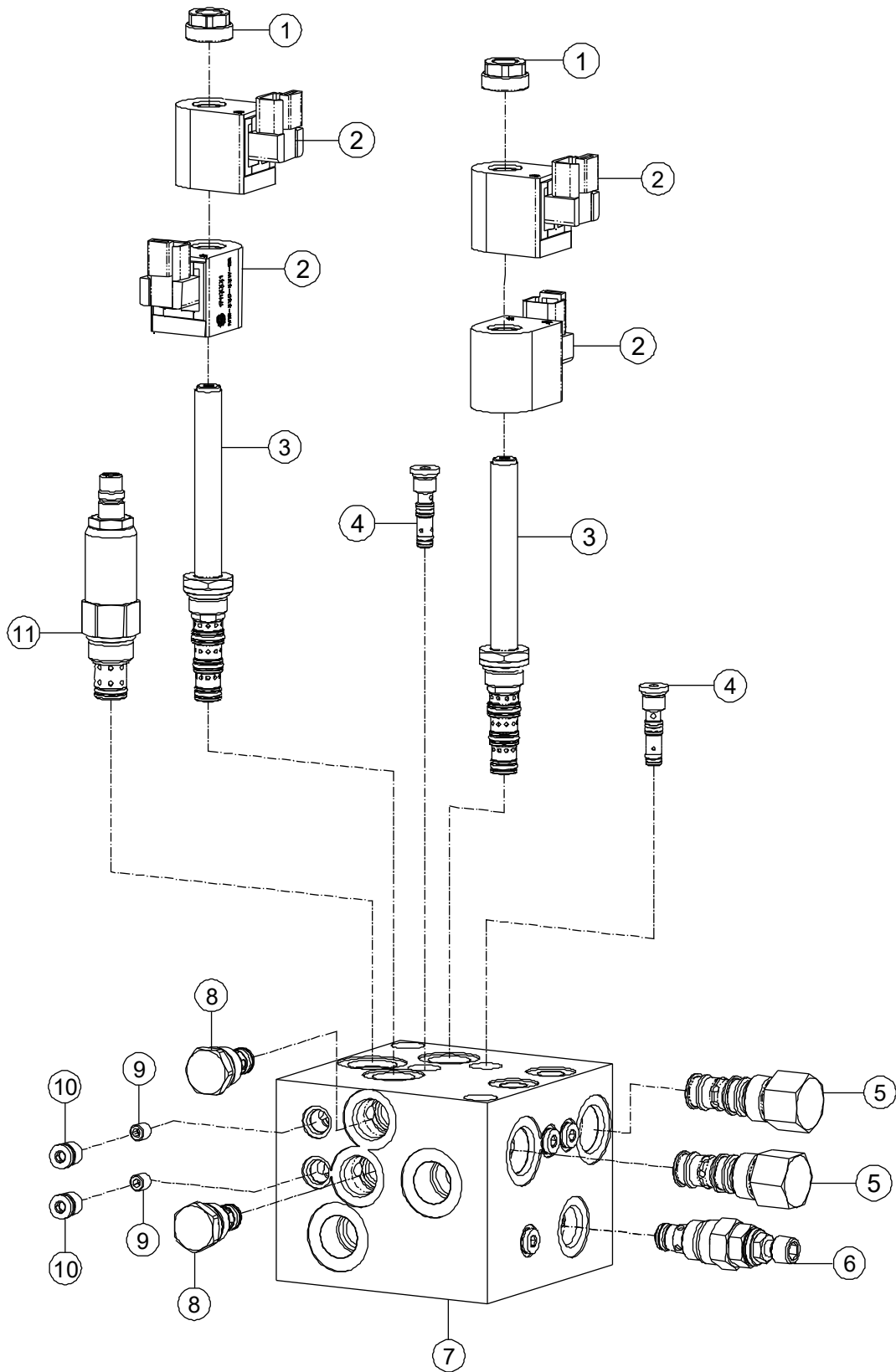
3-31 Valve Block (BT30SHRT, BT28SHRT, BT26SHRT)



**3-31 Valve Block (BT30SHRT, BT28SHRT, BT26SHRT)**

Item	Part Number	Description	Qty.	Remark
1	00003291	Cartridge, Shuttle Valve	4	
2	00003678	Cartridge, Solenoid Valve	1	
3	00003320	Coil	8	
4	00003352	Nut	4	
5	00006944	Cartridge, Relief Valve	5	
6	00006088	Cartridge, Proportional Valve	3	
7	00003591	Cartridge, Relief Valve	1	
8	00004342	Plug	30	
9	00003306	Logic Element	3	
10	00006949	Cartridge, Flow Control Valve	1	
11	00006942	Body	1	
12	00006951	Cartridge, Pilot Operated Check Valve	2	
13	00003589	Cartridge, Check Valve	2	
14	00003358	Orifice	2	
15	00004343	Plug	2	

**3-32 Valve Block (BT30HRT, BT28HRT, BT26HRT, BT24HRT, BT28BHRT, BT26BHRT, BT24BHRT)**

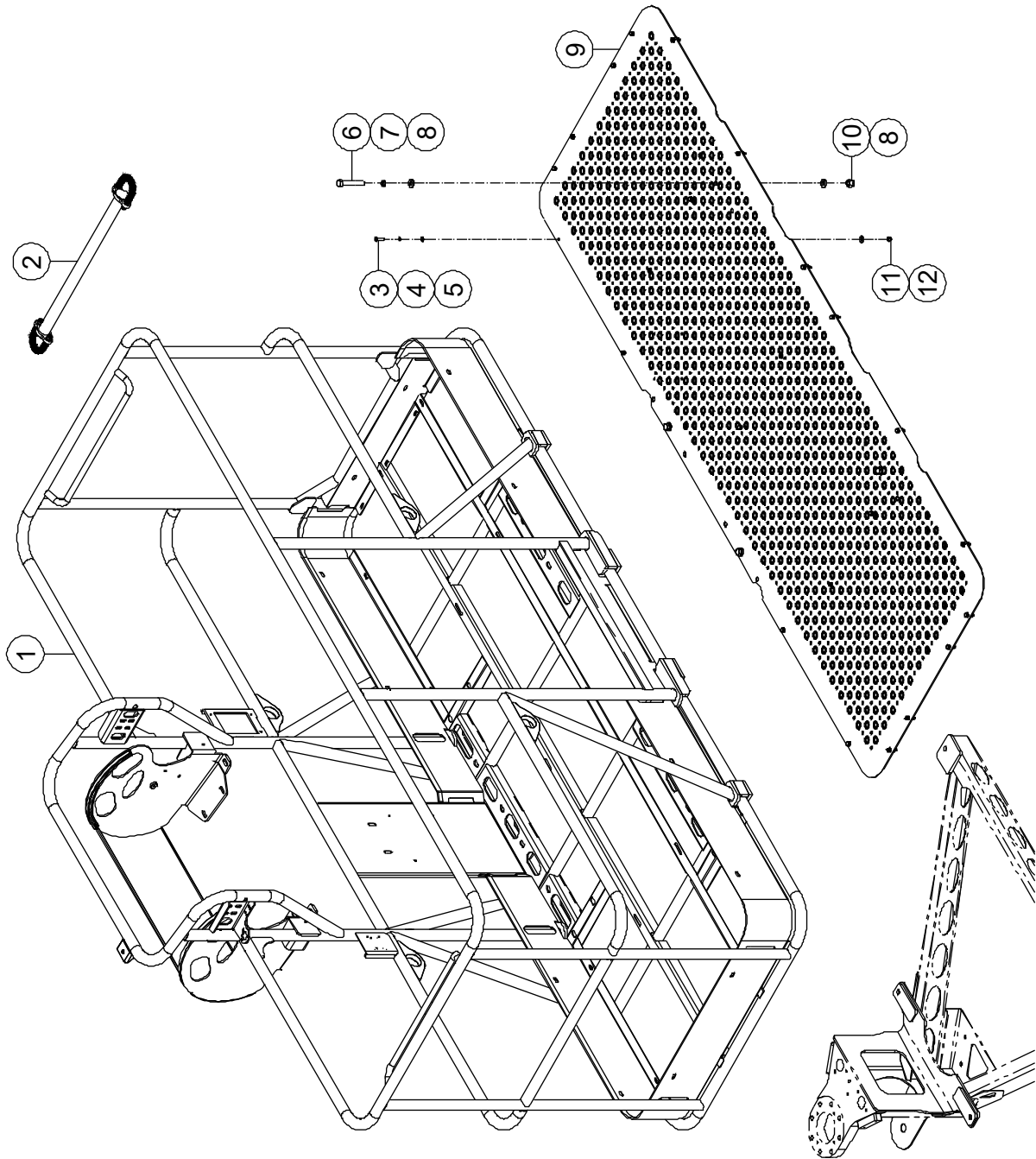


**3-32 Valve Block (BT30HRT, BT28HRT, BT26HRT, BT24HRT,  
BT28BHRT, BT26BHRT, BT24BHRT)**

Item	Part Number	Description	Qty.	Remark
1	00003352	Nut	2	
2	00003320	Coil	4	
3	00006088	Cartridge, Proportional Valve	2	
4	00003291	Cartridge, Shuttle Valve	2	
5	00003306	Logic Element	2	
6	00006944	Cartridge, Relief Valve	1	
7	00006940	Body	1	
8	00003589	Cartridge, Check Valve	2	
9	00003358	Orifice	2	
10	00004342	Plug	8	
11	00003591	Cartridge, Relief Valve	1	

# Section 4 Platform

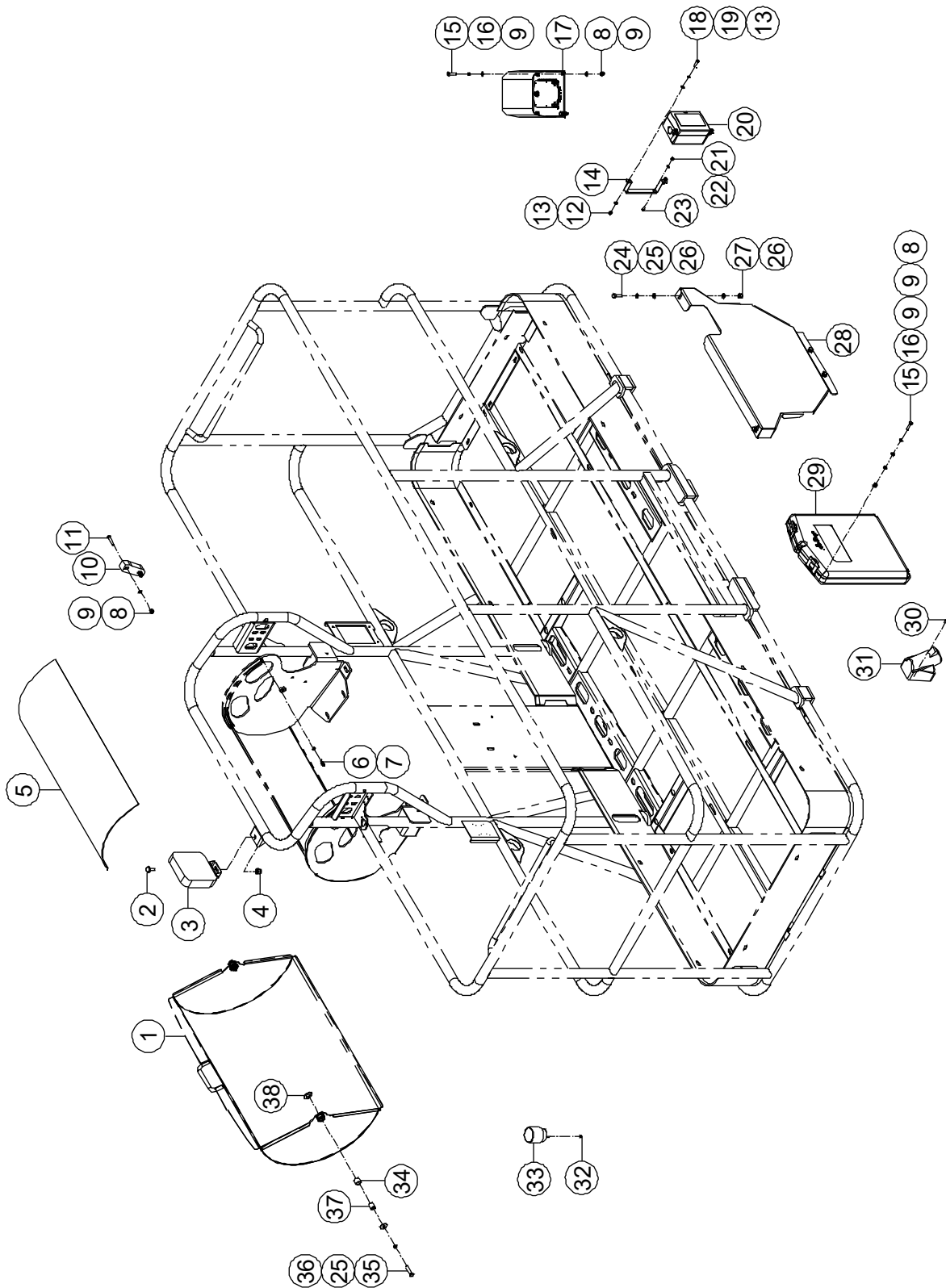
### 4-1 Platform Installations



**4-1 Platform Installations**

Item	Part Number	Description	Qty.	Remark
1	92100287	Platform	1	
2		Gate Assembly (Refer to 4-3)	2	
3	00000619	Bolt GB/T 5783 M6 × 25	24	
4	00000621	Spring Washer GB/T 93 6	24	
5	00000620	Flat Washer GB/T 97.1 6	24	
6	00002527	Bolt GB/T 5782 M12 × 80	4	
7	00000815	Spring Washer GB/T 93 12	4	
8	00000814	Flat Washer GB/T 97.1 12	8	
9	92100316	Deck Plate	1	
10	00001249	Nut GB/T 6182 M12	4	
11	00001033	Nut GB/T 6182 M6	24	
12	00002583	Flat Washer GB/T 96.1 6	24	

### 4-2 Platform Assembly





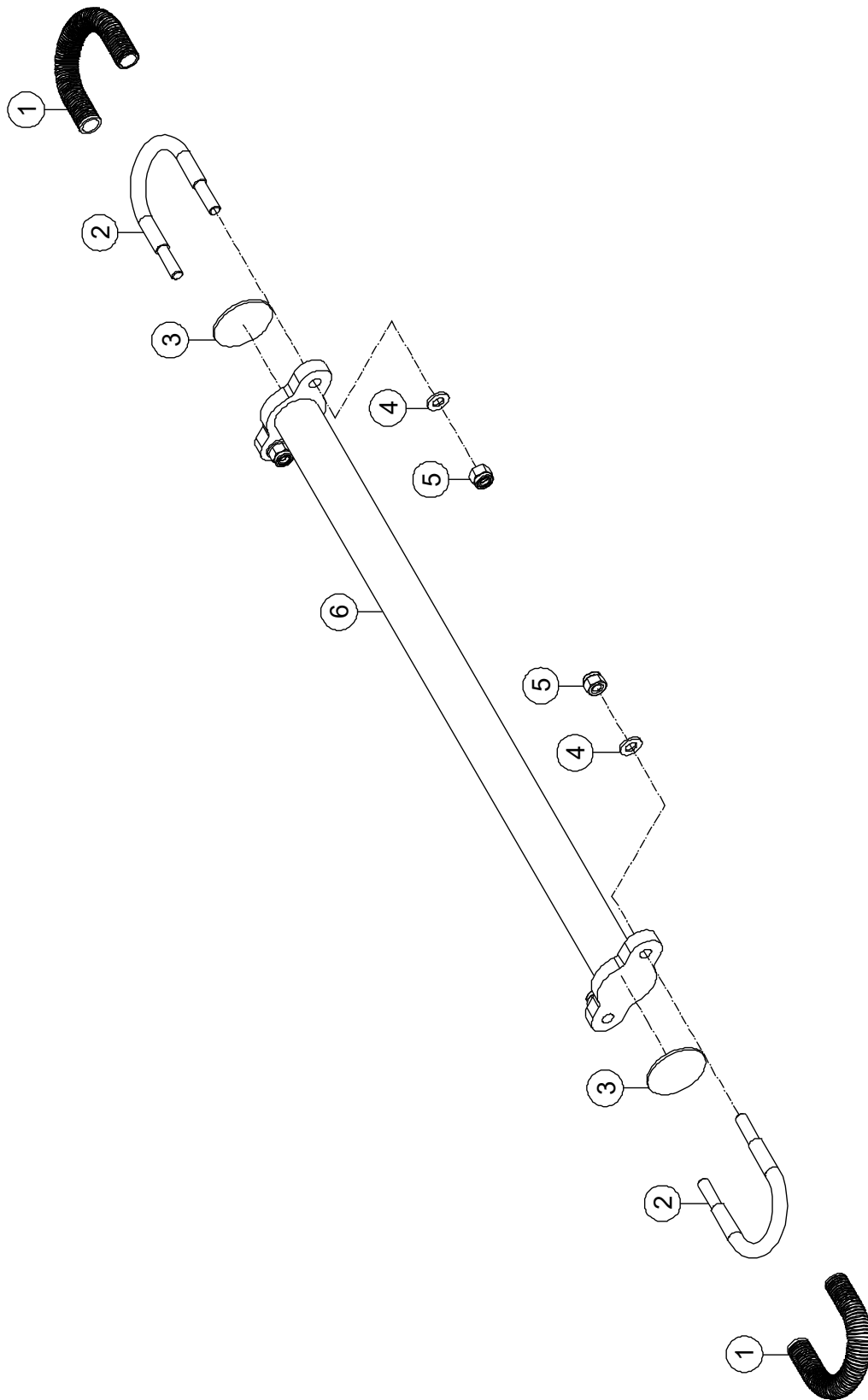
**4-2 Platform Assembly**

Item	Part Number	Description	Qty.	Remark
1	92000051	Shield	1	
2	00000674	Bolt GB/T 5783 M10 × 20	1	
3	00006753	Head Light	1	
4	00000623	Nut GB/T 6182 M10	1	
5	92000228	Shield, Plastic	1	
6	00001030	Screw GB/T 70 M5 × 10	2	
7	00000688	Nut GB/T 6170 M5	2	
8	00001033	Nut GB/T 6182 M6	12	
9	00000620	Flat Washer GB/T 97.1 6	20	
10	92000057	Plate, Limit	2	
11	00000863	Screw GB/T 70.3 M6×35	4	
12	00000613	Nut GB/T 6182 M5	4	
13	00000605	Flat Washer GB/T 97.1 5	8	
14	92000223	Plate	2	
15	00000619	Bolt GB/T 5783 M6 × 25	8	
16	00000621	Spring Washer GB/T 93 6	8	
17	00005212	Footswitch	1	
18	00002268	Bolt GB/T 5783 M5 × 20	4	
19	00000606	Spring Washer GB/T 93 5	4	
20	00000668	Electrical Outlet	1	
21	00001236	Nut GB/T 889.1 M4	2	
22	00000778	Flat Washer GB/T 97.1 4	2	
23	00002414	Screw GB/T 818 M4 × 12 - H	2	
24	00000993	Bolt GB/T 5783 M8 × 25	4	
25	00000609	Spring Washer GB/T 93 8	6	
26	00000608	Flat Washer GB/T 97.1 8	8	
27	00001163	Nut GB/T 6182 M8	4	
28	92000050	Plate, Decal	1	
29	50000555	Box, Manual	1	

**4-2 Platform Assembly (Continued)**

Item	Part Number	Description	Qty.	Remark
30	00001003	Screw GB/T 973 M4×12	4	
31	00002933	Electrical Outlet	1	Alternative
	00002709	Electrical Outlet	1	
32	00003700	Nut GB/T 889.1 M3	3	
33	00005190	Beacon	1	
34	92030523	Bushing	2	
35	00002488	Bolt GB/T 5783 M8 × 35	2	
36	00002000	Flat Washer GB/T 96.1 8	2	
37	92030530	Axes	2	
38	92030152	Washer	2	

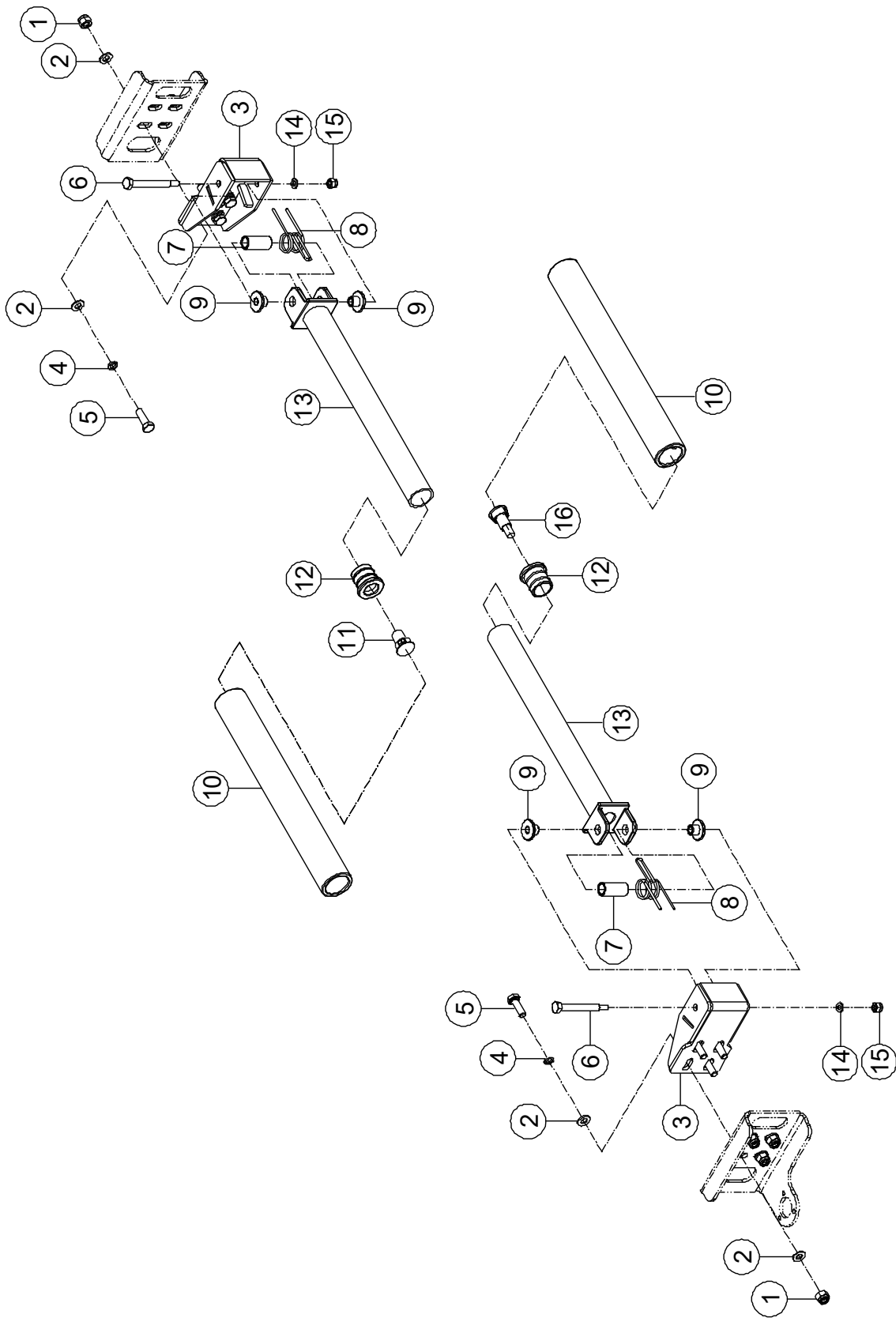
### 4-3 Gate Assembly



**4-3 Gate Assembly**

Item	Part Number	Description	Qty.	Remark
1	92100232	Jacket	2	
2	92100228	Clamp	2	
3	92100249	Anti-Scratch	2	
4	00000608	Flat Washer GB/T 97.1 8	4	
5	00001163	Nut GB/T 6182 M8	4	
6	92100229	Gate, Lift	1	

### 4-4 Lift Guard Contact Alarm

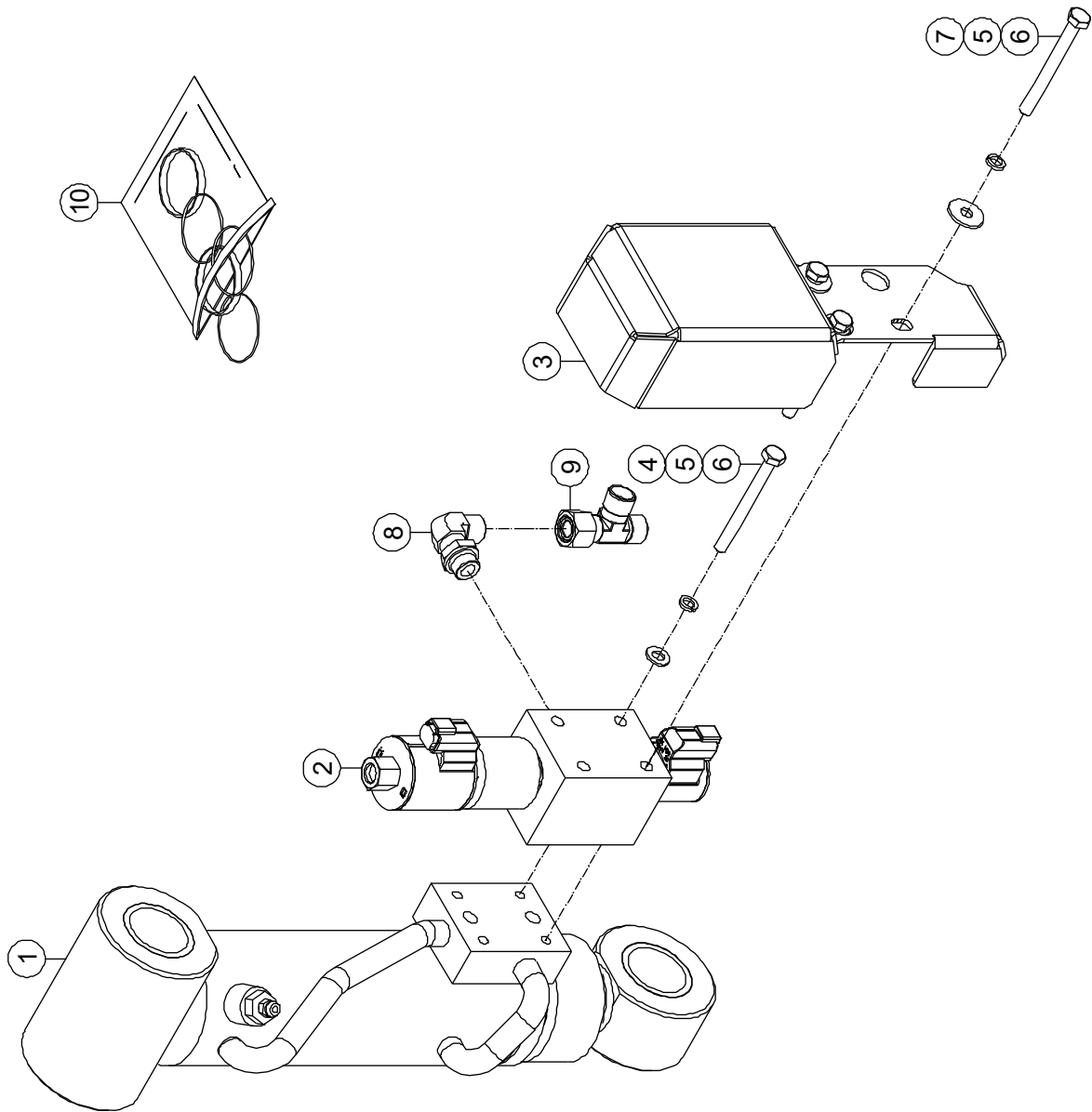


**4-4 Lift Guard Contact Alarm**

Item	Part Number	Description	Qty.	Remark
1	00001163	Nut GB/T 6182 M8	8	
2	00000608	Flat Washer GB/T 97.1 8	16	
3	92000231	Bracket, Contact Alarm	2	
4	00000609	Spring Washer GB/T 93 8	8	
5	00000993	Bolt GB/T 5783 M8 × 25	8	
6	92000239	Pin	2	
7	92000238	Tube	2	
8	92000237	Spring	2	
9	92000236	JDBB-1013 Bearing	4	
10	92000253	Jacket, Foam	2	
11	00006226	Magnet	1	
12	92000243	Plug, Nylon	2	
13	92000240	Tube, Contact Alarm	2	
14	00000620	Flat Washer GB/T 97.1 6	2	
15	00001033	Nut GB/T 6182 M6	2	
16	00006225	Door Magnetic Switch	1	

# Section 5 Cylinder

### 5-1 Left Axle Lockout Cylinder Assembly

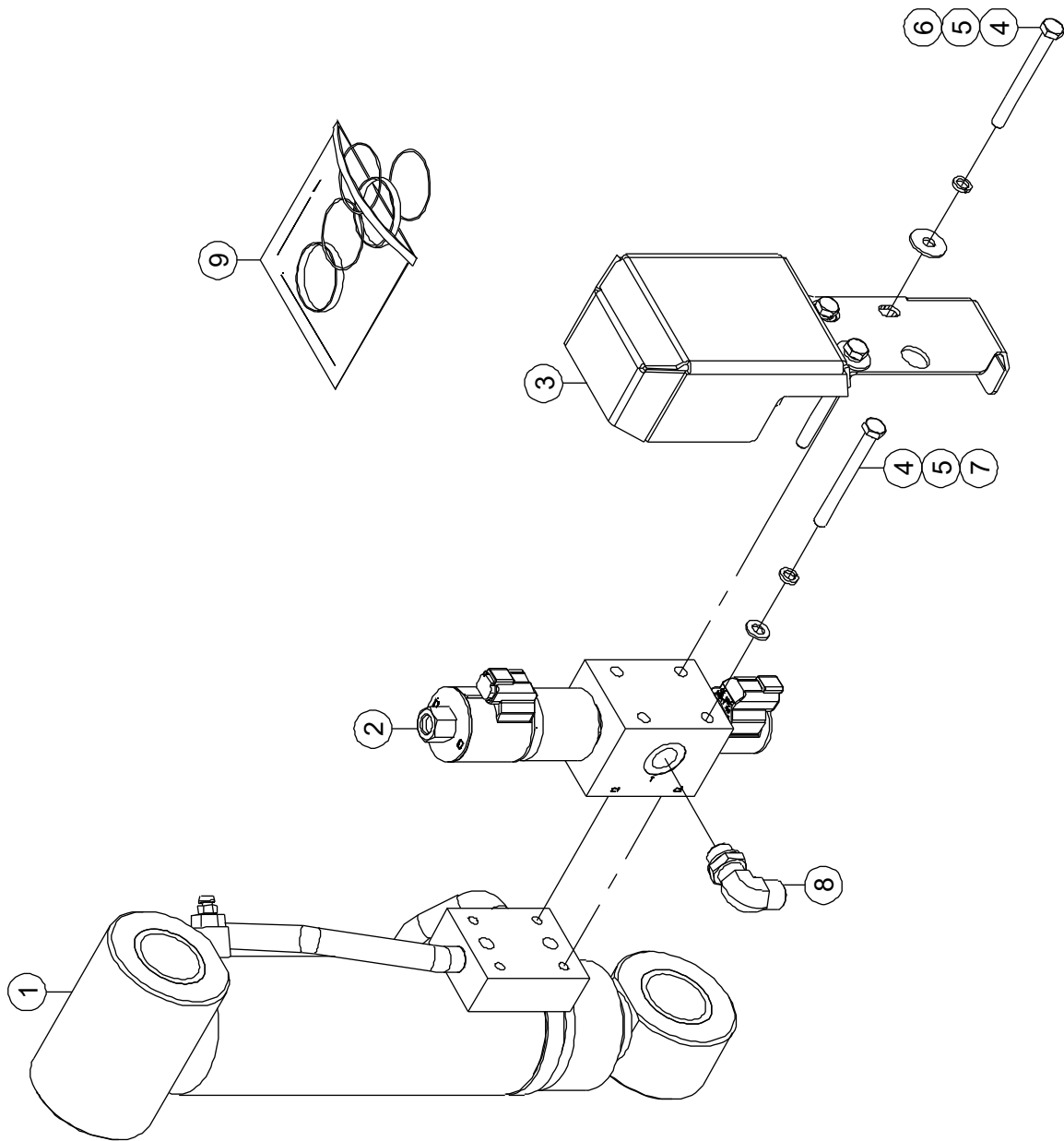




**5-1 Left Axle Lockout Cylinder Assembly**

Item	Part Number	Description	Qty.	Remark
1	92049293	Left Axle Lockout Cylinder Assembly	1	
2	92047788	Valve	1	
3	92049302	Protective Guard	1	
4	00000608	Flat Washer GB/T 97.1 8	2	
5	00000609	Spring Washer GB/T 93 8	4	
6	00001026	Bolt GB/T 5782 M8 × 80	4	
7	00002000	Flat Washer GB/T 96.1 8	2	
8	00004922	Fitting, 90°	1	
9	00001239	Fitting, Tee	1	
10	92050380	Seal Kit 70/45	1	

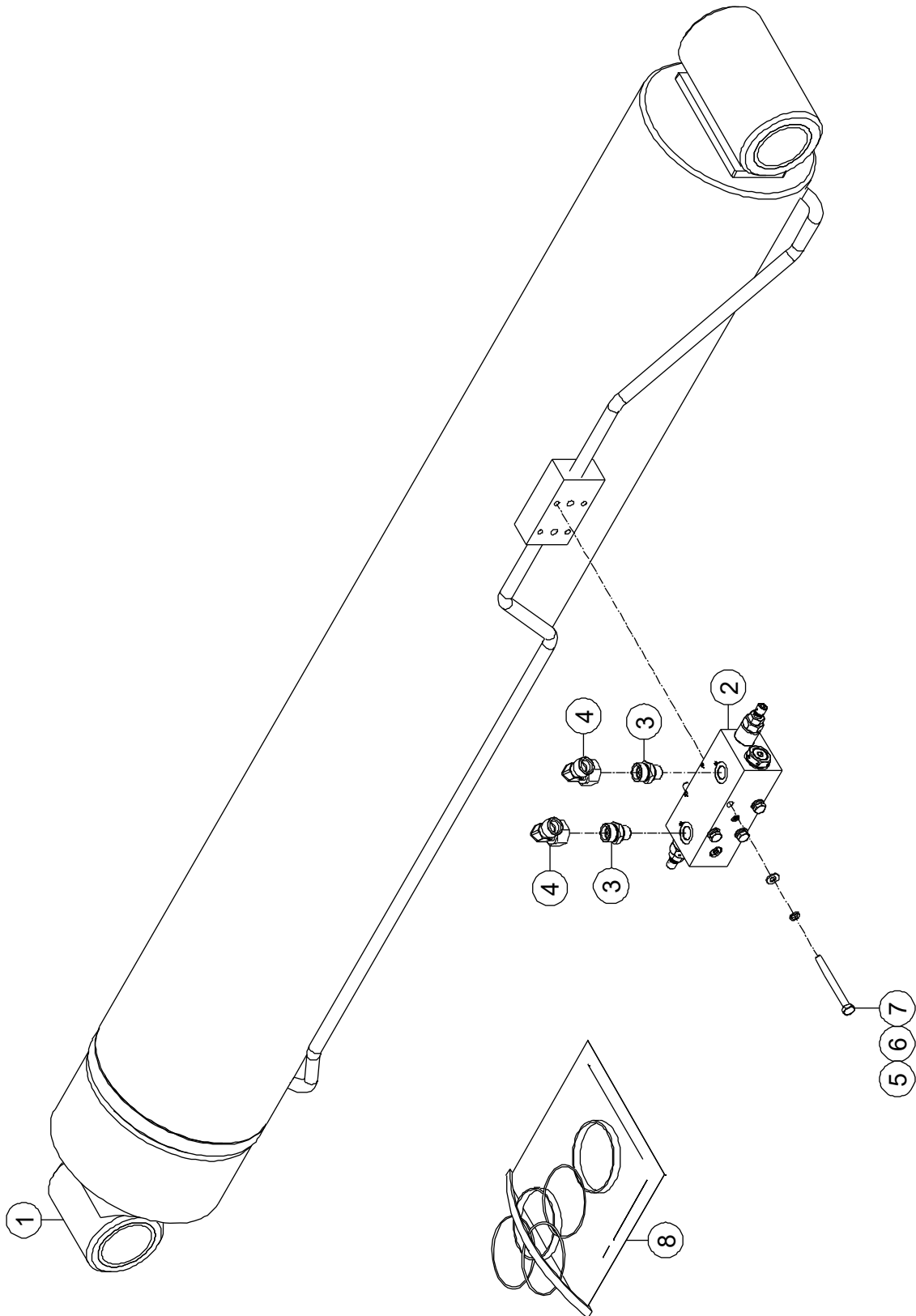
### 5-2 Right Axle Lockout Cylinder Assembly



**5-2 Right Axle Lockout Cylinder Assembly**

Item	Part Number	Description	Qty.	Remark
1	92049300	Right Axle Lockout Cylinder Assembly	1	
2	92047789	Valve	1	
3	92049303	Protective Guard	1	
4	00001026	Bolt GB/T 5782 M8 × 80	4	
5	00000609	Spring Washer GB/T 93 8	4	
6	00002000	Flat Washer GB/T 96.1 8	2	
7	00000608	Flat Washer GB/T 97.1 8	2	
8	00004922	Fitting, 90°	1	
9	92050380	Seal Kit 70/45	1	

### 5-3 Lifting Cylinder Assembly



**5-3 Lifting Cylinder Assembly**

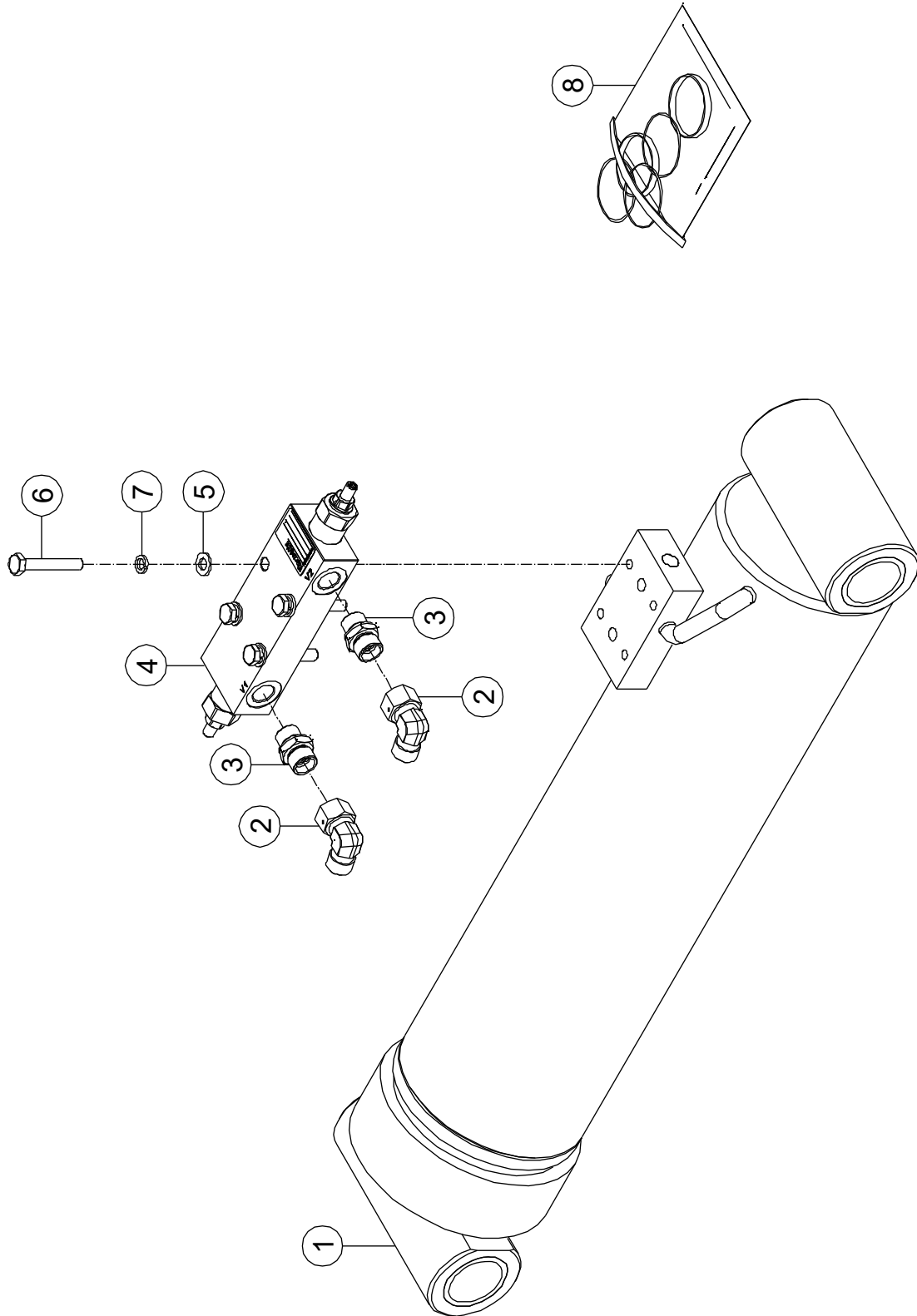
Item	Part Number	Description	Qty.	Remark
1	92048660	Lifting Cylinder Assembly	1	
2	92102189	Valve	1	
3	00001507	Fitting, Straight	2	
4	00001835	Fitting, 90°	2	
5	00000608	Flat Washer GB/T 97.1 8	4	
6	00000609	Spring Washer GB/T 93 8	4	
7	00006728	Bolt GB/T 5782 M8 × 85	4	
8	92050879	Seal Kit 195/120	1	



**5-4 Telescopic Cylinder Assembly**

Item	Part Number	Description	Qty.	Remark
1	00000847	Screw GB/T 70.3 M10×30	8	
2	92029678	Sliding Block	4	
3	92029585	Shim	8	
4	92100222	Pulley Bearing	2	
5	92100220	Spacer	1	
6	92029570	Lock	2	
7	00000815	Spring Washer GB/T 93 12	4	
8	00001852	Screw GB/T 70 M12 × 55	4	
9	92029583	Pin	1	
10	92100219	Spacer	2	
11	92000193	Bracket, Nylon	1	
12	00006412	Screw GB/T 70 M8 × 115	2	
13	00001163	Nut GB/T 6182 M8	2	
14	92000192	Bracket, Nylon	1	
15	00000608	Flat Washer GB/T 97.1 8	4	
16	92055442	Valve	1	
17	00006415	Screw GB/T 70 M8 × 60	4	
18	92048618	Fitting, Straight	1	
19	92048595	Fitting, Straight	1	
20	00001506	Fitting, Straight	2	
21	00001835	Fitting, 90°	2	
22	92101269	Telescopic Cylinder Assembly	1	BT30HRT
	92055323	Telescopic Cylinder Assembly	1	BT30SHRT BT28HRT BT28BHRT
	92100088	Telescopic Cylinder Assembly	1	BT28SHRT BT26HRT BT26BHRT
	92049339	Telescopic Cylinder Assembly	1	BT26SHRT BT24HRT BT24BHRT
23	92051313	Seal Kit 95/75	1	

**5-5 JIB Leveling Cylinder Assembly (BT30HRT, BT28HRT, BT26HRT, BT24HRT, BT30SHRT, BT28SHRT, BT26SHRT)**

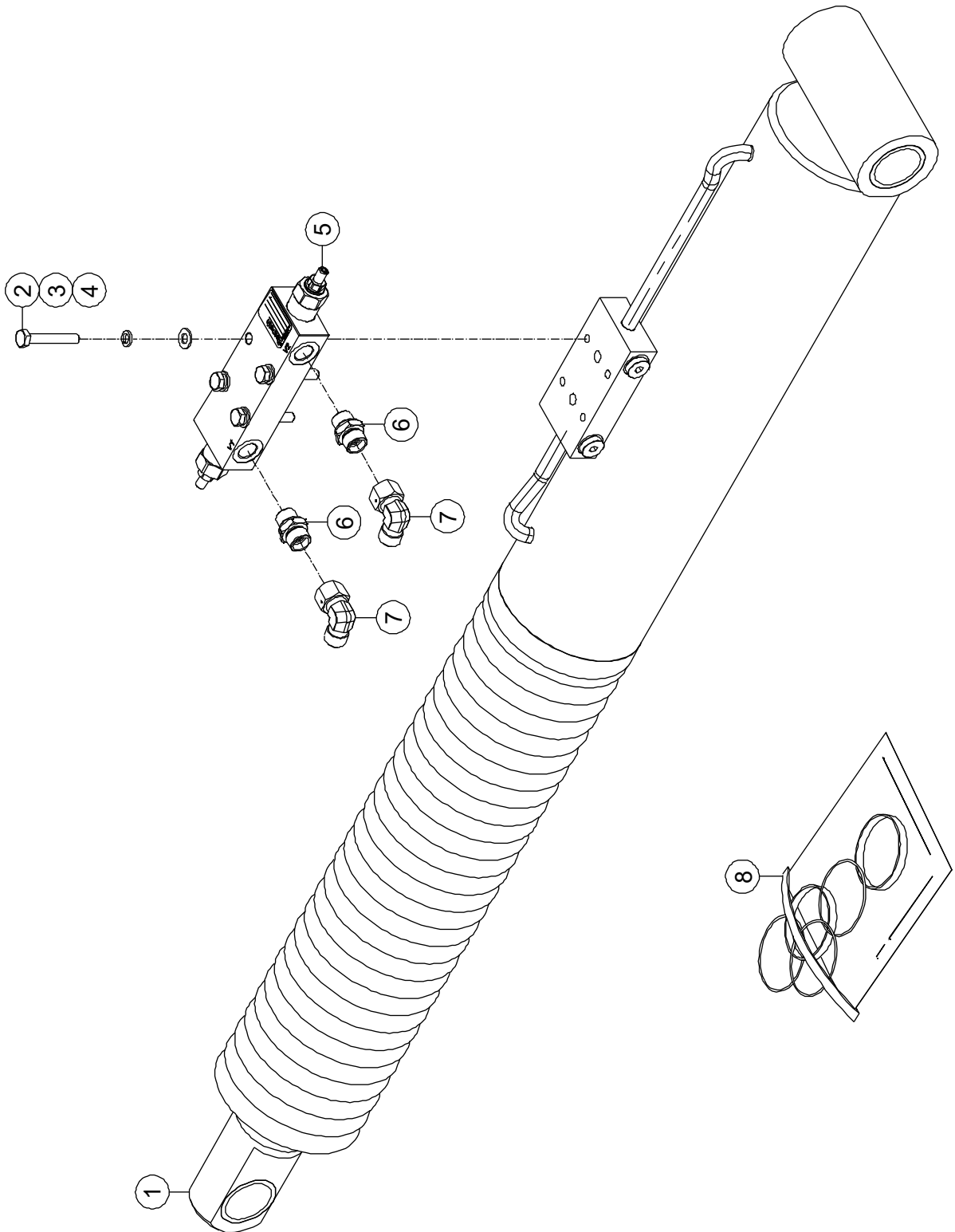




**5-5 JIB Leveling Cylinder Assembly (BT30HRT, BT28HRT,  
BT26HRT, BT24HRT, BT30SHRT, BT28SHRT, BT26SHRT)**

Item	Part Number	Description	Qty.	Remark
1	92048642	JIB Leveling Cylinder Assembly	1	
2	00001834	Fitting, 90°	2	
3	00001501	Fitting, Straight	2	
4	92000252	Valve	1	
5	00000608	Flat Washer GB/T 97.1 8	4	
6	00003607	Bolt GB/T 5783 M8 × 50	4	
7	00000609	Spring Washer GB/T 93 8	4	
8	92051465	Seal Kit 120/80	1	

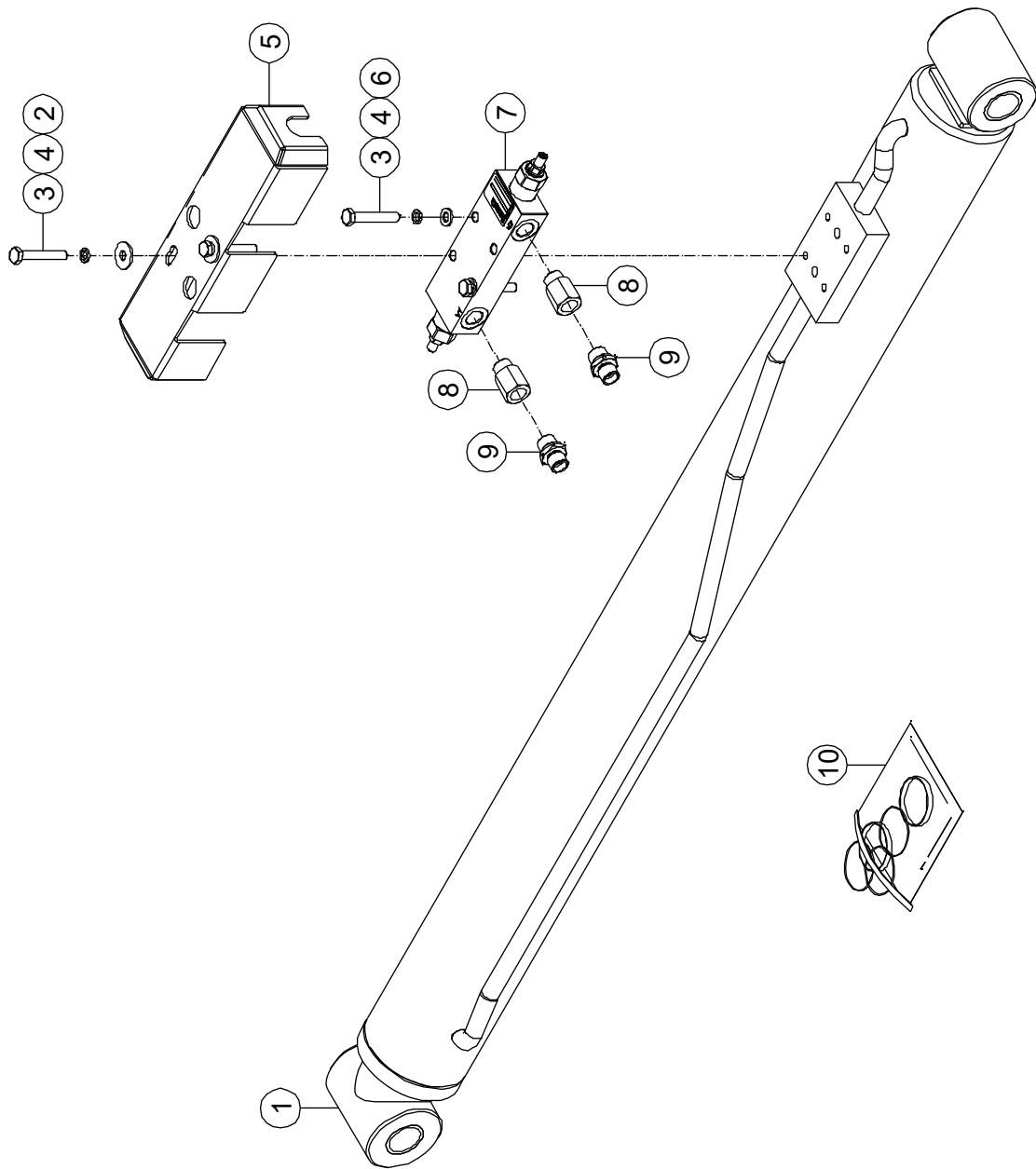
**5-6 JIB Leveling Cylinder Assembly (BT28BHRT, BT26BHRT, BT24BHRT)**



**5-6 JIB Leveling Cylinder Assembly (BT28BHRT, BT26BHRT, BT24BHRT)**

Item	Part Number	Description	Qty.	Remark
1	92101580	JIB Leveling Cylinder Assembly	1	
2	00003607	Bolt GB/T 5783 M8 × 50	4	
3	00000609	Spring Washer GB/T 93 8	4	
4	00000608	Flat Washer GB/T 97.1 8	4	
5	92000252	Valve	1	
6	00001501	Fitting, Straight	2	
7	00001834	Fitting, 90°	2	
8	92101610	Seal Kit 110/63	1	

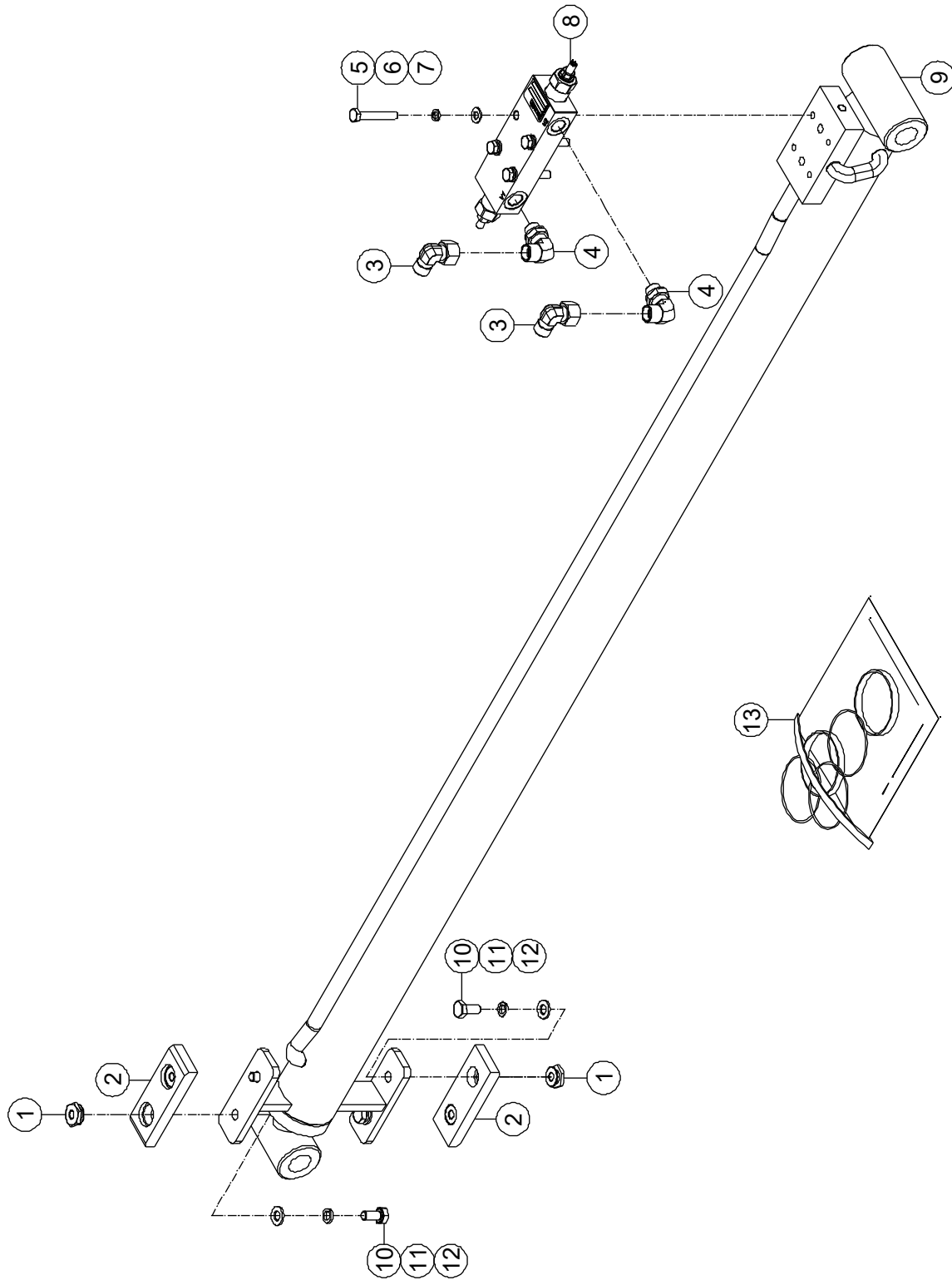
**5-7 JIB Lifting Cylinder Assembly (BT30SHRT, BT28SHRT, BT26SHRT)**



**5-7 JIB Lifting Cylinder Assembly (BT30SHRT, BT28SHRT, BT26SHRT)**

Item	Part Number	Description	Qty.	Remark
1	92049033	JIB Lifting Cylinder Assembly	1	
2	00002000	Flat Washer GB/T 96.1 8	2	
3	00003607	Bolt GB/T 5783 M8 × 50	4	
4	00000609	Spring Washer GB/T 93 8	4	
5	92048518	Cover	1	
6	00000608	Flat Washer GB/T 97.1 8	2	
7	92049338	Valve	1	
8	92048453	Fitting, Straight	2	
9	00001499	Fitting, Straight	2	
10	92051910	Seal Kit 90/70	1	

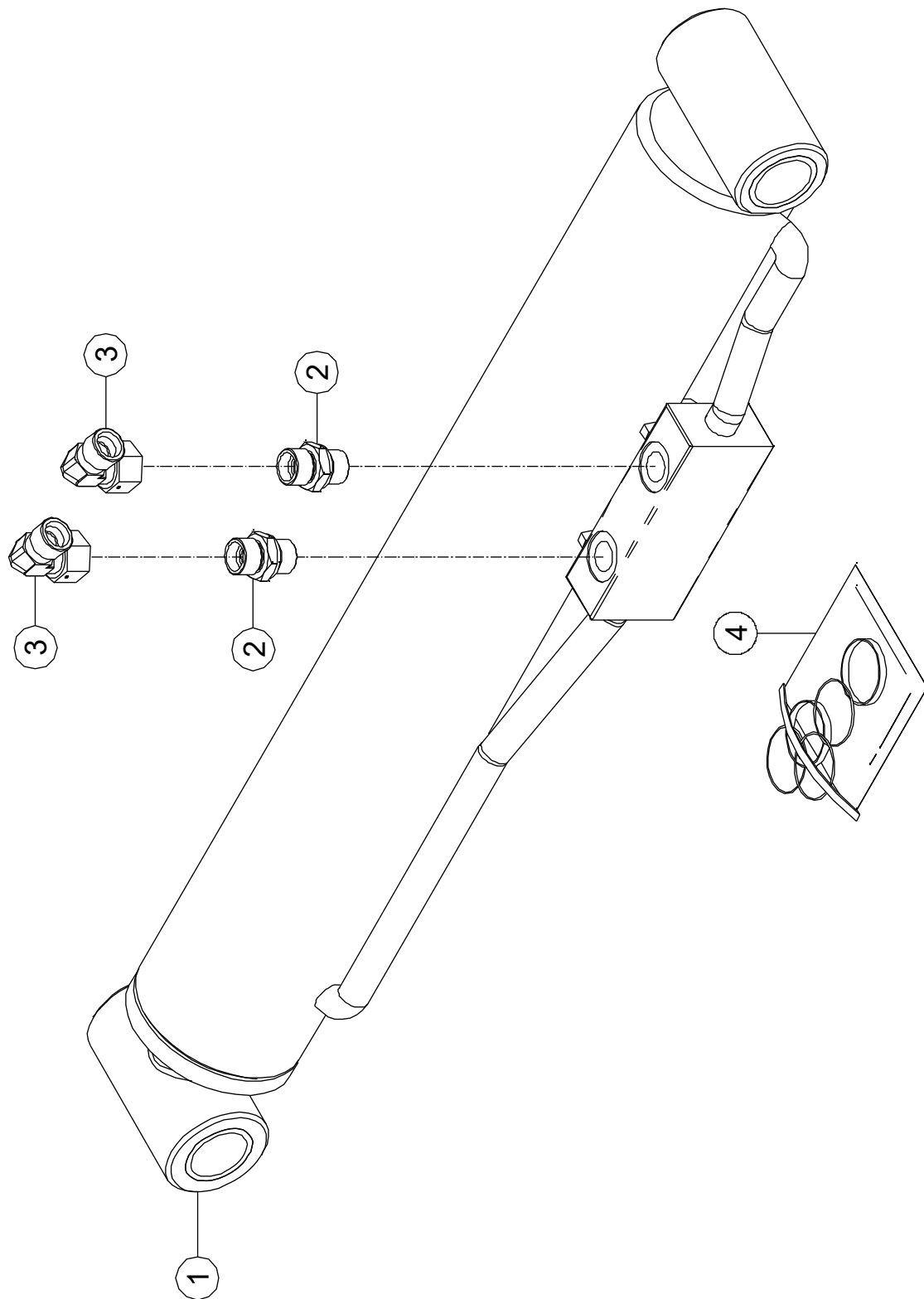
**5-8 JIB Telescopic Cylinder Assembly (BT30SHRT, BT28SHRT, BT26SHRT)**



### 5-8 JIB Telescopic Cylinder Assembly (BT30SHRT, BT28SHRT, BT26SHRT)

Item	Part Number	Description	Qty.	Remark
1	92000139	Insert	4	
2	92000194	Sliding Block	2	
3	00001834	Fitting, 90°	2	
4	00004922	Fitting, 90°	2	
5	00003607	Bolt GB/T 5783 M8 × 50	4	
6	00000609	Spring Washer GB/T 93 8	4	
7	00000608	Flat Washer GB/T 97.1 8	4	
8	92049335	Valve	1	
9	92048747	JIB Telescopic Cylinder Assembly	1	
10	00000674	Bolt GB/T 5783 M10 × 20	4	
11	00000679	Spring Washer GB/T 93 10	4	
12	00000615	Flat Washer GB/T 97.1 10	4	
13	92051944	Seal Kit 60/40	1	

**5-9 Master Cylinder Assembly (BT30SHRT, BT28SHRT, BT26SHRT)**

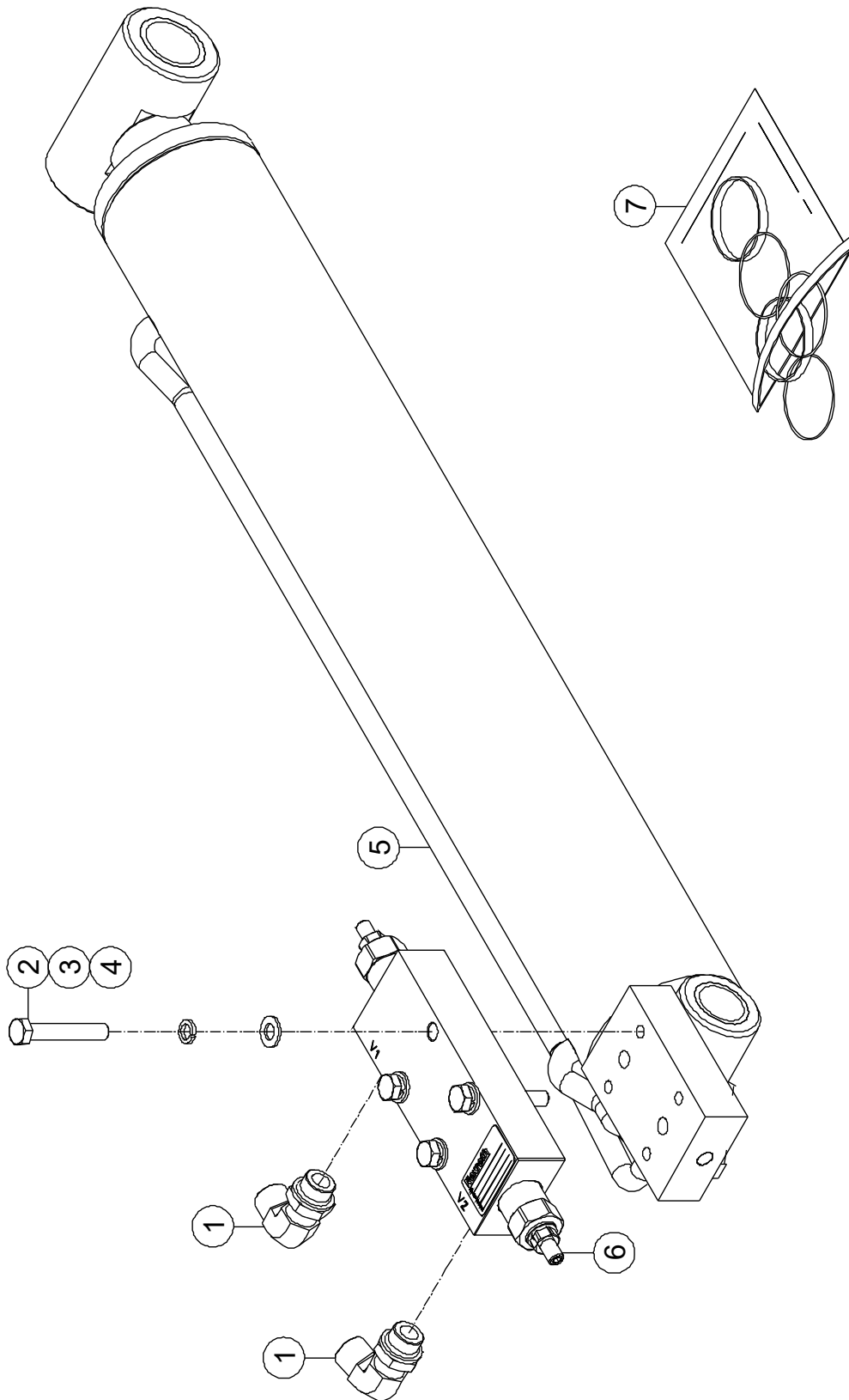




**5-9 Master Cylinder Assembly (BT30SHRT, BT28SHRT, BT26SHRT)**

Item	Part Number	Description	Qty.	Remark
1	92049046	Master Cylinder Assembly	1	
2	00001501	Fitting, Straight	2	
3	00001834	Fitting, 90°	2	
4	92051911	Seal Kit 75/45	1	

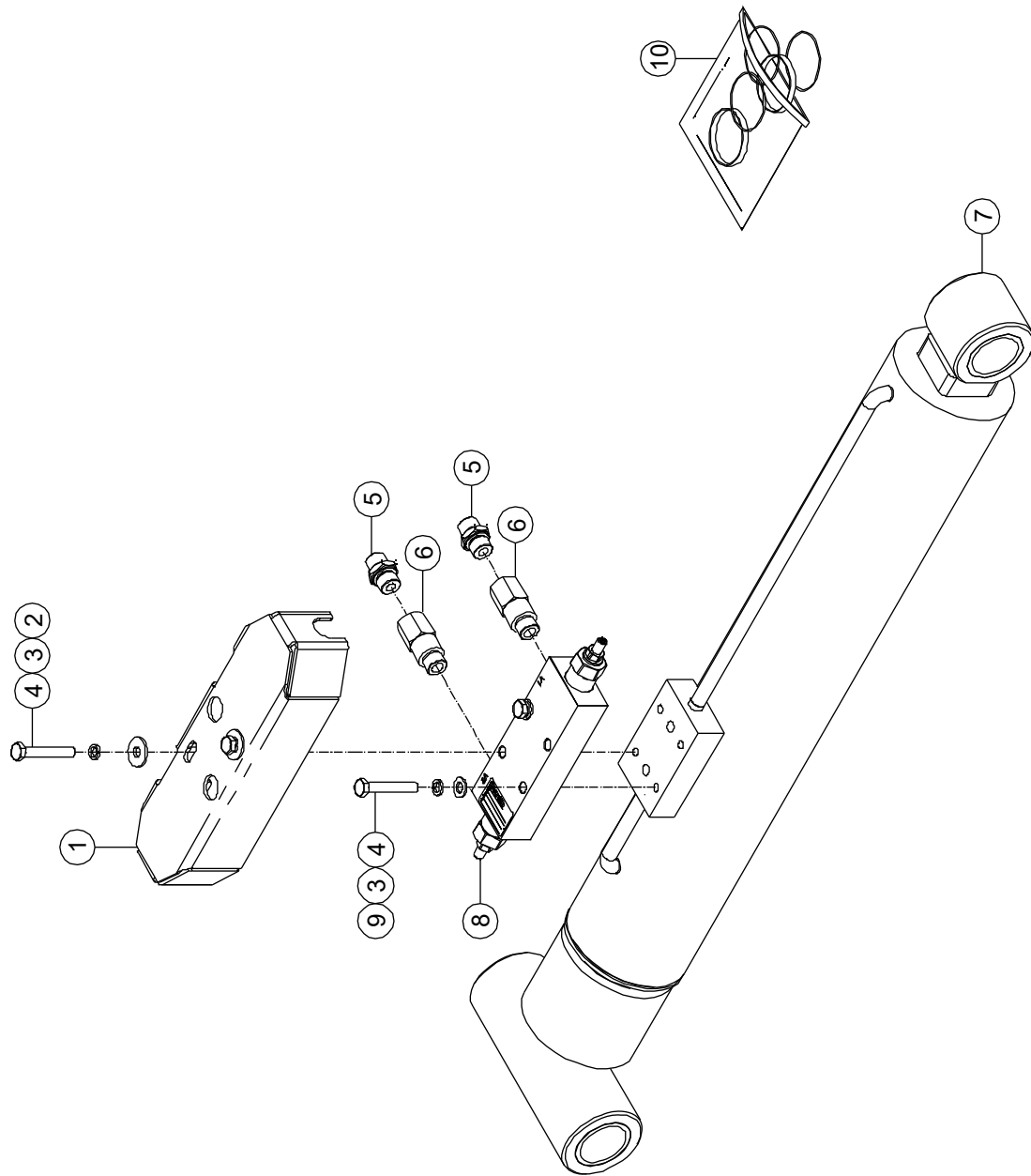
**5-10 Slave Cylinder Assembly (BT30SHRT, BT28SHRT, BT26SHRT)**



**5-10 Slave Cylinder Assembly (BT30SHRT, BT28SHRT, BT26SHRT)**

Item	Part Number	Description	Qty.	Remark
1	00004922	Fitting, 90°	2	
2	00003607	Bolt GB/T 5783 M8 × 50	4	
3	00000609	Spring Washer GB/T 93 8	4	
4	00000608	Flat Washer GB/T 97.1 8	4	
5	92049052	Slave Cylinder Assembly	1	
6	90029932	Valve	1	
7	92051939	Seal Kit 75/45	1	

**5-11 JIB Lifting Cylinder Assembly (BT30HRT, BT28HRT, BT26HRT, BT24HRT, BT28BHRT, BT26BHRT, BT24BHRT)**



**5-11 JIB Lifting Cylinder Assembly (BT30HRT, BT28HRT, BT26HRT, BT24HRT, BT28BHRT, BT26BHRT, BT24BHRT)**

Item	Part Number	Description	Qty.	Remark
1	92049289	Housing	1	
2	00002000	Flat Washer GB/T 96.1 8	2	
3	00000609	Spring Washer GB/T 93 8	4	
4	00003607	Bolt GB/T 5783 M8 × 50	4	
5	00001499	Fitting, Straight	2	
6	92048866	Fitting, Straight	2	
7	92049273	JIB Lifting Cylinder Assembly	1	
8	92049338	Valve	1	
9	00000608	Flat Washer GB/T 97.1 8	2	
10	92051381	Seal Kit 90/50	1	

# Section 6 Hydraulic System



**6-1 Chassis Circuit 1**

Item	Part Number	Description	Qty.	Remark
1	50003329	Hose Assembly	1	
2	92102144	Hose Assembly	1	
3	00001834	Fitting, 90°	2	
4	00004922	Fitting, 90°	2	
5	92030383	Hose Assembly	1	
6	00001239	Fitting, Tee	3	
7	92102147	Hose Assembly	1	
8	00001238	Fitting, Tee	1	
9	00006503	Test Adapter	1	
10	00001318	Fitting, Straight	3	
11	00005565	Fitting, Straight	1	
12	00002119	Fitting, Tee	1	
13	00001771	Fitting, Straight	1	
14	92102137	Hose Assembly	1	
15	00001833	Fitting, 90°	1	
16	92102145	Hose Assembly	1	
17	00001501	Fitting, Straight	8	
18	92102144	Hose Assembly	1	
19	00001772	Fitting, Straight	2	
20	92100634	Hose Assembly	1	
21	92102136	Hose Assembly	1	
22	00001747	Fitting, Straight	2	
23	00006457	Fitting, Tee	1	
24	00005631	Fitting, Straight	1	
25	90030355	Check Valve	1	
26	00006455	Fitting, Tee	1	
27	00005628	Fitting, Straight	1	
28	90003092	Check Valve	1	
29	00001729	Fitting, Straight	2	



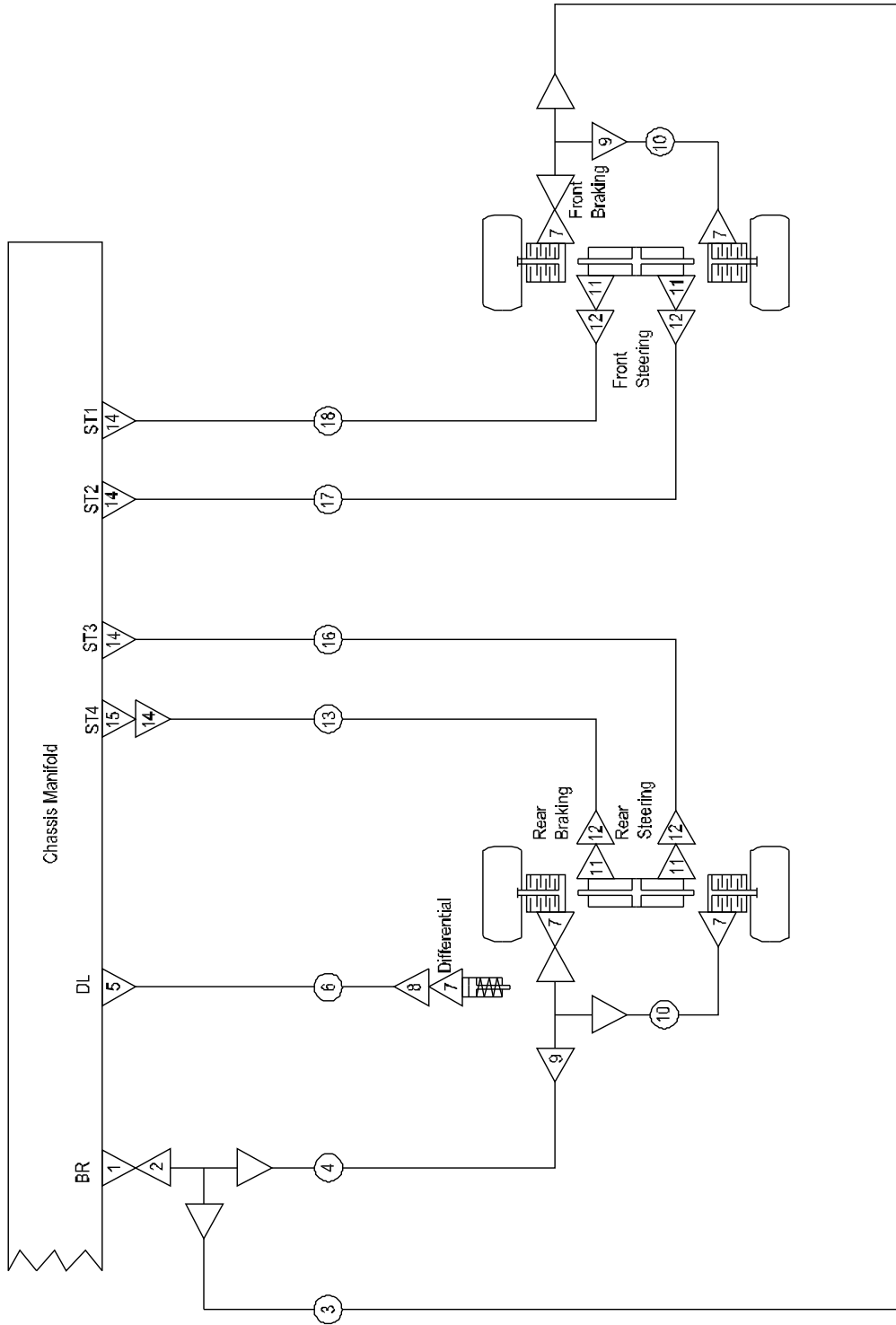
**6-1 Chassis Circuit 1 (Continued)**

Item	Part Number	Description	Qty.	Remark
30	92102140	Hose Assembly	1	
31	92102142	Hose Assembly	1	
32	92102146	Hose Assembly	1	
33	00001507	Fitting, Straight	1	
34	92102141	Hose Assembly	1	
35	00003963	Fitting, Straight	2	
36	00001842	Fitting, 90°	1	
37	92010235	Check Valve	1	
38	00005620	Fitting, Straight	1	
39	00003969	Fitting, 90°	1	
40	00001116	Plug	4	
41	00001506	Fitting, Straight	1	
42	00001114	Plug	3	
43	92102139	Hose Assembly	1	
--	90003625	SAE Flange FittingFL-12	1	
--	92048924	OR Gasket	1	
--	00000615	Flat Washer GB/T 97.1 10	4	
--	00000679	Spring Washer GB/T 93 10	4	
--	00000683	Bolt GB/T 5783 M10 × 30	4	
44	00007155	Flange Fitting	1	
--	00000615	Flat Washer GB/T 97.1 10	4	
--	00000679	Spring Washer GB/T 93 10	4	
--	00000683	Bolt GB/T 5783 M10 × 30	4	
45	92102129	Hose Assembly	1	
46	00001731	Fitting, Straight	1	
47	90029476	WU Filter	1	
48	00001504	Fitting, Straight	1	
49	92102143	Hose Assembly	1	

**6-1 Chassis Circuit 1 (Continued)**

Item	Part Number	Description	Qty.	Remark
50	00001773	Fitting, Straight	1	Standard
	00001263	Fitting, Straight	1	Optional
51	00001770	Fitting, Straight	1	
52	92102138	Hose Assembly	1	
53	00001505	Fitting, Straight	1	

6-2 Chassis Circuit 2

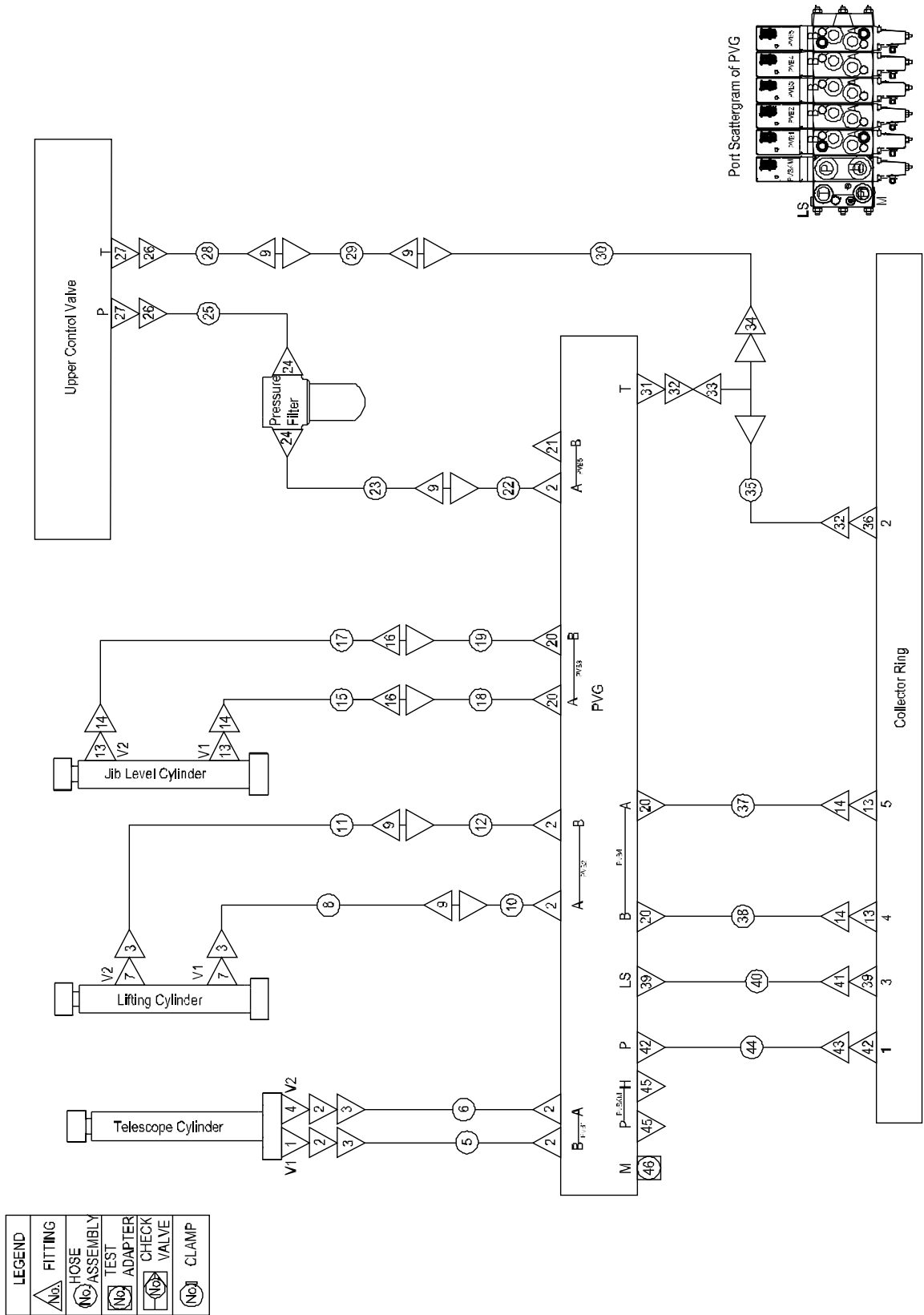


LEGEND	
	FITTING
	HOSE ASSEMBLY
	TEST ADAPTER
	CHECK VALVE
	CLAMP

**6-2 Chassis Circuit 2**

Item	Part Number	Description	Qty.	Remark
1	00009136	Customized Fitting	1	
2	00001238	Fitting, Tee	1	
3	92100620	Hose Assembly	1	
4	92102131	Hose Assembly	1	
5	00001318	Fitting, Straight	1	
6	92102130	Hose Assembly	1	
7	00006461	Fitting, Straight	5	
8	00001833	Fitting, 90°	1	
9	00002119	Fitting, Tee	2	
10	92048876	Hose Assembly	2	
11	00001262	Fitting, Straight	4	
12	00001834	Fitting, 90°	4	
13	92102132	Hose Assembly	1	
14	00001501	Fitting, Straight	4	
15	92048866	Customized Fitting	1	
16	92102133	Hose Assembly	1	
17	92102134	Hose Assembly	1	
18	92102135	Hose Assembly	1	

6-3 Turntable Circuit



**6-3 Turntable Circuit**

Item	Part Number	Description	Qty.	Remark
1	92048595	Customized Fitting	1	
2	00001506	Fitting, Straight	7	
3	00001835	Fitting, 90°	4	
4	92048618	Customized Fitting	1	
5	92048565	Hose Assembly	1	
6	92048567	Hose Assembly	1	
7	00001507	Fitting, Straight	2	
8	92100114	Hose Assembly	1	
9	00002138	Fitting, Bulkhead, Straight	5	
10	92048559	Hose Assembly	1	
11	92100115	Hose Assembly	1	
12	92048561	Hose Assembly	1	
13	00001501	Fitting, Straight	4	
14	00001834	Fitting, 90°	4	
15	92101284	Hose Assembly	1	BT30HRT
	92048506	Hose Assembly	1	BT30SHRT BT28HRT BT28BHRT
	92100127	Hose Assembly	1	BT26HRT BT28SHRT BT26BHRT
	92048524	Hose Assembly	1	BT26SHRT BT24HRT BT24BHRT
16	00002137	Fitting, Bulkhead, Straight	2	
17	92101285	Hose Assembly	1	BT30HRT
	92048507	Hose Assembly	1	BT30SHRT BT28HRT BT28BHRT
	92100129	Hose Assembly	1	BT26HRT BT28SHRT BT26BHRT
	92100118	Hose Assembly	1	BT26SHRT BT24HRT BT24BHRT

**6-3 Turntable Circuit (Continued)**

Item	Part Number	Description	Qty.	Remark
18	92048554	Hose Assembly	1	
19	92048557	Hose Assembly	1	
20	00001504	Fitting, Straight	4	
21	00001114	Plug	1	
22	92048549	Hose Assembly	1	
23	92101282	Hose Assembly	1	BT30HRT
	92048505	Hose Assembly	1	BT30SHRT BT28HRT BT28BHRT
	92100126	Hose Assembly	1	BT26HRT BT28SHRT BT26BHRT
	92048523	Hose Assembly	1	BT26SHRT BT24HRT BT24BHRT
24	00002069	Fitting, Straight	2	
25	92048439	Hose Assembly	1	BT30SHRT BT28SHRT BT26SHRT
	92048942	Hose Assembly	1	BT30HRT BT28HRT BT26HRT BT24HRT
	92102306	Hose Assembly	1	BT28BHRT BT26BHRT BT24BHRT
26	00001835	Fitting, 90°	2	BT30SHRT BT28SHRT BT26SHRT
27	00001506	Fitting, Straight	2	BT30SHRT BT28SHRT BT26SHRT
	00001504	Fitting, Straight	2	BT30HRT BT28HRT BT26HRT BT24HRT BT28BHRT BT26BHRT BT24BHRT

**6-3 Turntable Circuit (Continued)**

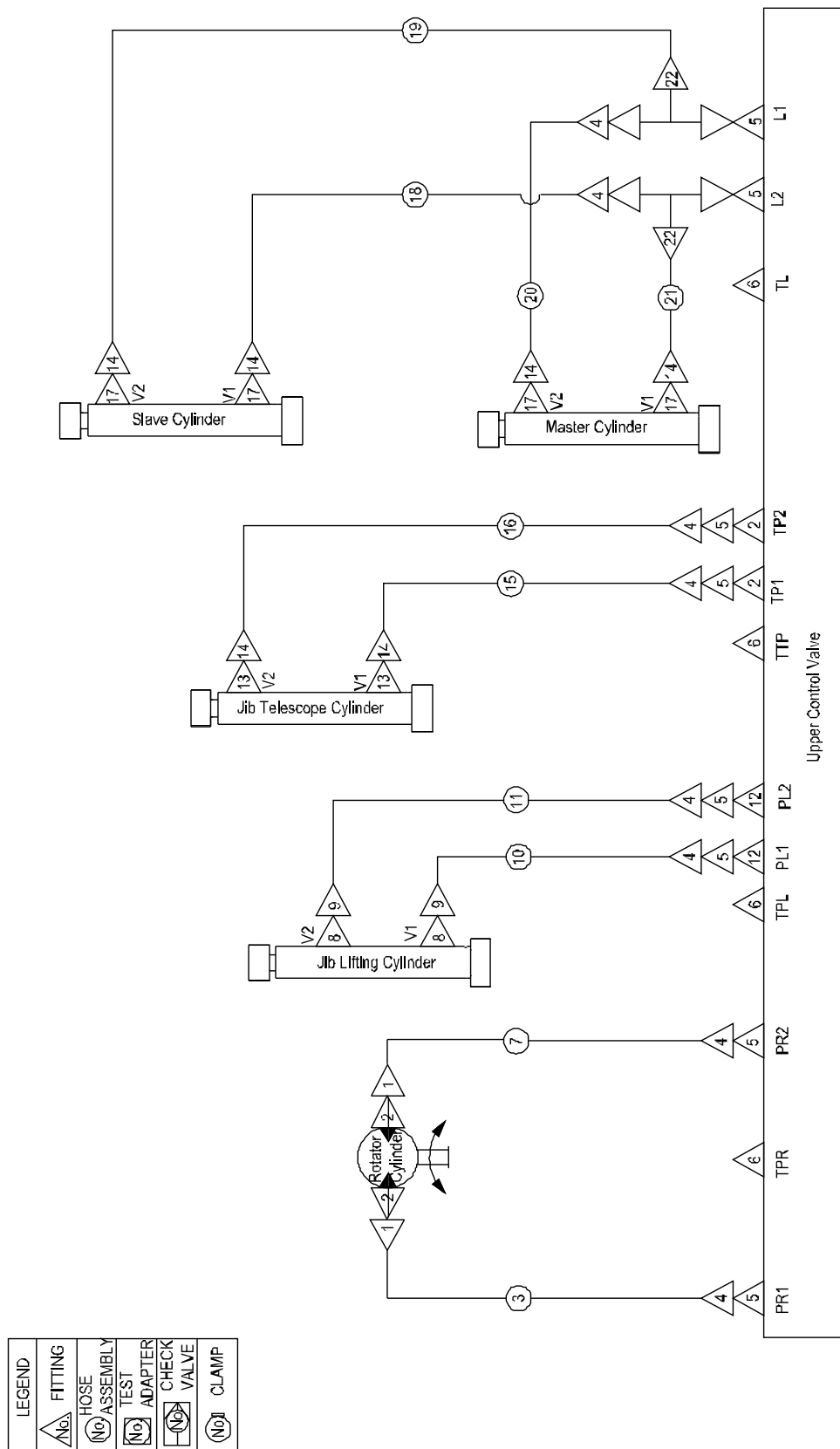
Item	Part Number	Description	Qty.	Remark
28	92100116	Hose Assembly	1	BT30SHRT BT28SHRT BT26SHRT
	92048940	Hose Assembly	1	BT30HRT BT28HRT BT26HRT BT24HRT
	92102307	Hose Assembly	1	BT28BHRT BT26BHRT BT24BHRT
29	92101283	Hose Assembly	1	BT30HRT
	92100112	Hose Assembly	1	BT30SHRT BT28HRT BT28BHRT
	92100128	Hose Assembly	1	BT26HRT BT28SHRT BT26BHRT
	92100117	Hose Assembly	1	BT26SHRT BT24HRT BT24BHRT
30	92048551	Hose Assembly	1	
31	00001727	Fitting, Straight	1	
32	00001837	Fitting, 90°	2	
33	00006456	Fitting, Tee	1	
34	00006447	Fitting, 90°	1	
35	92048581	Hose Assembly	1	
36	00001728	Fitting, Straight	1	
37	92048569	Hose Assembly	1	
38	92048570	Hose Assembly	1	
39	00001318	Fitting, Straight	2	
40	92048586	Hose Assembly	1	
41	00001833	Fitting, 90°	1	
42	00001747	Fitting, Straight	2	
43	00001842	Fitting, 90°	1	
44	92048584	Hose Assembly	1	



**6-3 Turntable Circuit (Continued)**

Item	Part Number	Description	Qty.	Remark
45	00001115	Plug	2	
46	00006505	Test Adapter	1	

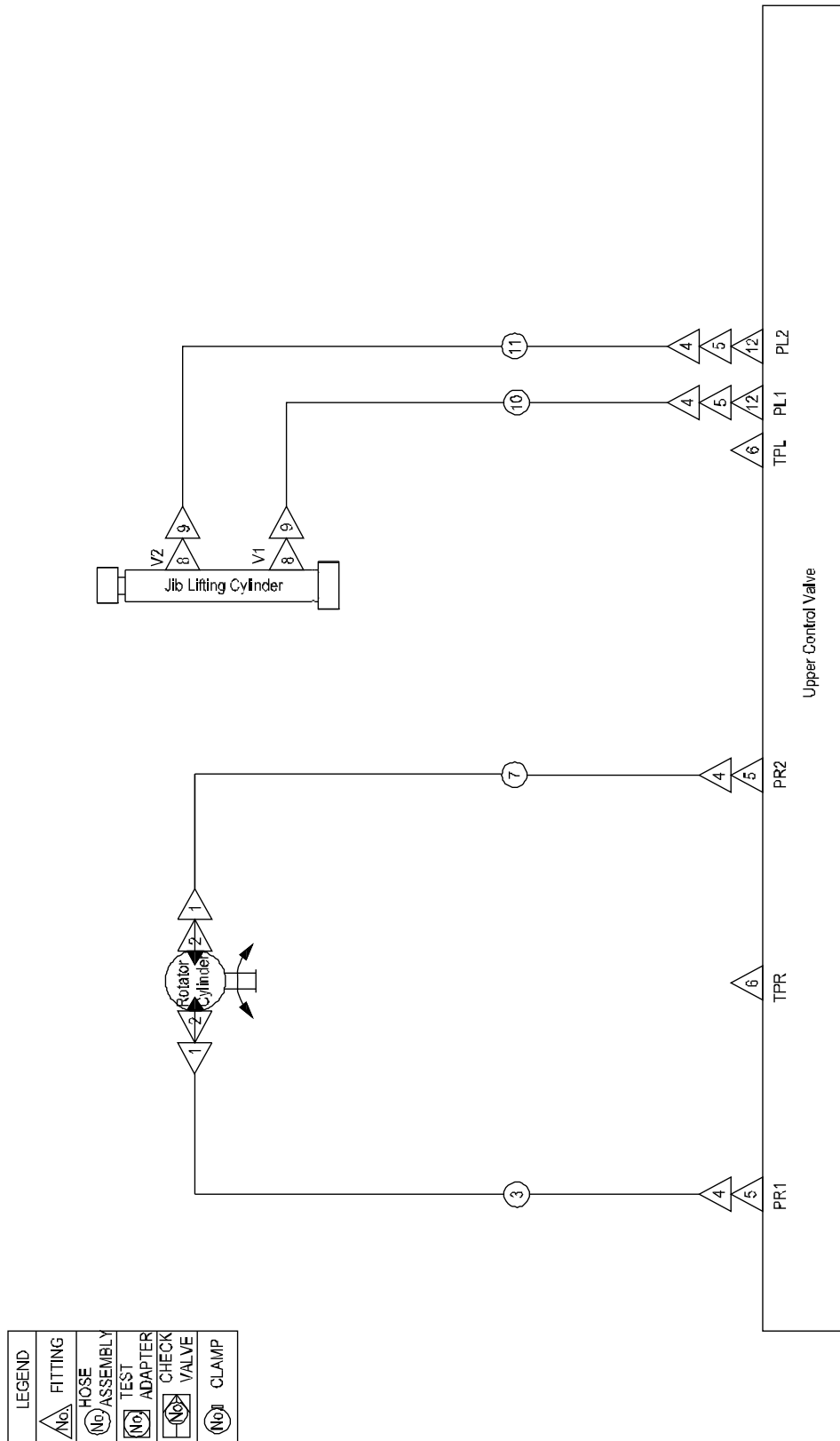
6-4 JIB Circuit (BT30SHRT, BT28SHRT, BT26SHRT)



**6-4 JIB Circuit (BT30SHRT, BT28SHRT, BT26SHRT)**

Item	Part Number	Description	Qty.	Remark
1	00001833	Fitting, 90°	2	
2	00001770	Fitting, Straight	2	
3	92048441	Hose Assembly	1	
4	00001833	Fitting, 90°	8	
5	00001318	Fitting, Straight	8	
6	00001111	Plug	4	
7	92048440	Hose Assembly	1	
8	92048453	Customized Fitting	2	
9	00001499	Fitting, Straight	2	
10	92048442	Hose Assembly	1	
11	92048443	Hose Assembly	1	
12	92048451	Customized Fitting	4	
13	00004922	Fitting, 90°	4	
14	00001834	Fitting, 90°	4	
15	92048444	Hose Assembly	1	
16	92048445	Hose Assembly	1	
17	00001501	Fitting, Straight	2	
18	92048449	Hose Assembly	1	
19	92048450	Hose Assembly	1	
20	92048447	Hose Assembly	1	
21	92048448	Hose Assembly	1	
22	00001238	Fitting, Tee	2	

**6-5 JIB Circuit (BT30HRT, BT28HRT, BT26HRT, BT24HRT, BT28BHRT, BT26BHRT, BT24BHRT)**

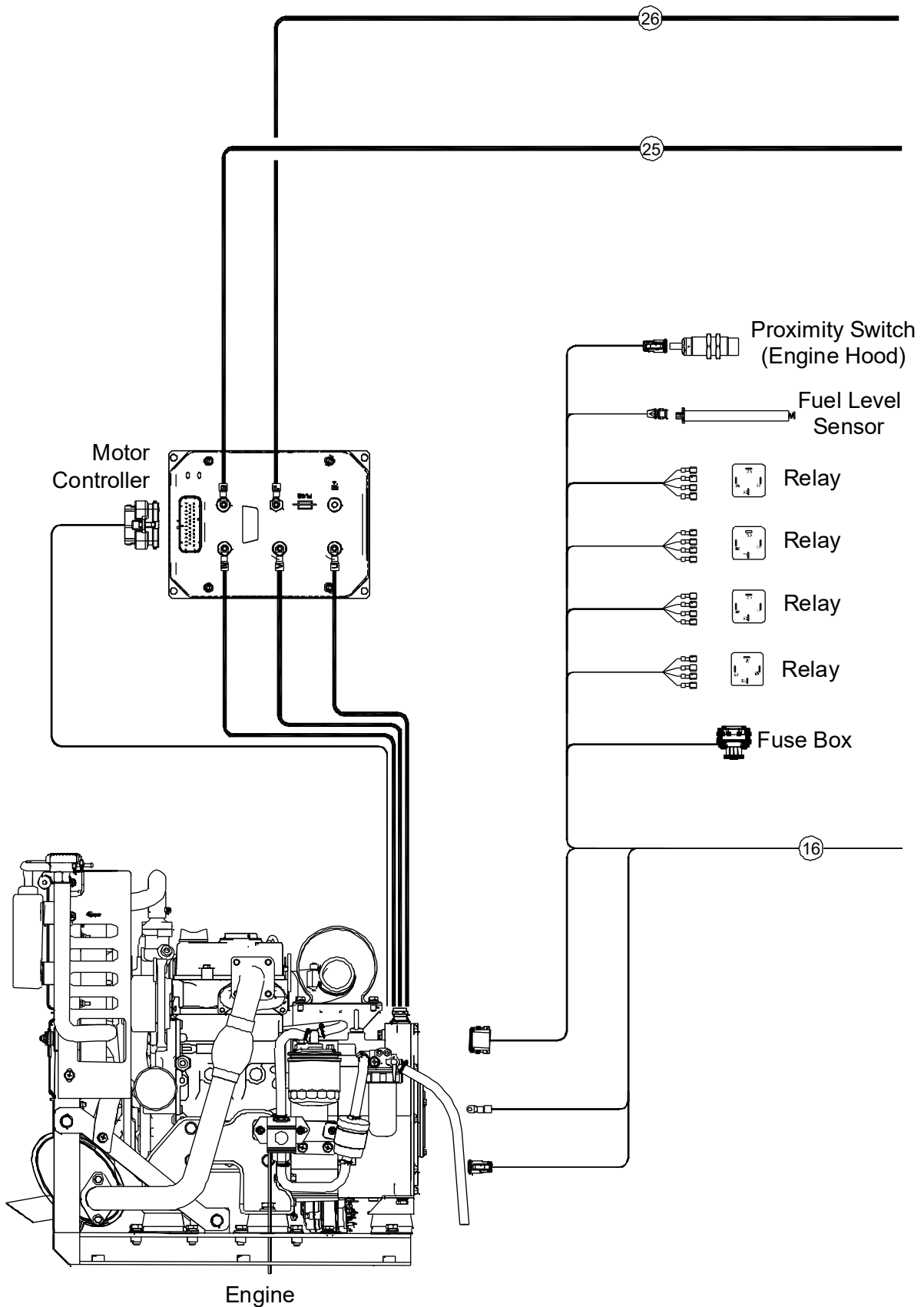


### 6-5 JIB Circuit (BT30HRT, BT28HRT, BT26HRT, BT24HRT, BT28BHRT, BT26BHRT, BT24BHRT)

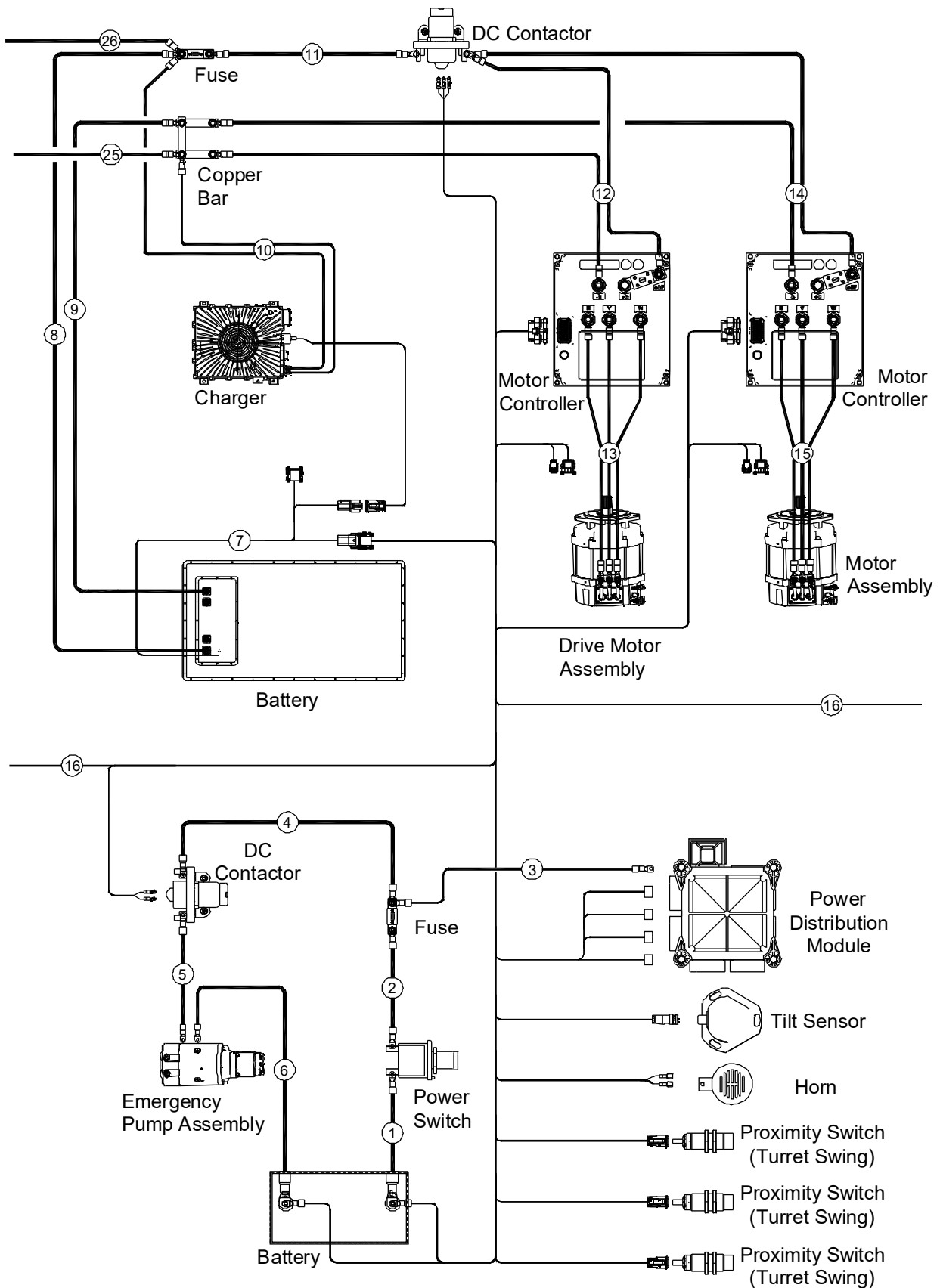
Item	Part Number	Description	Qty.	Remark
1	00001833	Fitting, 90°	2	
2	00001770	Fitting, Straight	2	
3	92048957	Hose Assembly	1	
4	00001833	Fitting, 90°	4	
5	00001318	Fitting, Straight	4	
6	00001111	Plug	2	
7	92048953	Hose Assembly	1	
8	92048866	Customized Fitting	2	
9	00001499	Fitting, Straight	2	
10	92048951	Hose Assembly	1	
11	92048946	Hose Assembly	1	
12	92048451	Customized Fitting	2	

# Section 7 Electrical System

### 7-1 Electrical Harness- Parker Controller

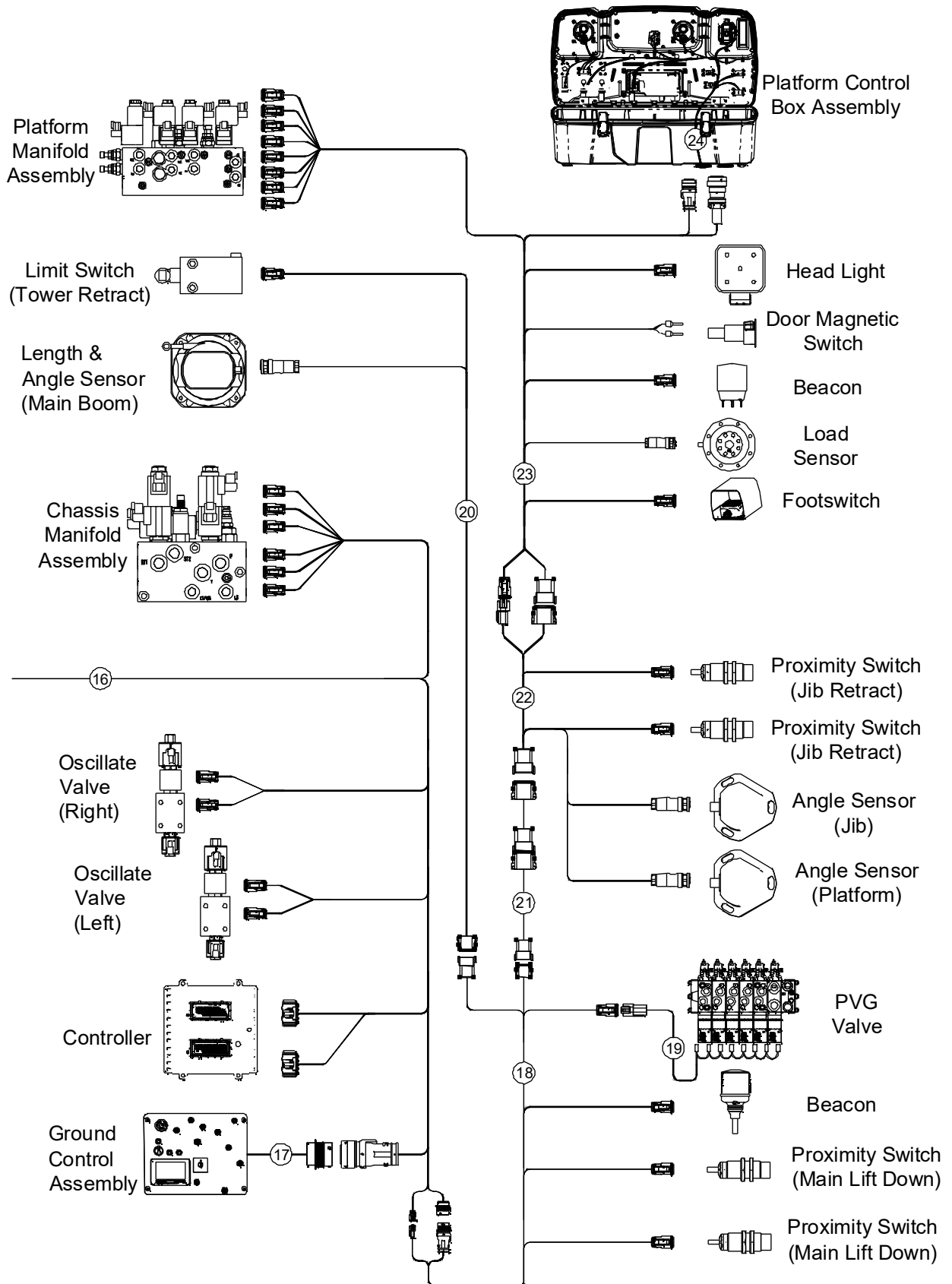


7-1 Electrical Harness - Parker Controller (Continued)





### 7-1 Electrical Harness - Parker Controller (Continued)



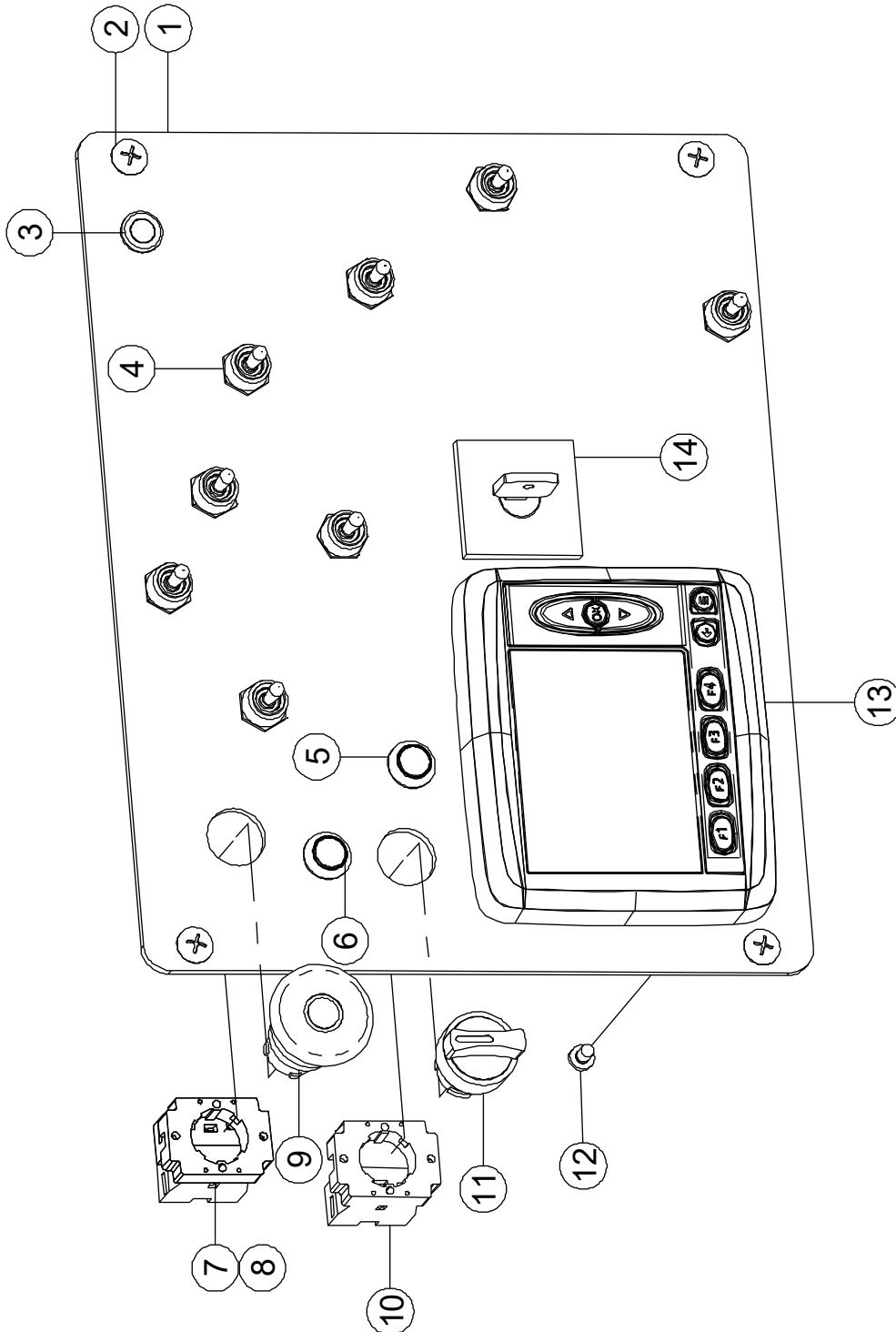
**7-1 Electrical Harness- Parker Controller**

Item	Part Number	Description	Qty.	Remark
1	00009989	Battery Positive Harness	1	
2	00009991	Fuse Harness 2	1	
3	00009993	Fuse Box Power Harness	1	
4	00009992	DC Contactor Harness 2	1	
5	00009994	Emergency Pump Positive Harness	1	
6	00009995	Emergency Pump Negative Harness	1	
7	00007003	BMS Harness	1	
8	00010537	Lithium Battery Positive Harness	1	
9	00010538	Lithium Battery Negative Harness	1	
10	00010539	Charge Harness	1	
11	00007160	DC Contactor Harness 1	1	
12	00007162	Drive Controller Positive Harness	1	
13	00007164	Drive Motor Harness	1	
14	00009985	Pump Controller Positive Harness	1	
15	00009987	Pump Motor Harness	1	
16	00009482	Chassis Harness	1	
17	00009483	Ground Control Plane Harness	1	
18	00008551	Turret Harness	1	
19	00008113	PVG-1939 CANBUS Resistance	1	Standard
	00008114	PVG-1939 Harness	5	
	00008115	PVG-1939 Power Harness	1	
	92010012	PVG Valve Harness	1	Optional
20	00005344	Sensor Harness	1	
21	00009037	Main Boom Harness	1	BT30HRT
	00005347	Main Boom Harness	1	BT30SHRT BT28HRT BT28BHRT
	00005364	Main Boom Harness	1	BT28SHRT BT26HRT BT26BHRT

**7-1 Electrical Harness - Parker Controller (Continued)**

Item	Part Number	Description	Qty.	Remark
21	00005361	Main Boom Harness	1	BT26SHRT BT24HRT BT24BHRT
22	00005360	Jib Harness	1	BT30HRT BT28HRT BT26HRT BT24HRT BT28BHRT BT26BHRT BT24BHRT
	00008352	Jib Harness	1	BT30SHRT BT28SHRT BT26SHRT
23	00008553	Platform Harness	1	
24	00009484	Platform Control Box Harness	1	
25	00009494	IPU Negative Harness	1	
26	00009493	IPU Positive Harness	1	

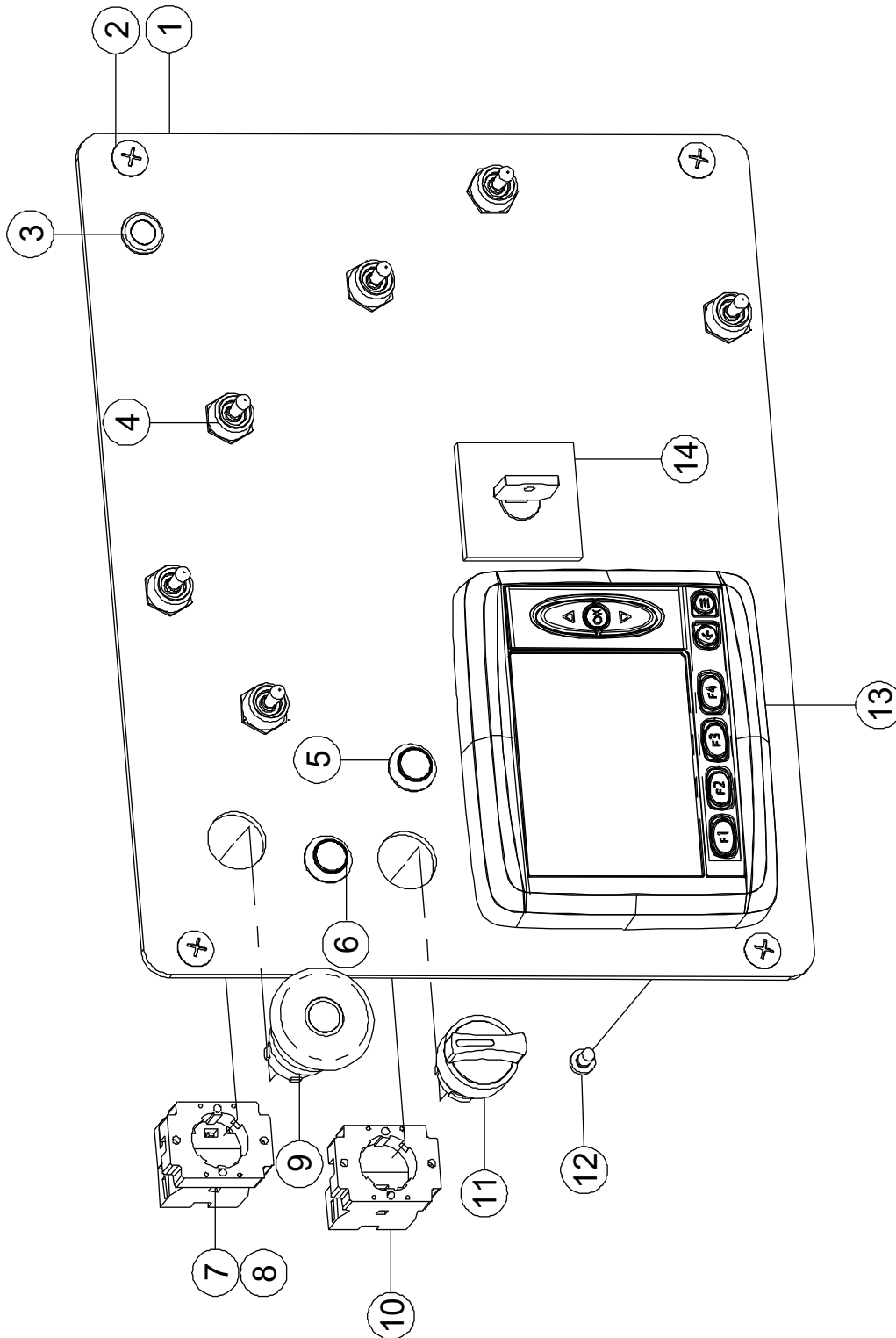
**7-2 Ground Control Panel Assembly - Parker Controller  
(BT30SHRT, BT28SHRT, BT26SHRT)**



## 7-2 Ground Control Panel Assembly - Parker Controller (BT30SHRT, BT28SHRT, BT26SHRT)

Item	Part Number	Description	Qty.	Remark
1	92101213	Panel	1	
2	00001018	Screw GB/T 973 M6×14	4	
3	00003162	Indicator, Red	1	
4	00006135	Switch, Toggle	8	
5	00006154	Push Button, Red	1	
6	00006137	Push Button, Red	1	
7	00000752	Base With 1 NC Contact	1	
8	00001245	NC Contact	1	
9	00000754	Red Mushroom Head	1	
10	00002346	Base With 1 NO Contact	1	
11	00002566	Select Switch Head	1	
12	00002391	Screw GB/T 818 M5 × 8-H	4	
13	85000130	Display	1	
14	00006133	Key Switch	1	

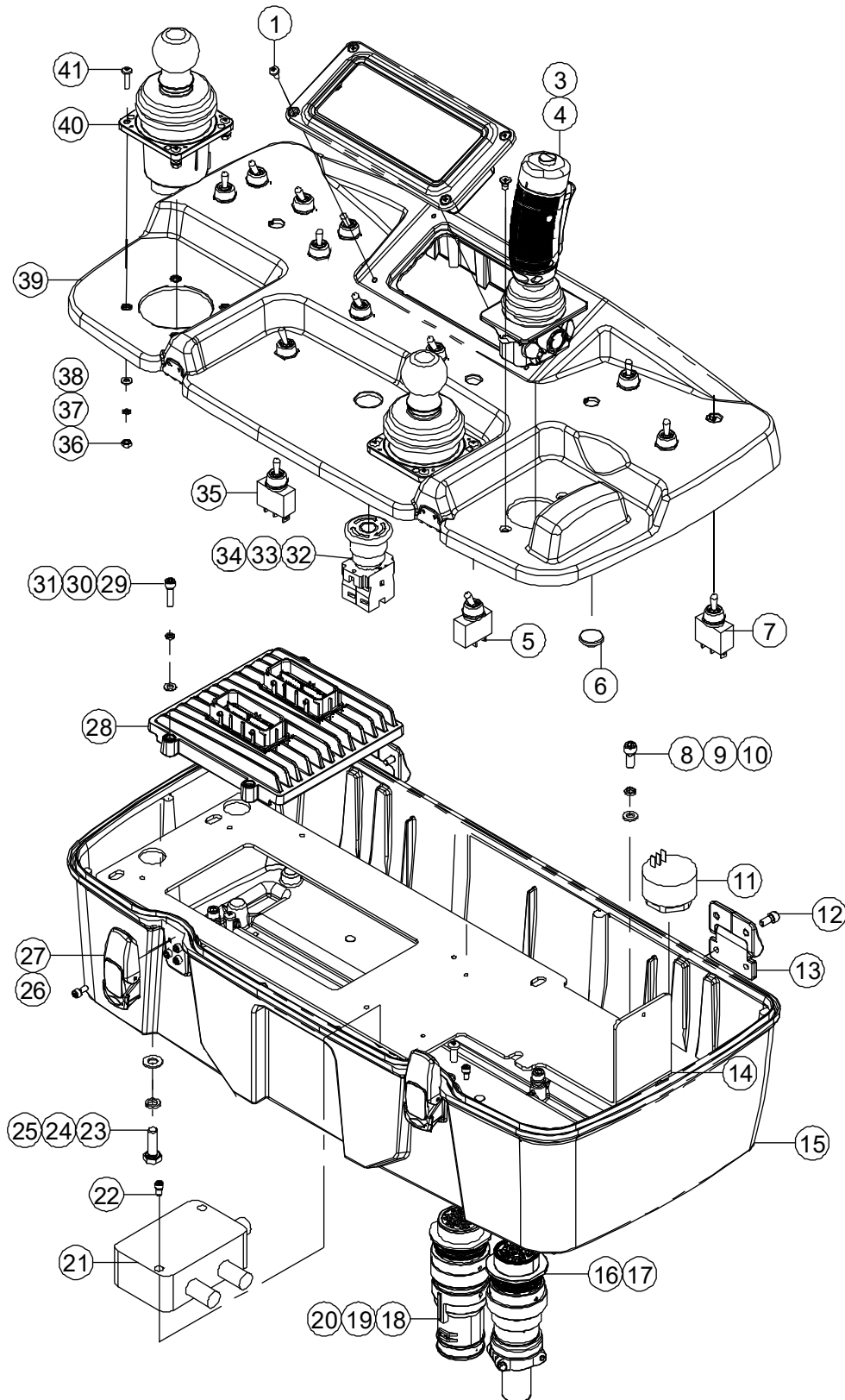
**7-3 Ground Control Panel Assembly - Parker Controller (BT30HRT, BT28HRT, BT26HRT, BT24HRT, BT28BHRT, BT26BHRT, BT24BHRT)**



### 7-3 Ground Control Panel Assembly - Parker Controller (BT30HRT, BT28HRT, BT26HRT, BT24HRT, BT28BHRT, BT26BHRT, BT24BHRT)

Item	Part Number	Description	Qty.	Remark
1	92101217	Panel	1	
2	00001018	Screw GB/T 973 M6×14	4	
3	00003162	Indicator, Red	1	
4	00006135	Switch, Toggle	6	
5	00006154	Push Button, Red	1	
6	00006137	Push Button, Red	1	
7	00000752	Base With 1 NC Contact	1	
8	00001245	NC Contact	1	
9	00000754	Red Mushroom Head	1	
10	00002346	Base With 1 NO Contact	1	
11	00002566	Select Switch Head	1	
12	00002391	Screw GB/T 818 M5 × 8-H	4	
13	85000130	Display	1	
14	00006133	Key Switch	1	

**7-4 Platform Control Box Assembly - Parker Controller (BT30SHRT, BT28SHRT, BT26SHRT)**





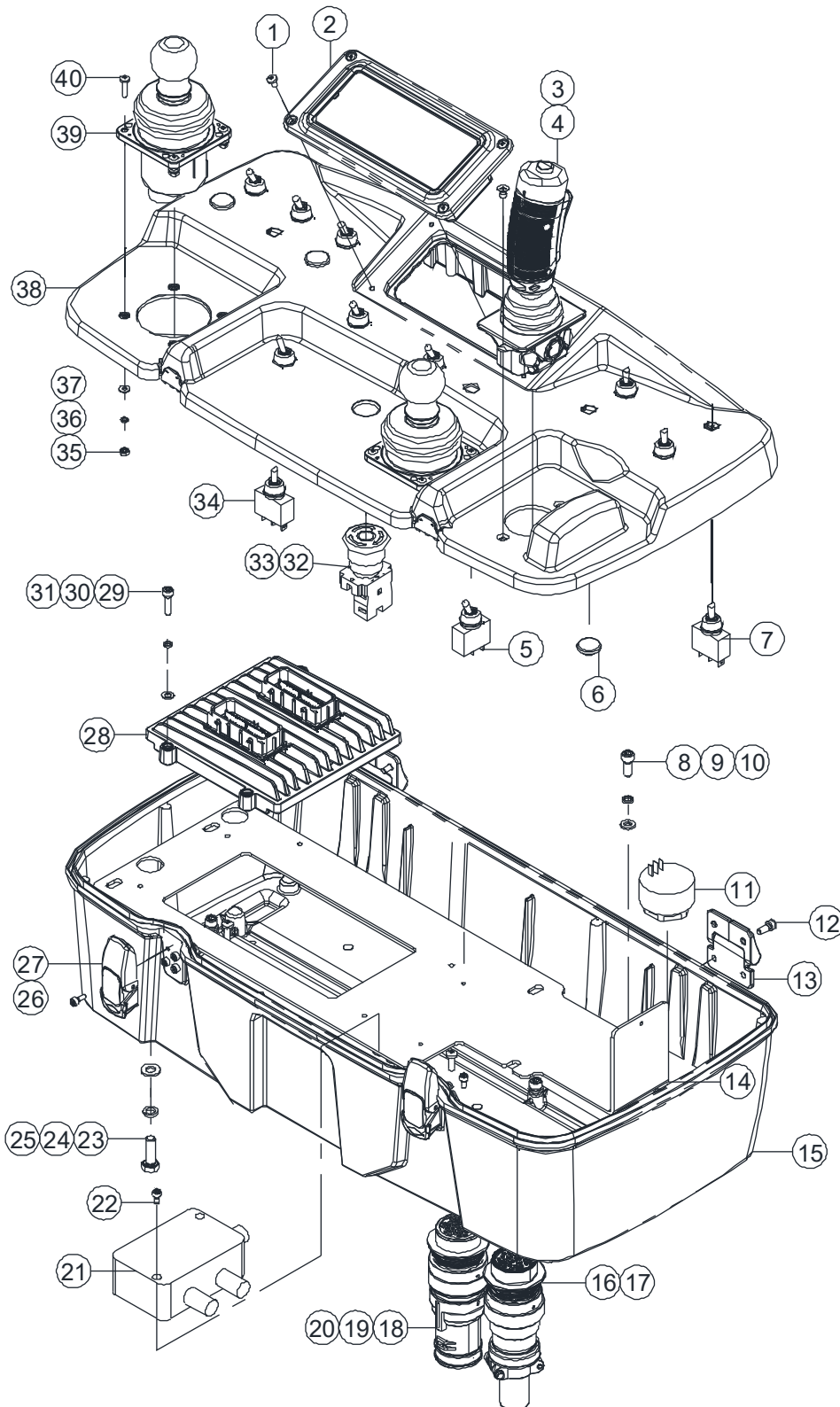
#### 7-4 Platform Control Box Assembly - Parker Controller (BT30SHRT, BT28SHRT, BT26SHRT)

Item	Part Number	Description	Qty.	Remark
1	00002333	Screw GB/T 818 M4 × 8 - H	4	
2	00005395	LED Panel	1	
3	00005459	Screw GB/T 819 M5 × 8 - H	2	
4	00005393	Joystick (Steer & Drive)	1	
5	00006134	Switch, Toggle	6	
6	00000667	Plug, Toggle Switch	3	
7	00005401	Switch, Toggle	2	
8	00000876	Screw GB/T 70 M6 × 16	5	
9	00000621	Spring Washer GB/T 93 6	5	
10	00000620	Flat Washer GB/T 97.1 6	5	
11	00002326	Alarm	1	
12	00001252	Screw GB/T 70 M5 × 12	8	
13	00005391	Hinge	2	
14	92000094	Bracket	1	
15	92000092	Platform Control Box	1	
16	00005396	Housing for Male Terminals	1	
17	00005398	Housing for Female Terminals	1	
18	00004693	Back Shell	1	
19	00005399	Housing for Female Terminals	1	
20	00005397	Housing for Male Terminals	1	
21	00003164	Load Sensor Amplifier	1	
22	00001987	Screw GB/T 70 M4 × 8	2	
23	00000993	Bolt GB/T 5783 M8 × 25	4	
24	00000609	Spring Washer GB/T 93 6	4	
25	00000608	Flat Washer GB/T 97.1 6	4	
26	00002002	Screw GB/T 70 M4 × 10	8	
27	00005392	Latch	2	
28	85000118	Controller	1	

#### 7-4 Platform Control Box Assembly - Parker Controller (BT30SHRT, BT28SHRT, BT26SHRT) (Continued)

Item	Part Number	Description	Qty.	Remark
29	00000605	Flat Washer GB/T 97.1 5	4	
30	00000606	Spring Washer GB/T 93 5	4	
31	00000817	Screw GB/T 70 M5 × 20	4	
32	00000752	Base With 1 NC Contact	1	
33	00000754	Red Mushroom Head	1	
34	00001245	NC Contact	1	
35	00006135	Switch, Toggle	4	
36	00002712	Nut GB/T 6170 M4	8	
37	00000779	Spring Washer GB/T 93 4	8	
38	00000778	Flat Washer GB/T 97.1 4	8	
39	92000093	Cover, Platform Control Box	1	
40	00005394	Joystick	2	
41	00001232	Screw GB/T 818 M4 × 16 - H	8	

**7-5 Platform Control Box Assembly - Parker Controller (BT30HRT, BT28HRT, BT26HRT, BT24HRT, BT28BHRT, BT26BHRT, BT24BHRT)**



### 7-5 Platform Control Box Assembly - Parker Controller (BT30HRT, BT28HRT, BT26HRT, BT24HRT, BT28BHRT, BT26BHRT, BT24BHRT)

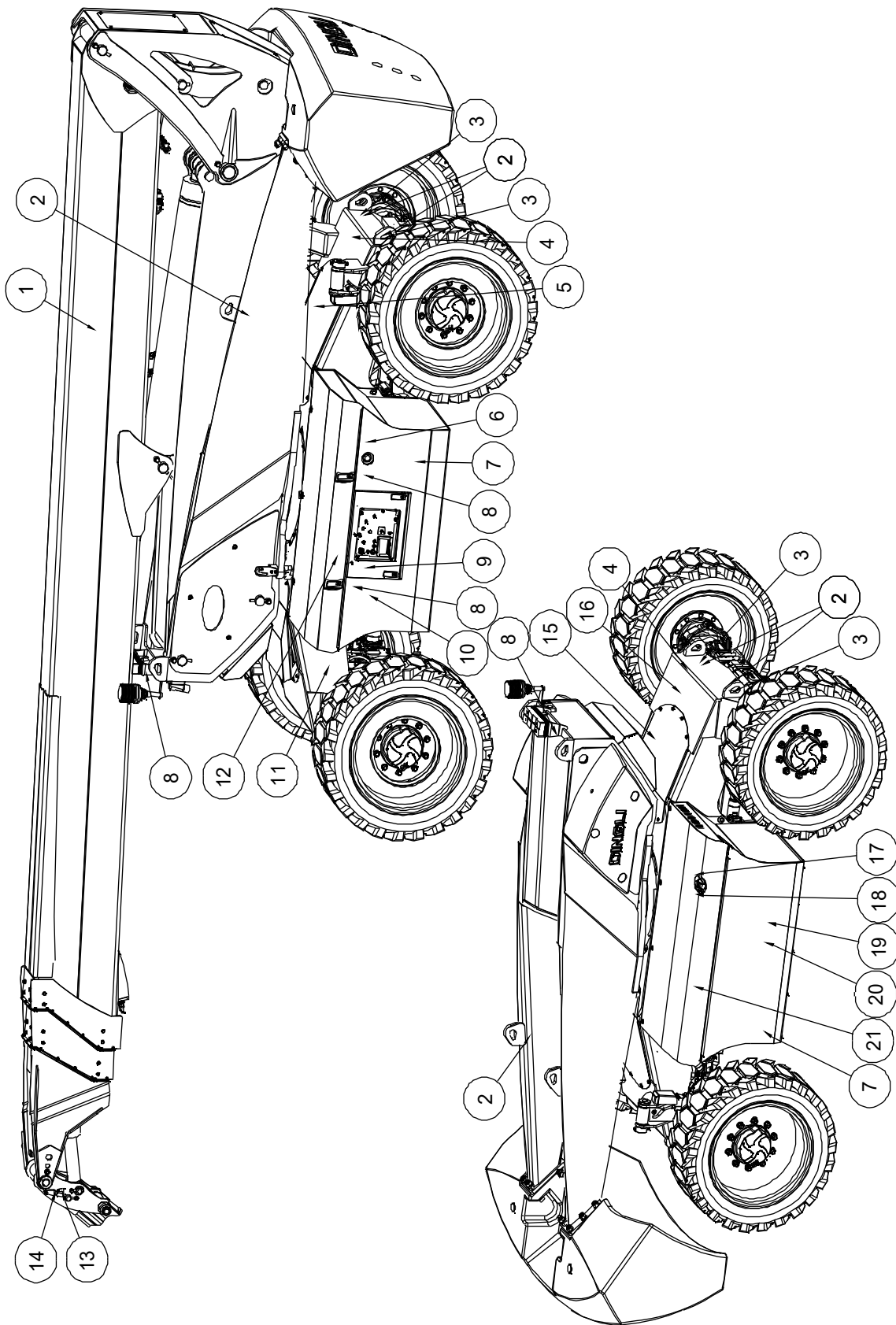
Item	Part Number	Description	Qty.	Remark
1	00002333	Screw GB/T 818 M4 × 8 - H	4	
2	00005395	LED Panel	1	
3	00005459	Screw GB/T 819 M5 × 8 - H	2	
4	00005393	Joystick (Steer & Drive)	1	
5	00006134	Switch, Toggle	6	
6	00000667	Plug, Toggle Switch	3	
7	00005401	Switch, Toggle	2	
8	00000876	Screw GB/T 70 M6 × 16	5	
9	00000621	Spring Washer GB/T 93 6	5	
10	00000620	Flat Washer GB/T 97.1 6	5	
11	00002326	Alarm	1	
12	00001252	Screw GB/T 70 M5 × 12	8	
13	00005391	Hinge	2	
14	92000094	Bracket	1	
15	92000092	Platform Control Box	1	
16	00005396	Housing for Male Terminals	1	
17	00005398	Housing for Female Terminals	1	
18	00004693	Back Shell	1	
19	00005399	Housing for Female Terminals	1	
20	00005397	Housing for Male Terminals	1	
21	00003164	Load Sensor Amplifier	1	
22	00001987	Screw GB/T 70 M4 × 8	2	
23	00000993	Bolt GB/T 5783 M8 × 25	4	
24	00000609	Spring Washer GB/T 93 6	4	
25	00000608	Flat Washer GB/T 97.1 6	4	
26	00002002	Screw GB/T 70 M4 × 10	8	
27	00005392	Latch	2	

### 7-5 Platform Control Box Assembly - Parker Controller (BT30HRT, BT28HRT, BT26HRT, BT24HRT, BT28BHRT, BT26BHRT, BT24BHRT) (Continued)

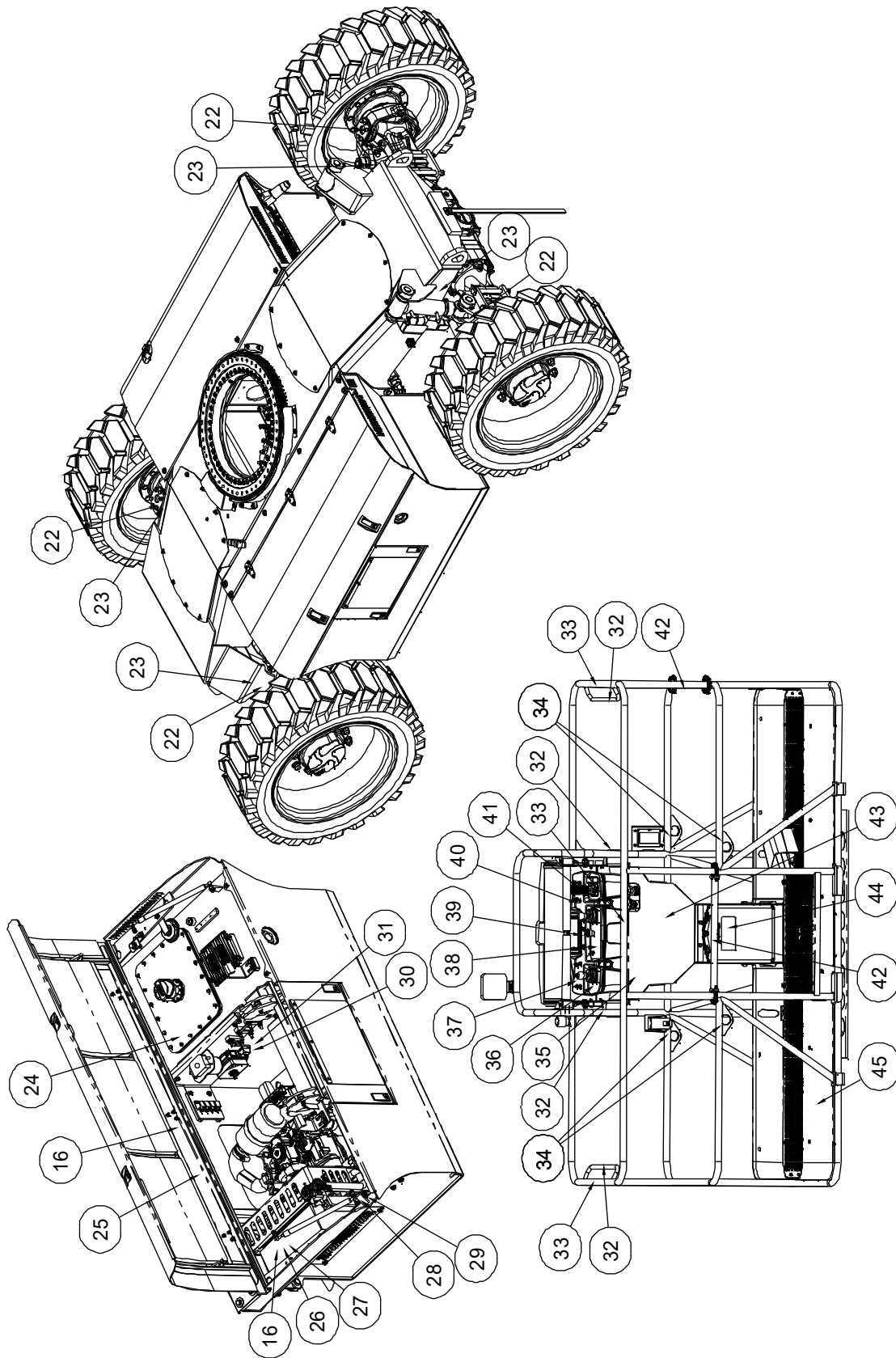
Item	Part Number	Description	Qty.	Remark
28	85000118	Controller	1	
29	00000605	Flat Washer GB/T 97.1 5	4	
30	00000606	Spring Washer GB/T 93 5	4	
31	00000817	Screw GB/T 70 M5 × 20	4	
32	00000752	Base With 1 NC Contact	1	
33	00000754	Red Mushroom Head	1	
34	00001245	NC Contact	1	
35	00006135	Switch, Toggle	2	
36	00002712	Nut GB/T 6170 M4	8	
37	00000779	Spring Washer GB/T 93 4	8	
38	00000778	Flat Washer GB/T 97.1 4	8	
39	92000093	Cover, Platform Control Box	1	
40	00005394	Joystick	2	
41	00001232	Screw GB/T 818 M4 × 16 - H	8	

# Section 8 Decals

### 8-1 Decals Installations



### 8-1 Decals Installations (Continued)





## 8-1 Decals Installations

Item	Part Number	Description	Qty.	Remark
1	09630093	Decal, Label-BT30HRT	1	BT30HRT
	09630094	Decal, Label-BT28HRT	1	BT28HRT
	09630095	Decal, Label-BT26HRT	1	BT26HRT
	09630096	Decal, Label-BT24HRT	1	BT24HRT
	09630083	Decal, Label-BT30SHRT	1	BT30SHRT
	09630091	Decal, Label-BT28SHRT	1	BT28SHRT
	09630092	Decal, Label-BT26SHRT	1	BT26SHRT
	09630098	Decal, Label-BT28BHRT	1	BT28BHRT
	09630099	Decal, Label-BT26BHRT	1	BT26BHRT
	09630100	Decal, Label-BT24BHRT	1	BT24BHRT
2	09320014	Decal, Instructions-Lift point	4	
3	09310366	Decal, Instructions-Tie down point	4	
4	09410117	Decal, Symbols-Crushing hazard	2	
5	09310251	Decal, Instructions-Black arrow forward	1	
6	09310527	Decal, Notice-Check the hydraulic oil level	1	
7	09610083	Decal, Label-BT30HRT	2	BT30HRT
	09610084	Decal, Label-BT28HRT	2	BT28HRT
	09610085	Decal, Label-BT26HRT	2	BT26HRT
	09610086	Decal, Label-BT24HRT	2	BT24HRT
	09610075	Decal, Label-BT30SHRT	2	BT30SHRT
	09610081	Decal, Label-BT28SHRT	2	BT28SHRT
	09610082	Decal, Label-BT26SHRT	2	BT26SHRT
	09610088	Decal, Label-BT28BHRT	2	BT28BHRT
	09610089	Decal, Label-BT26BHRT	2	BT26BHRT
	09610090	Decal, Label-BT24BHRT	2	BT24BHRT
8	09410118	Decal, Symbols-Hand crushing hazard	4	
9	09410151	Decal, Warning-Emergency system overriding	1	
10	09310370	Decal, Instructions-Engine	1	

**8-1 Decals Installations (Continued)**

Item	Part Number	Description	Qty.	Remark
11	09310302	Decal, Instructions-Noise 104dB	1	
12	09910113	Decal, Label-30m	1	BT30HRT BT30SHRT
	09910114	Decal, Label-28m	1	BT28HRT BT28SHRT BT28BHRT
	09910115	Decal, Label-26m	1	BT26HRT BT26SHRT BT26BHRT
	09910116	Decal, Label-24m	1	BT24HRT BT24BHRT
13	09330003	Decal, Instructions-Horizontal alignment	1	BT30SHRT BT28SHRT BT26SHRT
	09330004	Decal, Instructions-Horizontal alignment	1	BT30HRT BT28HRT BT26HRT BT24HRT
14	09330002	Decal, Instructions-Pendular arm	1	
15	09310250	Decal, Instructions-White arrow reverse	1	
16	09410186	Decal, Symbols-High temperature	3	
17	09310253	Decal, Instructions-Diesel	1	
18	09410156	Decal, Caution-Ultra low sulfur diesel fuel only	1	
19	09410243	Decal, Symbols-Slope rating	1	
20	09410048	Decal, Symbols-Explosion/burn hazard	1	
21	09910081	Decal, Label-30m	1	BT30HRT BT30SHRT
	09910082	Decal, Label-28m	1	BT28HRT BT28SHRT BT28BHRT
	09910083	Decal, Label-26m	1	BT26HRT BT26SHRT BT26BHRT
	09910084	Decal, Label-24m	1	BT24HRT BT24BHRT
22	09310364	Decal, Instructions-Grease filling port	4	

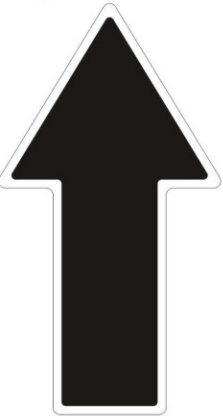








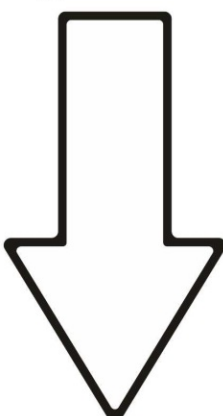







**8-1 Decals Installations (Continued)**

Item	Part Number	Description	Qty.	Remark
23	09310325	Decal, Instructions-Maximum wheel load 9700kg	4	BT30HRT BT30SHRT
	09310282	Decal, Instructions-Maximum wheel load 9350kg	4	BT28HRT BT28SHRT BT28BHRT
	09310283	Decal, Instructions-Maximum wheel load 8500kg	4	BT26HRT BT26SHRT BT26BHRT
	09310327	Decal, Instructions-Maximum wheel load 7350kg	4	BT24HRT BT24BHRT
24	09310252	Decal, Instructions-Hydraulic	1	
25	09310254	Decal, Instructions-Air filter	1	
26	09410120	Decal, Symbols-Cutting hazard	1	
27	09410122	Decal, Symbols-Entangled hazard	1	
28	09410123	Decal, Symbols-Pressurized liquids	1	
29	09410187	Decal, Caution-Main power switch operation	1	
30	09410139	Decal, Symbols-Injection hazard	1	
31	09410138	Decal, Symbols-Explosion/burn hazard	1	
32	09340070	Decal, Symbols-Non operating hand position	4	
33	09440212	Decal, Warning-Crushing hazard	3	
34	09340041	Decal, Label-Lanyard anchorage point	4	
35	09440332	Decal, Danger-Axle release hazard	1	
36	09140040	Decal, Platform control panel	1	
37	09140037	Decal, Platform control panel	1	
38	09140041	Decal, Platform control panel	1	
39	09140053	Decal, Platform control panel	1	
40	09140039	Decal, Platform control panel	1	
41	09140042	Decal, Platform control panel	1	
42	09340029	Decal, Instructions-Open/close	2	
43	09440439	Decal, Instructions-Work area	1	BT30HRT
	09440326	Decal, Instructions-Work area	1	BT28HRT

**8-1 Decals Installations (Continued)**

Item	Part Number	Description	Qty.	Remark
43	09440328	Decal, Instructions-Work area	1	BT26HRT
	09440329	Decal, Instructions-Work area	1	BT24HRT
	09440325	Decal, Instructions-Work area	1	BT30SHRT
	09440440	Decal, Instructions-Work area	1	BT28SHRT
	09440327	Decal, Instructions-Work area	1	BT26SHRT
	09440482	Decal, Instructions-Work area	1	BT28BHRT
	09440483	Decal, Instructions-Work area	1	BT26BHRT
	09440484	Decal, Instructions-Work area	1	BT24BHRT
44	09340026	Decal, Notice-Keep the manual with the machine	1	
45	09440186	Decal, Label-Capacity 300kg/454kg	1	BT30HRT BT30SHRT
	09440187	Decal, Label-Capacity 454kg	1	BT28HRT BT28SHRT BT28BHRT BT26HRT BT26SHRT BT26BHRT BT24HRT BT24BHRT

8-1 Decals Installations (Continued)

① 09630093 <b>BT30HRT</b>	① 09630092 <b>BT26SHRT</b>	⑤ 09310251 
① 09630094 <b>BT28HRT</b>	① 09630098 <b>BT28BHRT</b>	
① 09630095 <b>BT26HRT</b>	① 09630099 <b>BT26BHRT</b>	
① 09630096 <b>BT24HRT</b>	① 09630100 <b>BT24BHRT</b>	
① 09630083 <b>BT30SHRT</b>	② 09320014 	③ 09310366 
① 09630091 <b>BT28SHRT</b>	④ 09410117 	⑥ 09310527 
⑦ 09610083 <b>BT30HRT</b>	⑦ 09610082 <b>BT26SHRT</b>	⑧ 09410118 
⑦ 09610086 <b>BT24HRT</b>	⑦ 09610088 <b>BT28BHRT</b>	⑩ 09310370 
⑦ 09610084 <b>BT28HRT</b>	⑦ 09610089 <b>BT26BHRT</b>	⑪ 09310302 
⑦ 09610085 <b>BT26HRT</b>	⑦ 09610090 <b>BT24BHRT</b>	⑨ 09410151 
⑫ 09910113 <b>DINGLI</b>		⑮ 09310250 
⑫ 09910114 <b>DINGLI</b>		
⑫ 09910115 <b>DINGLI</b>		
⑫ 09910116 <b>DINGLI</b>		
⑬ 09330003 	⑬ 09330004 	⑭ 09330002 
⑯ 09410186 	⑰ 09310253 	⑱ 09410243 
	⑱ 09410156 	

8-1 Decals Installations (Continued)

<p>21 09910081</p>					<p>22 09310364</p>	
<p>21 09910082</p>					<p>23 09310325</p>	
<p>21 09910083</p>					<p>23 09310282</p>	
<p>21 09910084</p>					<p>23 09310283</p>	
<p>20 09410048</p>	<p>24 09310252</p>	<p>25 09310254</p>	<p>26 09410120</p>	<p>27 09410122</p>	<p>23 09310327</p>	
<p>28 09410123</p>	<p>29 09410187</p>	<p>30 09410139</p>	<p>31 09410138</p>	<p>32 09340070</p>	<p>33 09440212</p>	
<p>34 09340041</p>						
<p>35 09440332</p>	<p>36 09140040</p>	<p>37 09140037</p>	<p>38 09140041</p>			
<p>40 09140039</p>	<p>39 09140053</p>	<p>41 09140042</p>	<p>42 09340029</p>			
<p>43 09440439</p>	<p>43 09440326</p>					



8-1 Decals Installations (Continued)

43 09440328

**DANGER**

**ELECROUTION HAZARD**

- THIS MACHINE IS NOT INSULATED.
- MAINTAIN A CLEARANCE OF AT LEAST 10 FEET (3 METERS) BETWEEN ANY PART OF MACHINE OR LOAD AND ANY ELECTRICAL LINE OR APPARATUS CARRYING UP TO 50,000 VOLTS.
- ONE FOOT ADDITIONAL CLEARANCE IS REQUIRED FOR EVERY ADDITIONAL 30,000 VOLTS OR LESS.
- ALLOWANCES MUST BE MADE FOR OPERATOR ERROR, MACHINE DEFLECTION AND ELECTRICAL LINE SWAYING.
- DEATH OR SERIOUS INJURY WILL OCCUR FROM CONTACT OR BEING TOO CLOSE TO ELECTRICAL LINES.

**DAILY CHECK LIST**

- CHECK TYPES AND THEIR CONDITION.
- CHECK BOOM AND ALL CUT-OUT SWITCHES.
- CHECK SAFETY PROTECTION ITEMS.
- CHECK ALL OPERATIONS FOR MALFUNCTION.
- CHECK BRAKES.
- ENSURE THAT OPERATION AND SAFETY MANUAL IS WITH THE MACHINE.
- DO NOT OPERATE A MALFUNCTIONING MACHINE.
- CHECK THE ENGINE AND DRIVE SPEED CUT-OUT SWITCHES.
- CHECK THE MAXIMUM OPERATING SLOPE.

BT26RT BT26HRT

43 09440329

**DANGER**

**ELECROUTION HAZARD**

- THIS MACHINE IS NOT INSULATED.
- MAINTAIN A CLEARANCE OF AT LEAST 10 FEET (3 METERS) BETWEEN ANY PART OF MACHINE OR LOAD AND ANY ELECTRICAL LINE OR APPARATUS CARRYING UP TO 50,000 VOLTS.
- ONE FOOT ADDITIONAL CLEARANCE IS REQUIRED FOR EVERY ADDITIONAL 30,000 VOLTS OR LESS.
- ALLOWANCES MUST BE MADE FOR OPERATOR ERROR, MACHINE DEFLECTION AND ELECTRICAL LINE SWAYING.
- DEATH OR SERIOUS INJURY WILL OCCUR FROM CONTACT OR BEING TOO CLOSE TO ELECTRICAL LINES.

**DAILY CHECK LIST**

- CHECK TYPES AND THEIR CONDITION.
- CHECK BOOM AND ALL CUT-OUT SWITCHES.
- CHECK SAFETY PROTECTION ITEMS.
- CHECK ALL OPERATIONS FOR MALFUNCTION.
- CHECK BRAKES.
- ENSURE THAT OPERATION AND SAFETY MANUAL IS WITH THE MACHINE.
- DO NOT OPERATE A MALFUNCTIONING MACHINE.
- CHECK THE ENGINE AND DRIVE SPEED CUT-OUT SWITCHES.
- CHECK THE MAXIMUM OPERATING SLOPE.

BT24RT BT24HRT

43 09440325

**DANGER**

**ELECROUTION HAZARD**

- THIS MACHINE IS NOT INSULATED.
- MAINTAIN A CLEARANCE OF AT LEAST 10 FEET (3 METERS) BETWEEN ANY PART OF MACHINE OR LOAD AND ANY ELECTRICAL LINE OR APPARATUS CARRYING UP TO 50,000 VOLTS.
- ONE FOOT ADDITIONAL CLEARANCE IS REQUIRED FOR EVERY ADDITIONAL 30,000 VOLTS OR LESS.
- ALLOWANCES MUST BE MADE FOR OPERATOR ERROR, MACHINE DEFLECTION AND ELECTRICAL LINE SWAYING.
- DEATH OR SERIOUS INJURY WILL OCCUR FROM CONTACT OR BEING TOO CLOSE TO ELECTRICAL LINES.

**DAILY CHECK LIST**

- CHECK TYPES AND THEIR CONDITION.
- CHECK BOOM AND ALL CUT-OUT SWITCHES.
- CHECK SAFETY PROTECTION ITEMS.
- CHECK ALL OPERATIONS FOR MALFUNCTION.
- CHECK BRAKES.
- ENSURE THAT OPERATION AND SAFETY MANUAL IS WITH THE MACHINE.
- DO NOT OPERATE A MALFUNCTIONING MACHINE.
- CHECK THE ENGINE AND DRIVE SPEED CUT-OUT SWITCHES.
- CHECK THE MAXIMUM OPERATING SLOPE.

BT30SRT BT30SHRT

43 09440440

**DANGER**

**ELECROUTION HAZARD**

- THIS MACHINE IS NOT INSULATED.
- MAINTAIN A CLEARANCE OF AT LEAST 10 FEET (3 METERS) BETWEEN ANY PART OF MACHINE OR LOAD AND ANY ELECTRICAL LINE OR APPARATUS CARRYING UP TO 50,000 VOLTS.
- ONE FOOT ADDITIONAL CLEARANCE IS REQUIRED FOR EVERY ADDITIONAL 30,000 VOLTS OR LESS.
- ALLOWANCES MUST BE MADE FOR OPERATOR ERROR, MACHINE DEFLECTION AND ELECTRICAL LINE SWAYING.
- DEATH OR SERIOUS INJURY WILL OCCUR FROM CONTACT OR BEING TOO CLOSE TO ELECTRICAL LINES.

**DAILY CHECK LIST**

- CHECK TYPES AND THEIR CONDITION.
- CHECK BOOM AND ALL CUT-OUT SWITCHES.
- CHECK SAFETY PROTECTION ITEMS.
- CHECK ALL OPERATIONS FOR MALFUNCTION.
- CHECK BRAKES.
- ENSURE THAT OPERATION AND SAFETY MANUAL IS WITH THE MACHINE.
- DO NOT OPERATE A MALFUNCTIONING MACHINE.
- CHECK THE ENGINE AND DRIVE SPEED CUT-OUT SWITCHES.
- CHECK THE MAXIMUM OPERATING SLOPE.

BT28SRT BT28SHRT

43 09440327

**DANGER**

**ELECROUTION HAZARD**

- THIS MACHINE IS NOT INSULATED.
- MAINTAIN A CLEARANCE OF AT LEAST 10 FEET (3 METERS) BETWEEN ANY PART OF MACHINE OR LOAD AND ANY ELECTRICAL LINE OR APPARATUS CARRYING UP TO 50,000 VOLTS.
- ONE FOOT ADDITIONAL CLEARANCE IS REQUIRED FOR EVERY ADDITIONAL 30,000 VOLTS OR LESS.
- ALLOWANCES MUST BE MADE FOR OPERATOR ERROR, MACHINE DEFLECTION AND ELECTRICAL LINE SWAYING.
- DEATH OR SERIOUS INJURY WILL OCCUR FROM CONTACT OR BEING TOO CLOSE TO ELECTRICAL LINES.

**DAILY CHECK LIST**

- CHECK TYPES AND THEIR CONDITION.
- CHECK BOOM AND ALL CUT-OUT SWITCHES.
- CHECK SAFETY PROTECTION ITEMS.
- CHECK ALL OPERATIONS FOR MALFUNCTION.
- CHECK BRAKES.
- ENSURE THAT OPERATION AND SAFETY MANUAL IS WITH THE MACHINE.
- DO NOT OPERATE A MALFUNCTIONING MACHINE.
- CHECK THE ENGINE AND DRIVE SPEED CUT-OUT SWITCHES.
- CHECK THE MAXIMUM OPERATING SLOPE.

BT26SRT BT26SHRT

43 09440482

**DANGER**

**ELECROUTION HAZARD**

- THIS MACHINE IS NOT INSULATED.
- MAINTAIN A CLEARANCE OF AT LEAST 10 FEET (3 METERS) BETWEEN ANY PART OF MACHINE OR LOAD AND ANY ELECTRICAL LINE OR APPARATUS CARRYING UP TO 50,000 VOLTS.
- ONE FOOT ADDITIONAL CLEARANCE IS REQUIRED FOR EVERY ADDITIONAL 30,000 VOLTS OR LESS.
- ALLOWANCES MUST BE MADE FOR OPERATOR ERROR, MACHINE DEFLECTION AND ELECTRICAL LINE SWAYING.
- DEATH OR SERIOUS INJURY WILL OCCUR FROM CONTACT OR BEING TOO CLOSE TO ELECTRICAL LINES.

**DAILY CHECK LIST**

- CHECK TYPES AND THEIR CONDITION.
- CHECK BOOM AND ALL CUT-OUT SWITCHES.
- CHECK SAFETY PROTECTION ITEMS.
- CHECK ALL OPERATIONS FOR MALFUNCTION.
- CHECK BRAKES.
- ENSURE THAT OPERATION AND SAFETY MANUAL IS WITH THE MACHINE.
- DO NOT OPERATE A MALFUNCTIONING MACHINE.
- CHECK THE ENGINE AND DRIVE SPEED CUT-OUT SWITCHES.
- CHECK THE MAXIMUM OPERATING SLOPE.

BT28BRT BT28BHRT

43 09440483

**DANGER**

**ELECROUTION HAZARD**

- THIS MACHINE IS NOT INSULATED.
- MAINTAIN A CLEARANCE OF AT LEAST 10 FEET (3 METERS) BETWEEN ANY PART OF MACHINE OR LOAD AND ANY ELECTRICAL LINE OR APPARATUS CARRYING UP TO 50,000 VOLTS.
- ONE FOOT ADDITIONAL CLEARANCE IS REQUIRED FOR EVERY ADDITIONAL 30,000 VOLTS OR LESS.
- ALLOWANCES MUST BE MADE FOR OPERATOR ERROR, MACHINE DEFLECTION AND ELECTRICAL LINE SWAYING.
- DEATH OR SERIOUS INJURY WILL OCCUR FROM CONTACT OR BEING TOO CLOSE TO ELECTRICAL LINES.

**DAILY CHECK LIST**

- CHECK TYPES AND THEIR CONDITION.
- CHECK BOOM AND ALL CUT-OUT SWITCHES.
- CHECK SAFETY PROTECTION ITEMS.
- CHECK ALL OPERATIONS FOR MALFUNCTION.
- CHECK BRAKES.
- ENSURE THAT OPERATION AND SAFETY MANUAL IS WITH THE MACHINE.
- DO NOT OPERATE A MALFUNCTIONING MACHINE.
- CHECK THE ENGINE AND DRIVE SPEED CUT-OUT SWITCHES.
- CHECK THE MAXIMUM OPERATING SLOPE.

BT26BRT BT26BHRT

43 09440484

**DANGER**

**ELECROUTION HAZARD**

- THIS MACHINE IS NOT INSULATED.
- MAINTAIN A CLEARANCE OF AT LEAST 10 FEET (3 METERS) BETWEEN ANY PART OF MACHINE OR LOAD AND ANY ELECTRICAL LINE OR APPARATUS CARRYING UP TO 50,000 VOLTS.
- ONE FOOT ADDITIONAL CLEARANCE IS REQUIRED FOR EVERY ADDITIONAL 30,000 VOLTS OR LESS.
- ALLOWANCES MUST BE MADE FOR OPERATOR ERROR, MACHINE DEFLECTION AND ELECTRICAL LINE SWAYING.
- DEATH OR SERIOUS INJURY WILL OCCUR FROM CONTACT OR BEING TOO CLOSE TO ELECTRICAL LINES.

**DAILY CHECK LIST**

- CHECK TYPES AND THEIR CONDITION.
- CHECK BOOM AND ALL CUT-OUT SWITCHES.
- CHECK SAFETY PROTECTION ITEMS.
- CHECK ALL OPERATIONS FOR MALFUNCTION.
- CHECK BRAKES.
- ENSURE THAT OPERATION AND SAFETY MANUAL IS WITH THE MACHINE.
- DO NOT OPERATE A MALFUNCTIONING MACHINE.
- CHECK THE ENGINE AND DRIVE SPEED CUT-OUT SWITCHES.
- CHECK THE MAXIMUM OPERATING SLOPE.

BT24BRT BT24BHRT

44 09340026



45 09440186

**CAPACITY 300kg/454kg**

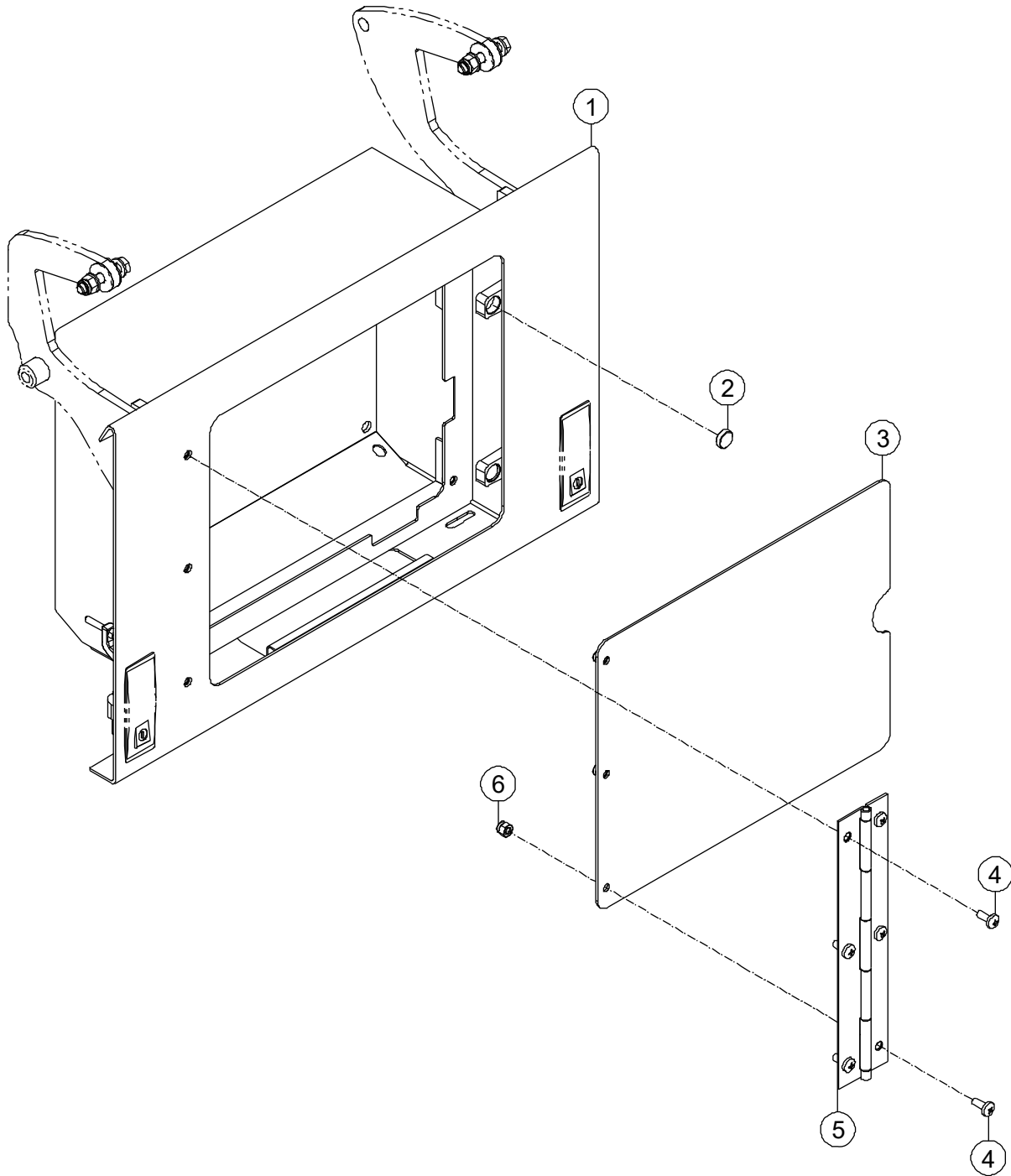
45 09440187

**CAPACITY 454kg**

# **Section 9 Special Options**



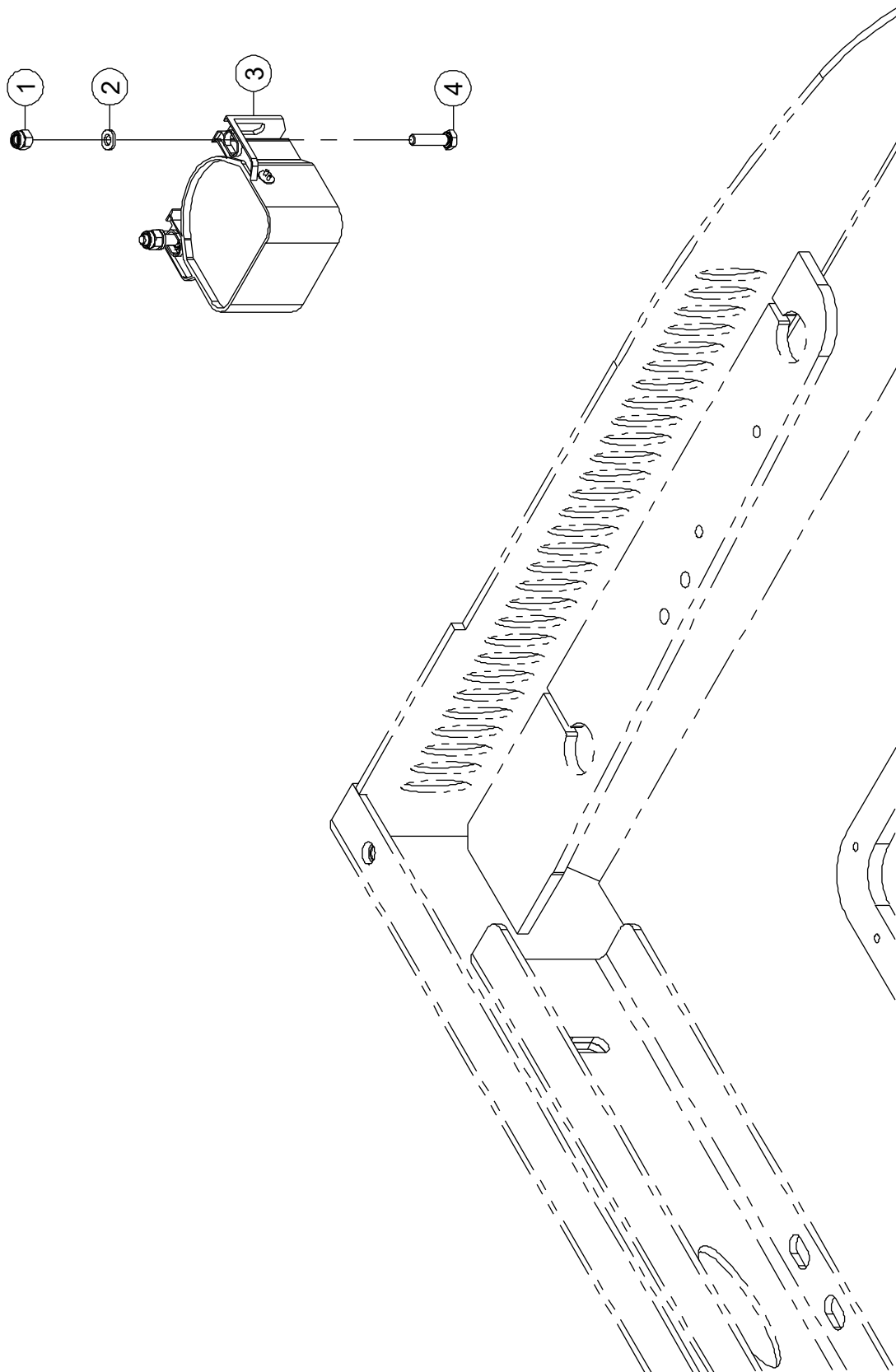
### 9-1 Ground Control Box Housing Installations



**9-1 Ground Control Box Housing Installations**

Item	Part Number	Description	Qty.	Remark
1	92100784	Ground Control Box	1	
2	10002550	Magnet	2	
3	92100788	Control door plate	1	
4	00001231	Screw GB/T 818 M6 × 14 - H	6	
5	92100786	Hinge	1	
6	00001033	Nut GB/T 6182 M6	3	

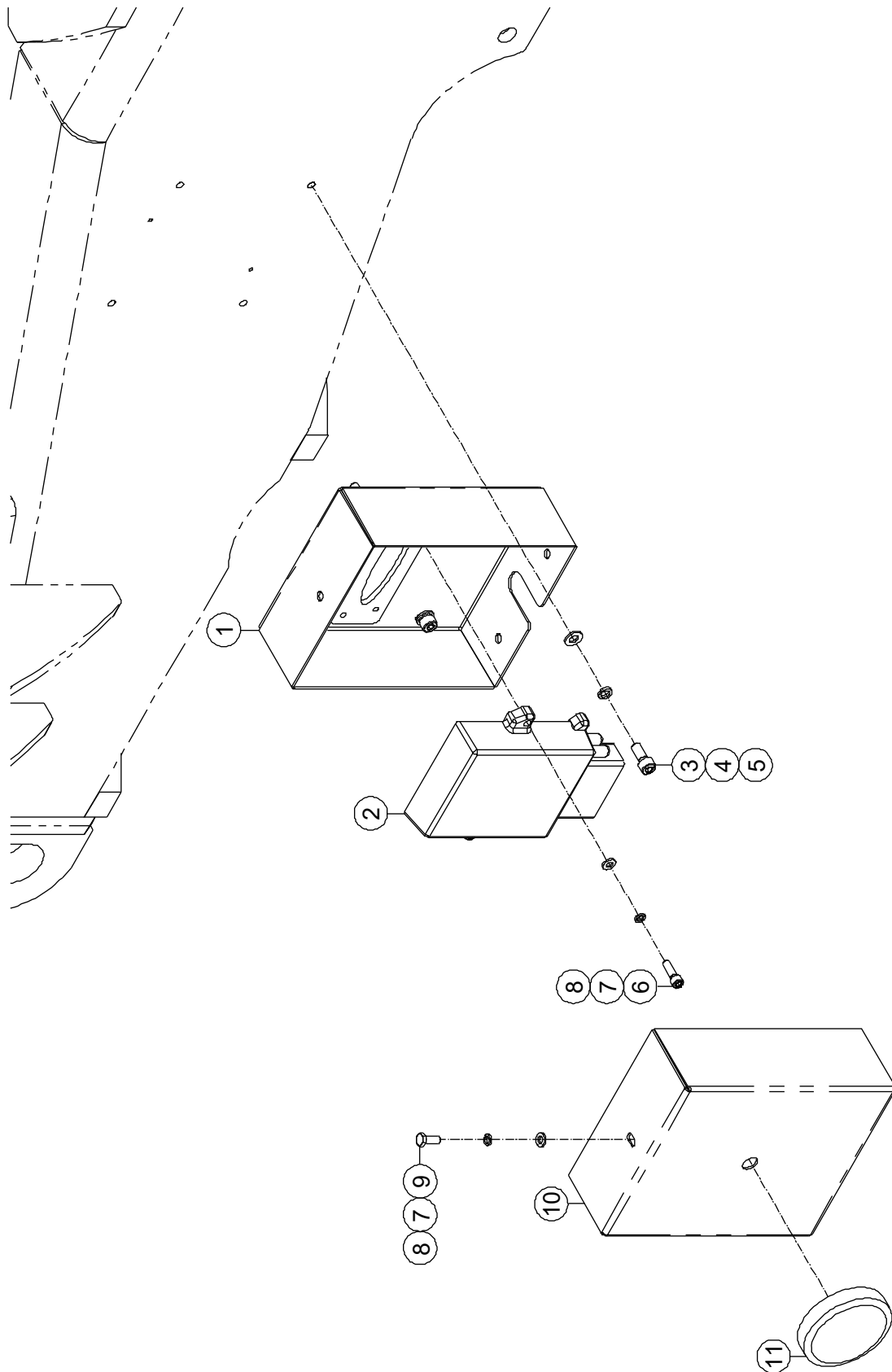
### 9-2 Alarm Installations



**9-2 Alarm Installations**

Item	Part Number	Description	Qty.	Remark
1	00001033	Nut GB/T 6182 M6	2	
2	00000620	Flat Washer GB/T 97.1 6	2	
3	00004438	Alarm	1	
4	00000619	Bolt GB/T 5783 M6 × 25	2	

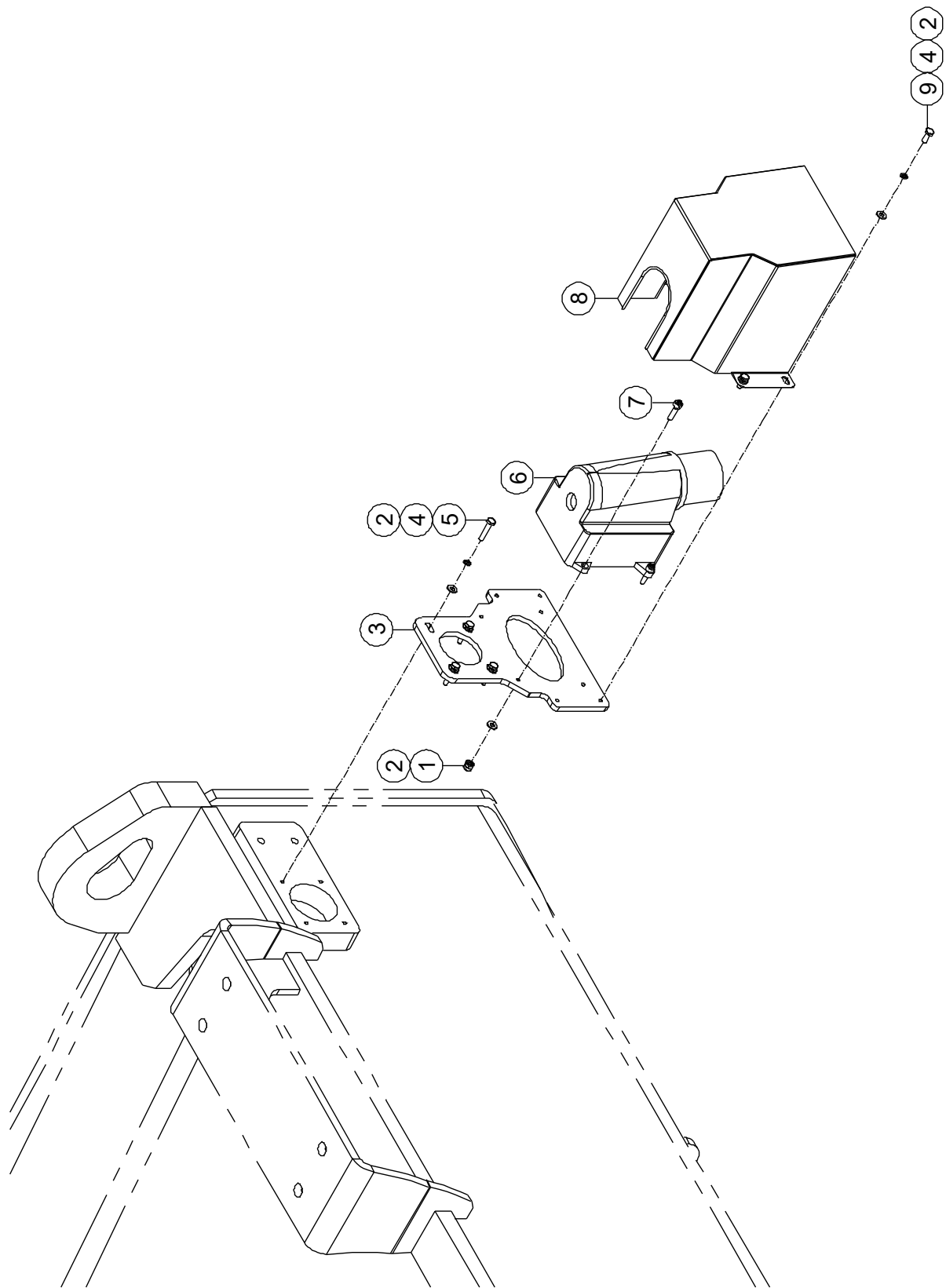
### 9-3 GPS Module Installations



**9-3 GPS Module Installations**

Item	Part Number	Description	Qty.	Remark
1	92100897	Bracket	1	
2	00007339	IOT Module	1	
3	00001061	Screw GB/T 70 M8 × 20	4	
4	00000609	Spring Washer GB/T 93 8	4	
5	00000608	Flat Washer GB/T 97.1 8	4	
6	00000774	Screw GB/T 70 M6 × 20	2	
7	00000621	Spring Washer GB/T 93 6	5	
8	00000620	Flat Washer GB/T 97.1 6	5	
9	00000818	Bolt GB/T 5783 M6 × 16	3	
10	92100896	Cover	1	
11	00007340	GPS Antenna	1	

### 9-4 AC Plug Assembly

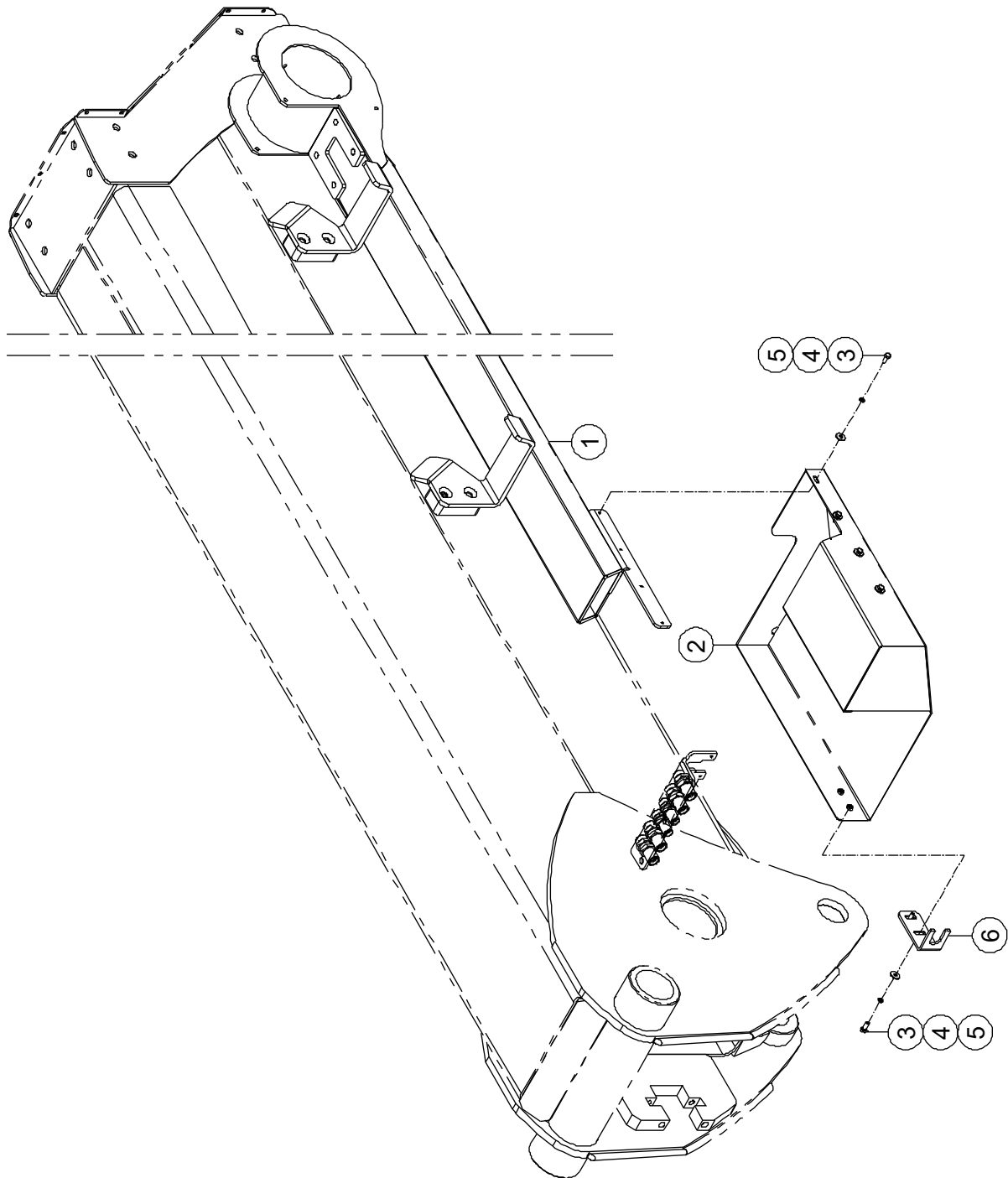


**9-4 AC Plug Assembly**

Item	Part Number	Description	Qty.	Remark
1	00001236	Nut GB/T 889.1 M4	4	
2	00000778	Flat Washer GB/T 97.1 4	12	
3	92100746	Support	1	
4	00000779	Spring Washer GB/T 93 4	8	
5	00002730	Bolt GB/T 5783 M4 × 20	4	
6	00002929	Plug	1	
7	00000604	Screw GB/T 70.1 M4×16	4	
8	92100747	Housing	1	
9	00002511	Bolt GB/T 5783 M4 × 10	4	



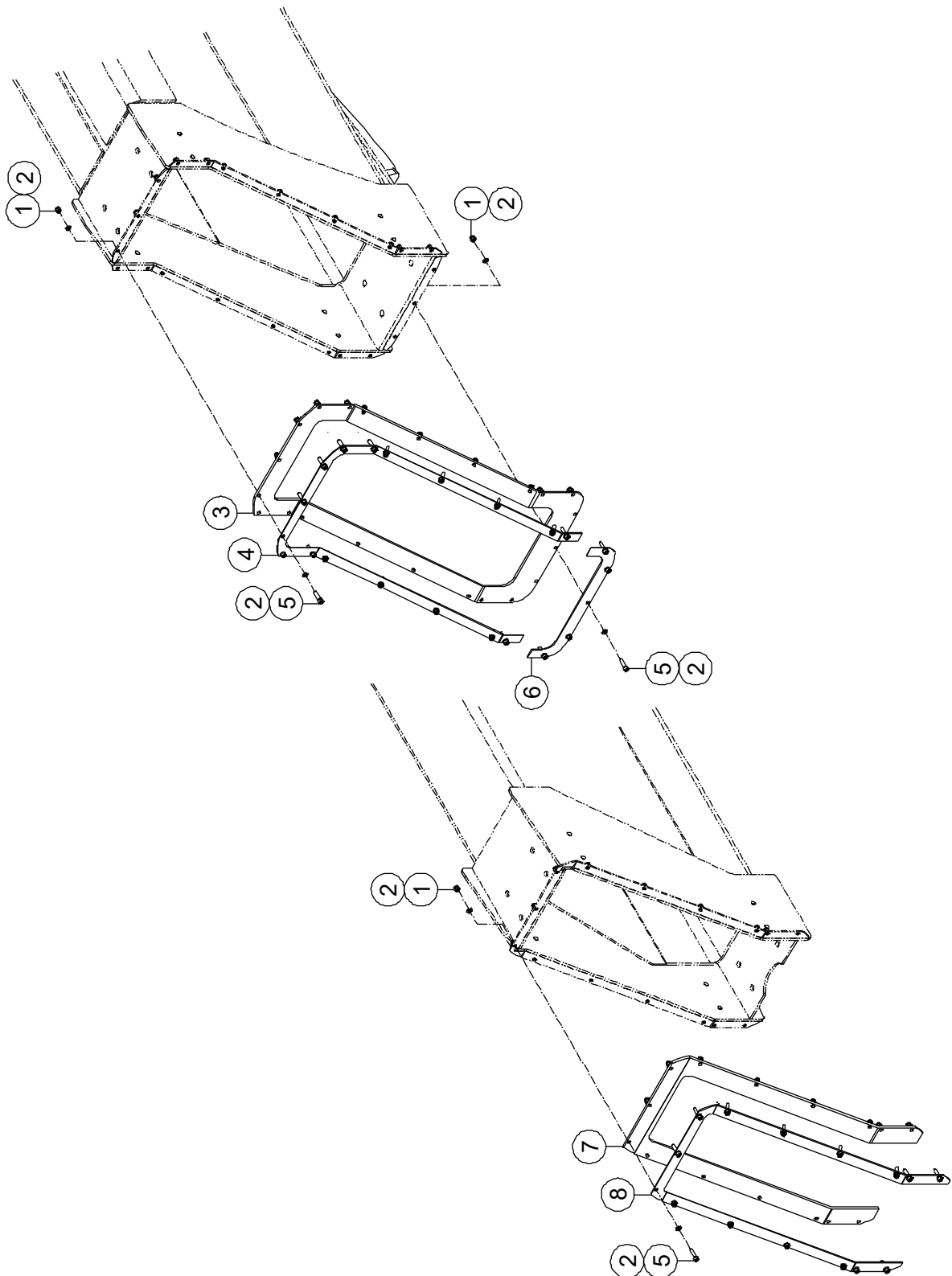
### 9-5 Tube Housing Installations



**9-5 Tube Housing Installations**

Item	Part Number	Description	Qty.	Remark
1	92101296	Channel	1	BT30HRT
	92100741	Channel	1	BT30SHRT BT28HRT BT28BHRT
	92101158	Channel	1	BT28SHRT BT26HRT BT26BHRT
	92101156	Channel	1	BT26SHRT BT24HRT BT24BHRT
2	92100735	Housing	1	
3	00000818	Bolt GB/T 5783 M6 × 16	6	
4	00000621	Spring Washer GB/T 93 6	6	
5	00002583	Flat Washer GB/T 96.1 6	6	
6	92100740	Bracket	1	

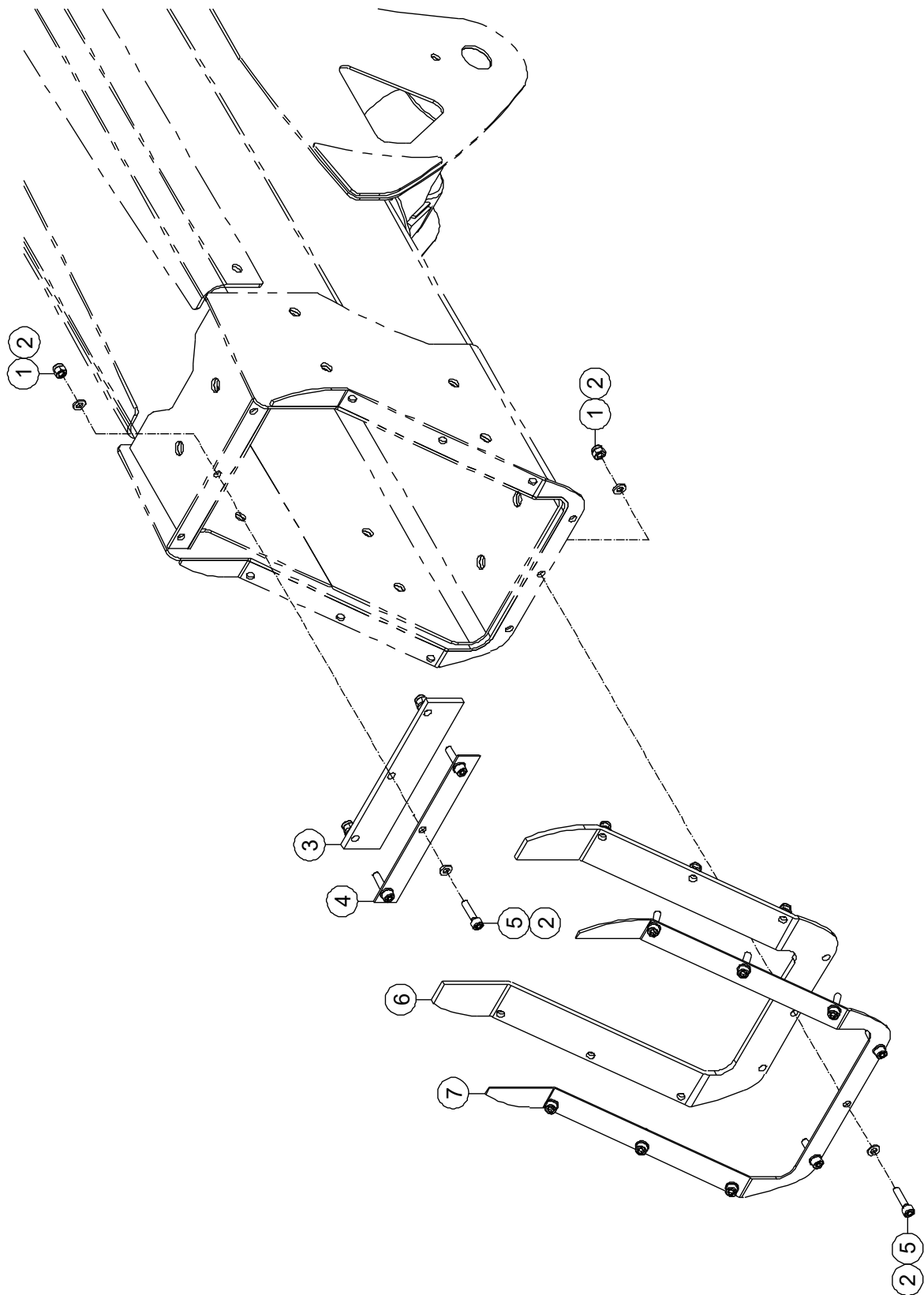
### 9-6 Boom Shield Installations



**9-6 Boom Shield Installations**

Item	Part Number	Description	Qty.	Remark
1	00001033	Nut GB/T 6182 M6	37	
2	00000620	Flat Washer GB/T 97.1 6	74	
3	92100795	Guard (Rubber)	1	
4	92100797	Plate	1	
5	00001034	Screw GB/T 70 M6 × 25	37	
6	92100799	Plate	1	
7	92100796	Guard (Rubber)	1	
8	92100798	Plate	1	

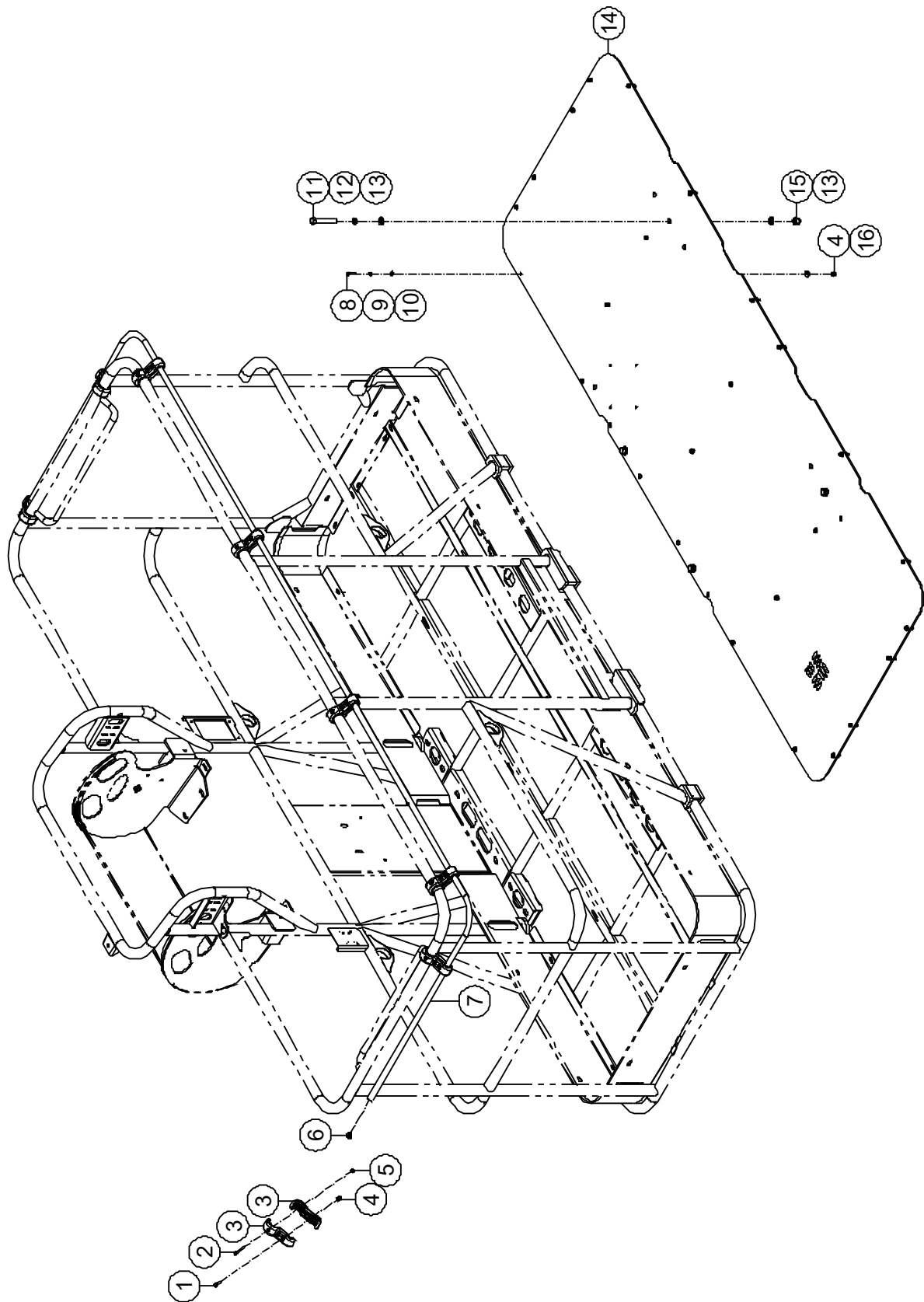
**9-7 JIB Shield Installations (BT30SHRT, BT28SHRT, BT26SHRT)**



**9-7 JIB Shield Installations (BT30SHRT, BT28SHRT, BT26SHRT)**

Item	Part Number	Description	Qty.	Remark
1	00001033	Nut GB/T 6182 M6	12	
2	00000620	Flat Washer GB/T 97.1 6	24	
3	92100801	Guard (Rubber)	1	
4	92100803	Plate	1	
5	00001034	Screw GB/T 70 M6 × 25	12	
6	92100800	Guard (Rubber)	1	
7	92100802	Plate	1	

9-8 Platform Accessories 1

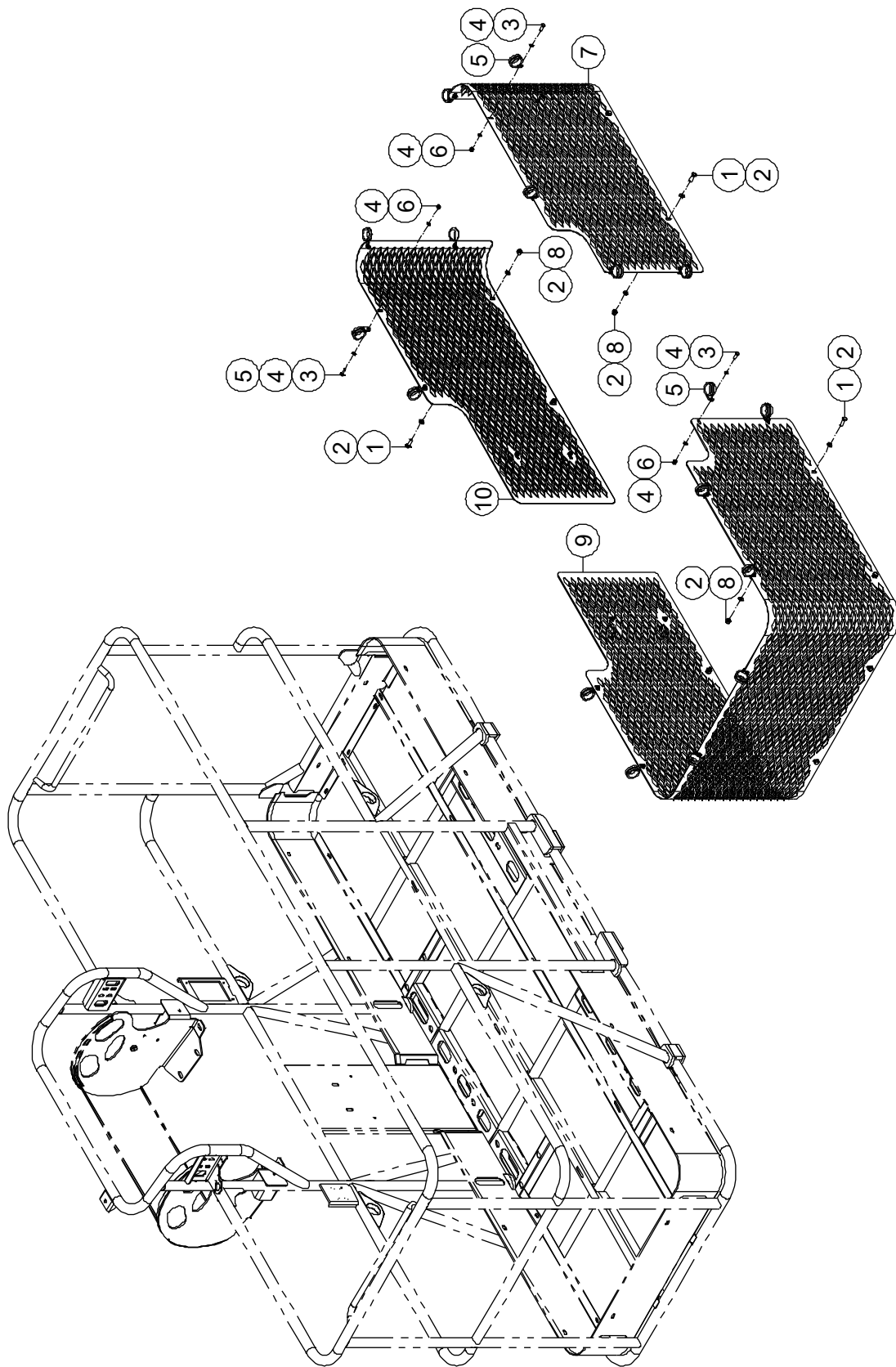


**9-8 Platform Accessories 1**

Item	Part Number	Description	Qty.	Remark
1	00001034	Screw GB/T 70 M6 × 25	16	
2	00002505	Screw GB/T 70 M5 × 50	8	
3	10007023	Pinch Guard Support	16	
4	00001033	Nut GB/T 6182 M6	40	
5	00000613	Nut GB/T 6182 M5	8	
6	92100821	Plug	2	
7	92100767	Pinch Guard	1	
8	00000619	Bolt GB/T 5783 M6 × 25	24	
9	00000621	Spring Washer GB/T 93 6	24	
10	00000620	Flat Washer GB/T 97.1 6	24	
11	00002527	Bolt GB/T 5782 M12 × 80	4	
12	00000815	Spring Washer GB/T 93 12	4	
13	00000814	Flat Washer GB/T 97.1 12	8	
14	92100777	Deck Plate	1	
15	00001249	Nut GB/T 6182 M12	4	
16	00002583	Flat Washer GB/T 96.1 6	24	



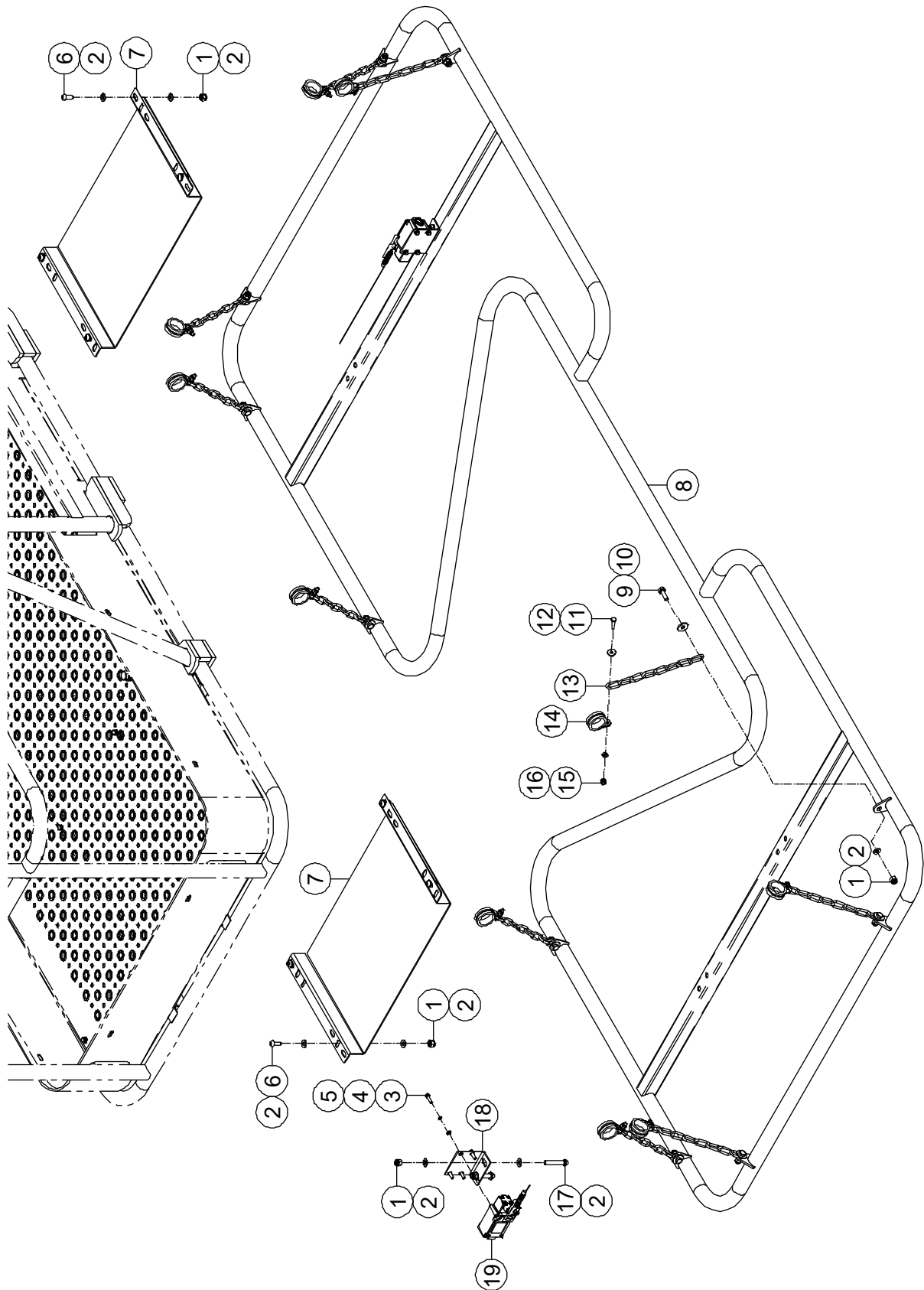
9-9 Platform Accessories 2



**9-9 Platform Accessories 2**

Item	Part Number	Description	Qty.	Remark
1	00000993	Bolt GB/T 5783 M8 × 25	10	
2	00000608	Flat Washer GB/T 97.1 8	20	
3	00000743	Bolt GB/T 5783 M6 × 20	22	
4	00000620	Flat Washer GB/T 97.1 6	44	
5	92100782	Clamp	22	
6	00001033	Nut GB/T 6182 M6	22	
7	92100781	Panel, Half Mesh	1	
8	00001163	Nut GB/T 6182 M8	10	
9	92100779	Panel, Half Mesh	1	
10	92100780	Panel, Half Mesh	1	

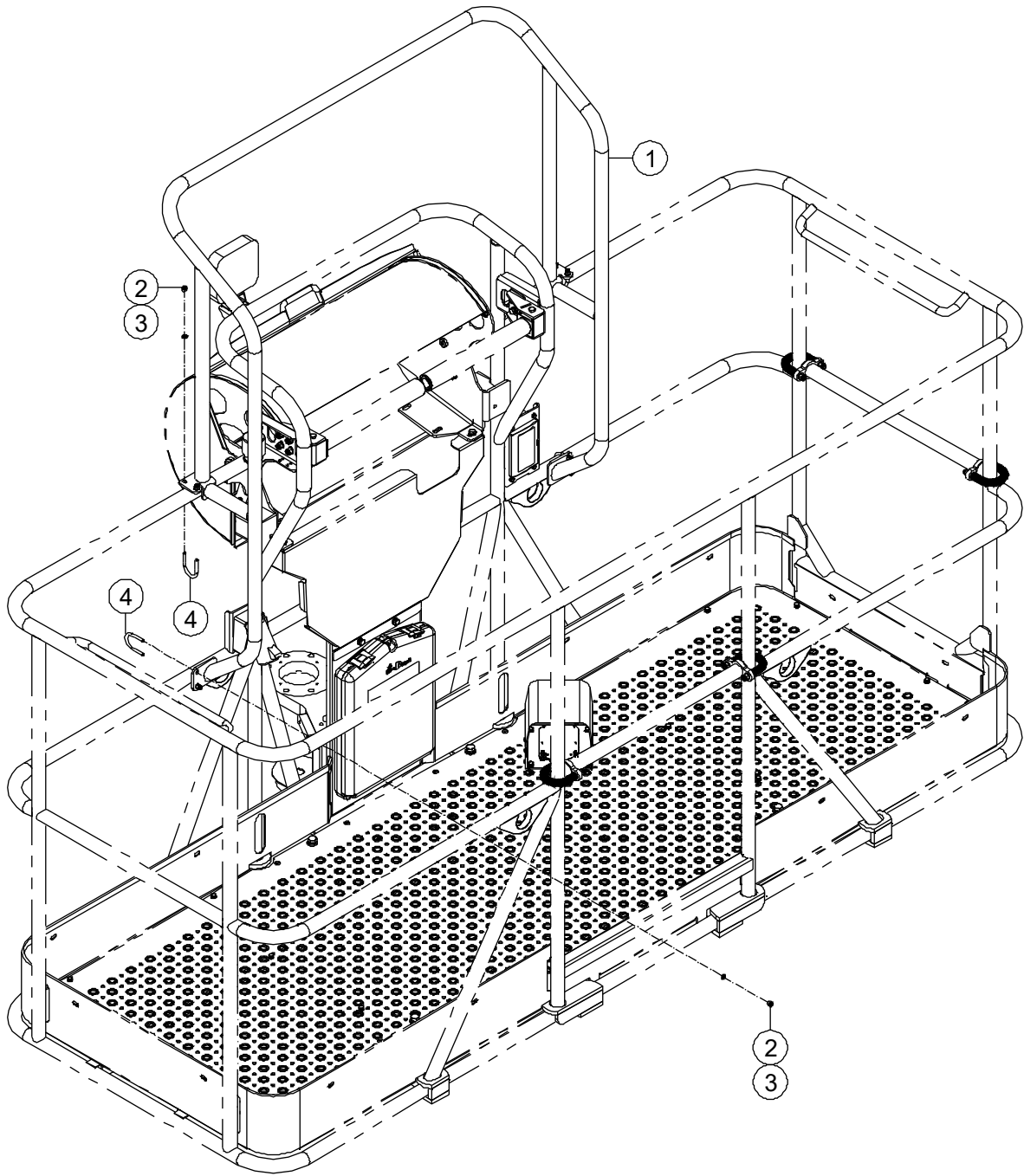
### 9-10 Platform Accessories 3



**9-10 Platform Accessories 3**

Item	Part Number	Description	Qty.	Remark
1	00001163	Nut GB/T 6182 M8	22	
2	00000608	Flat Washer GB/T 97.1 8	34	
3	00002268	Bolt GB/T 5783 M5 × 20	8	
4	00000606	Spring Washer GB/T 93 5	8	
5	00000605	Flat Washer GB/T 97.1 5	8	
6	00001188	Screw GB/T 70.2 M8×20	8	
7	92101394	Bracket	2	
8	92101389	Support	1	
9	00000993	Bolt GB/T 5783 M8 × 25	10	
10	00002000	Flat Washer GB/T 96.1 8	10	
11	00000619	Bolt GB/T 5783 M6 × 25	10	
12	00002583	Flat Washer GB/T 96.1 6	10	
13	92101400	Chain	10	
14	92100782	Clamp	10	
15	00001033	Nut GB/T 6182 M6	10	
16	00000620	Flat Washer GB/T 97.1 6	10	
17	00003607	Bolt GB/T 5783 M8 × 50	4	
18	92101396	Bracket	2	
19	00009340	Switch, Limit	2	

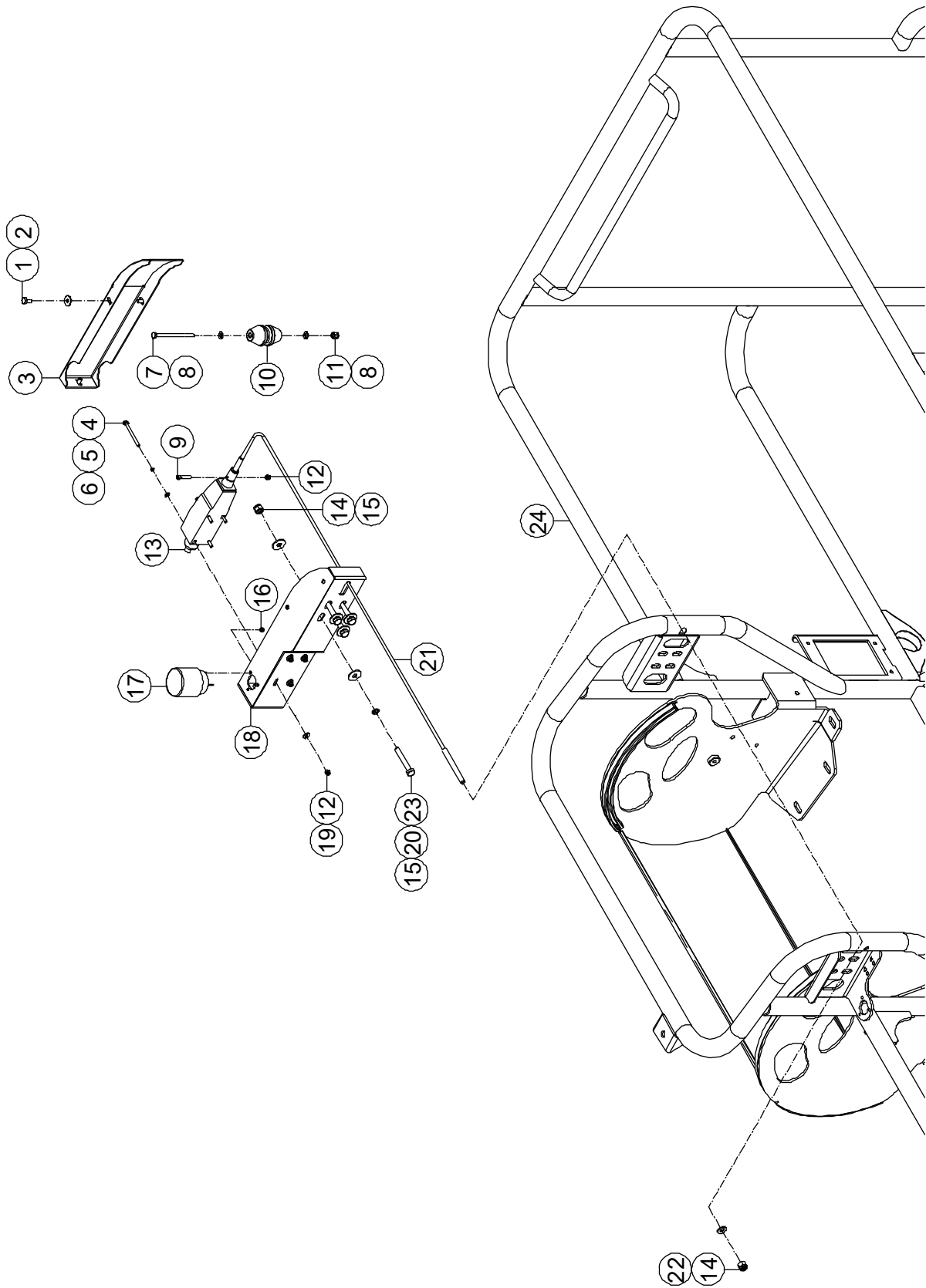
9-11 Platform Accessories 4



**9-14 Platform Accessories 4**

Item	Part Number	Description	Qty.	Remark
1	92101036	Pinch Guard	1	
2	00001033	Nut GB/T 6182 M6	8	
3	00000620	Flat Washer GB/T 97.1 6	8	
4	92101043	Clamp	4	

9-12 Lift Guard Contact Alarm

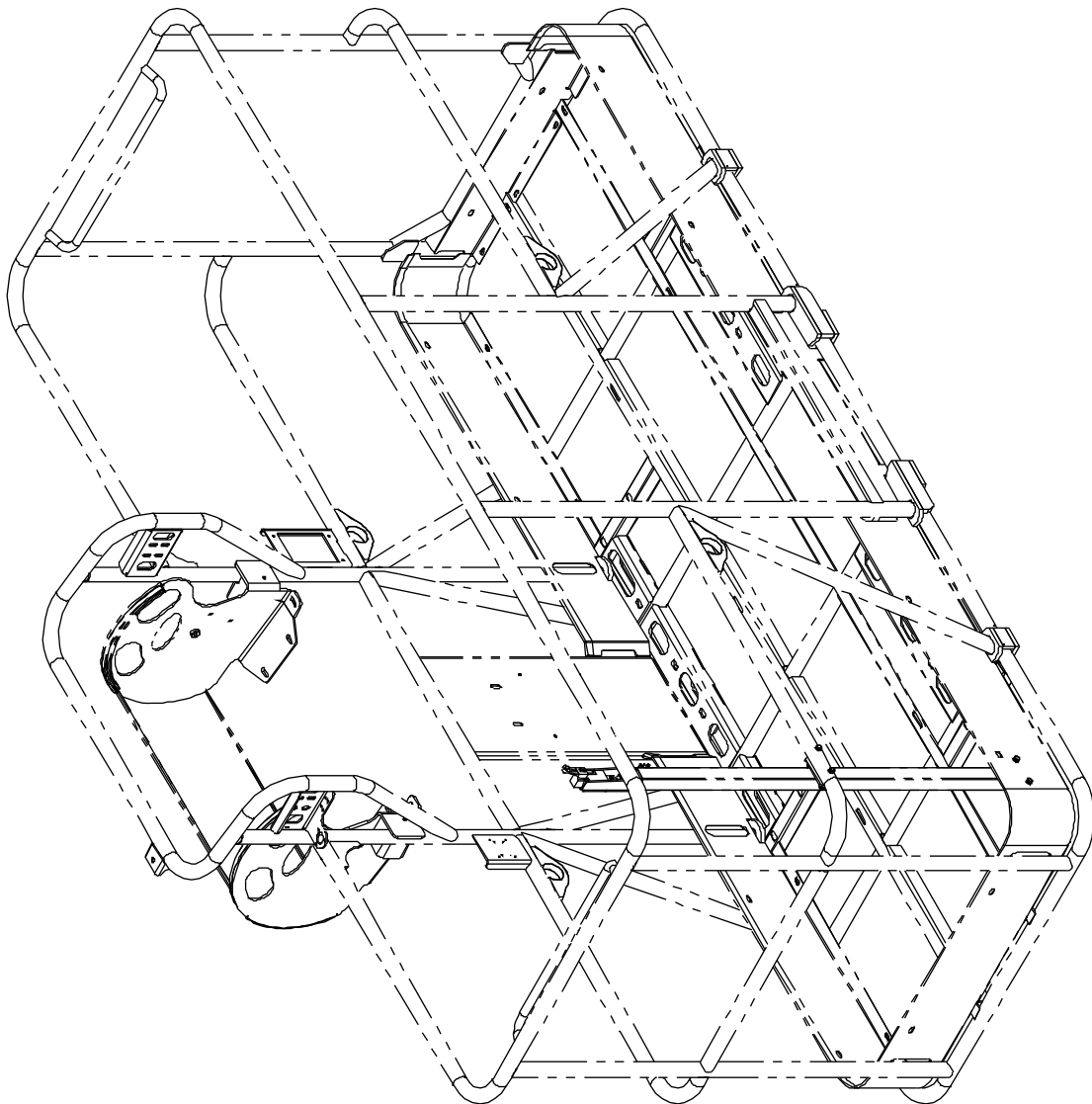
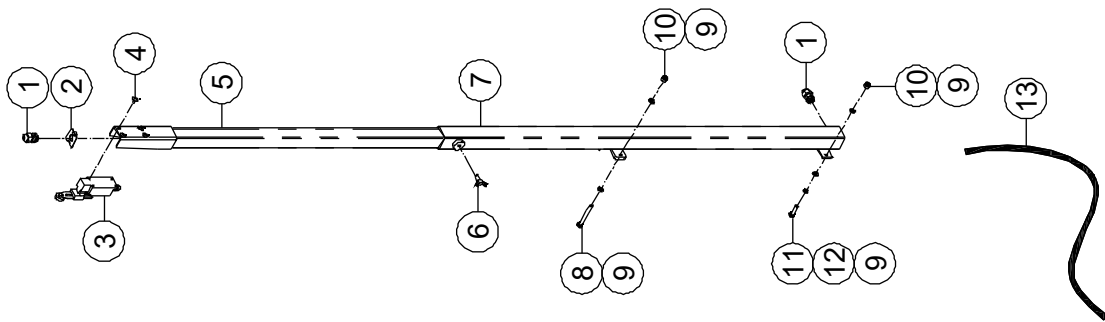


**9-12 Lift Guard Contact Alarm**

Item	Part Number	Description	Qty.	Remark
1	00000745	Bolt GB/T 5783 M6 × 12	3	
2	00002583	Flat Washer GB/T 96.1 6	3	
3	92100775	Housing	1	
4	00005191	Bolt GB/T 5783 M4 × 55	4	
5	00000779	Spring Washer GB/T 93 4	4	
6	00000778	Flat Washer GB/T 97.1 4	4	
7	00007023	Bolt GB/T 5782 M6 × 80	1	
8	00000620	Flat Washer GB/T 97.1 6	2	
9	00002228	Screw GB/T 70 M4 × 25	1	
10	92100774	Roller	1	
11	00001033	Nut GB/T 6182 M6	1	
12	00001236	Nut GB/T 889.1 M4	5	
13	00005189	Pull-Wire Switch	1	
14	00001163	Nut GB/T 6182 M8	5	
15	00002000	Flat Washer GB/T 96.1 8	8	
16	00003700	Nut GB/T 889.1 M3	3	
17	00005190	Beacon	1	
18	92100770	Bracket	1	
19	00003610	Flat Washer GB/T 96.1 4	4	
20	00000609	Spring Washer GB/T 93 8	4	
21	92100773	Wire Rope Fastener	1	
22	00000608	Flat Washer GB/T 97.1 8	1	
23	00002507	Bolt GB/T 5783 M8 × 55	4	
24	92100778	Platform	1	



### 9-13 Anti-collision Device Installations



**9-13 Anti-collision Device Installations**

Item	Part Number	Description	Qty.	Remark
1	00001825	M12 Clamp	4	
2	10001599	Bracket, Limit Switch	2	
3	00002354	Limit Switch	2	
4	00000999	Screw GB/T 973 M5×10	8	
5	10001645	Pole	2	
6	00002586	Screw M8×16	2	
7	10001644	Pole	2	
8	00001066	Bolt GB/T 5782 M6 × 55	4	
9	00000620	Flat Washer GB/T 97.1 6	16	
10	00001033	Nut GB/T 6182 M6	8	
11	00000619	Bolt GB/T 5783 M6 × 25	4	
12	00000621	Spring Washer GB/T 93 6	8	
13	00006839	3.4m Harness	2	



---

## **DINGLI AWP INDIA PRIVATE LIMITED**

Address: Sahney Towers, 81, First Floor, Poonamallee High Road, Nerkundram,

Chennai, Tamil Nadu - 600 107

Telephone: +91-98846 48464

E-mail: [support@dinglisaarc.com](mailto:support@dinglisaarc.com)

Website: [www.dinglisaarc.com](http://www.dinglisaarc.com)

---

**DINGLI**