

# DINGLI

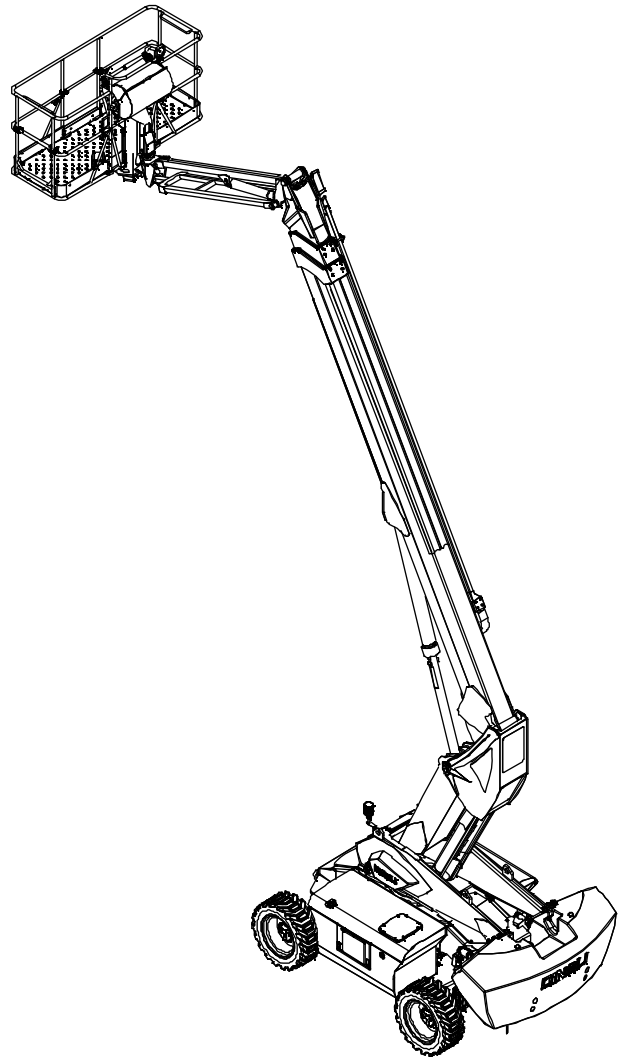
*Exceed · New Height*

## Parts Manual

**BT22RT**

**BT22BRT**

From SN BTR2200023C0234 to  
BTR2200023F0166



Part Number: SM032320111

Version Number: Rev1.0

August 2023 Printing

# DINGLI



## Foreword

We are very appreciated for your interesting with Dingli machine and choosing it for your application. Our priority above all is you can use the machine safely for your application and you can benefit from the Dingli machine mostly. For these reason we hope you can:

1. Comply with employer, job site and local governmental rules.
2. Safeguard your commitment to quality by always using genuine Dingli spare parts. Remember, Dingli cannot accept responsibility for the failure of a separator equipped with non-original spare parts. We guarantee the quality and reliability of our products.
3. All sketch maps of parts shown in this manual are for reference only, it is the practical that counts. This manual includes all the latest information up to the date when it was printed. All responsibilities for the revision and explanation of the manual rest with the Dingli. We also preserve the right to edit the technology characteristic and content of the manual.
4. Anyone who read the manual or used the machine, is encouraged to notify Dingli Machinery Co, Ltd of any errors or send in suggestions for improvement. All communications will be carefully considered for future printings of this and other manuals, certainly if you have any question about the machine, please contact with our team by dialing technical support phone, sending email, or any methods you want, etc. Our contact information as bellow:

Please contact with:

**DINGLI AWP INDIA PRIVATE LIMITED**

**Phone:** +91-98846 48464

**Email:** support@dinglisaarc.com



## Table of Contents

### Section 1 Chassis

1-1	Axle Installations .....	2
1-2	Axle Lockout Cylinder Installations .....	4
1-3	Tire and Wheel Installations .....	6
1-4	Slewing Ring Installations.....	8
1-5	Rotary Coupling Installations .....	10
1-6	Chassis Components .....	12
1-7	Front Axle Accessory (Stage IV) .....	14
1-8	Rear Axle Accessory (Stage IV).....	16
1-9	Rear Axle Accessory (Stage V).....	18
1-10	Relief Valve .....	20
1-11	Chassis Manifold .....	22
1-12	Engine Module Assembly 1 .....	24
1-13	Engine Module Assembly 2 .....	26
1-14	Power Switch Installations.....	28
1-15	Engine Cooling System Installations 1.....	30
1-16	Hydraulic Motor .....	32
1-17	Engine Cooling System Installations 2 (Stage IV) .....	34
1-18	Engine Cooling System Installations 2 (Stage V) .....	36
1-19	Engine Cooling System Installations 3.....	38
1-20	Engine and Pump Installations .....	40
1-21	Fuel Filter Installations .....	42
1-22	Engine Fuel System Installations.....	44
1-24	Engine Suction System Installations (Stage IV) .....	46
1-24	Engine Exhaust System Installations (Stage IV) .....	48
1-25	Engine Suction System Installations (Stage V) .....	50
1-26	Engine Exhaust System Installations (Stage V) .....	52
1-27	Hydraulic Module Assembly 1 .....	54
1-28	Hydraulic Module Assembly 2.....	57
1-29	Ground Control Box Assembly.....	59
1-30	Chassis Clamp Installations 1.....	61
1-31	Chassis Clamp Installations 2.....	63
1-32	Chassis Clamp Installations 3.....	65

1-33	Chassis Clamp Installations 4.....	67
1-34	Grease System Installations .....	69
<b>Section 2 Turntable</b>		
2-1	Turntable Accessories Installations 1.....	72
2-2	Turntable Accessories Installations 2.....	74
2-3	PVG Valve Block (Standard).....	76
2-4	PVG Valve Block (Optional).....	79
2-5	Counterweight Installations .....	82
<b>Section 3 Boom</b>		
3-1	Linkage Installations 1.....	85
3-2	Linkage Installations 2.....	87
3-3	Linkage and Boom Installations.....	89
3-4	Lifting Cylinder Assembly and Boom Installations .....	91
3-5	Telescopic Boom.....	93
3-6	Base Boom Sliding Block Installations .....	95
3-7	Second Boom Sliding Block Installations 1 .....	97
3-8	Second Boom Sliding Block Installations 2.....	99
3-9	Third Boom Sliding Block Installations .....	101
3-10	Boom Shield Installations .....	103
3-11	Telescopic System Installations .....	105
3-12	Carrier System Installations 1.....	108
3-13	Carrier System Installations 2.....	110
3-14	JIB Leveling Cylinder Assembly Installations (BT22RT) .....	112
3-15	JIB Leveling Cylinder Assembly Installations (BT22BRT).....	114
3-16	Telescopic Boom and Articulating JIB Installations (BT22RT) .....	116
3-17	Telescopic Boom and Linkage Installations (BT22BRT).....	118
3-18	Telescopic Boom and Articulating JIB Installations (BT22BRT).....	120
3-19	Articulating JIB Installations.....	122
3-20	Rotate Cylinder Assembly Installations .....	124
3-21	Articulating JIB Valve Block Installations.....	127
3-22	Valve Block .....	129
<b>Section 4 Platform</b>		
4-1	Platform Installations .....	132
4-2	Platform Assembly .....	134
4-3	Gate Assembly .....	137
4-4	Lift Guard Contact Alarm .....	139

**Section 5 Cylinder**

5-1	Left Axle Lockout Cylinder Assembly .....	142
5-2	Right Axle Lockout Cylinder Assembly .....	144
5-3	Lifting Cylinder Assembly .....	146
5-4	Telescopic Cylinder Assembly .....	148
5-5	JIB Leveling Cylinder Assembly (BT22RT) .....	150
5-6	JIB Leveling Cylinder Assembly (BT22BRT) .....	152
5-7	JIB Lifting Cylinder Assembly .....	154

**Section 6 Hydraulic System**

6-1	Chassis Circuit 1 (Stage IV).....	157
6-2	Chassis Circuit 1 (Stage V).....	162
6-3	Chassis Circuit 2.....	167
6-4	Turntable Circuit.....	169
6-5	JIB Circuit .....	172

**Section 7 Electrical System**

7-1	Electrical Harness - COBO Controller.....	175
7-2	Electrical Harness-Parker Controller.....	179
7-3	Electrical Installations - COBO Controller .....	184
7-4	Electrical Installations -Parker Controller .....	186
7-5	Power Distribution Module.....	188
7-6	Ground Control Panel Assembly - COBO Controller .....	190
7-7	Ground Control Panel Assembly - Parker Controller .....	192
7-8	Platform Control Box Assembly - COBO Controller.....	194
7-9	Platform Control Box Assembly - Parker Controller.....	197

**Section 8 Decals**

8-1	Decals Installations .....	201
-----	----------------------------	-----

**Section 9 Special Options**

9-1	V-Belt Housing Installations.....	208
9-2	Waterproof Pad on Engine Module Door .....	210
9-3	Ground Control Box Housing Installations .....	212
9-4	Alarm Installations (Stage IV) .....	214
9-5	Alarm Installations (Stage V) .....	216
9-6	GPS Module Installations .....	218
9-7	AC Plug Assembly.....	220
9-8	Hydraulic Generator Assembly .....	222

9-9 Tube Housing Installations .....225

9-10 Boom Shield Installations .....227

9-11 Platform Accessories 1 .....229

9-12 Platform Accessories 2 .....231

9-13 Platform Accessories 3 .....233

9-14 Platform Accessories 4 .....235

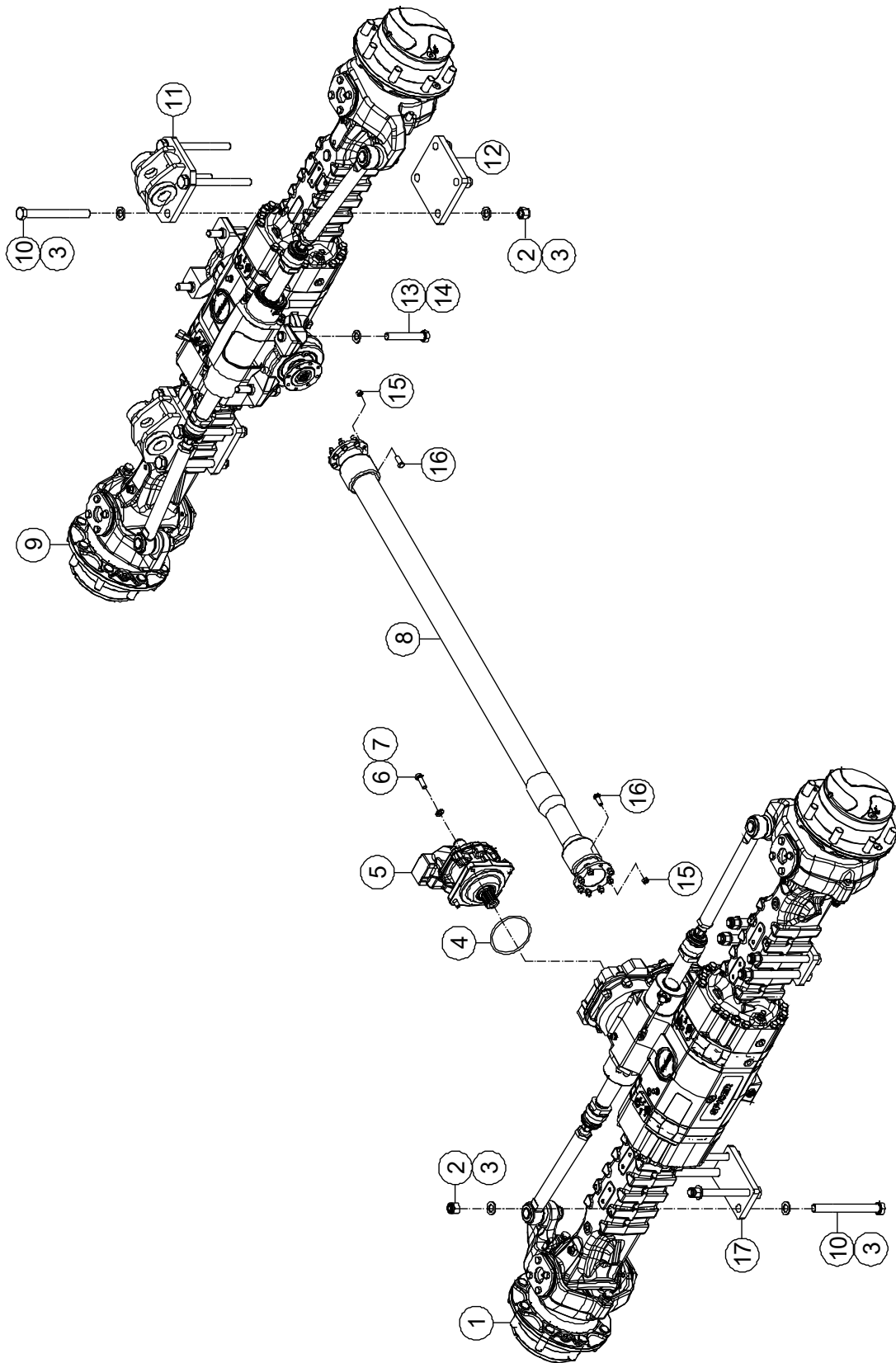
9-15 Lift Guard Contact Alarm .....237

9-16 Anti-collision Device Installations.....239



# Section 1 Chassis

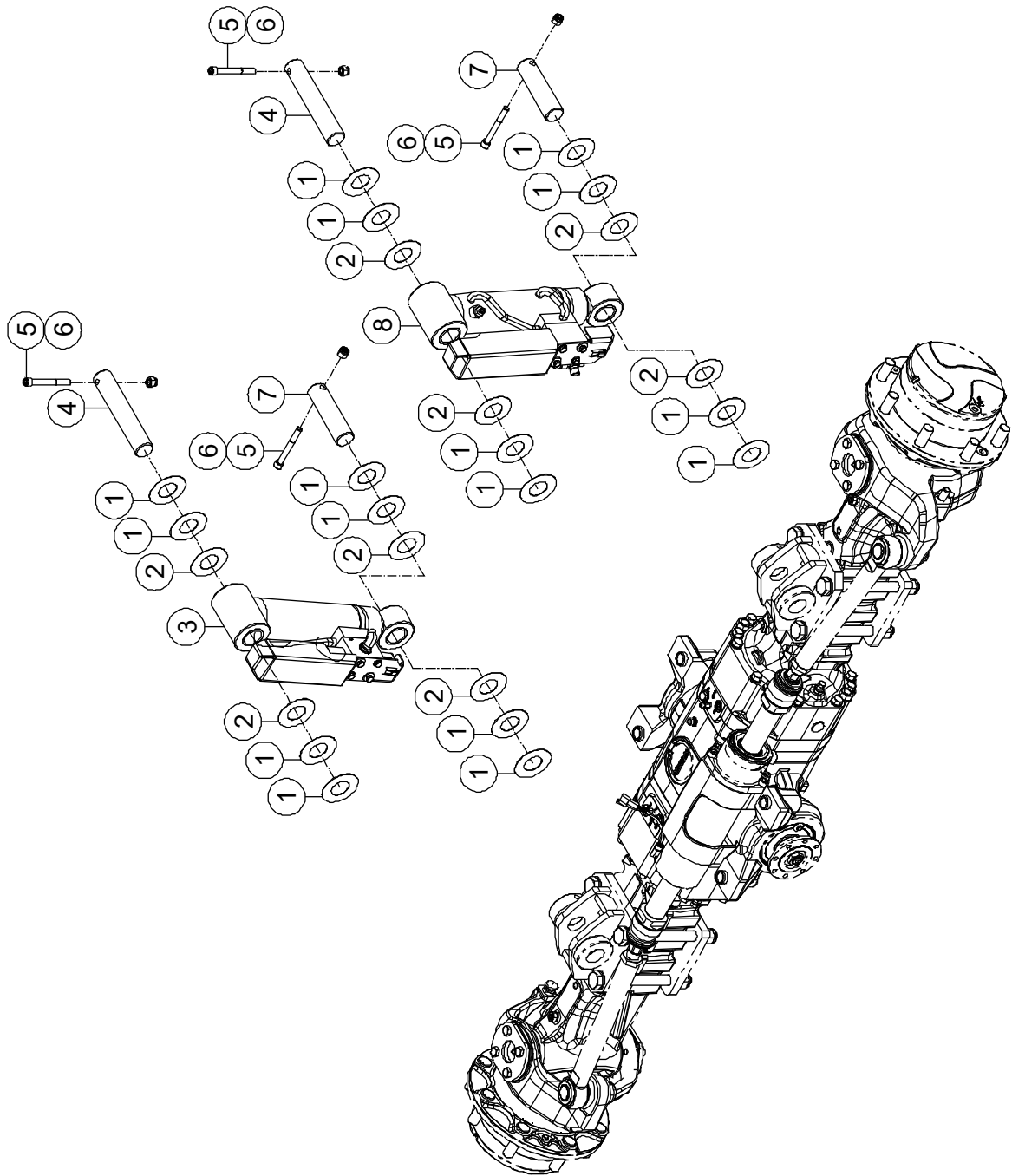
### 1-1 Axle Installations



**1-1 Axle Installations**

Item	Part Number	Description	Qty.	Remark
1	92045547	Rear Axle Assembly	1	
2	00004487	Nut GB/T 6182 M22	16	
3	00002550	Flat Washer GB/T 97.1 22	32	
4	92050965	O-RING	1	
5	92046502	Drive Motor Assembly	1	
6	00001055	Bolt GB/T 5783 M12 × 40	4	
7	00000814	Flat Washer GB/T 97.1 12	4	
8	00006270	Propeller Shaft	1	
9	92045546	Front Axle Assembly	1	
10	00006586	Bolt GB/T 5782 M22 × 230	16	
11	92029121	Seat, Axle Lockout Cylinder Assembly	2	
12	92029119	Bracket, Link	2	
13	00002552	Bolt GB/T 5782 M20 × 130	4	
14	00001050	Flat Washer GB/T 97.1 20	4	
15	00006402	Nut GB/T 6184 M10	16	
16	00001059	Screw GB/T 70 M10 × 30	16	
17	92003368	Bracket, Link	2	

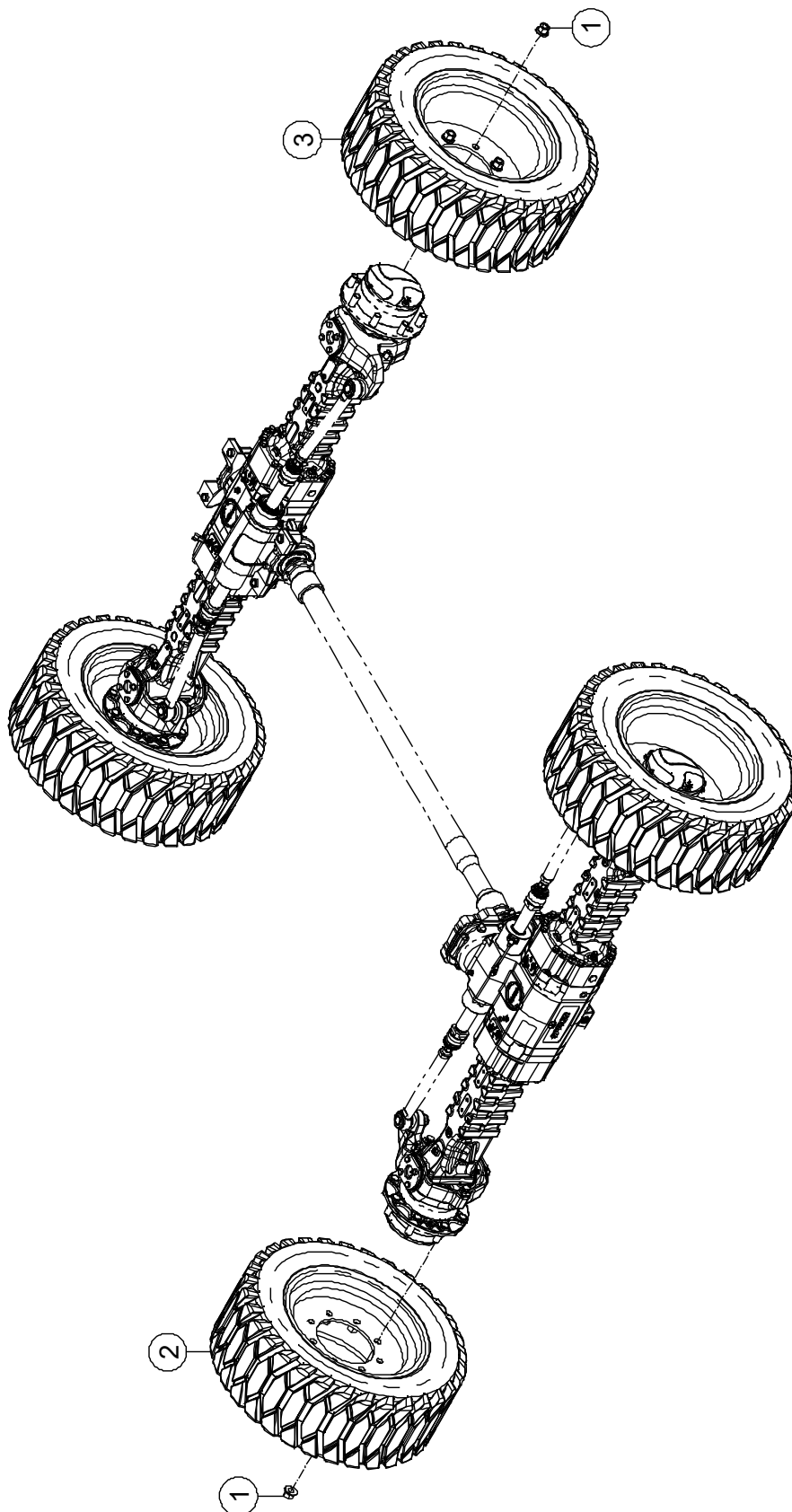
### 1-2 Axle Lockout Cylinder Installations



**1-2 Axle Lockout Cylinder Installations**

Item	Part Number	Description	Qty.	Remark
1	90029459	Shim	16	
2	90029460	Shim	8	
3		Left Axle Lockout Cylinder Assembly (Refer to 5-1)	1	
4	92029458	Pin	2	
5	00002554	Screw GB/T 70 M12 × 100	4	
6	00001249	Nut GB/T 6182 M12	4	
7	92029120	Pin	2	
8		Right Axle Lockout Cylinder Assembly (Refer to 5-2)	1	

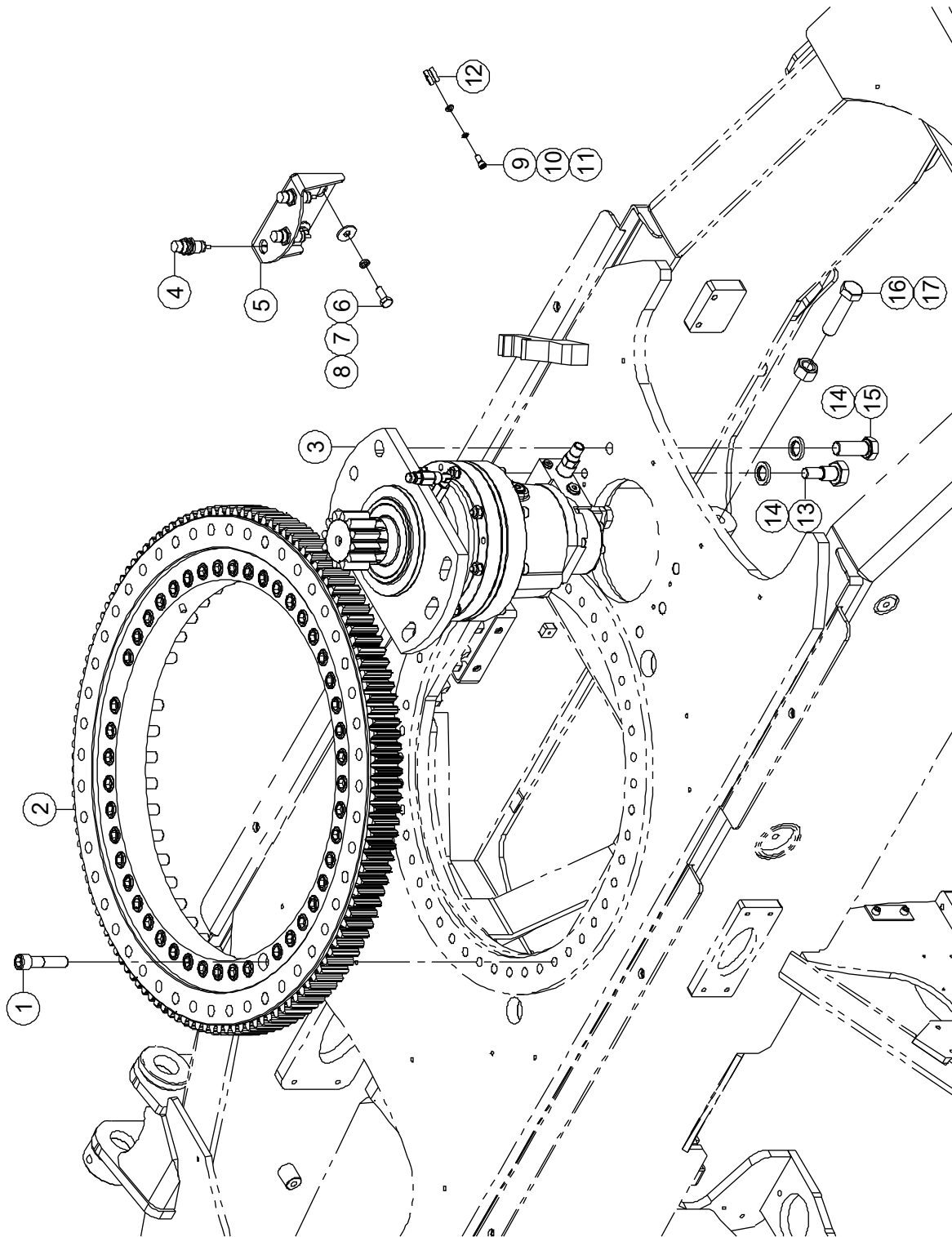
### 1-3 Tire and Wheel Installations



**1-3 Tire and Wheel Installations**

Item	Part Number	Description	Qty.	Remark
1	00002650	Nut M22×1.5	32	
2	92058000	Tire and Wheel Assembly (Left Side)	2	
3	92057995	Tire and Wheel Assembly (Right Side)	2	

### 1-4 Slewing Ring Installations

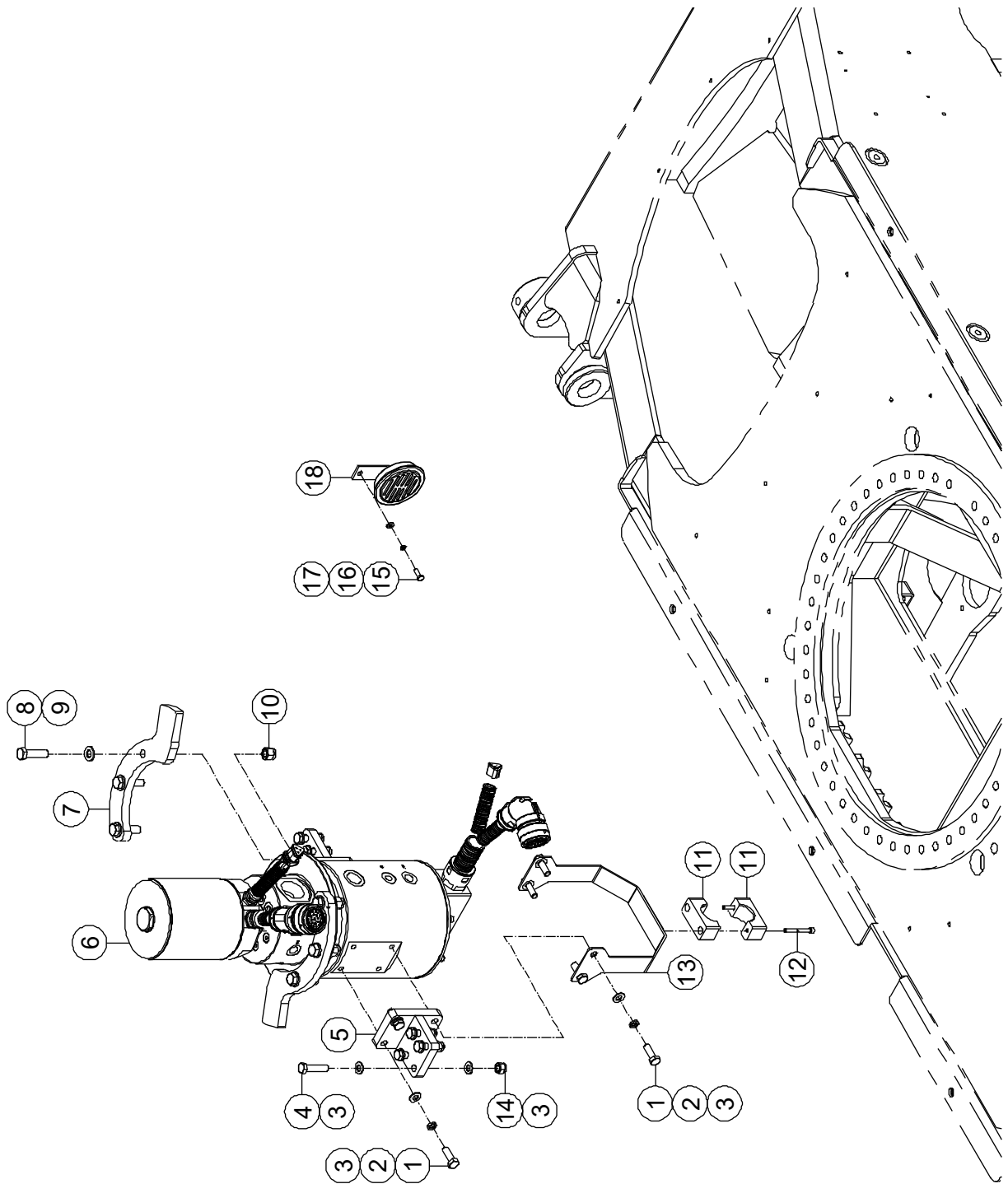




### 1-4 Slewing Ring Installations

Item	Part Number	Description	Qty.	Remark
1	00002056	Screw GB/T 70 M16 × 70	47	
2	92047787	Slewing Ring	1	
3	00006823	Gearmotor	1	
--	00008952	Motor Assembly	1	
--	00008950	Valve Block	1	
4	00007341	Proximity Switch	3	
5	92049362	Bracket, Switch	1	
6	00000678	Bolt GB/T 5783 M10 × 25	2	
7	00000679	Spring Washer GB/T 93 10	2	
8	00001028	Flat Washer GB/T 96.1 10	2	
9	00000876	Screw GB/T 70 M6 × 16	1	
10	00000621	Spring Washer GB/T 93 6	1	
11	00000620	Flat Washer GB/T 97.1 6	1	
12	92100579	Clamp	1	
13	92100255	Bolt M16	1	
14	00001103	Flat Washer 20 JB/ZQ 4080-2006	6	
15	00002734	Bolt GB/T 5783 M20 × 55	5	
16	00003875	Bolt GB/T 5783 M20 × 80	1	
17	00002272	Nut GB/T 6170 M20	1	

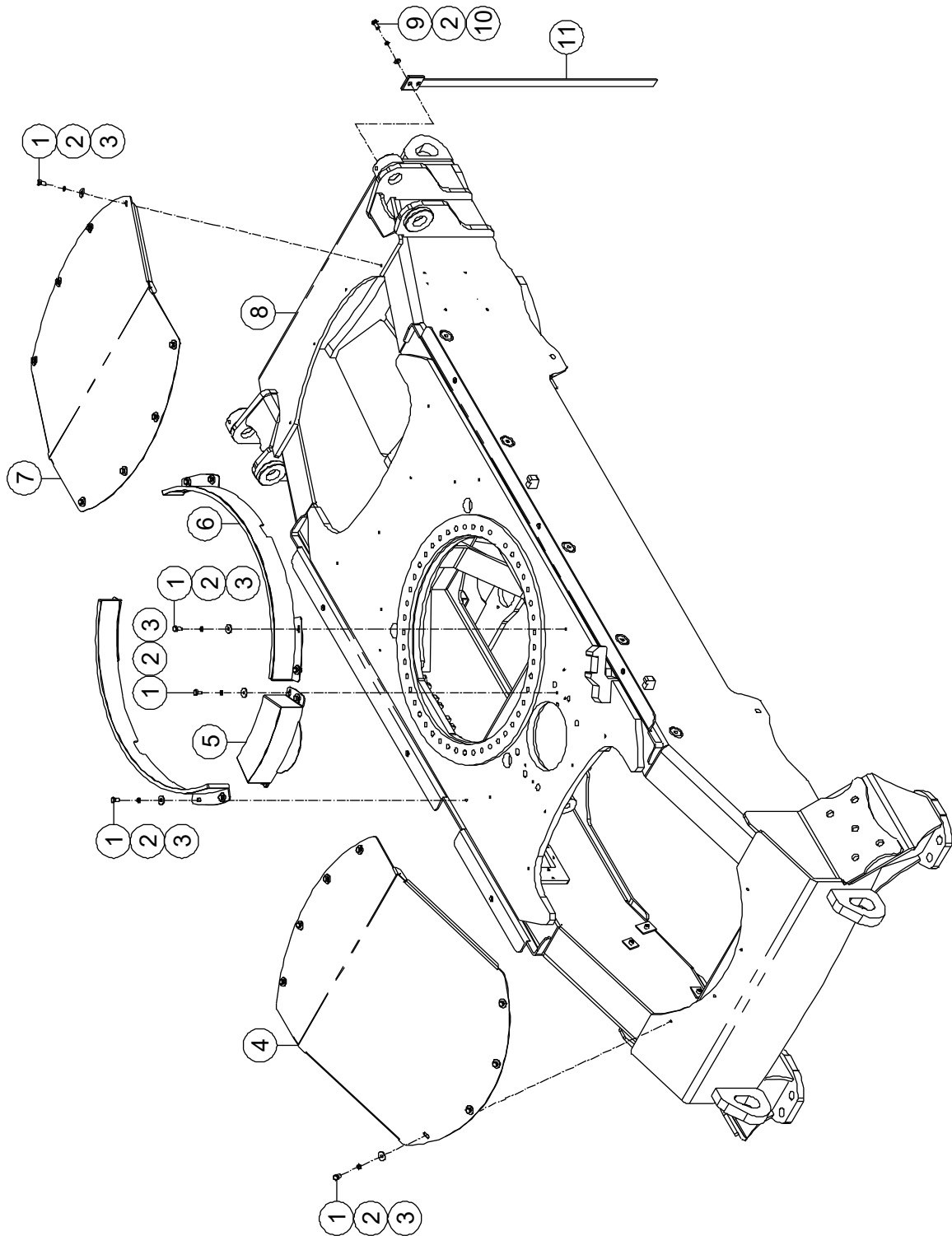
### 1-5 Rotary Coupling Installations



**1-5 Rotary Coupling Installations**

Item	Part Number	Description	Qty.	Remark
1	00000683	Bolt GB/T 5783 M10 × 30	8	
2	00000679	Spring Washer GB/T 93 10	8	
3	00000615	Flat Washer GB/T 97.1 10	24	
4	00002411	Bolt GB/T 5783 M10 × 45	8	
5	92029130	Support	2	
6	92047837	Rotary Coupling Assembly	1	
--	00009008	Slip Ring	1	
7	92056689	Plate	2	
8	00002452	Bolt GB/T 5783 M12 × 45	6	
9	00000814	Flat Washer GB/T 97.1 12	6	
10	00001249	Nut GB/T 6182 M12	6	
11	90023286	Clamp	2	
12	00005201	Screw GB/T 70 M6 × 50	2	
13	92056641	Support	1	
14	00000623	Nut GB/T 6182 M10	8	
15	00000818	Bolt GB/T 5783 M6 × 16	1	
16	00000621	Spring Washer GB/T 93 6	1	
17	00000620	Flat Washer GB/T 97.1 6	1	
18	00002212	Horn	1	

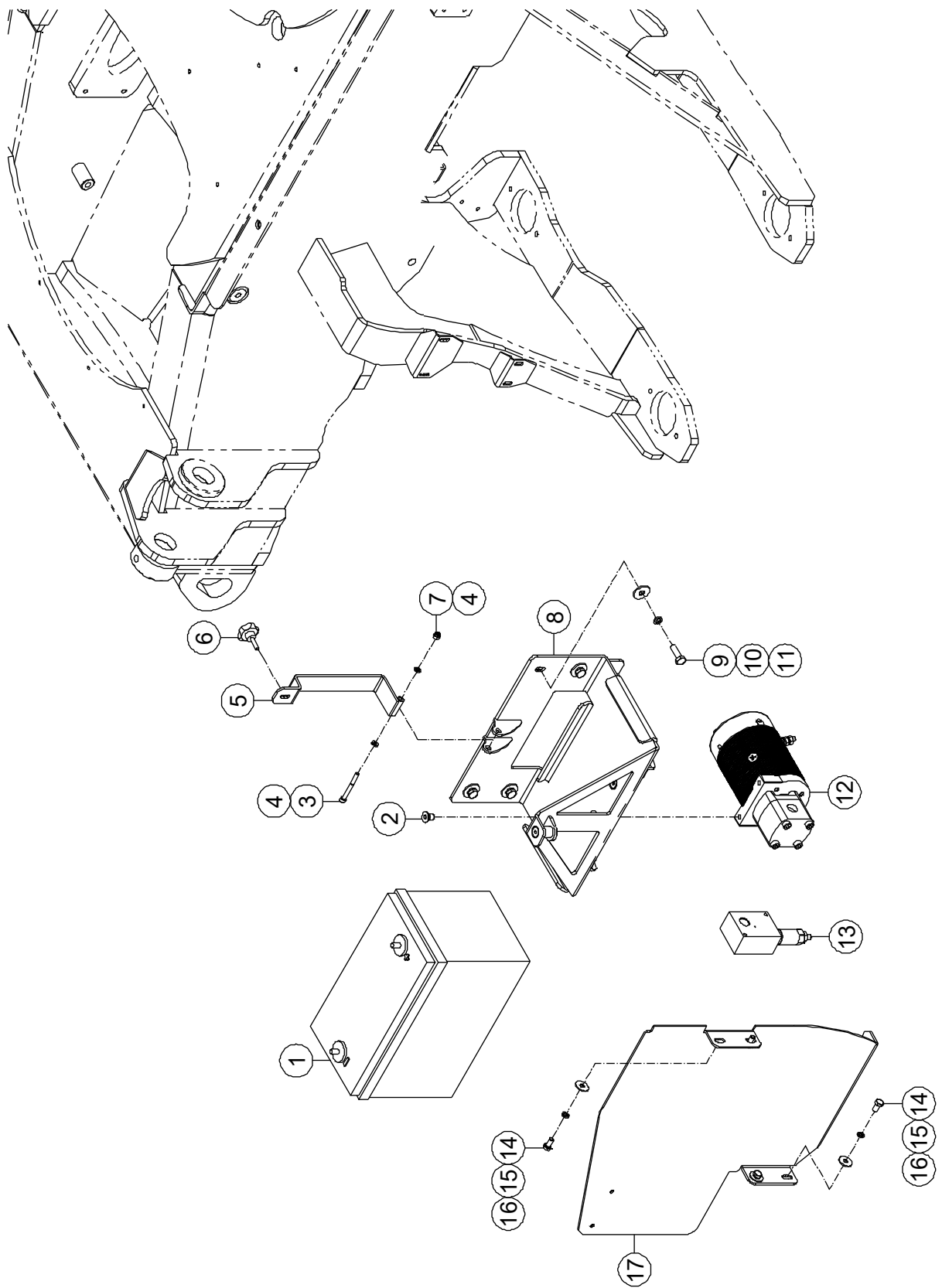
1-6 Chassis Components



**1-6 Chassis Components**

Item	Part Number	Description	Qty.	Remark
1	00001063	Bolt GB/T 5783 M8 × 16	28	
2	00000609	Spring Washer GB/T 93 8	29	
3	00002000	Flat Washer GB/T 96.1 8	28	
4	92057967	Cover	1	Stage IV
	92101447	Cover	1	Stage V
5	92100259	Housing	1	
6	92049340	Housing	2	
7	92057965	Cover	1	
8	92102372	Chassis	1	Stage IV
	92101453	Chassis	1	Stage V
9	00000875	Bolt GB/T 5783 M8 × 20	1	
10	00000608	Flat Washer GB/T 97.1 8	1	
11	00006555	Ground Strap	1	

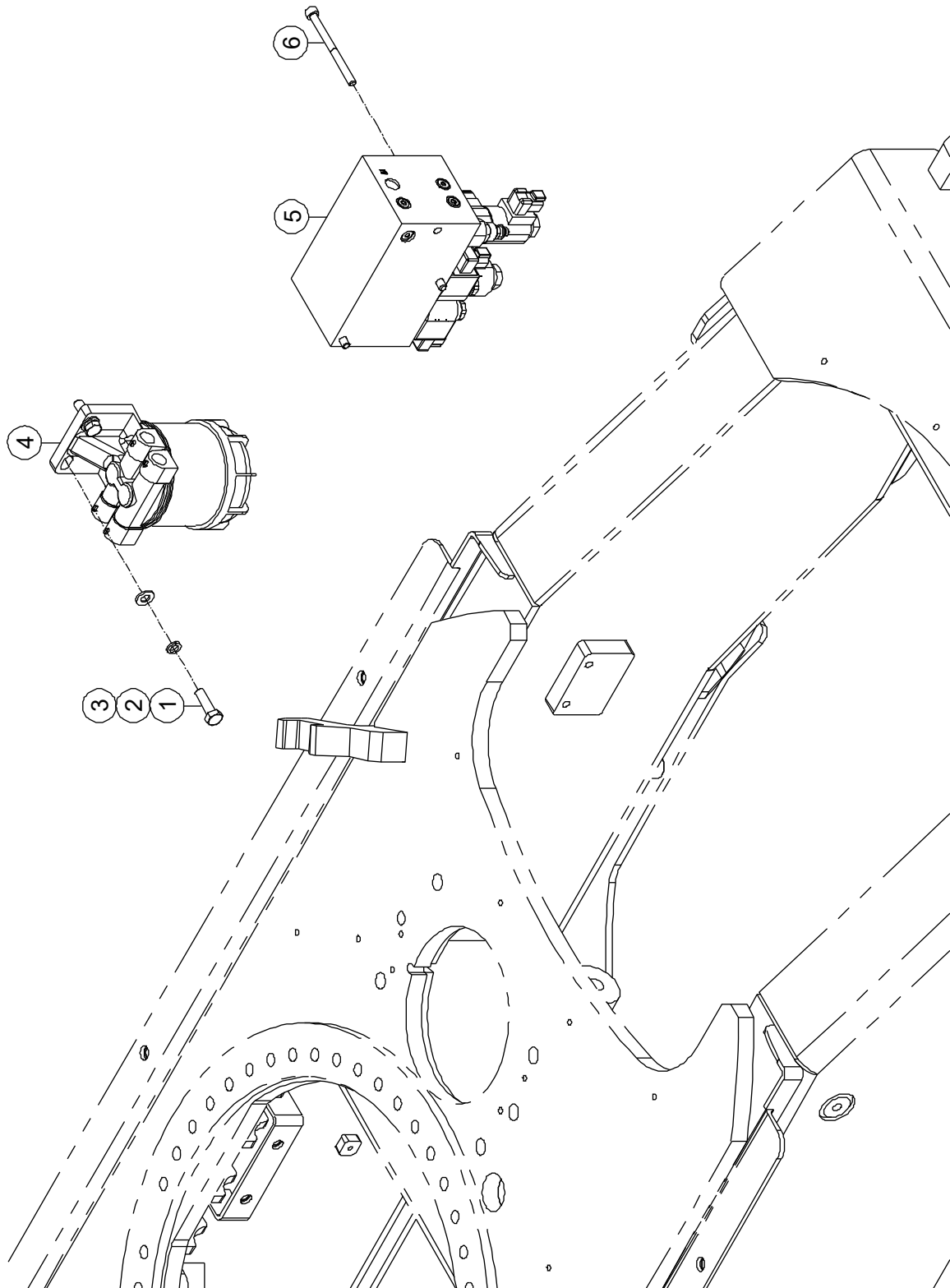
### 1-7 Front Axle Accessory (Stage IV)



**1-7 Front Axle Accessory (Stage IV)**

Item	Part Number	Description	Qty.	Remark
1	00004485	Battery	1	
2	00000844	Screw GB/T 70.3 M10×16	2	
3	00006392	Screw GB/T 70 M6 × 60	1	
4	00000620	Flat Washer GB/T 97.1 6	2	
5	92049239	Retainer	1	
6	92009577	Bolt	1	
7	00001033	Nut GB/T 6182 M6	1	
8	92058013	Support	1	
9	00000683	Bolt GB/T 5783 M10 × 30	4	
10	00000679	Spring Washer GB/T 93 10	4	
11	00001028	Flat Washer GB/T 96.1 10	4	
12	00006580	Emergency Pump Assembly	1	
--	00006954	Motor	1	
--	00006955	Pump	1	
13	92058380	Relief Valve ( <i>Refer to 1-10</i> )	1	
14	00001063	Bolt GB/T 5783 M8 × 16	4	
15	00000609	Spring Washer GB/T 93 8	4	
16	00002000	Flat Washer GB/T 96.1 8	4	
17	92057964	Plate	1	

**1-8 Rear Axle Accessory (Stage IV)**

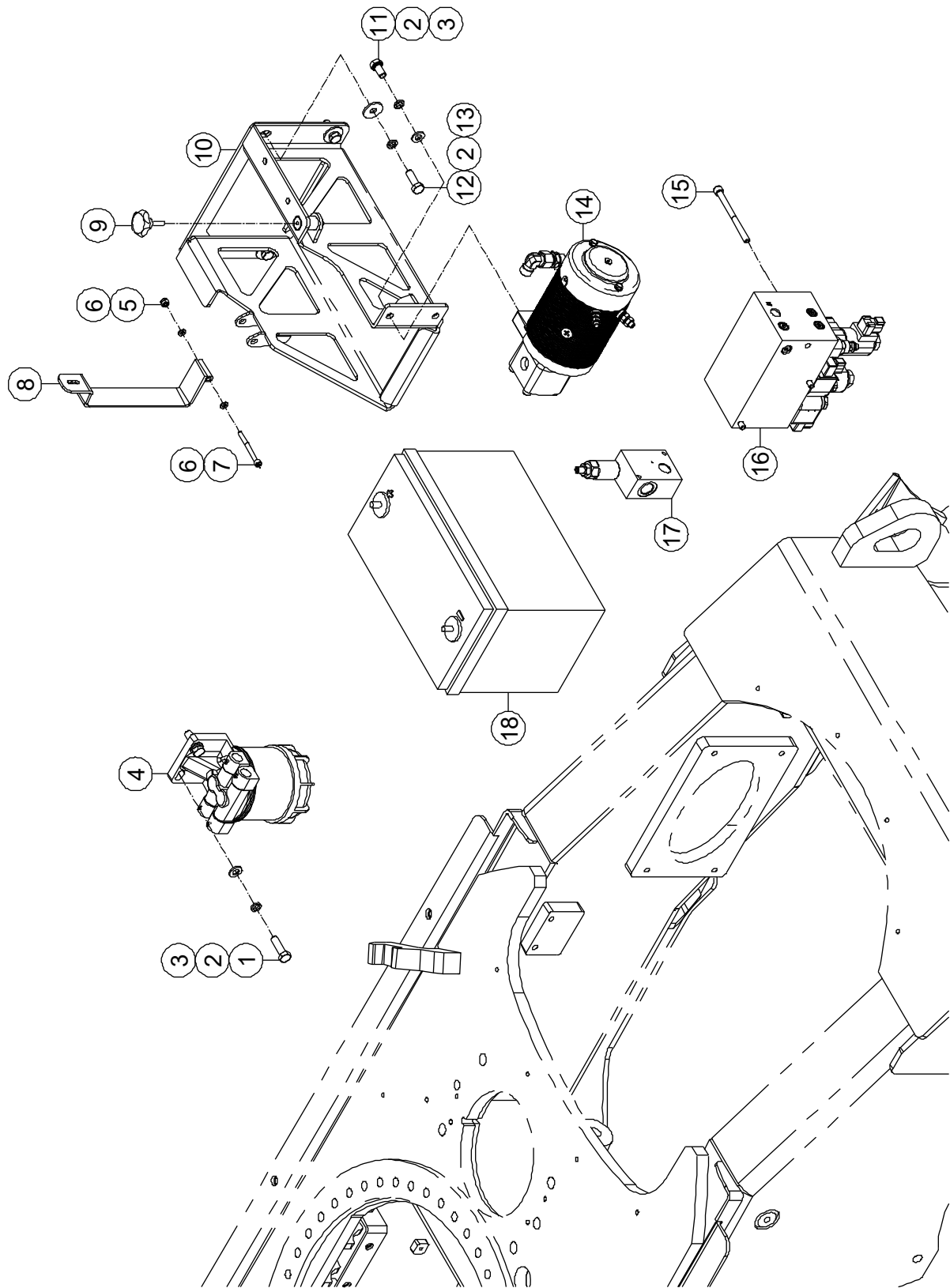




**1-8 Rear Axle Accessory (Stage IV)**

Item	Part Number	Description	Qty.	Remark
1	00000684	Bolt GB/T 5783 M10 × 35	2	
2	00000679	Spring Washer GB/T 93 10	2	
3	00000615	Flat Washer GB/T 97.1 10	2	
4	92100178	Fuel / Water Separator	1	
5	92049352	Chassis Manifold ( <i>Refer to 1-11</i> )	1	
6	00002497	Screw GB/T 70 M8 × 100	3	

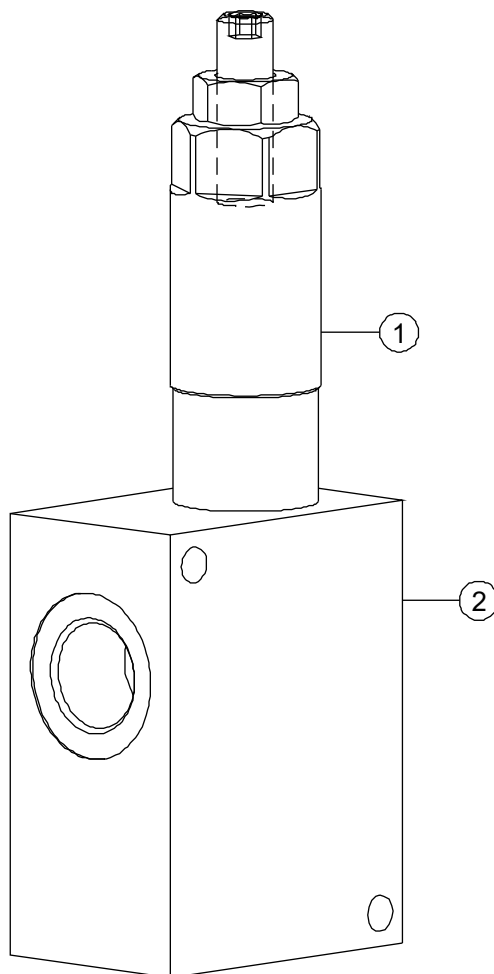
### 1-9 Rear Axle Accessory (Stage V)



**1-9 Rear Axle Accessory (Stage V)**

Item	Part Number	Description	Qty.	Remark
1	00000684	Bolt GB/T 5783 M10 × 35	2	
2	00000679	Spring Washer GB/T 93 10	8	
3	00000615	Spring Washer GB/T 97.1 10	4	
4	92100178	Fuel / Water Separator	1	
5	00001033	Nut GB/T 6182 M6	1	
6	00000620	Spring Washer GB/T 97.1 6	2	
7	00006392	Screw GB/T 70 M6 × 60	1	
8	92049239	Retainer	1	
9	92009577	Bolt	1	
10	92101419	Support	1	
11	00000674	Bolt GB/T 5783 M10 × 20	2	
12	00000683	Bolt GB/T 5783 M10 × 30	4	
13	00001028	Spring Washer GB/T 96.1 10	4	
14	00006580	Emergency Pump Assembly	1	
--	00006954	Motor	1	
--	00006955	Pump	1	
15	00002497	Screw GB/T 70 M8 × 100	3	
16	92049352	Chassis Manifold ( <i>Refer to 1-11</i> )	1	
17	92058380	Relief Valve ( <i>Refer to 1-10</i> )	1	
18	00004485	Battery	1	

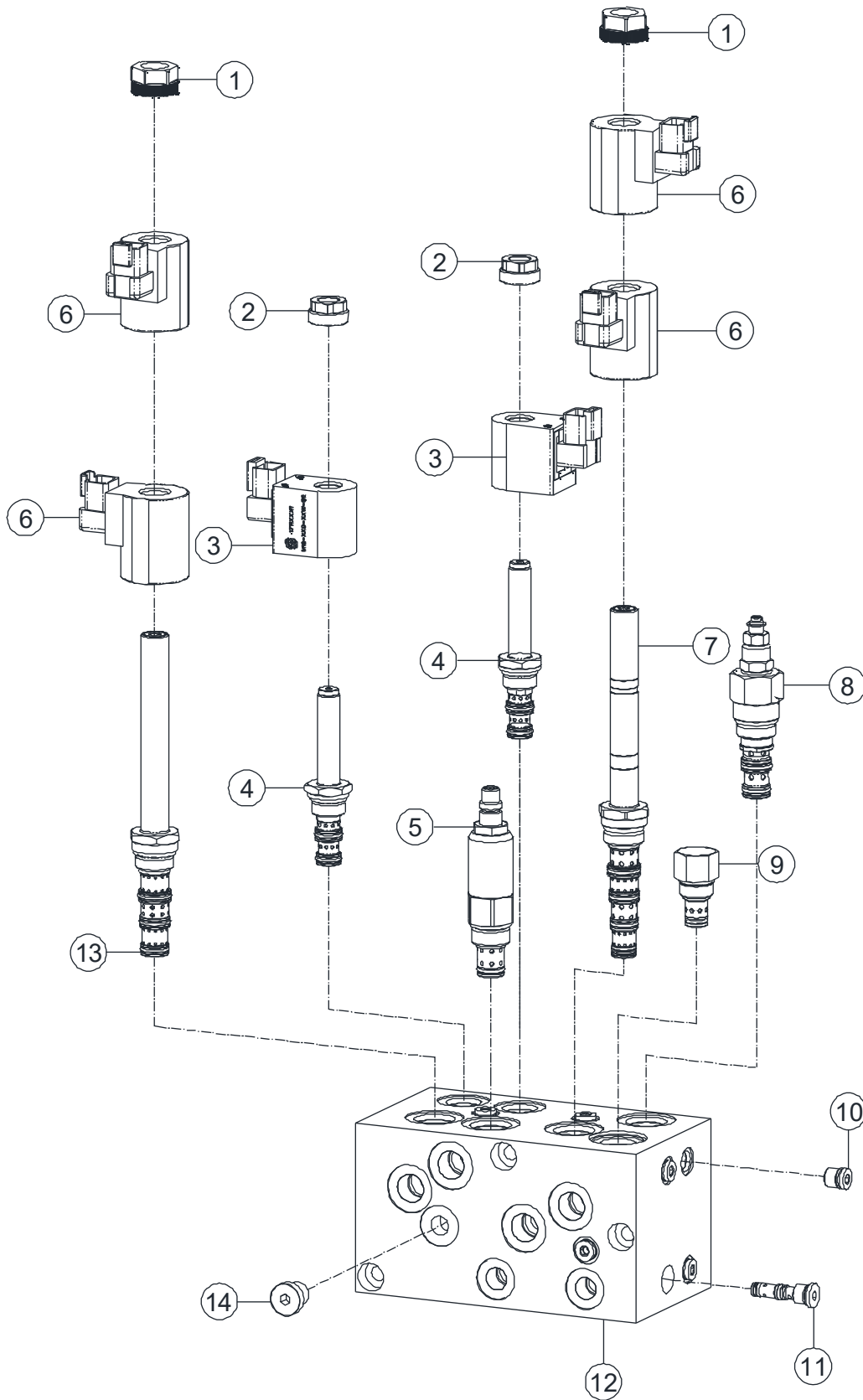
**1-10 Relief Valve**



**1-10 Relief Valve**

Item	Part Number	Description	Qty.	Remark
1	00008076	Cartridge, Relief	1	
2	00008077	Body	1	

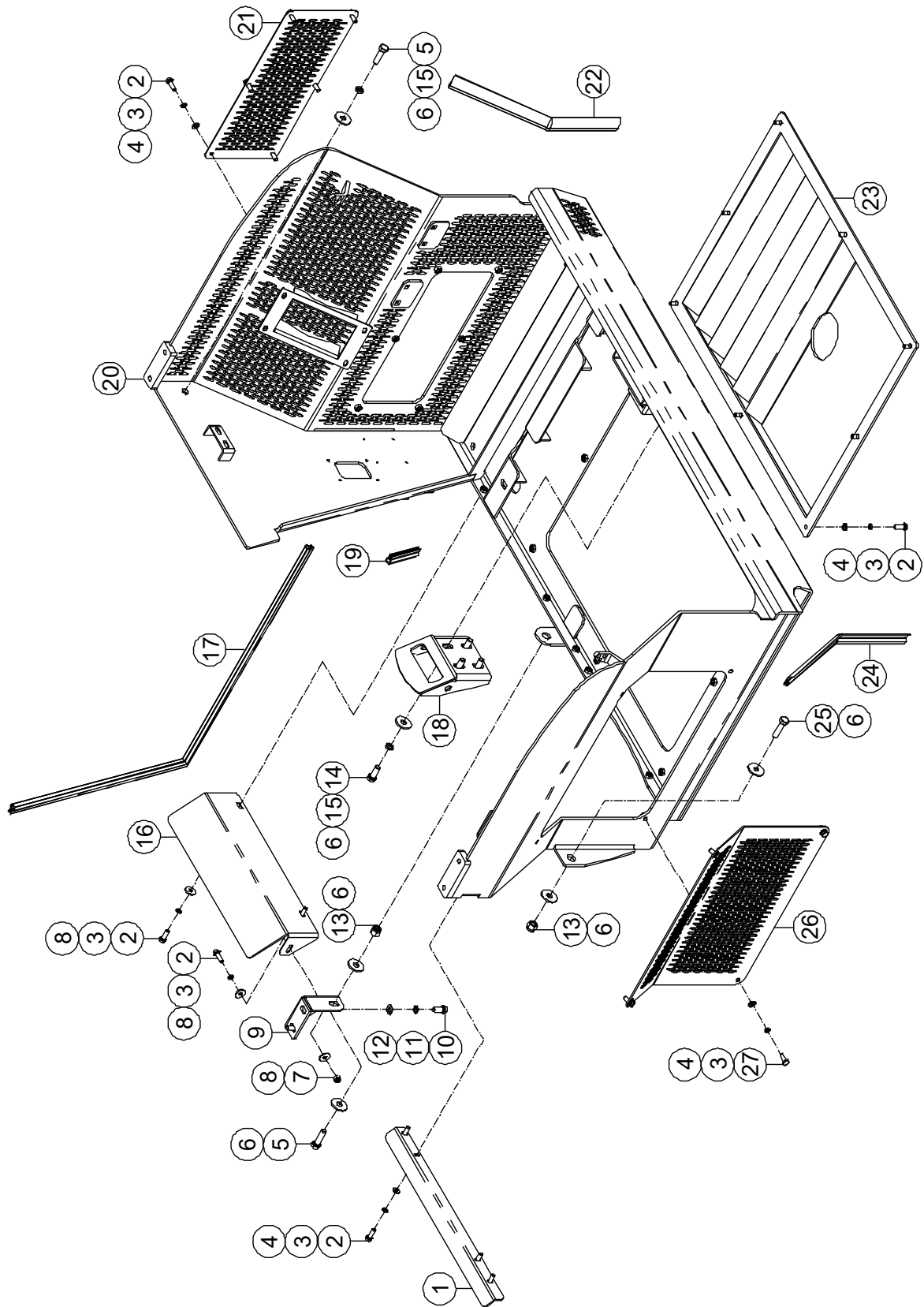
### 1-11 Chassis Manifold



**1-11 Chassis Manifold**

Item	Part Number	Description	Qty.	Remark
1	00003353	Nut	2	
2	00003352	Nut	2	
3	00003320	Coil	2	
4	00003301	Cartridge, Solenoid Valve	2	
5	00003591	Cartridge, Relief Valve	1	
6	00003319	Coil	4	
7	00006950	Cartridge, Solenoid Valve	1	
8	00006948	Cartridge, Pressure Reducing Valve	1	
9	00006947	Cartridge, Flow Control Valve	1	
10	00004342	Plug	10	
11	00003291	Cartridge, Shuttle Valve	1	
12	00006941	Body	1	
13	00000293	Cartridge, Solenoid Valve	1	
14	00001111	Plug	1	

### 1-12 Engine Module Assembly 1

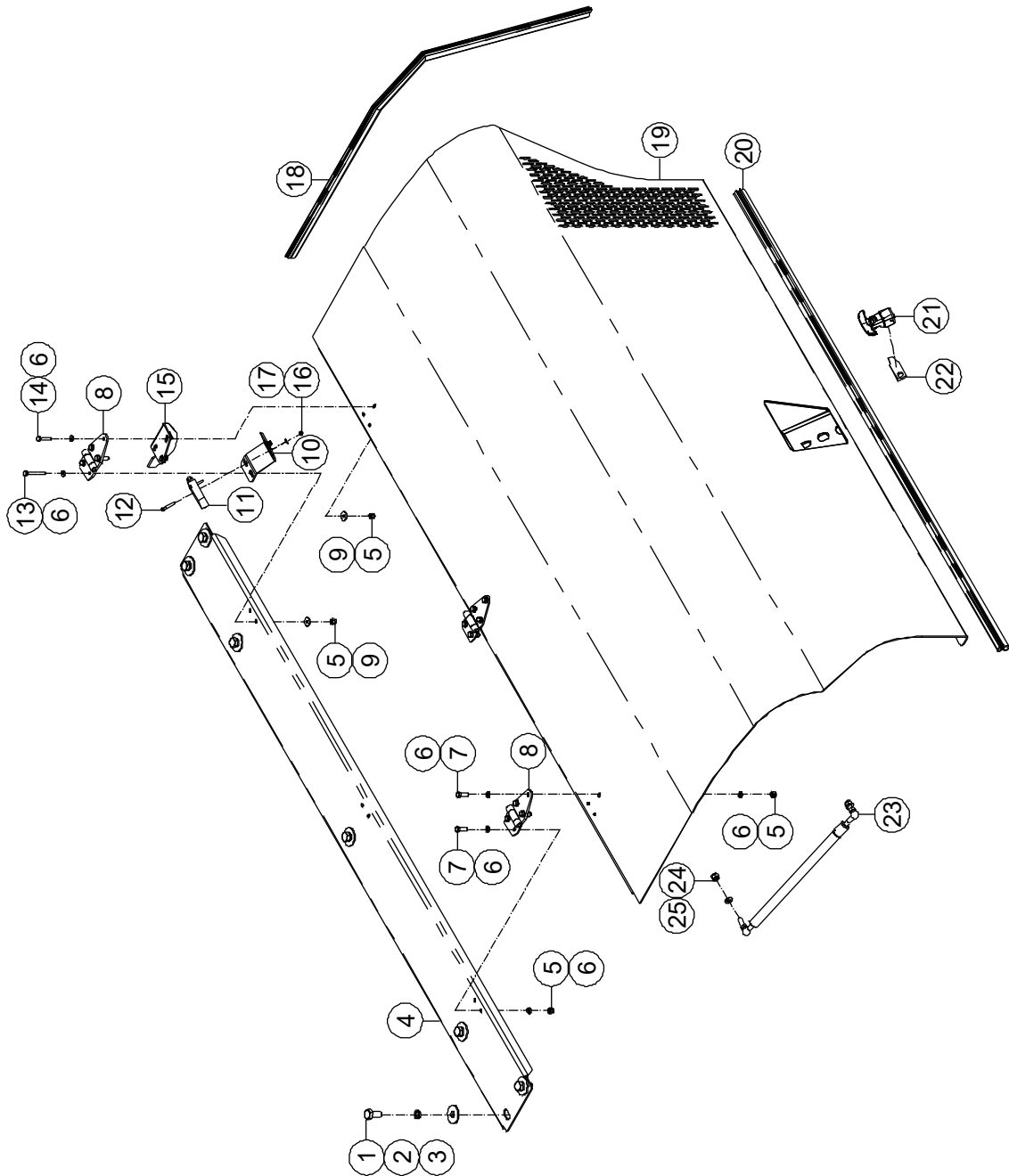




**1-12 Engine Module Assembly 1**

Item	Part Number	Description	Qty.	Remark
1	92100165	Housing	1	
2	00000993	Bolt GB/T 5783 M8 × 25	21	
3	00000609	Spring Washer GB/T 93 8	25	
4	00000608	Flat Washer GB/T 97.1 8	22	
5	00001055	Bolt GB/T 5783 M12 × 40	3	
6	00002601	Flat Washer GB/T 96.1 12	12	
7	00001163	Nut GB/T 6182 M8	1	
8	00002000	Flat Washer GB/T 96.1 8	4	
9	92029448	Support	1	
10	00000678	Bolt GB/T 5783 M10 × 25	2	
11	00000679	Spring Washer GB/T 93 10	2	
12	00000615	Flat Washer GB/T 97.1 10	2	
13	00001249	Nut GB/T 6182 M12	3	
14	00002059	Bolt GB/T 5783 M12 × 30	4	
15	00000815	Spring Washer GB/T 93 12	6	
16	92100163	Housing	1	
17	92049036	Seal	1	
18	92029257	Striker	1	
19	92049037	Seal	1	
20	92100973	Engine Module	1	
21	92048949	Housing	1	
22	92049031	Seal	1	
23	92100051	Cover	1	
24	92049021	Seal	1	
25	00002452	Bolt GB/T 5783 M12 × 45	2	
26	92048934	Housing	1	
27	00000875	Bolt GB/T 5783 M8 × 20	4	

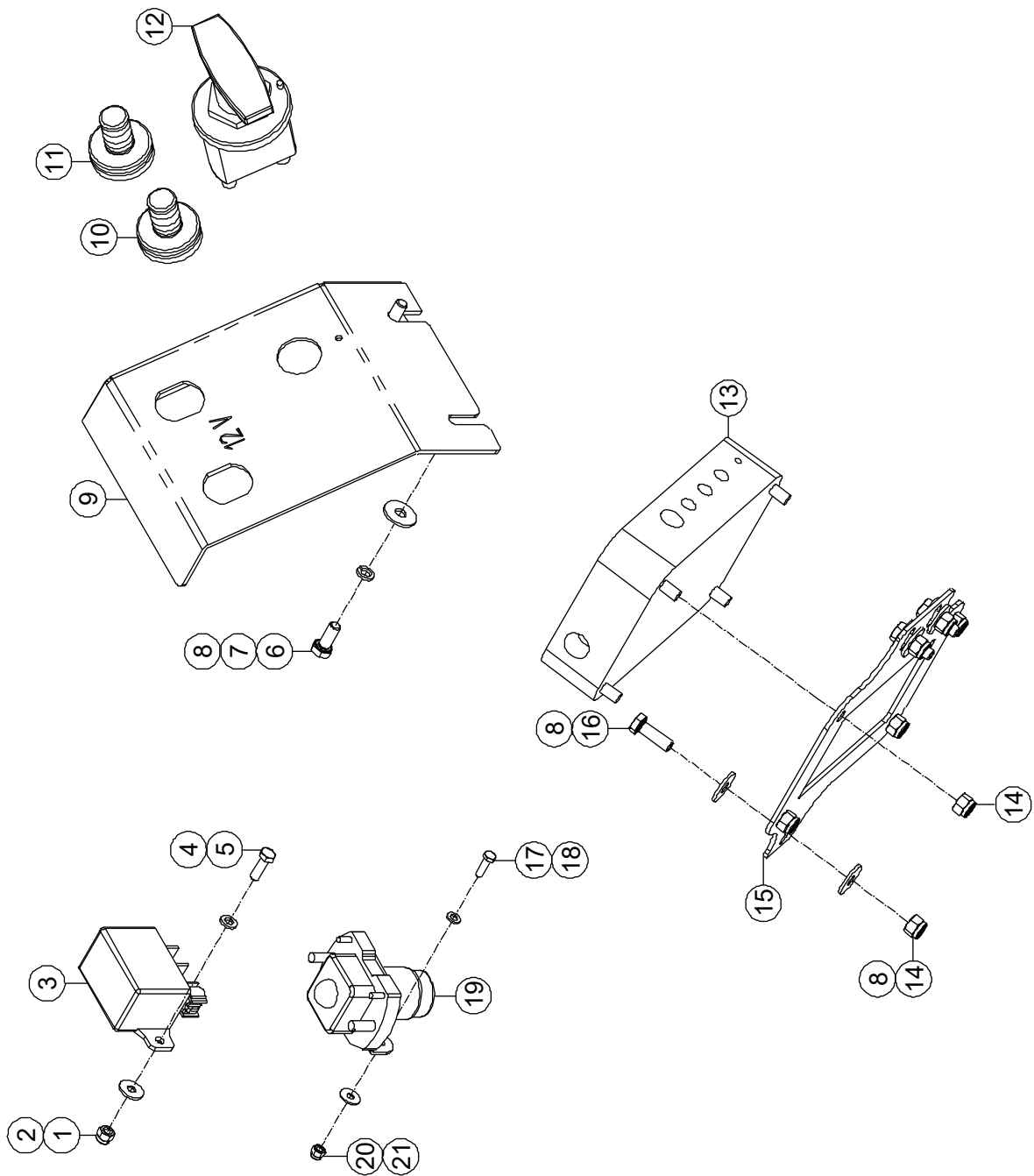
### 1-13 Engine Module Assembly 2



**1-13 Engine Module Assembly 2**

Item	Part Number	Description	Qty.	Remark
1	00000816	Bolt GB/T 5783 M12 × 25	7	
2	00000815	Spring Washer GB/T 93 12	7	
3	00002601	Flat Washer GB/T 96.1 12	7	
4	92049054	Cover	1	
5	00001033	Nut GB/T 6182 M6	15	
6	00000620	Flat Washer GB/T 97.1 6	25	
7	00000743	Bolt GB/T 5783 M6 × 20	10	
8	92000359	Hinge	3	
9	00002583	Flat Washer GB/T 96.1 6	5	
10	92049048	Bracket, Limit Switch	1	
11	00003167	Limit Switch	1	
12	00002228	Screw GB/T 70 M4 × 25	2	
13	00002312	Bolt GB/T 5782 M6 × 45	2	
14	00000619	Bolt GB/T 5783 M6 × 25	3	
15	92018228	Striker	1	
16	00001236	Nut GB/T 889.1 M4	2	
17	00003610	Flat Washer GB/T 96.1 4	2	
18	92049035	Seal	1	
19	92100974	Door, Engine Module	1	
20	92049015	Seal	1	
21	90008236	Lock	1	
22	90018381	Cam	1	
23	90029265	Spring, Gas	2	
24	00001163	Nut GB/T 6182 M8	4	
25	00000608	Flat Washer GB/T 97.1 8	4	

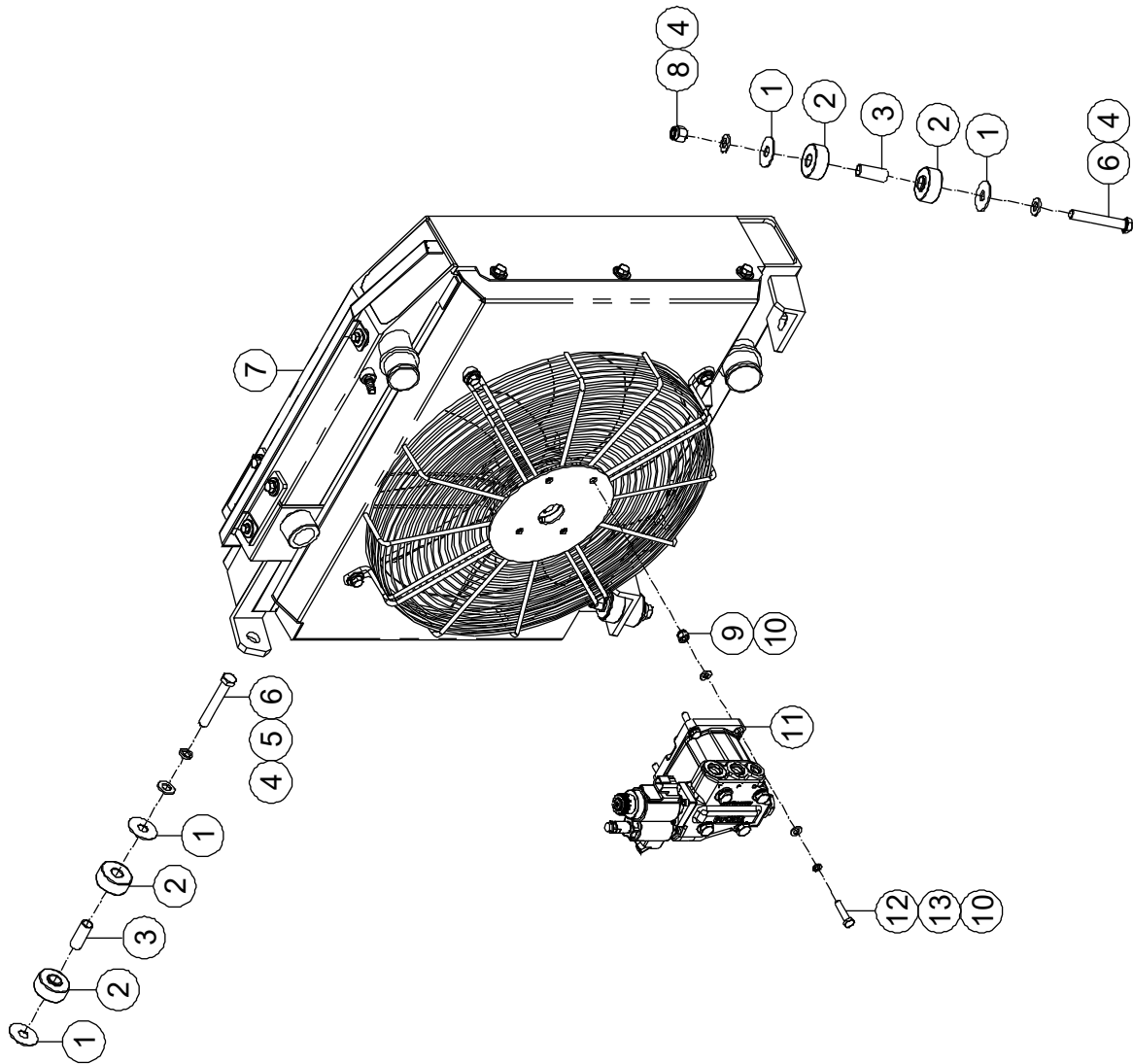
1-14 Power Switch Installations



**1-14 Power Switch Installations**

Item	Part Number	Description	Qty.	Remark
1	00001033	Nut GB/T 6182 M6	1	
2	00002583	Flat Washer GB/T 96.1 6	1	
3	00002918	Contacto, Preheat	1	
4	00000620	Flat Washer GB/T 97.1 6	1	
5	00000743	Bolt GB/T 5783 M6 × 20	1	
6	00000875	Bolt GB/T 5783 M8 × 20	2	
7	00000609	Spring Washer GB/T 93 8	2	
8	00002000	Flat Washer GB/T 96.1 8	8	
9	92057809	Bracket	1	
10	92019709	Jump Start Battery Feed Stud, Negative	1	
11	92019710	Jump Start Battery Feed Stud, Positive	1	
12	92049050	Power Switch	1	
13	92049380	Fuse Box	1	
--	00006958	Fuse Kit	1	
14	00001163	Nut GB/T 6182 M8	7	
15	92057807	Bracket	1	
16	00000993	Bolt GB/T 5783 M8 × 25	3	
17	00003949	Bolt GB/T 5783 M5 × 16	1	
18	00000605	Flat Washer GB/T 97.1 5	1	
19	00002205	DC Contactor	1	
20	00000613	Nut GB/T 6182 M5	1	
21	00003545	Flat Washer GB/T 96.1 5	1	

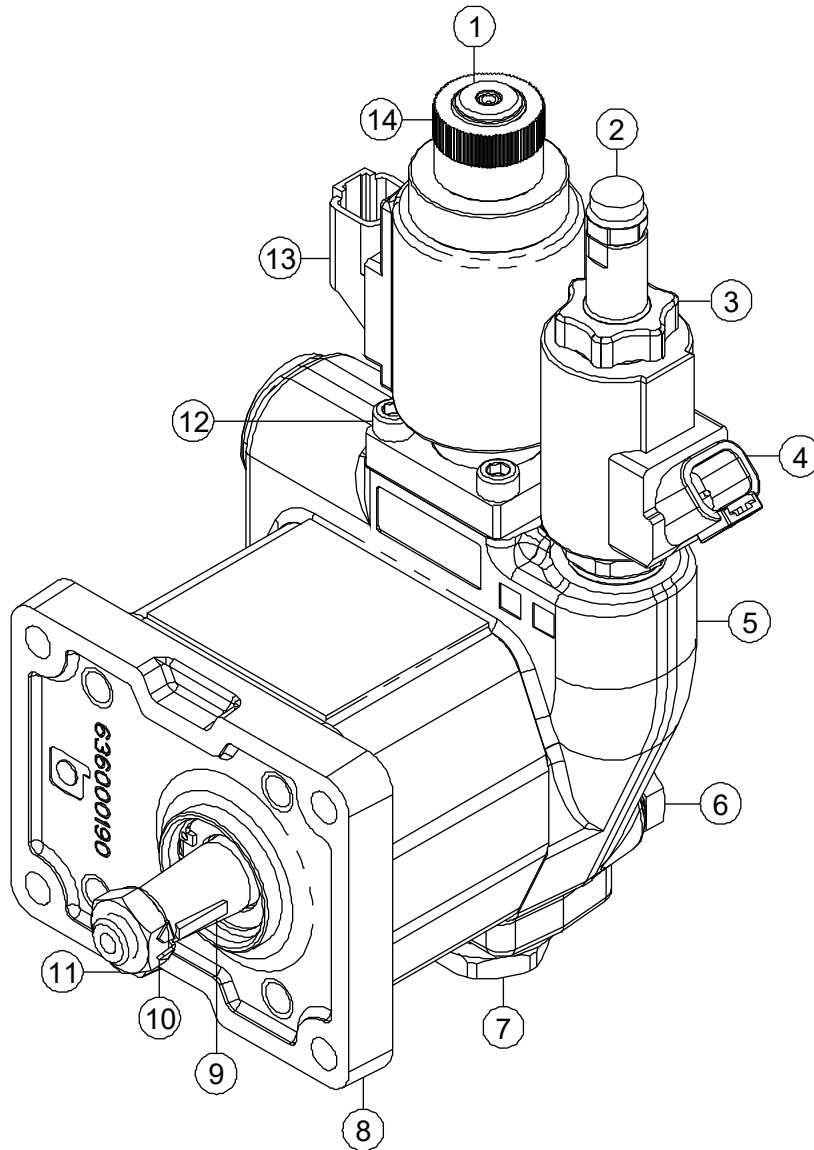
### 1-15 Engine Cooling System Installations 1



**1-15 Engine Cooling System Installations 1**

Item	Part Number	Description	Qty.	Remark
1	90011240	Washer	6	
2	90011239	Rubber Ring	6	
3	90011145	Spacer	3	
4	00000814	Flat Washer GB/T 97.1 12	5	
5	00000815	Spring Washer GB/T 93 12	1	
6	00002527	Bolt GB/T 5782 M12 × 80	3	
7	92047755	Radiator	1	
8	00001249	Nut GB/T 6182 M12	2	
9	00001163	Nut GB/T 6182 M8	4	
10	00000608	Flat Washer GB/T 97.1 8	8	
11	92048883	Hydraulic Motor ( <i>Refer to 1-16</i> )	1	
12	00002488	Bolt GB/T 5783 M8 × 35	4	
13	00000609	Spring Washer GB/T 93 8	4	

### 1-16 Hydraulic Motor

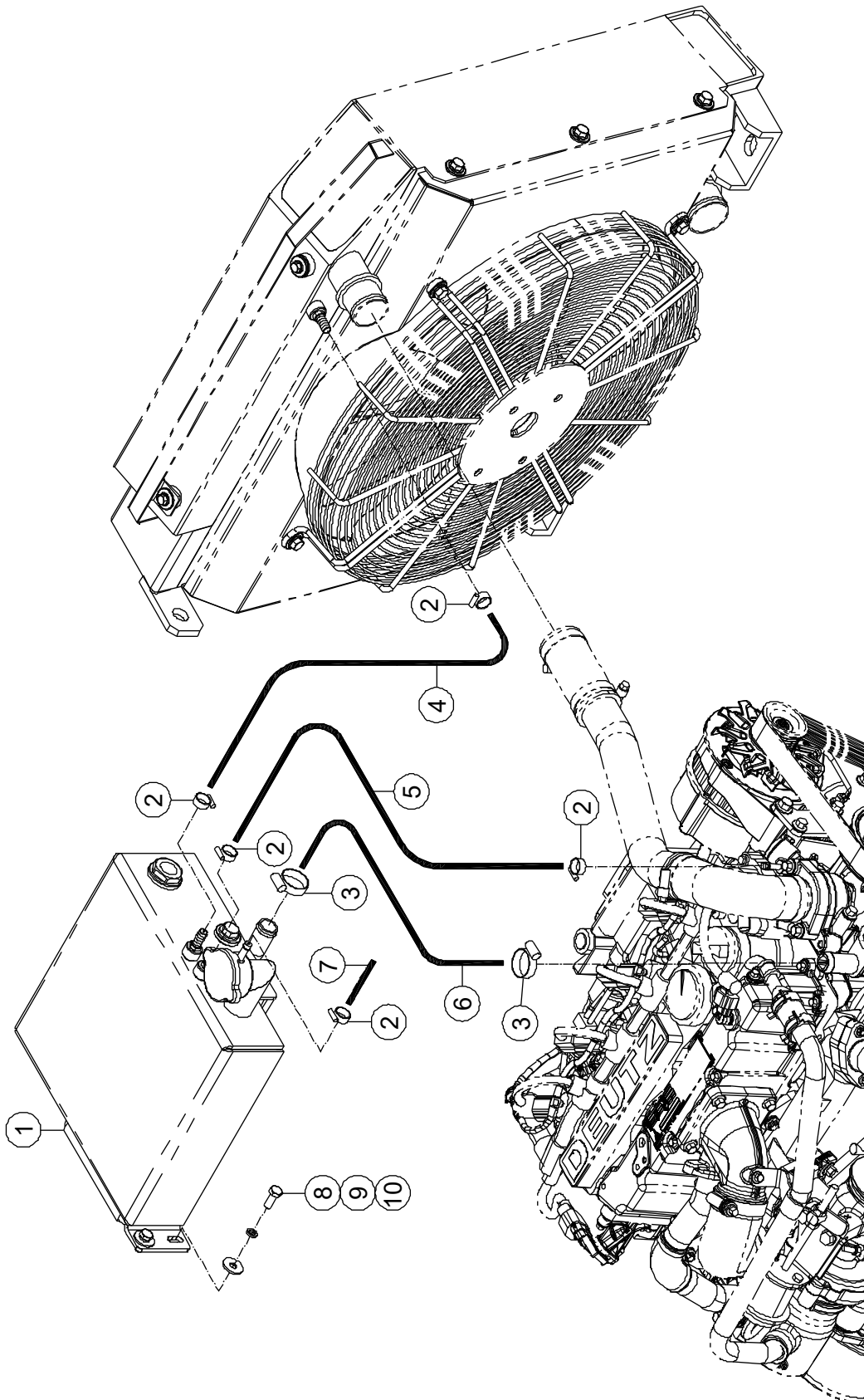




**1-16 Hydraulic Motor**

Item	Part Number	Description	Qty.	Remark
1	00006968	Cartridge, Solenoid Valve	1	
2	00006969	Cartridge, Solenoid Valve	1	
3	00006970	Nut	1	
4	00006971	Coil	1	
5	00006972	Body	1	
6	00006973	Bolt	4	
7	00006974	Plug	1	
8	00006975	Hydraulic Motor	1	
9	00006976	Woodruff Key	1	
10	00006977	Washer	1	
11	00006978	Nut	1	
12	00006979	Screw	4	
13	00006980	Coil	1	
14	00006981	Nut	1	

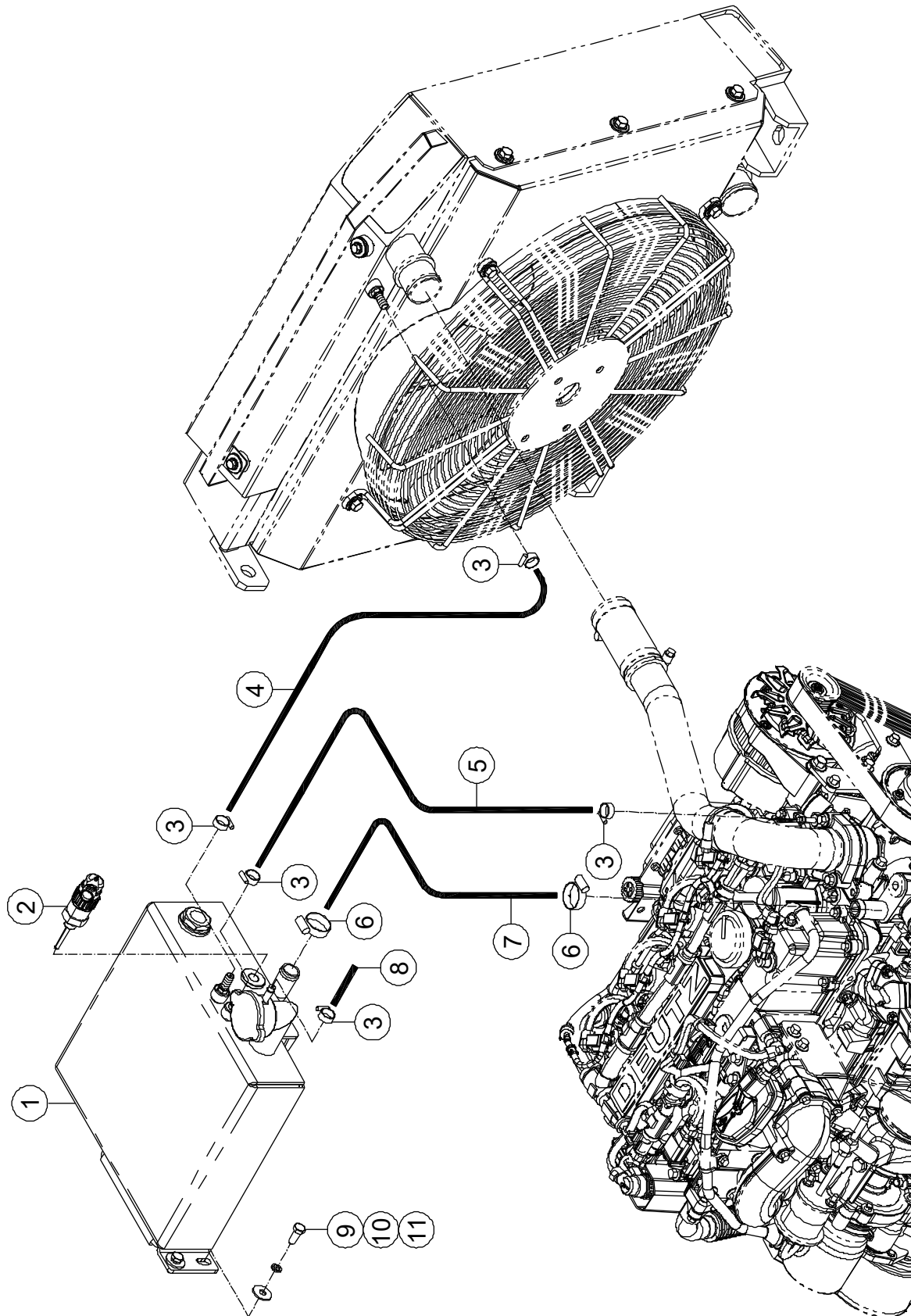
1-17 Engine Cooling System Installations 2 (Stage IV)



**1-17 Engine Cooling System Installations 2 (Stage IV)**

Item	Part Number	Description	Qty.	Remark
1	92101233	Container-Coolant Overflow	1	
2	92100158	Clamp	5	
3	90005077	Clamp	2	
4	92057785	Hose	1	
5	92100714	Hose	1	
6	92100717	Hose	1	
7	92100811	Hose	1	
8	00000875	Bolt GB/T 5783 M8 × 20	4	
9	00000609	Spring Washer GB/T 93 8	4	
10	00002000	Flat Washer GB/T 96.1 8	4	

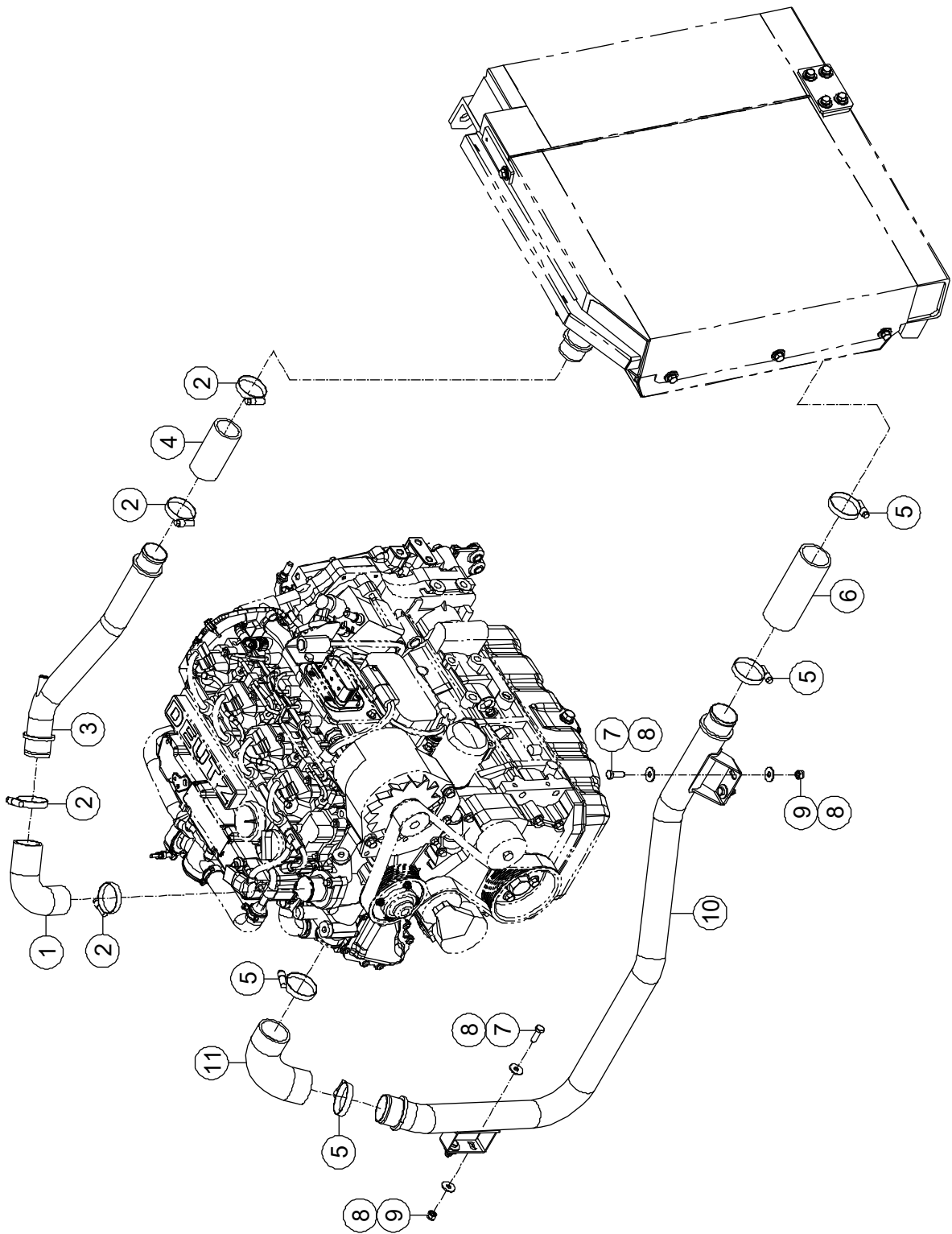
1-18 Engine Cooling System Installations 2 (Stage V)



**1-18 Engine Cooling System Installations 2 (Stage V)**

Item	Part Number	Description	Qty.	Remark
1	92101233	Container-Coolant Overflow	1	
2	00002595	Coolant Level Switch	1	
3	92100158	Clamp	5	
4	92057785	Hose	1	
5	92100714	Hose	1	
6	90005077	Clamp	2	
7	92100717	Hose	1	
8	92100811	Hose	1	
9	00000875	Bolt GB/T 5783 M8 × 20	4	
10	00000609	Spring Washer GB/T 93 8	4	
11	00002000	Flat Washer GB/T 96.1 8	4	

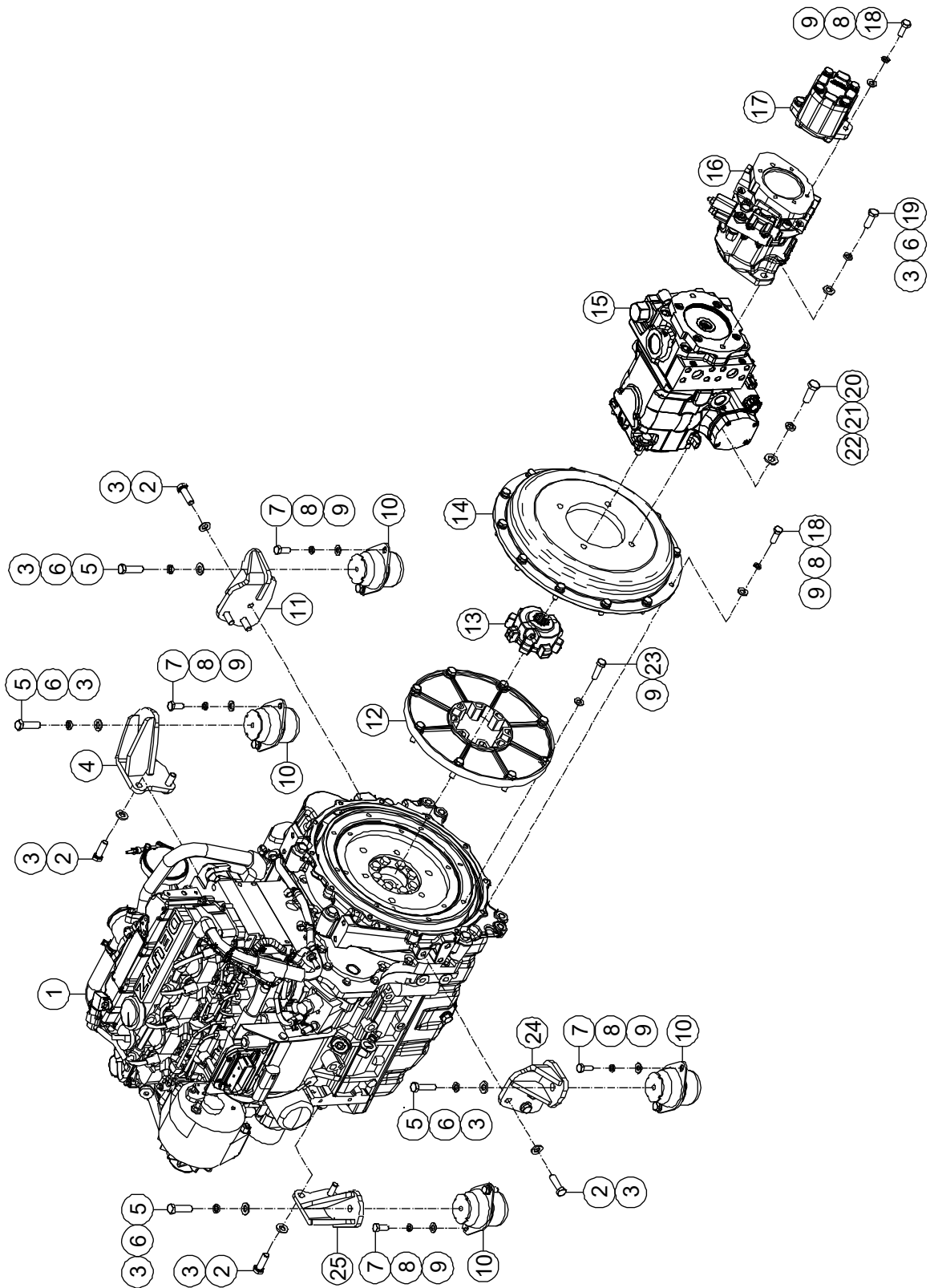
### 1-19 Engine Cooling System Installations 3



**1-19 Engine Cooling System Installations 3**

Item	Part Number	Description	Qty.	Remark
1	90029335	Sleeve	1	
2	90023851	Clamp	4	
3	92057782	Connecting Pipe	1	
4	90022040	Sleeve	1	
5	90007999	Clamp	4	
6	90029336	Sleeve	1	
7	00000993	Bolt GB/T 5783 M8 × 25	4	
8	00002000	Flat Washer GB/T 96.1 8	8	
9	00000994	Nut GB/T 889.1 M8	4	
10	92057780	Connecting Pipe	1	
11	90022034	Sleeve	1	

### 1-20 Engine and Pump Installations

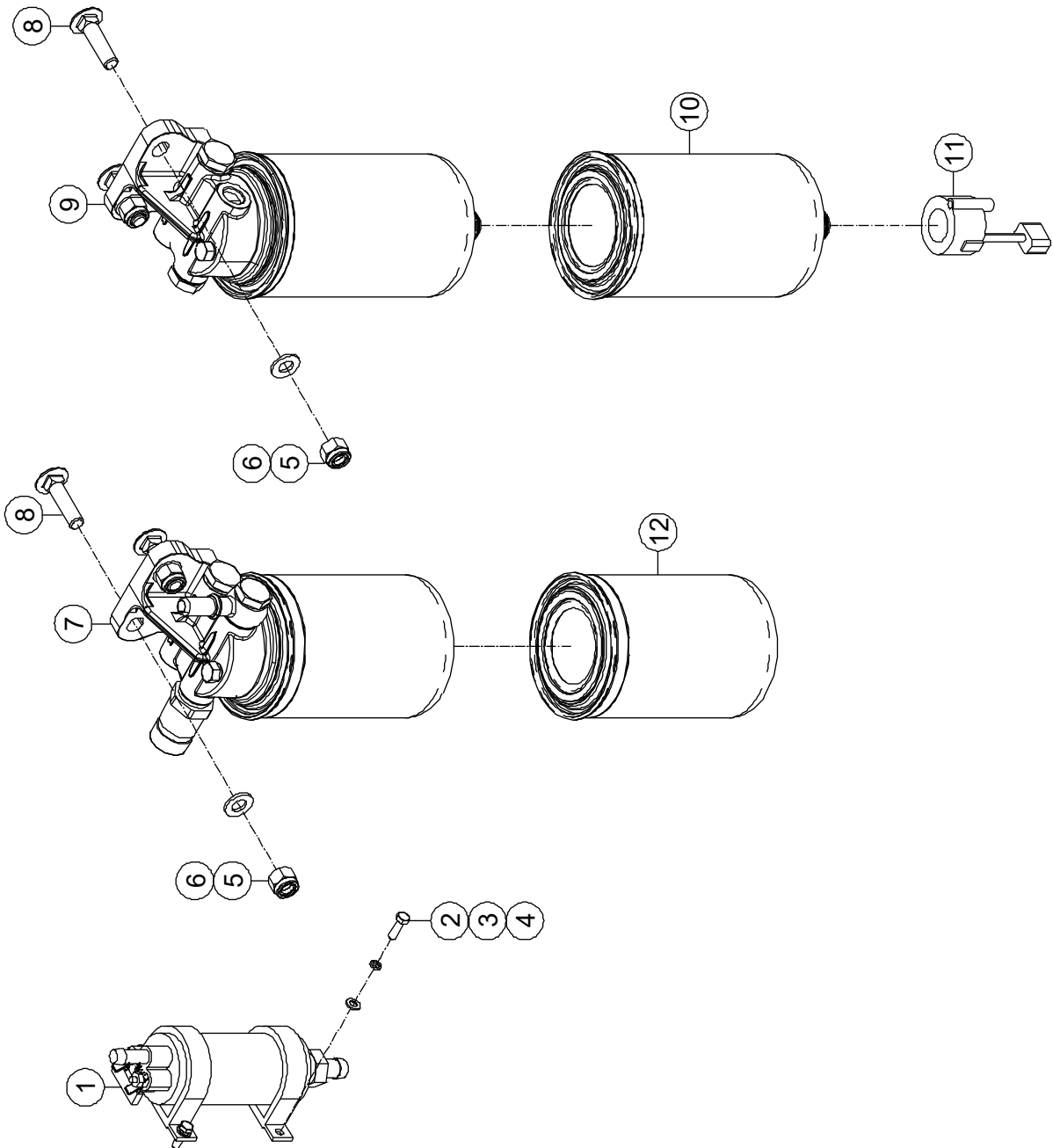




**1-20 Engine and Pump Installations**

Item	Part Number	Description	Qty.	Remark
1	90028827	Engine	1	Stage IV
	92101426	Engine	1	Stage V
2	00001055	Bolt GB/T 5783 M12 × 40	10	
3	00000814	Flat Washer GB/T 97.1 12	16	
4	92030133	Support	1	
5	00002452	Bolt GB/T 5783 M12 × 45	4	
6	00000815	Spring Washer GB/T 93 12	6	
7	00000678	Bolt GB/T 5783 M10 × 25	8	
8	00000679	Spring Washer GB/T 93 10	22	
9	00000615	Flat Washer GB/T 97.1 10	30	
10	00003760	Rubber Mounting	4	
11	92029276	Support	1	
12	92046508	Flange	1	
13	92046507	Spline	1	
14	90029271	Protection	1	
15	92046504	Drive Pump Assembly	1	
16	90028882	Function Pump Assembly	1	
17	90028889	Gear Pump	1	
18	00000683	Bolt GB/T 5783 M10 × 30	14	
19	00002046	Bolt GB/T 5783 M12 × 35	2	
20	00002904	Bolt GB/T 5783 M14 × 40	4	
21	00001258	Spring Washer GB/T 93 14	4	
22	00001043	Flat Washer GB/T 97.1 14	4	
23	00001041	Bolt GB/T 5783 M10 × 40	8	
24	92030135	Support	1	
25	92030131	Support	1	

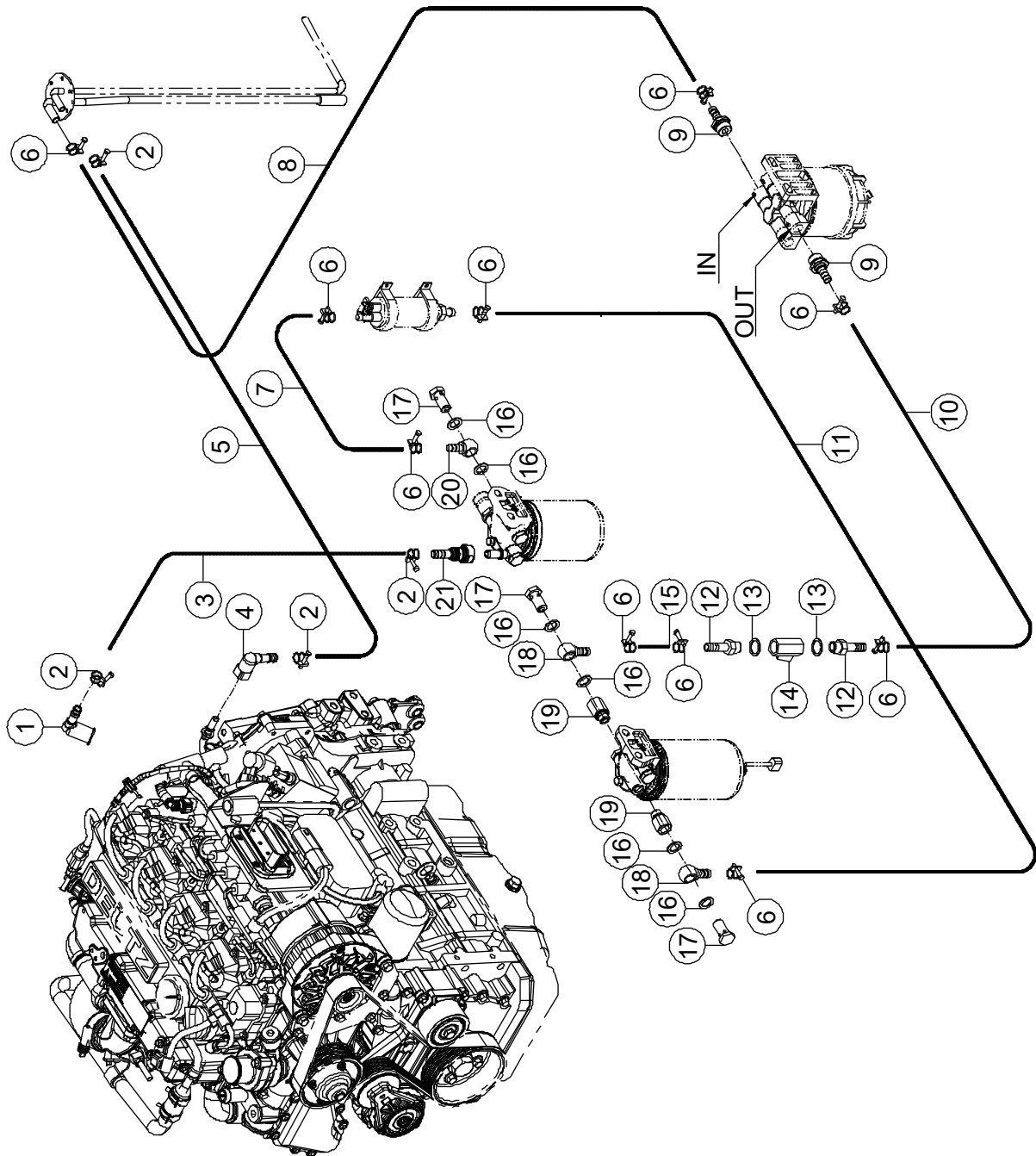
### 1-21 Fuel Filter Installations



**1-21 Fuel Filter Installations**

Item	Part Number	Description	Qty.	Remark
1	90029469	Fuel Pump	1	
2	00003949	Bolt GB/T 5783 M5 × 16	4	
3	00000606	Spring Washer GB/T 93 5	4	
4	00000605	Flat Washer GB/T 97.1 5	4	
5	00000623	Nut GB/T 6182 M10	4	
6	00000615	Flat Washer GB/T 97.1 10	4	
7	90029470	Fuel Filter	1	
8	00006441	Bolt GB/T 14 M10×40	4	
9	90029468	Fuel Filter	1	
10	90031462	Filter Cartridge	1	
11	90031464	Fuel Sensor	1	
12	90031463	Filter Cartridge	1	

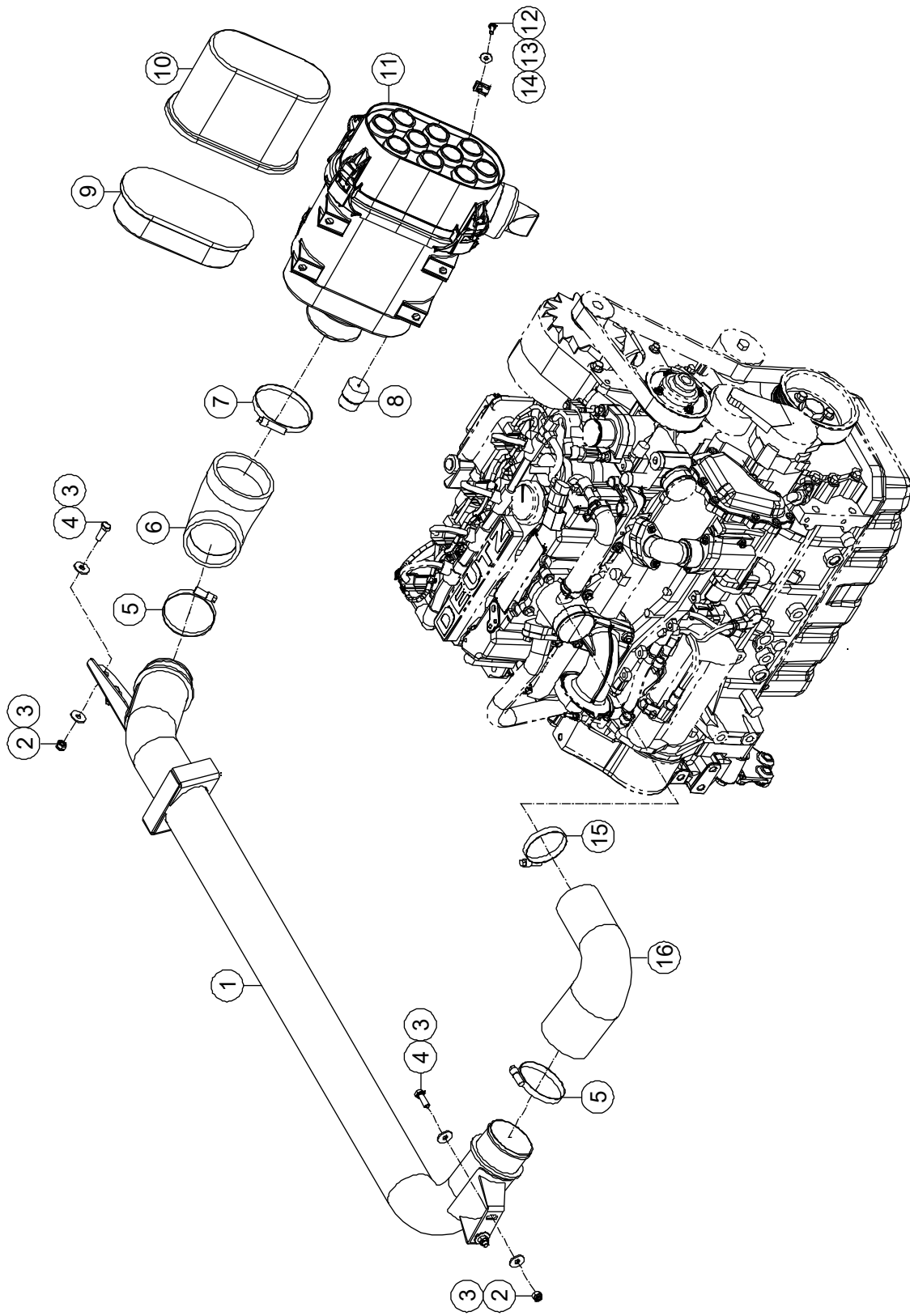
### 1-22 Engine Fuel System Installations



**1-22 Engine Fuel System Installations**

Item	Part Number	Description	Qty.	Remark
1	90023938	Pipe SAE $\Phi$ 10	1	
2	92100571	Clamp	4	
3	92056674	Hose	1	
4	90023935	Pipe Fitting	1	
5	92056680	Hose	1	
6	92100159	Clamp	10	
7	92048964	Hose	1	
8	92048941	Hose	1	
9	92000839	Pipe Fitting	2	
10	92056670	Hose	1	
11	92056672	Hose	1	
12	90023864	Pipe Fitting	2	
13	90006157	Copper Washer	2	
14	90031605	Tap	1	
15	92056671	Hose	1	
16	90007331	Washer	6	
17	90007329	Drilled Screw	3	
18	90023862	Pipe Fitting	2	
19	92100611	Fitting	2	
20	90007330	Pipe Fitting	1	
21	92048997	Pipe Fitting	1	

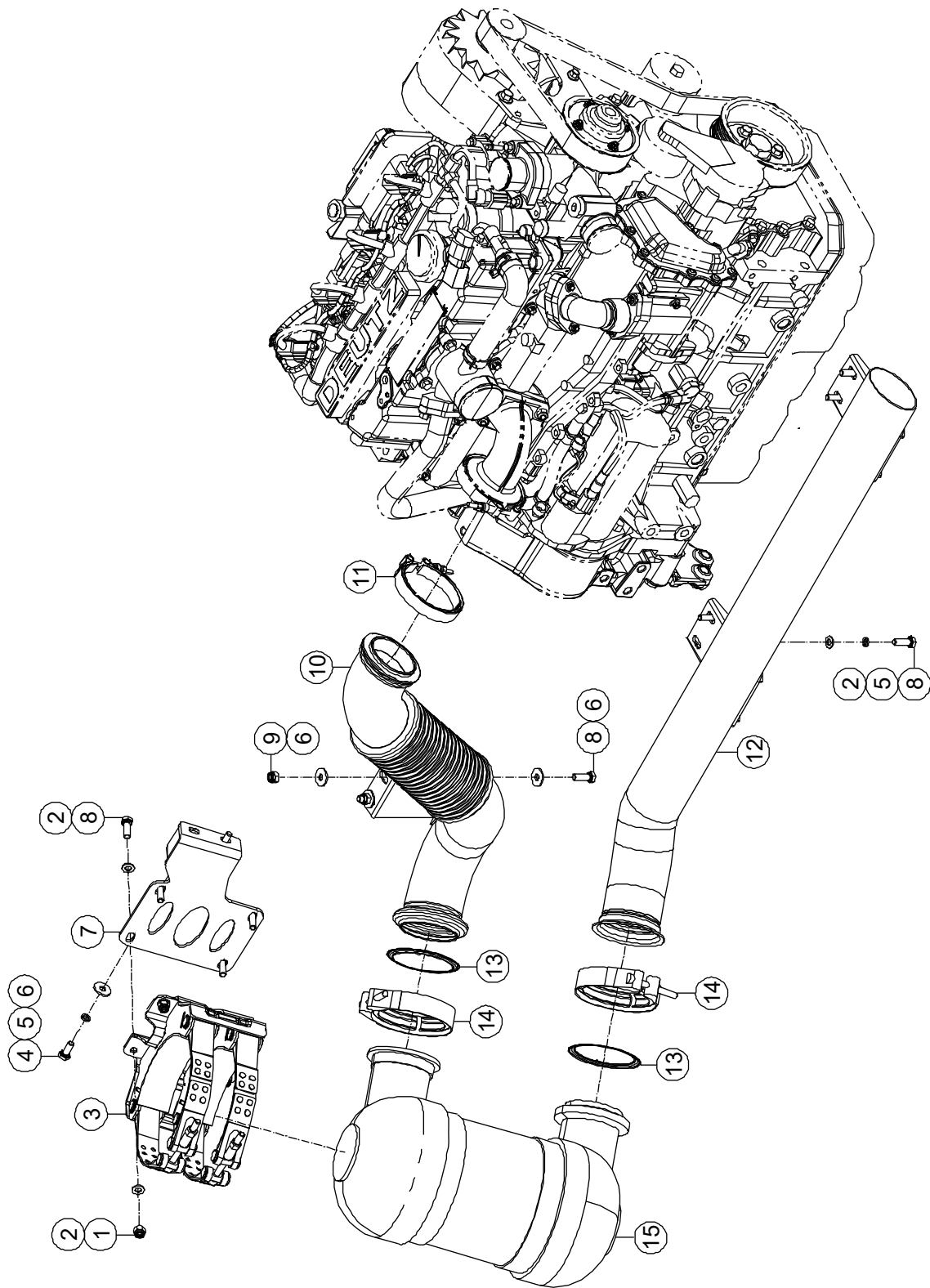
### 1-24 Engine Suction System Installations (Stage IV)



**1-23 Engine Suction System Installations (Stage IV)**

Item	Part Number	Description	Qty.	Remark
1	92057777	Connecting Pipe	1	
2	00000994	Nut GB/T 889.1 M8	4	
3	00002000	Flat Washer GB/T 96.1 8	8	
4	00000993	Bolt GB/T 5783 M8 × 25	4	
5	90015693	Clamp	2	
6	90029482	Sleeve	1	
7	90007001	Clamp	1	
8	00006809	Air Filter Sensor	1	
9	90031459	Safety Cartridge	1	
10	90031461	Filter Cartridge	1	
11	90029290	Complete Air Filter	1	
12	00000818	Bolt GB/T 5783 M6 × 16	4	
13	00002583	Flat Washer GB/T 96.1 6	4	
14	50000112	Nut QC/T 885 M6	4	
15	90007998	Clamp	1	
16	90015619	Sleeve	1	

### 1-24 Engine Exhaust System Installations (Stage IV)

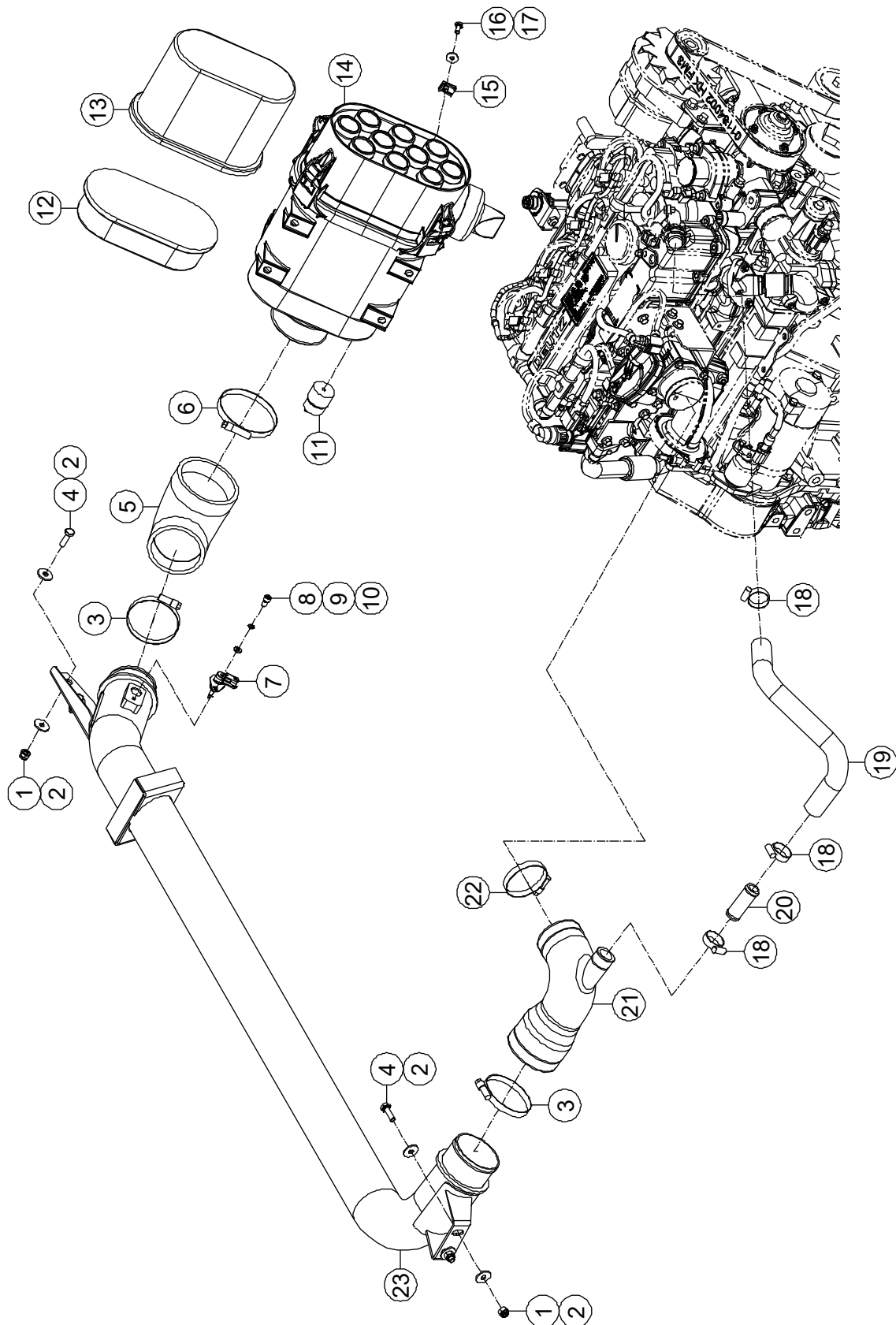




**1-24 Engine Exhaust System Installations (Stage IV)**

Item	Part Number	Description	Qty.	Remark
1	00001163	Nut GB/T 6182 M8	4	
2	00000608	Flat Washer GB/T 97.1 8	12	
3	90029478	Support	1	
4	00000875	Bolt GB/T 5783 M8 × 20	2	
5	00000609	Spring Washer GB/T 93 8	6	
6	00002000	Flat Washer GB/T 96.1 8	6	
7	92057958	Support	1	
8	00000993	Bolt GB/T 5783 M8 × 25	10	
9	00000994	Nut GB/T 889.1 M8	2	
10	92057769	Connecting Pipe	1	
11	92049045	Collar	1	
12	92057770	Connecting Pipe	1	
13	92048985	Seal	2	
14	92048983	Collar	2	
15	90029479	Catalyst	1	

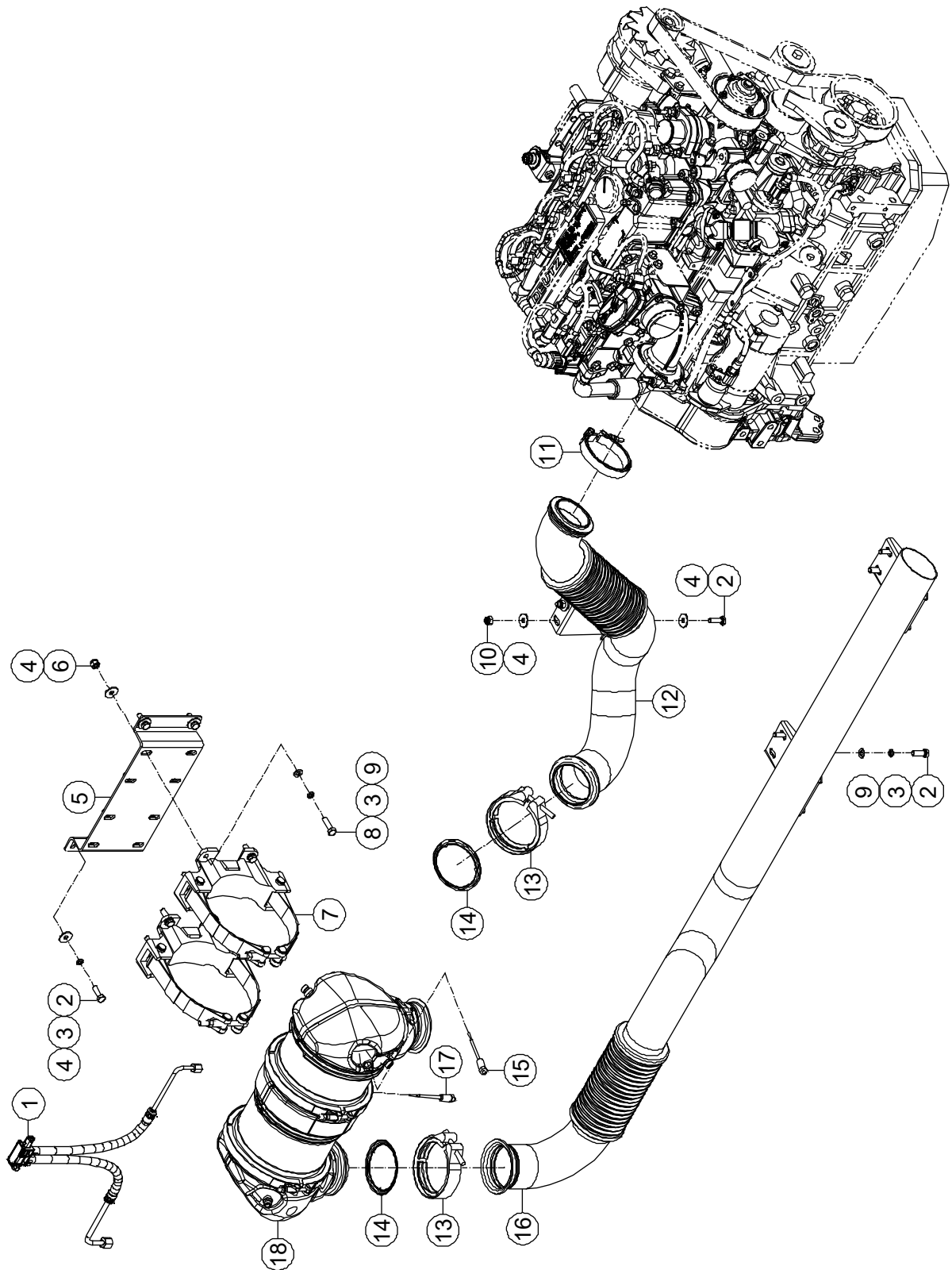
### 1-25 Engine Suction System Installations (Stage V)



**1-25 Engine Suction System Installations (Stage V)**

Item	Part Number	Description	Qty.	Remark
1	00000994	Nut GB/T 889.1 M8	4	
2	00002000	Flat Washer GB/T 96.1 8	8	
3	90015693	Clamp	2	
4	00000993	Bolt GB/T 5783 M8 × 25	4	
5	90029482	Sleeve	1	
6	90007001	Clamp	1	
7	00006583	Ambient Temperature Sensor	1	
8	00002029	Screw GB/T 70 M6 × 12	1	
9	00000621	Spring Washer GB/T 93 6	1	
10	00000620	Flat Washer GB/T 97.1 6	1	
11	00006809	Air Filter Sensor	1	
12	90031459	Safety Cartridge	1	
13	90031461	Filter Cartridge	1	
14	90029290	Complete Air Filter	1	
15	50000112	Nut QC/T 885 M6	4	
16	00000818	Bolt GB/T 5783 M6 × 16	4	
17	00002583	Flat Washer GB/T 96.1 6	4	
18	90005077	Clamp	3	
19	92101412	Sleeve	1	
20	92101415	Connecting Pipe	1	
21	92101411	Sleeve	1	
22	90007998	Clamp	1	
23	92101404	Connecting Pipe	1	

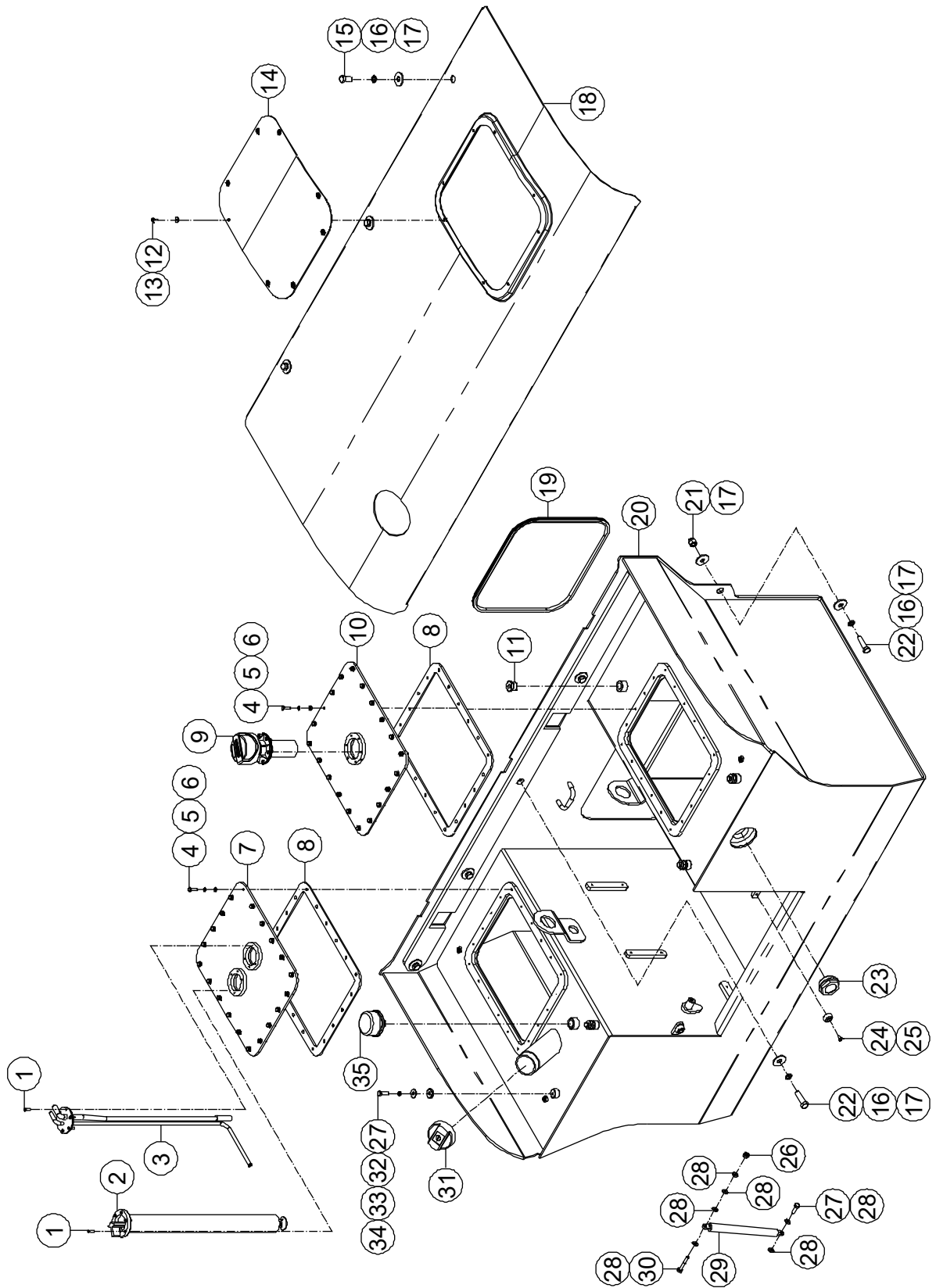
### 1-26 Engine Exhaust System Installations (Stage V)



**1-26 Engine Exhaust System Installations (Stage V)**

Item	Part Number	Description	Qty.	Remark
1	00006582	Differential Pressure Sensor	1	
2	00000993	Bolt GB/T 5783 M8 × 25	10	
3	00000609	Spring Washer GB/T 93 8	16	
4	00002000	Flat Washer GB/T 96.1 8	16	
5	92101414	Support	1	
6	00001163	Nut GB/T 6182 M8	8	
7	92048989	Support	1	
8	00000995	Bolt GB/T 5783 M8 × 30	8	
9	00000608	Flat Washer GB/T 97.1 8	12	
10	00000994	Nut GB/T 889.1 M8	2	
11	92049045	Collar	1	
12	92101521	Connecting Pipe	1	
13	92048983	Collar	2	
14	92048985	Seal	2	
15	00007119	Exhaust Temperature Sensor (B65)	1	
16	92101431	Connecting Pipe	1	
17	00007123	Exhaust Temperature Sensor (B66)	1	
18	92100267	Catalyst	1	

### 1-27 Hydraulic Module Assembly 1



**1-27 Hydraulic Module Assembly 1**

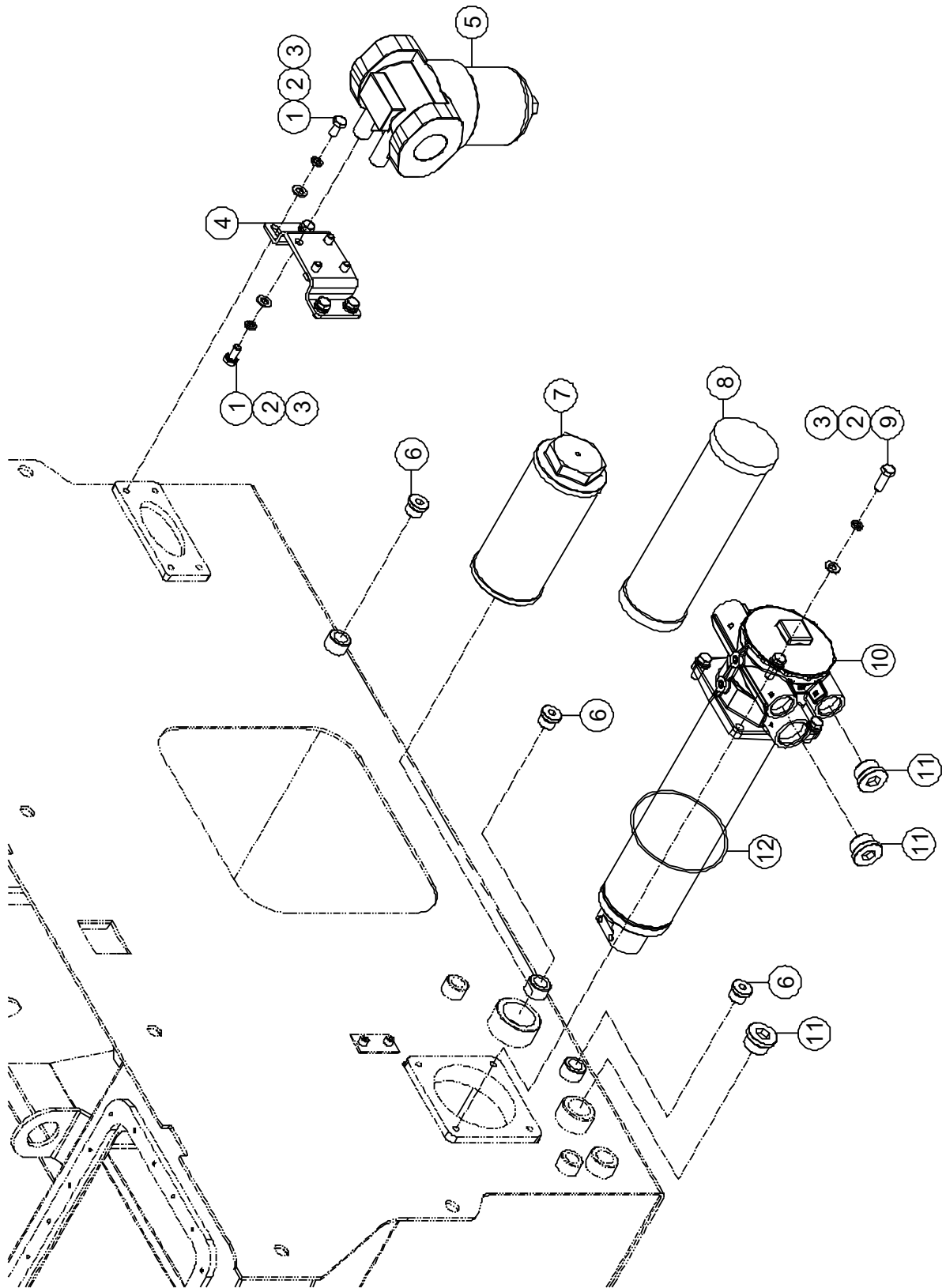
Item	Part Number	Description	Qty.	Remark
1	00001232	Screw GB/T 818 M4 × 16 - H	12	
2	00004768	Fuel Level Sensor	1	
3	90030551	Suction Pipe	1	
4	00000743	Bolt GB/T 5783 M6 × 20	40	
5	00000621	Spring Washer GB/T 93 6	40	
6	00000620	Flat Washer GB/T 97.1 6	40	
7	92100961	Cover	1	
8	50001438	Seal	2	
9	90012734	Vent Plug	1	
10	92100213	Cover	1	
11	00001114	Plug	1	
12	00001012	Screw GB/T 973 M5×14	8	
13	00003545	Flat Washer GB/T 96.1 5	8	
14	92101403	Cover, Manhole	1	
15	00000816	Bolt GB/T 5783 M12 × 25	3	
16	00000815	Spring Washer GB/T 93 12	10	
17	00002601	Flat Washer GB/T 96.1 12	12	
18	92100942	Bonnet	1	
19	92049057	Seal	1	
20	92100956	Tank Module	1	
21	00001249	Nut GB/T 6182 M12	2	
22	00002452	Bolt GB/T 5783 M12 × 45	7	
23	90015911	Level Indicator	1	
24	00001011	Screw GB/T 973 M5×12	2	
25	10000376	Rubber Mounting	2	
26	00001163	Nut GB/T 6182 M8	1	
27	00000993	Bolt GB/T 5783 M8 × 25	5	
28	00000608	Flat Washer GB/T 97.1 8	6	
29	92004808	Spring, Gas	1	

**1-27 Hydraulic Module Assembly 1 (Continued)**

Item	Part Number	Description	Qty.	Remark
30	00002089	Bolt GB/T 5782 M8 × 50	1	
31	90003907	Plug	1	
32	00000609	Spring Washer GB/T 93 8	4	
33	00002000	Flat Washer GB/T 96.1 8	4	
34	90009828	Spacer	4	
35	90028620	Filter	1	



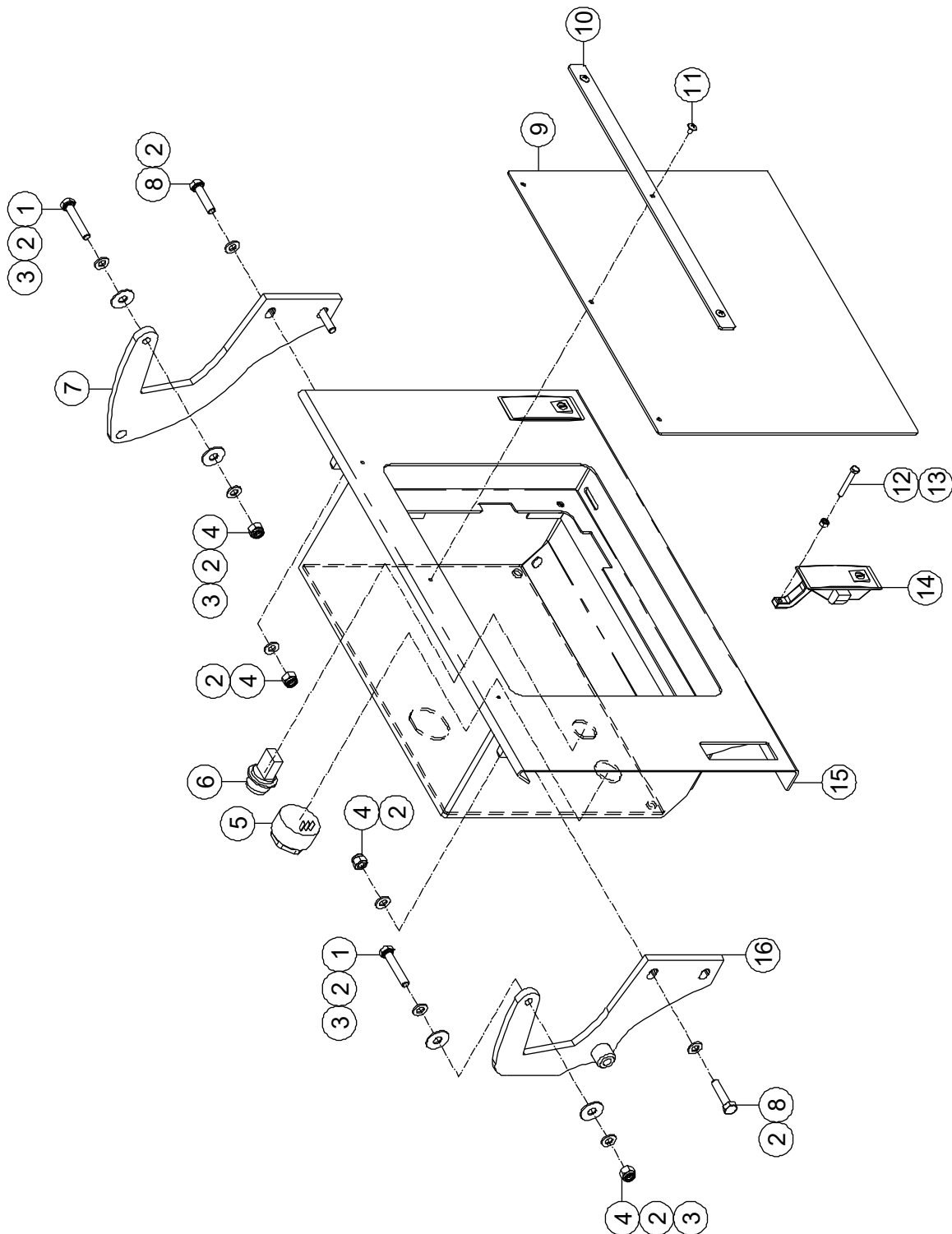
1-28 Hydraulic Module Assembly 2



**1-28 Hydraulic Module Assembly 2**

Item	Part Number	Description	Qty.	Remark
1	00000674	Bolt GB/T 5783 M10 × 20	8	
2	00000679	Spring Washer GB/T 93 10	12	
3	00000615	Flat Washer GB/T 97.1 10	12	
4	92000113	Support	1	
5	00001871	Pressure Filter	1	
6	00001114	Plug	4	
7	90029476	Filter Cartridge	1	
8	90023094	Filter Cartridge	1	
9	00000683	Bolt GB/T 5783 M10 × 30	4	
10	90018480	Pipe Connection	1	
11	00001116	Plug	3	
12	92009952	O-RING	1	

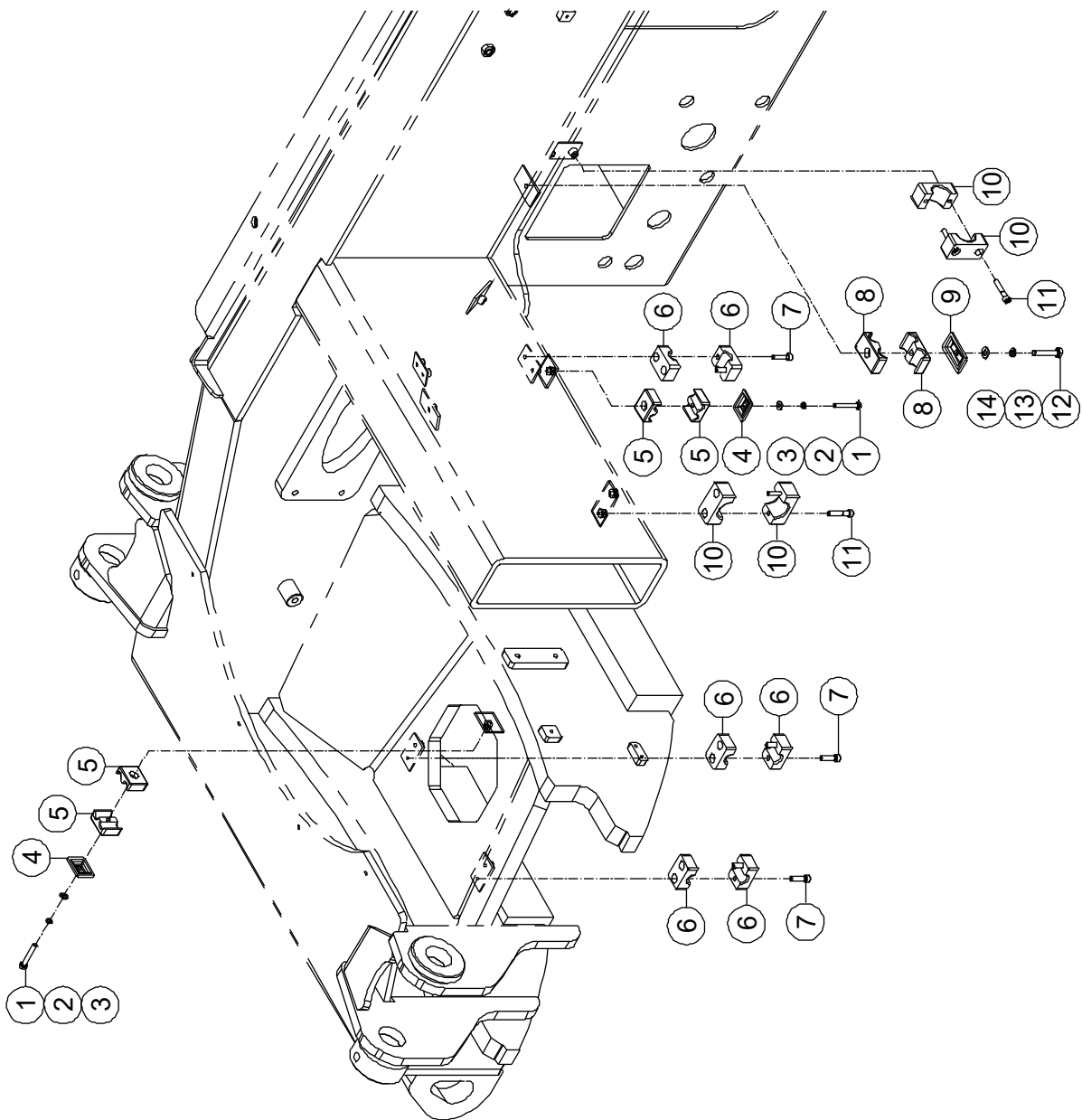
### 1-29 Ground Control Box Assembly



**1-29 Ground Control Box Assembly**

Item	Part Number	Description	Qty.	Remark
1	00002607	Bolt GB/T 5783 M8 × 45	2	
2	00000608	Flat Washer GB/T 97.1 8	12	
3	92048976	Shim	4	
4	00001163	Nut GB/T 6182 M8	6	
5	00002326	Alarm	1	
6	00006260	USB Port	1	
7	92048966	Hinge	1	
8	00002488	Bolt GB/T 5783 M8 × 35	4	
9	92000277	Shield, Plastic	1	
10	92000278	Plate	1	
11	00001001	Screw GB/T 973 M4×8	3	
12	00006261	Bolt GB/T 5783 - M5 × 35	2	
13	00000688	Nut GB/T 6170 M5	2	
14	92048979	Lock	2	
15	92048954	Ground Control Box	1	
16	92048972	Hinge	1	

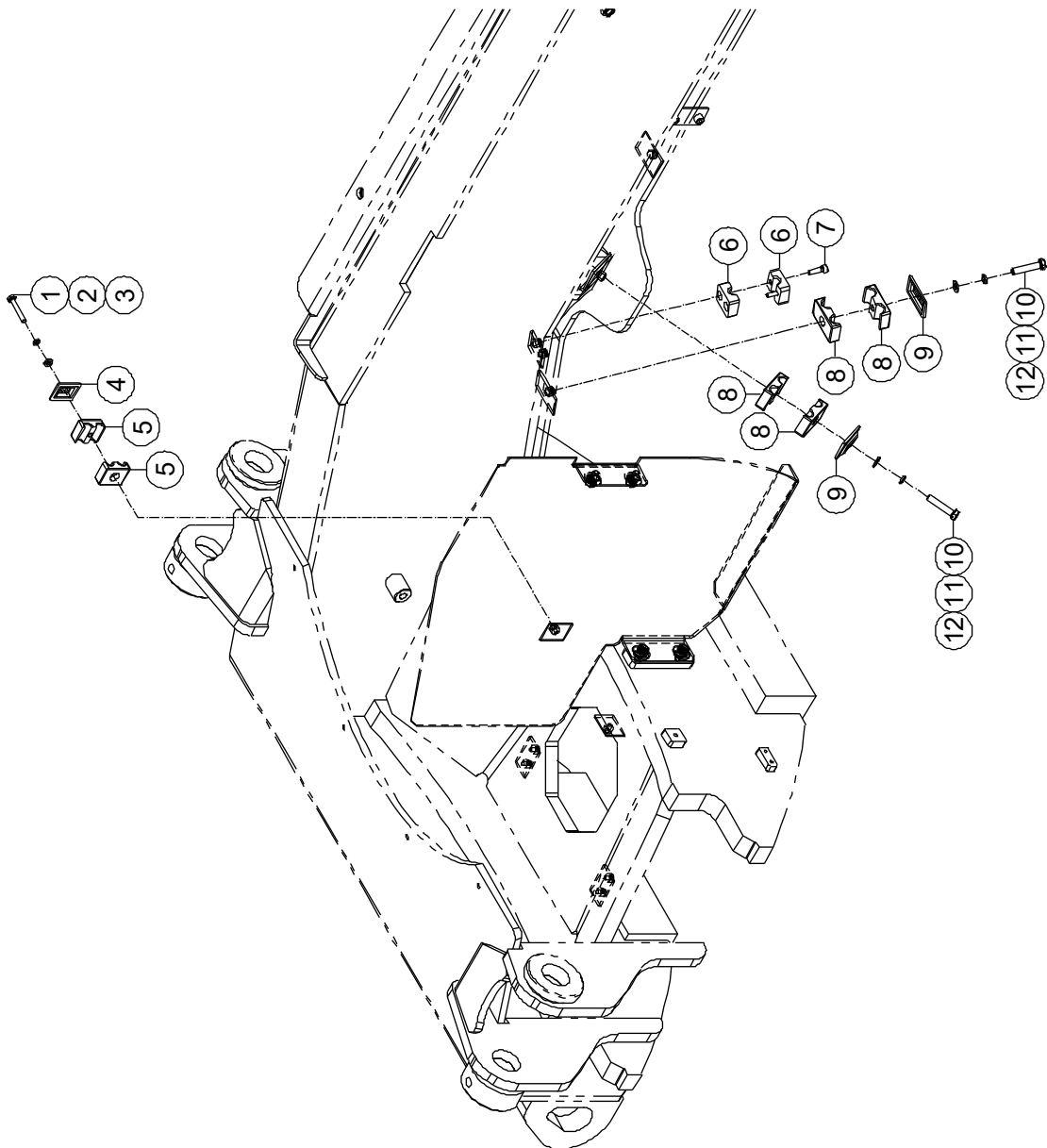
### 1-30 Chassis Clamp Installations 1



**1-30 Chassis Clamp Installations 1**

Item	Part Number	Description	Qty.	Remark
1	00002559	Bolt GB/T 5783 M6 × 40	2	
2	00000621	Spring Washer GB/T 93 6	2	
3	00000620	Flat Washer GB/T 97.1 6	2	
4	90004148	Spacer	2	
5	90003848	Clamp	4	
6	90001755	Clamp	6	
7	00001034	Screw GB/T 70 M6 × 25	6	
8	90001242	Clamp	2	
9	90001243	Spacer	1	
10	90003865	Clamp	4	
11	00002934	Screw GB/T 70 M6 × 35	4	
12	00002604	Bolt GB/T 5783 M8 × 40	1	
13	00000609	Spring Washer GB/T 93 8	1	
14	00000608	Flat Washer GB/T 97.1 8	1	

### 1-31 Chassis Clamp Installations 2

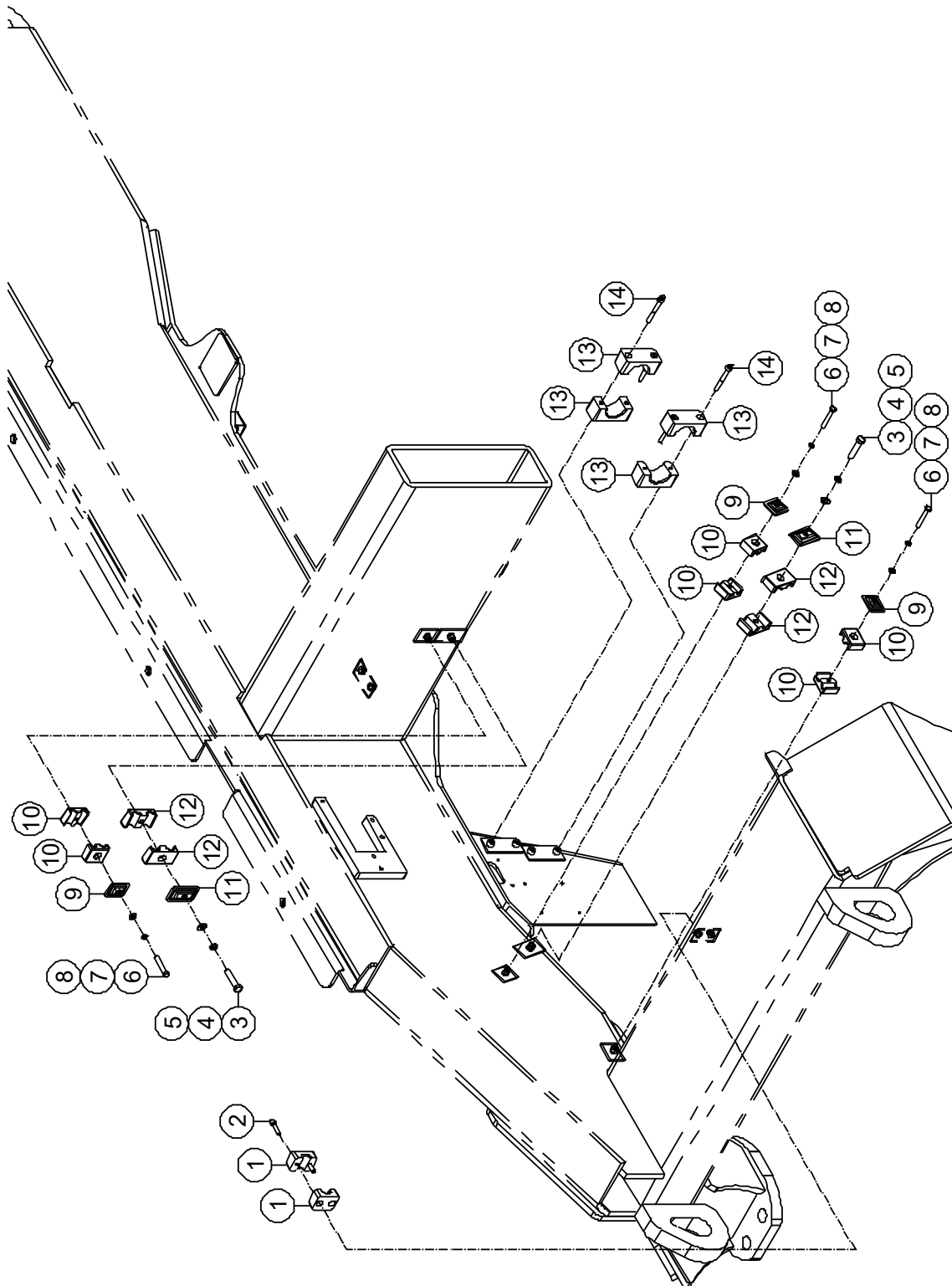


**1-31 Chassis Clamp Installations 2**

Item	Part Number	Description	Qty.	Remark
1	00002559	Bolt GB/T 5783 M6 × 40	1	Stage IV Only
2	00000621	Spring Washer GB/T 93 6	1	
3	00000620	Flat Washer GB/T 97.1 6	1	
4	90004148	Spacer	1	
5	90003848	Clamp	2	
6	90001754	Clamp	2	
7	00000774	Screw GB/T 70 M6 × 20	2	
8	90001242	Clamp	4	
9	90001243	Spacer	2	
10	00002604	Bolt GB/T 5783 M8 × 40	2	
11	00000609	Spring Washer GB/T 93 8	2	
12	00000608	Flat Washer GB/T 97.1 8	2	



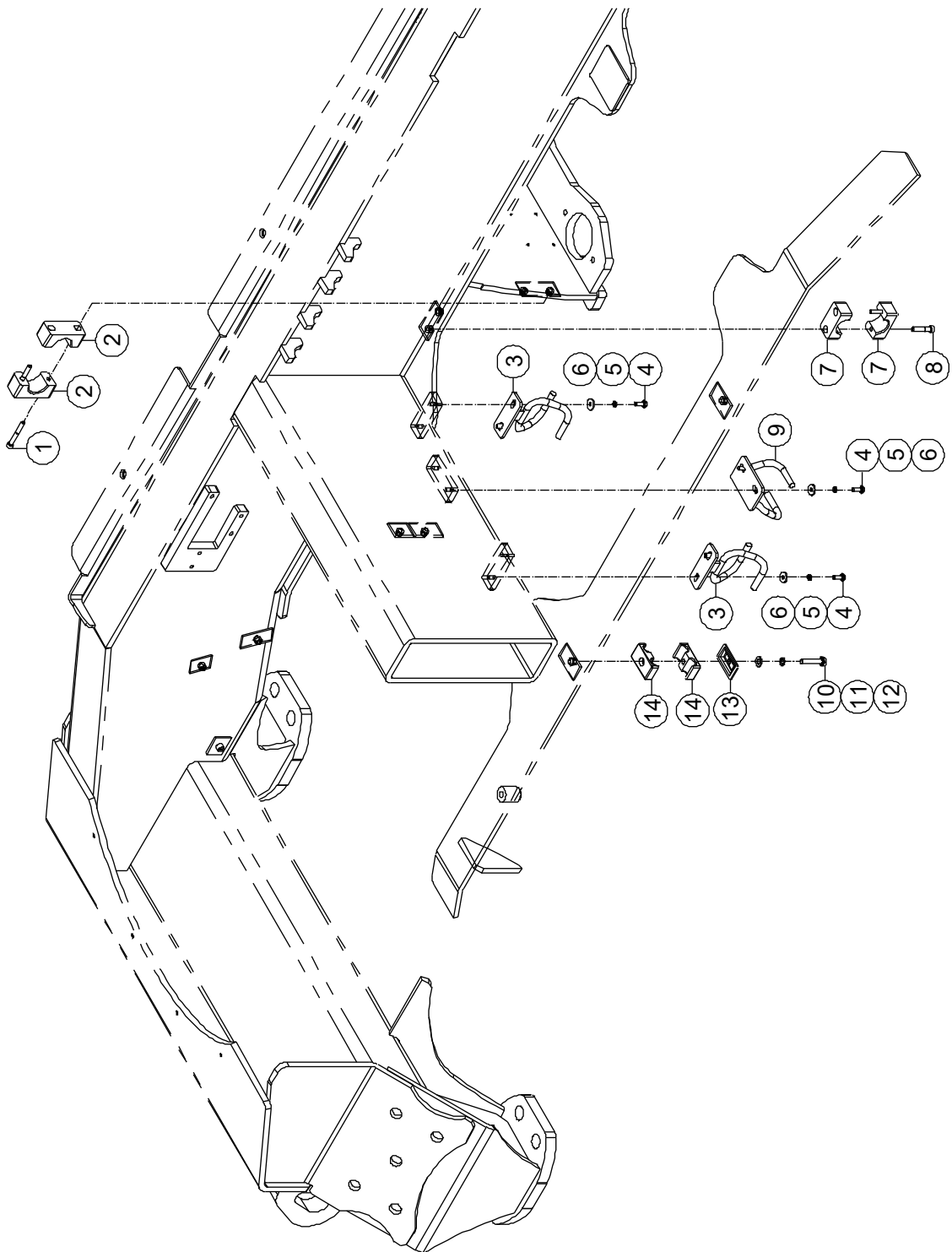
### 1-32 Chassis Clamp Installations 3



**1-32 Chassis Clamp Installations 3**

Item	Part Number	Description	Qty.	Remark
1	90001755	Clamp	2	
2	00001034	Screw GB/T 70 M6 × 25	2	
3	00002604	Bolt GB/T 5783 M8 × 40	2	
4	00000609	Spring Washer GB/T 93 8	2	
5	00000608	Flat Washer GB/T 97.1 8	2	
6	00002559	Bolt GB/T 5783 M6 × 40	3	
7	00000621	Spring Washer GB/T 93 6	3	
8	00000620	Flat Washer GB/T 97.1 6	3	
9	90004148	Spacer	3	
10	90003848	Clamp	6	
11	90001243	Spacer	2	
12	90001242	Clamp	4	
13	90003850	Clamp	4	
14	00005201	Screw GB/T 70 M6 × 50	4	

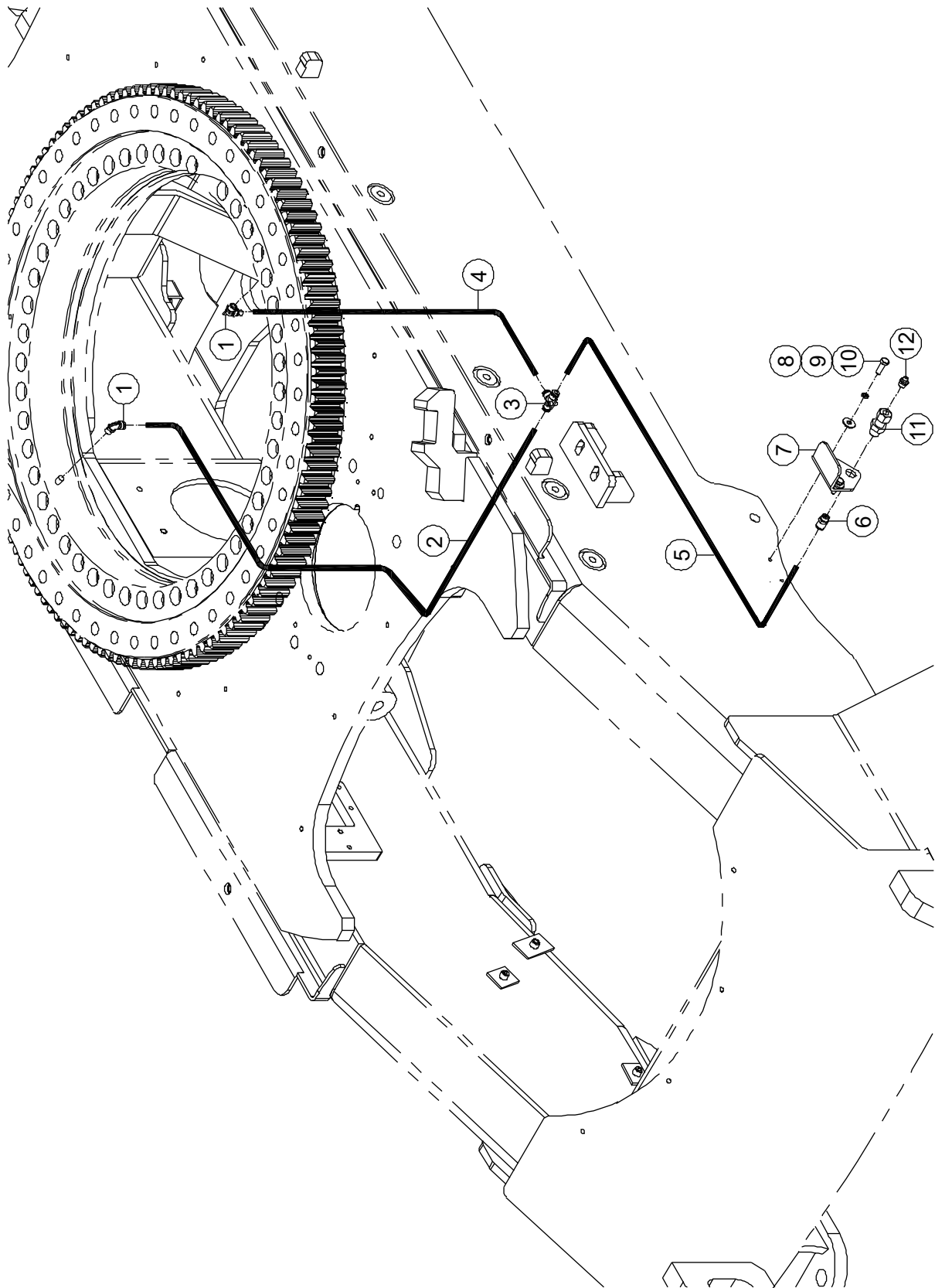
### 1-33 Chassis Clamp Installations 4



**1-33 Chassis Clamp Installations 4**

Item	Part Number	Description	Qty.	Remark
1	00005201	Screw GB/T 70 M6 × 50	2	
2	90023286	Clamp	2	
3	92049073	Support Tubes	2	
4	00000818	Bolt GB/T 5783 M6 × 16	6	
5	00000621	Spring Washer GB/T 93 6	6	
6	00002583	Flat Washer GB/T 96.1 6	6	
7	90003865	Clamp	2	
8	00002934	Screw GB/T 70 M6 × 35	2	
9	92049063	Support Tubes	1	
10	00002604	Bolt GB/T 5783 M8 × 40	1	
11	00000609	Spring Washer GB/T 93 8	1	
12	00000608	Flat Washer GB/T 97.1 8	1	
13	90001243	Spacer	1	
14	90001242	Clamp	2	

### 1-34 Grease System Installations

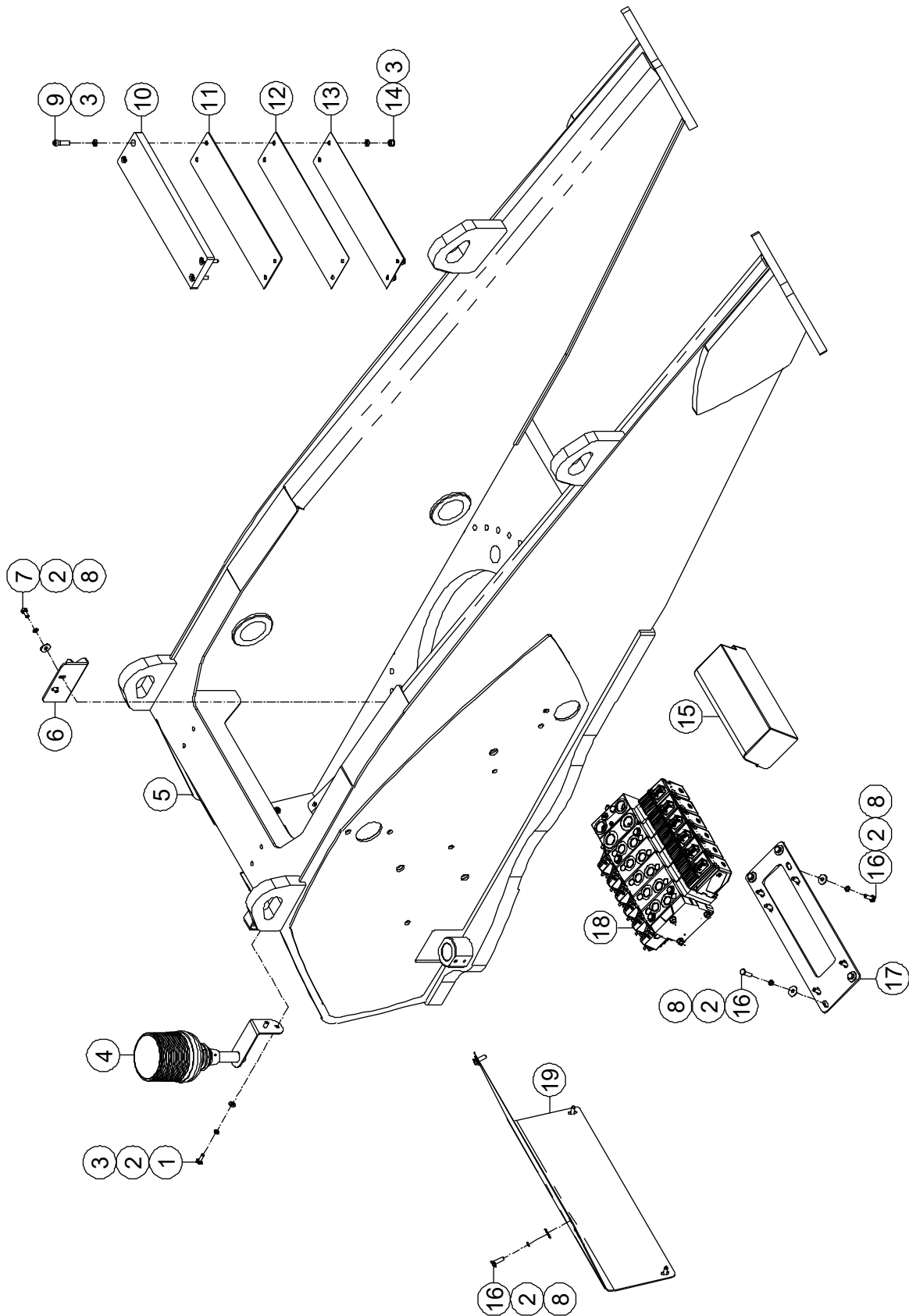


**1-34 Grease System Installations**

Item	Part Number	Description	Qty.	Remark
1	92102220	Fitting, 90°	2	
2	92102223	Hose	1	
3	92102221	Fitting, Tee	1	
4	92102222	Hose	1	
5	92102224	Hose	1	
6	93300963	Fitting	1	
7	92102219	Support	1	
8	00002583	Flat Washer GB/T 96.1 6	2	
9	00000621	Spring Washer GB/T 93 6	2	
10	00000743	Bolt GB/T 5783 M6 × 20	2	
11	93000115	Fitting	1	
12	93300962	Grease Nipple	1	

# Section 2 Turntable

### 2-1 Turntable Accessories Installations 1

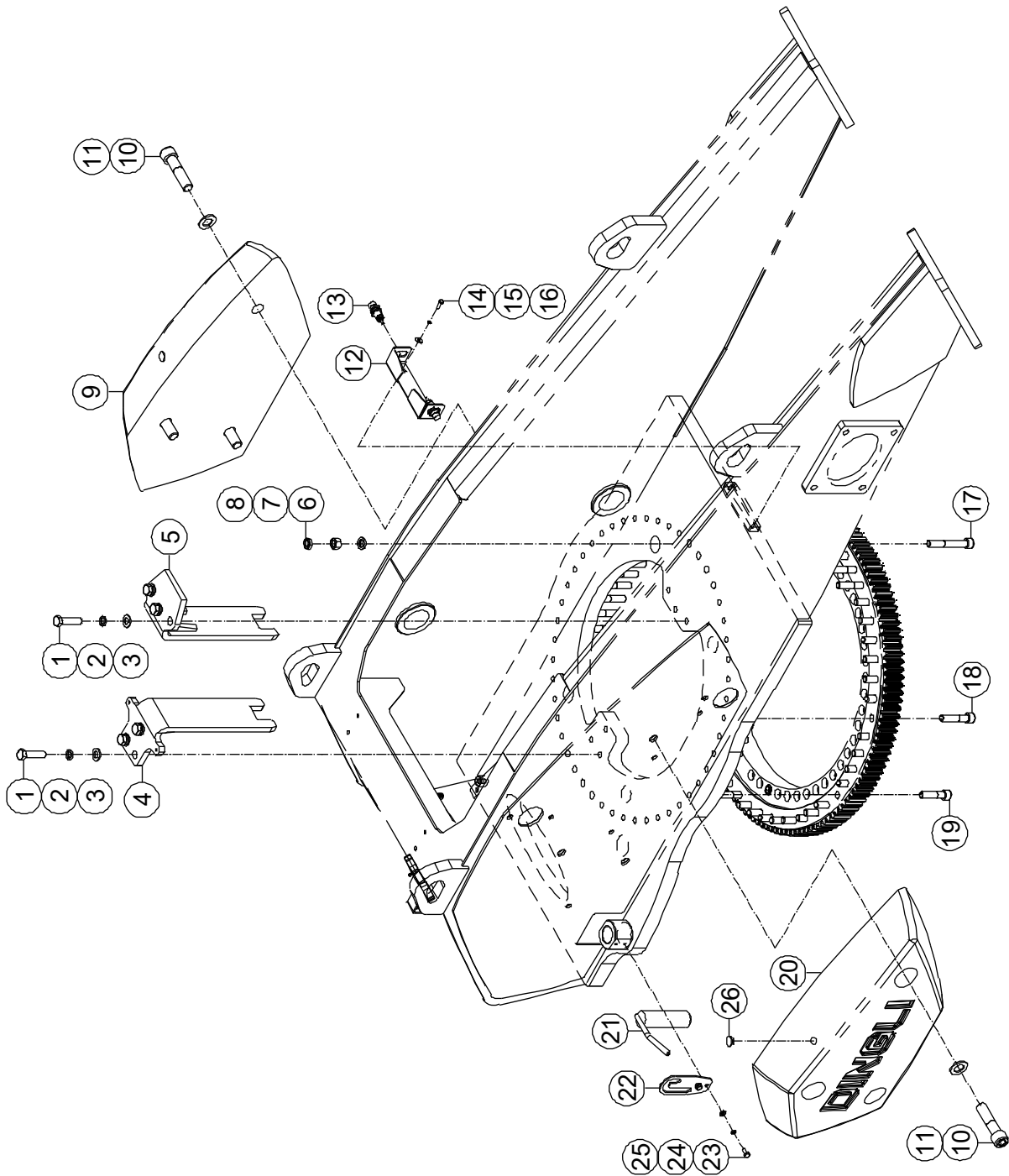




**2-1 Turntable Accessories Installations 1**

Item	Part Number	Description	Qty.	Remark
1	00000875	Bolt GB/T 5783 M8 × 20	2	
2	00000609	Spring Washer GB/T 93 8	18	
3	00000608	Flat Washer GB/T 97.1 8	10	
4	00003165	Beacon	1	
5	92058236	Turntable	1	
6	92048945	Support	1	
7	00001063	Bolt GB/T 5783 M8 × 16	2	
8	00002000	Flat Washer GB/T 96.1 8	16	
9	00002062	Screw GB/T 70 M8 × 35	4	
10	92058312	Boom Pad	1	
11	92058313	Shim	1	
12	92058314	Shim	1	
13	92058315	Shim	1	
14	00001163	Nut GB/T 6182 M8	4	
15	92100979	Housing ( <i>Used for 92047081 PVG</i> )	1	
16	00000993	Bolt GB/T 5783 M8 × 25	14	
17	92058310	Support	1	
18	92047081	PVG Valve Block ( <i>Refer to 2-3</i> )	1	Standard
	00008096	PVG Valve Block ( <i>Refer to 2-4</i> )	1	Optional
19	92058317	Cover	1	

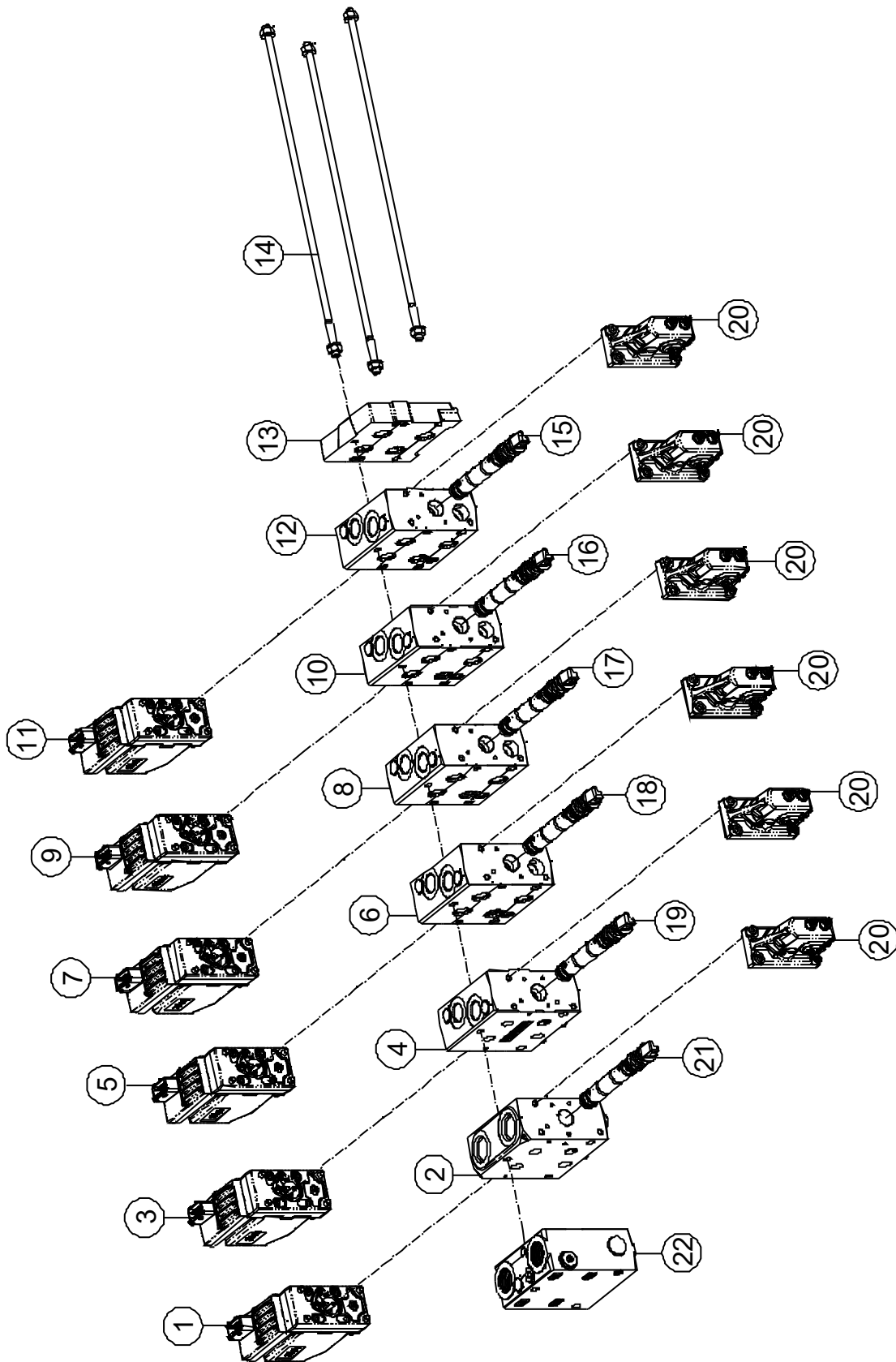
2-2 Turntable Accessories Installations 2



**2-2 Turntable Accessories Installations 2**

Item	Part Number	Description	Qty.	Remark
1	00001049	Bolt GB/T 5783 M16 × 60	6	
2	00001035	Spring Washer GB/T 93 16	6	
3	00000997	Flat Washer GB/T 97.1 16	6	
4	92100830	Stirrup	1	
5	92100831	Stirrup	1	
6	00002611	Nut GB/T 6172.1 M16	8	
7	00002510	Nut GB/T 6170 M16	8	
8	00001102	Flat Washer 16 JB/ZQ 4080-2006	8	
9	92058355	Turntable Counterweight	1	
10	00003055	Screw GB/T 70 M24 × 100	6	
11	00001159	Flat Washer GB/T 97.1 24	6	
12	92058320	Support	1	
13	00006642	Proximity Switch	2	
14	00000743	Bolt GB/T 5783 M6 × 20	2	
15	00000621	Spring Washer GB/T 93 6	2	
16	00002583	Flat Washer GB/T 96.1 6	2	
17	00006416	Screw GB/T 70 M16 × 110	8	
18	00006417	Screw GB/T 70 M16 × 75	26	
19	00006808	Screw GB/T 70 M16 × 65	14	
20	92058360	Turntable Counterweight	1	
21	92029901	Pin	1	
22	92029902	Block	1	
23	00001063	Bolt GB/T 5783 M8 × 16	2	
24	00000609	Spring Washer GB/T 93 8	2	
25	00000608	Flat Washer GB/T 97.1 8	2	
26	92100376	Plug	2	

### 2-3 PVG Valve Block (Standard)



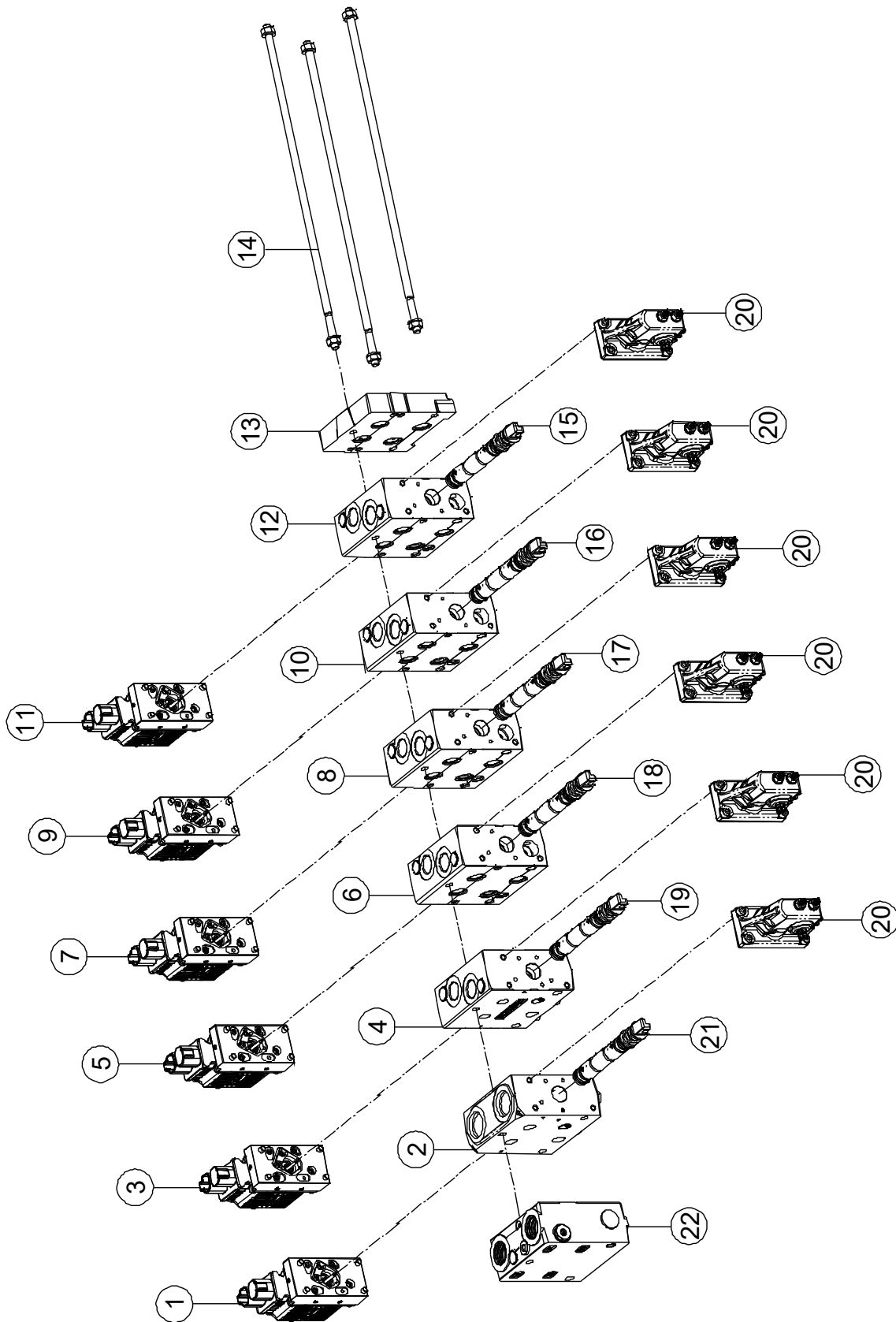
**2-3 PVG Valve Block (Standard)**

Item	Part Number	Name	Qty	Note
1	00010988	PVED, Electric Control Unit	1	
--	00011035	Seal Kit	1	
2	00010973	PVSKM, Enable Unit	1	
--	00011033	Seal Kit	1	
3	00010989	PVED, Electric Control Unit	1	
--	00011035	Seal Kit	1	
4	00010986	PVB, Work Unit	1	
--	00011033	Seal Kit	1	
5	00010990	PVED, Electric Control Unit	1	
--	00011035	Seal Kit	1	
6	00010985	PVB, Work Unit	1	
--	00011033	Seal Kit	1	
7	00010991	PVED, Electric Control Unit	1	
--	00011035	Seal Kit	1	
8	00010984	PVB, Work Unit	1	
--	00011033	Seal Kit	1	
9	00010992	PVED, Electric Control Unit	1	
--	00011035	Seal Kit	1	
10	00010983	PVB, Work Unit	1	
--	00011033	Seal Kit	1	
11	00010993	PVED, Electric Control Unit	1	
--	00011035	Seal Kit	1	
12	00010982	PVB, Work Unit	1	
--	00011033	Seal Kit	1	
13	00011023	PVSI, Cover	1	
14	00011030	PVAS, Bolt	1	
15	00011018	PVBS, Directional Cartridge	1	
16	00011019	PVBS, Directional Cartridge	1	
17	00011020	PVBS, Directional Cartridge	1	

**2-3 PVG Valve Block (Standard) (Continued)**

Item	Part Number	Name	Qty	Note
18	00011016	PVBS, Directional Cartridge	1	
19	00011017	PVBS, Directional Cartridge	1	
20	00011012	PVM, Manual Unit	6	
--	00011036	Seal Kit	6	
21	00011013	PVSKS, Cartridge, Enable	1	
--	00011033	Seal Kit	1	
22	00010972	PVP, Inlet Unit	1	
--	00011034	Seal Kit	1	

### 2-4 PVG Valve Block (Optional)



**2-4 PVG Valve Block (Optional)**

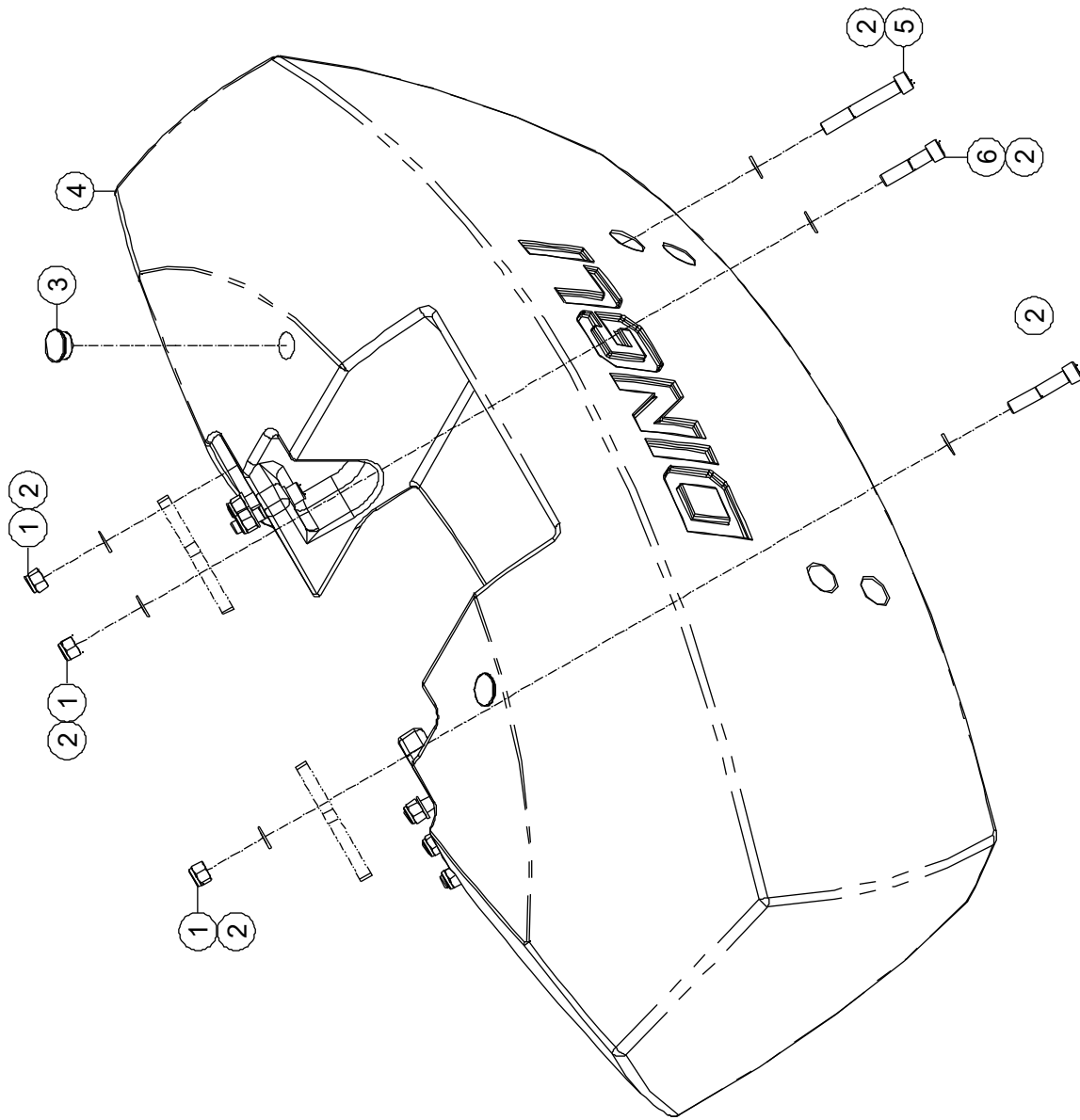
Item	Part Number	Name	Qty	Note
1	00011011	PVED, Electric Control Unit	1	
--	00011035	Seal Kit	1	
2	00010973	PVSKM, Enable Unit	1	
--	00011033	Seal Kit	1	
3	00011010	PVED, Electric Control Unit	1	
--	00011035	Seal Kit	1	
4	00010986	PVB, Work Unit	1	
--	00011033	Seal Kit	1	
5	00011009	PVED, Electric Control Unit	1	
--	00011035	Seal Kit	1	
6	00010985	PVB, Work Unit	1	
--	00011033	Seal Kit	1	
7	00011008	PVED, Electric Control Unit	1	
--	00011035	Seal Kit	1	
8	00010984	PVB, Work Unit	1	
--	00011033	Seal Kit	1	
9	00011007	PVED, Electric Control Unit	1	
--	00011035	Seal Kit	1	
10	00010983	PVB, Work Unit	1	
--	00011033	Seal Kit	1	
11	00011006	PVED, Electric Control Unit	1	
--	00011035	Seal Kit	1	
12	00010982	PVB, Work Unit	1	
--	00011033	Seal Kit	1	
13	00011023	PVSI, Cover	1	
14	00011030	PVAS, Bolt	1	
15	00011018	PVBS, Directional Cartridge	1	
16	00011019	PVBS, Directional Cartridge	1	
17	00011020	PVBS, Directional Cartridge	1	



**2-4 PVG Valve Block (Optional) (Continued)**

Item	Part Number	Name	Qty	Note
18	00011016	PVBS, Directional Cartridge	1	
19	00011017	PVBS, Directional Cartridge	1	
20	00011012	PVM, Manual Unit	6	
--	00011036	Seal Kit	6	
21	00011013	PVSKS, Cartridge, Enable	1	
22	00010972	PVP, Inlet Unit	1	
--	00011034	Seal Kit	1	

### 2-5 Counterweight Installations

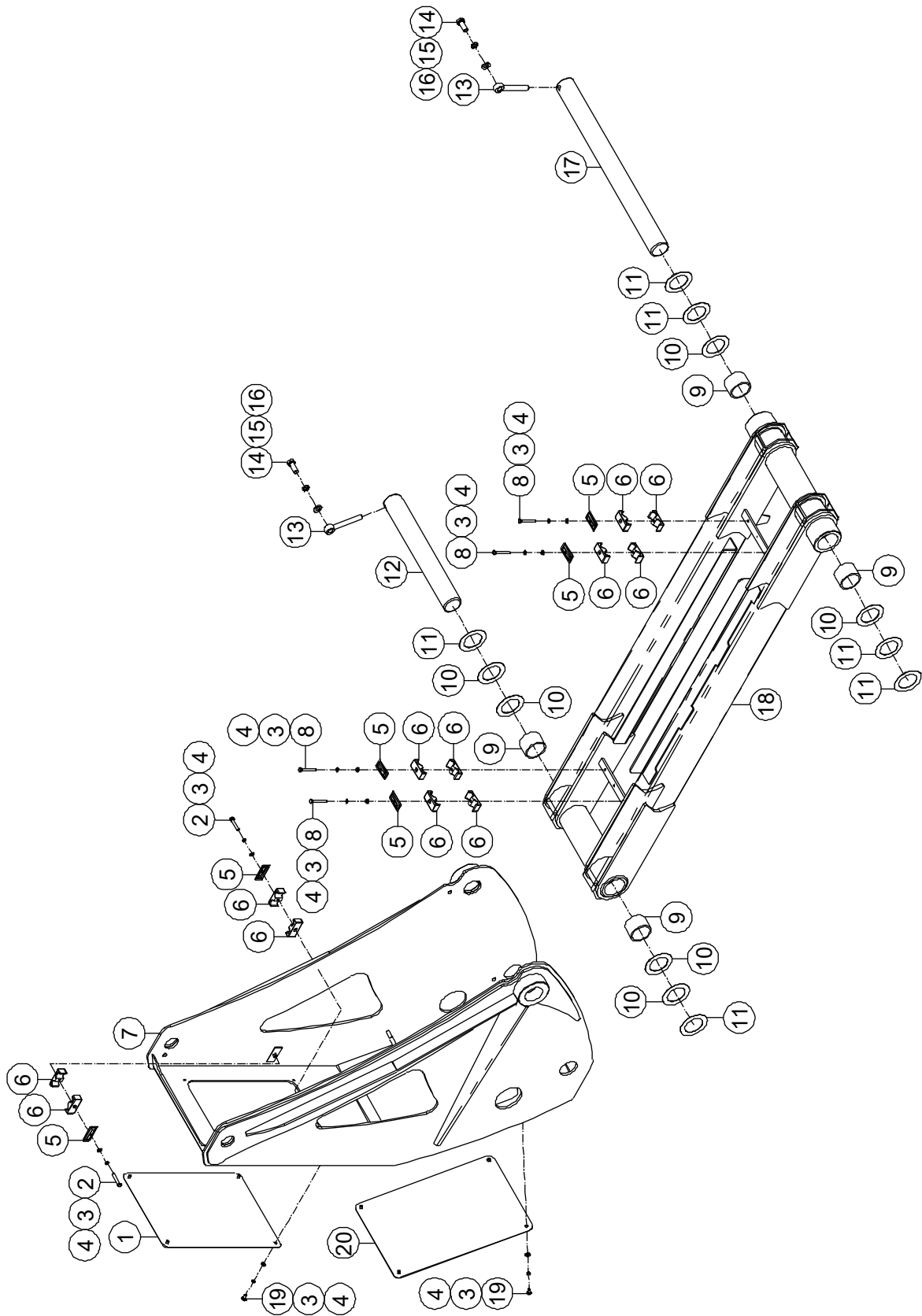


**2-5 Counterweight Installations**

Item	Part Number	Description	Qty.	Remark
1	00005262	Nut GB/T 6182 M24	8	
2	00001159	Flat Washer GB/T 97.1 24	16	
3	92000104	Plug	2	
4	92101519	Counterweight	1	
5	00003054	Screw GB/T 70 M24 × 160	4	
6	00003055	Screw GB/T 70 M24 × 100	2	
7	00003053	Screw GB/T 70 M24 × 120	2	

# Section 3 Boom

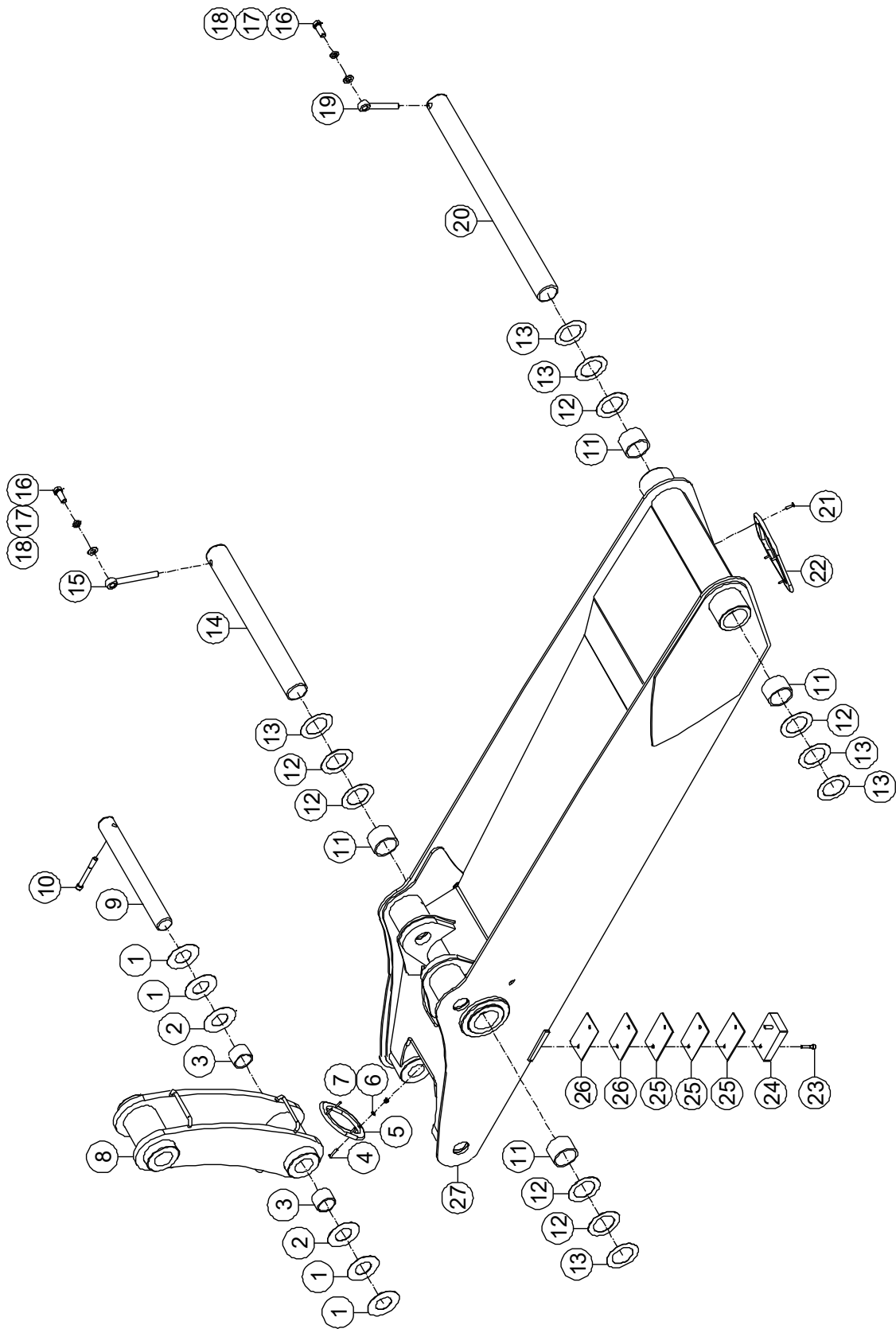
### 3-1 Linkage Installations 1



**3-1 Linkage Installations 1**

Item	Part Number	Description	Qty.	Remark
1	92058286	Cover	1	
2	00003607	Bolt GB/T 5783 M8 × 50	2	
3	00000609	Spring Washer GB/T 93 8	14	
4	00000608	Flat Washer GB/T 97.1 8	14	
5	92013750	Plate	6	
6	92007163	Clamp	12	
7	92058189	Linkage	1	
8	00001851	Bolt GB/T 5783 M8 × 60	4	
9	92048652	8813-657550 Sleeve Bearing	4	
10	92048684	Shim	6	
11	92048687	Shim	6	
12	92058271	Pin, Pivot	1	
13	00000223	8902-16120 Pin, Lock	2	
14	00001161	Bolt GB/T 5783 M16 × 40	2	
15	00001035	Spring Washer GB/T 93 16	2	
16	00000997	Flat Washer GB/T 97.1 16	2	
17	92058293	Pin, Pivot	1	
18	92058087	Linkage	1	
19	00001063	Bolt GB/T 5783 M8 × 16	8	
20	92048695	Cover	1	

### 3-2 Linkage Installations 2

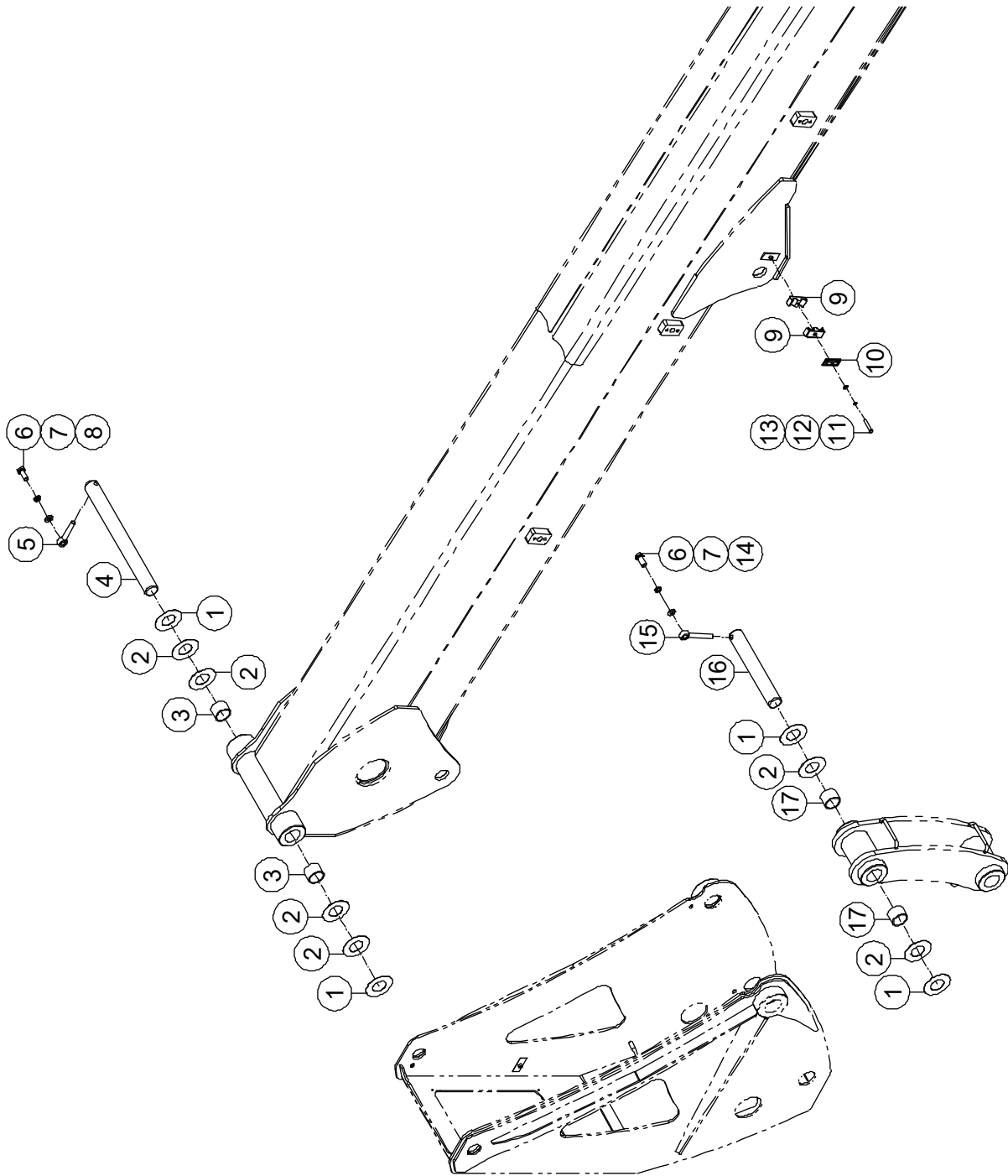


**3-2 Linkage Installations 2**

Item	Part Number	Description	Qty.	Remark
1	92058260	Shim	4	
2	92058261	Shim	2	
3	92058288	8813-505840 Sleeve Bearing	2	
4	00000833	Screw GB/T 70.3 M6×30	4	
5	92000202	Line Guard	1	
6	00000620	Flat Washer GB/T 97.1 6	4	
7	00001033	Nut GB/T 6182 M6	4	
8	92058203	Linkage	1	
9	92058277	Pin, Pivot	1	
10	00003051	Screw GB/T 70 M12 × 110	1	
11	92048652	8813-657550 Sleeve Bearing	4	
12	92048684	Shim	6	
13	92048687	Shim	6	
14	92058275	Pin, Pivot	1	
15	00000224	8902-16150 Pin, Lock	1	
16	00001161	Bolt GB/T 5783 M16 × 40	2	
17	00001035	Spring Washer GB/T 93 16	2	
18	00000997	Flat Washer GB/T 97.1 16	2	
19	00000223	8902-16120 Pin, Lock	1	
20	92058293	Pin, Pivot	1	
21	00000832	Screw GB/T 70.3 M6×25	4	
22	92100836	Line Guard	1	
23	00000744	Screw GB/T 70 M8 × 40	4	
24	92029938	Spacer	2	
25	92058266	Shim	6	
26	92058267	Shim	4	
27	92058120	Linkage	1	



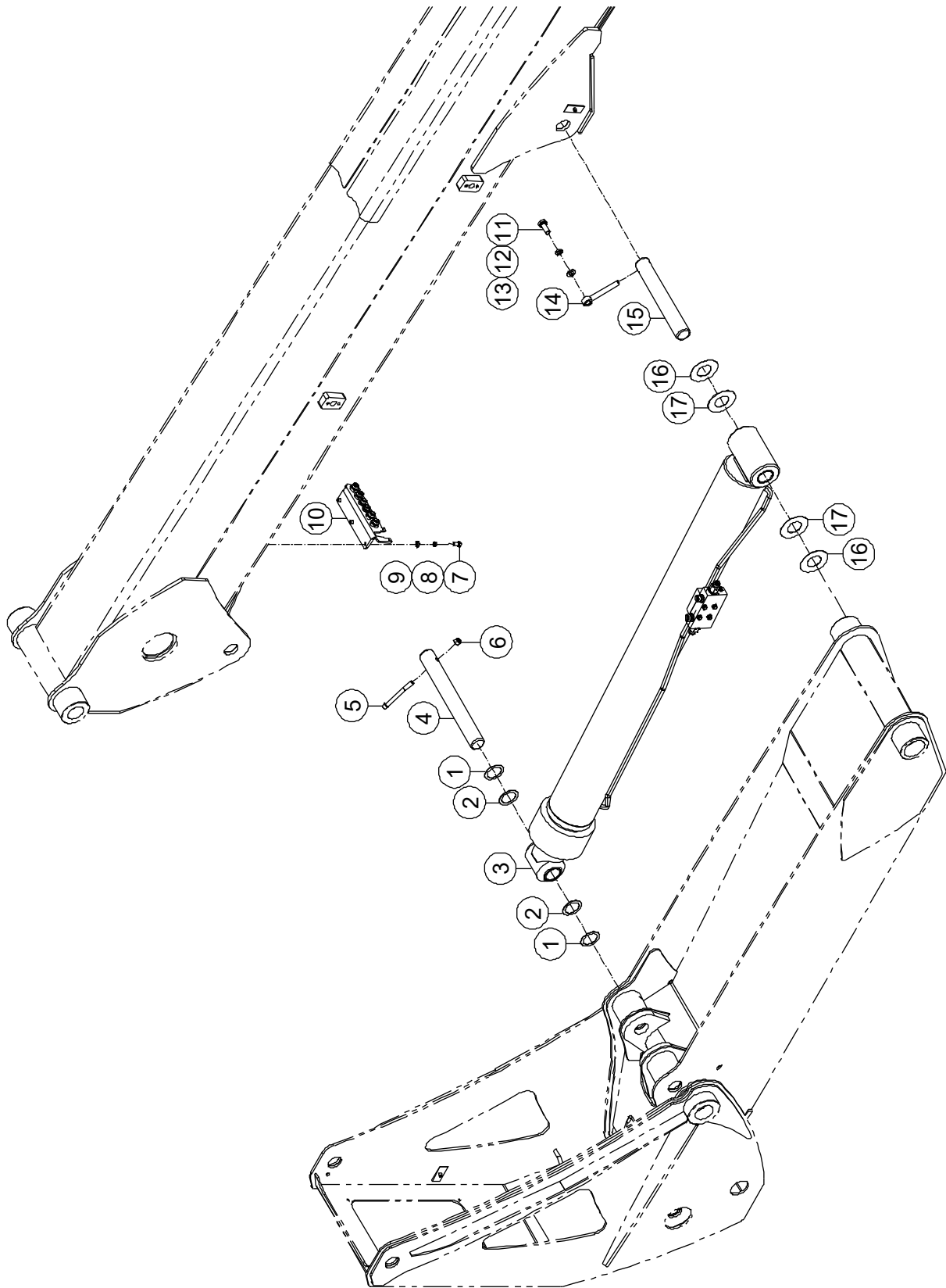
### 3-3 Linkage and Boom Installations



**3-3 Linkage and Boom Installations**

Item	Part Number	Description	Qty.	Remark
1	92058261	Shim	4	
2	92058260	Shim	6	
3	92058288	8813-505840 Sleeve Bearing	2	
4	92058269	Pin, Pivot	1	
5	00000222	8902-16095 Pin, Lock	1	
6	00001161	Bolt GB/T 5783 M16 × 40	2	
7	00001035	Spring Washer GB/T 93 16	2	
8	00000997	Flat Washer GB/T 97.1 16	1	
9	92007163	Clamp	2	
10	92013750	Plate	1	
11	00003607	Bolt GB/T 5783 M8 × 50	1	
12	00000609	Spring Washer GB/T 93 8	1	
13	00000608	Flat Washer GB/T 97.1 8	1	
14	00001043	Flat Washer GB/T 97.1 14	1	
15	00000223	8902-16120 Pin, Lock	1	
16	92058259	Pin, Pivot	1	
17	92058288	8813-505840 Sleeve Bearing	2	

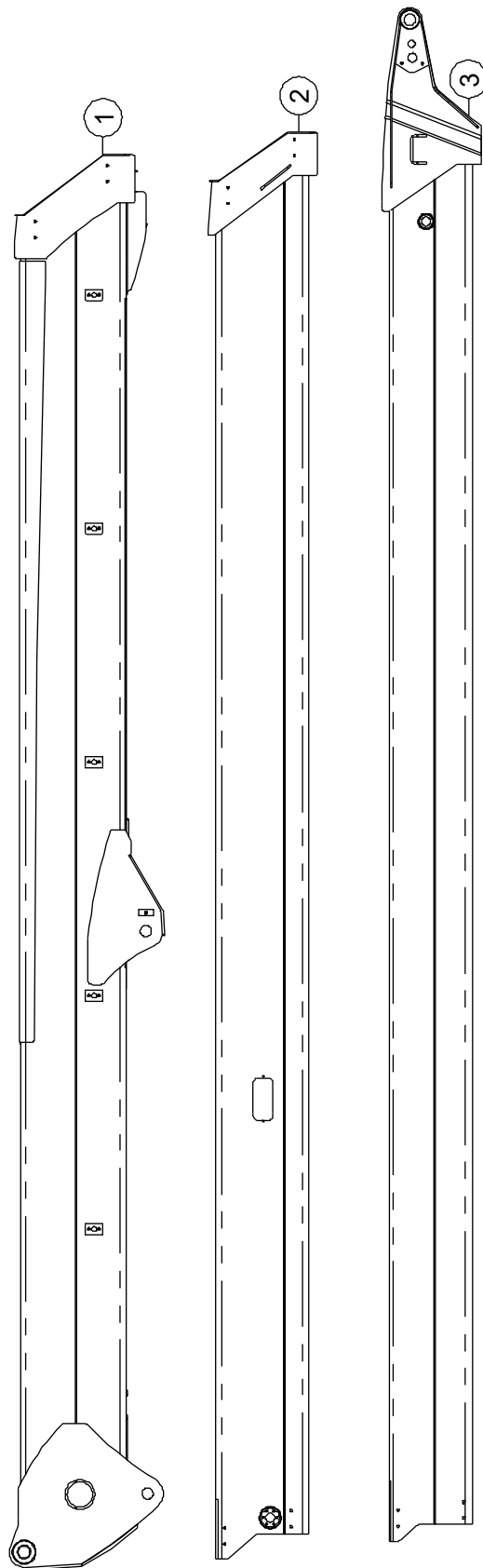
### 3-4 Lifting Cylinder Assembly and Boom Installations



**3-4 Lifting Cylinder Assembly and Boom Installations**

Item	Part Number	Description	Qty.	Remark
1	92058398	Shim	2	
2	92058397	Shim	2	
3		Lifting Cylinder Assembly ( <i>Refer to 5-3</i> )	1	
4	92058273	Pin, Pivot	1	
5	00002548	Screw GB/T 70 M12 × 120	1	
6	00001249	Nut GB/T 6182 M12	1	
7	00000674	Bolt GB/T 5783 M10 × 20	3	
8	00000679	Spring Washer GB/T 93 10	3	
9	00000615	Flat Washer GB/T 97.1 10	3	
10	92000085	Support	1	
11	00001161	Bolt GB/T 5783 M16 × 40	1	
12	00001035	Spring Washer GB/T 93 16	1	
13	00000997	Flat Washer GB/T 97.1 16	1	
14	00000223	8902-16120 Pin, Lock	1	
15	92058259	Pin, Pivot	1	
16	92058261	Shim	2	
17	92058260	Shim	2	

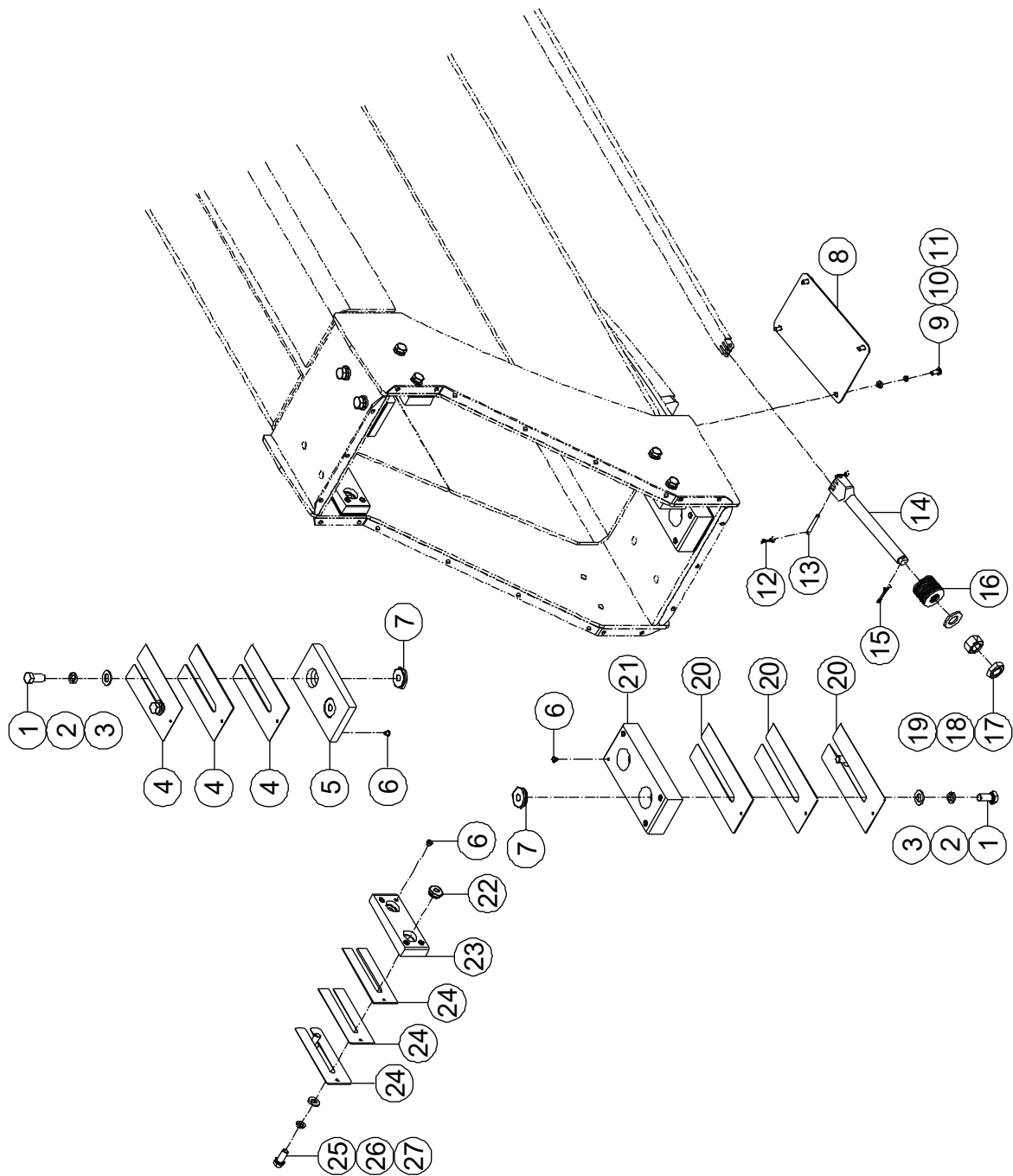
### 3-5 Telescopic Boom



**3-5 Telescopic Boom**

Item	Part Number	Description	Qty.	Remark
1	92058060	Base Boom	1	
2	92058122	Second Boom	1	
3	92058140	Third Boom	1	BT22RT
	92101304	Third Boom	1	BT22BRT

### 3-6 Base Boom Sliding Block Installations

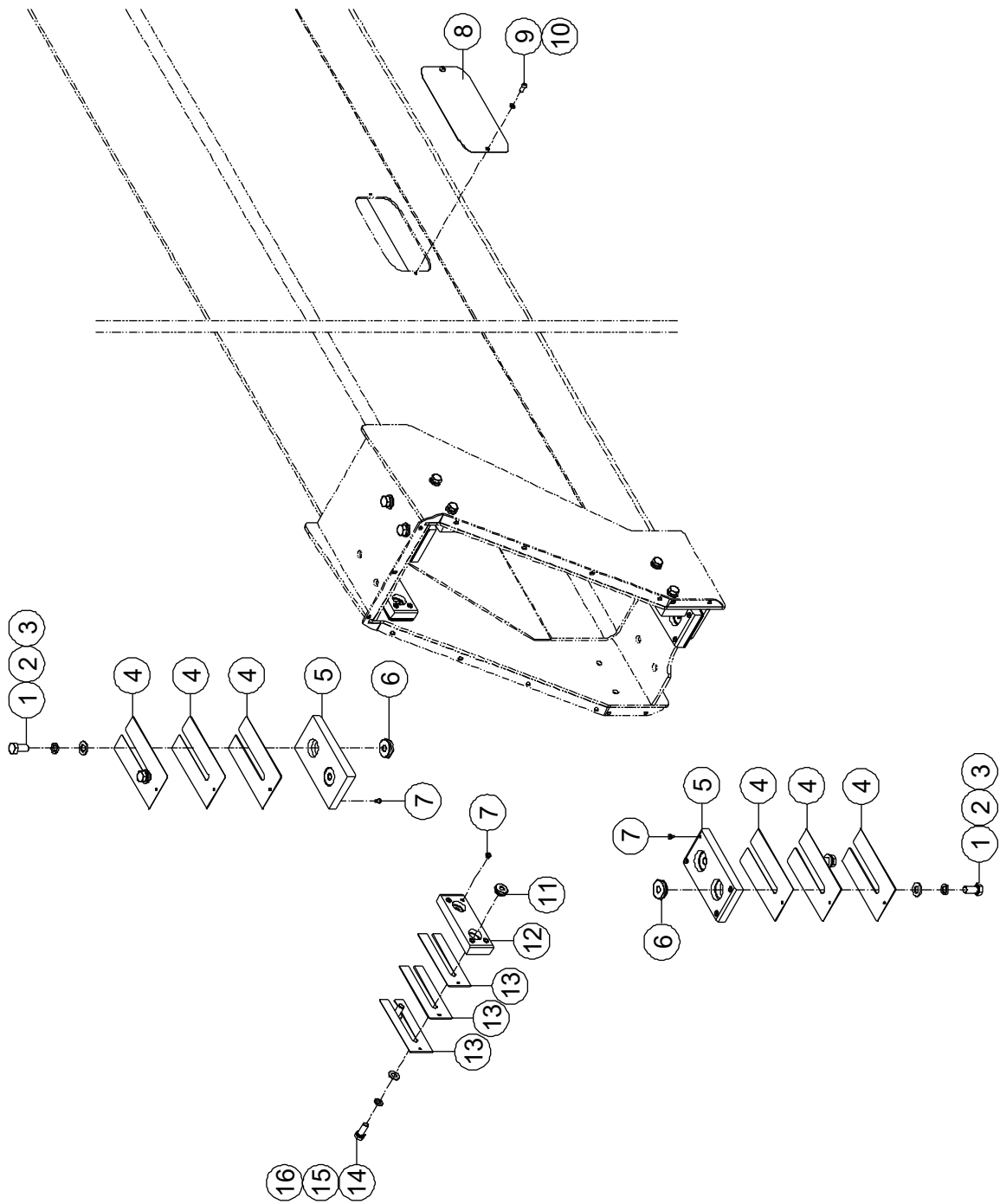


**3-6 Base Boom Sliding Block Installations**

Item	Part Number	Description	Qty.	Remark
1	00006121	Bolt GB/T 5786 M12×1.25 × 25	8	
2	00000815	Spring Washer GB/T 93 12	8	
3	00000814	Flat Washer GB/T 97.1 12	8	
4	92000126	Shim	6	
5	92000125	Sliding Block	2	
6	92009458	Plug	32	
7	92000169	Insert	8	
8	92029665	Cover	1	
9	00000818	Bolt GB/T 5783 M6 × 16	4	
10	00000621	Spring Washer GB/T 93 6	4	
11	00000620	Flat Washer GB/T 97.1 6	4	
12	00005753	Cotter Pin GB/T 91 2,5 × 20	4	
13	92029601	Pin	2	
14	92048417	Pull Chain	2	
15	00002087	Cotter Pin GB/T 91 3.2 × 26	2	
16	92029605	Disc Spring	2	
17	00002588	Nut GB/T 6172.1 M18	2	
18	00002587	Nut GB/T 6170 M18	2	
19	00002589	Flat Washer GB/T 97.1 18	2	
20	92000111	Shim	6	
21	92000138	Sliding Block	2	
22	92000139	Insert	8	
23	92000141	Sliding Block	4	
24	92029615	Shim	12	
25	00000678	Bolt GB/T 5783 M10 × 25	8	
26	00000679	Spring Washer GB/T 93 10	8	
27	00000615	Flat Washer GB/T 97.1 10	8	



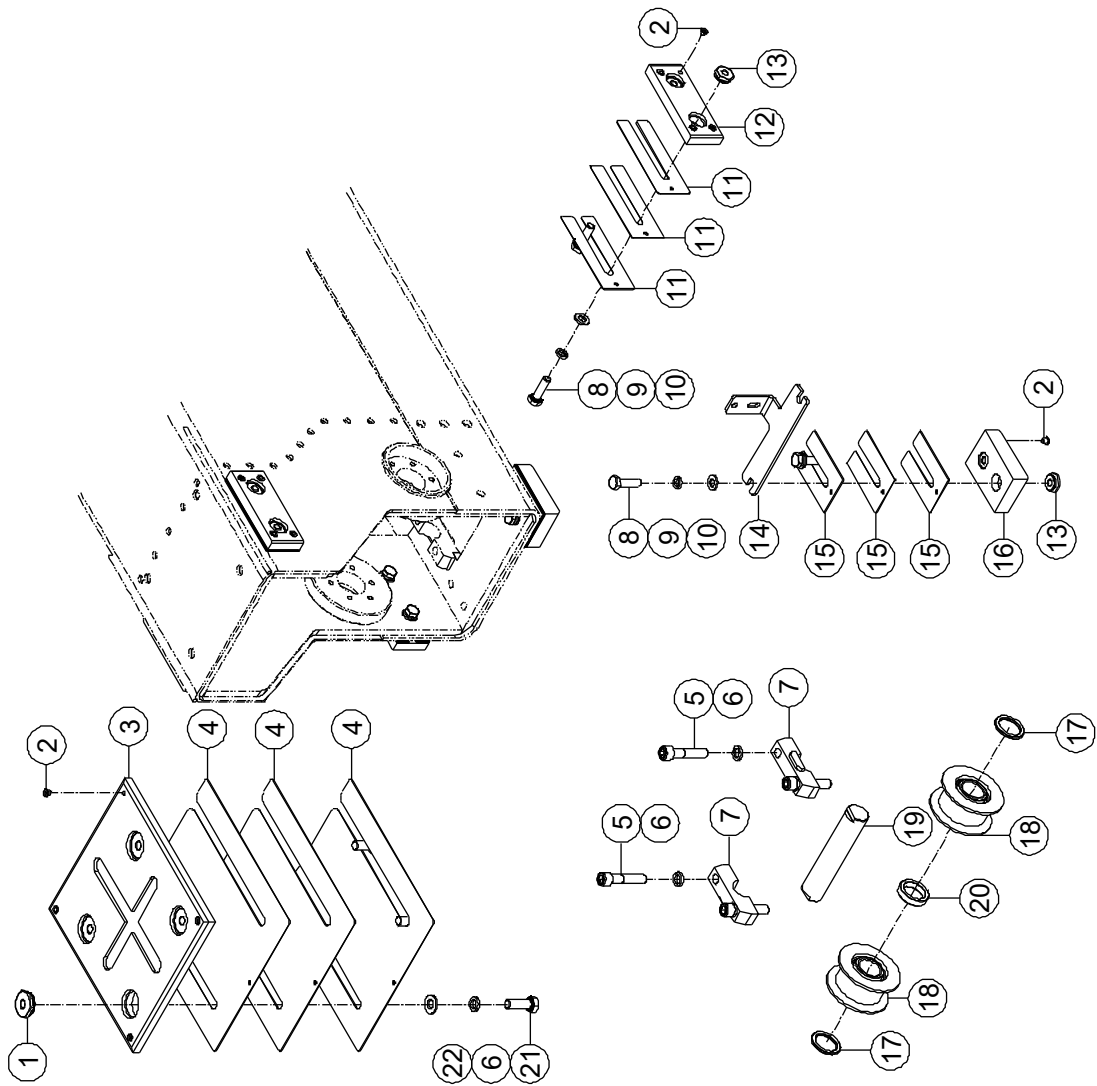
### 3-7 Second Boom Sliding Block Installations 1



**3-7 Second Boom Sliding Block Installations 1**

Item	Part Number	Description	Qty.	Remark
1	00006121	Bolt GB/T 5786 M12×1.25 × 25	8	
2	00000815	Spring Washer GB/T 93 12	8	
3	00000814	Flat Washer GB/T 97.1 12	8	
4	92000126	Shim	12	
5	92000125	Sliding Block	4	
6	92000169	Insert	8	
7	92009458	Plug	32	
8	92029667	Cover	1	
9	00001177	Screw GB/T 70.2 M6×12	2	
10	00000621	Spring Washer GB/T 93 6	2	
11	92000139	Insert	8	
12	92000141	Sliding Block	4	
13	92029615	Shim	12	
14	00000678	Bolt GB/T 5783 M10 × 25	8	
15	00000679	Spring Washer GB/T 93 10	8	
16	00000615	Flat Washer GB/T 97.1 10	8	

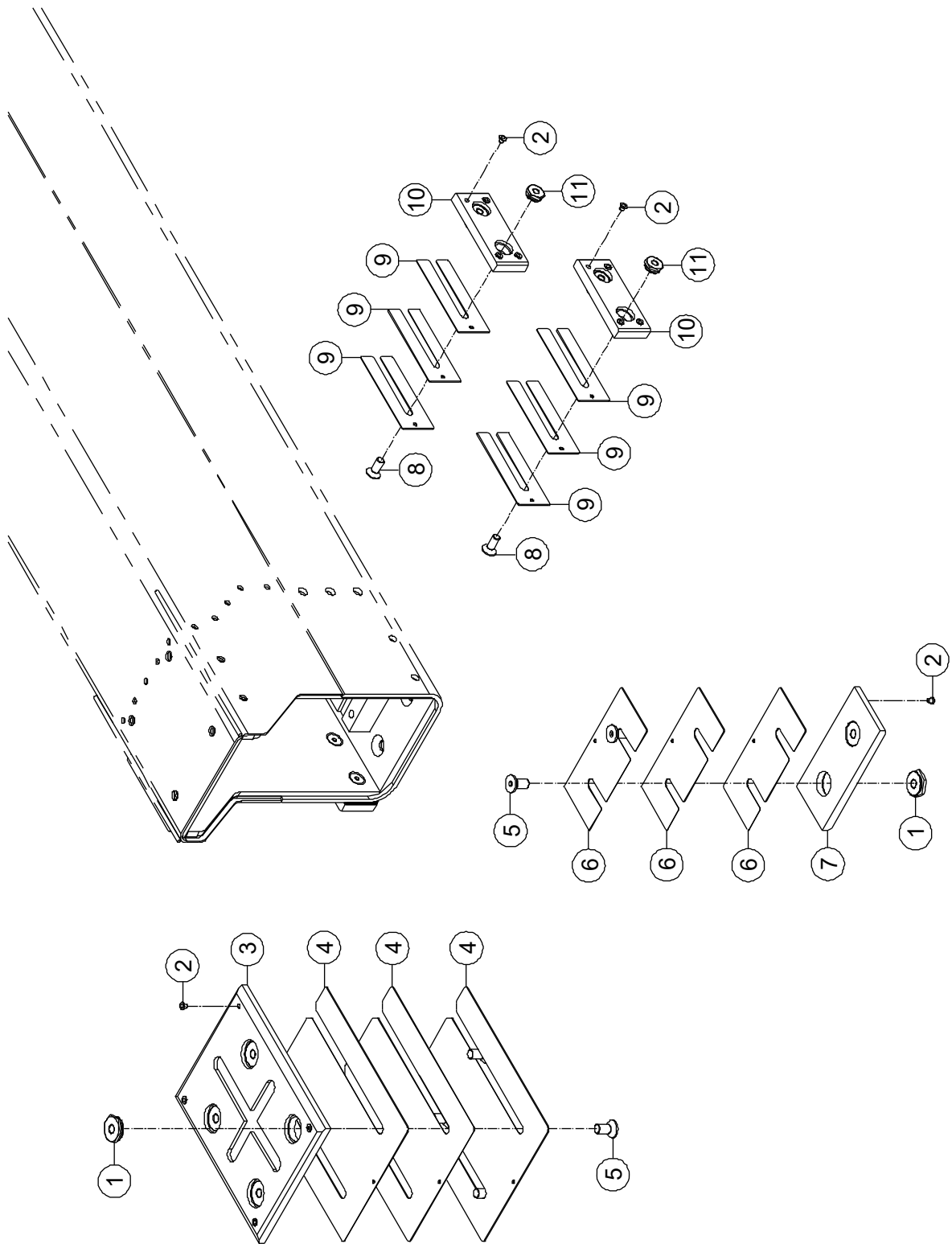
### 3-8 Second Boom Sliding Block Installations 2



**3-8 Second Boom Sliding Block Installations 2**

Item	Part Number	Description	Qty.	Remark
1	92000169	Insert	4	
2	92009458	Plug	28	
3	92000131	Sliding Block	1	
4	92000133	Shim	3	
5	00001852	Screw GB/T 70 M12 × 55	4	
6	00000815	Spring Washer GB/T 93 12	8	
7	92029570	Lock	2	
8	00000684	Bolt GB/T 5783 M10 × 35	12	
9	00000679	Spring Washer GB/T 93 10	12	
10	00000615	Flat Washer GB/T 97.1 10	12	
11	92029615	Shim	12	
12	92000143	Sliding Block	4	
13	92000139	Insert	12	
14	92100181	Plate	1	
15	92000119	Shim	6	
16	92000115	Sliding Block	2	
17	92100219	Spacer	2	
18	92100221	Pulley Bearing	2	
19	92029583	Pin, Pivot	1	
20	92100220	Spacer	1	
21	00006123	Bolt GB/T 5786 M12×1.25 × 35	4	
22	00000814	Flat Washer GB/T 97.1 12	4	

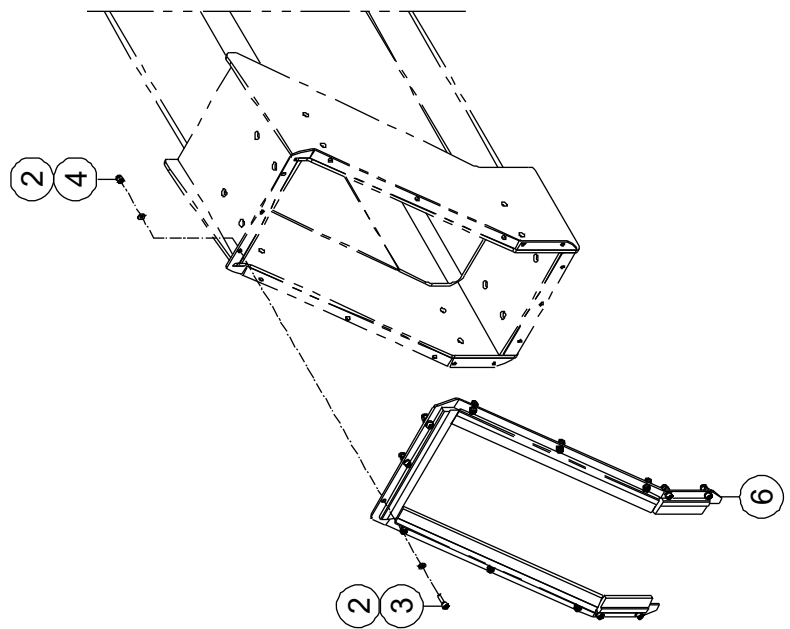
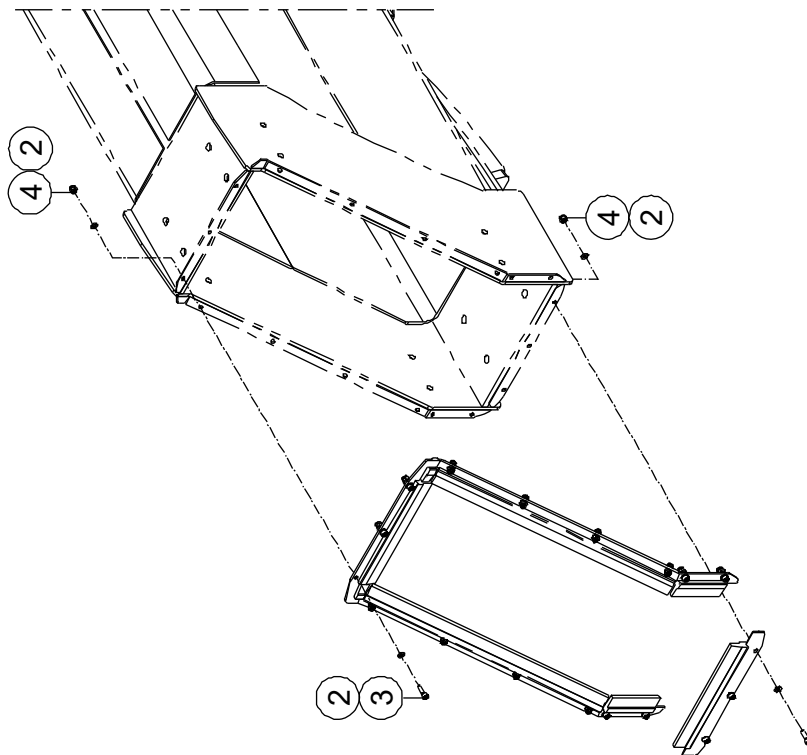
### 3-9 Third Boom Sliding Block Installations



**3-9 Third Boom Sliding Block Installations**

Item	Part Number	Description	Qty.	Remark
1	92000169	Insert	6	
2	92009458	Plug	24	
3	92000132	Sliding Block	1	
4	92000134	Shim	3	
5	00007487	Screw M12×1.25×25	6	
6	92000120	Shim	3	
7	92000116	Sliding Block	1	
8	00000846	Screw GB/T 70.3 M10×25	8	
9	92029615	Shim	12	
10	92000143	Sliding Block	4	
11	92000139	Insert	8	

### 3-10 Boom Shield Installations

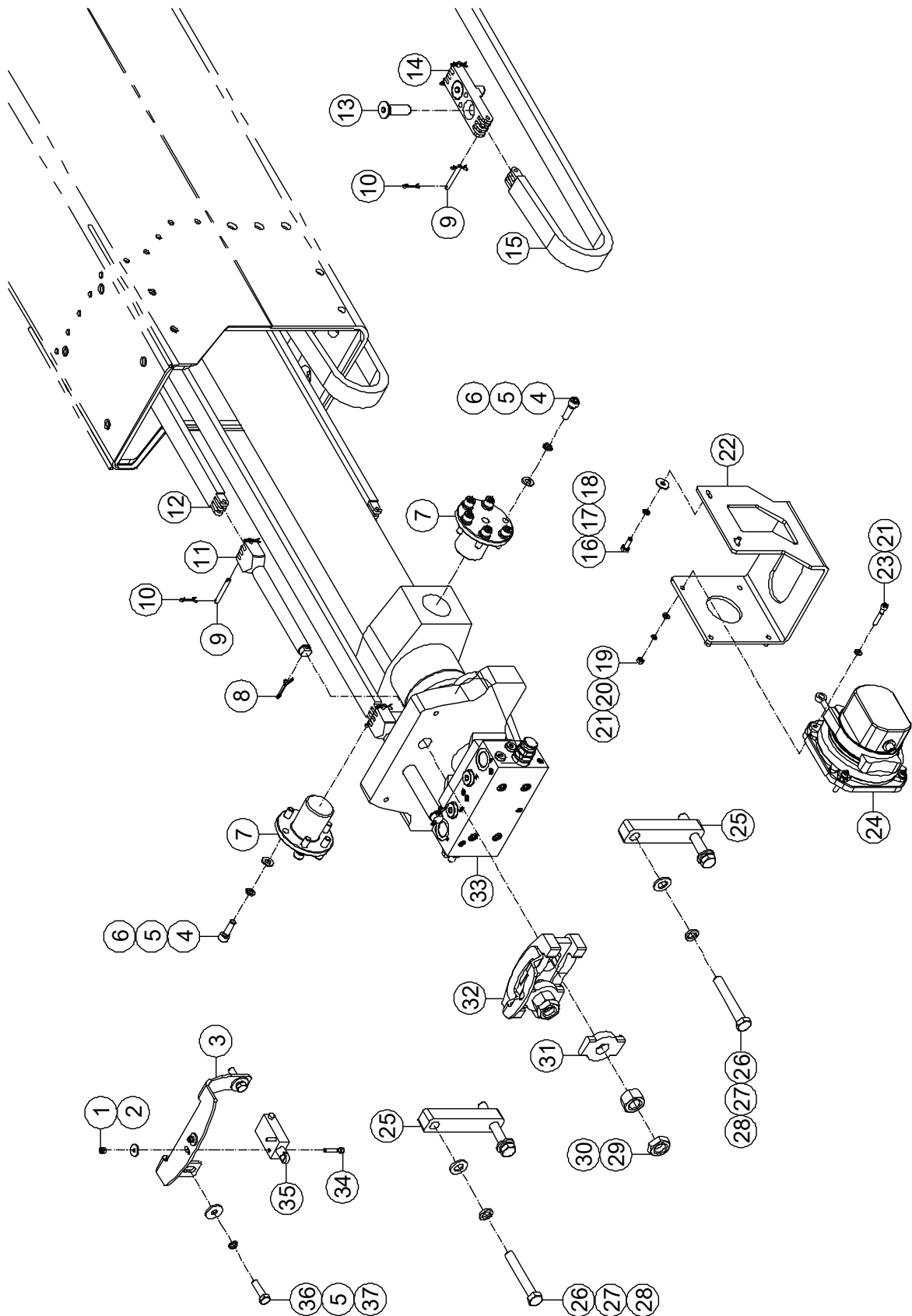


**3-10 Boom Shield Installations**

Item	Part Number	Description	Qty.	Remark
1	92100842	Guard	1	
2	00000620	Flat Washer GB/T 97.1 6	62	
3	00000774	Screw GB/T 70 M6 × 20	31	
4	00001033	Nut GB/T 6182 M6	31	
5	92100133	Guard	1	
6	92100844	Guard	1	



### 3-11 Telescopic System Installations



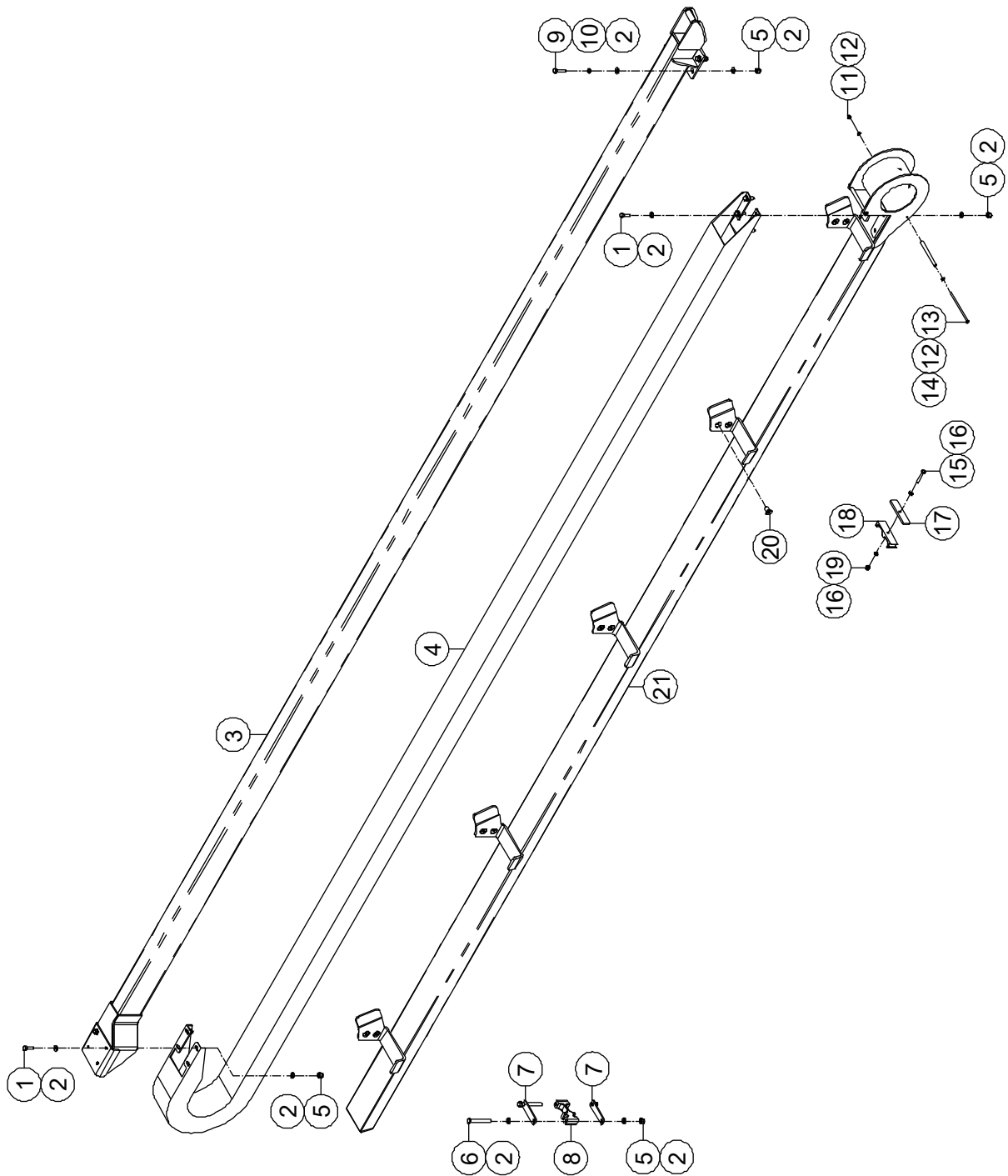
**3-11 Telescopic System Installations**

Item	Part Number	Description	Qty.	Remark
1	00001236	Nut GB/T 889.1 M4	2	
2	92012212	Washer	2	
3	92052611	Support	1	
4	00002555	Screw GB/T 70 M8 × 25	12	
5	00000609	Spring Washer GB/T 93 8	14	
6	00000608	Flat Washer GB/T 97.1 8	12	
7	92029608	Pin	2	
8	00002087	Cotter Pin GB/T 91 3.2 × 26	2	
9	92029601	Pin	6	
10	00005753	Cotter Pin GB/T 91 2,5 × 20	12	
11	92048417	Pull Chain	2	
12	92058190	Chain	2	
13	00000857	Screw GB/T 70.3 M12×40	4	
14	92048429	Pull Chain	2	
15	92058191	Chain	2	
16	00000818	Bolt GB/T 5783 M6 × 16	2	
17	00000621	Spring Washer GB/T 93 6	2	
18	00002583	Flat Washer GB/T 96.1 6	2	
19	00000688	Nut GB/T 6170 M5	4	
20	00000606	Spring Washer GB/T 93 5	4	
21	00000605	Flat Washer GB/T 97.1 5	8	
22	92100107	Support	1	
23	00001253	Screw GB/T 70 M5 × 30	4	
24	00008372	Length Angle Sensor	1	
25	92048326	Block	2	
26	00002527	Bolt GB/T 5782 M12 × 80	4	
27	00000815	Spring Washer GB/T 93 12	4	
28	00000814	Flat Washer GB/T 97.1 12	4	
29	00002588	Nut GB/T 6172.1 M18	2	

**3-11 Telescopic System Installations (Continued)**

Item	Part Number	Description	Qty.	Remark
30	00002587	Nut GB/T 6170 M18	2	
31	92052602	Spacer	2	
32	92052609	Support	1	
33		Telescopic Cylinder Assembly ( <i>Refer to 5-4</i> )	1	
34	00002228	Screw GB/T 70 M4 × 25	2	
35	00003167	Limit Switch	1	
36	00000995	Bolt GB/T 5783 M8 × 30	2	
37	00002000	Flat Washer GB/T 96.1 8	2	

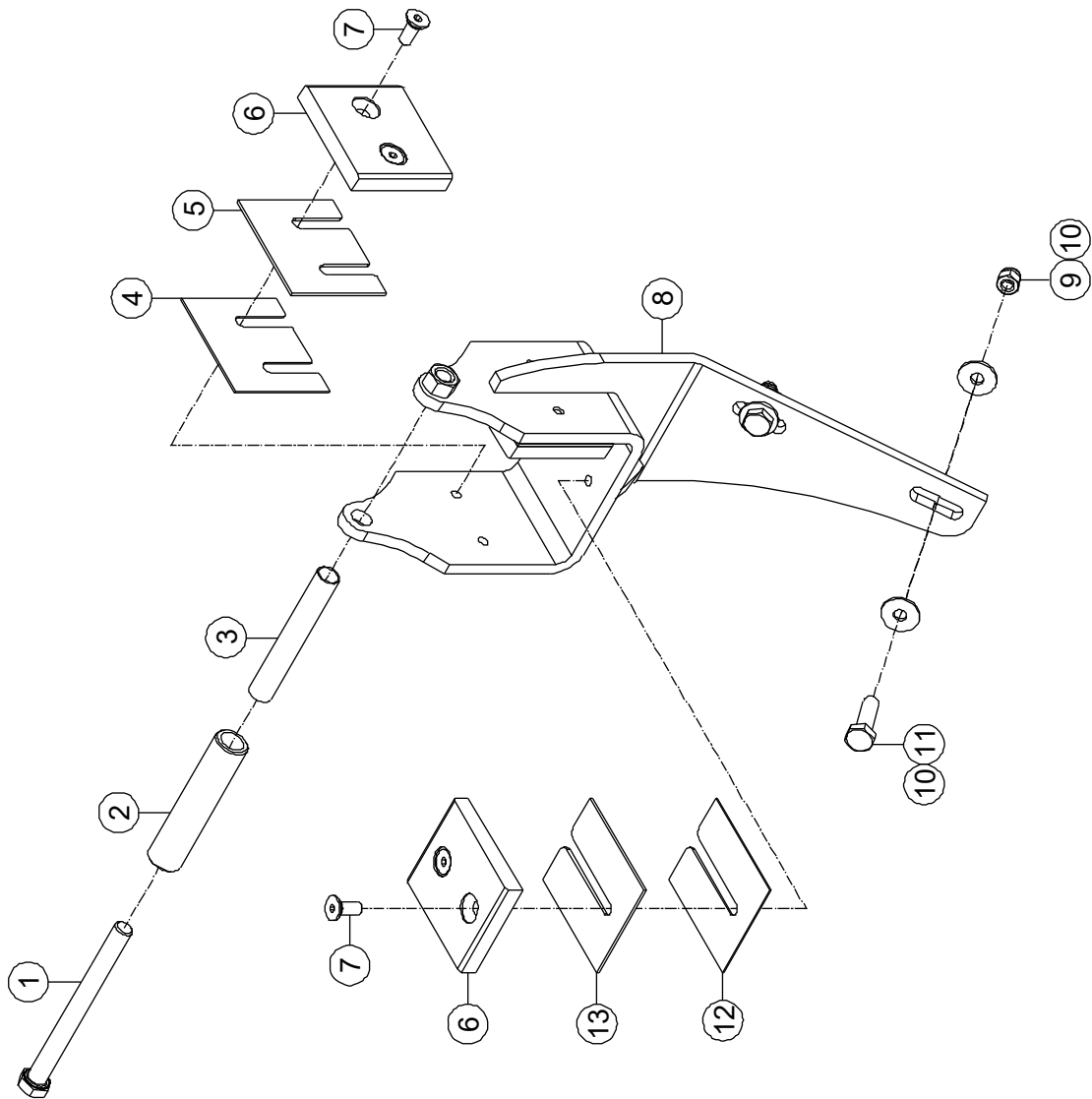
3-12 Carrier System Installations 1



**3-12 Carrier System Installations 1**

Item	Part Number	Description	Qty.	Remark
1	00000683	Bolt GB/T 5783 M10 × 30	10	
2	00000615	Flat Washer GB/T 97.1 10	20	
3	92058197	Support	1	
4	92058193	Chain	1	
5	00000623	Nut GB/T 6182 M10	8	
6	00002467	Bolt GB/T 5783 M10 × 90	2	
7	92100680	Plate	2	
8	92100678	Clamp	1	
9	00001041	Bolt GB/T 5783 M10 × 40	4	
10	00000679	Spring Washer GB/T 93 10	4	
11	00001033	Nut GB/T 6182 M6	2	
12	00000620	Flat Washer GB/T 97.1 6	4	
13	00006414	Bolt GB/T 5782 M6 × 145	2	
14	92048339	Roller	2	
15	00003607	Bolt GB/T 5783 M8 × 50	1	
16	00000608	Flat Washer GB/T 97.1 8	2	
17	92100679	Plate	1	
18	92100693	Clamp	1	
19	00001163	Nut GB/T 6182 M8	1	
20	00000854	Screw GB/T 70.3 M12×25	10	
21	92058194	Support	1	

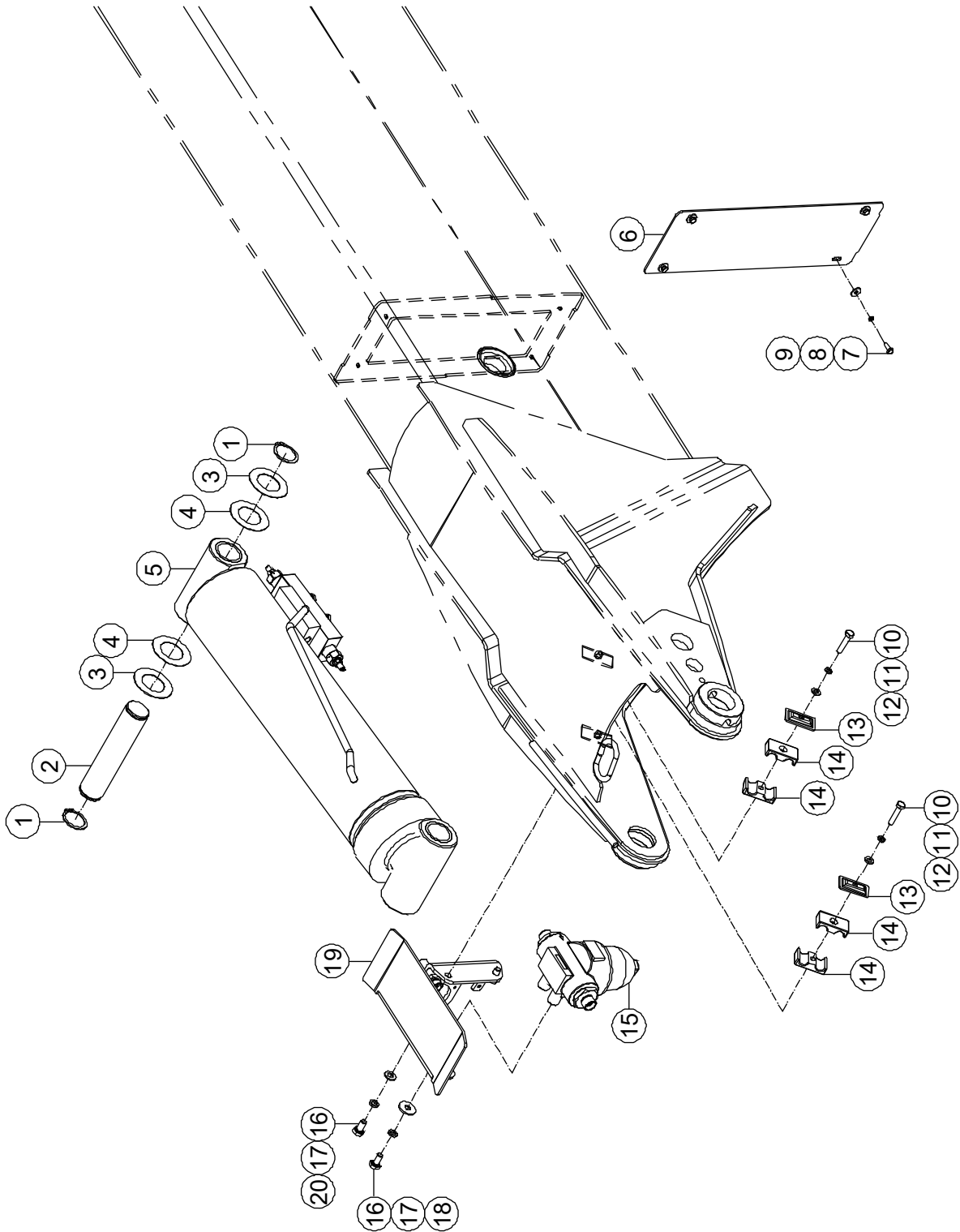
### 3-13 Carrier System Installations 2



**3-13 Carrier System Installations 2**

Item	Part Number	Description	Qty.	Remark
1	00002012	Bolt GB/T 5782 M12 × 130	1	
2	92048398	Roller	1	
3	92048400	Roller	1	
4	92048401	Shim	2	
5	92048402	Shim	2	
6	92048393	Sliding Block	3	
7	00000765	Screw GB/T 70.3 M8×20	6	
8	92048403	Support	1	
9	00001163	Nut GB/T 6182 M8	2	
10	00002000	Flat Washer GB/T 96.1 8	4	
11	00000684	Bolt GB/T 5783 M10 × 35	2	
12	92048396	Shim	1	
13	92048397	Shim	1	

### 3-14 JIB Leveling Cylinder Assembly Installations (BT22RT)

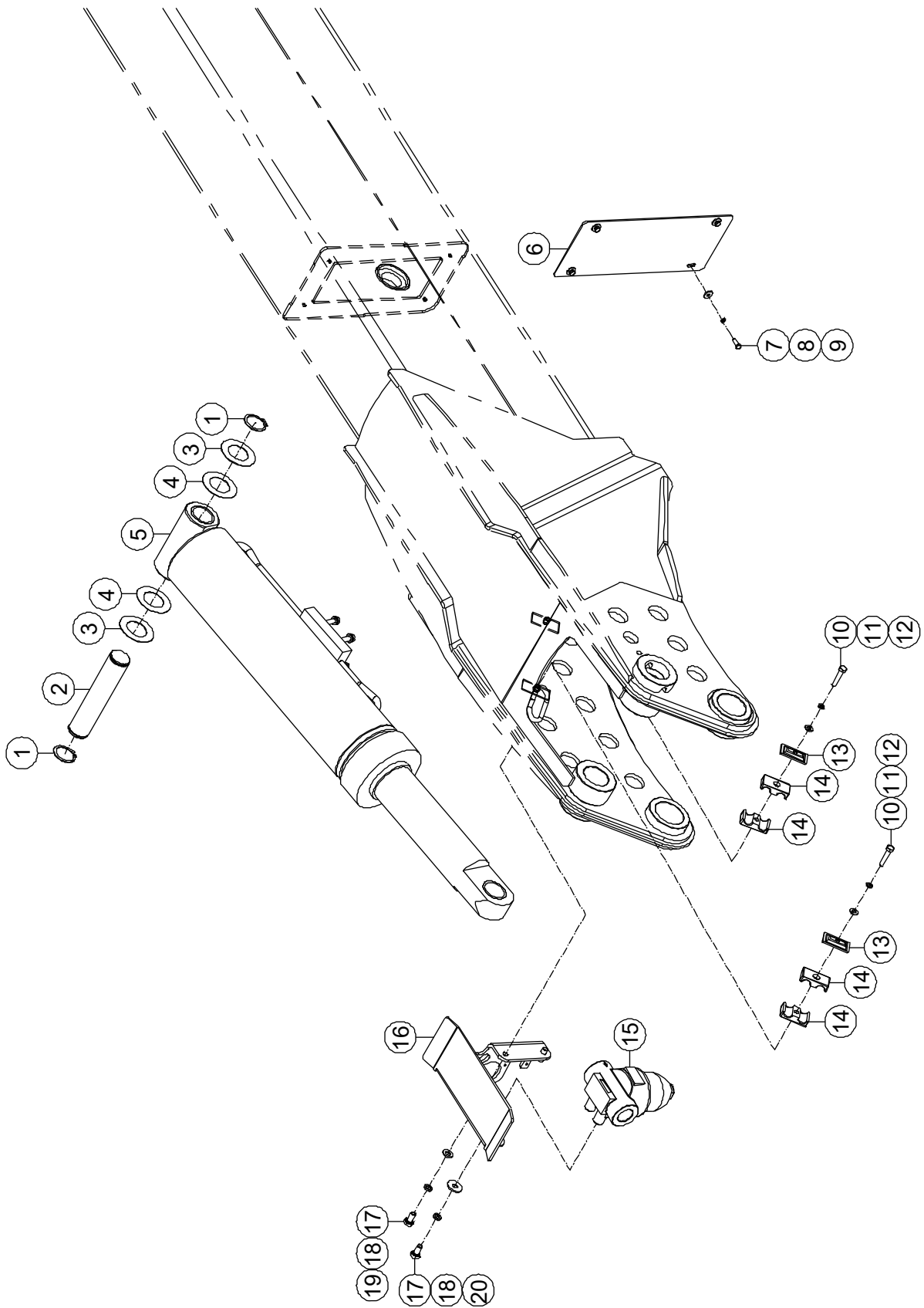




**3-14 JIB Leveling Cylinder Assembly Installations (BT22RT)**

Item	Part Number	Description	Qty.	Remark
1	00000944	Washer GB/T 894.1-40	2	
2	92029651	Pin, Pivot	1	
3	92029978	Shim	2	
4	92029979	Shim	2	
5		JIB Leveling Cylinder Assembly ( <i>Refer to 5-5</i> )	1	
6	92100985	Cover	1	
7	00000818	Bolt GB/T 5783 M6 × 16	4	
8	00000621	Spring Washer GB/T 93 6	4	
9	00002583	Flat Washer GB/T 96.1 6	4	
10	00002604	Bolt GB/T 5783 M8 × 40	2	
11	00000609	Spring Washer GB/T 93 8	2	
12	00000608	Flat Washer GB/T 97.1 8	2	
13	90001243	Plate	2	
14	90001242	Clamp	4	
15	00002744	Pressure Filter	1	
16	00000674	Bolt GB/T 5783 M10 × 20	4	
17	00000679	Spring Washer GB/T 93 10	4	
18	00001028	Flat Washer GB/T 96.1 10	2	
19	92100167	Support	1	
20	00000615	Flat Washer GB/T 97.1 10	2	

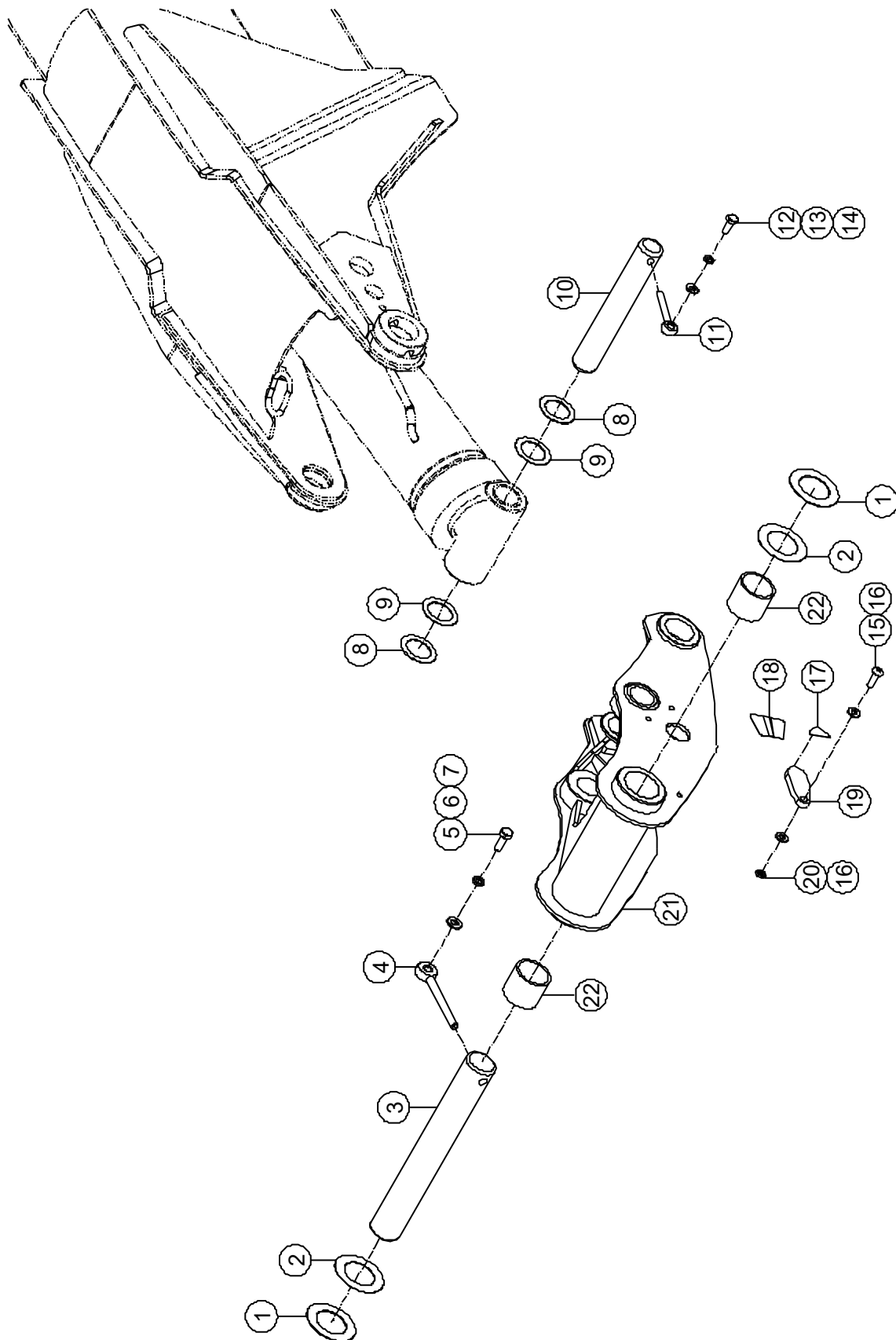
### 3-15 JIB Leveling Cylinder Assembly Installations (BT22BRT)



**3-15 JIB Leveling Cylinder Assembly Installations (BT22BRT)**

Item	Part Number	Description	Qty.	Remark
1	00000944	Washer GB/T 894.1-40	2	
2	92029651	Pin, Pivot	1	
3	92029978	Shim	2	
4	92029979	Shim	2	
5		JIB Leveling Cylinder Assembly ( <i>Refer to 5-6</i> )	1	
6	92100985	Cover	1	
7	00000818	Bolt GB/T 5783 M6 × 16	4	
8	00000621	Spring Washer GB/T 93 6	4	
9	00002583	Flat Washer GB/T 96.1 6	4	
10	00002604	Bolt GB/T 5783 M8 × 40	2	
11	00000609	Spring Washer GB/T 93 8	2	
12	00000608	Flat Washer GB/T 97.1 8	2	
13	90001243	Plate	2	
14	90001242	Clamp	4	
15	00002744	Pressure Filter	1	
16	92100167	Support	1	
17	00000674	Bolt GB/T 5783 M10 × 20	4	
18	00000679	Spring Washer GB/T 93 10	4	
19	00000615	Flat Washer GB/T 97.1 10	2	
20	00001028	Flat Washer GB/T 96.1 10	2	

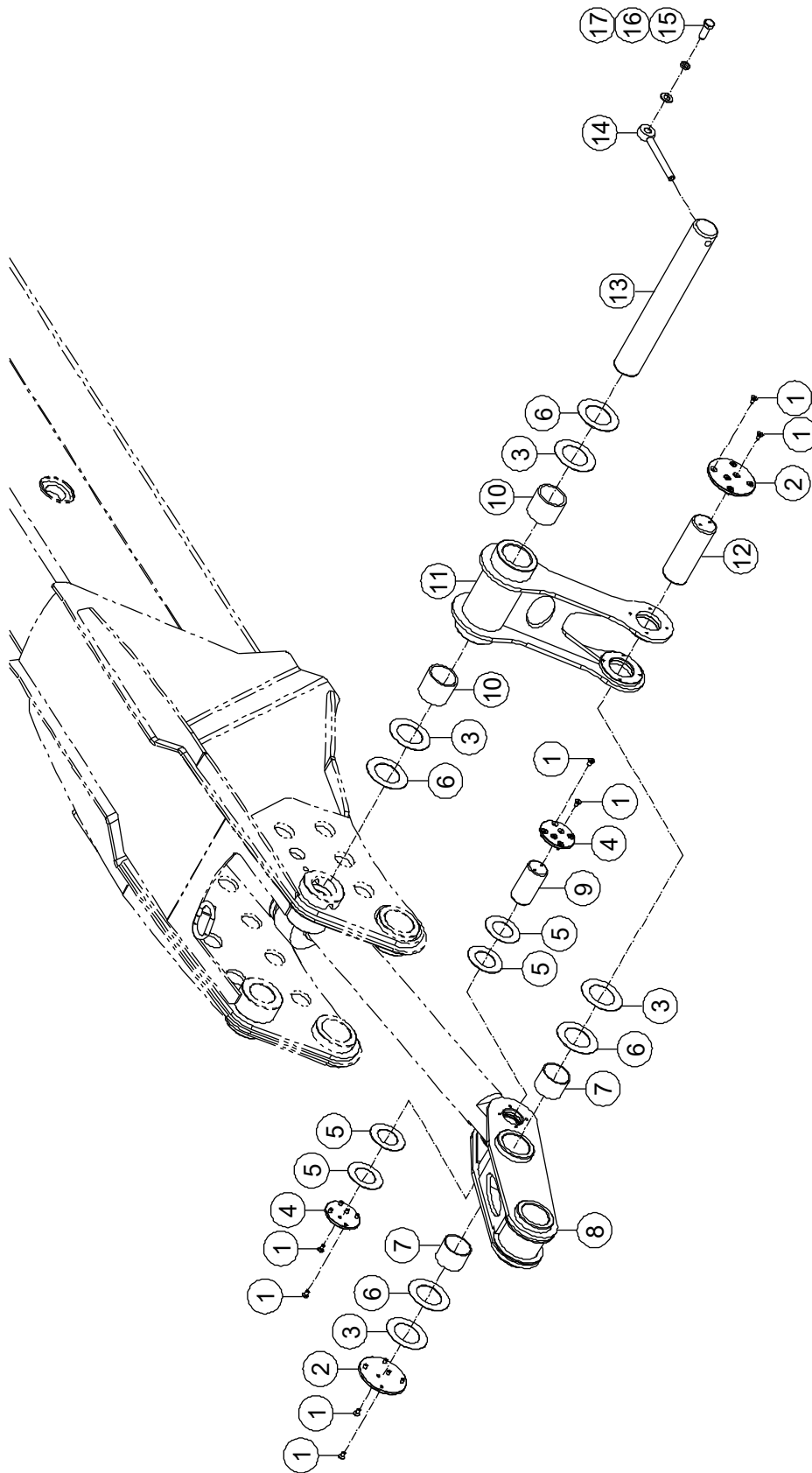
3-16 Telescopic Boom and Articulating JIB Installations (BT22RT)



**3-16 Telescopic Boom and Articulating JIB Installations (BT22RT)**

Item	Part Number	Description	Qty.	Remark
1	92029593	Shim	2	
2	92029594	Shim	2	
3	92048277	Pin, Pivot	1	
4	00002465	8902-12120 Pin, Lock	1	
5	00002059	Bolt GB/T 5783 M12 × 30	1	
6	00000815	Spring Washer GB/T 93 12	1	
7	00000814	Flat Washer GB/T 97.1 12	1	
8	92049266	Shim	2	
9	92049267	Shim	2	
10	92049264	Pin, Pivot	1	
11	00000220	8902-10080 Pin, Lock	1	
12	00000678	Bolt GB/T 5783 M10 × 25	1	
13	00000679	Spring Washer GB/T 93 10	1	
14	00000615	Flat Washer GB/T 97.1 10	1	
15	00002580	Screw GB/T 70.2 M10×30	1	
16	92001455	Washer	2	
17	92029982	Decal	1	
18	92032070	Decal	1	
19	92029981	Indicator	1	
20	00006418	Nut GB/T 6172.1 M8	1	
21	92100722	Junction	1	
22	92048520	8813-505850 Sleeve Bearing	2	

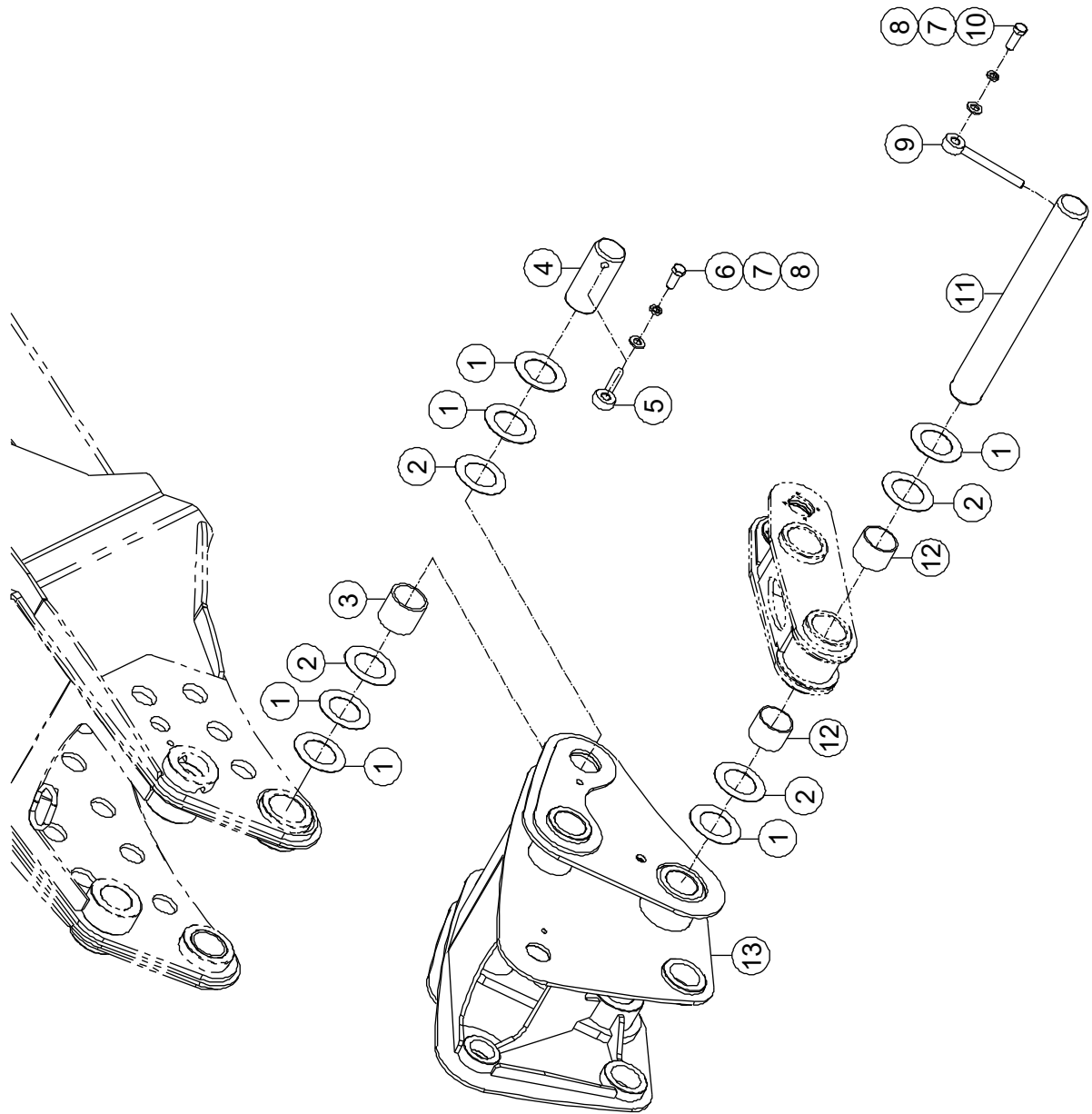
3-17 Telescopic Boom and Linkage Installations (BT22BRT)



**3-17 Telescopic Boom and Linkage Installations (BT22BRT)**

Item	Part Number	Description	Qty.	Remark
1	00000829	Screw GB/T 70.3 M6×12	24	
2	50000295	Cover	2	
3	92029594	Shim	4	
4	50007285	Cover	2	
5	92029978	Shim	4	
6	92029593	Shim	4	
7	00009277	8813-505540 Sleeve Bearing	2	
8	92101379	Linkage	1	
9	00009273	893C-40080 Pin, Pivot	1	
10	92048520	8813-505850 Sleeve Bearing	2	
11	92101333	Linkage	1	
12	00009274	893C-50137 Pin, Pivot	1	
13	92048277	Pin, Pivot	1	
14	00002465	8902-12120 Pin, Lock	1	
15	00002059	Bolt GB/T 5783 M12 × 30	1	
16	00000815	Spring Washer GB/T 93 12	1	
17	00000814	Flat Washer GB/T 97.1 12	1	

### 3-18 Telescopic Boom and Articulating JIB Installations (BT22BRT)

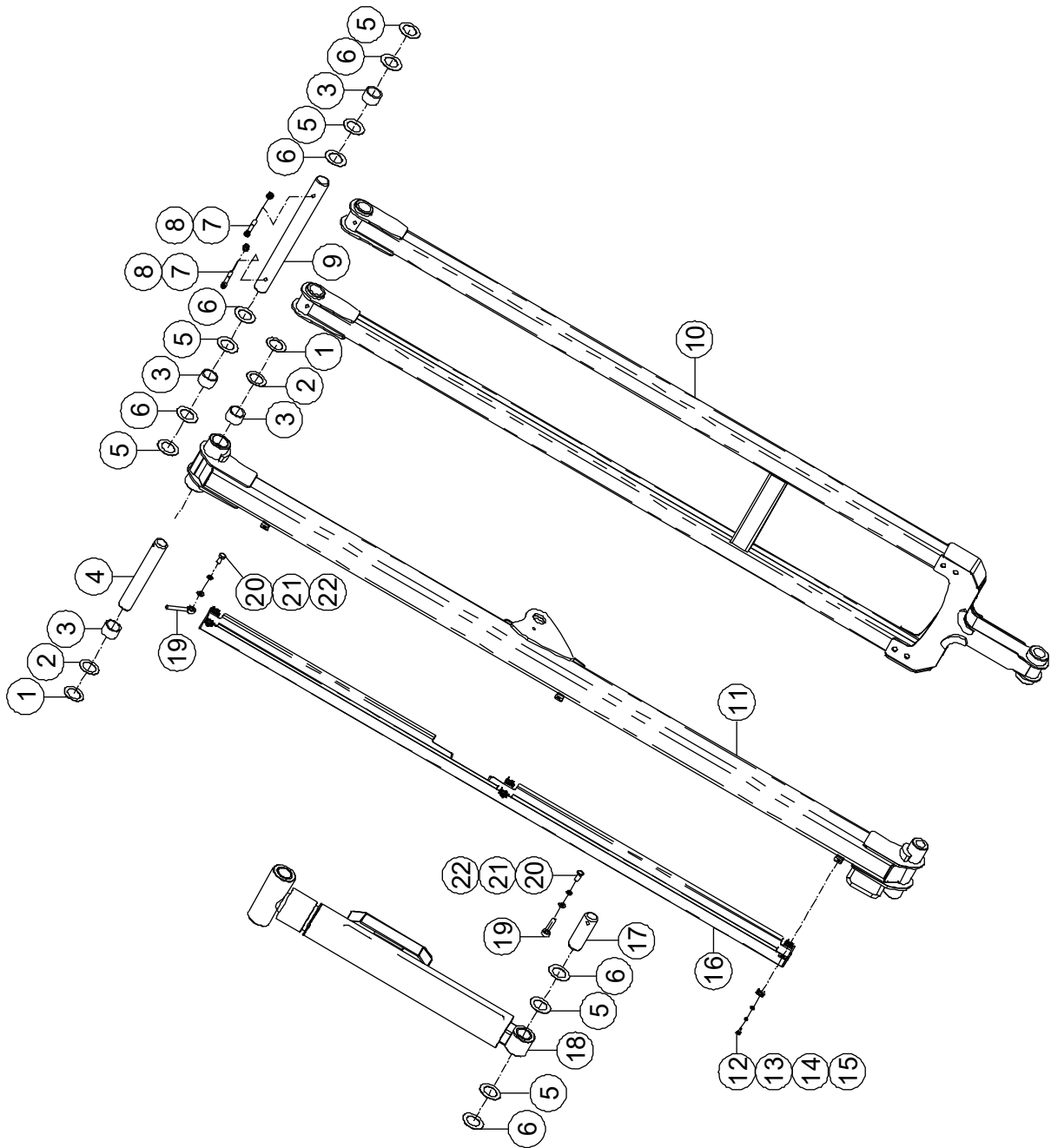




### 3-18 Telescopic Boom and Articulating JIB Installations (BT22BRT)

Item	Part Number	Description	Qty.	Remark
1	92029593	Shim	10	
2	92029594	Shim	6	
3	92048520	8813-505850 Sleeve Bearing	2	
4	00009275	895-50100 Pin, Pivot	2	
5	00002464	8902-12085 Pin, Lock	2	
6	00002059	Bolt GB/T 5783 M12 × 30	2	
7	00000815	Spring Washer GB/T 93 12	4	
8	00000814	Flat Washer GB/T 97.1 12	4	
9	00002465	8902-12120 Pin, Lock	2	
10	00002046	Bolt GB/T 5783 M12 × 35	2	
11	00009276	897-50368 Pin, Pivot	1	
12	00009277	8813-505540 Sleeve Bearing	2	
13	92101343	Junction	1	

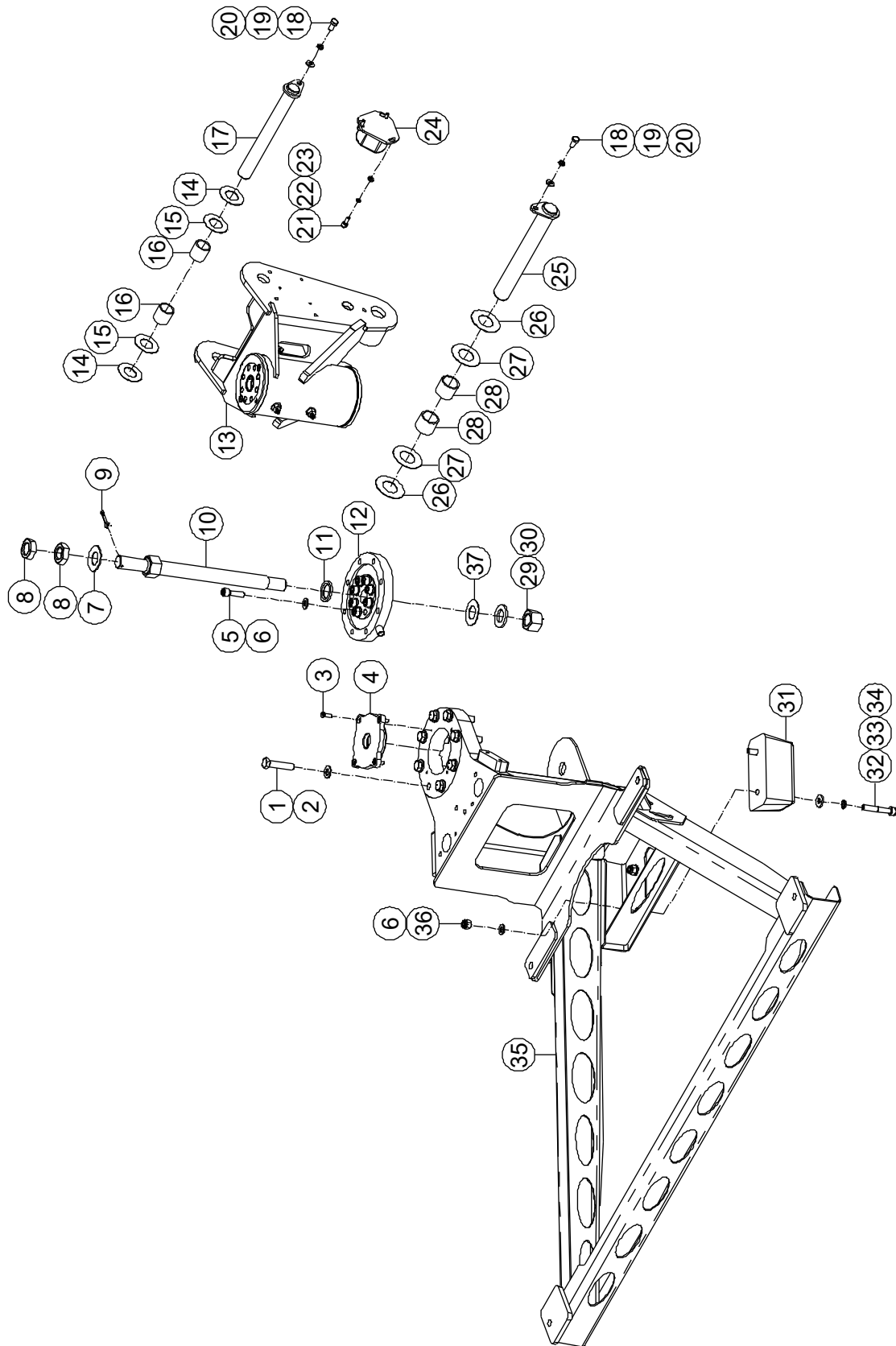
### 3-19 Articulating JIB Installations



**3-19 Articulating JIB Installations**

Item	Part Number	Description	Qty.	Remark
1	92049266	Shim	2	
2	92049267	Shim	2	
3	92048639	8813-404830 Sleeve Bearing	4	
4	92049264	Pin, Pivot	1	
5	92049271	Shim	6	
6	92049272	Shim	6	
7	00002556	Screw GB/T 70 M10 × 70	2	
8	00000623	Nut GB/T 6182 M10	2	
9	92049270	Pin, Pivot	1	
10	92100201	Linker, Lower	1	
11	92100199	Linker, Upper	1	
12	00000818	Bolt GB/T 5783 M6 × 16	6	
13	00000621	Spring Washer GB/T 93 6	6	
14	00000620	Flat Washer GB/T 97.1 6	6	
15	50000112	Nut QC/T 885 M6	6	
16	92049162	Channel	1	
17	92049281	Pin, Pivot	1	
18		JIB Lifting Cylinder Assembly ( <i>Refer to 5-7</i> )	1	
19	00000220	8902-10080 Pin, Lock	2	
20	00000678	Bolt GB/T 5783 M10 × 25	2	
21	00000679	Spring Washer GB/T 93 10	2	
22	00000615	Flat Washer GB/T 97.1 10	2	

### 3-20 Rotate Cylinder Assembly Installations



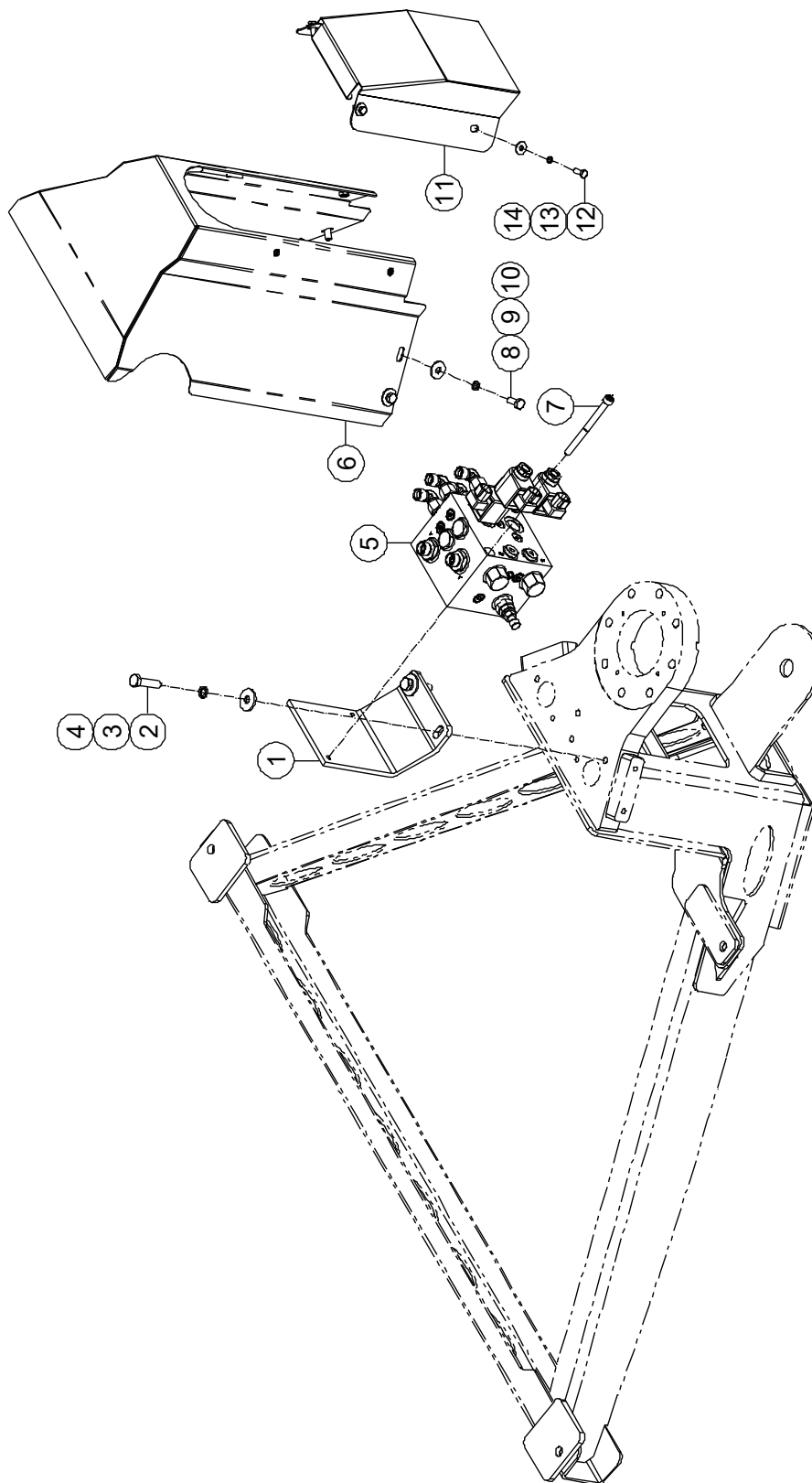
**3-20 Rotate Cylinder Assembly Installations**

Item	Part Number	Description	Qty.	Remark
1	00002923	Bolt GB/T 5783 M12 × 55	8	
2	00000814	Flat Washer GB/T 97.1 12	8	
3	00000831	Screw GB/T 70.3 M6×20	4	
4	92100987	Cover	1	
5	00002238	Screw GB/T 70 M10 × 35	8	
6	00000615	Flat Washer GB/T 97.1 10	12	
7	00007974	Disc Spring B 50 GB/T 1972	1	
8	00007853	Nut GB/T 6173 M24×2	2	
9	00002405	Cotter Pin GB/T 91 4 × 32	1	
10	92100986	Pin, Pivot	1	
11	92100206	Shim	1	
12	00006204	Load Sensor	1	
13	92047710	Rotate Cylinder Assembly	1	
14	92049314	Shim	3	
15	92049308	Shim	2	
16	92048521	8813-253030 Sleeve Bearing	2	
17	92049088	Pin	1	
18	00001063	Bolt GB/T 5783 M8 × 16	2	
19	00000609	Spring Washer GB/T 93 8	2	
20	00000608	Flat Washer GB/T 97.1 8	2	
21	00000876	Screw GB/T 70 M6 × 16	3	
22	00000621	Washer GB/T 93 6	3	
23	00000620	Washer GB/T 97.1 6	3	
24	00008914	Angle Sensor	1	Standard
	00002916	Angle Sensor	1	Optional
25	92049129	Pin	1	
26	92049084	Shim	2	
27	92049081	Shim	2	
28	92049042	8813-303630 Sleeve Bearing	2	

**3-20 Rotate Cylinder Assembly Installations (Continued)**

Item	Part Number	Description	Qty.	Remark
29	00006420	Nut GB/T 6176 M24×2	1	
30	00001159	Flat Washer GB/T 97.1 24	1	
31	10000041	Plate, Rubber	2	
32	00000614	Screw GB/T 70 M10 × 60	4	
33	00000679	Washer GB/T 93 10	4	
34	92100049	Washer	4	
35	92100269	Support	1	
36	00000623	Nut GB/T 6182 M10	4	
37	92101369	Shim	1	

### 3-21 Articulating JIB Valve Block Installations

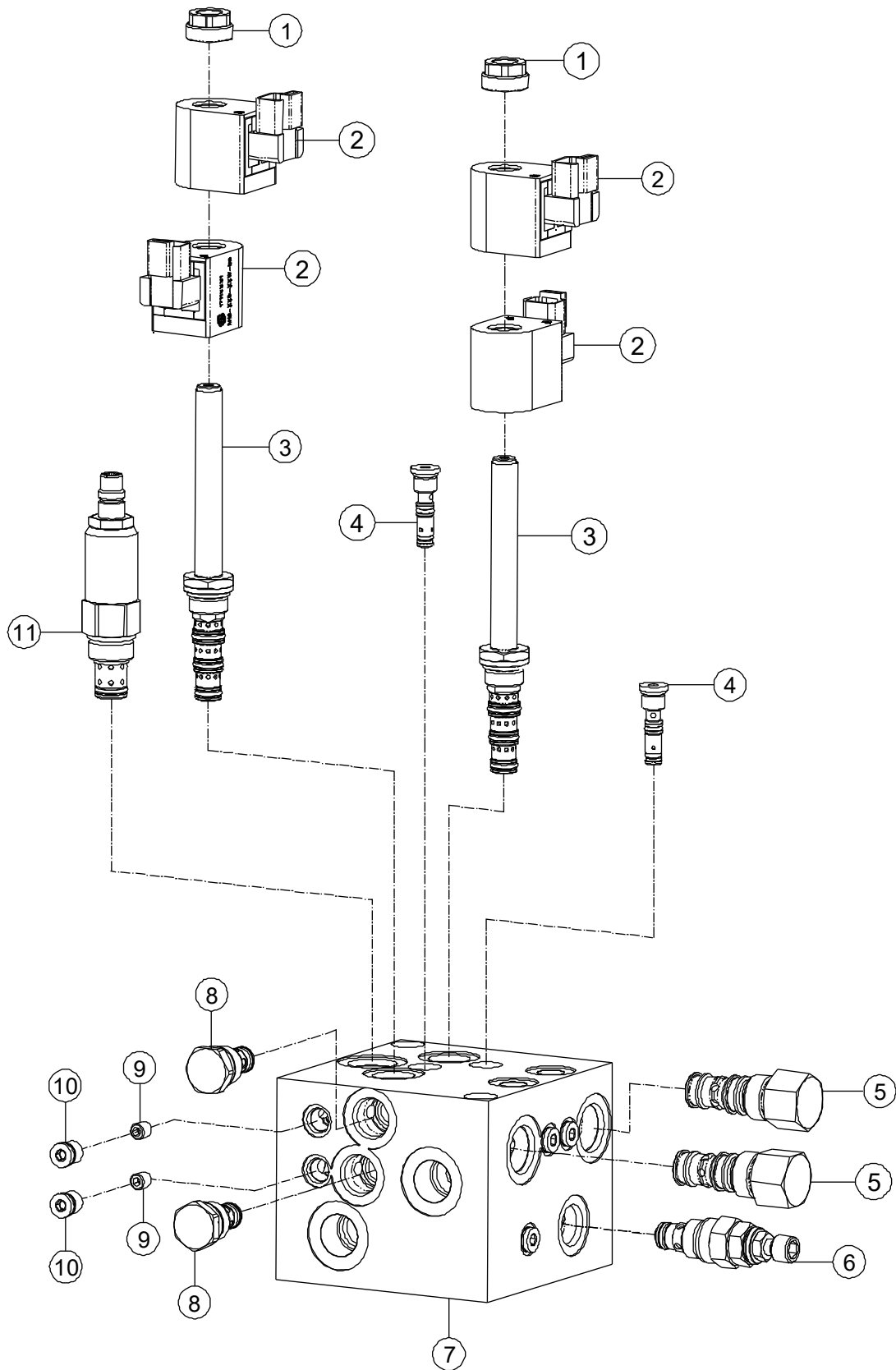


**3-21 Articulating JIB Valve Block Installations**

Item	Part Number	Description	Qty.	Remark
1	92000073	Support	1	
2	00001041	Bolt GB/T 5783 M10 × 40	2	
3	00000679	Spring Washer GB/T 93 10	2	
4	00001028	Flat Washer GB/T 96.1 10	2	
5	92049371	Valve Block (Refer to 3-22)	1	
6	92049154	Housing	1	
7	00002497	Screw GB/T 70 M8 × 100	2	
8	00000875	Bolt GB/T 5783 M8 × 20	4	
9	00000609	Spring Washer GB/T 93 8	4	
10	00002000	Flat Washer GB/T 96.1 8	4	
11	92101000	Housing	1	
12	00000818	Bolt GB/T 5783 M6 × 16	4	
13	00000621	Spring Washer GB/T 93 6	4	
14	00002583	Flat Washer GB/T 96.1 6	4	



### 3-22 Valve Block

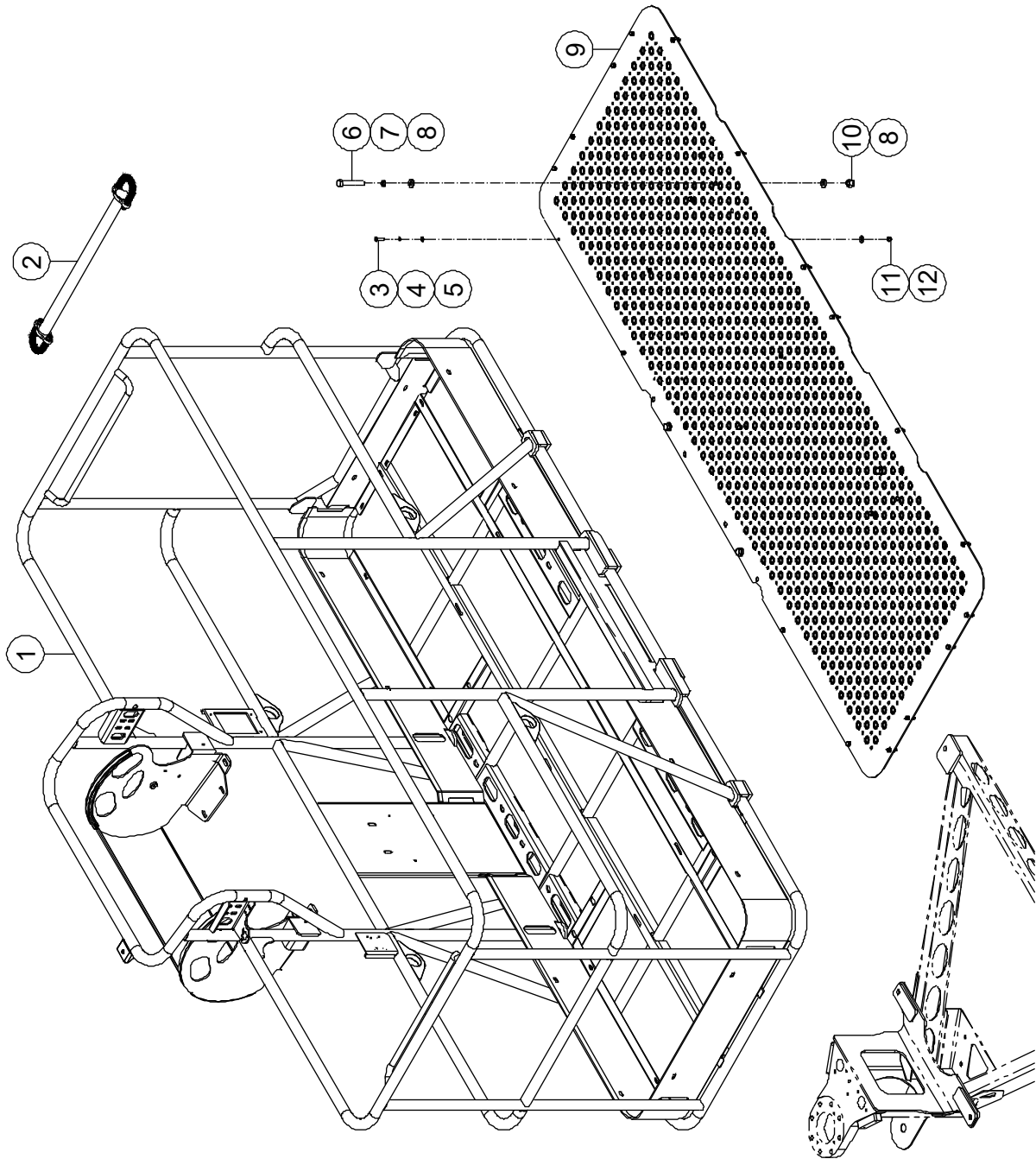


**3-22 Valve Block**

Item	Part Number	Description	Qty.	Remark
1	00003352	Nut	2	
2	00003320	Coil	4	
3	00006088	Cartridge, Proportional Valve	2	
4	00003291	Cartridge, Shuttle Valve	2	
5	00003306	Logic Element	2	
6	00006944	Cartridge, Relief Valve	1	
7	00006940	Body	1	
8	00003589	Cartridge, Check Valve	2	
9	00003358	Orifice	2	
10	00004342	Plug	8	
11	00003591	Cartridge, Relief Valve	1	

# Section 4 Platform

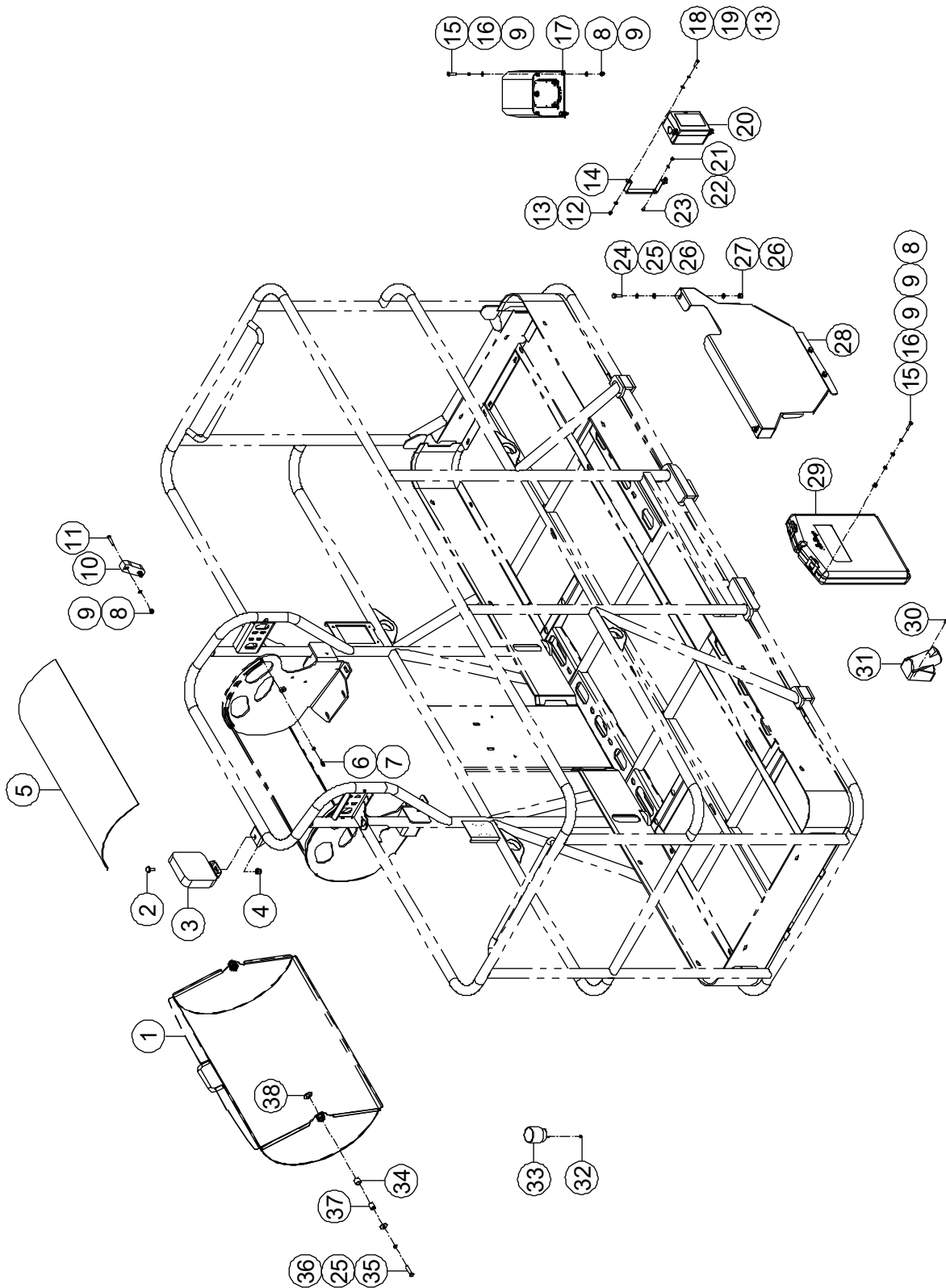
### 4-1 Platform Installations



**4-1 Platform Installations**

Item	Part Number	Description	Qty.	Remark
1	92100287	Platform	1	
2		Gate Assembly (Refer to 4-3)	2	
3	00000619	Bolt GB/T 5783 M6 × 25	24	
4	00000621	Spring Washer GB/T 93 6	24	
5	00000620	Flat Washer GB/T 97.1 6	24	
6	00002527	Bolt GB/T 5782 M12 × 80	4	
7	00000815	Spring Washer GB/T 93 12	4	
8	00000814	Flat Washer GB/T 97.1 12	8	
9	92100316	Deck Plate	1	
10	00001249	Nut GB/T 6182 M12	4	
11	00001033	Nut GB/T 6182 M6	24	
12	00002583	Flat Washer GB/T 96.1 6	24	

### 4-2 Platform Assembly



## 4-2 Platform Assembly

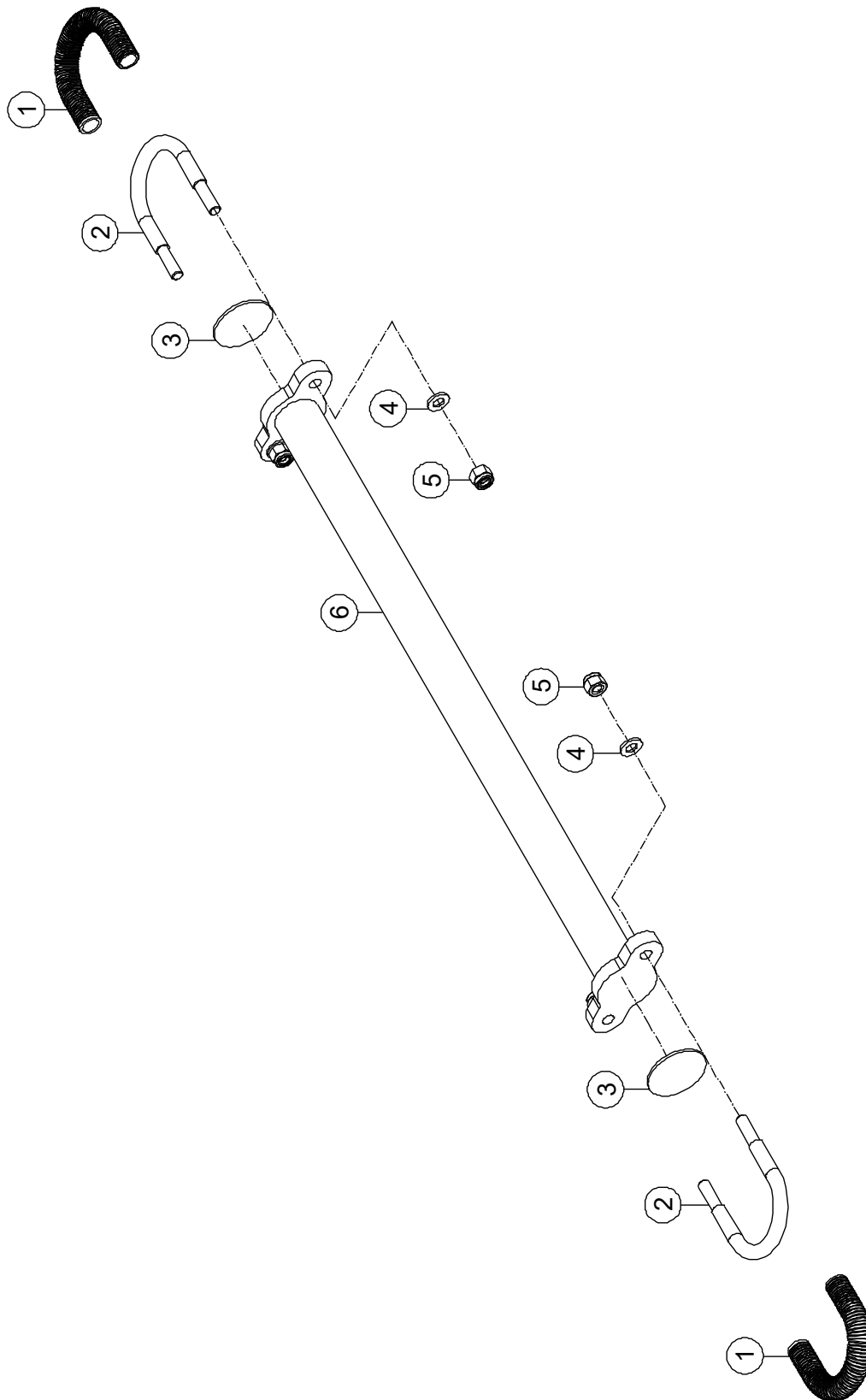
Item	Part Number	Description	Qty.	Remark
1	92000051	Shield	1	
2	00000674	Bolt GB/T 5783 M10 × 20	1	
3	00006753	Head Light	1	
4	00000623	Nut GB/T 6182 M10	1	
5	92000228	Shield, Plastic	1	
6	00001030	Screw GB/T 70 M5 × 10	2	
7	00000688	Nut GB/T 6170 M5	2	
8	00001033	Nut GB/T 6182 M6	12	
9	00000620	Flat Washer GB/T 97.1 6	20	
10	92000057	Plate, Limit	2	
11	00000863	Screw GB/T 70.3 M6×35	4	
12	00000613	Nut GB/T 6182 M5	4	
13	00000605	Flat Washer GB/T 97.1 5	8	
14	92000223	Plate	2	
15	00000619	Bolt GB/T 5783 M6 × 25	8	
16	00000621	Spring Washer GB/T 93 6	8	
17	00005212	Footswitch	1	
18	00002268	Bolt GB/T 5783 M5 × 20	4	
19	00000606	Spring Washer GB/T 93 5	4	
20	00000668	Electrical Outlet	1	
21	00001236	Nut GB/T 889.1 M4	2	
22	00000778	Flat Washer GB/T 97.1 4	2	
23	00002414	Screw GB/T 818 M4 × 12 - H	2	
24	00000993	Bolt GB/T 5783 M8 × 25	4	
25	00000609	Spring Washer GB/T 93 8	6	
26	00000608	Flat Washer GB/T 97.1 8	8	
27	00001163	Nut GB/T 6182 M8	4	
28	92000050	Plate, Decal	1	
29	50000555	Box, Manual	1	

**4-2 Platform Assembly (Continued)**

Item	Part Number	Description	Qty.	Remark
30	00001003	Screw GB/T 973 M4×12	4	
31	00002933	Electrical Outlet	1	Alternative
	00002709	Electrical Outlet	1	
32	00003700	Nut GB/T 889.1 M3	3	
33	00005190	Beacon	1	
34	92030523	Bushing	2	
35	00002488	Bolt GB/T 5783 M8 × 35	2	
36	00002000	Flat Washer GB/T 96.1 8	2	
37	92030530	Axes	2	
38	92030152	Washer	2	



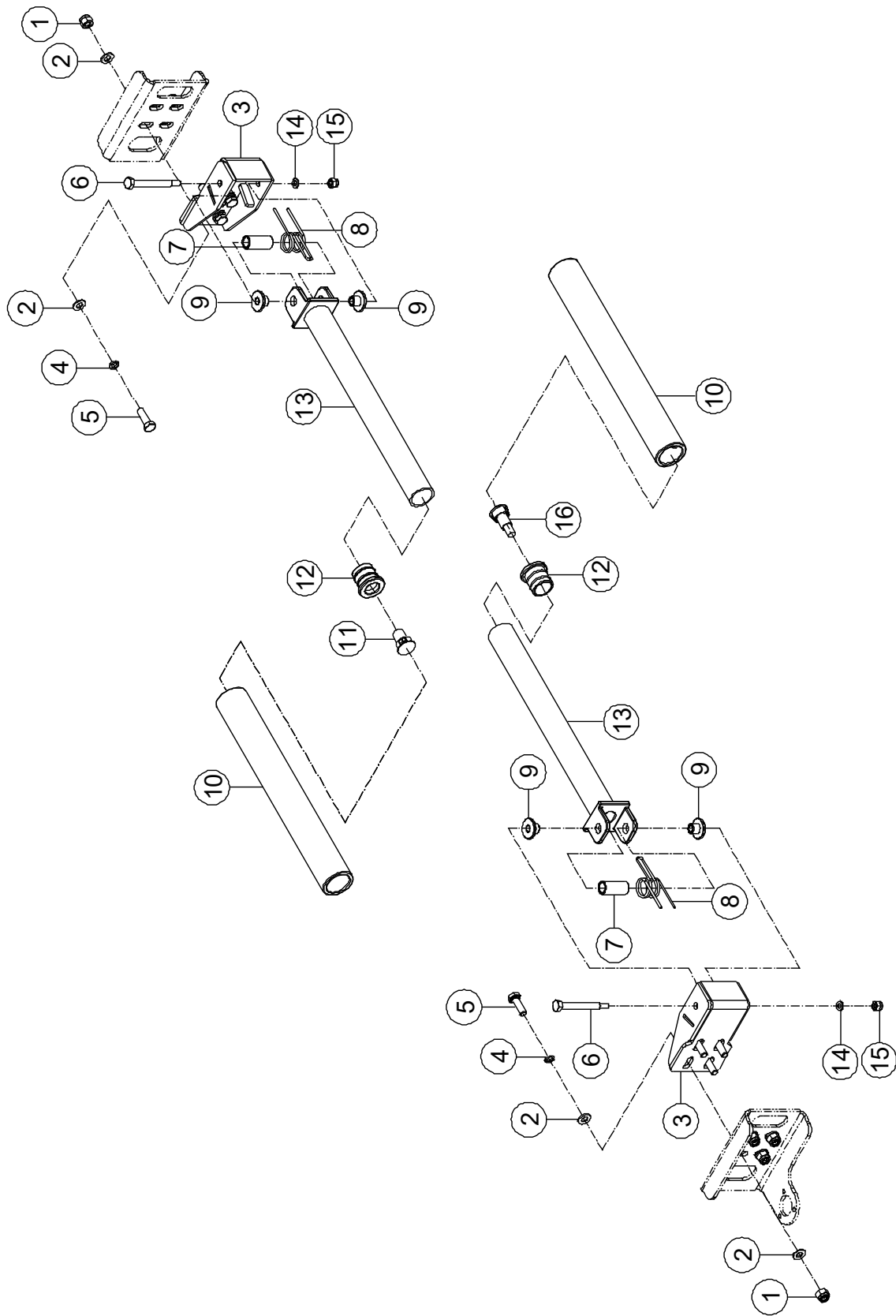
### 4-3 Gate Assembly



**4-3 Gate Assembly**

Item	Part Number	Description	Qty.	Remark
1	92100232	Jacket	2	
2	92100228	Clamp	2	
3	92100249	Anti-Scratch	2	
4	00000608	Flat Washer GB/T 97.1 8	4	
5	00001163	Nut GB/T 6182 M8	4	
6	92100229	Gate, Lift	1	

### 4-4 Lift Guard Contact Alarm

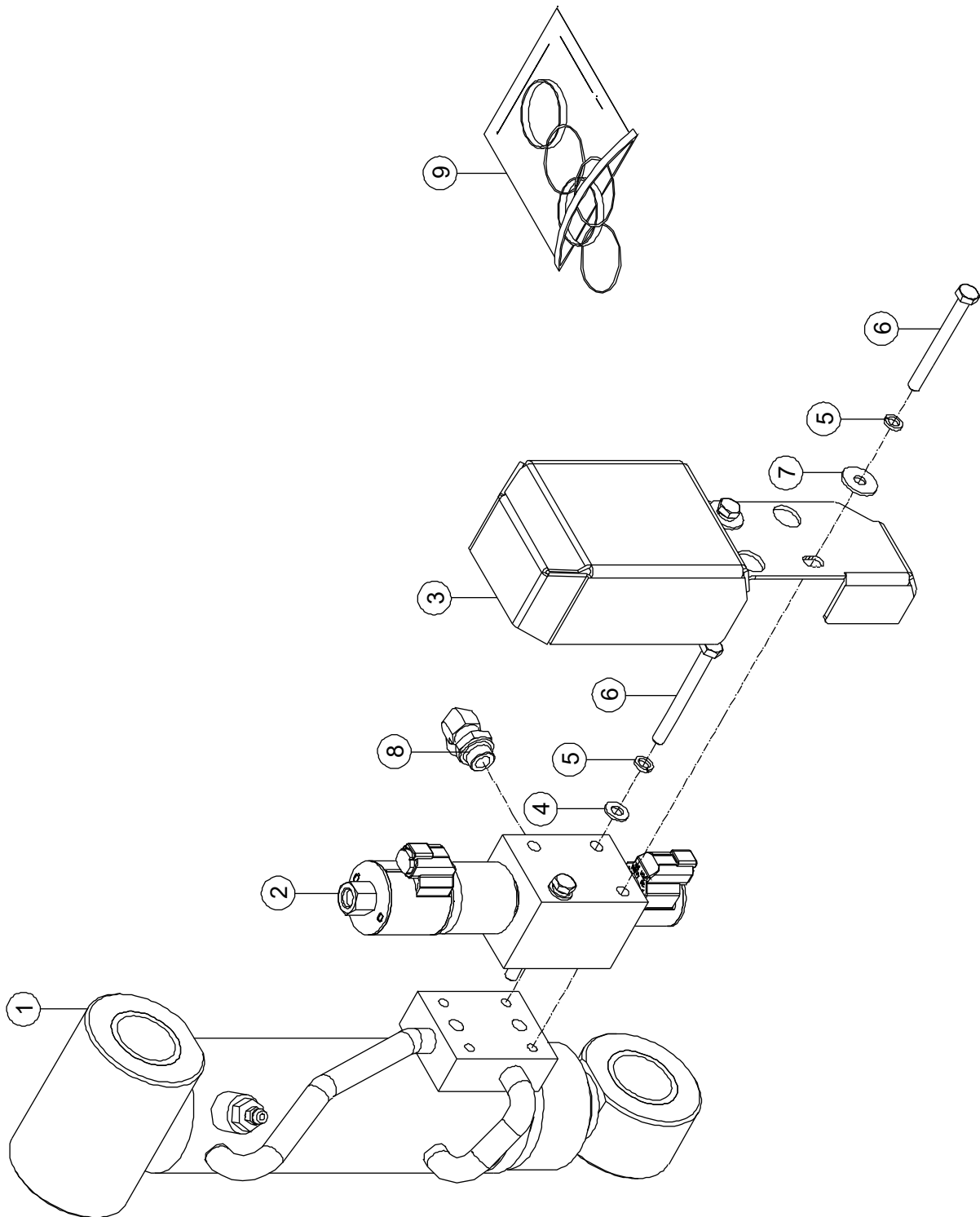


**4-4 Lift Guard Contact Alarm**

Item	Part Number	Description	Qty.	Remark
1	00001163	Nut GB/T 6182 M8	8	
2	00000608	Flat Washer GB/T 97.1 8	16	
3	92000231	Bracket, Contact Alarm	2	
4	00000609	Spring Washer GB/T 93 8	8	
5	00000993	Bolt GB/T 5783 M8 × 25	8	
6	92000239	Pin	2	
7	92000238	Tube	2	
8	92000237	Spring	2	
9	92000236	JDBB-1013 Bearing	4	
10	92000253	Jacket, Foam	2	
11	00006226	Magnet	1	
12	92000243	Plug, Nylon	2	
13	92000240	Tube, Contact Alarm	2	
14	00000620	Flat Washer GB/T 97.1 6	2	
15	00001033	Nut GB/T 6182 M6	2	
16	00006225	Door Magnetic Switch	1	

# Section 5 Cylinder

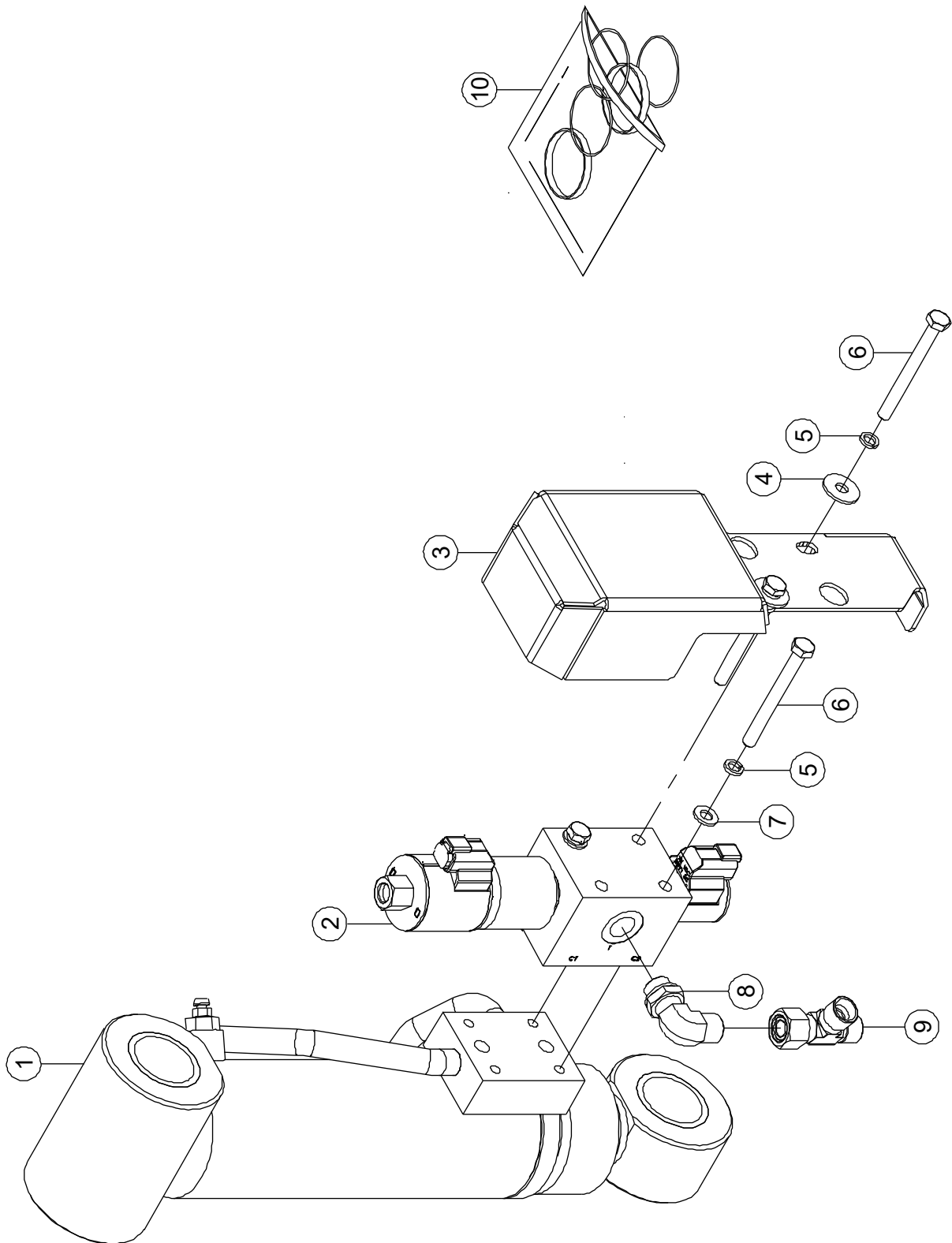
### 5-1 Left Axle Lockout Cylinder Assembly



**5-1 Left Axle Lockout Cylinder Assembly**

Item	Part Number	Description	Qty.	Remark
1	92049293	Left Axle Lockout Cylinder Assembly	1	
2	92047788	Valve	1	
3	92049302	Protective Guard	1	
4	00000608	Flat Washer GB/T 97.1 8	2	
5	00000609	Spring Washer GB/T 93 8	4	
6	00001026	Bolt GB/T 5782 M8 × 80	4	
7	00002000	Flat Washer GB/T 96.1 8	2	
8	00004922	Fitting, 90°	1	
9	92050380	Seal Kit 70/45	1	

### 5-2 Right Axle Lockout Cylinder Assembly

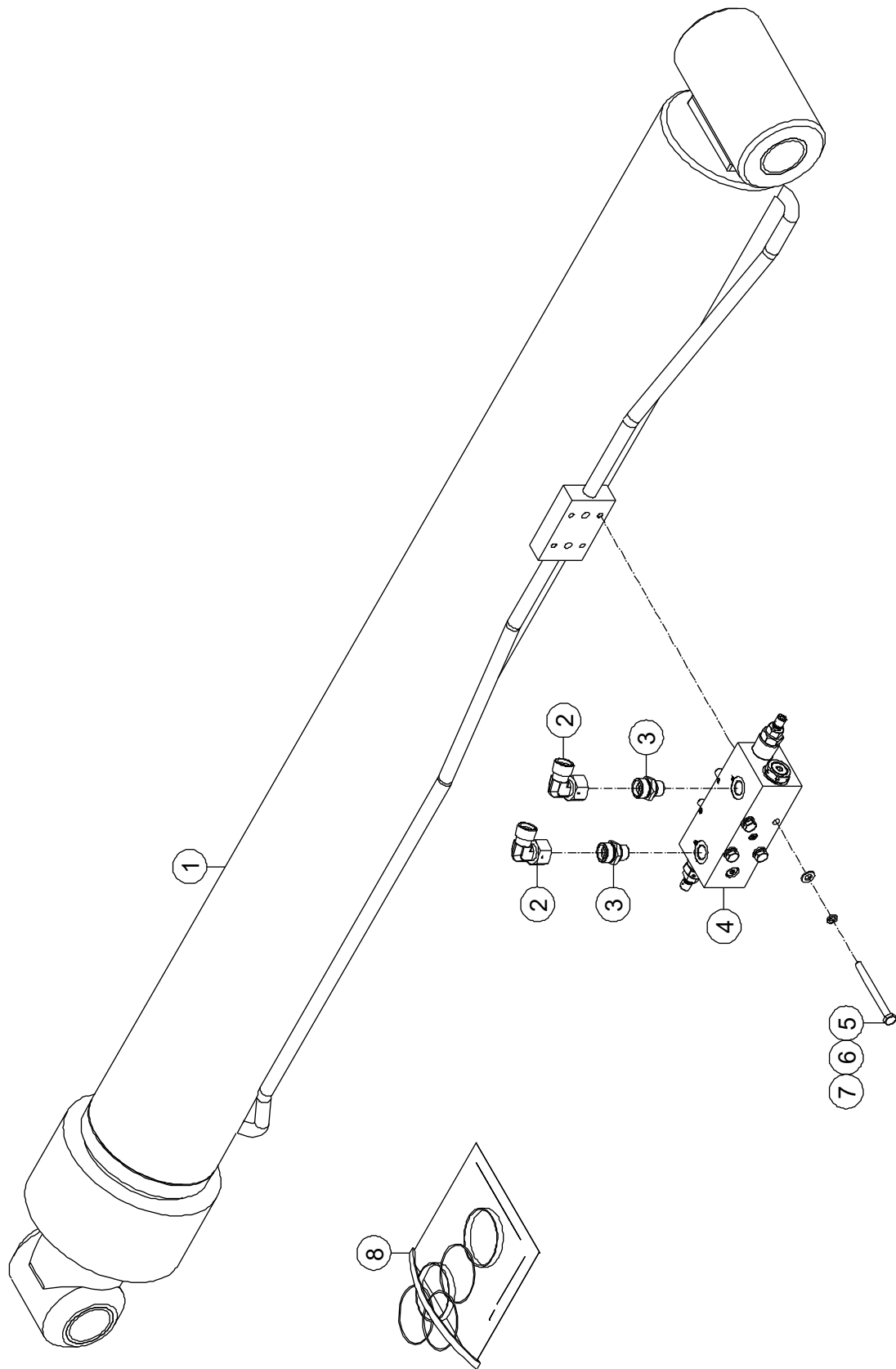




**5-2 Right Axle Lockout Cylinder Assembly**

Item	Part Number	Description	Qty.	Remark
1	92049300	Right Axle Lockout Cylinder Assembly	1	
2	92047789	Valve	1	
3	92049303	Protective Guard	1	
4	00002000	Flat Washer GB/T 96.1 8	2	
5	00000609	Spring Washer GB/T 93 8	4	
6	00001026	Bolt GB/T 5782 M8 × 80	4	
7	00000608	Flat Washer GB/T 97.1 8	2	
8	00004922	Fitting, 90°	1	
9	00001239	Fitting, Tee	1	
10	92050380	Seal Kit 70/45	1	

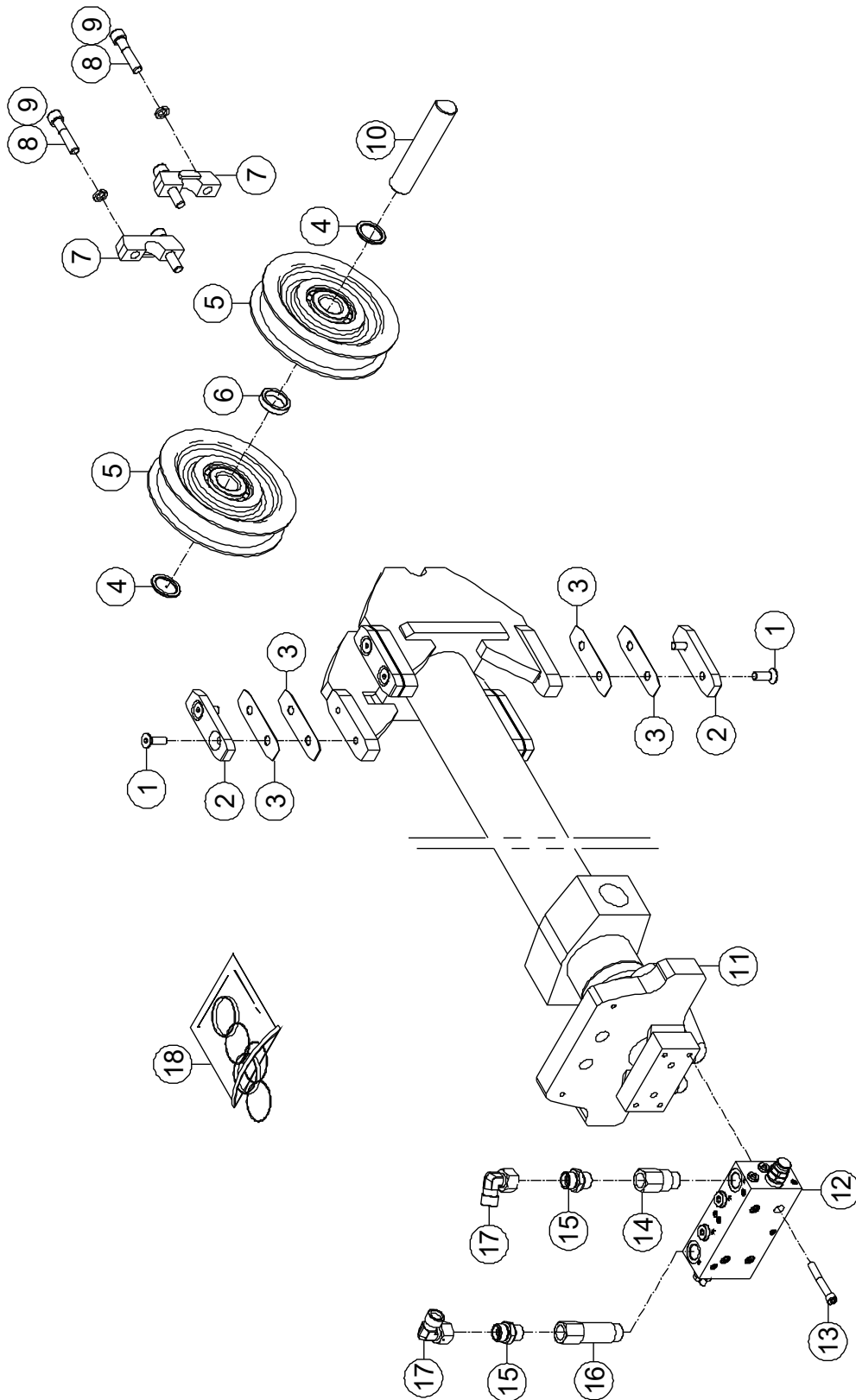
### 5-3 Lifting Cylinder Assembly



**5-3 Lifting Cylinder Assembly**

Item	Part Number	Description	Qty.	Remark
1	92058324	Lifting Cylinder Assembly	1	
2	00001835	Fitting, 90°	2	
3	00001507	Fitting, Straight	2	
4	92102189	Valve	1	
5	00006728	Bolt GB/T 5782 M8 × 85	4	
6	00000609	Spring Washer GB/T 93 8	4	
7	00000608	Flat Washer GB/T 97.1 8	4	
8	92100875	Seal Kit 145/105	1	

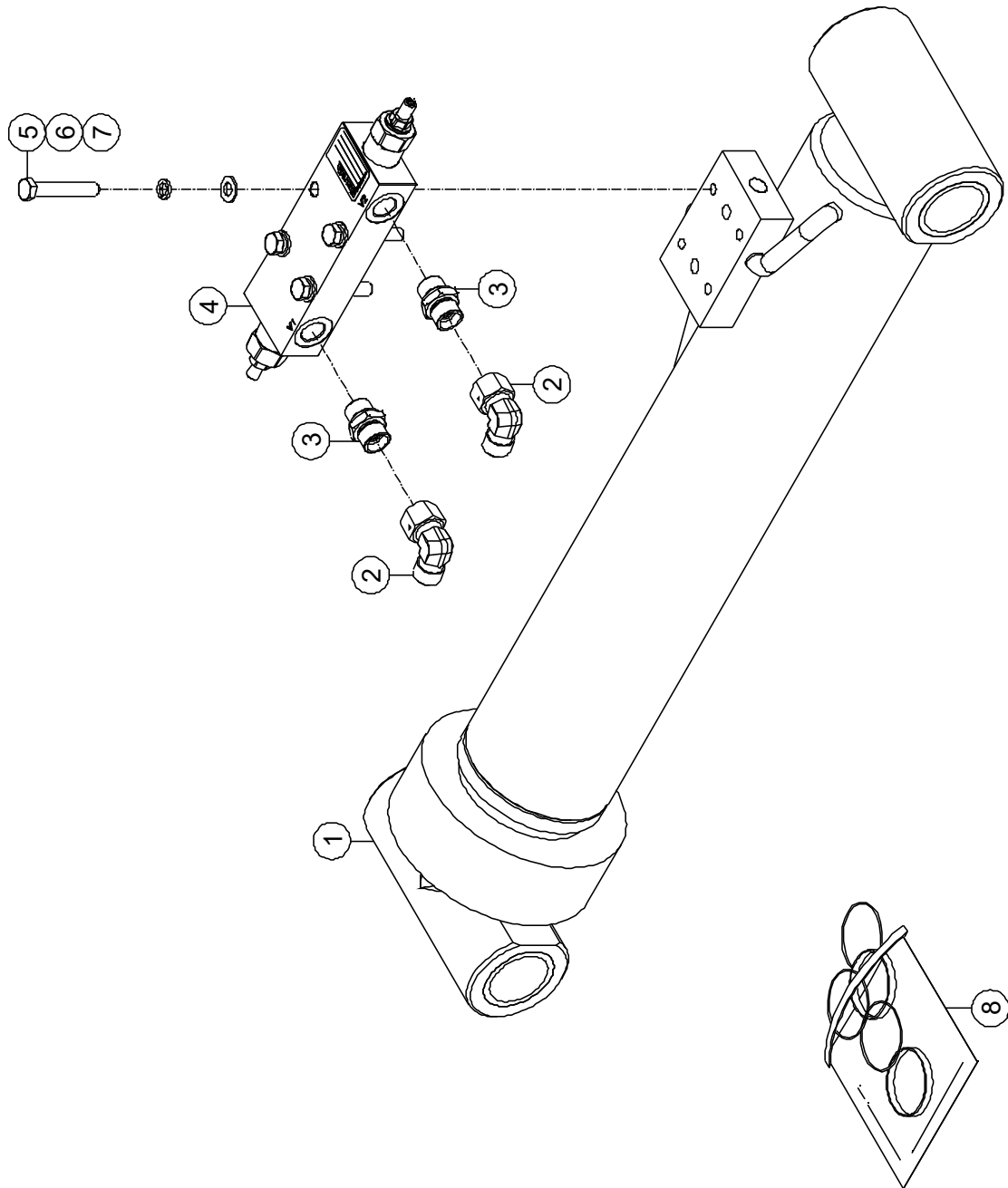
### 5-4 Telescopic Cylinder Assembly



**5-4 Telescopic Cylinder Assembly**

Item	Part Number	Description	Qty.	Remark
1	00000847	Screw GB/T 70.3 M10×30	8	
2	92029678	Sliding Block	4	
3	92029585	Shim	8	
4	92100219	Spacer	2	
5	92100222	Pulley Bearing	2	
6	92100220	Spacer	1	
7	92029570	Lock	2	
8	00001852	Screw GB/T 70 M12 × 55	4	
9	00000815	Spring Washer GB/T 93 12	4	
10	92029583	Pin	1	
11	92058184	Telescopic Cylinder Assembly	1	
12	92055442	Valve	1	
13	00006415	Screw GB/T 70 M8 × 60	4	
14	92048595	Fitting, Straight	1	
15	00001506	Fitting, Straight	2	
16	92048618	Fitting, Straight	1	
17	00001835	Fitting, 90°	2	
18	92100876	Seal Kit 85/65	1	

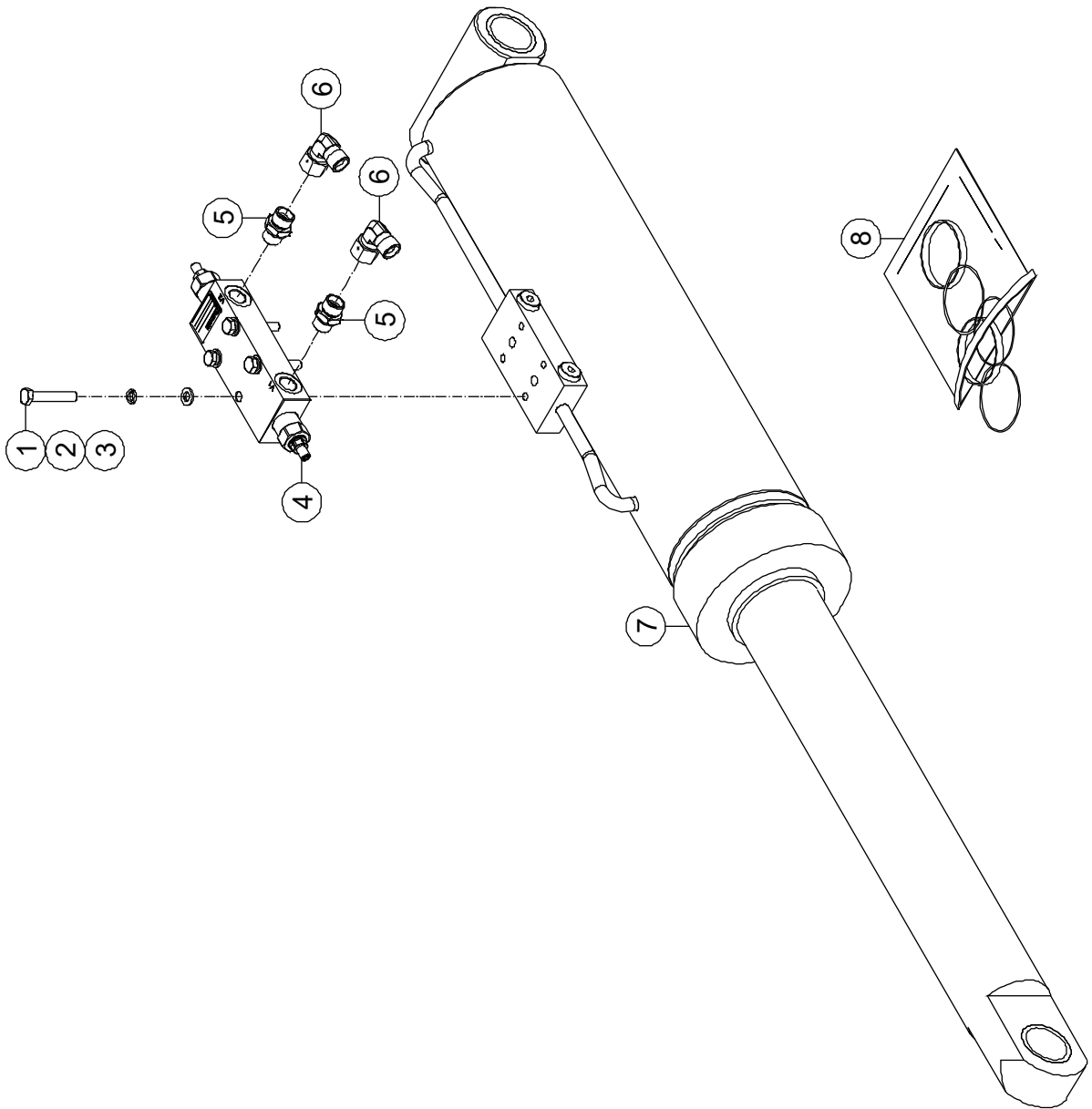
### 5-5 JIB Leveling Cylinder Assembly (BT22RT)



**5-5 JIB Leveling Cylinder Assembly (BT22RT)**

Item	Part Number	Description	Qty.	Remark
1	92058332	JIB Leveling Cylinder Assembly	1	
2	00001834	Fitting, 90°	2	
3	00001501	Fitting, Straight	2	
4	92000252	Valve	1	
5	00003607	Bolt GB/T 5783 M8 × 50	4	
6	00000609	Spring Washer GB/T 93 8	4	
7	00000608	Flat Washer GB/T 97.1 8	4	
8	92100877	Seal Kit 90/70	1	

**5-6 JIB Leveling Cylinder Assembly (BT22BRT)**

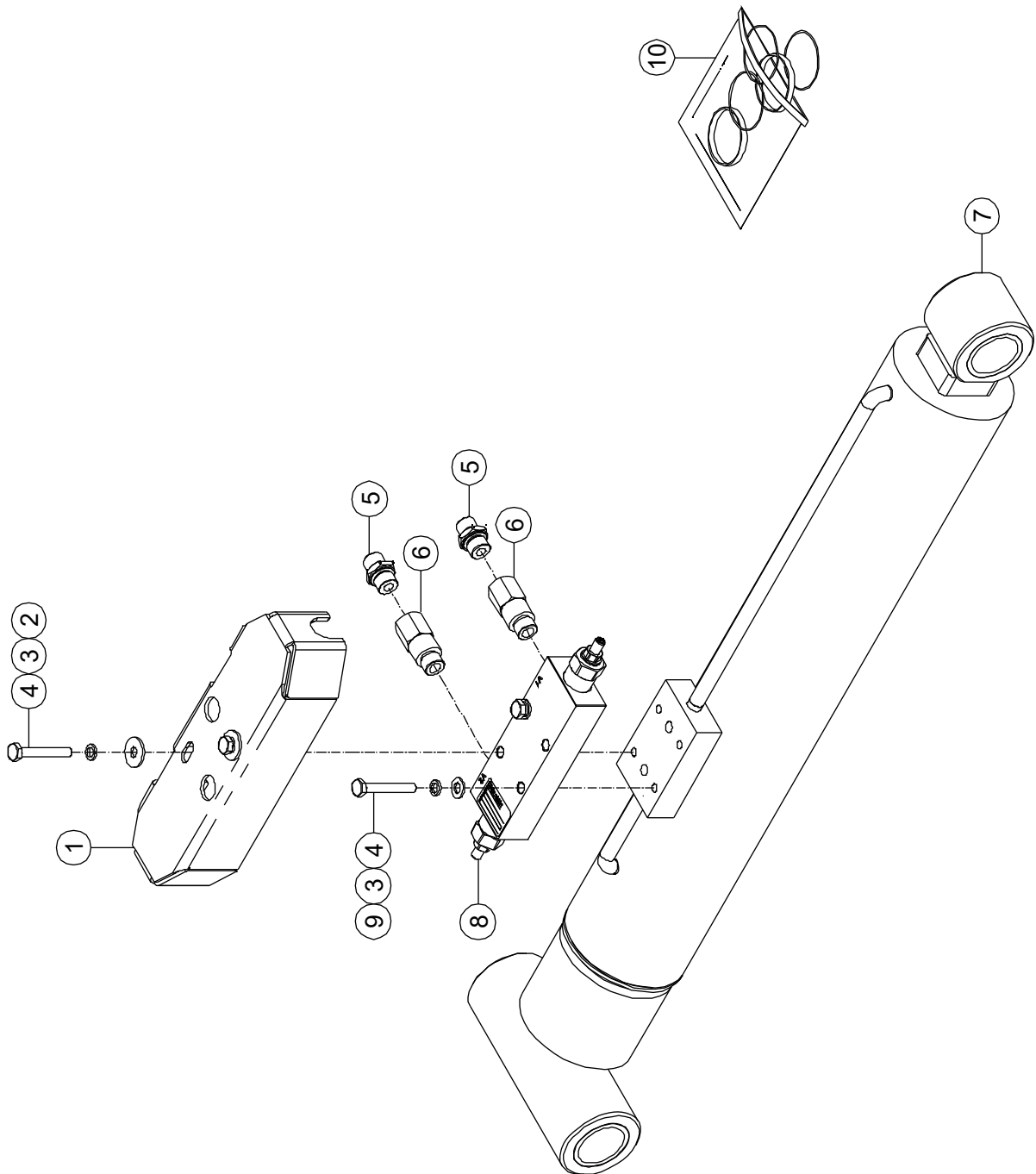




**5-6 JIB Leveling Cylinder Assembly (BT22BRT)**

Item	Part Number	Description	Qty.	Remark
1	00003607	Bolt GB/T 5783 M8 × 50	4	
2	00000609	Spring Washer GB/T 93 8	4	
3	00000608	Flat Washer GB/T 97.1 8	4	
4	92000252	Valve	1	
5	00001501	Fitting, Straight	2	
6	00001834	Fitting, 90°	2	
7	92101361	JIB Leveling Cylinder Assembly	1	
8	92101363	Seal Kit 120/80	1	

### 5-7 JIB Lifting Cylinder Assembly

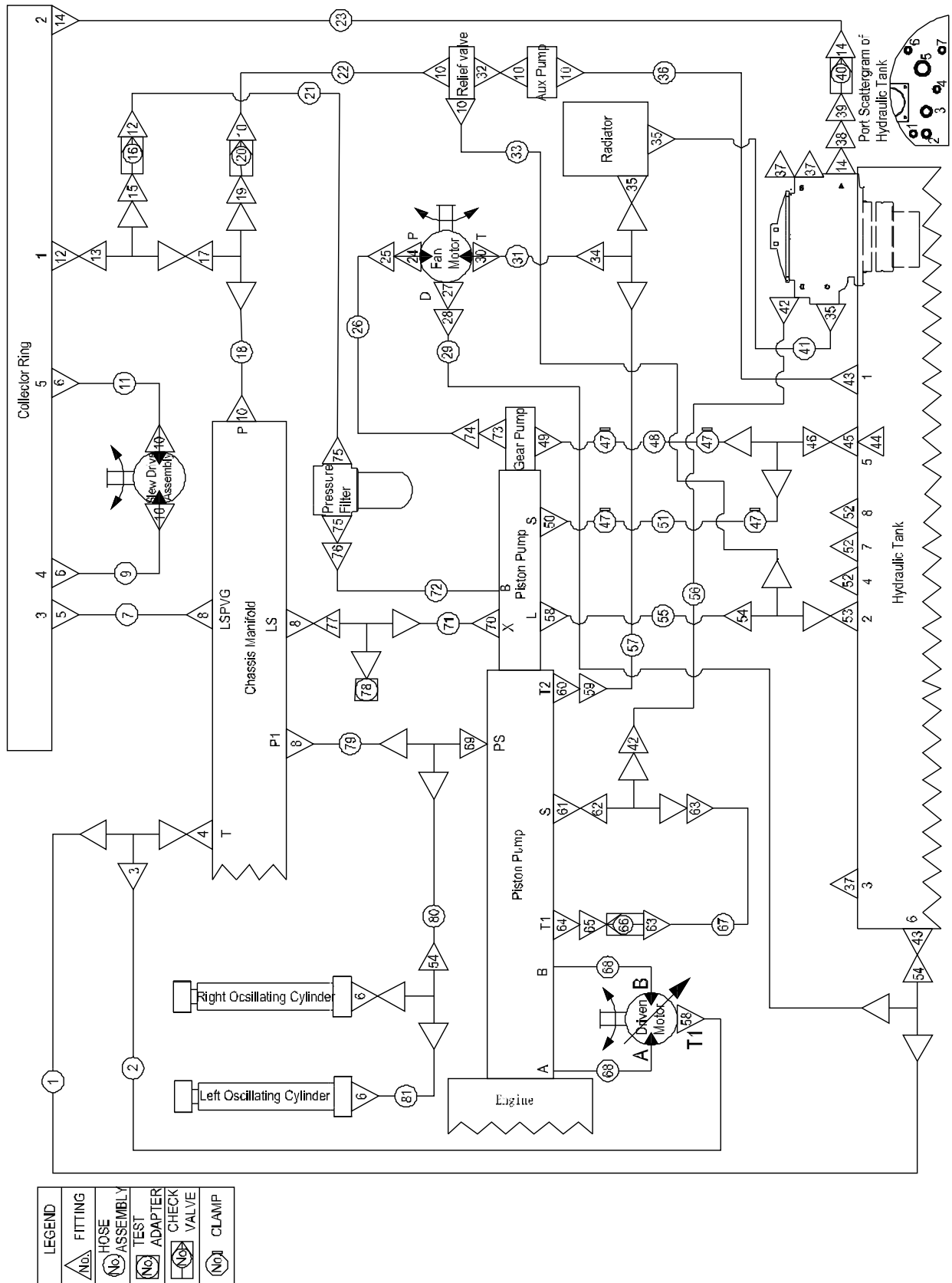


**5-7 JIB Lifting Cylinder Assembly**

Item	Part Number	Description	Qty.	Remark
1	92049289	Housing	1	
2	00002000	Flat Washer GB/T 96.1 8	2	
3	00000609	Spring Washer GB/T 93 8	4	
4	00003607	Bolt GB/T 5783 M8 × 50	4	
5	00001499	Fitting, Straight	2	
6	92048866	Fitting, Straight	2	
7	92049273	JIB Lifting Cylinder Assembly	1	
8	92049338	Valve	1	
9	00000608	Flat Washer GB/T 97.1 8	2	
10	92051381	Seal Kit 90/50	1	

# Section 6 Hydraulic System

### 6-1 Chassis Circuit 1 (Stage IV)



**6-1 Chassis Circuit 1 (Stage IV)**

Item	Part Number	Description	Qty.	Remark
1	50003329	Hose Assembly	1	
2	92056660	Hose Assembly	1	
3	00005826	Fitting, Tee	1	
4	92048866	Customized Fitting	1	
5	00004925	Fitting, 90°	1	
6	00004922	Fitting, 90°	4	
7	92048884	Hose Assembly	1	
8	00001318	Fitting, Straight	3	
9	92048910	Hose Assembly	1	
10	00001501	Fitting, Straight	8	
11	92048906	Hose Assembly	1	
12	00001747	Fitting, Straight	2	
13	00006457	Fitting, Tee	1	
14	00001729	Fitting, Straight	3	
15	00005631	Fitting, Straight	1	
16	90030355	Check Valve	1	
17	00006455	Fitting, Tee	1	
18	92048882	Hose Assembly	1	
19	00005628	Fitting, Straight	1	
20	90003092	Check Valve	1	
21	92100058	Hose Assembly	1	
22	92049030	Hose Assembly	1	
23	92048935	Hose Assembly	1	
24	00001775	Fitting, Straight	1	
25	00001835	Fitting, 90°	1	
26	50005454	Hose Assembly	1	
27	00001771	Fitting, Straight	1	
28	00001833	Fitting, 90°	1	
29	92056666	Hose Assembly	1	

**6-1 Chassis Circuit 1 (Stage IV) (Continued)**

Item	Part Number	Description	Qty.	Remark
30	00006448	Fitting, Straight	1	
31	92056648	Hose Assembly	1	
32	00003088	Fitting, Straight	1	
33	92058381	Hose Assembly	1	
34	00002124	Fitting, Tee	1	
35	00001726	Fitting, Straight	1	
36	92030395	Hose Assembly	1	
37	00001116	Plug	3	
38	00003969	Fitting, 90°	1	
39	00005620	Fitting, Straight	1	
40	92010235	Check Valve	1	
41	92056646	Hose Assembly	1	
42	00001730	Fitting, Straight	2	
43	00001504	Fitting, Straight	2	
44	90029476	WU Filter	1	
45	00001732	Fitting, Straight	1	
46	92048981	Customized Fitting	1	
47	90023851	Clamp	4	
48	92048800	Hose Assembly	1	
49	92049094	Tube	1	
--	00000620	Flat Washer GB/T 97.1 6	4	
--	00000621	Spring Washer GB/T 93 6	4	
--	00000619	Bolt GB/T 5783 M6 × 25	4	
50	92048798	Tube	1	
--	90009892	SAE Flange Fitting FL-20	1	
--	00000615	Flat Washer GB/T 97.1 10	4	
--	00000679	Spring Washer GB/T 93 10	4	
--	00000683	Bolt GB/T 5783 M10 × 30	4	
51	92048977	Hose Assembly	1	

**6-1 Chassis Circuit 1 (Stage IV) (Continued)**

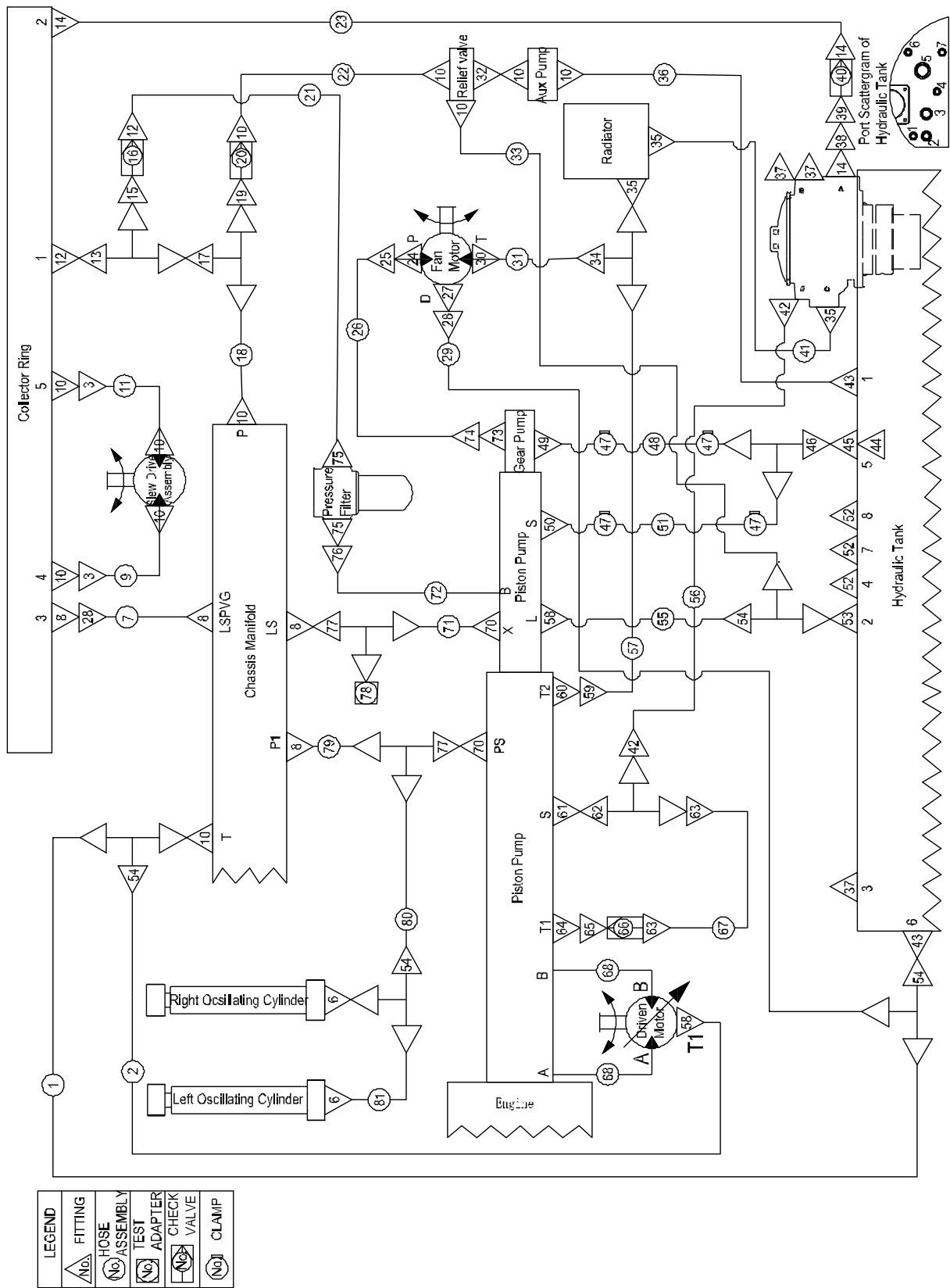
Item	Part Number	Description	Qty.	Remark
52	00001114	Plug	3	
53	00001505	Fitting, Straight	1	
54	00001239	Fitting, Tee	3	
55	92048897	Hose Assembly	1	
56	92058377	Hose Assembly	1	
57	92056647	Hose Assembly	1	
58	00001262	Fitting, Straight	2	
59	00001836	Fitting, 90°	1	
60	00001269	Fitting, Straight	1	
61	00001273	Fitting, Straight	1	
62	92058379	Steel tube	1	
63	00001512	Fitting, Straight	2	
64	00005592	Fitting, Straight	1	
65	00004930	Fitting, 90°	1	
66	92008919	Check Valve	1	
67	92100900	Hose Assembly	1	
68	92056633	Hose Assembly	2	
--	90003624	SAE Flange Fitting FS-16	4	
--	92048916	O-Ring	4	
--	00000814	Flat Washer GB/T 97.1 12	16	
--	00000815	Spring Washer GB/T 93 12	16	
--	00001055	Bolt GB/T 5783 M12 × 40	16	
69	00005804	Fitting, Tee	1	
70	00001290	Fitting, Straight	1	
71	92048887	Hose Assembly	1	
72	92048889	Hose Assembly	1	
--	90003625	SAE Flange Fitting FL-12	1	
--	92048924	O-Ring	1	
--	00000615	Flat GB/T 97.1 10	4	



**6-1 Chassis Circuit 1 (Stage IV) (Continued)**

Item	Part Number	Description	Qty.	Remark
--	00000679	Spring Washer GB/T 93 10	4	
--	00000683	Bolt GB/T 5783 M10 × 30	4	
73	90010542	Flange Fitting, 90°	1	
--	00000621	Spring Washer GB/T 93 6	4	
--	00000774	Screw GB/T 70 M6 × 20	2	
--	00001042	Screw GB/T 70 M6 × 30	2	
74	00006486	Fitting, 45°	1	
75	00003963	Fitting, Straight	2	
76	00001842	Fitting, 90°	1	
77	00001238	Fitting, Tee	1	
78	00006503	Test Adapter	1	
79	92048856	Hose Assembly	1	
80	92048973	Hose Assembly	1	
81	92030383	Hose Assembly	1	

6-2 Chassis Circuit 1 (Stage V)



**6-2 Chassis Circuit 1 (Stage V)**

Item	Part Number	Description	Qty.	Remark
1	50003329	Hose Assembly	1	
2	92056660	Hose Assembly	1	
3	00001834	Fitting, 90°	2	
4				Not used
5				Not used
6	00004922	Fitting, 90°	4	
7	92048884	Hose Assembly	1	
8	00001318	Fitting, Straight	4	
9	92048910	Hose Assembly	1	
10	00001501	Fitting, Straight	11	
11	92048906	Hose Assembly	1	
12	00001747	Fitting, Straight	2	
13	00006457	Fitting, Tee	1	
14	00001729	Fitting, Straight	3	
15	00005631	Fitting, Straight	1	
16	90030355	Check Valve	1	
17	00006455	Fitting, Tee	1	
18	92048882	Hose Assembly	1	
19	00005628	Fitting, Straight	1	
20	90003092	Check Valve	1	
21	92100058	Hose Assembly	1	
22	92049030	Hose Assembly	1	
23	92048935	Hose Assembly	1	
24	00001775	Fitting, Straight	1	
25	00001835	Fitting, 90°	1	
26	50005454	Hose Assembly	1	
27	00001771	Fitting, Straight	1	
28	00001833	Fitting, 90°	2	
29	92056666	Hose Assembly	1	

**6-2 Chassis Circuit 1 (Stage V) (Continued)**

Item	Part Number	Description	Qty.	Remark
30	00006448	Fitting, Straight	1	
31	92056648	Hose Assembly	1	
32	00003088	Fitting, Straight	1	
33	92058381	Hose Assembly	1	
34	00002124	Fitting, Tee	1	
35	00001726	Fitting, Straight	1	
36	92030395	Hose Assembly	1	
37	00001116	Plug	3	
38	00003969	Fitting, 90°	1	
39	00005620	Fitting, Straight	1	
40	92010235	Check Valve	1	
41	92056646	Hose Assembly	1	
42	00001730	Fitting, Straight	2	
43	00001504	Fitting, Straight	2	
44	90029476	WU Filter	1	
45	00001732	Fitting, Straight	1	
46	92048981	Customized Fitting	1	
47	90023851	Clamp	4	
48	92048800	Hose Assembly	1	
49	92049094	Tube	1	
--	00000620	Flat Washer GB/T 97.1 6	4	
--	00000621	Spring Washer GB/T 93 6	4	
--	00000619	Bolt GB/T 5783 M6 × 25	4	
50	92048798	Tube	1	
--	90009892	SAE Flange Fitting FL-20	1	
--	00000615	Flat Washer GB/T 97.1 10	4	
--	00000679	Spring Washer GB/T 93 10	4	
--	00000683	Bolt GB/T 5783 M10 × 30	4	
51	92048977	Hose Assembly	1	




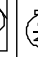
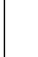
**6-2 Chassis Circuit 1 (Stage V) (Continued)**

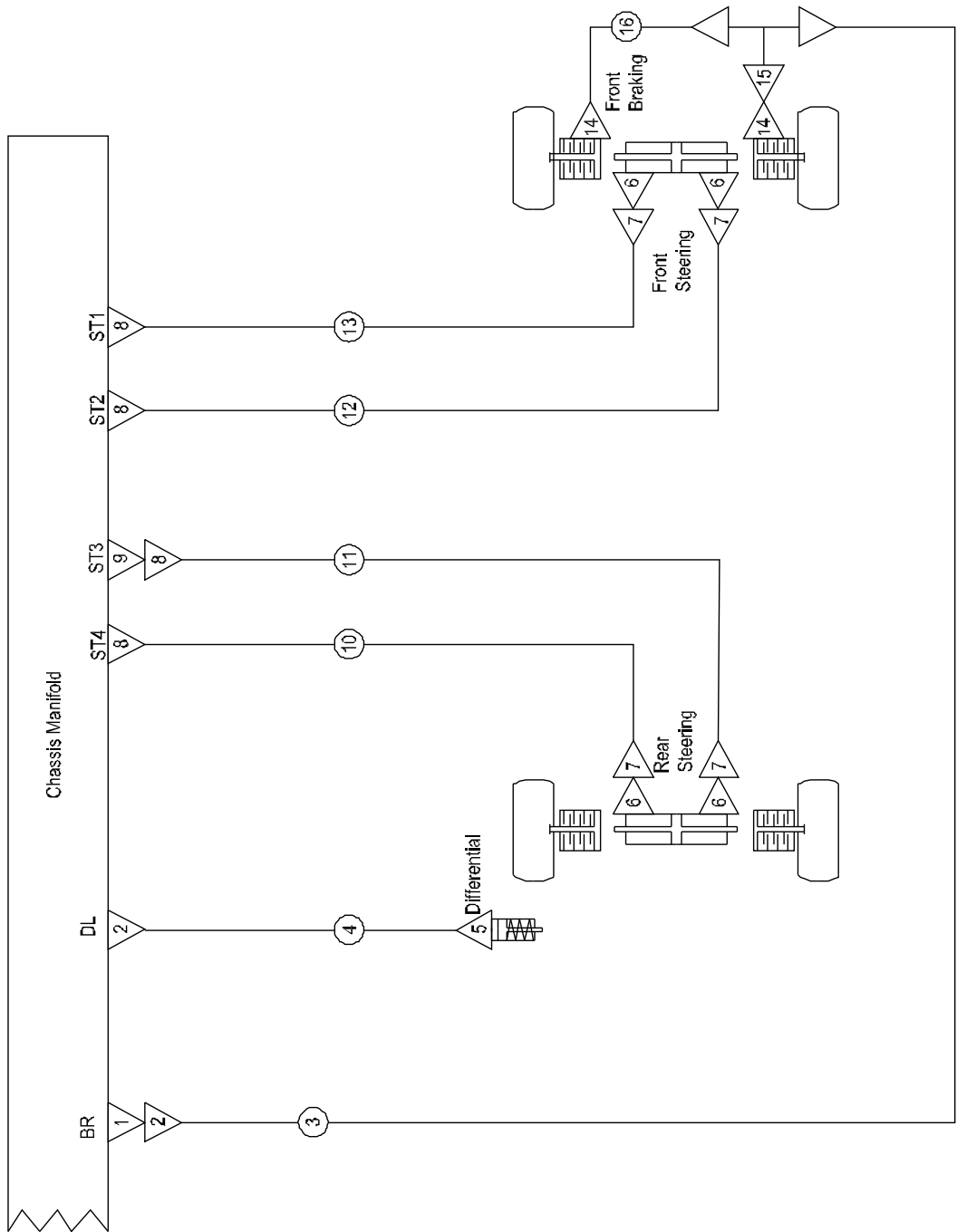
Item	Part Number	Description	Qty.	Remark
52	00001114	Plug	3	
53	00001505	Fitting, Straight	1	
54	00001239	Fitting, Tee	4	
55	92048897	Hose Assembly	1	
56	92058377	Hose Assembly	1	
57	92056647	Hose Assembly	1	
58	00001262	Fitting, Straight	2	
59	00001836	Fitting, 90°	1	
60	00001269	Fitting, Straight	1	
61	00001273	Fitting, Straight	1	
62	92058379	Steel tube	1	
63	00001512	Fitting, Straight	2	
64	00005592	Fitting, Straight	1	
65	00004930	Fitting, 90°	1	
66	92008919	Check Valve	1	
67	92100900	Hose Assembly	1	
68	92056633	Hose Assembly	2	
--	90003624	SAE Flange Fitting FS-16	4	
--	92048916	O-Ring	4	
--	00000814	Flat Washer GB/T 97.1 12	16	
--	00000815	Spring Washer GB/T 93 12	16	
--	00001055	Bolt GB/T 5783 M12 × 40	16	
69				Not used
70	00001290	Fitting, Straight	2	
71	92048887	Hose Assembly	1	
72	92048889	Hose Assembly	1	
--	90003625	SAE Flange Fitting FL-12	1	
--	92048924	O-Ring	1	
--	00000615	Flat GB/T 97.1 10	4	

**6-2 Chassis Circuit 1 (Stage V) (Continued)**

Item	Part Number	Description	Qty.	Remark
--	00000679	Spring Washer GB/T 93 10	4	
--	00000683	Bolt GB/T 5783 M10 × 30	4	
73	90010542	Flange Fitting, 90°	1	
--	00000621	Spring Washer GB/T 93 6	4	
--	00000774	Screw GB/T 70 M6 × 20	2	
--	00001042	Screw GB/T 70 M6 × 30	2	
74	00006486	Fitting, 45°	1	
75	00003963	Fitting, Straight	2	
76	00001842	Fitting, 90°	1	
77	00001238	Fitting, Tee	2	
78	00006503	Test Adapter	1	
79	92048856	Hose Assembly	1	
80	92048973	Hose Assembly	1	
81	92030383	Hose Assembly	1	

6-3 Chassis Circuit 2

LEGEND
 FITTING
 HOSE ASSEMBLY
 TEST ADAPTER
 CHECK VALVE
 CLAMP

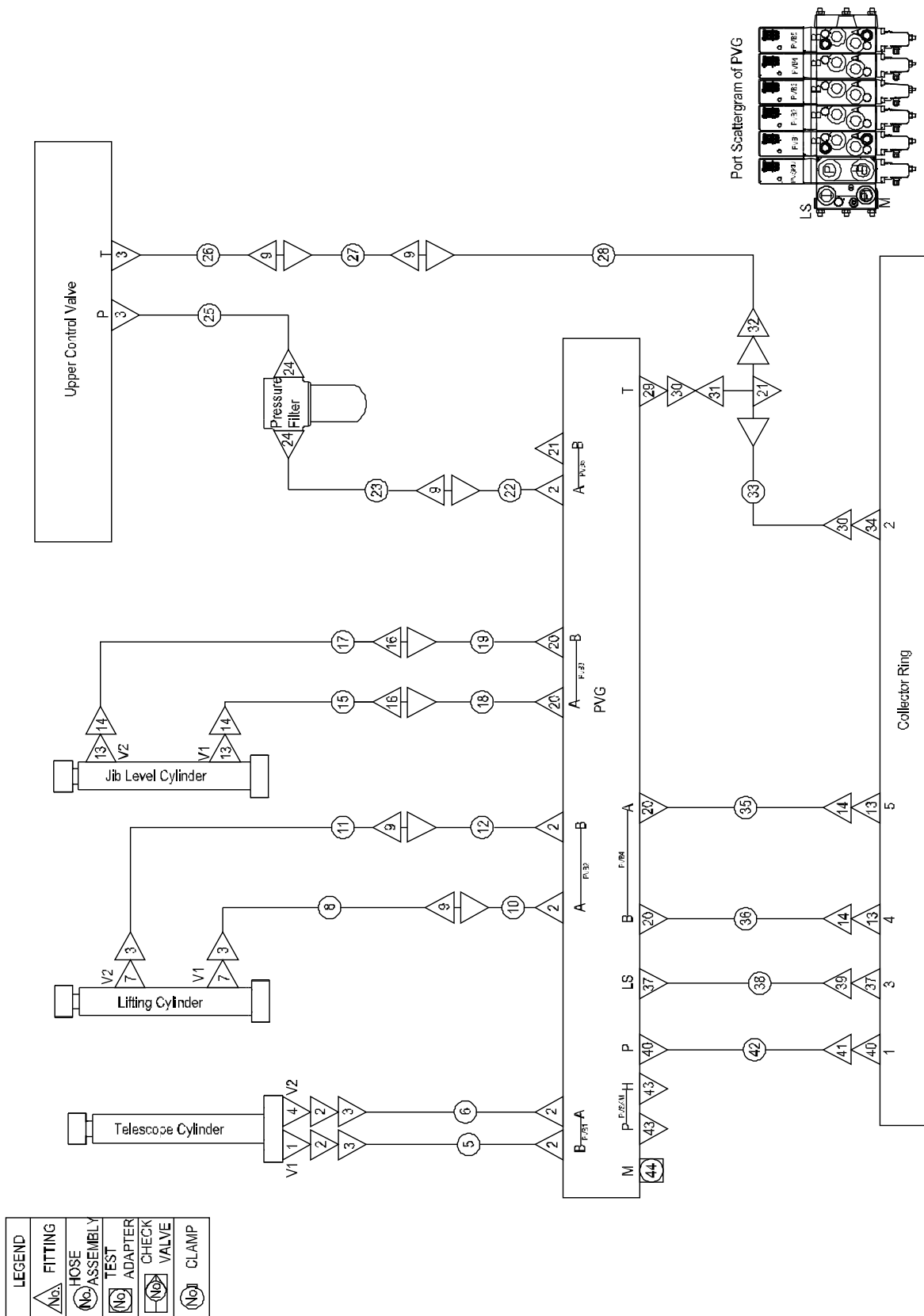


**6-3 Chassis Circuit 2**

Item	Part Number	Description	Qty.	Remark
1	92048451	Customized Fitting	1	
2	00001318	Fitting, Straight	2	
3	50004024	Hose Assembly	1	
4	92056657	Hose Assembly	1	
5	00006461	Fitting, Straight	1	
6	00001262	Fitting, Straight	4	
7	00001834	Fitting, 90°	4	
8	00001501	Fitting, Straight	4	
9	92048866	Customized Fitting	1	
10	92056650	Hose Assembly	1	
11	92056651	Hose Assembly	1	
12	92056654	Hose Assembly	1	
13	92056655	Hose Assembly	1	
14	00006461	Fitting, Straight	2	
15	00002119	Fitting, Tee	1	
16	92048876	Hose Assembly	1	



### 6-4 Turntable Circuit



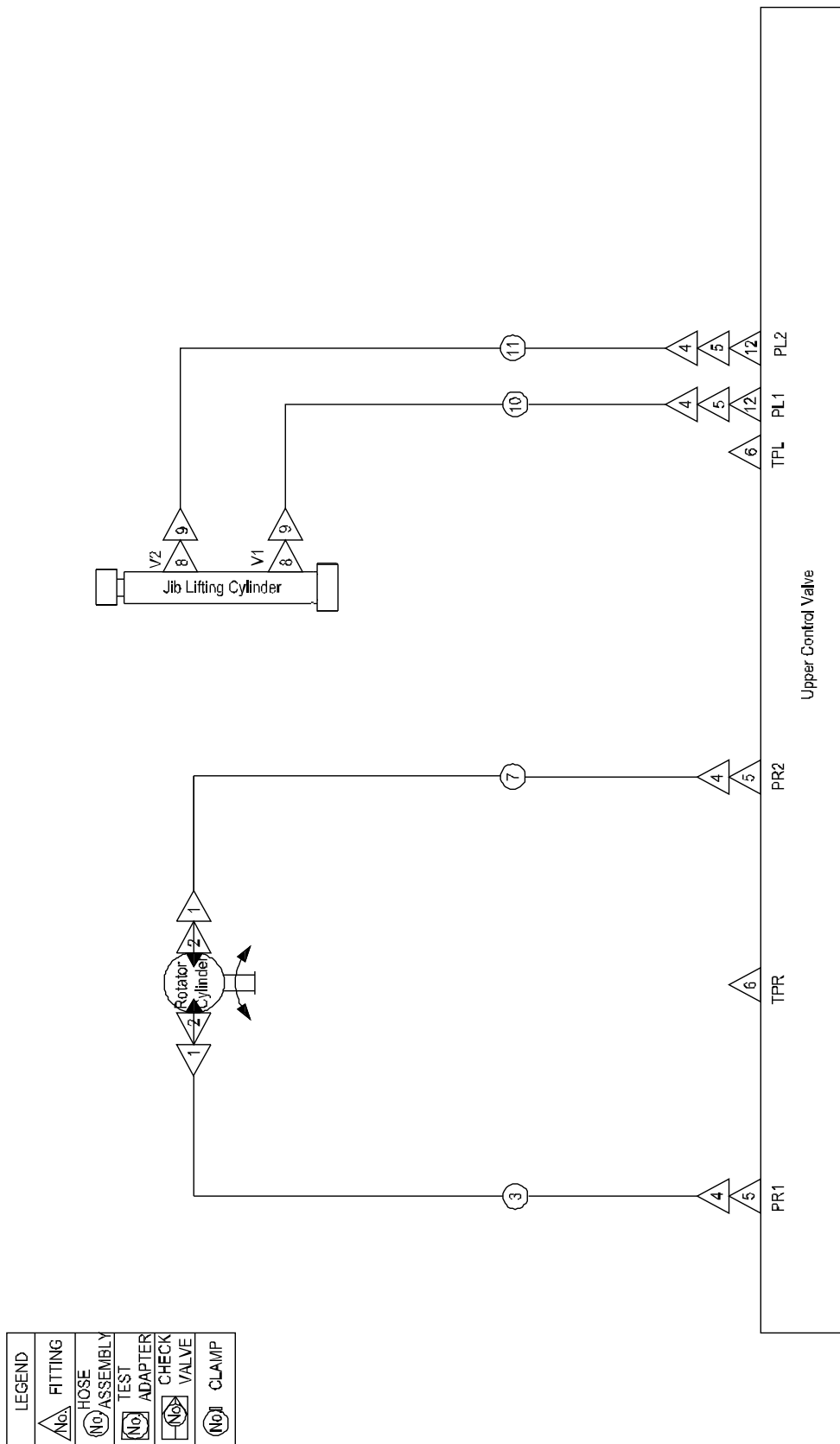
**6-4 Turntable Circuit**

Item	Part Number	Description	Qty.	Remark
1	92048595	Customized Fitting	1	
2	00001506	Fitting, Straight	7	
3	00001835	Fitting, 90°	6	
4	92048618	Customized Fitting	1	
5	92056700	Hose Assembly	1	
6	92056701	Hose Assembly	1	
7	00001507	Fitting, Straight	2	
8	92056709	Hose Assembly	1	
9	00002138	Fitting, Bulkhead, Straight	5	
10	92056698	Hose Assembly	1	
11	92056710	Hose Assembly	1	
12	92056699	Hose Assembly	1	
13	00001501	Fitting, Straight	4	
14	00001834	Fitting, 90°	4	
15	92056717	Hose Assembly	1	
16	00002137	Fitting, Bulkhead, Straight	2	
17	92056717	Hose Assembly	1	
18	92056696	Hose Assembly	1	
19	92056697	Hose Assembly	1	
20	00001504	Fitting, Straight	4	
21	00001114	Plug	2	
22	92056694	Hose Assembly	1	
23	92056715	Hose Assembly	1	
24	00002069	Fitting, Straight	2	
25	92048942	Hose Assembly	1	BT22RT
	92101378	Hose Assembly	1	BT22BRT
26	92048940	Hose Assembly	1	BT22RT
	92101377	Hose Assembly	1	BT22BRT
27	92100881	Hose Assembly	1	

**6-4 Turntable Circuit (Continued)**

Item	Part Number	Description	Qty.	Remark
28	92056695	Hose Assembly	1	
29	00007661	Fitting, Straight	1	
30	00001837	Fitting, 90°	2	
31	92056713	Steel hose assembly	1	
32	00001509	Fitting, Straight	1	
33	92056704	Hose Assembly	1	
34	00001728	Fitting, Straight	1	
35	92056702	Hose Assembly	1	
36	92056703	Hose Assembly	1	
37	00001318	Fitting, Straight	2	
38	92056706	Hose Assembly	1	
39	00001833	Fitting, 90°	1	
40	00001747	Fitting, Straight	2	
41	00001842	Fitting, 90°	1	
42	92056705	Hose Assembly	1	
43	00001115	Plug	2	
44	00006505	Test Adapter	1	

6-5 JIB Circuit

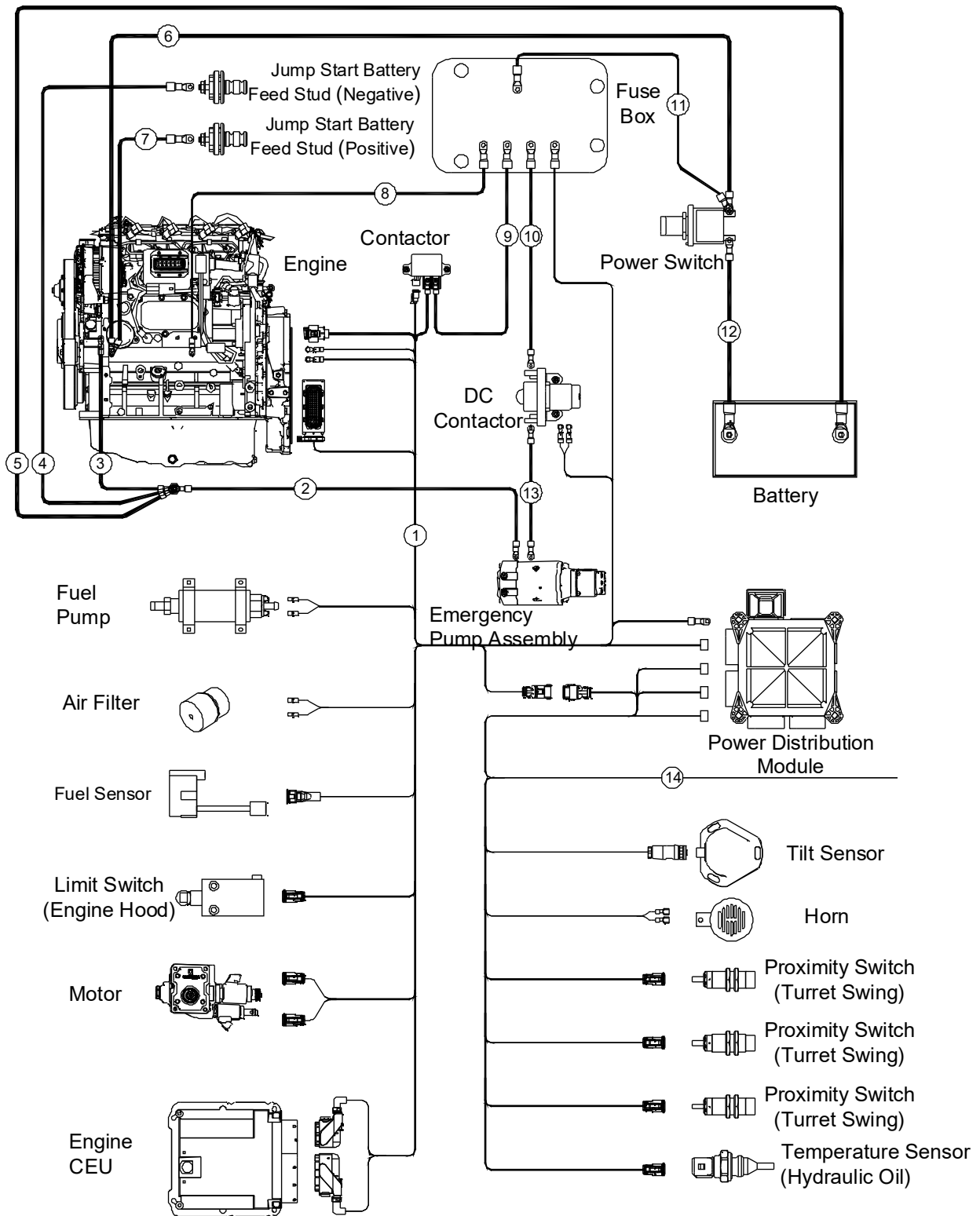


**6-5 JIB Circuit**

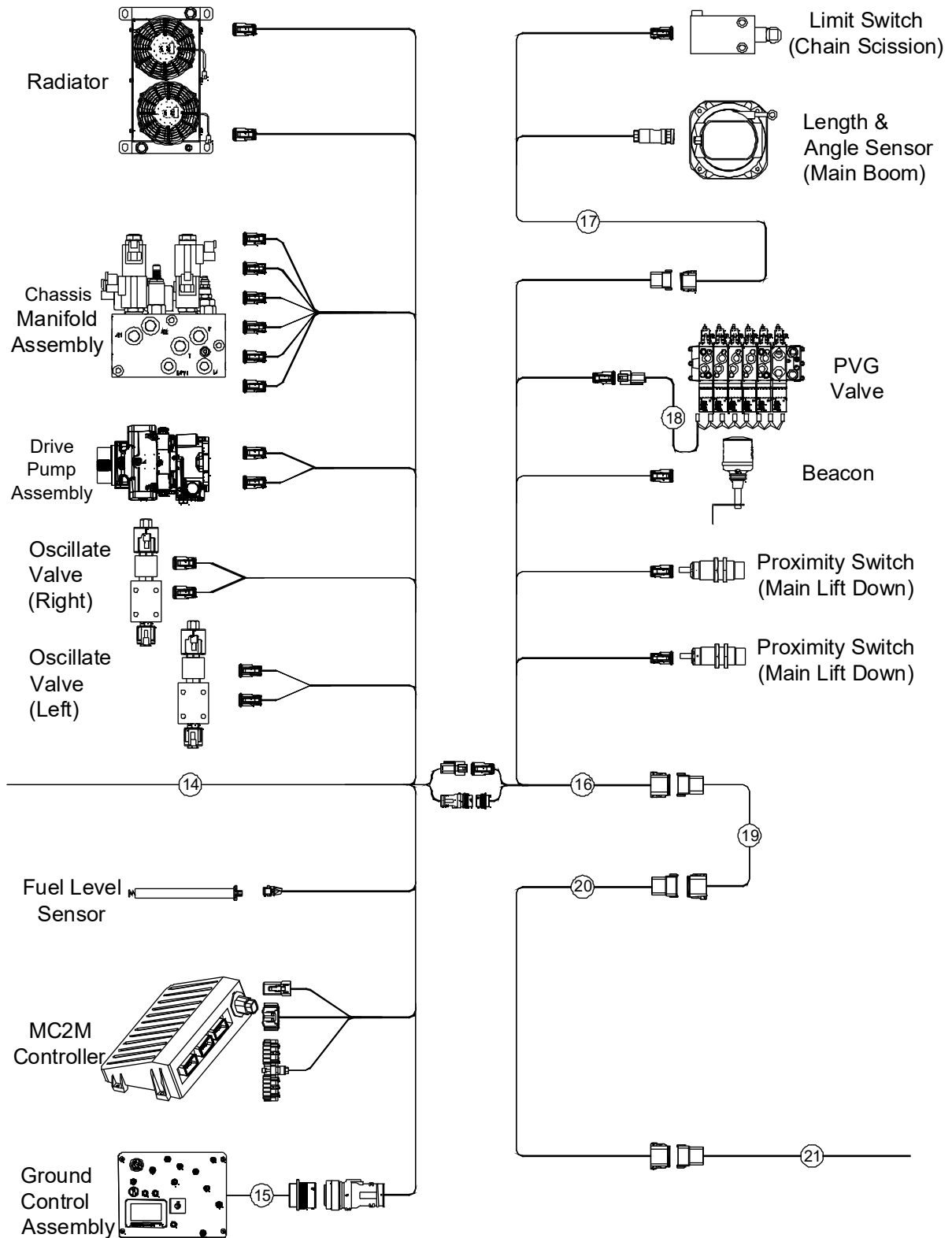
Item	Part Number	Description	Qty.	Remark
1	00001833	Fitting, 90°	2	
2	00001770	Fitting, Straight	2	
3	92048957	Hose Assembly	1	
4	00001833	Fitting, 90°	4	
5	00001318	Fitting, Straight	4	
6	00001111	Plug	2	
7	92048953	Hose Assembly	1	
8	92048866	Customized Fitting	2	
9	00001499	Fitting, Straight	2	
10	92048951	Hose Assembly	1	
11	92048946	Hose Assembly	1	
12	92048451	Customized Fitting	2	

# Section 7 Electrical System

7-1 Electrical Harness - COBO Controller

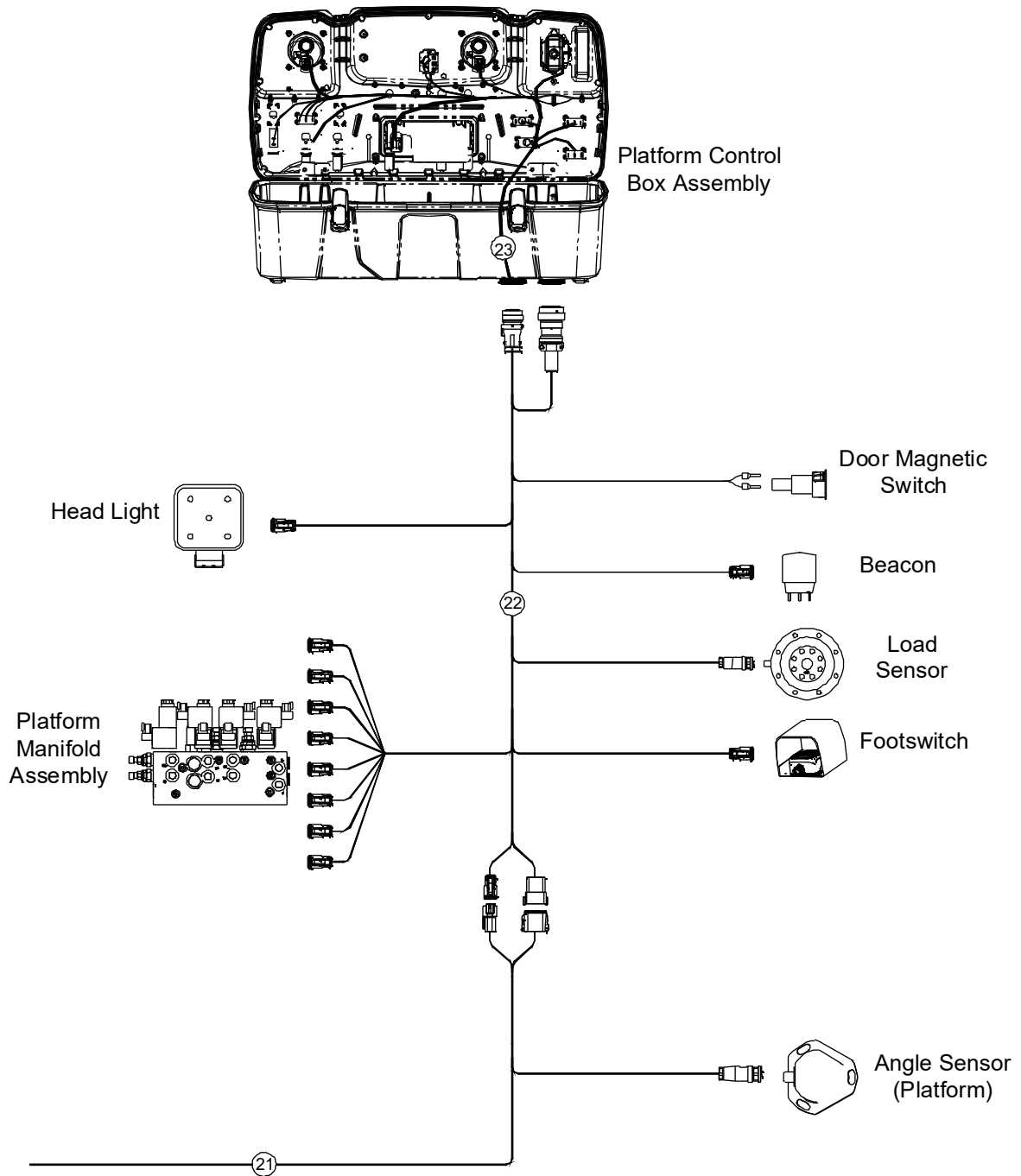


7-1 Electrical Harness - COBO Controller (Continued)





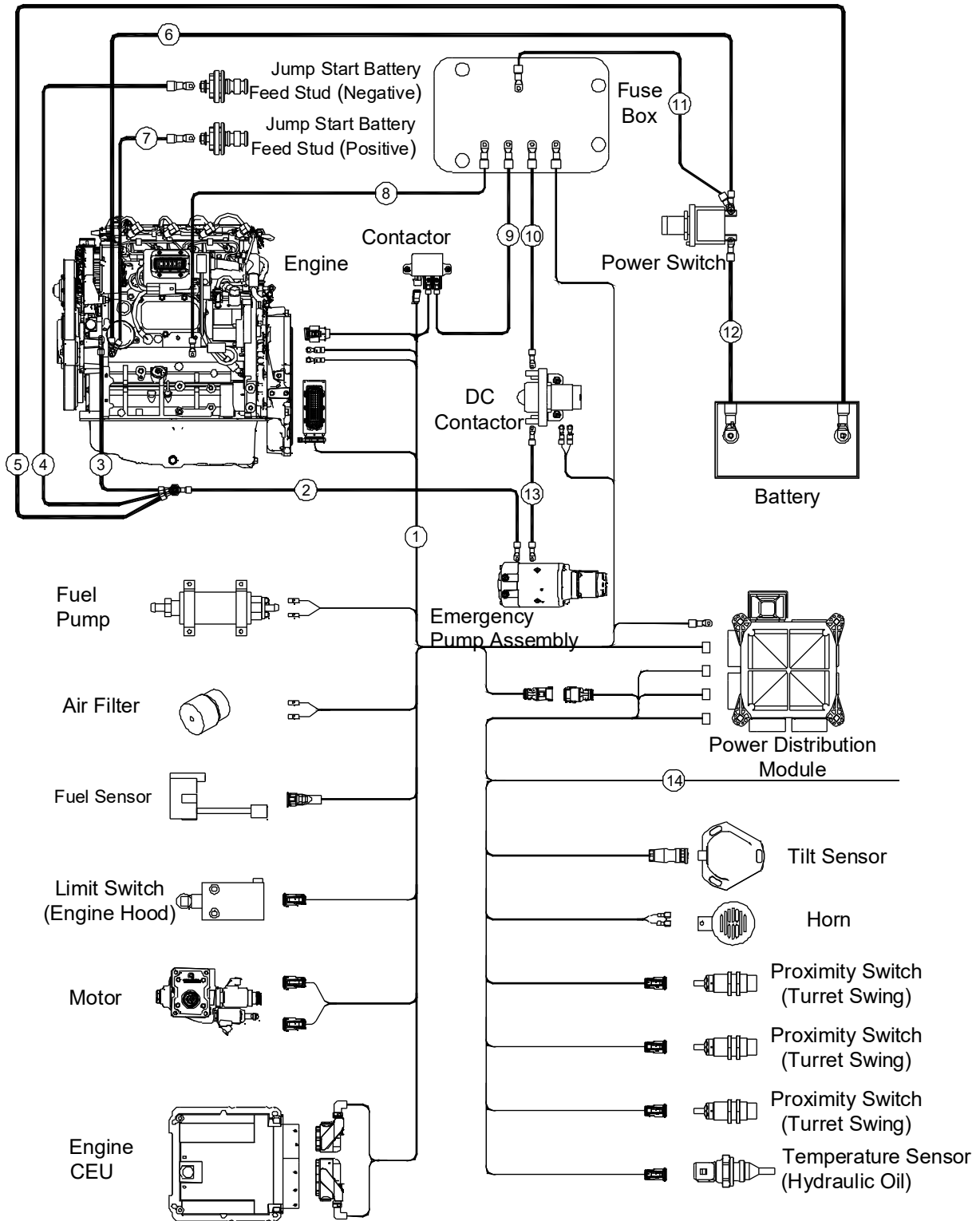
### 7-1 Electrical Harness - COBO Controller (Continued)



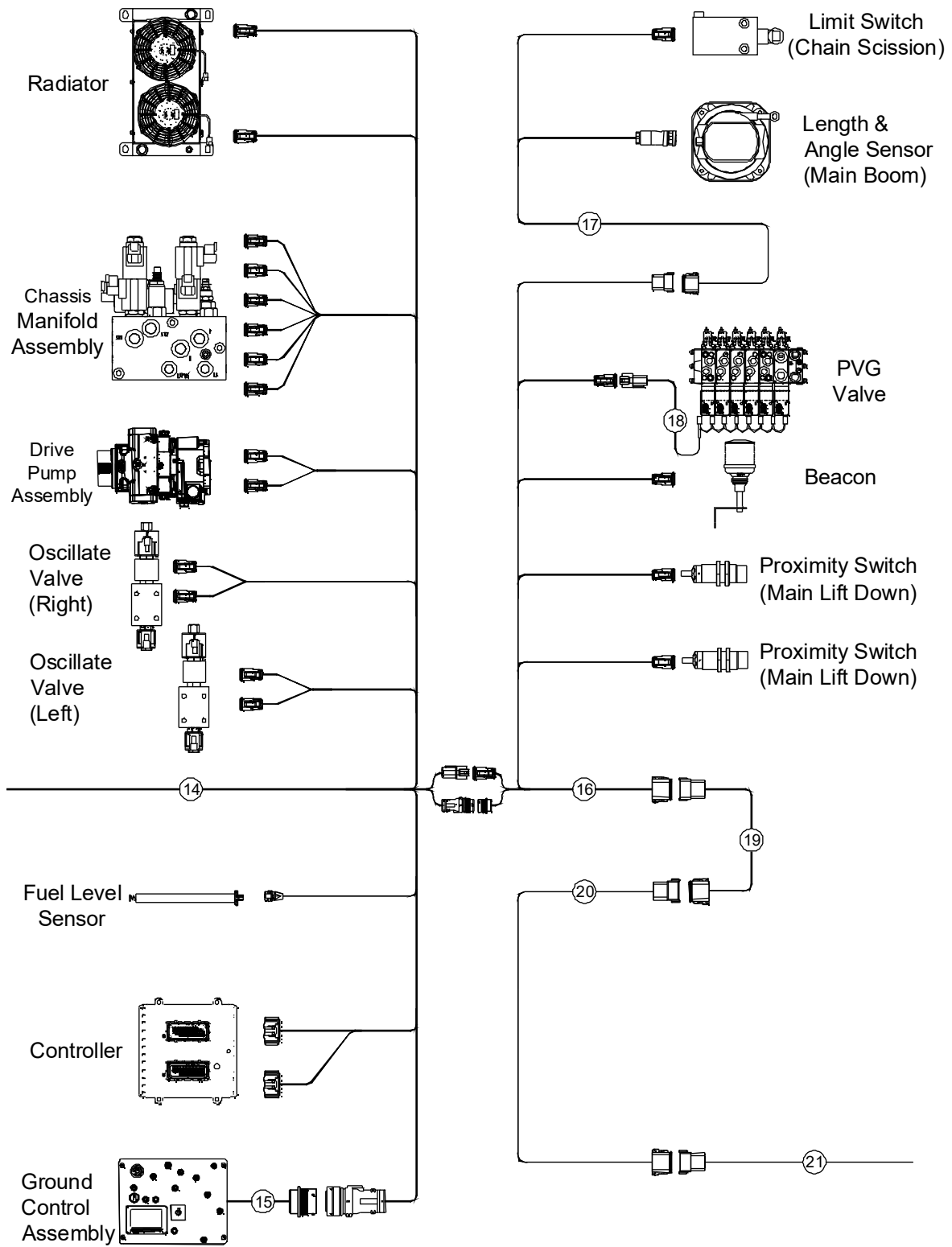
**7-1 Electrical Harness - COBO Controller**

Item	Part Number	Description	Qty.	Remark
1	00005483	Engine Harness	1	Stage IV
2	00005487	Emergency Pump Negative Harness	1	
3	00005350	Engine Negative Harness	1	
4	00005366	Emergency Power Negative Harness	1	
5	00005486	Battery Negative Harness	1	
6	00005367	Start Motor Harness	1	
7	00005351	Emergency Power Positive Harness	1	
8	00005484	Alternator Harness	1	
9	00005359	Preheat Contactor Harness	1	
10	00005485	Emergency Pump Contactor Harness	1	
11	00005368	Fuse Box Power Harness	1	
12	00005365	Battery Positive Harness	1	
13	00005357	Emergency Pump Positive Harness	1	
14	00008122	Chassis Harness	1	
15	00005340	Ground Control Plane Harness	1	
16	00008123	Turret Harness	1	
17	00005483	Engine Harness	1	
18	92010012	PVG Valve Harness	1	Standard
	00008113	PVG-1939 CANBUS Resistance	1	Optional
	00008114	PVG-1939 Harness	5	
	00008115	PVG-1939 Power Harness	1	
19	00005476	Main Boom Harness	1	
20	00005477	Telescopic Main Boom Harness	1	
21	00005360	Jib Harness	1	
22	00005341	Platform Harness	1	
23	00005339	Platform Control Box Harness	1	

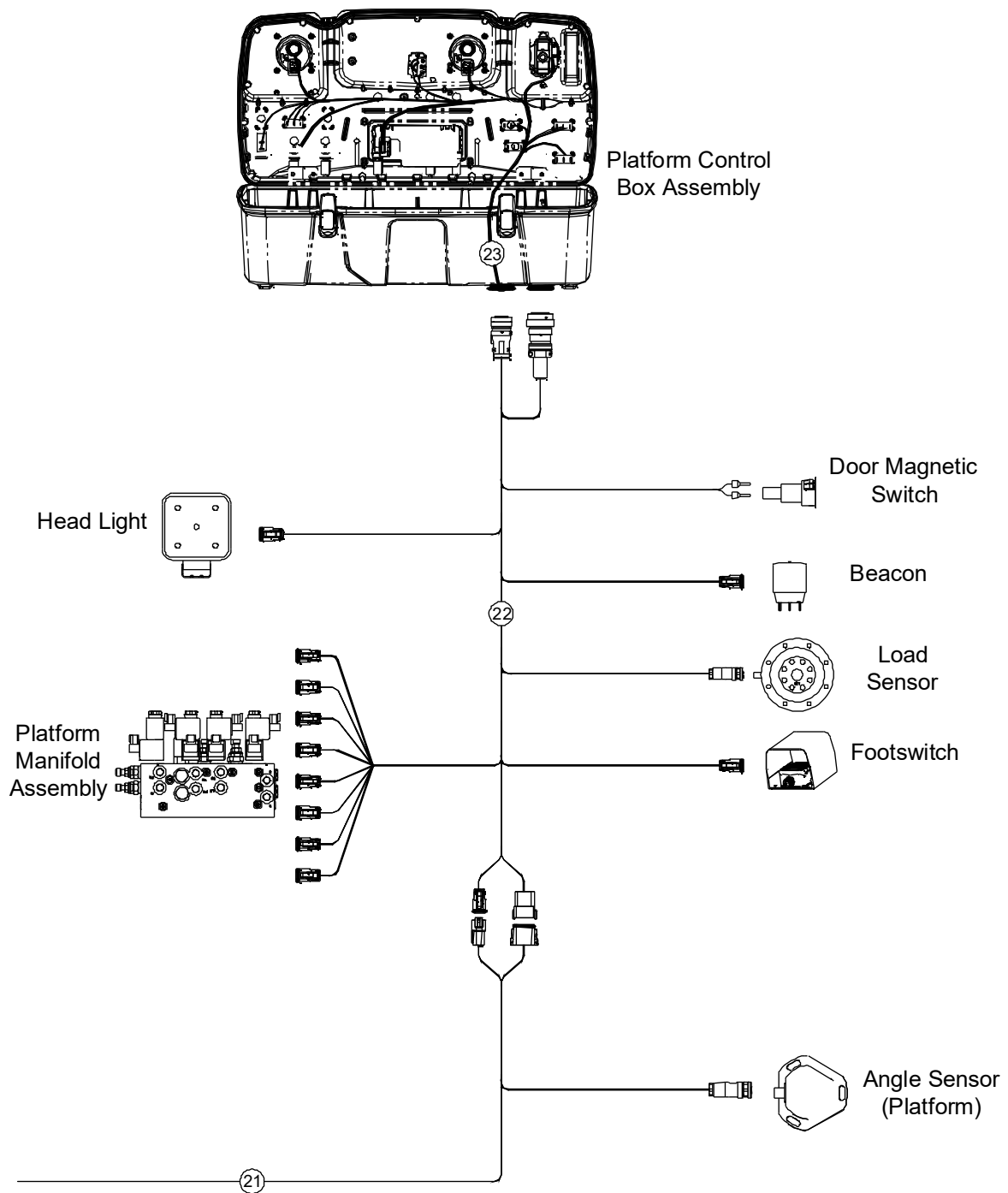
7-2 Electrical Harness-Parker Controller



### 7-2 Electrical Harness-Parker Controller (Continued)



### 7-2 Electrical Harness-Parker Controller (Continued)



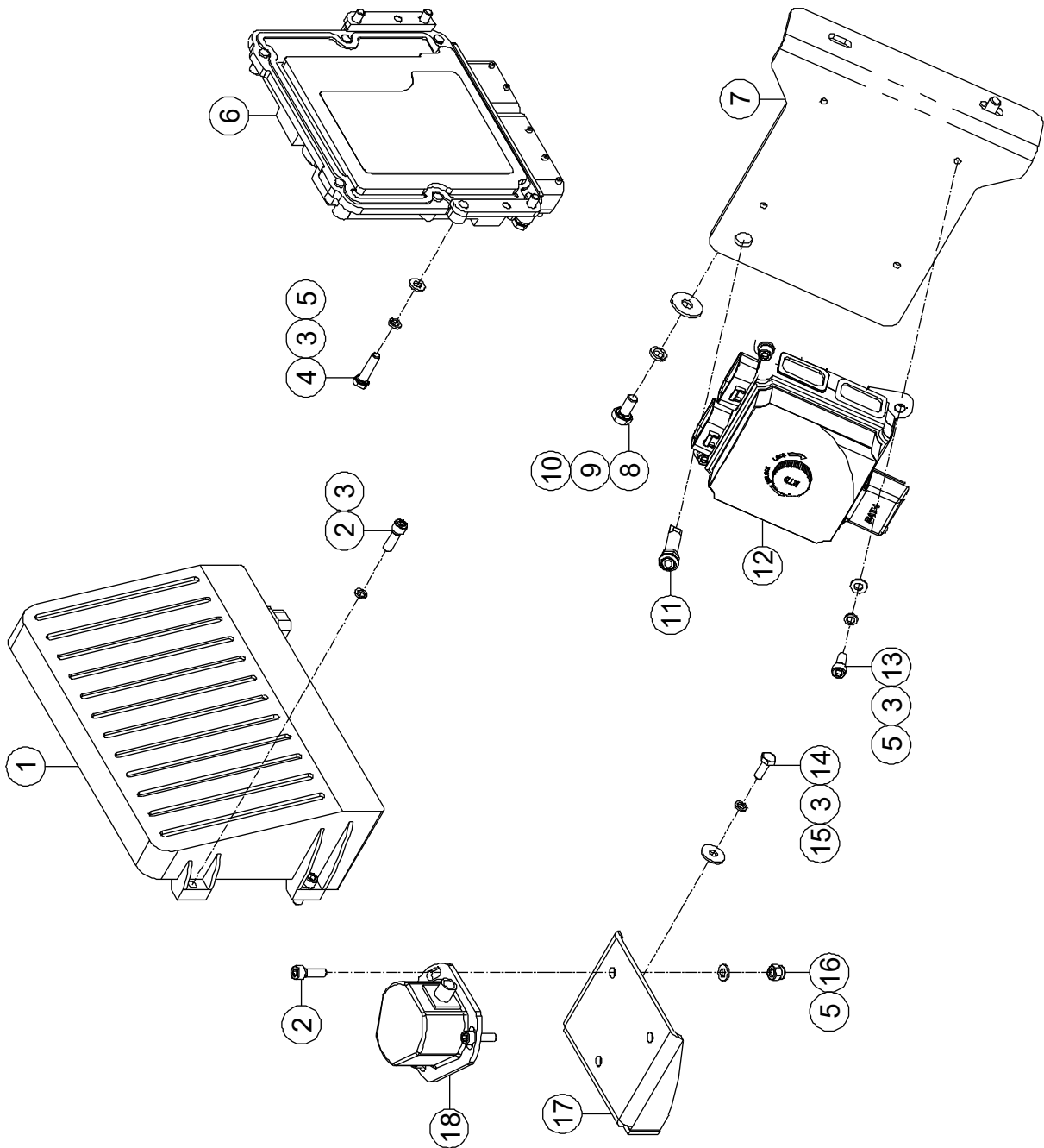
**7-2 Electrical Harness-Parker Controller**

Item	Part Number	Description	Qty.	Remark
1	00005483	Engine Harness	1	Stage IV
	00006244	Engine Harness	1	Stage V
2	00005487	Emergency Pump Negative Harness	1	Stage IV
	00009238	Emergency Pump Negative Harness	1	Stage V
3	00005350	Engine Negative Harness	1	Stage IV
	00009239	Engine Negative Harness	1	Stage V
4	00005366	Emergency Power Negative Harness	1	
5	00005486	Battery Negative Harness	1	
6	00005367	Start Motor Harness	1	
7	00005351	Emergency Power Positive Harness	1	
8	00005484	Alternator Harness	1	
9	00005359	Preheat Contactor Harness	1	
10	00005485	Emergency Pump Contactor Harness	1	Stage IV
	00009286	Emergency Pump Contactor Harness	1	Stage V
11	00005368	Fuse Box Power Harness	1	
12	00005365	Battery Positive Harness	1	
13	00005357	Emergency Pump Positive Harness	1	
14	00008552	Chassis Harness	1	Stage IV
	00009287	Chassis Harness	1	Stage V
15	00008555	Ground Control Plane Harness	1	
16	00008551	Turret Harness	1	
17	00005370	Sensor Harness	1	
18	92010012	PVG Valve Harness	1	Standard
	00008113	PVG-1939 CANBUS Resistance	1	Optional
	00008114	PVG-1939 Harness	5	
	00008115	PVG-1939 Power Harness	1	
19	00005476	Main Boom Harness	1	
20	00005477	Telescopic Main Boom Harness	1	
21	00005360	Jib Harness	1	

**7-2 Electrical Harness-Parker Controller (Continued)**

<b>Item</b>	<b>Part Number</b>	<b>Description</b>	<b>Qty.</b>	<b>Remark</b>
22	00008553	Platform Harness	1	
23	00008554	Platform Control Box Harness	1	

### 7-3 Electrical Installations - COBO Controller

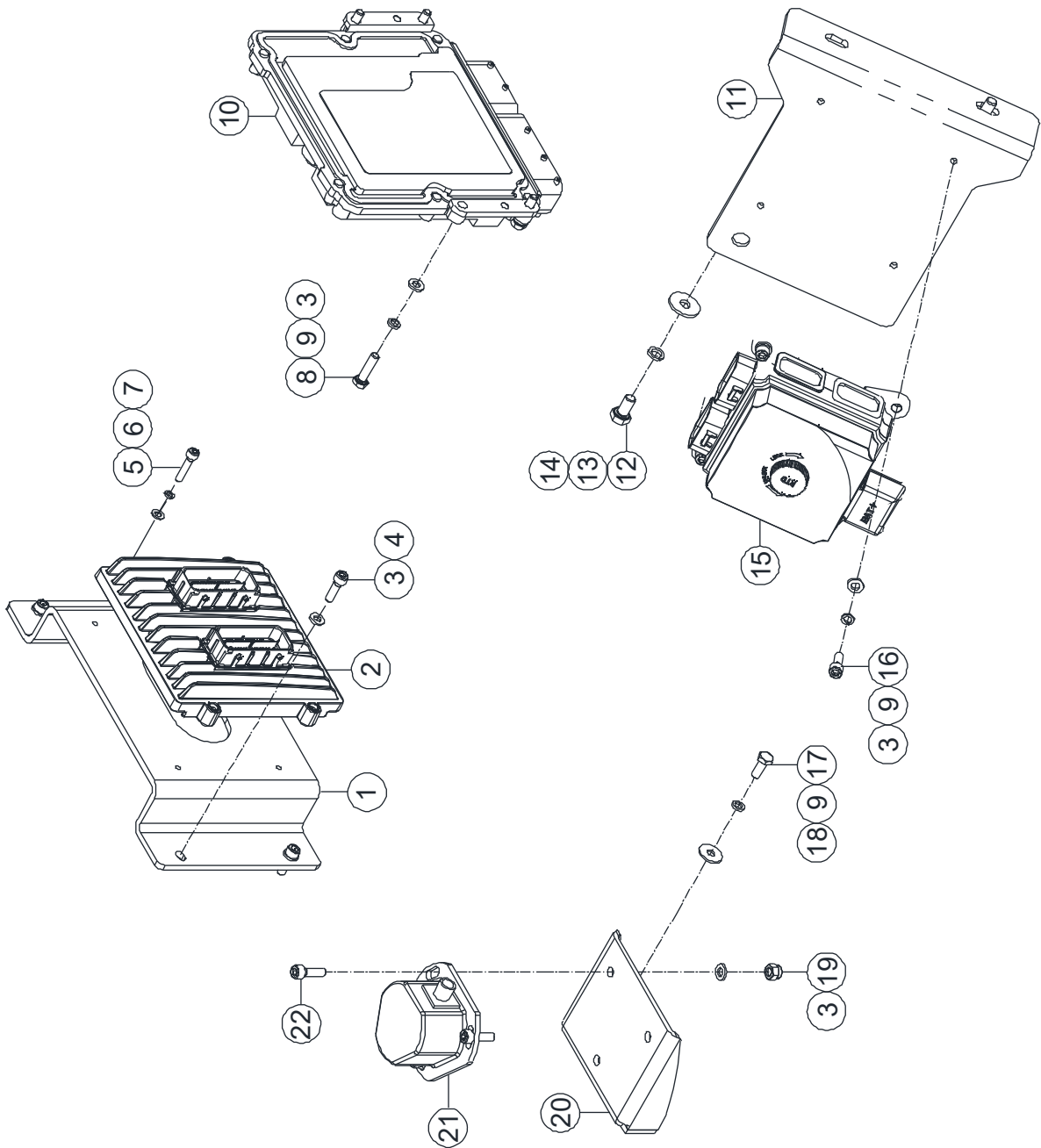




**7-3 Electrical Installations - COBO Controller**

Item	Part Number	Description	Qty.	Remark
1	00000639	MC2M Controller	1	
--	85000002	MC2M Controller (CANOPEN PVG Valve)	1	
--	85000004	MC2M Controller (J1939 PVG Valve)	1	
2	00000774	Screw GB/T 70 M6 × 20	7	
3	00000621	Spring Washer GB/T 93 6	14	
4	00000619	Bolt GB/T 5783 M6 × 25	4	
5	00000620	Flat Washer GB/T 97.1 6	11	
6	92029394	Engine ECU	1	
7	92100027	Support	1	
8	00001063	Bolt GB/T 5783 M8 × 16	2	
9	00000609	Spring Washer GB/T 93 8	2	
10	00002000	Flat Washer GB/T 96.1 8	2	
11	00003161	Lamp, Green	1	
12	00006155	Power Distribution Module ( <i>Refer to 7-5</i> )	1	
13	00000876	Screw GB/T 70 M6 × 16	4	
14	00000818	Bolt GB/T 5783 M6 × 16	2	
15	00002583	Flat Washer GB/T 96.1 6	2	
16	00001033	Nut GB/T 6182 M6	3	
17	92049041	Support	1	
18	00002610	Tilt Sensor	1	Standard, single channel
	00002917	Tilt Sensor	1	Optional, dual channel

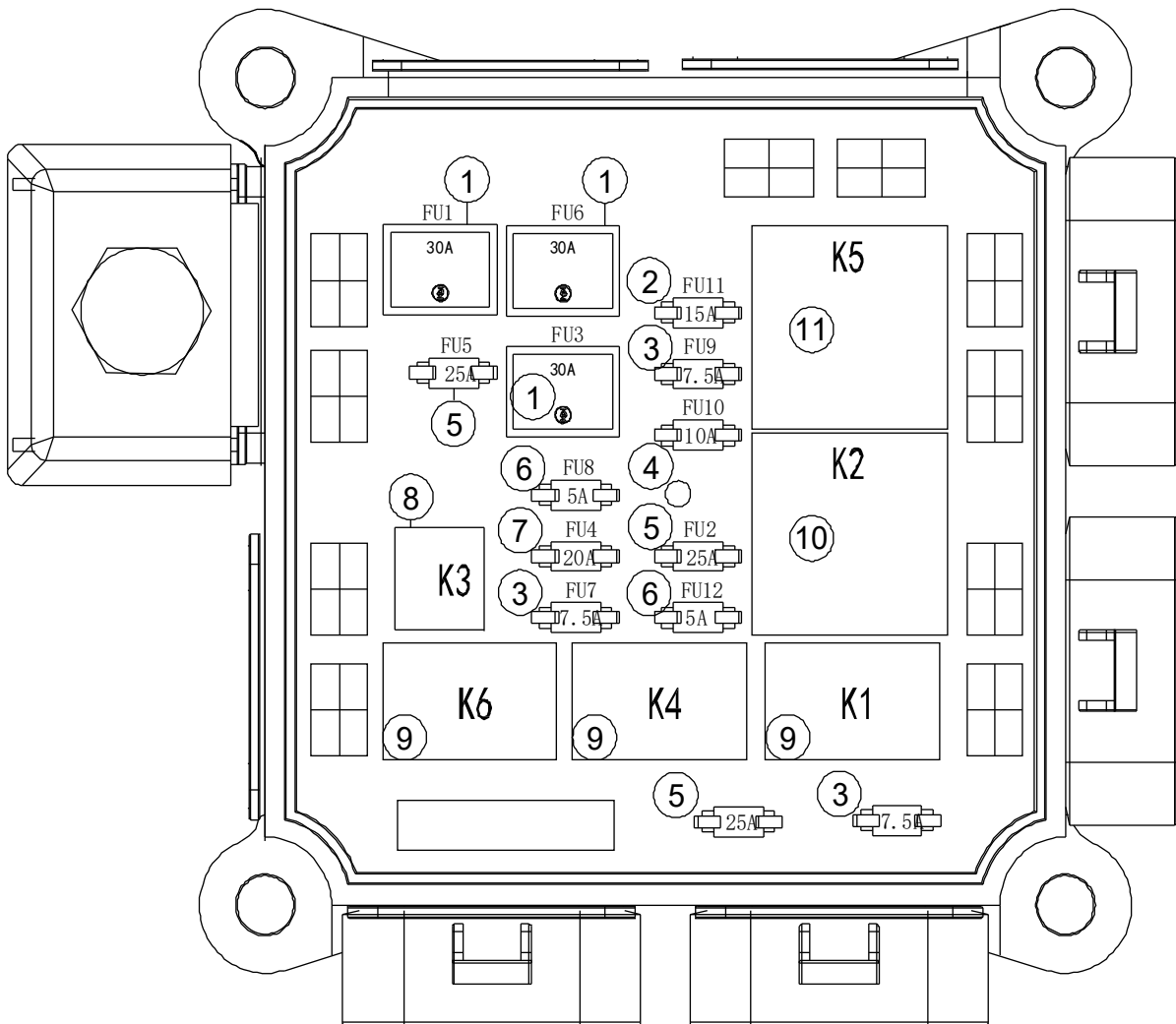
### 7-4 Electrical Installations -Parker Controller



**7-4 Electrical Installations -Parker Controller**

Item	Part Number	Description	Qty.	Remark
1	92101205	Support,Controller	1	
2	00008699	Controller	1	
--	85000076	Controller (J1939 PVG Valve)	1	BT22RT
--	85000155	Controller (J1939 PVG Valve)	1	BT22BRT
3	00000620	Flat Washer GB/T 97.1 6	15	
4	00000774	Screw GB/T 70 M6 × 20	7	
5	00000605	Flat Washer GB/T 97.1 5	4	
6	00000606	Spring Washer GB/T 93 5	4	
7	00002484	Screw GB/T 70 M5 × 25	4	
8	00000619	Bolt GB/T 5783 M6 × 25	4	
9	00000621	Spring Washer GB/T 93 6	10	
10	92029394	Engine ECU	1	
11	92100027	Support	1	
12	00001063	Bolt GB/T 5783 M8 × 16	2	
13	00000609	Spring Washer GB/T 93 8	2	
14	00002000	Flat Washer GB/T 96.1 8	2	
15	00006155	Power Distribution Module ( <i>Refer to 7-5</i> )	1	
16	00000876	Screw GB/T 70 M6 × 16	4	
17	00000818	Bolt GB/T 5783 M6 × 16	2	
18	00002583	Flat Washer GB/T 96.1 6	2	
19	00001033	Nut GB/T 6182 M6	3	
20	92049041	Support	1	
21	00002610	Tilt Sensor	1	Standard.single channel
	00002917	Tilt Sensor	1	Optional,dual channel
22	00000774	Screw GB/T 70 M6 × 20	3	

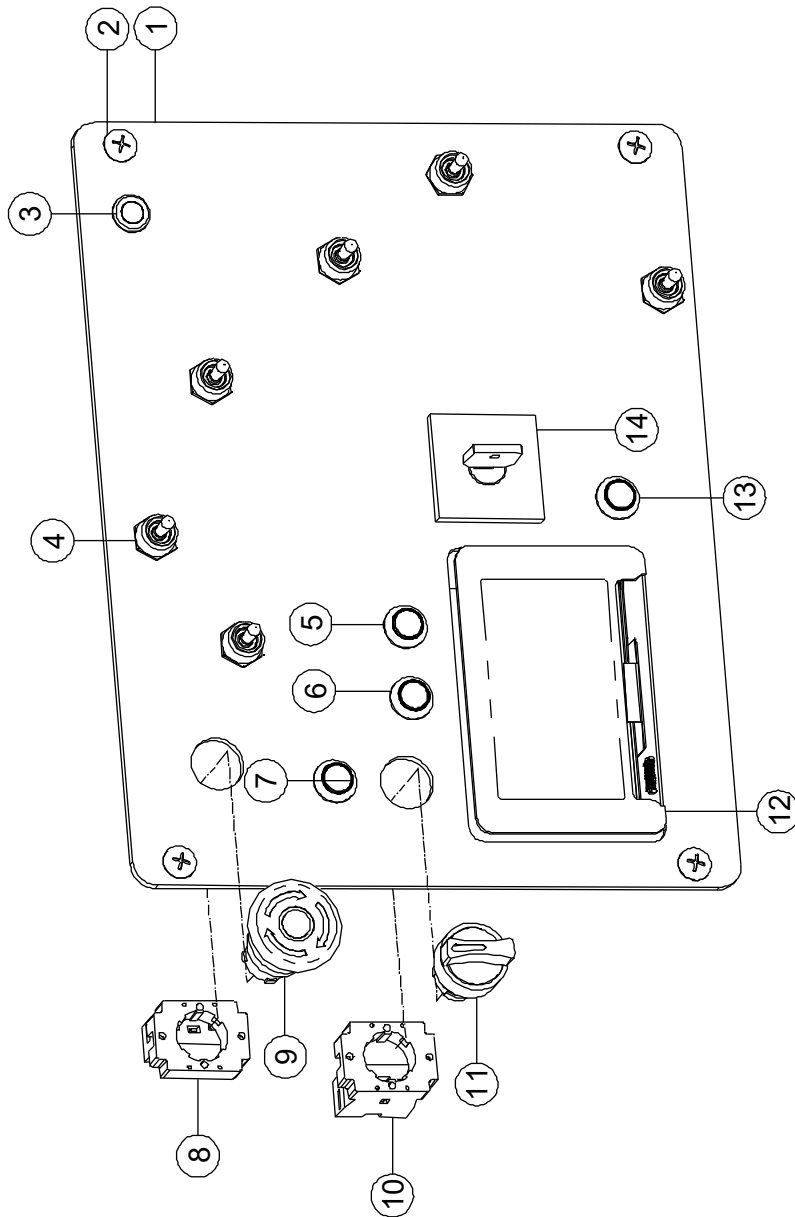
### 7-5 Power Distribution Module



**7-5 Power Distribution Module**

Item	Part Number	Description	Qty.	Remark
1	00010918	Fuse 30A	3	
2	00010916	Fuse 15A	1	
3	00010914	Fuse 7.5A	3	
4	00010915	Fuse 10A	1	
5	00010930	Fuse 25A	2	
6	00010913	Fuse 5A	2	
7	00010917	Fuse 20A	1	
8	00010921	Relay	1	
9	00010919	Relay	3	
10	00010920	Relay	1	
11	00010922	Relay	1	

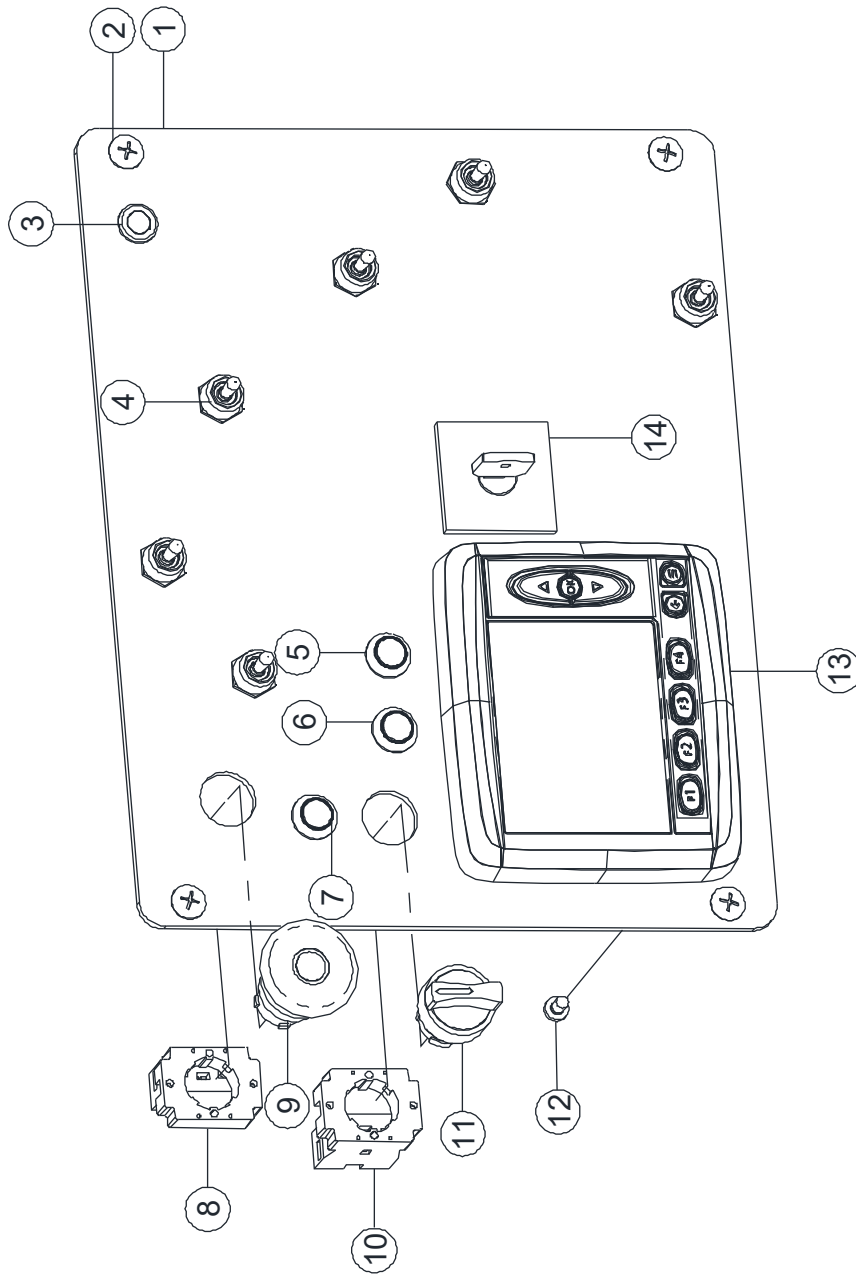
7-6 Ground Control Panel Assembly - COBO Controller



**7-6 Ground Control Panel Assembly - COBO Controller**

Item	Part Number	Description	Qty.	Remark
1	92049388	Panel	1	
2	00001018	Screw GB/T 973 M6×14	4	
3	00003162	Indicator, Red	1	
4	00006135	Switch, Toggle	6	
5	00006138	Push Button, Green	1	
6	00006154	Push Button, Red	1	
7	00006137	Push Button, Red	1	
8	00000752	Base With 1 NC Contact	1	
9	00000754	Red Mushroom Head	1	
10	00002346	Base With 1 NO Contact	1	
11	00002566	Select Switch Head	1	
12	00002914	Display	1	
--	85000064	Display (CANOPEN PVG Valve)	1	
--	85000065	Display (J1939 PVG Valve)	1	
13	00006139	Push Button, Yellow	1	
14	00006133	Key Switch	1	

7-7 Ground Control Panel Assembly - Parker Controller

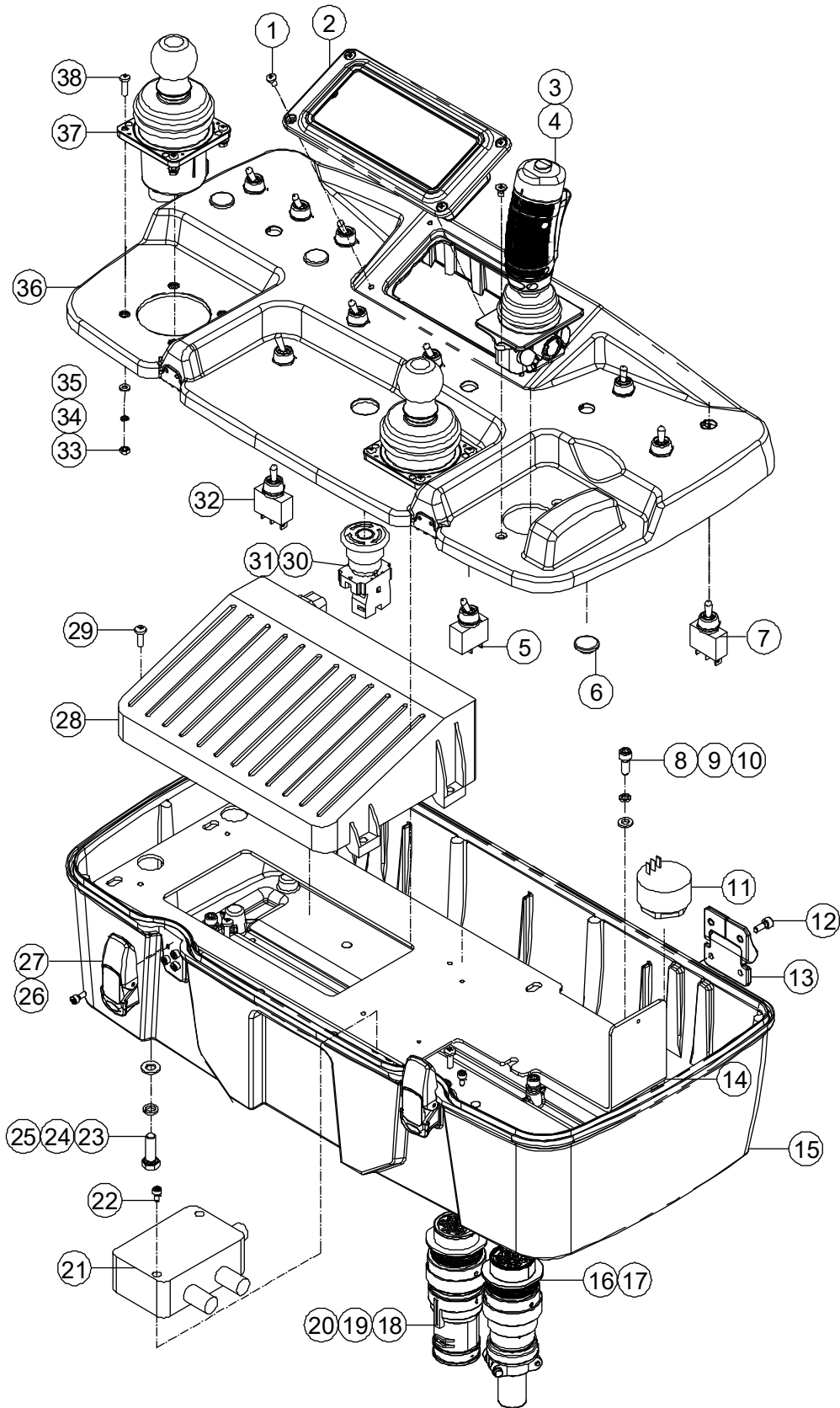




**7-7 Ground Control Panel Assembly - Parker Controller**

Item	Part Number	Description	Qty.	Remark
1	92101211	Panel	1	
2	00001018	Screw GB/T 973 M6×14	4	
3	00003162	Indicator, Red	1	
4	00006135	Switch, Toggle	6	
5	00006138	Push Button, Green	1	
6	00006154	Push Button, Red	1	
7	00006137	Push Button, Red	1	
8	00000752	Base With 1 NC Contact	1	
9	00000754	Red Mushroom Head	1	
10	00002346	Base With 1 NO Contact	1	
11	00002566	Select Switch Head	1	
12	00002391	Screw GB/T 818 M5 × 8-H	4	
13	85000094	Display	1	
14	00006133	Key Switch	1	

### 7-8 Platform Control Box Assembly - COBO Controller



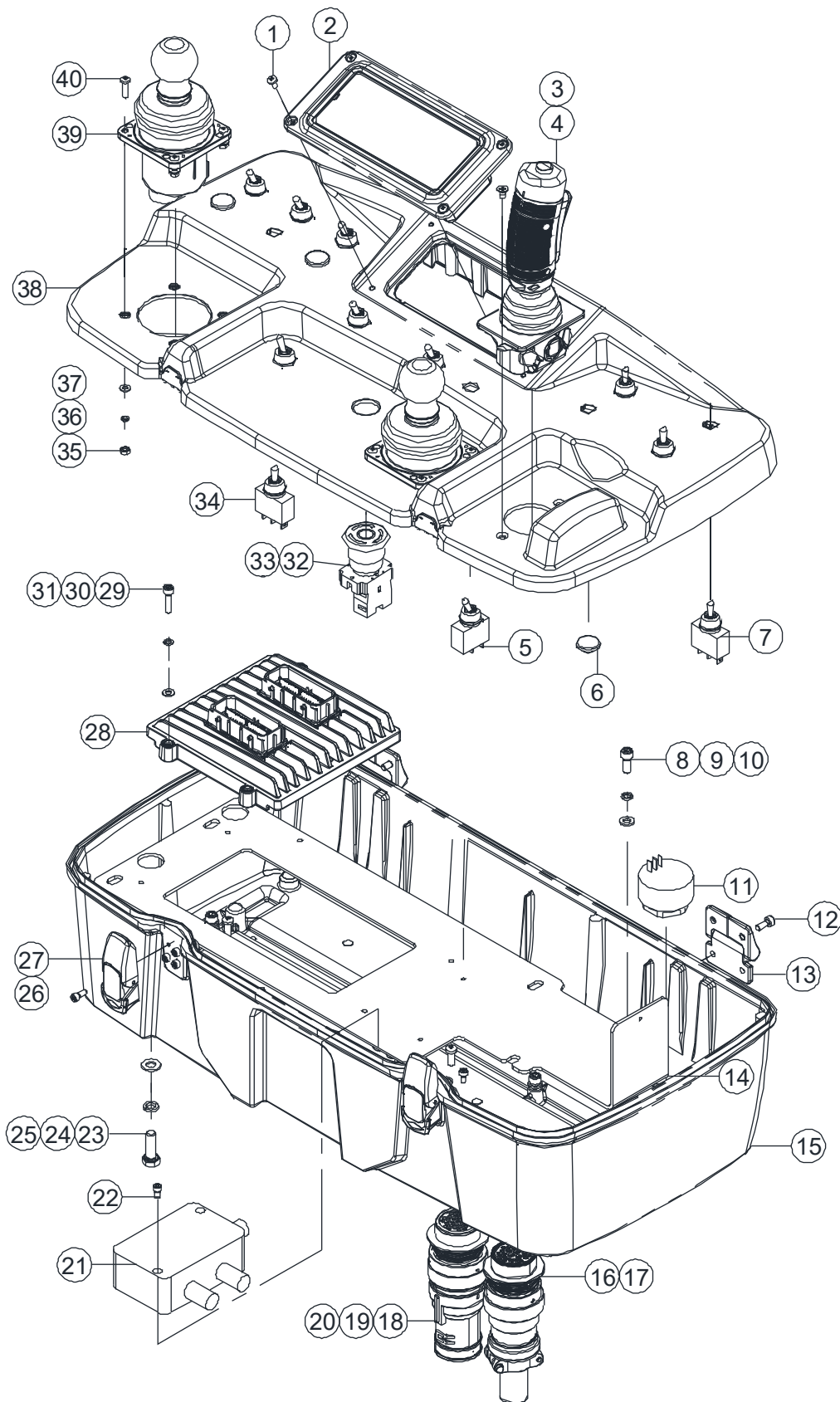
**7-8 Platform Control Box Assembly - COBO Controller**

Item	Part Number	Description	Qty.	Remark
1	00002333	Screw GB/T 818 M4 × 8 - H	4	
2	00005395	LED Panel	1	
3	00005459	Screw GB/T 819 M5 × 8 - H	2	
4	00005393	Joystick (Steer & Drive)	1	
5	00006134	Switch, Toggle	7	
6	00000667	Plug, Toggle Switch	3	
7	00005401	Switch, Toggle	2	
8	00000876	Screw GB/T 70 M6 × 16	5	
9	00000621	Spring Washer GB/T 93 6	5	
10	00000620	Flat Washer GB/T 97.1 6	5	
11	00002326	Alarm	1	
12	00001252	Screw GB/T 70 M5 × 12	8	
13	00005391	Hinge	2	
14	92000094	Bracket	1	
15	92000092	Platform Control Box	1	
16	00005396	Housing for Male Terminals	1	
17	00005398	Housing for Female Terminals	1	
18	00004693	Back Shell	1	
19	00005399	Housing for Female Terminals	1	
20	00005397	Housing for Male Terminals	1	
21	00003164	Load Sensor Amplifier	1	
22	00001987	Screw GB/T 70 M4 × 8	2	
23	00000993	Bolt GB/T 5783 M8 × 25	4	
24	00000609	Spring Washer GB/T 93 6	4	
25	00000608	Flat Washer GB/T 97.1 6	4	
26	00002002	Screw GB/T 70 M4 × 10	8	
27	00005392	Latch	2	
28	00000639	MC2M Controller	1	
--	85000001	MC2M Controller (CANOPEN PVG Valve)	1	

**7-8 Platform Control Box Assembly - COBO Controller (Continued)**

Item	Part Number	Description	Qty.	Remark
--	85000011	MC2M Controller (J1939 PVG Valve)	1	
29	00002313	Screw GB/T 818 M5 × 14 - H	4	
30	00000752	Base With 1 NC Contact	1	
31	00000754	Red Mushroom Head	1	
32	00006135	Switch, Toggle	2	
33	00002712	Nut GB/T 6170 M4	8	
34	00000779	Spring Washer GB/T 93 4	8	
35	00000778	Flat Washer GB/T 97.1 4	8	
36	92000093	Cover, Platform Control Box	1	
37	00005394	Joystick	2	
38	00001232	Screw GB/T 818 M4 × 16 - H	8	

### 7-9 Platform Control Box Assembly - Parker Controller



**7-9 Platform Control Box Assembly - Parker Controller**

Item	Part Number	Description	Qty.	Remark
1	00002333	Screw GB/T 818 M4 × 8 - H	4	
2	00005395	LED Panel	1	
3	00005459	Screw GB/T 819 M5 × 8 - H	2	
4	00005393	Joystick (Steer & Drive)	1	
5	00006134	Switch, Toggle	7	
6	00000667	Plug, Toggle Switch	3	
7	00005401	Switch, Toggle	2	
8	00000876	Screw GB/T 70 M6 × 16	5	
9	00000621	Spring Washer GB/T 93 6	5	
10	00000620	Flat Washer GB/T 97.1 6	5	
11	00002326	Alarm	1	
12	00001252	Screw GB/T 70 M5 × 12	8	
13	00005391	Hinge	2	
14	92000094	Bracket	1	
15	92000092	Platform Control Box	1	
16	00005396	Housing for Male Terminals	1	
17	00005398	Housing for Female Terminals	1	
18	00004693	Back Shell	1	
19	00005399	Housing for Female Terminals	1	
20	00005397	Housing for Male Terminals	1	
21	00003164	Load Sensor Amplifier	1	
22	00001987	Screw GB/T 70 M4 × 8	2	
23	00000993	Bolt GB/T 5783 M8 × 25	4	
24	00000609	Spring Washer GB/T 93 6	4	
25	00000608	Flat Washer GB/T 97.1 6	4	
26	00002002	Screw GB/T 70 M4 × 10	8	
27	00005392	Latch	2	
28	85000075	Controller	1	
29	00000605	Flat Washer GB/T 97.1 5	4	

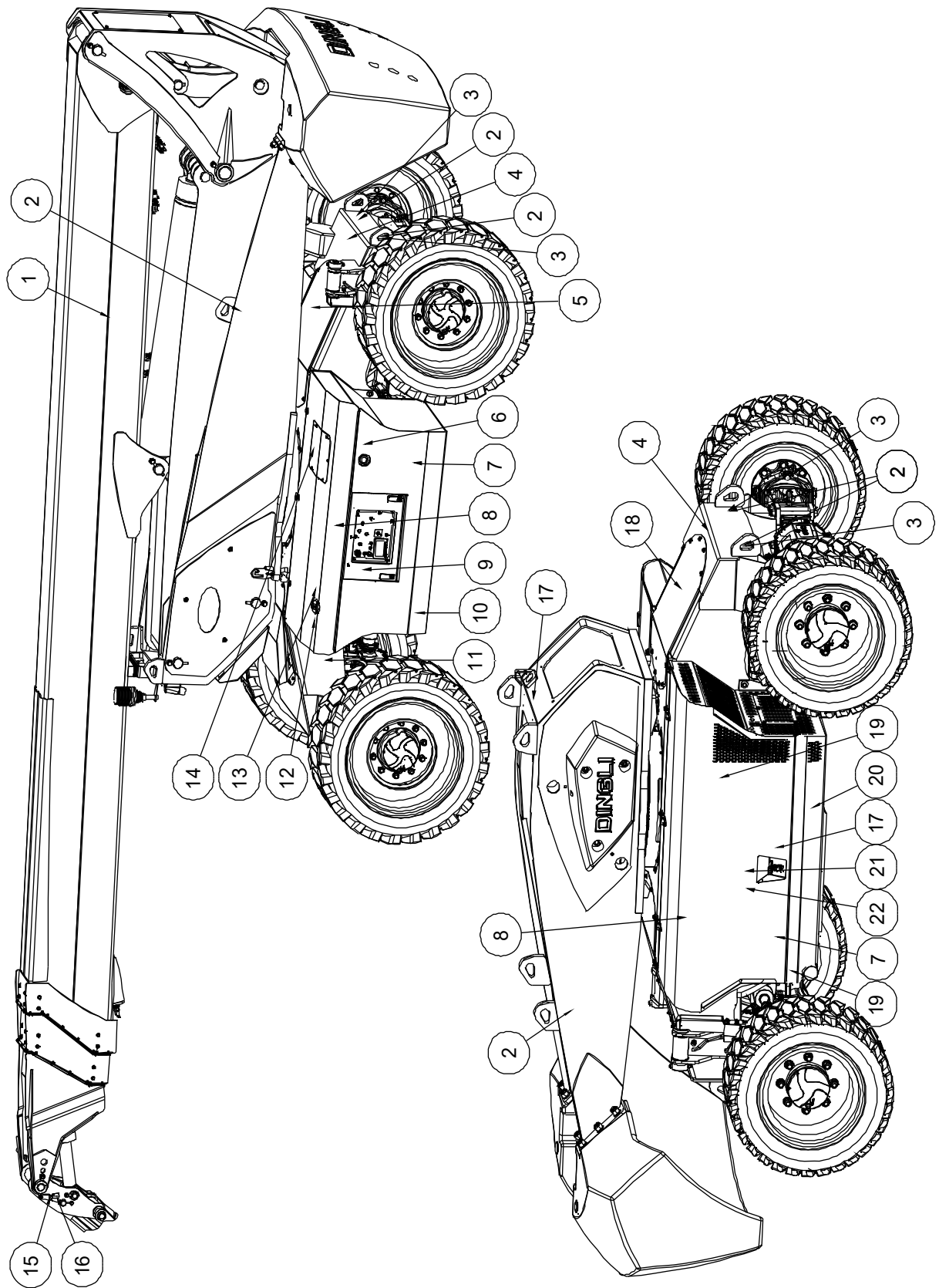
**7-9 Platform Control Box Assembly - Parker Controller (Continued)**

Item	Part Number	Description	Qty.	Remark
30	00000606	Spring Washer GB/T 93 5	4	
31	00000817	Screw GB/T 70 M5 × 20	4	
32	00000752	Base With 1 NC Contact	1	
33	00000754	Red Mushroom Head	1	
34	00006135	Switch, Toggle	2	
35	00002712	Nut GB/T 6170 M4	8	
36	00000779	Spring Washer GB/T 93 4	8	
37	00000778	Flat Washer GB/T 97.1 4	8	
38	92000093	Cover, Platform Control Box	1	
39	00005394	Joystick	2	
40	00001232	Screw GB/T 818 M4 × 16 - H	8	

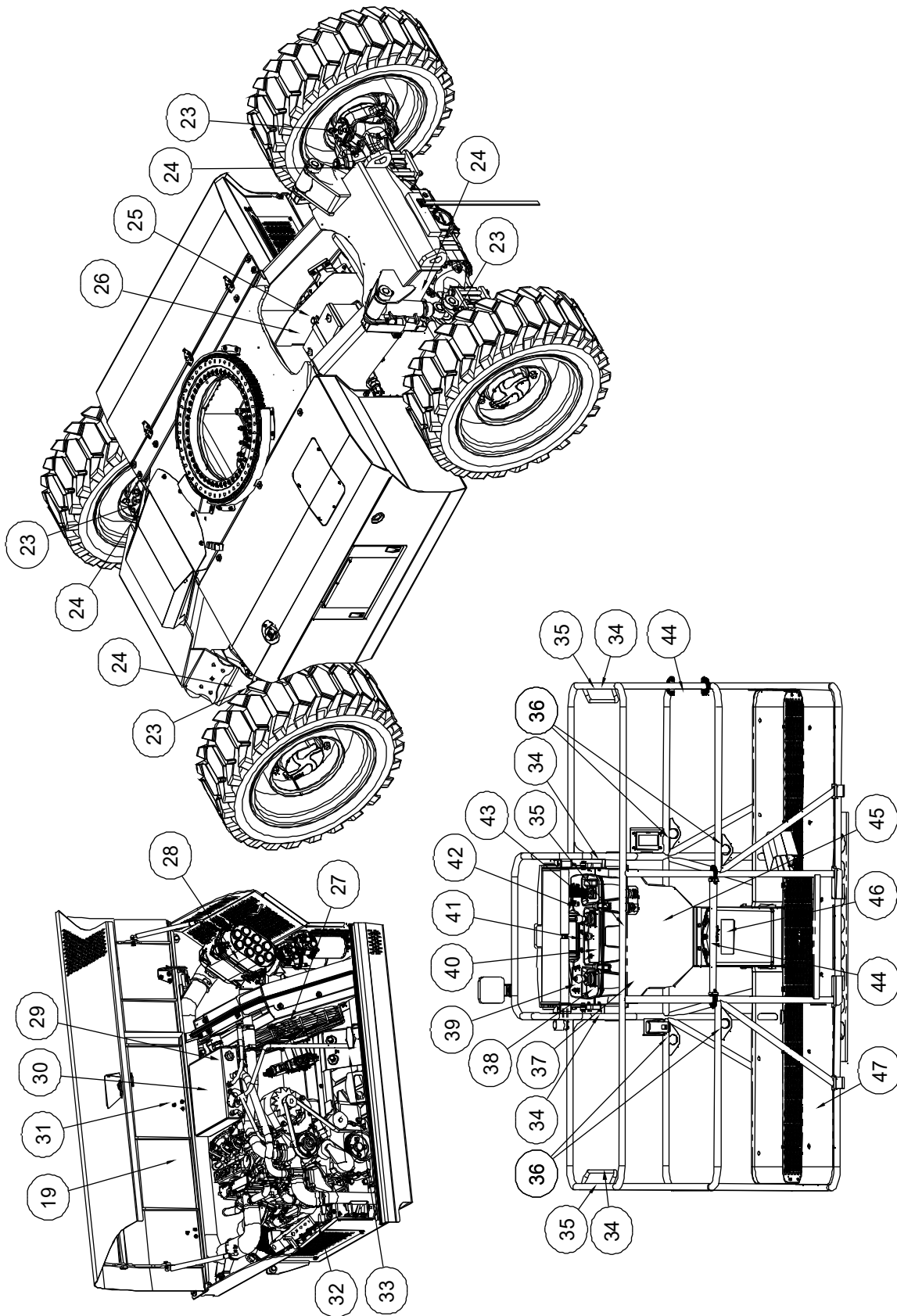
# Section 8 Decals



### 8-1 Decals Installations



### 8-1 Decals Installations (Continued)



**8-1 Decals Installations**

Item	Part Number	Description	Qty.	Remark
1	09630050	Decal, Label-BT22RT	1	BT22RT
	09630073	Decal, Label-BT22BRT	1	BT22BRT
2	09320014	Decal, Instructions-Lift point	6	
3	09310366	Decal, Instructions-Tie down point	4	
4	09410117	Decal, Symbols-Crushing hazard	2	
5	09310251	Decal, Instructions-Black arrow forward	1	
6	09310527	Decal, Notice-Check the hydraulic oil level	1	
7	09610034	Decal, Label-BT22RT	2	BT22RT
	09610065	Decal, Label-BT22BRT	2	BT22BRT
8	09910085	Decal, Label-22m	2	
9	09410151	Decal, Warning-Emergency system overriding	1	
10	09910035	Decal, Label-Cosmetic	1	
11	09310302	Decal, Instructions-Noise 104dB	1	
12	09310253	Decal, Instructions-Diesel	1	
13	09410156	Decal, Caution-Ultra low sulfur diesel fuel only	1	
14	09310252	Decal, Instructions-Hydraulic	1	
15	09330002	Decal, Instructions-Pendular arm	1	BT22RT
16	09330004	Decal, Instructions-Horizontal alignment	1	BT22RT
17	09410118	Decal, Symbols-Hand crushing hazard	2	
18	09310250	Decal, Instructions-White arrow reverse	1	
19	09410186	Decal, Symbols-High temperature	3	
20	09910034	Decal, Label-Cosmetic	1	
21	09310370	Decal, Instructions-Engine	1	
22	09410246	Decal, Symbols-Slope rating	1	
23	09310364	Decal, Instructions-Grease filling port	4	
24	09310213	Decal, Instructions-Maximum wheel load 6650kg	4	
25	09410138	Decal, Symbols-Explosion/burn hazard	1	

**8-1 Decals Installations (Continued)**

Item	Part Number	Description	Qty.	Remark
26	09410139	Decal, Symbols-Injection hazard	1	
27	09410120	Decal, Symbols-Cutting hazard	1	
28	09310254	Decal, Instructions-Air filter	1	
29	09310369	Decal, Notice-Filling antifreeze coolant notice	1	
30	09310368	Decal, Instructions-Antifreeze coolant	1	
31	09410123	Decal, Symbols-Pressurized liquids	1	
32	09410122	Decal, Symbols-Entangled hazard	1	
33	09310143	Decal, Notice-Main power switch operation	1	
34	09340070	Decal, Symbols-Non operating hand position	4	
35	09440212	Decal, Warning-Crushing hazard	3	
36	09340041	Decal, Label-Lanyard anchorage point	4	
37	09440332	Decal, Danger-Axle release hazard	1	
38	09140040	Decal, Platform control panel	1	
39	09140037	Decal, Platform control panel	1	
40	09140041	Decal, Platform control panel	1	
41	09140038	Decal, Platform control panel	1	
42	09140039	Decal, Platform control panel	1	
43	09140042	Decal, Platform control panel	1	
44	09340029	Decal, Instructions-Open/close	2	
45	09440338	Decal, Instructions-Work area	1	BT22RT
	09440454	Decal, Instructions-Work area	1	BT22BRT
46	09340026	Decal, Notice-Keep the manual with the machine	1	
47	09440187	Decal, Label-Capacity 454kg	1	BT22RT
	09440456	Decal, Label-Capacity 320/454kg	1	BT22BRT

8-1 Decals Installations (Continued)

① 09630050  
**BT22RT**

① 09630073  
**BT22BRT**

⑦ 09610034  
**BT22RT**

⑦ 09610065  
**BT22BRT**

⑧ 09910085  
**DINGLI 22m** **4x4x4** **CS**

⑩ 09910035

⑬ 09410156 **CAUTION**  
 ULTRA LOW SULFUR  
 DIESEL  
 FUEL ONLY

⑮ 09330002

⑰ 09410118

⑲ 09410186

⑳ 09910034

㉓ 09310364

㉕ 09410138

① 09630050  
 ② 09320014  
 ③ 09310366  
 ④ 09410117

① 09630073  
 ⑥ 09310527  
 ⑤ 09310251

⑦ 09610034  
 ⑪ 09310302

⑦ 09610065  
 ⑨ 09410151

⑧ 09910085  
 ⑫ 09310253

⑬ 09410156  
 ⑭ 09310252  
 ⑰ 09410118  
 ⑱ 09410186  
 ⑲ 09310250

⑮ 09330002  
 ⑯ 09330004  
 ㉑ 09310370

⑰ 09410118  
 ㉒ 09410246

⑲ 09410186  
 ㉔ 09310213

㉕ 09410138  
 ㉖ 09410139  
 ㉗ 09410120  
 ㉘ 09310254  
 ㉙ 09310369

8-1 Decals Installations (Continued)

(30) 09310368 (31) 09410123 (32) 09410122 (33) 09410143 (34) 09340070  
 (35) 09440212 (36) 09340041 (37) 09440332 (38) 09140040 (39) 09140037 (40) 09140041  
 (41) 09140038 (42) 09140039 (43) 09140042 (44) 09340029 (45) 09440338 (45) 09440454  
 (46) 09340026 (47) 09440187 (47) 09440456

**DANGER**  
**ELECTROCUTION HAZARD**  
 • THIS MACHINE IS NOT INSULATED.  
 • MAINTAIN A CLEARANCE OF AT LEAST 10 FEET (3 METERS) BETWEEN ANY PART OF MACHINE OR LOAD AND ANY ELECTRICAL LINE OR APPARATUS CARRYING UP TO 50,000 VOLTS.  
 • ONE FOOT ADDITIONAL CLEARANCE IS REQUIRED FOR EVERY ADDITIONAL 30,000 VOLTS OR LESS.  
 • ALLOWANCES MUST BE MADE FOR OPERATOR ERROR, MACHINE DEFLECTION AND ELECTRICAL LINE SWAYING.  
 ▲ DEATH OR SERIOUS INJURY WILL OCCUR FROM CONTACT OR BEING TOO CLOSE TO ELECTRICAL LINES.

**DAILY CHECK LIST**  
 1. CHECK TYRES AND THEIR CONDITION.  
 2. CHECK BOOM AND AXLE CUT-OUT SWITCHES.  
 3. CHECK SAFETY PROTECTION ITEMS.  
 4. CHECK ALL OPERATIONS FOR MALFUNCTION.  
 5. CHECK BRAKES.  
 6. ENSURE THAT OPERATION AND SAFETY MANUAL IS WITH THE MACHINE.  
 7. DO NOT OPERATE A MALFUNCTIONING MACHINE.  
 8. CHECK THE ENGINE AND DRIVE SPEED CUT-OUT SWITCHES.  
 9. CHECK THE MAXIMUM OPERATING SLOPE.

454kg MAX  
 400N MAX  
 12.5m/s MAX

**DANGER**  
**ELECTROCUTION HAZARD**  
 • THIS MACHINE IS NOT INSULATED.  
 • MAINTAIN A CLEARANCE OF AT LEAST 10 FEET (3 METERS) BETWEEN ANY PART OF MACHINE OR LOAD AND ANY ELECTRICAL LINE OR APPARATUS CARRYING UP TO 50,000 VOLTS.  
 • ONE FOOT ADDITIONAL CLEARANCE IS REQUIRED FOR EVERY ADDITIONAL 30,000 VOLTS OR LESS.  
 • ALLOWANCES MUST BE MADE FOR OPERATOR ERROR, MACHINE DEFLECTION AND ELECTRICAL LINE SWAYING.  
 ▲ DEATH OR SERIOUS INJURY WILL OCCUR FROM CONTACT OR BEING TOO CLOSE TO ELECTRICAL LINES.

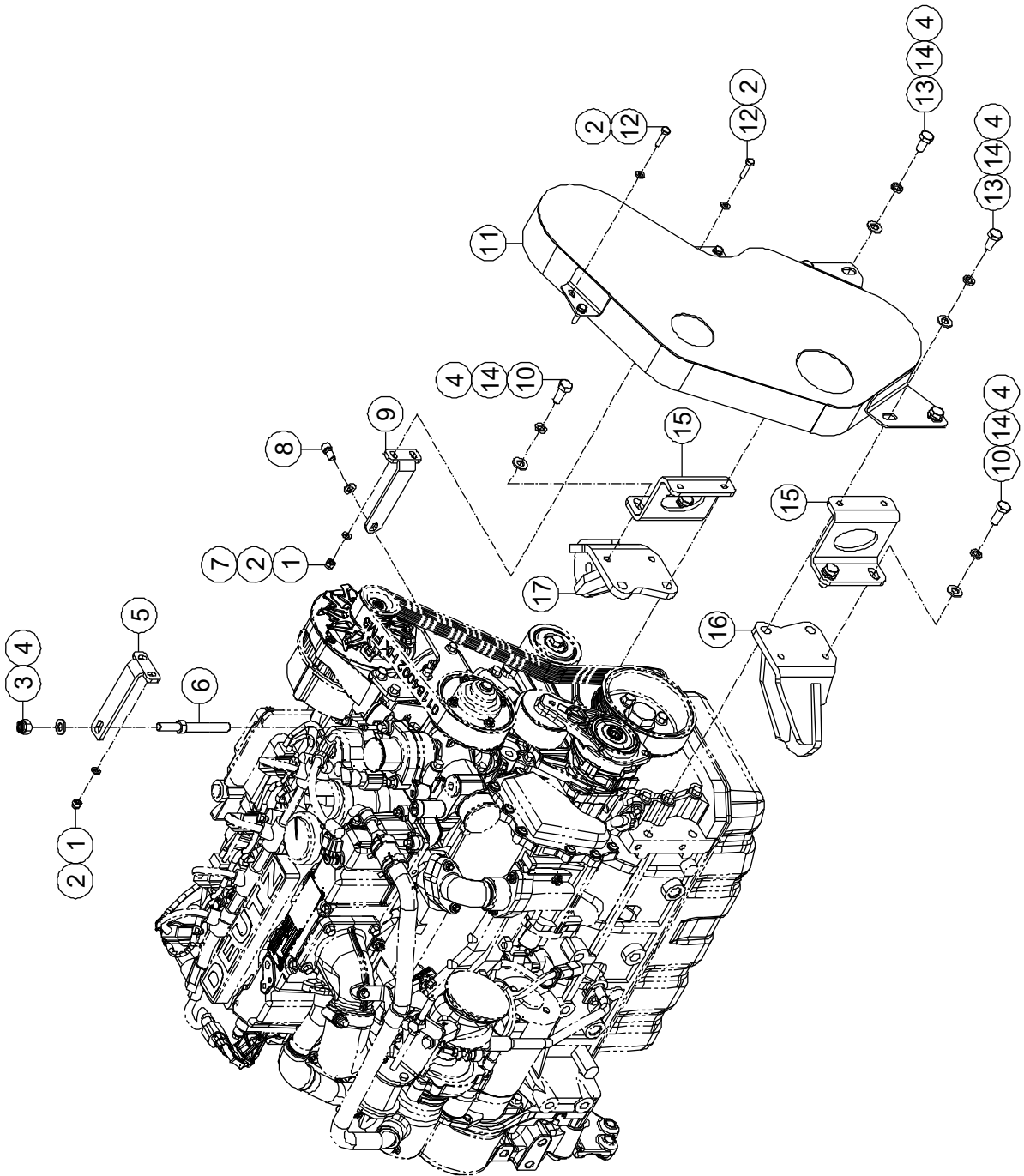
**DAILY CHECK LIST**  
 1. CHECK TYRES AND THEIR CONDITION.  
 2. CHECK BOOM AND AXLE CUT-OUT SWITCHES.  
 3. CHECK SAFETY PROTECTION ITEMS.  
 4. CHECK ALL OPERATIONS FOR MALFUNCTION.  
 5. CHECK BRAKES.  
 6. ENSURE THAT OPERATION AND SAFETY MANUAL IS WITH THE MACHINE.  
 7. DO NOT OPERATE A MALFUNCTIONING MACHINE.  
 8. CHECK THE ENGINE AND DRIVE SPEED CUT-OUT SWITCHES.  
 9. CHECK THE MAXIMUM OPERATING SLOPE.

Unrestricted: 320kg  
 Restricted: 454kg  
 400N MAX  
 12.5m/s MAX

**CAPACITY 454kg**  
**CAPACITY 320kg/454kg**

# **Section 9 Special Options**

### 9-1 V-Belt Housing Installations

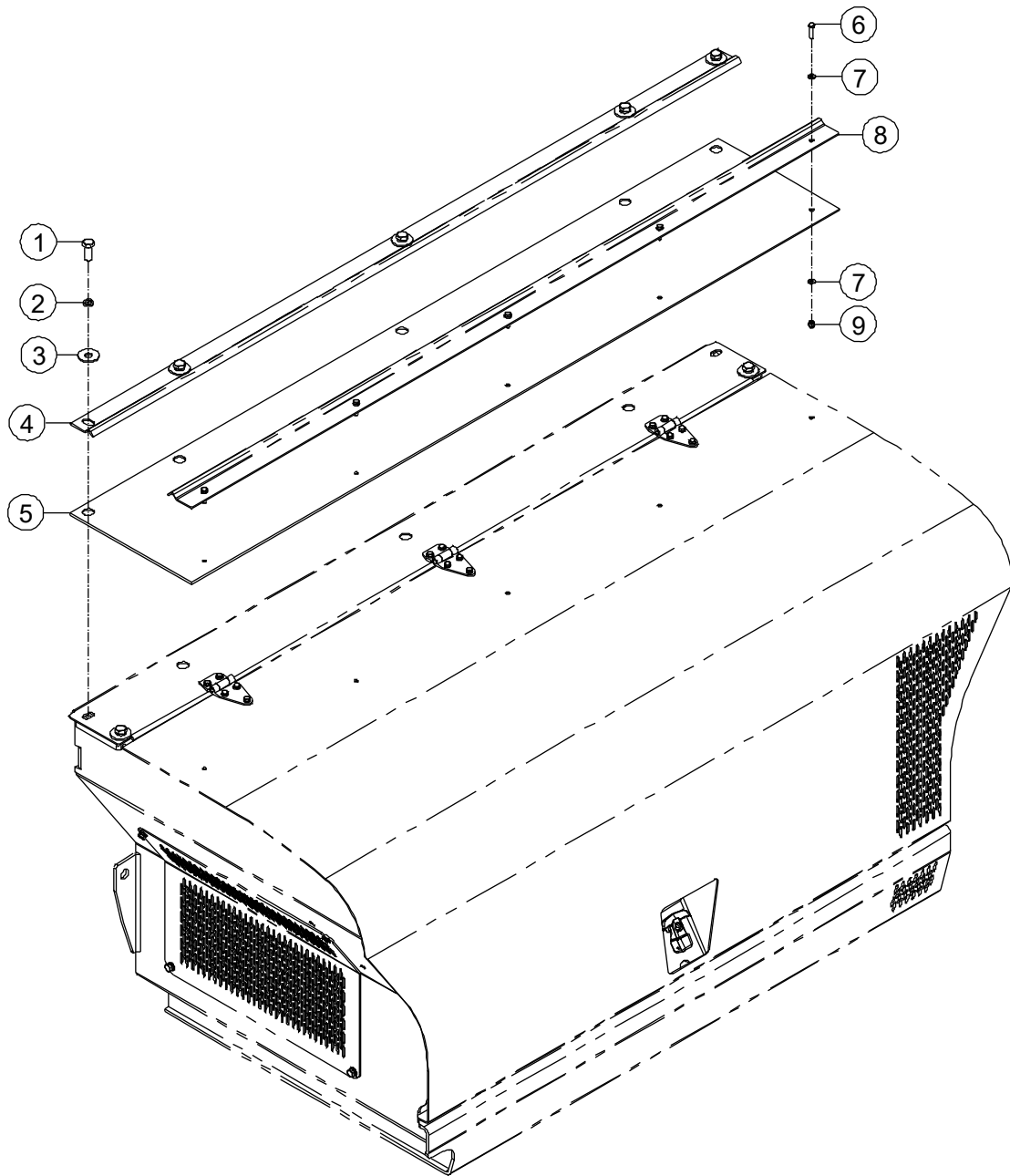




**9-1 V-Belt Housing Installations**

Item	Part Number	Description	Qty.	Remark
1	00001033	Nut GB/T 6182 M6	4	
2	00000620	Flat Washer GB/T 97.1 6	8	
3	00000623	Nut GB/T 6182 M10	1	
4	00000615	Flat Washer GB/T 97.1 10	9	
5	92100763	Bracket	1	
6	92100764	Bolt	1	
7	00000608	Flat Washer GB/T 97.1 8	1	
8	00002051	Screw GB/T 70 M8 × 16	1	
9	92100762	Bracket	1	
10	00000678	Bolt GB/T 5783 M10 × 25	4	
11	92100754	Housing	1	
12	00000619	Bolt GB/T 5783 M6 × 25	4	
13	00000674	Bolt GB/T 5783 M10 × 20	4	
14	00000679	Spring Washer GB/T 93 10	8	
15	92100761	Bracket	2	
16	92100766	Support	1	
17	92100765	Support	1	

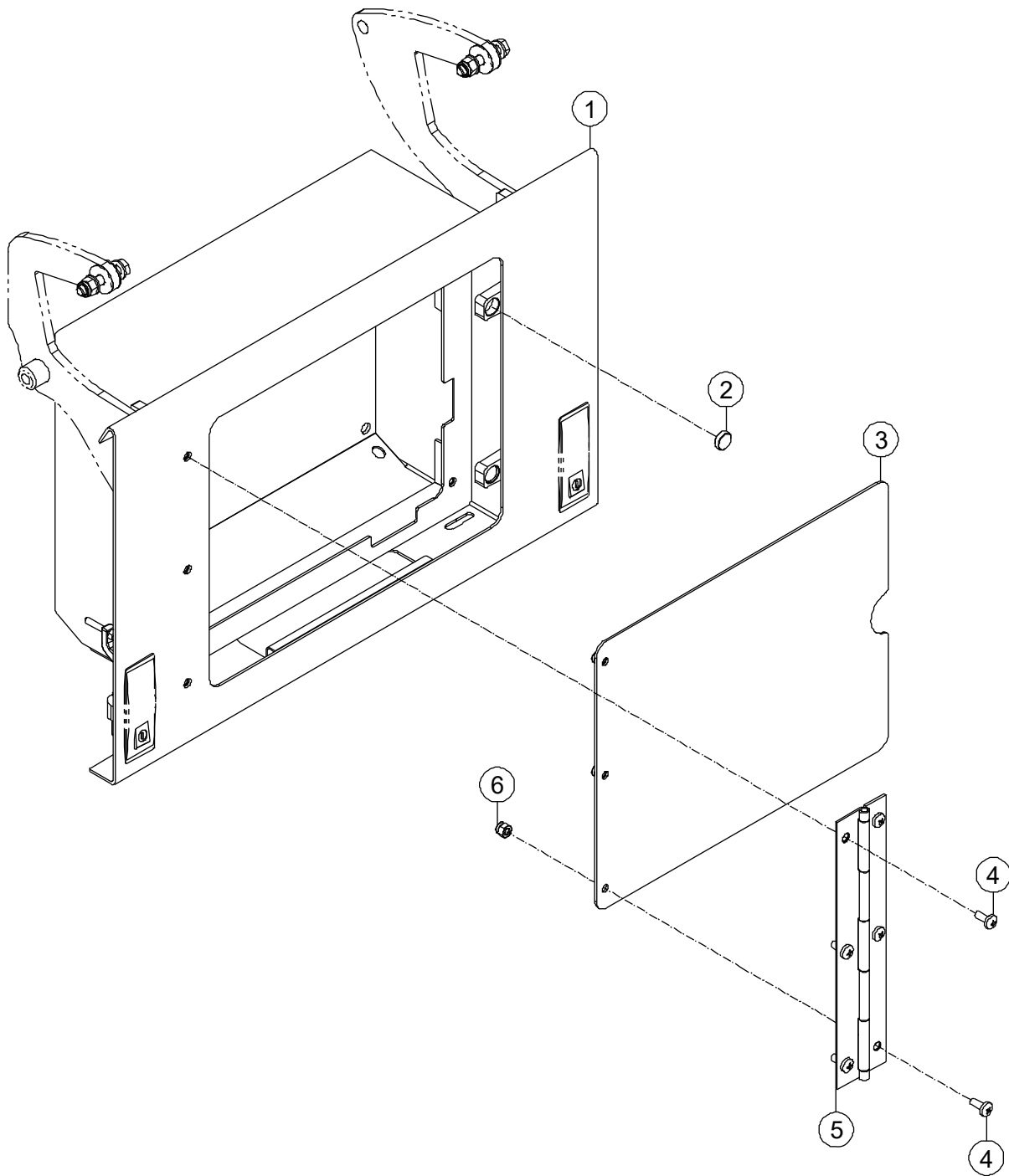
### 9-2 Waterproof Pad on Engine Module Door



**9-2 Waterproof Pad on Engine Module Door**

Item	Part Number	Description	Qty.	Remark
1	00002059	Bolt GB/T 5783 M12 × 30	5	
2	00000815	Spring Washer GB/T 93 12	5	
3	00002601	Flat Washer GB/T 96.1 12	5	
4	92101032	Plate	1	
5	92101033	Waterproof Pad (Rubber)	1	
6	00000619	Bolt GB/T 5783 M6 × 25	5	
7	00000620	Flat Washer GB/T 97.1 6	10	
8	92101031	Plate	1	
9	00001033	Nut GB/T 6182 M6	5	

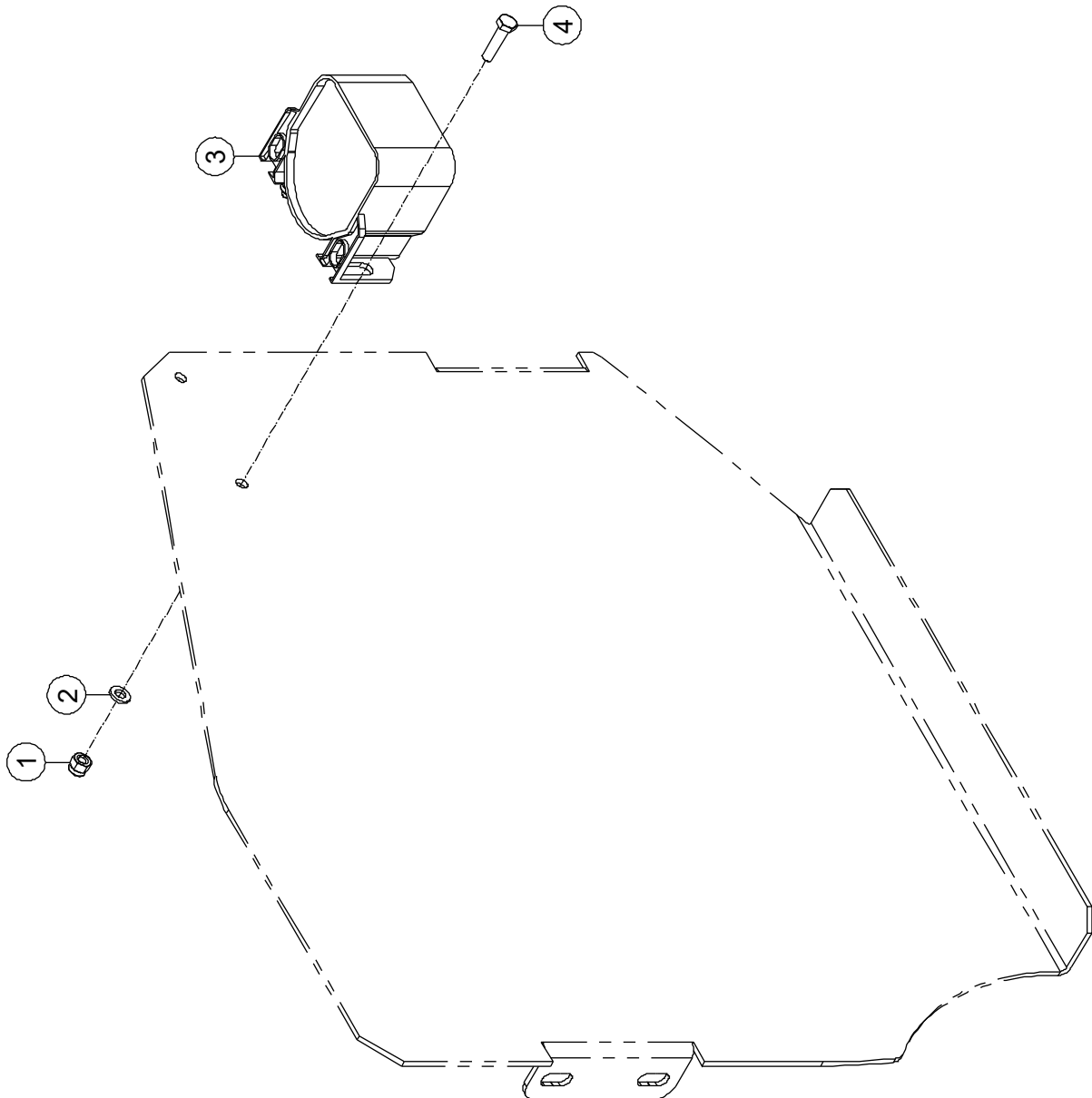
### 9-3 Ground Control Box Housing Installations



**9-3 Ground Control Box Housing Installations**

Item	Part Number	Description	Qty.	Remark
1	92100784	Ground Control Box	1	
2	10002550	Magnet	2	
3	92100788	Control door plate	1	
4	00001231	Screw GB/T 818 M6 × 14 - H	6	
5	92100786	Hinge	1	
6	00001033	Nut GB/T 6182 M6	3	

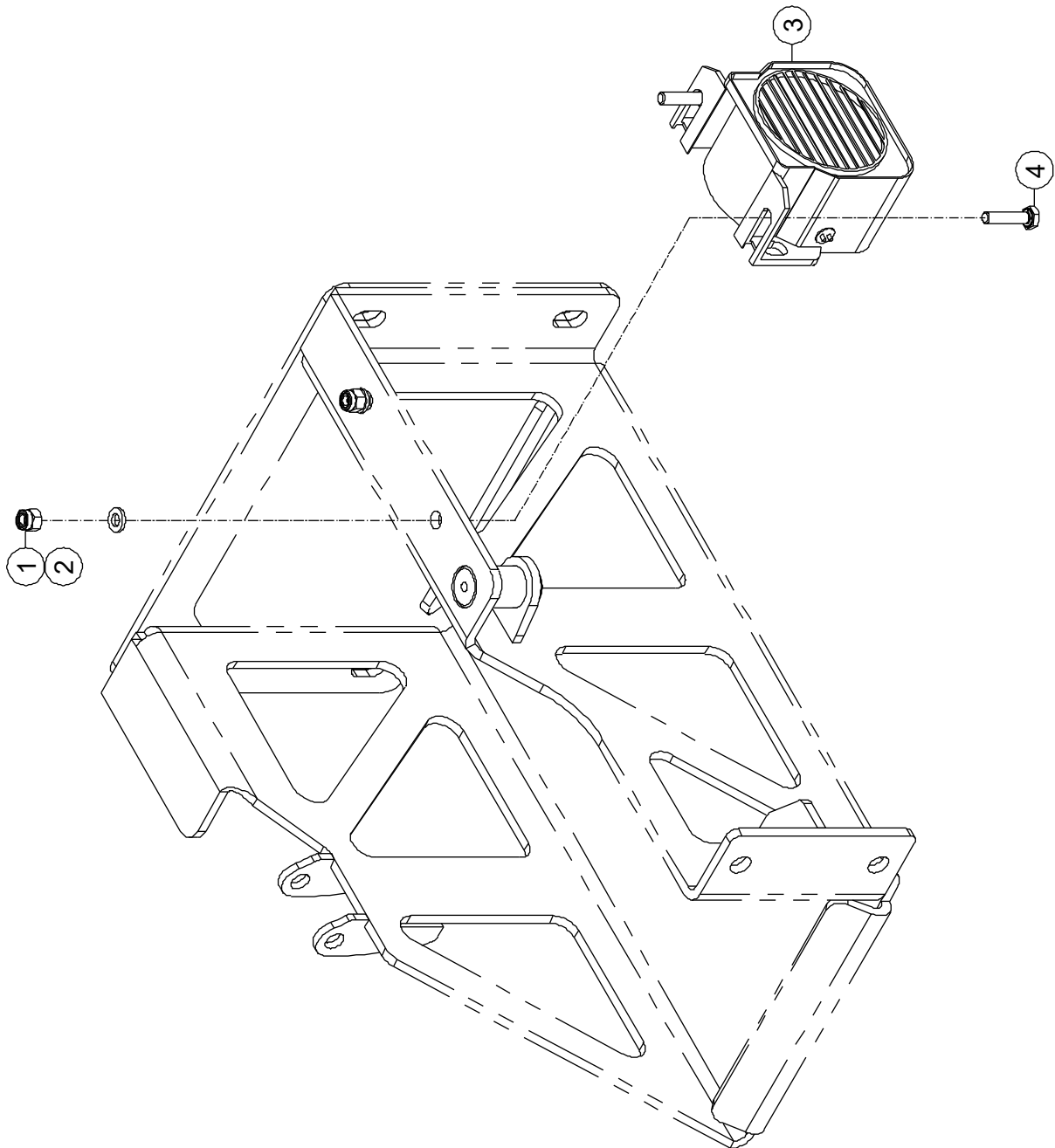
**9-4 Alarm Installations (Stage IV)**



**9-4 Alarm Installations (Stage IV)**

Item	Part Number	Description	Qty.	Remark
1	00001033	Nut GB/T 6182 M6	2	
2	00000620	Flat Washer GB/T 97.1 6	2	
3	00004438	Alarm	1	
4	00000619	Bolt GB/T 5783 M6 × 25	2	

### 9-5 Alarm Installations (Stage V)

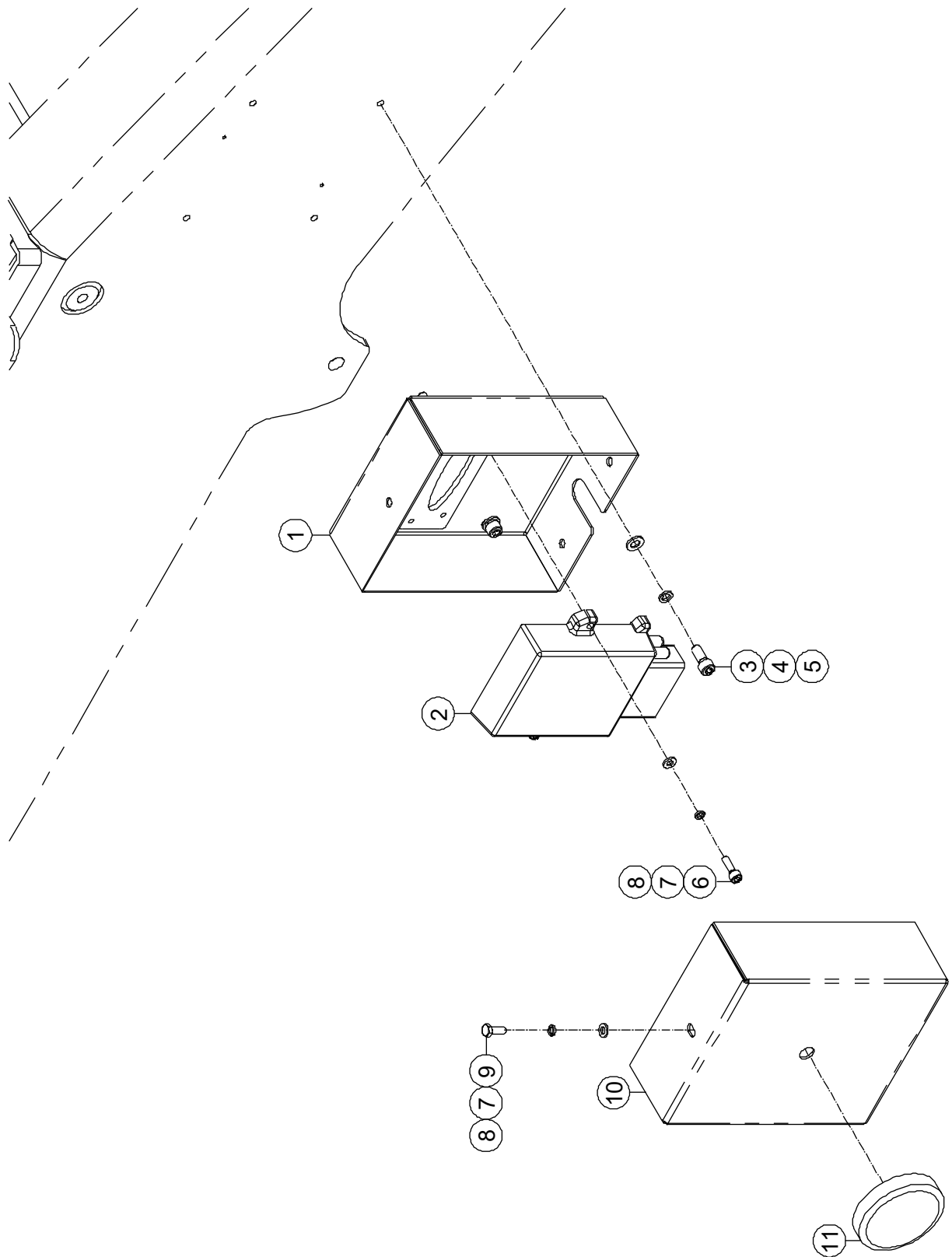




**9-5 Alarm Installations (Stage V)**

Item	Part Number	Description	Qty.	Remark
1	00001033	Nut GB/T 6182 M6	2	
2	00000620	Flat Washer GB/T 97.1 6	2	
3	00004438	Alarm	1	
4	00000619	Bolt GB/T 5783 M6 × 25	2	

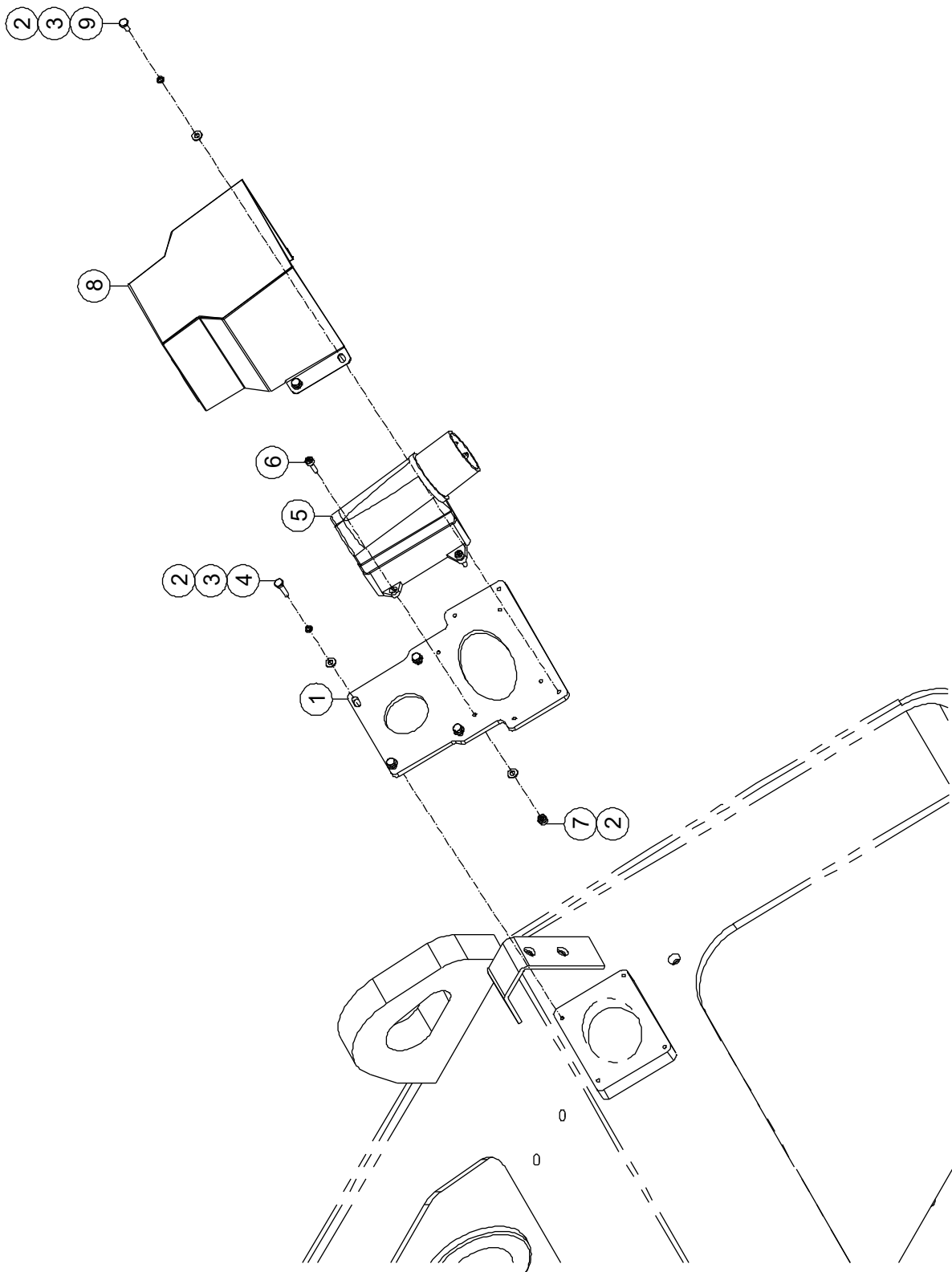
### 9-6 GPS Module Installations



**9-6 GPS Module Installations**

Item	Part Number	Description	Qty.	Remark
1	92100897	Bracket	1	
2	00007339	IOT Module	1	
3	00001061	Screw GB/T 70 M8 × 20	4	
4	00000609	Spring Washer GB/T 93 8	4	
5	00000608	Flat Washer GB/T 97.1 8	4	
6	00000774	Screw GB/T 70 M6 × 20	2	
7	00000621	Spring Washer GB/T 93 6	5	
8	00000620	Flat Washer GB/T 97.1 6	5	
9	00000818	Bolt GB/T 5783 M6 × 16	3	
10	92100896	Cover	1	
11	00007340	GPS Antenna	1	

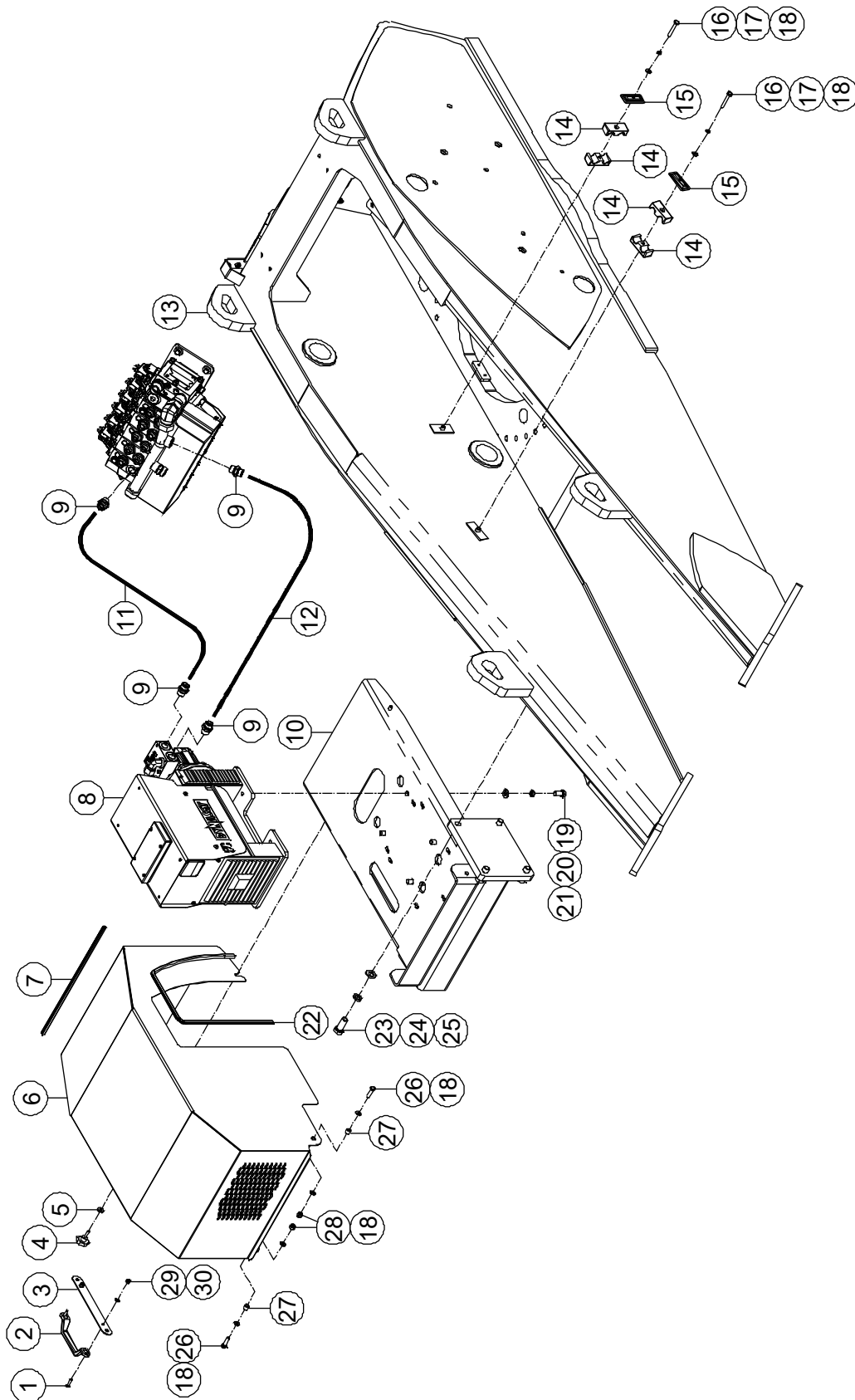
### 9-7 AC Plug Assembly



**9-7 AC Plug Assembly**

Item	Part Number	Description	Qty.	Remark
1	92101050	Support	1	
2	00000778	Flat Washer GB/T 97.1 4	12	
3	00000779	Spring Washer GB/T 93 4	8	
4	00002730	Bolt GB/T 5783 M4 × 20	4	
5	00002929	Plug	1	
6	00000604	Screw GB/T 70.1 M4×16	4	
7	00001236	Nut GB/T 889.1 M4	4	
8	92100747	Housing	1	
9	00002511	Bolt GB/T 5783 M4 × 10	4	

### 9-8 Hydraulic Generator Assembly



**9-8 Hydraulic Generator Assembly**

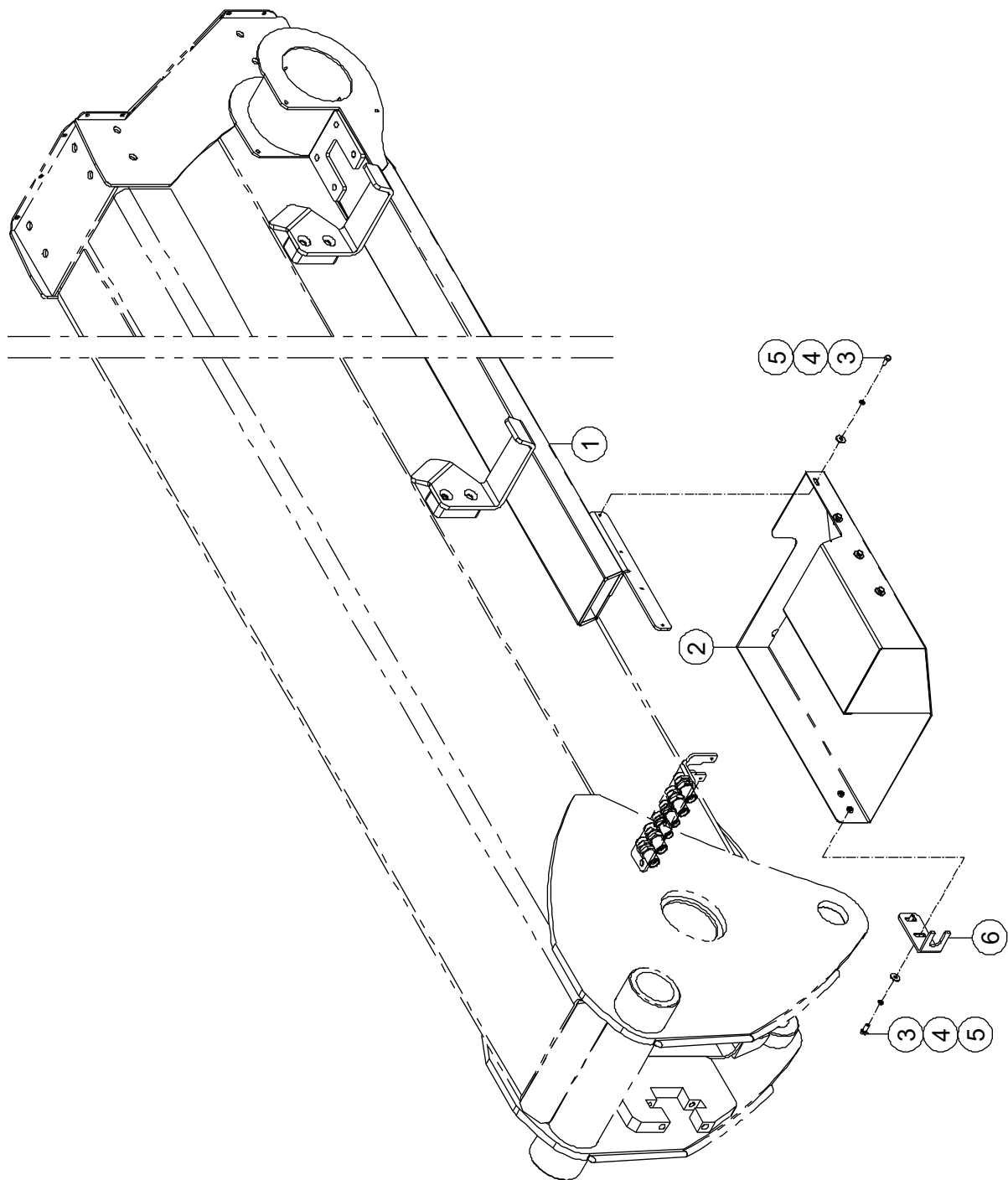
Item	Part Number	Description	Qty.	Remark
1	00000832	Screw GB/T 70.3 M6×25	2	
2	10011979	Handle	1	
3	92049132	Plate	1	
4	92009577	Bolt	1	
5	00002583	Flat Washer GB/T 96.1 6	1	
6	92049130	Housing	1	
7	92032848	Seal	1	
8	00008004	Hydraulic Generator (5kW/110V)	1	Option 1
	00008094	Hydraulic Generator (5kW/220V)	1	Option 2
9	00001506	Fitting, Straight	4	
10	92049122	Support	1	
11	92102378	Hose Assembly	1	
12	92102379	Hose Assembly	1	
13	92102374	Turntable	1	
14	92002826	Clamp	4	
15	92013750	Plate	2	
16	00003607	Bolt GB/T 5783 M8 × 50	2	
17	00000609	Spring Washer GB/T 93 8	2	
18	00000608	Flat Washer GB/T 97.1 8	6	
19	00000816	Bolt GB/T 5783 M12 × 25	4	
20	00000815	Spring Washer GB/T 93 12	4	
21	00000814	Flat Washer GB/T 97.1 12	4	
22	92049128	Seal	1	
23	00001161	Bolt GB/T 5783 M16 × 40	4	
24	00001035	Spring Washer GB/T 93 16	4	
25	00000997	Flat Washer GB/T 97.1 16	4	
26	00000995	Bolt GB/T 5783 M8 × 30	2	
27	92030704	Tube	2	
28	00001163	Nut GB/T 6182 M8	2	

**9-8 Hydraulic Generator Assembly (Continued)**

Item	Part Number	Description	Qty.	Remark
29	00001033	Nut GB/T 6182 M6	2	
30	00000620	Flat Washer GB/T 97.1 6	2	



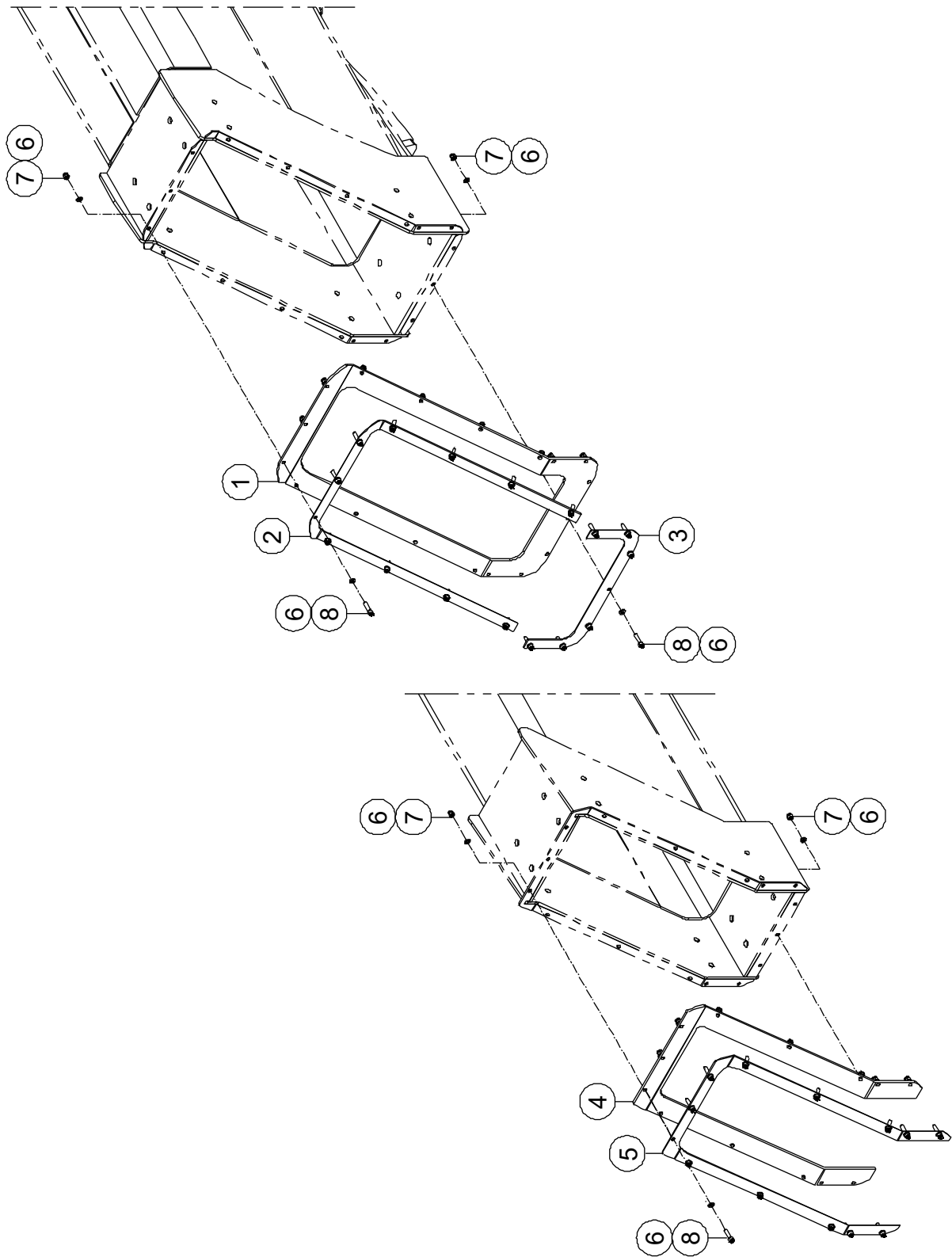
### 9-9 Tube Housing Installations



**9-9 Tube Housing Installations**

Item	Part Number	Description	Qty.	Remark
1	92101052	Channel	1	
2	92101053	Housing	1	
3	00000818	Bolt GB/T 5783 M6 × 16	6	
4	00000621	Spring Washer GB/T 93 6	6	
5	00002583	Flat Washer GB/T 96.1 6	6	
6	92100740	Bracket	1	

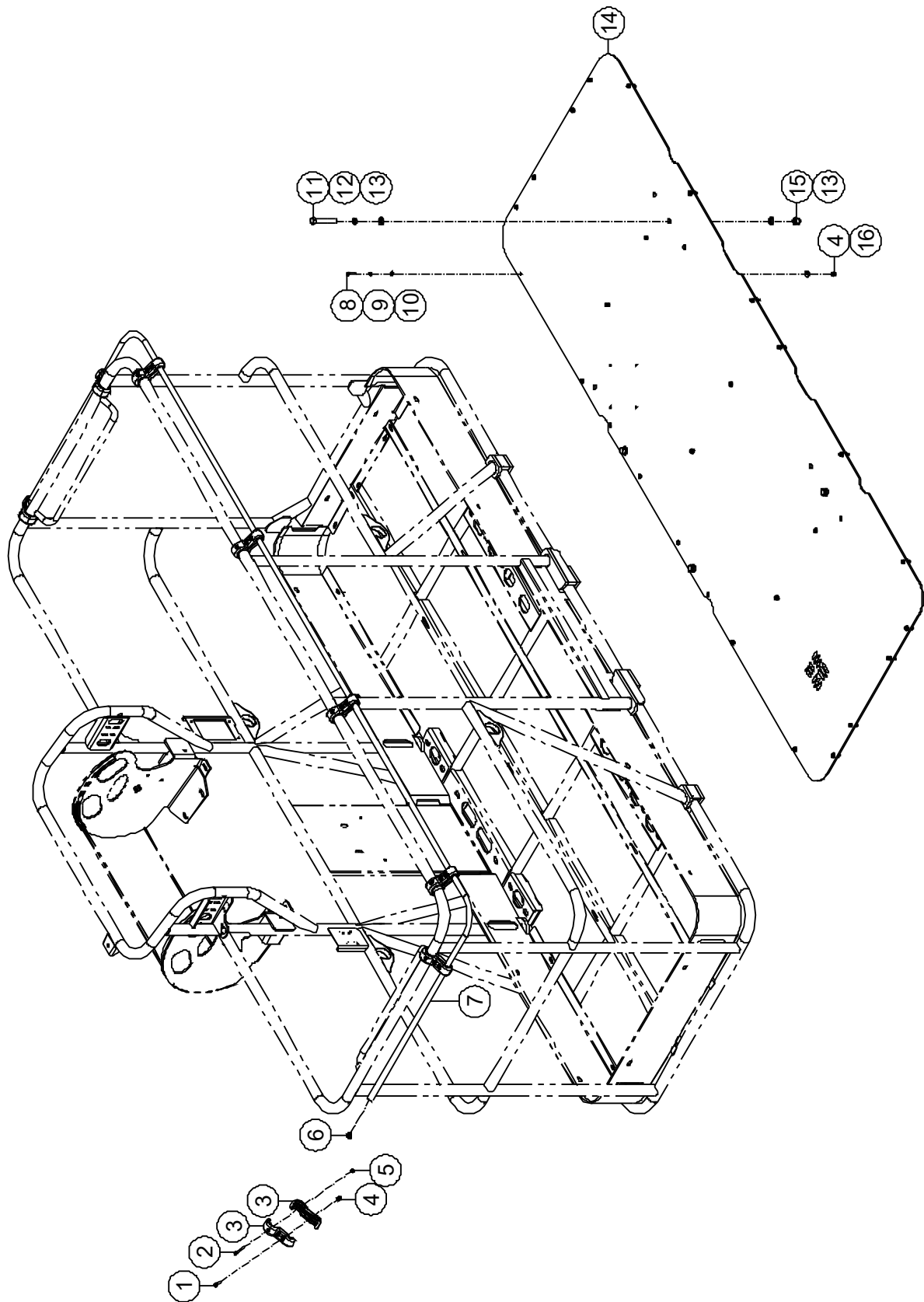
### 9-10 Boom Shield Installations



**9-10 Boom Shield Installations**

Item	Part Number	Description	Qty.	Remark
1	92101062	Guard (Rubber)	1	
2	92101063	Plate	1	
3	92101064	Plate	1	
4	92101065	Guard (Rubber)	1	
5	92101066	Plate	1	
6	00000620	Flat Washer GB/T 97.1 6	62	
7	00001033	Nut GB/T 6182 M6	31	
8	00001034	Screw GB/T 70 M6 × 25	31	

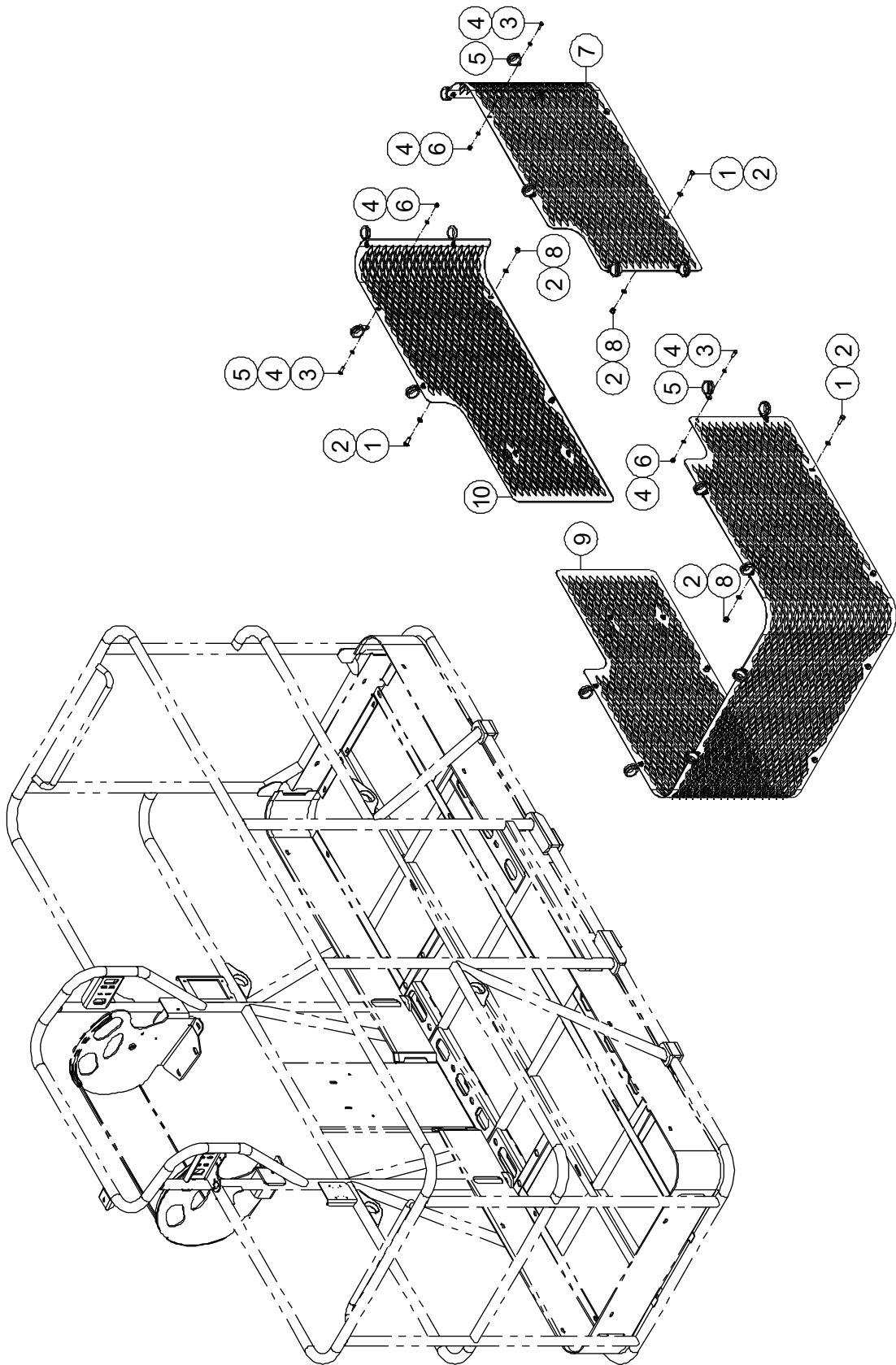
9-11 Platform Accessories 1



**9-11 Platform Accessories 1**

Item	Part Number	Description	Qty.	Remark
1	00001034	Screw GB/T 70 M6 × 25	16	
2	00002505	Screw GB/T 70 M5 × 50	8	
3	10007023	Pinch Guard Support	16	
4	00001033	Nut GB/T 6182 M6	40	
5	00000613	Nut GB/T 6182 M5	8	
6	92100821	Plug	2	
7	92100767	Pinch Guard	1	
8	00000619	Bolt GB/T 5783 M6 × 25	24	
9	00000621	Spring Washer GB/T 93 6	24	
10	00000620	Flat Washer GB/T 97.1 6	24	
11	00002527	Bolt GB/T 5782 M12 × 80	4	
12	00000815	Spring Washer GB/T 93 12	4	
13	00000814	Flat Washer GB/T 97.1 12	8	
14	92100777	Deck Plate	1	
15	00001249	Nut GB/T 6182 M12	4	
16	00002583	Flat Washer GB/T 96.1 6	24	

9-12 Platform Accessories 2

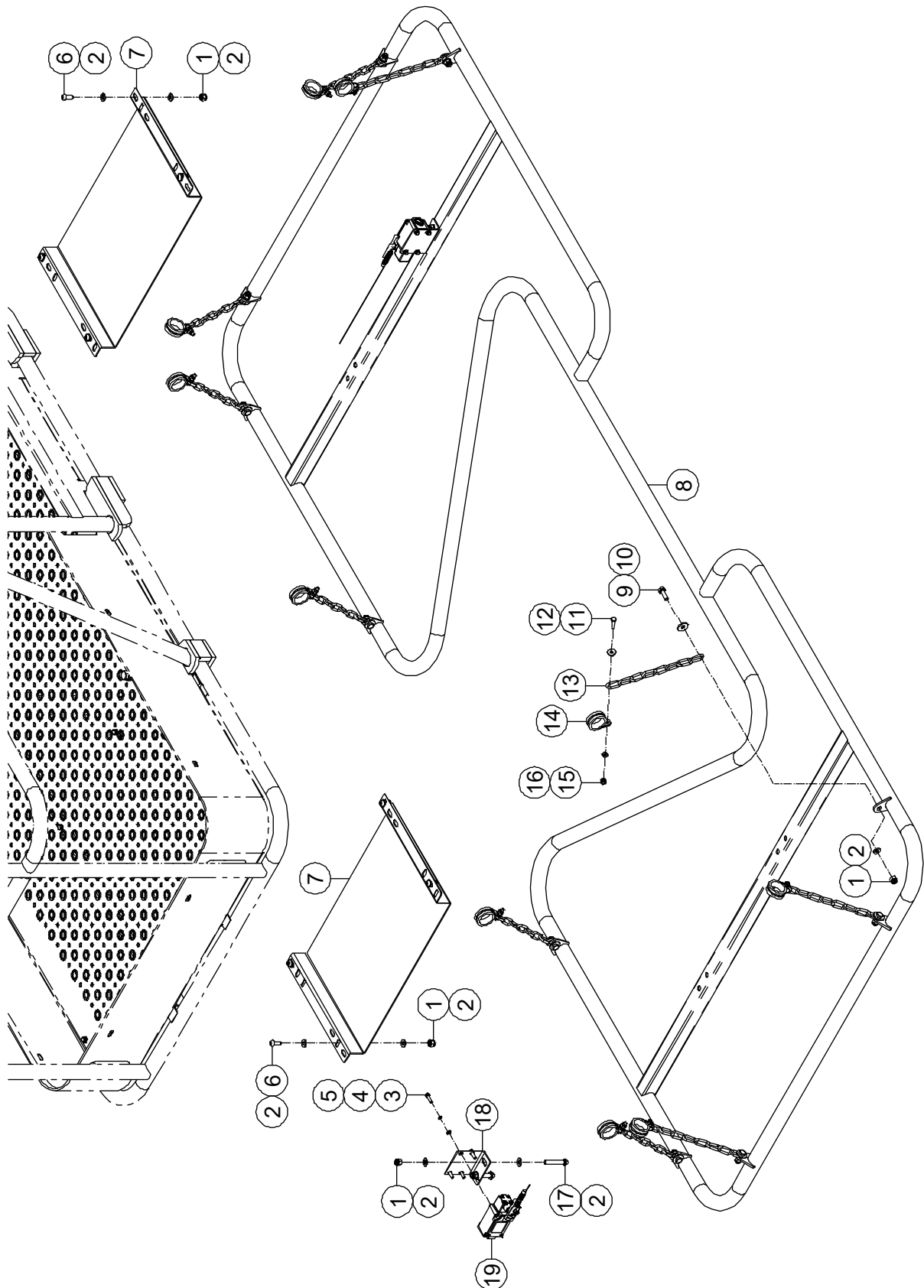


**9-12 Platform Accessories 2**

Item	Part Number	Description	Qty.	Remark
1	00000993	Bolt GB/T 5783 M8 × 25	10	
2	00000608	Flat Washer GB/T 97.1 8	20	
3	00000743	Bolt GB/T 5783 M6 × 20	22	
4	00000620	Flat Washer GB/T 97.1 6	44	
5	92100782	Clamp	22	
6	00001033	Nut GB/T 6182 M6	22	
7	92100781	Panel, Half Mesh	1	
8	00001163	Nut GB/T 6182 M8	10	
9	92100779	Panel, Half Mesh	1	
10	92100780	Panel, Half Mesh	1	



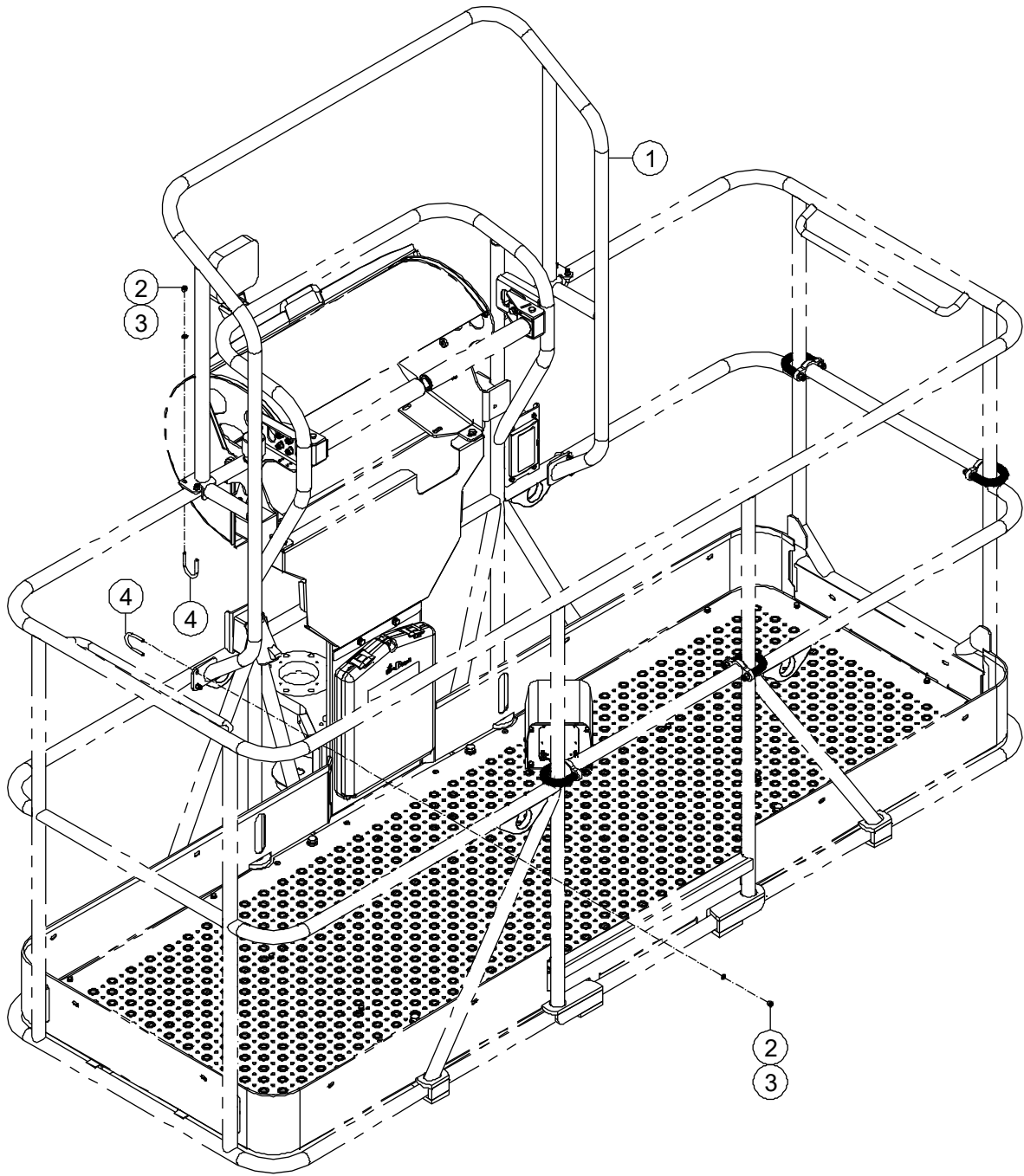
### 9-13 Platform Accessories 3



**9-13 Platform Accessories 3**

Item	Part Number	Description	Qty.	Remark
1	00001163	Nut GB/T 6182 M8	22	
2	00000608	Flat Washer GB/T 97.1 8	34	
3	00002268	Bolt GB/T 5783 M5 × 20	8	
4	00000606	Spring Washer GB/T 93 5	8	
5	00000605	Flat Washer GB/T 97.1 5	8	
6	00001188	Screw GB/T 70.2 M8×20	8	
7	92101394	Bracket	2	
8	92101389	Support	1	
9	00000993	Bolt GB/T 5783 M8 × 25	10	
10	00002000	Flat Washer GB/T 96.1 8	10	
11	00000619	Bolt GB/T 5783 M6 × 25	10	
12	00002583	Flat Washer GB/T 96.1 6	10	
13	92101400	Chain	10	
14	92100782	Clamp	10	
15	00001033	Nut GB/T 6182 M6	10	
16	00000620	Flat Washer GB/T 97.1 6	10	
17	00003607	Bolt GB/T 5783 M8 × 50	4	
18	92101396	Bracket	2	
19	00009340	Switch, Limit	2	

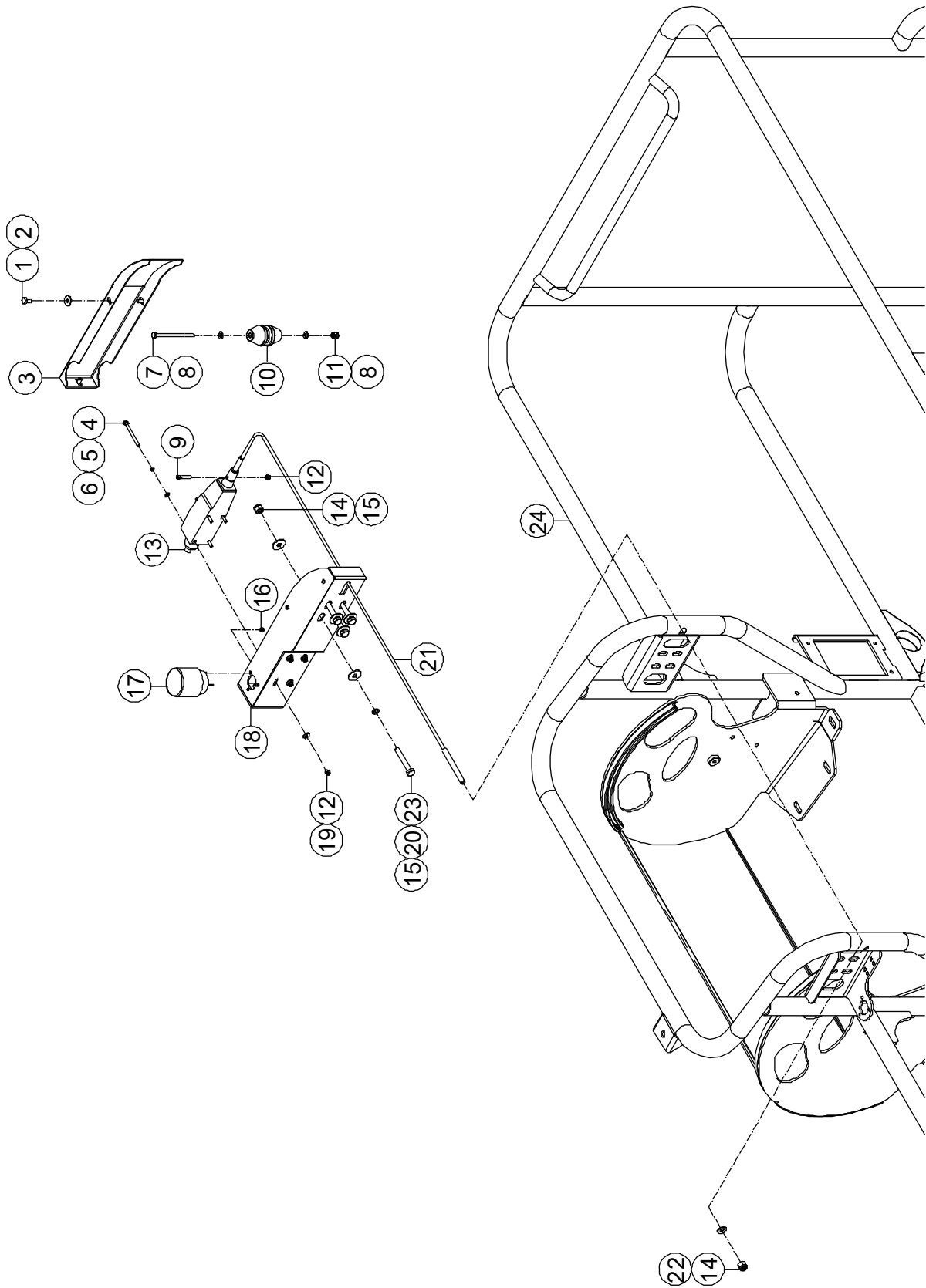
9-14 Platform Accessories 4



**9-14 Platform Accessories 4**

Item	Part Number	Description	Qty.	Remark
1	92101036	Pinch Guard	1	
2	00001033	Nut GB/T 6182 M6	8	
3	00000620	Flat Washer GB/T 97.1 6	8	
4	92101043	Clamp	4	

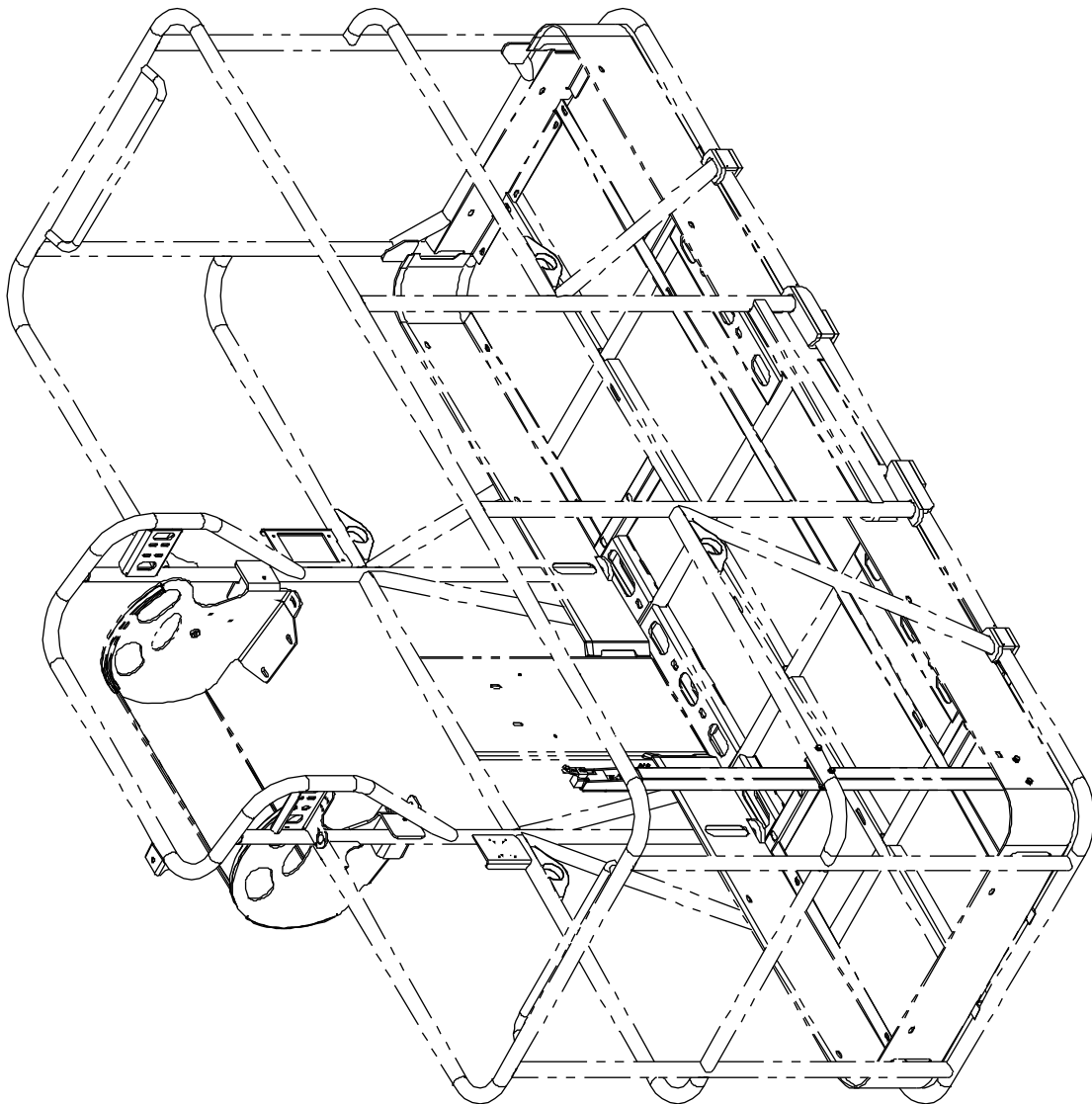
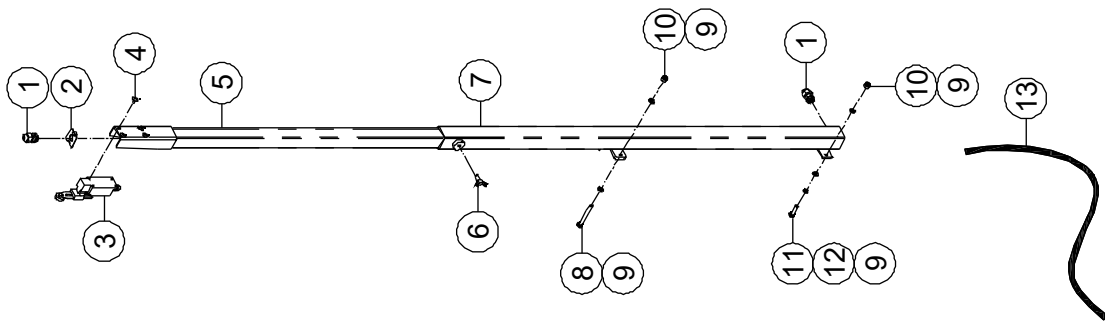
9-15 Lift Guard Contact Alarm



**9-15 Lift Guard Contact Alarm**

Item	Part Number	Description	Qty.	Remark
1	00000745	Bolt GB/T 5783 M6 × 12	3	
2	00002583	Flat Washer GB/T 96.1 6	3	
3	92100775	Housing	1	
4	00005191	Bolt GB/T 5783 M4 × 55	4	
5	00000779	Spring Washer GB/T 93 4	4	
6	00000778	Flat Washer GB/T 97.1 4	4	
7	00007023	Bolt GB/T 5782 M6 × 80	1	
8	00000620	Flat Washer GB/T 97.1 6	2	
9	00002228	Screw GB/T 70 M4 × 25	1	
10	92100774	Roller	1	
11	00001033	Nut GB/T 6182 M6	1	
12	00001236	Nut GB/T 889.1 M4	5	
13	00005189	Pull-Wire Switch	1	
14	00001163	Nut GB/T 6182 M8	5	
15	00002000	Flat Washer GB/T 96.1 8	8	
16	00003700	Nut GB/T 889.1 M3	3	
17	00005190	Beacon	1	
18	92100770	Bracket	1	
19	00003610	Flat Washer GB/T 96.1 4	4	
20	00000609	Spring Washer GB/T 93 8	4	
21	92100773	Wire Rope Fastener	1	
22	00000608	Flat Washer GB/T 97.1 8	1	
23	00002507	Bolt GB/T 5783 M8 × 55	4	
24	92100778	Platform	1	

9-16 Anti-collision Device Installations



**9-16 Anti-collision Device Installations**

Item	Part Number	Description	Qty.	Remark
1	00001825	M12 Clamp	4	
2	10001599	Bracket, Limit Switch	2	
3	00002354	Limit Switch	2	
4	00000999	Screw GB/T 973 M5×10	8	
5	10001645	Pole	2	
6	00002586	Screw M8×16	2	
7	10001644	Pole	2	
8	00001066	Bolt GB/T 5782 M6 × 55	4	
9	00000620	Flat Washer GB/T 97.1 6	16	
10	00001033	Nut GB/T 6182 M6	8	
11	00000619	Bolt GB/T 5783 M6 × 25	4	
12	00000621	Spring Washer GB/T 93 6	8	
13	00006839	3.4m Harness	2	





---

## **DINGLI AWP INDIA PRIVATE LIMITED**

Address: Sahney Towers, 81, First Floor, Poonamallee High Road, Nerkundram,

Chennai, Tamil Nadu - 600 107

Telephone: +91-98846 48464

E-mail: [support@dinglisaarc.com](mailto:support@dinglisaarc.com)

Website: [www.dinglisaarc.com](http://www.dinglisaarc.com)

---

**DINGLI**