

DINGLI

Exceed · New Height

Parts Manual

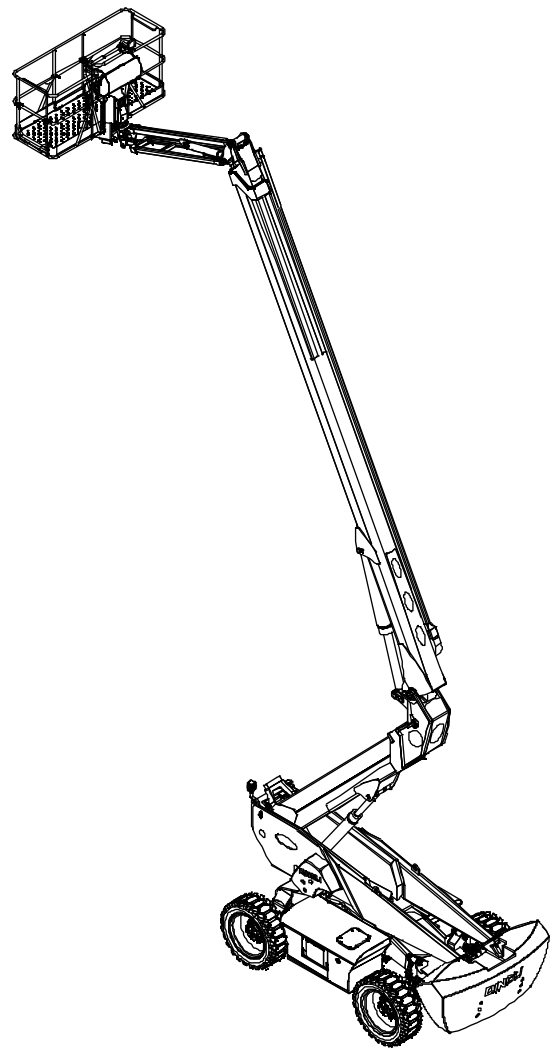
BA24ERT

BA28ERT

BA24BERT

BA28BERT

From SN
BAEM023H00033-



Part Number: SM042020111

Version Number: Rev2.0

August 2023 Printing

DINGLI

Foreword

We are very appreciated for your interesting with Dingli machine and choosing it for your application. Our priority above all is you can use the machine safely for your application and you can benefit from the Dingli machine mostly. For these reason we hope you can:

1. Comply with employer, job site and local governmental rules.
2. Safeguard your commitment to quality by always using genuine Dingli spare parts. Remember, Dingli cannot accept responsibility for the failure of a separator equipped with non-original spare parts. We guarantee the quality and reliability of our products.
3. All sketch maps of parts shown in this manual are for reference only, it is the practical that counts. This manual includes all the latest information up to the date when it was printed. All responsibilities for the revision and explanation of the manual rest with the Dingli. We also preserve the right to edit the technology characteristic and content of the manual.
4. Anyone who read the manual or used the machine, is encouraged to notify Dingli Machinery Co, Ltd of any errors or send in suggestions for improvement. All communications will be carefully considered for future printings of this and other manuals, certainly if you have any question about the machine, please contact with our team by dialing technical support phone, sending email, or any methods you want, etc. Our contact information as bellow:

If you are in China Mainland, Please contact with:

Zhejiang Dingli Machinery Co.,Ltd. Domestic Office:

Phone: +86 572 8681766
Fax: +86 572 8681700
Email: sales@cndingli.com

If you are out of the China Mainland, Please contact with:

Zhejiang Dingli Machinery Co.,Ltd. International Office:

Phone: +86 572 8681688
Fax: +86 572 8681690
Email: export@cndingli.com

Table of Contents

Section 1 Chassis

1-1	Axle Installations (Standard).....	2
1-2	Axle Installations (Optional).....	4
1-3	Axle Lockout Cylinder Installations	7
1-4	Tire and Wheel Installations	9
1-5	Slewing Ring Installations.....	11
1-6	Rotary Coupling Installations	13
1-7	Chassis Components	15
1-8	Module Installations	17
1-9	Battery Module Assembly 1	19
1-10	Battery Module Assembly 2	21
1-11	Charger Assembly with Bracket.....	23
1-12	Hydraulic Module Assembly 1.....	25
1-13	Hydraulic Module Assembly 2.....	27
1-14	Hydraulic Module Assembly 3.....	30
1-15	Fuse Assembly.....	32
1-16	Motor/Pump Assembly	34
1-17	Power Distribution Module.....	36
1-18	Ground Control Box Assembly.....	38
1-19	Chassis Manifold.....	40
1-20	Chassis Clamp Installations 1.....	42
1-21	Chassis Clamp Installations 2.....	44
1-22	Chassis Clamp Installations 3.....	46
1-23	Grease System Installations	48

Section 2 Turntable

2-1	Turntable Accessories Installations 1.....	51
2-2	Turntable Accessories Installations 2.....	53
2-3	PVG Valve Block (Standard).....	56
2-4	PVG Valve Block (Optional).....	59
2-5	Counterweight Installations	62

Section 3 Boom

3-1	Tower Boom.....	65
3-2	Tower Boom Accessories Installations 1.....	67
3-3	Tower Lifting Cylinder Assembly Installations.....	69

3-4	Tower Base Boom Sliding Block Installations.....	71
3-5	Tower Second Boom Sliding Block Installations.....	73
3-6	Tower Boom Carrier System Installations	75
3-7	Tower Boom Accessories Installations 2.....	78
3-8	Main Lifting Cylinder Assembly Installations	80
3-9	Main Telescopic Boom	82
3-10	Base Boom Sliding Block Installations	84
3-11	Second Boom Sliding Block Installations	86
3-12	Main Telescopic Cylinder Assembly Installations	88
3-13	Carrier System Installations 1.....	90
3-14	Carrier System Installations 2.....	92
3-15	JIB Leveling Cylinder Assembly Installations (BA28ERT, BA24ERT)	94
3-16	JIB Leveling Cylinder Assembly Installations (BA28BERT, BA24BERT).....	96
3-17	Telescopic Boom and Articulating JIB Installations (BA28ERT, BA24ERT).....	98
3-18	Telescopic Boom and Linkage Installations (BA28BERT, BA24BERT).....	100
3-19	Telescopic Boom and Articulating JIB Installations (BA28BERT, BA24BERT)	102
3-20	Articulating JIB Installations.....	104
3-21	Rotate Cylinder Assembly Installations	106
3-22	Articulating JIB Valve Block Installations.....	109
3-23	Valve Block	111
Section 4 Platform		
4-1	Platform Installations	114
4-2	Platform Assembly	116
4-3	Gate Assembly	119
4-4	Lift Guard Contact Alarm	121
Section 5 Cylinder		
5-1	Left Axle Lockout Cylinder Assembly	124
5-2	Right Axle Lockout Cylinder Assembly.....	126
5-3	Tower Lifting Cylinder Assembly	128
5-4	Tower Telescopic Cylinder Assembly	130
5-5	Main Lifting Cylinder Assembly	132
5-6	Main Telescopic Cylinder Assembly	134
5-7	JIB Leveling Cylinder Assembly (BA28ERT, BA24ERT).....	136
5-8	JIB Leveling Cylinder Assembly (BA28BERT, BA24BERT)	138
5-9	JIB Lifting Cylinder Assembly	140

Section 6 Hydraulic System

6-1 Chassis Circuit 1	143
6-2 Chassis Circuit 2	147
6-3 Turntable Circuit	149
6-4 JIB Circuit	153

Section 7 Electrical System

7-1 Electrical Harness - COBO Controller	156
7-2 Electrical Harness - Parker Controller	159
7-3 Controller Assembly - COBO Controller	163
7-4 Controller Assembly - Parker Controller	165
7-5 Ground Control Panel Assembly - COBO Controller	167
7-6 Ground Control Panel Assembly - Parker Controller	169
7-7 Platform Control Box Assembly - COBO Controller	171
7-8 Platform Control Box Assembly - Parker Controller	174

Section 8 Decals

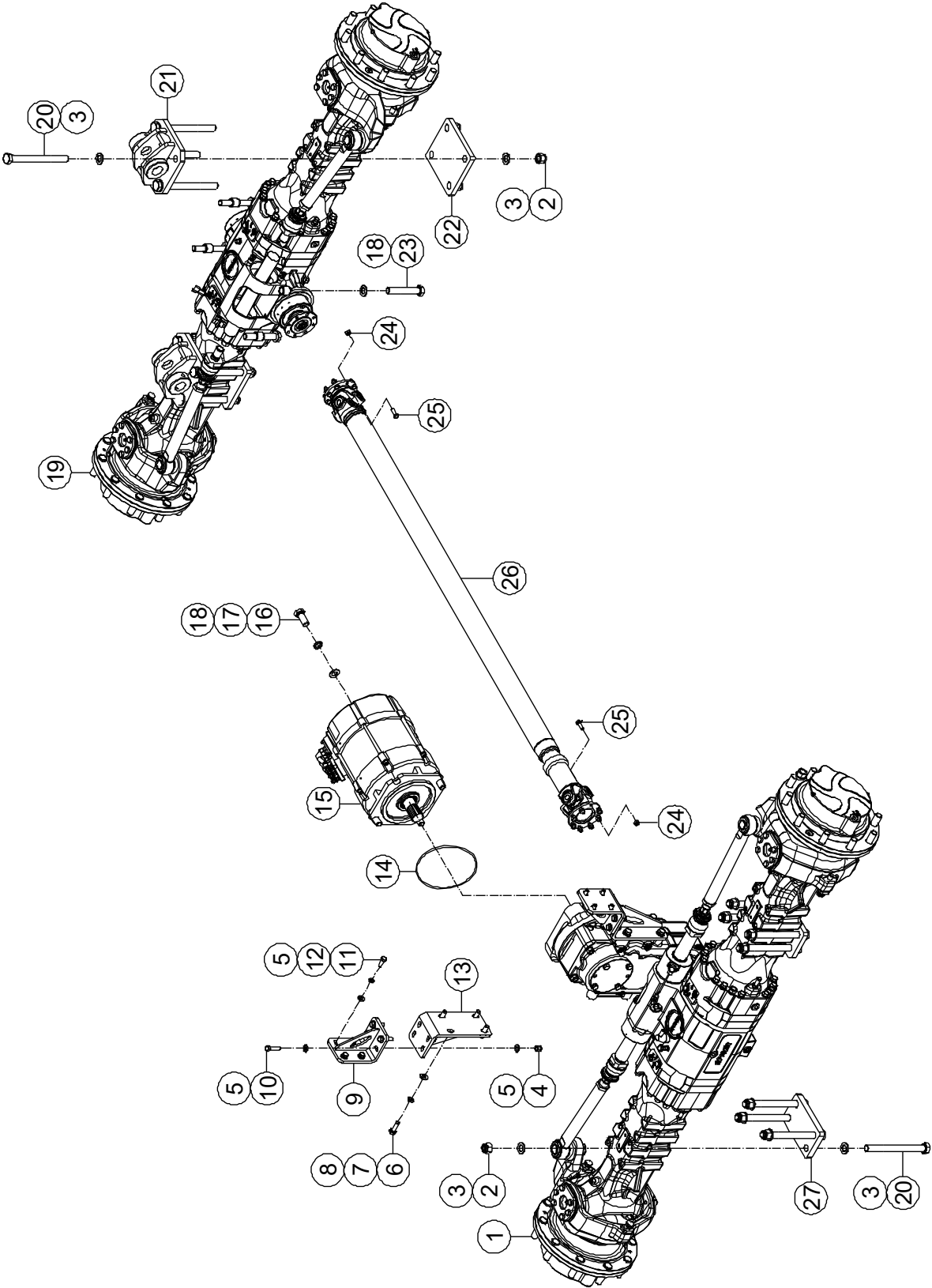
8-1 Decals Installations	178
--------------------------------	-----

Section 9 Special Options

9-1 Ground Control Box Housing Installations	185
9-2 Alarm Installations	187
9-3 GPS Module Installations	189
9-4 AC Plug Assembly	191
9-5 Tower Base Boom Guard Installations	193
9-6 Base Boom Guard Installations	195
9-7 Rubber Mat Installations	197
9-8 Platform Accessories 1	199
9-9 Platform Accessories 2	201
9-10 Platform Accessories 3	203
9-11 Platform Accessories 4	205
9-12 Lift Guard Contact Alarm	207
9-13 Anti-collision Device Installations	209

Section 1 Chassis

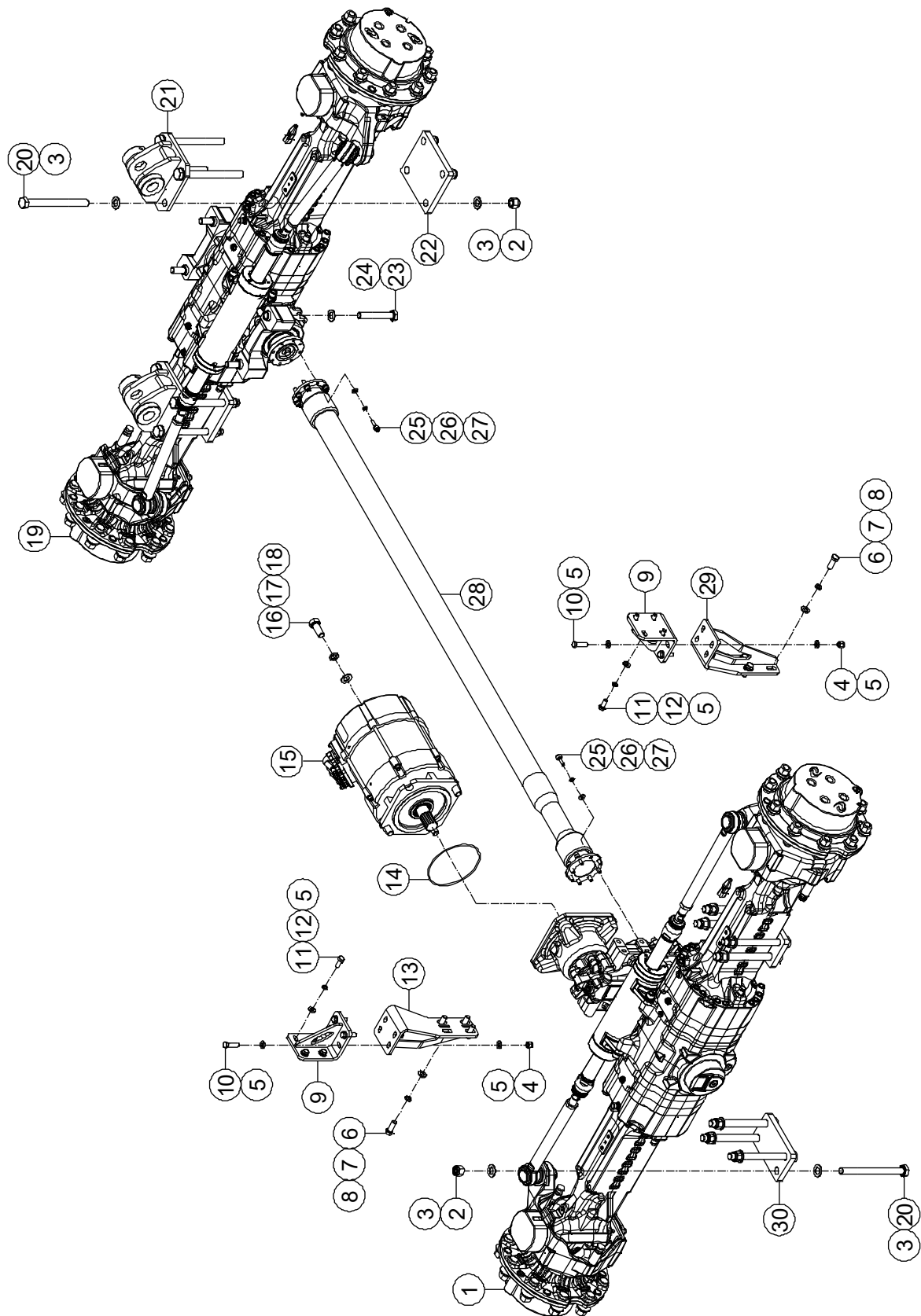
1-1 Axle Installations (Standard)



1-1 Axle Installations (Standard)

Item	Part Number	Description	Qty.	Remark
1	92100488	Rear Axle Assembly	1	
2	00004487	Nut GB/T 6182 M22	16	
3	00002550	Flat Washer GB/T 97.1 22	32	
4	00001249	Nut GB/T 6182 M12	8	
5	00000814	Flat Washer GB/T 97.1 12	24	
6	00002904	Bolt GB/T 5783 M14 × 40	8	
7	00001258	Spring Washer GB/T 93 14	8	
8	00001043	Flat Washer GB/T 97.1 14	8	
9	50005351	Bracket	2	
10	00002452	Bolt GB/T 5783 M12 × 45	8	
11	00002059	Bolt GB/T 5783 M12 × 30	8	
12	00000815	Spring Washer GB/T 93 12	8	
13	50005348	Bracket	2	
14	00001554	O-Ring As568A 196.52 × 2.62	1	
15	92100570	Drive Motor Assembly	1	
16	00002224	Bolt GB/T 5783 M20 × 50	4	
17	00002219	Spring Washer GB/T 93 20	4	
18	00001050	Flat Washer GB/T 97.1 20	8	
19	92100195	Front Axle Assembly	1	
20	00002551	Bolt GB/T 5782 M22 × 240	16	
21	92029121	Seat, Axle Lockout Cylinder Assembly	2	
22	92029119	Bracket, Link	2	
23	00002552	Bolt GB/T 5782 M20 × 130	4	
24	00006402	Nut GB/T 6184 M10	16	
25	00001059	Screw GB/T 70 M10 × 30	16	
26	92100489	Propeller Shaft	1	
27	92003368	Bracket, Link	2	

1-2 Axle Installations (Optional)



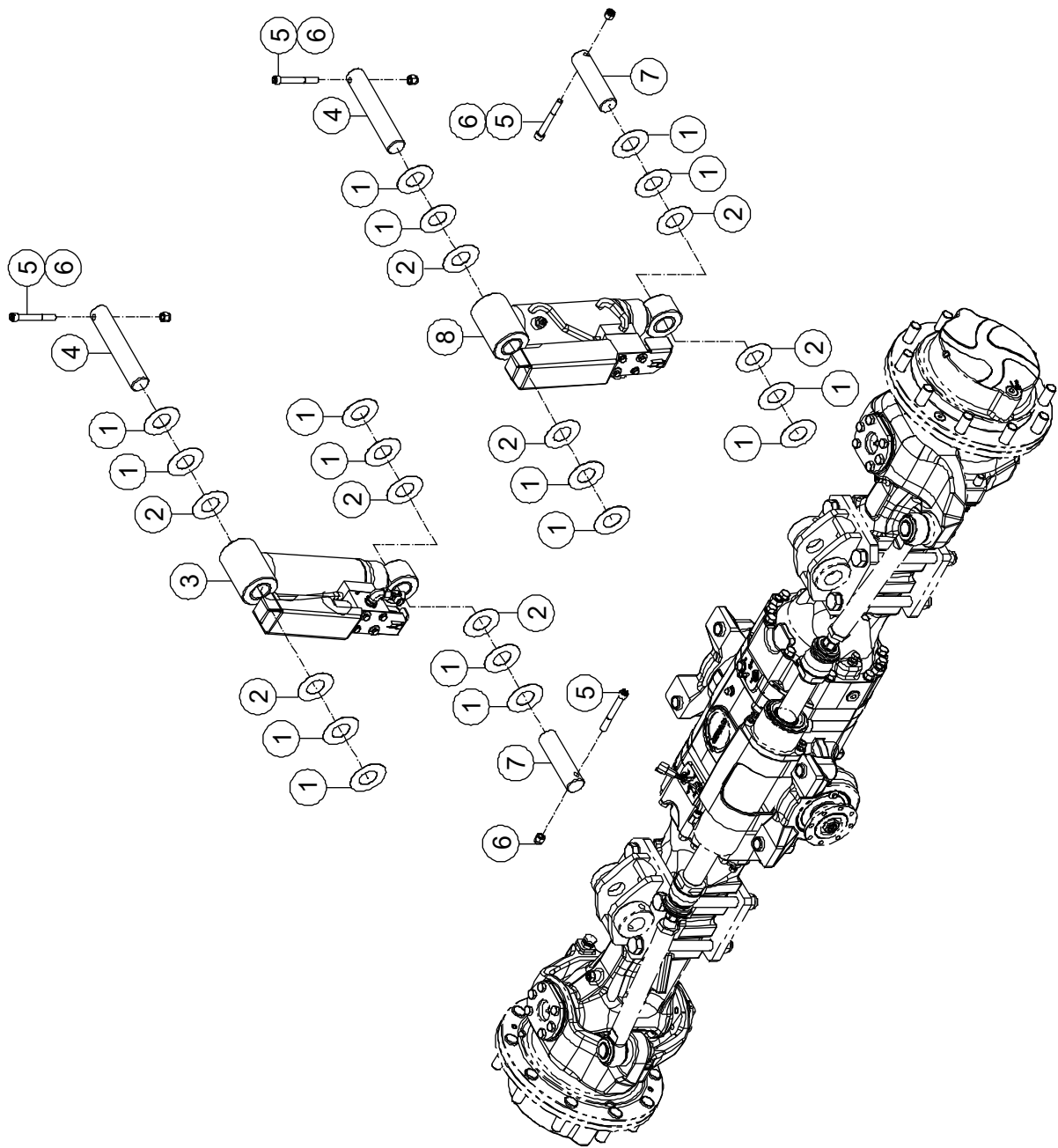
1-2 Axle Installations (Optional)

Item	Part Number	Description	Qty.	Remark
1	00008386	Rear Axle Assembly	1	
2	00004487	Nut GB/T 6182 M22	16	
3	00002550	Flat Washer GB/T 97.1 22	32	
4	00001249	Nut GB/T 6182 M12	8	
5	00000814	Flat Washer GB/T 97.1 12	24	
6	00002904	Bolt GB/T 5783 M14 × 40	8	
7	00001258	Spring Washer GB/T 93 14	8	
8	00001043	Flat Washer GB/T 97.1 14	8	
9	50005351	Bracket	2	
10	00002452	Bolt GB/T 5783 M12 × 45	8	
11	00002059	Bolt GB/T 5783 M12 × 30	8	
12	00000815	Spring Washer GB/T 93 12	8	
13	92102174	Bracket	1	
14	00001554	O-Ring	1	
15	92100570	Drive Motor Assembly	1	
16	00002224	Bolt GB/T 5783 M20 × 50	4	
17	00002219	Spring Washer GB/T 93 20	4	
18	00001050	Flat Washer GB/T 97.1 20	4	
19	00008387	Front Axle Assembly	1	
20	00002551	Bolt GB/T 5782 M22 × 240	16	
21	92029121	Seat, Axle Lockout Cylinder Assembly	2	
22	92029119	Bracket, Link	2	
23	00002552	Bolt GB/T 5782 M20 × 130	4	
24	00001050	Flat Washer GB/T 97.1 20	4	
25	00001059	Screw GB/T 70 M10 × 30	16	
26	00000679	Spring Washer GB/T 93 10	16	
27	00000615	Flat Washer GB/T 97.1 10	16	
28	92046490	Propeller Shaft	1	
29	92102177	Bracket	1	

1-2 Axle Installations (Optional) (Continued)

Item	Part Number	Description	Qty.	Remark
30	92003368	Bracket, Link	2	

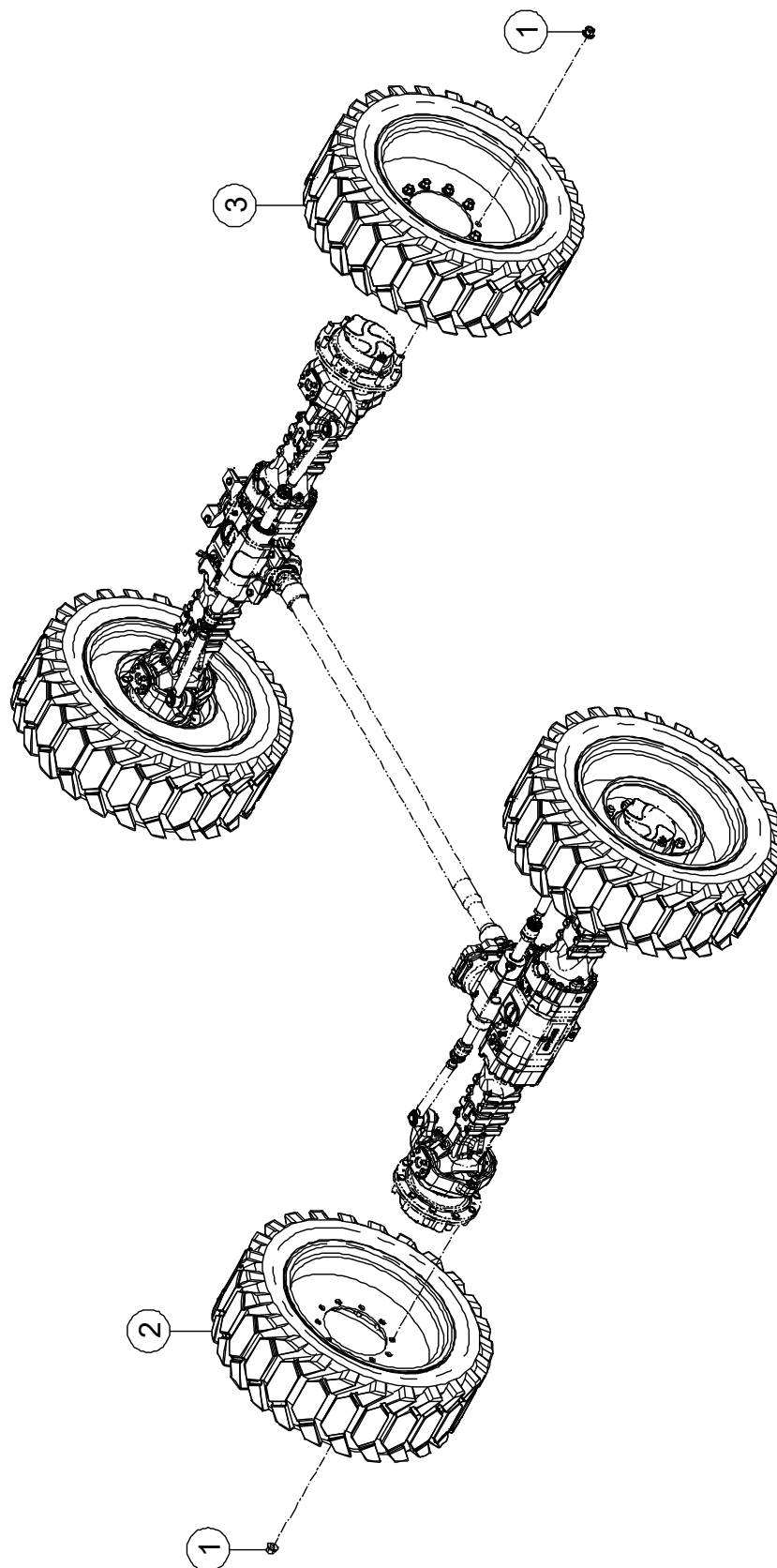
1-3 Axle Lockout Cylinder Installations



1-3 Axle Lockout Cylinder Installations

Item	Part Number	Description	Qty.	Remark
1	90029459	Shim	16	
2	90029460	Shim	8	
3		Left Axle Lockout Cylinder Assembly (Refer to 5-1)	1	
4	92029458	Pin	2	
5	00002554	Screw GB/T 70 M12 × 100	4	
6	00001249	Nut GB/T 6182 M12	4	
7	92029120	Pin	2	
8		Right Axle Lockout Cylinder Assembly (Refer to 5-2)	1	

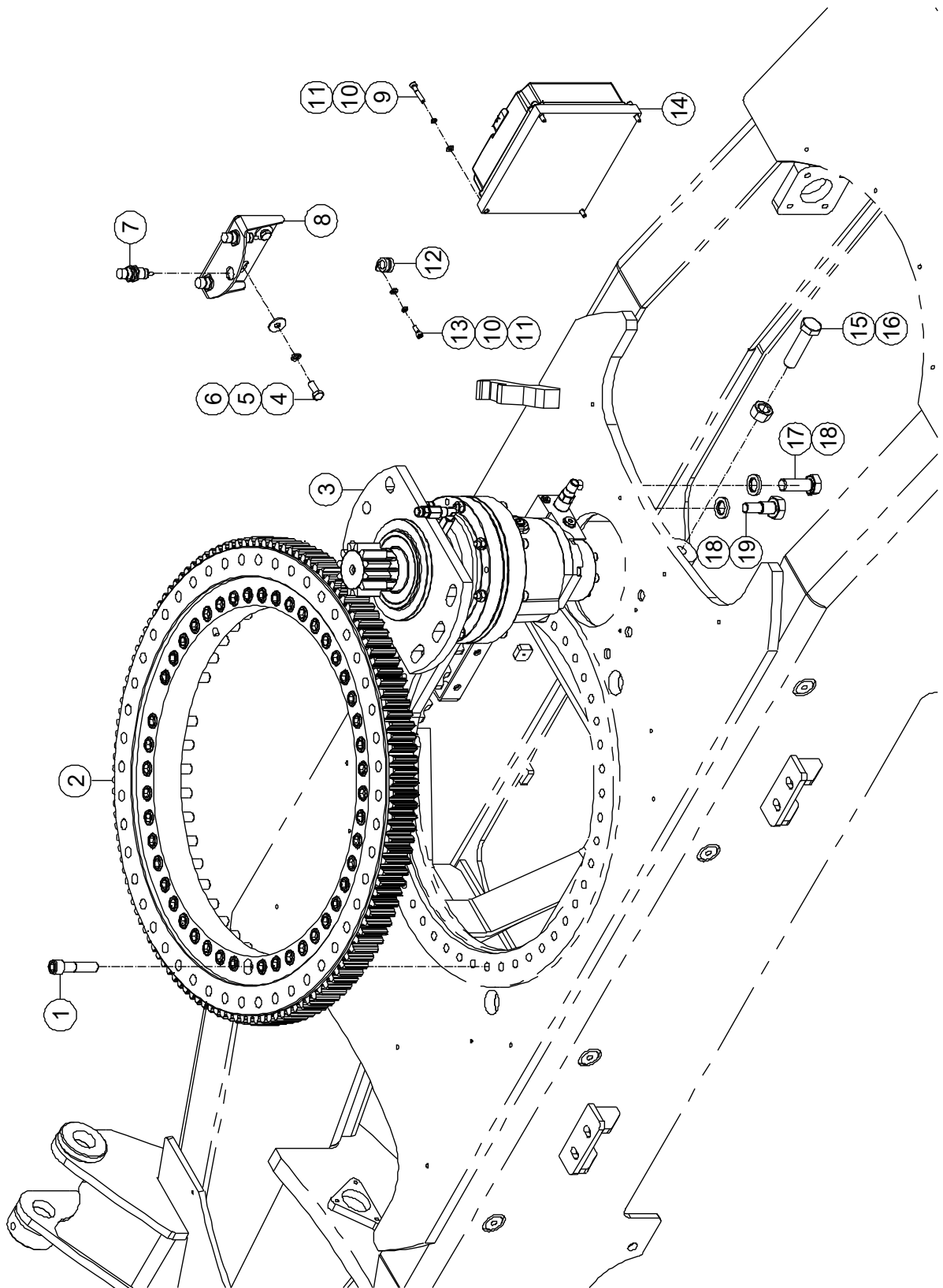
1-4 Tire and Wheel Installations



1-4 Tire and Wheel Installations

Item	Part Number	Description	Qty.	Remark
1	00002650	Nut M22×1.5	40	
2	92049187	Tire and Wheel Assembly (Left Side)	2	
3	92049175	Tire and Wheel Assembly (Right Side)	2	

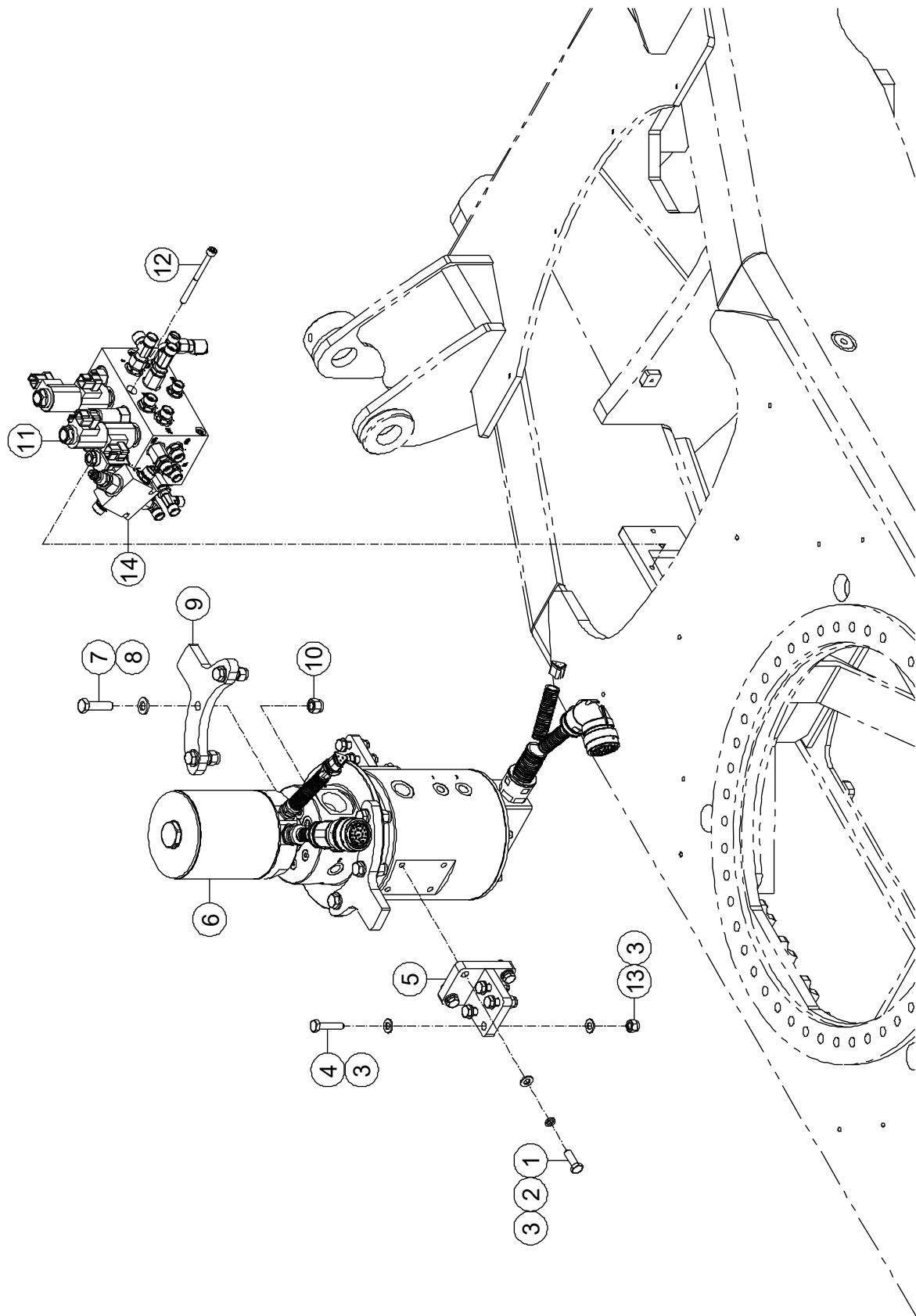
1-5 Slewing Ring Installations



1-5 Slewing Ring Installations

Item	Part Number	Description	Qty.	Remark
1	00002056	Screw GB/T 70 M16 × 70	47	
2	92047787	Slewing Ring	1	
3	00006823	Gearmotor	1	
--	00008952	Motor Assembly	1	
--	00008950	Valve Block	1	
4	00000678	Bolt GB/T 5783 M10 × 25	2	
5	00000679	Spring Washer GB/T 93 10	2	
6	00001028	Flat Washer GB/T 96.1 10	2	
7	00007341	Proximity Switch	3	
8	92049362	Bracket, Switch	1	
9	00002934	Screw GB/T 70 M6 × 35	4	
10	00000621	Spring Washer GB/T 93 6	5	
11	00000620	Flat Washer GB/T 97.1 6	5	
12	92100579	Clamp	1	
13	00000876	Screw GB/T 70 M6 × 16	1	
14	92100569	Motor Controller	1	
15	00003875	Bolt GB/T 5783 M20 × 80	1	
16	00002272	Nut GB/T 6170 M20	1	
17	00002734	Bolt GB/T 5783 M20 × 55	5	
18	00001103	Flat Washer 20 JB/ZQ 4080-2006	6	
19	92100255	Bolt M16	1	

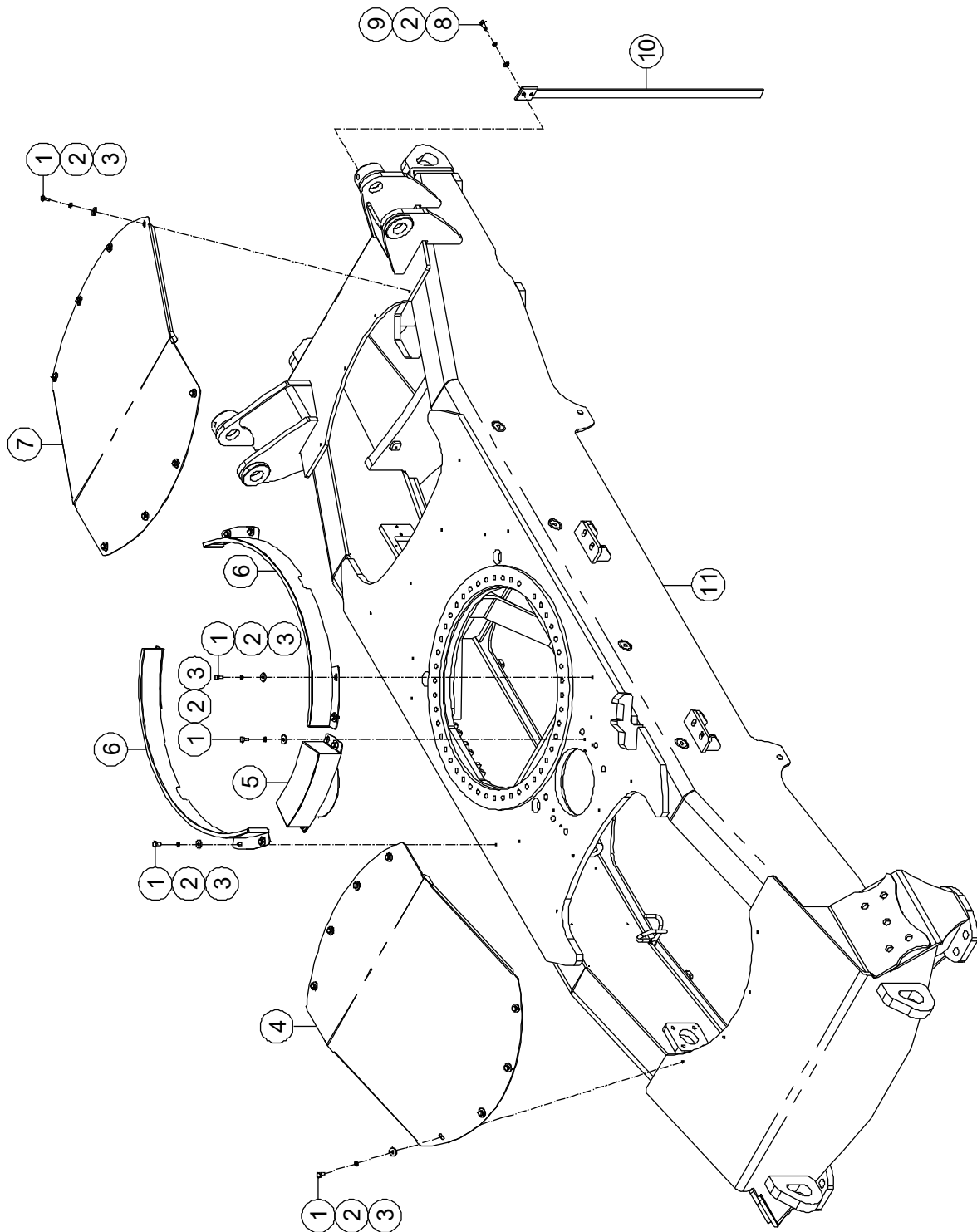
1-6 Rotary Coupling Installations



1-6 Rotary Coupling Installations

Item	Part Number	Description	Qty.	Remark
1	00000683	Bolt GB/T 5783 M10 × 30	8	
2	00000679	Spring Washer GB/T 93 10	8	
3	00000615	Flat Washer GB/T 97.1 10	24	
4	00002411	Bolt GB/T 5783 M10 × 45	8	
5	92029130	Support	2	
6	92047837	Rotary Coupling Assembly	1	
--	00009008	Slip Ring	1	
7	00002452	Bolt GB/T 5783 M12 × 45	6	
8	00000814	Flat Washer GB/T 97.1 12	6	
9	92049365	Plate	2	
10	00001249	Nut GB/T 6182 M12	6	
11	92049352	Chassis Manifold (<i>Refer to 1-19</i>)	1	
12	00002497	Screw GB/T 70 M8 × 100	3	
13	00000623	Nut GB/T 6182 M10	8	
14	92100615	Cartridge, Pressure Reducing Valve	1	

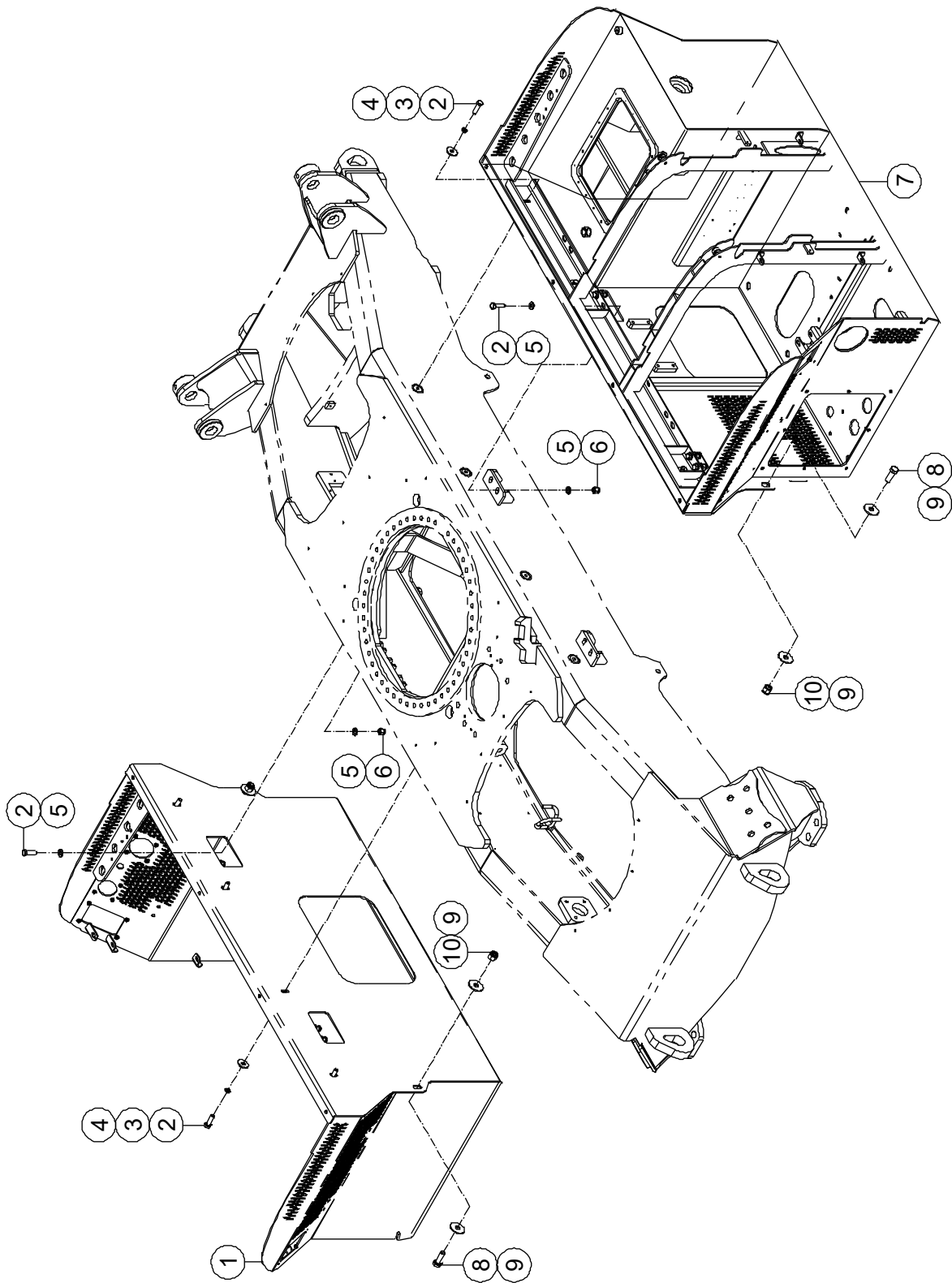
1-7 Chassis Components



1-7 Chassis Components

Item	Part Number	Description	Qty.	Remark
1	00001063	Bolt GB/T 5783 M8 × 16	28	
2	00000609	Spring Washer GB/T 93 8	29	
3	00002000	Flat Washer GB/T 96.1 8	28	
4	92100568	Cover	1	
5	92100259	Housing	1	
6	92049340	Housing	2	
7	92049190	Cover	1	
8	00000875	Bolt GB/T 5783 M8 × 20	1	
9	00000608	Flat Washer GB/T 97.1 8	1	
10	00006555	Ground Strap	1	
11	92101452	Chassis	1	

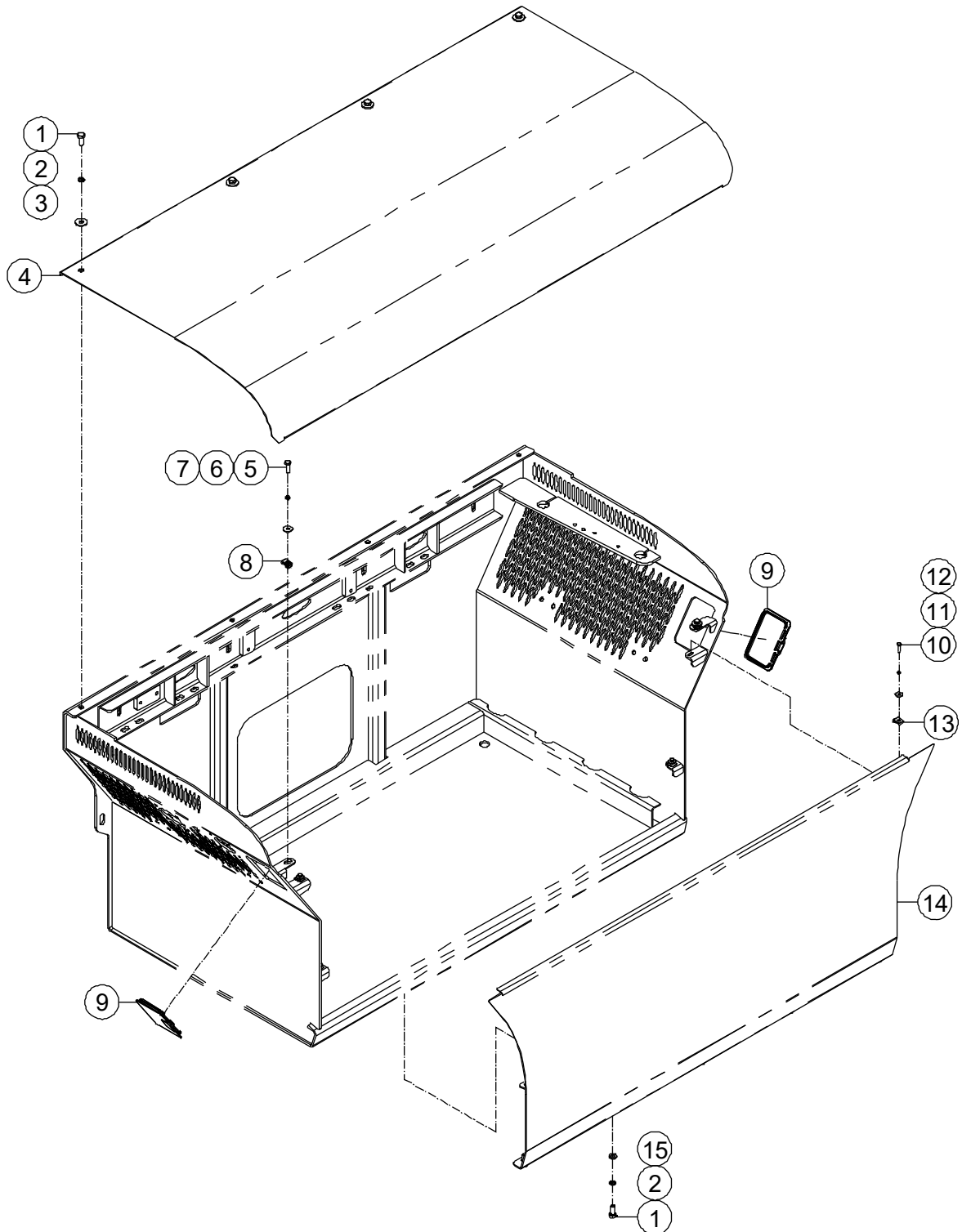
1-8 Module Installations



1-8 Module Installations

Item	Part Number	Description	Qty.	Remark
1	92100910	Battery Module	1	
2	00001055	Bolt GB/T 5783 M12 × 40	16	
3	00000815	Spring Washer GB/T 93 12	8	
4	00002601	Flat Washer GB/T 96.1 12	8	
5	00000814	Flat Washer GB/T 97.1 12	16	
6	00001249	Nut GB/T 6182 M12	8	
7	92100908	Hydraulic Module	1	
8	00001057	Bolt GB/T 5783 M16 × 45	4	
9	00003071	Flat Washer GB/T 96.1 16	8	
10	00001257	Nut GB/T 6182 M16	4	

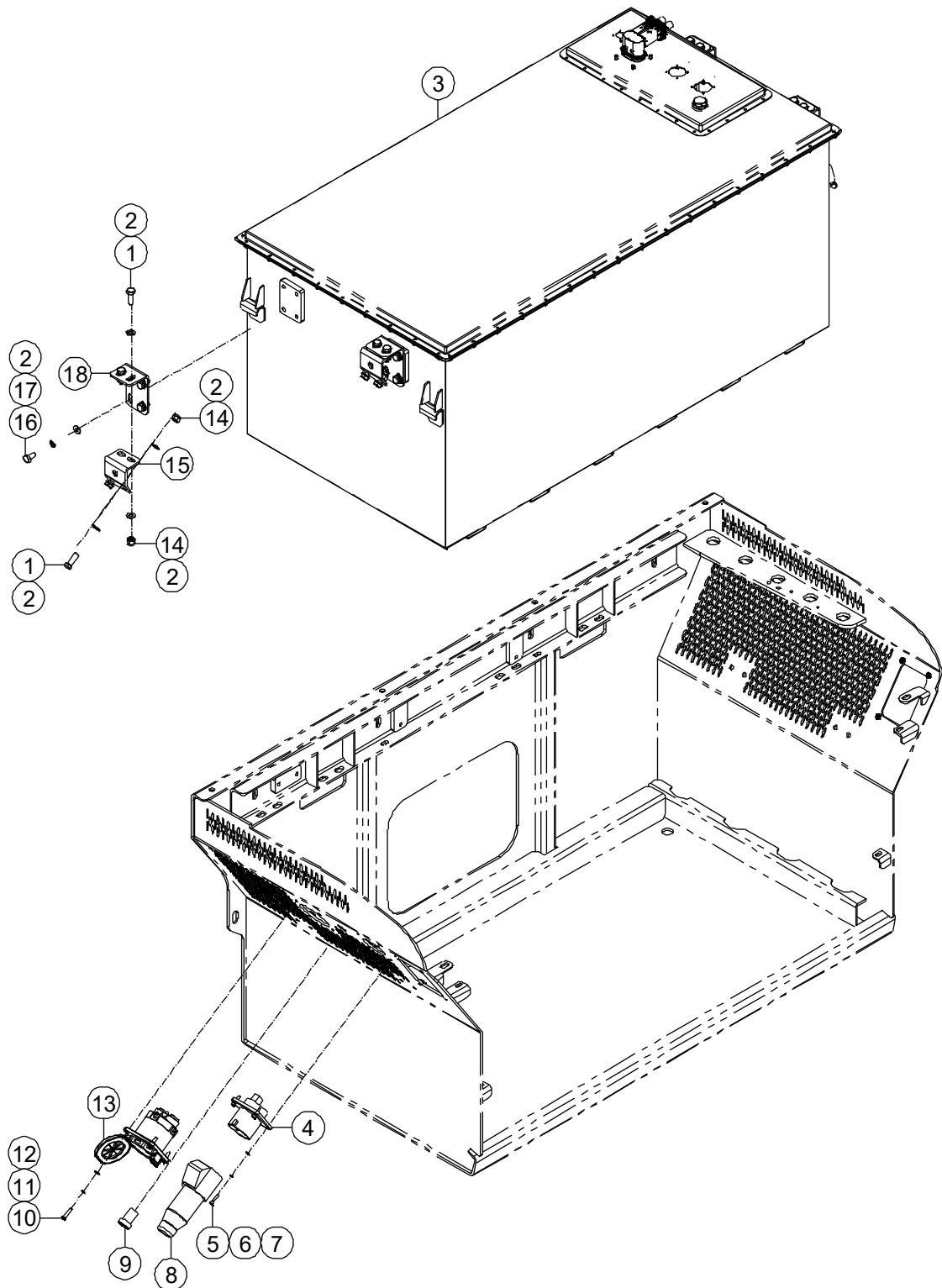
1-9 Battery Module Assembly 1



1-9 Battery Module Assembly 1

Item	Part Number	Description	Qty.	Remark
1	00000678	Bolt GB/T 5783 M10 × 25	9	
2	00000679	Spring Washer GB/T 93 10	9	
3	00001028	Flat Washer GB/T 96.1 10	4	
4	92100922	Cover	1	
5	00000993	Bolt GB/T 5783 M8 × 25	2	
6	00000609	Spring Washer GB/T 93 8	2	
7	00002000	Flat Washer GB/T 96.1 8	2	
8	00006251	Nut QC/T 885 M8	2	
9	92101175	Cover	2	
10	00000743	Bolt GB/T 5783 M6 × 20	4	
11	00000621	Spring Washer GB/T 93 6	4	
12	00002583	Flat Washer GB/T 96.1 6	4	
13	50000112	Nut QC/T 885 M6	4	
14	92100919	Cover	1	
15	00000615	Flat Washer GB/T 97.1 10	5	

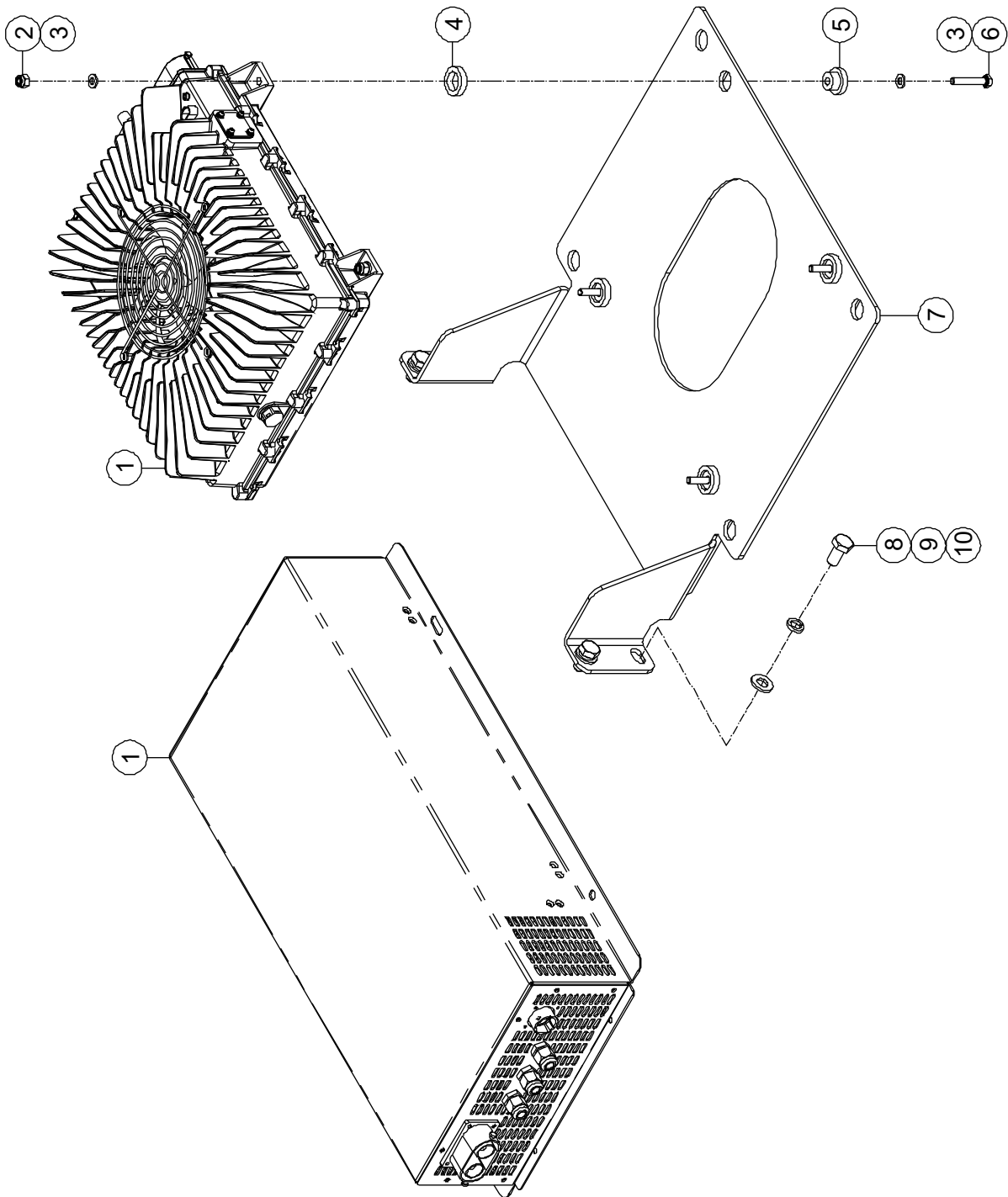
1-10 Battery Module Assembly 2



1-10 Battery Module Assembly 2

Item	Part Number	Description	Qty.	Remark
1	00000683	Bolt GB/T 5783 M10 × 30	16	
2	00000615	Flat Washer GB/T 97.1 10	48	
3	92100562	Battery	1	BA28ERT BA28BERT
	00007384	Battery	1	BA24ERT BA24BERT Standard
	92100562	Battery	1	BA24ERT BA24BERT Optional
4	92100612	Plug (Blue)	1	Standard
	00008354	Plug (Red)	1	Optional
5	00000817	Screw GB/T 70 M5 × 20	4	
6	00000606	Spring Washer GB/T 93 5	4	
7	00000605	Flat Washer GB/T 97.1 5	4	
8	92100613	Socket (Blue)	1	Standard
	00008355	Socket (Red)	1	Optional
9	92100534	Charger Indicator	1	
10	00000619	Bolt GB/T 5783 M6 × 25	4	
11	00000621	Spring Washer GB/T 93 6	4	
12	00000620	Flat Washer GB/T 97.1 6	4	
13	92100691	Cover	1	Standard
	92100566	Socket, Fast Charger	1	Optional
14	00000623	Nut GB/T 6182 M10	16	
15	92100561	Support	4	
16	00000674	Bolt GB/T 5783 M10 × 20	16	
17	00000679	Spring Washer GB/T 93 10	16	
18	92100560	Support	4	

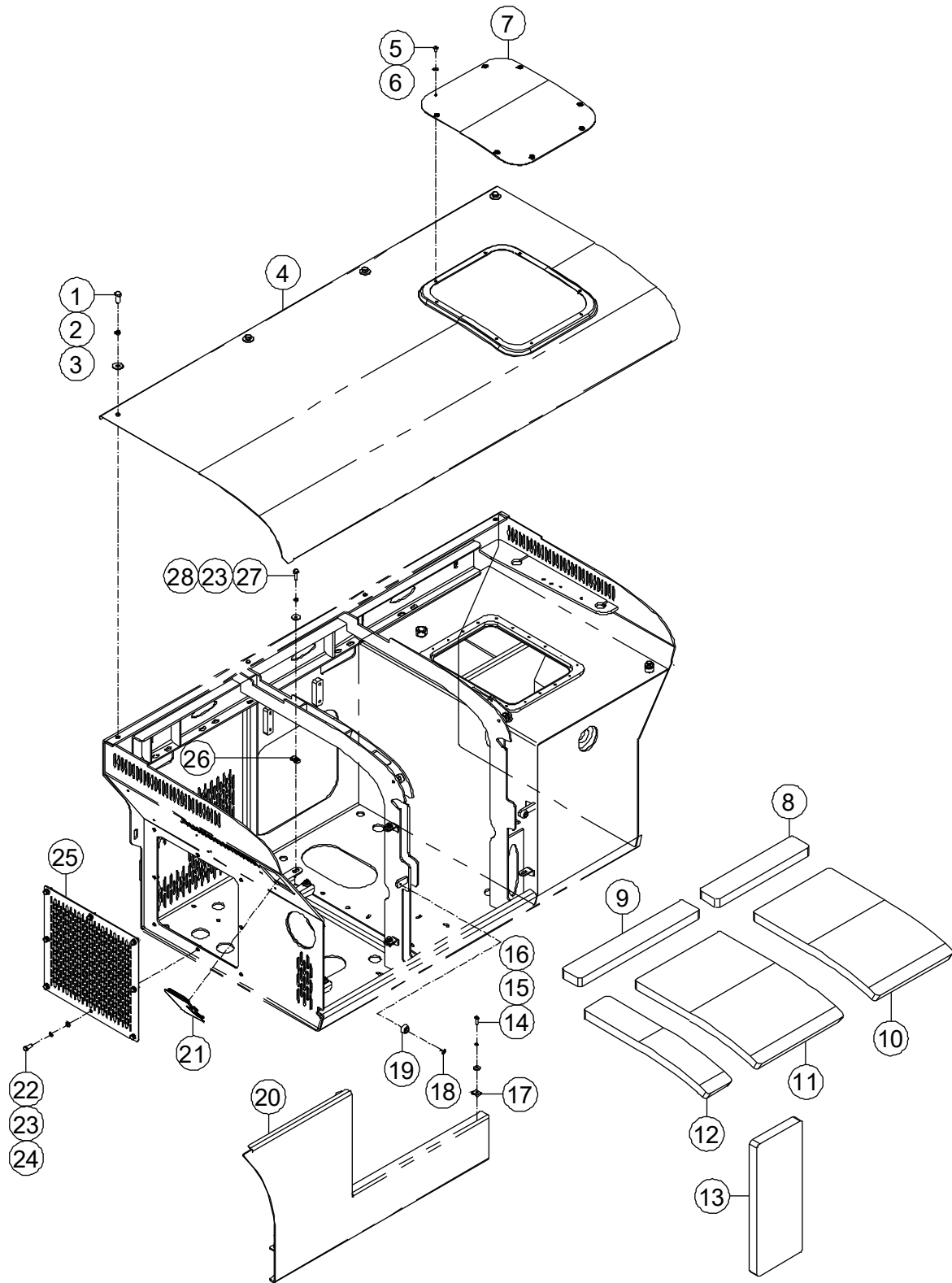
1-11 Charger Assembly with Bracket



1-11 Charger Assembly with Bracket

Item	Part Number	Description	Qty.	Remark
1	92100559	Charger	1	Standard
	00008241	Charger	1	Optional
2	00001033	Nut GB/T 6182 M6	4	
3	00000620	Flat Washer GB/T 97.1 6	8	
4	50002380	Nylon Insulator	4	
5	50002379	Nylon Insulator	4	
6	00002895	Bolt GB/T 5783 M6 × 35	4	
7	92101057	Bracket, Charger	1	
8	00000674	Bolt GB/T 5783 M10 × 20	4	
9	00000679	Spring Washer GB/T 93 10	4	
10	00000615	Flat Washer GB/T 97.1 10	4	

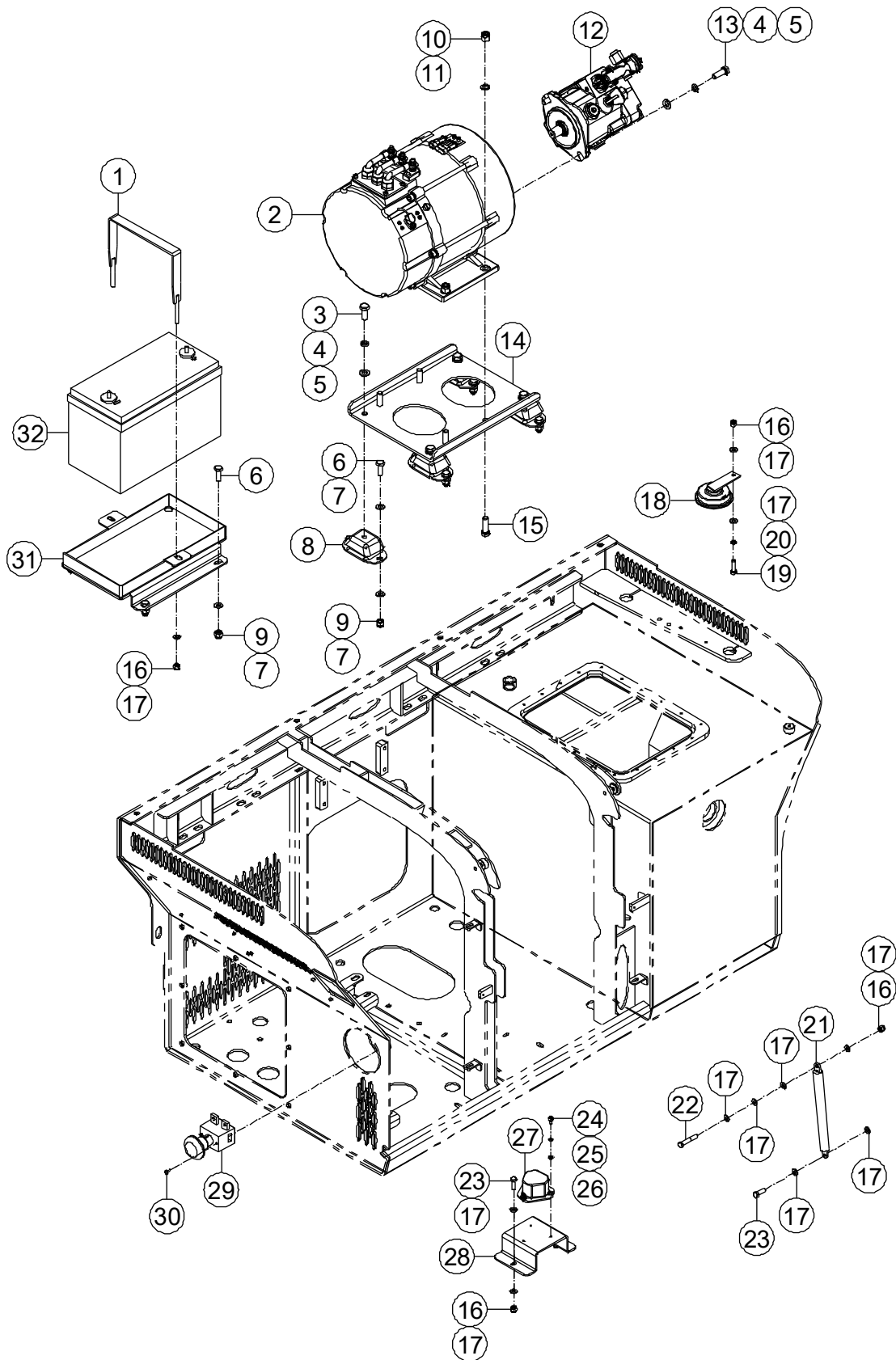
1-12 Hydraulic Module Assembly 1



1-12 Hydraulic Module Assembly 1

Item	Part Number	Description	Qty.	Remark
1	00000678	Bolt GB/T 5783 M10 × 25	4	
2	00000679	Spring Washer GB/T 93 10	4	
3	00001028	Flat Washer GB/T 96.1 10	4	
4	92100926	Cover	1	
5	00001012	Screw GB/T 973 M5×14	8	
6	00003545	Flat Washer GB/T 96.1 5	8	
7	92101403	Cover	1	
8	92100967	Soundproof Cotton	1	
9	92100966	Soundproof Cotton	1	
10	92100970	Soundproof Cotton	1	
11	92100969	Soundproof Cotton	1	
12	92100968	Soundproof Cotton	1	
13	92100689	Soundproof Cotton	1	
14	00000743	Bolt GB/T 5783 M6 × 20	5	
15	00000621	Spring Washer GB/T 93 6	5	
16	00002583	Flat Washer GB/T 96.1 6	5	
17	50000112	Nut QC/T 885 M6	5	
18	00001011	Screw GB/T 973 M5×12	2	
19	10000376	Spacer, rubber	2	
20	92100915	Cover	1	
21	92101175	Cover	1	
22	00000875	Bolt GB/T 5783 M8 × 20	9	
23	00000609	Spring Washer GB/T 93 8	10	
24	00000608	Flat Washer GB/T 97.1 8	8	
25	92100638	Cover	1	
26	00006251	Nut QC/T 885 M8	1	
27	00000993	Bolt GB/T 5783 M8 × 25	1	
28	00002000	Flat Washer GB/T 96.1 8	2	

1-13 Hydraulic Module Assembly 2



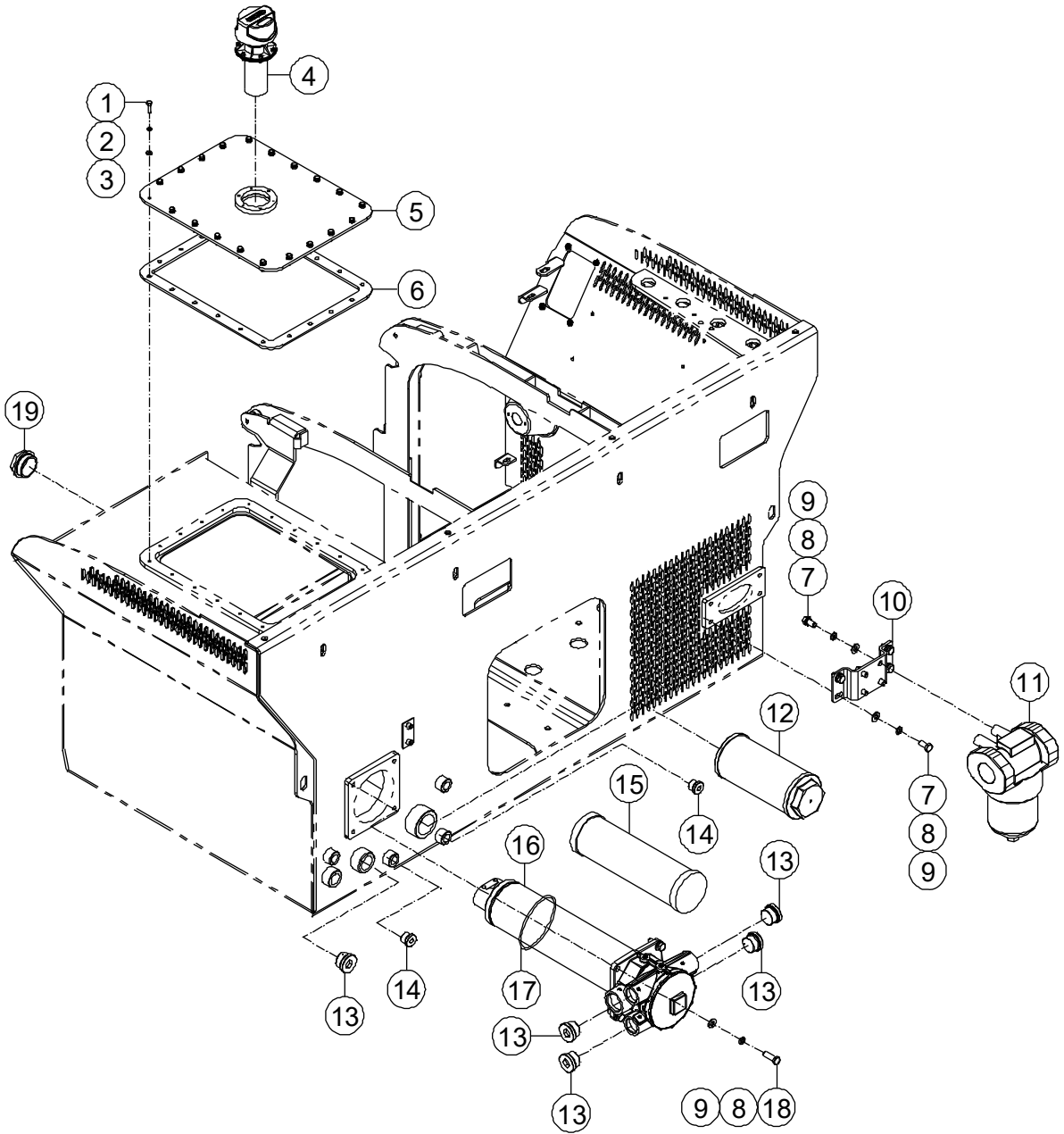
1-13 Hydraulic Module Assembly 2

Item	Part Number	Description	Qty.	Remark
1	10004590	Plate	1	
2	92100539	Motor Assembly	1	
3	00002059	Bolt GB/T 5783 M12 × 30	4	
4	00000815	Spring Washer GB/T 93 12	6	
5	00000814	Flat Washer GB/T 97.1 12	6	
6	00000683	Bolt GB/T 5783 M10 × 30	12	
7	00000615	Flat Washer GB/T 97.1 10	20	
8	92100536	Rubber Mounting	4	
9	00000623	Nut GB/T 6182 M10	12	
10	00001249	Nut GB/T 6182 M12	4	
11	00007116	Flat Washer GB/T 848 - 12	4	
12	00008244	Function Pump Assembly	1	Standard
	92100690	Function Pump Assembly	1	Optional
13	00002046	Bolt GB/T 5783 M12 × 35	2	
14	92100538	Bracket	1	
15	00001055	Bolt GB/T 5783 M12 × 40	4	
16	00001163	Nut GB/T 6182 M8	6	
17	00000608	Flat Washer GB/T 97.1 8	14	
18	00002212	Horn	1	
19	00000995	Bolt GB/T 5783 M8 × 30	1	
20	00000609	Spring Washer GB/T 93 8	1	
21	92004808	Spring, Gas	1	
22	00002089	Bolt GB/T 5782 M8 × 50	1	
23	00000993	Bolt GB/T 5783 M8 × 25	3	
24	00002029	Screw GB/T 70 M6 × 12	3	
25	00000621	Spring Washer GB/T 93 6	3	
26	00000620	Flat Washer GB/T 97.1 6	3	

1-13 Hydraulic Module Assembly 2 (Continued)

Item	Part Number	Description	Qty.	Remark
27	00002610	Tilt Sensor	1	Standard, single channel
	00002917	Tilt Sensor	1	Optional, dual channel
28	50005363	Bracket, Sensor	1	
29	00000655	Switch	1	
30	00002319	Screw GB/T 818 M5 × 10 - H	2	
31	92100503	Box, Battery	1	
32	00004485	Battery	1	

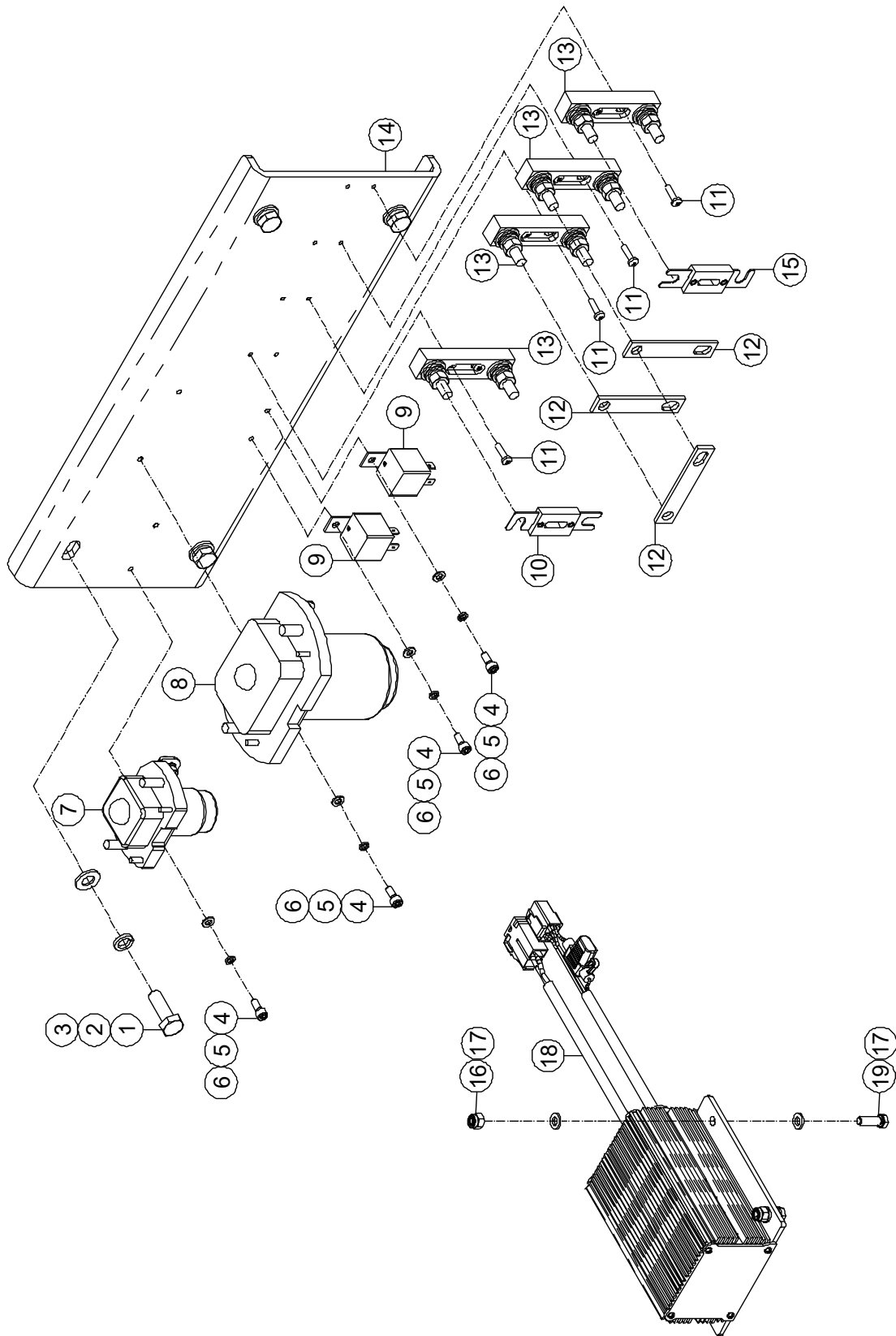
1-14 Hydraulic Module Assembly 3



1-14 Hydraulic Module Assembly 3

Item	Part Number	Description	Qty.	Remark
1	00000743	Bolt GB/T 5783 M6 × 20	20	
2	00000621	Spring Washer GB/T 93 6	20	
3	00000620	Flat Washer GB/T 97.1 6	20	
4	90012734	Breather/Fill Cap	1	
5	92100213	Strainer, Suction	1	
6	50001438	Gasket	1	
7	00000674	Bolt GB/T 5783 M10 × 20	8	
8	00000679	Spring Washer GB/T 93 10	12	
9	00000615	Flat Washer GB/T 97.1 10	12	
10	92000113	Support	1	
11	00001871	Pressure Filter	1	
12	90029476	Filter Cartridge	1	
13	00001116	Plug VST11ED	5	
14	00001114	Plug VST11/2ED	3	
15	90023094	Filter Cartridge	1	
16	90018480	Pipe Connection	1	
17	92009952	O-Ring	1	
18	00000683	Bolt GB/T 5783 M10 × 30	4	
19	90015911	Level Indicator	1	

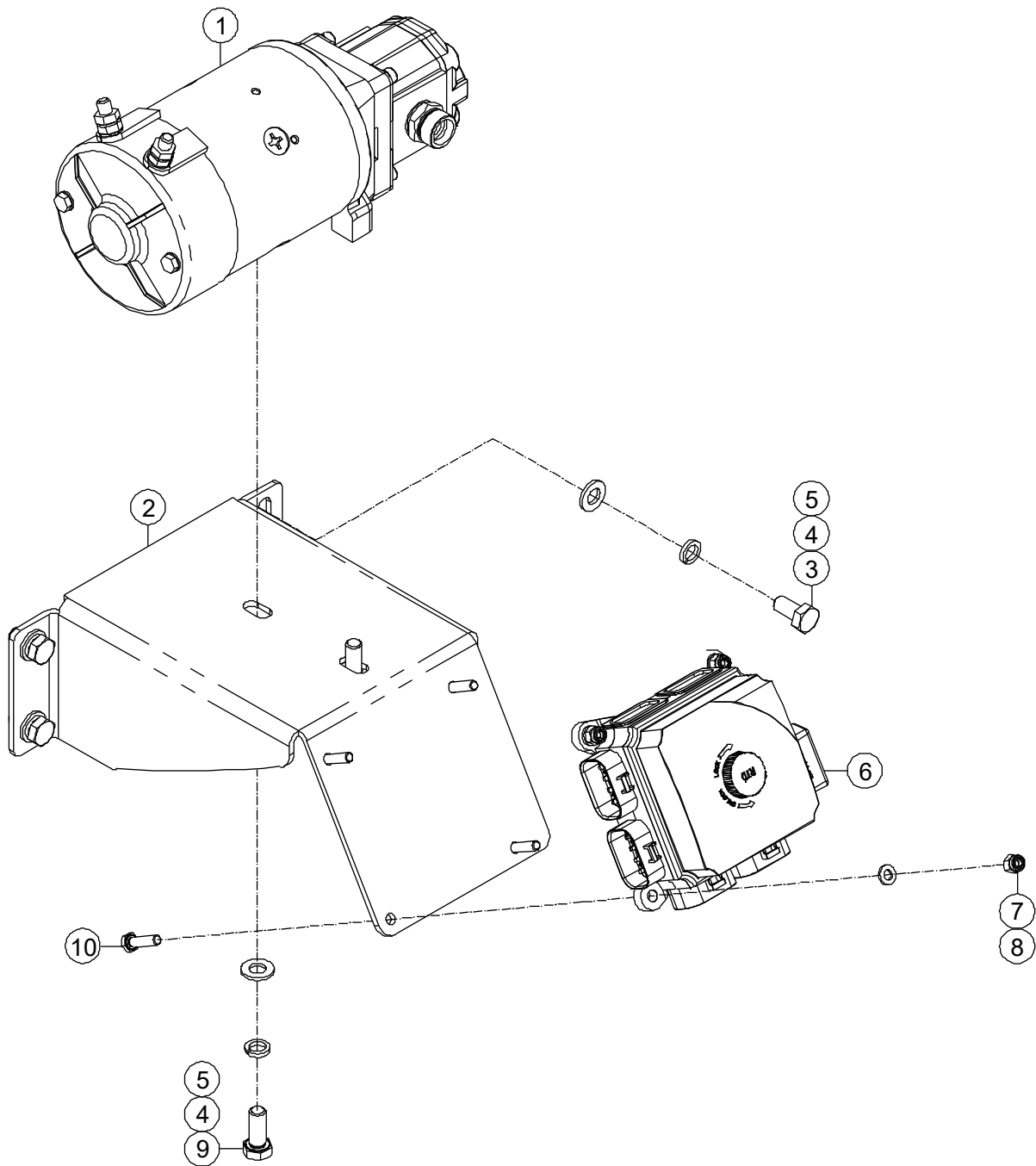
1-15 Fuse Assembly



1-15 Fuse Assembly

Item	Part Number	Description	Qty.	Remark
1	00000683	Bolt GB/T 5783 M10 × 30	4	
2	00000679	Spring Washer GB/T 93 10	4	
3	00000615	Flat Washer GB/T 97.1 10	4	
4	00001252	Screw GB/T 70 M5 × 12	6	
5	00000606	Spring Washer GB/T 93 5	6	
6	00000605	Flat Washer GB/T 97.1 5	6	
7	00002205	Contactoer	1	
8	00005407	Contactoer	1	
9	00006280	Relay	2	
10	00006266	600A Fuse	1	
11	00001232	Screw GB/T 818 M4 × 16 - H	8	
12	50000099	Copper Bar 3	3	
13	00000757	Seat, Fuse	4	
14	92101045	Support	1	
15	00000759	200A Fuse	1	
16	00001033	Nut GB/T 6182 M6	4	
17	00000620	Flat Washer GB/T 97.1 6	8	
18	00007381	Dc Power Supply	1	
19	00000743	Bolt GB/T 5783 M6 × 20	4	

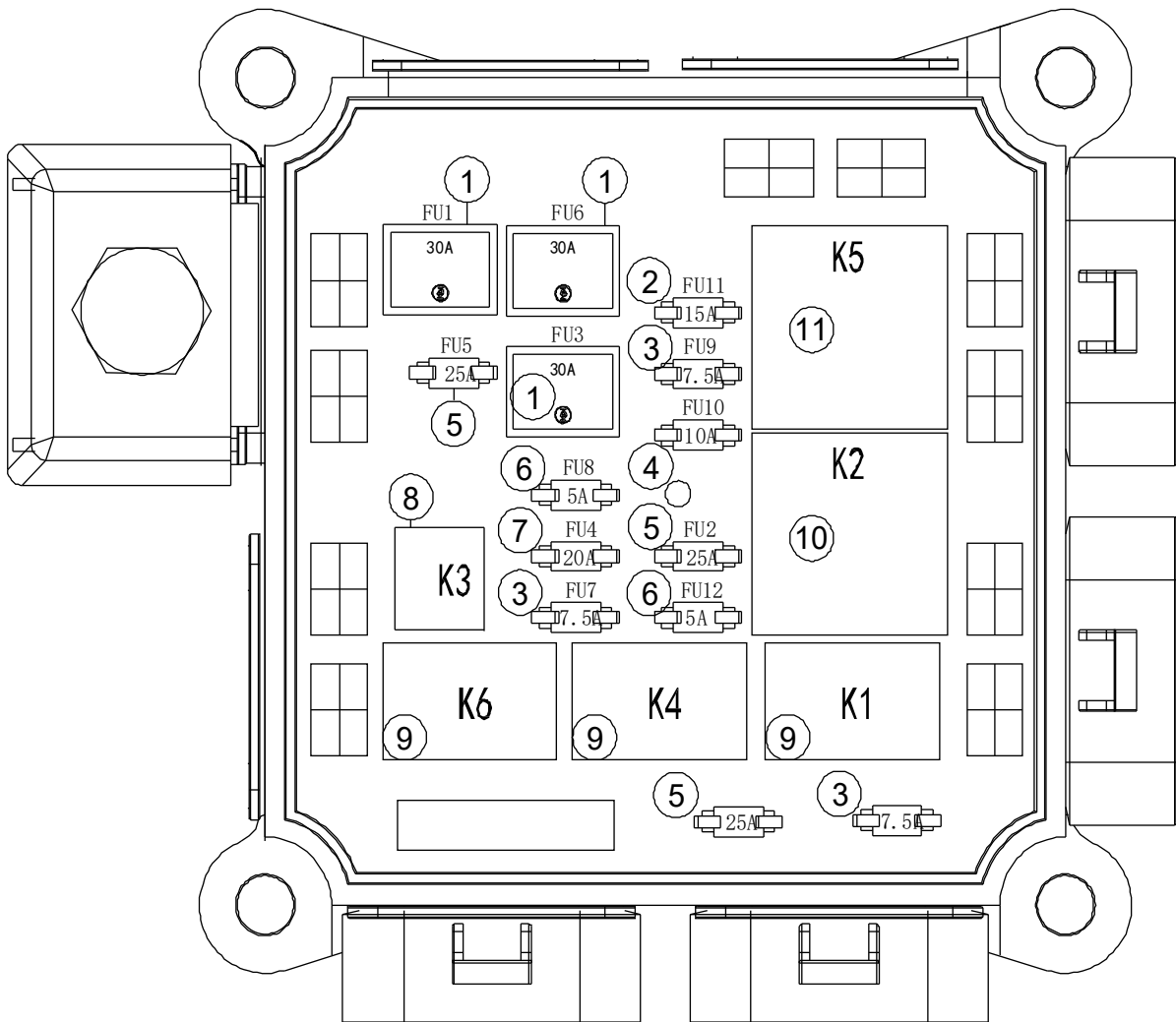
1-16 Motor/Pump Assembly



1-16 Motor/Pump Assembly

Item	Part Number	Description	Qty.	Remark
1	00006580	Emergency Pump Assembly	1	
--	00006954	Motor	1	
--	00006955	Pump	1	
2	92100501	Bracket	1	
3	00000674	Bolt GB/T 5783 M10 × 20	4	
4	00000679	Spring Washer GB/T 93 10	6	
5	00000615	Flat Washer GB/T 97.1 10	6	
6	00006155	Power Distribution Module (<i>Refer to 1-17</i>)	1	
7	00001033	Nut GB/T 6182 M6	4	
8	00000620	Flat Washer GB/T 97.1 6	4	
9	00000678	Bolt GB/T 5783 M10 × 25	2	
10	00000619	Bolt GB/T 5783 M6 × 25	4	

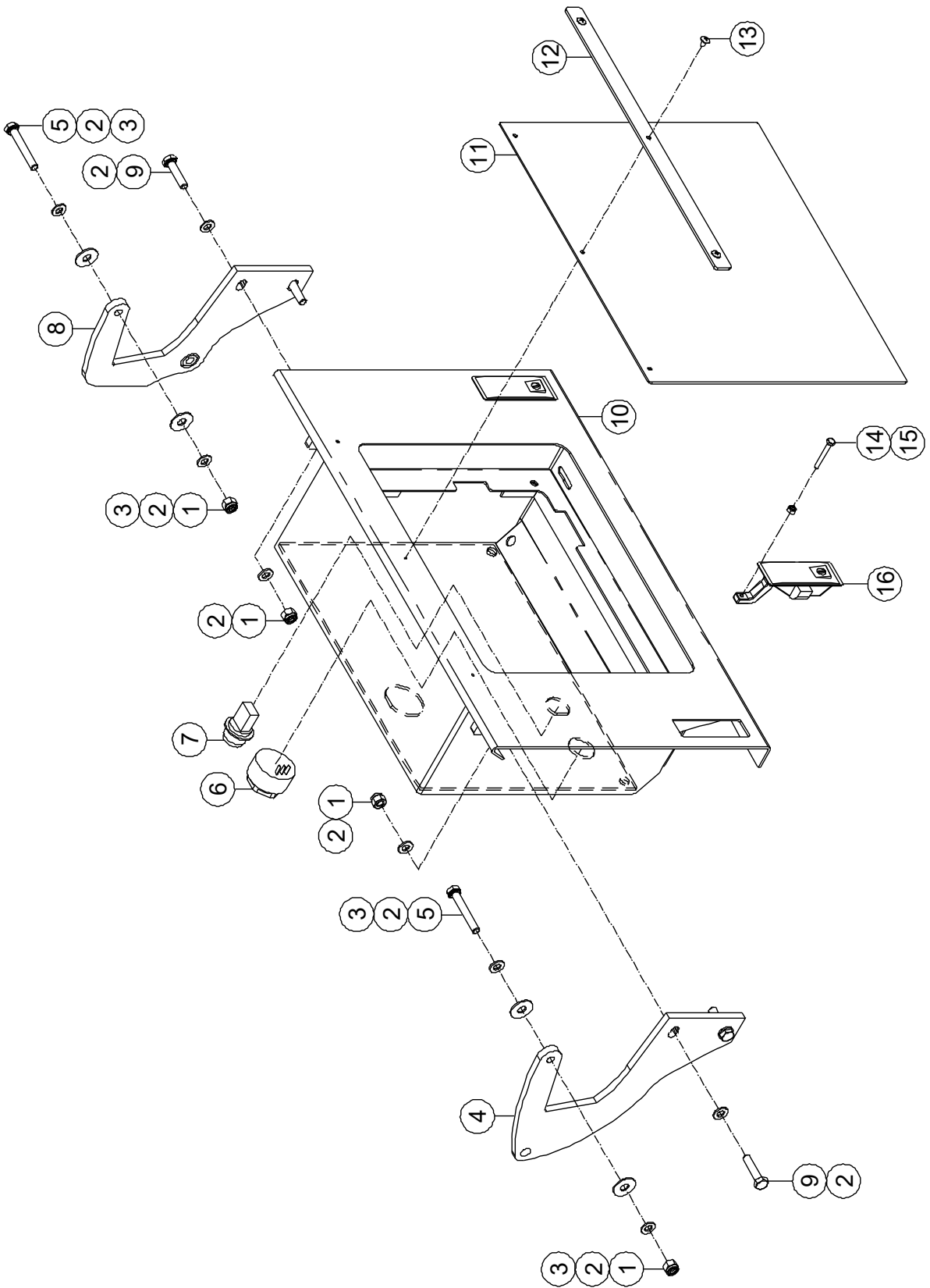
1-17 Power Distribution Module



1-17 Power Distribution Module

Item	Part Number	Description	Qty.	Remark
1	00010918	Fuse 30A	3	
2	00010916	Fuse 15A	1	
3	00010914	Fuse 7.5A	3	
4	00010915	Fuse 10A	1	
5	00010930	Fuse 25A	2	
6	00010913	Fuse 5A	2	
7	00010917	Fuse 20A	1	
8	00010921	Relay	1	
9	00010919	Relay	3	
10	00010920	Relay	1	
11	00010922	Relay	1	

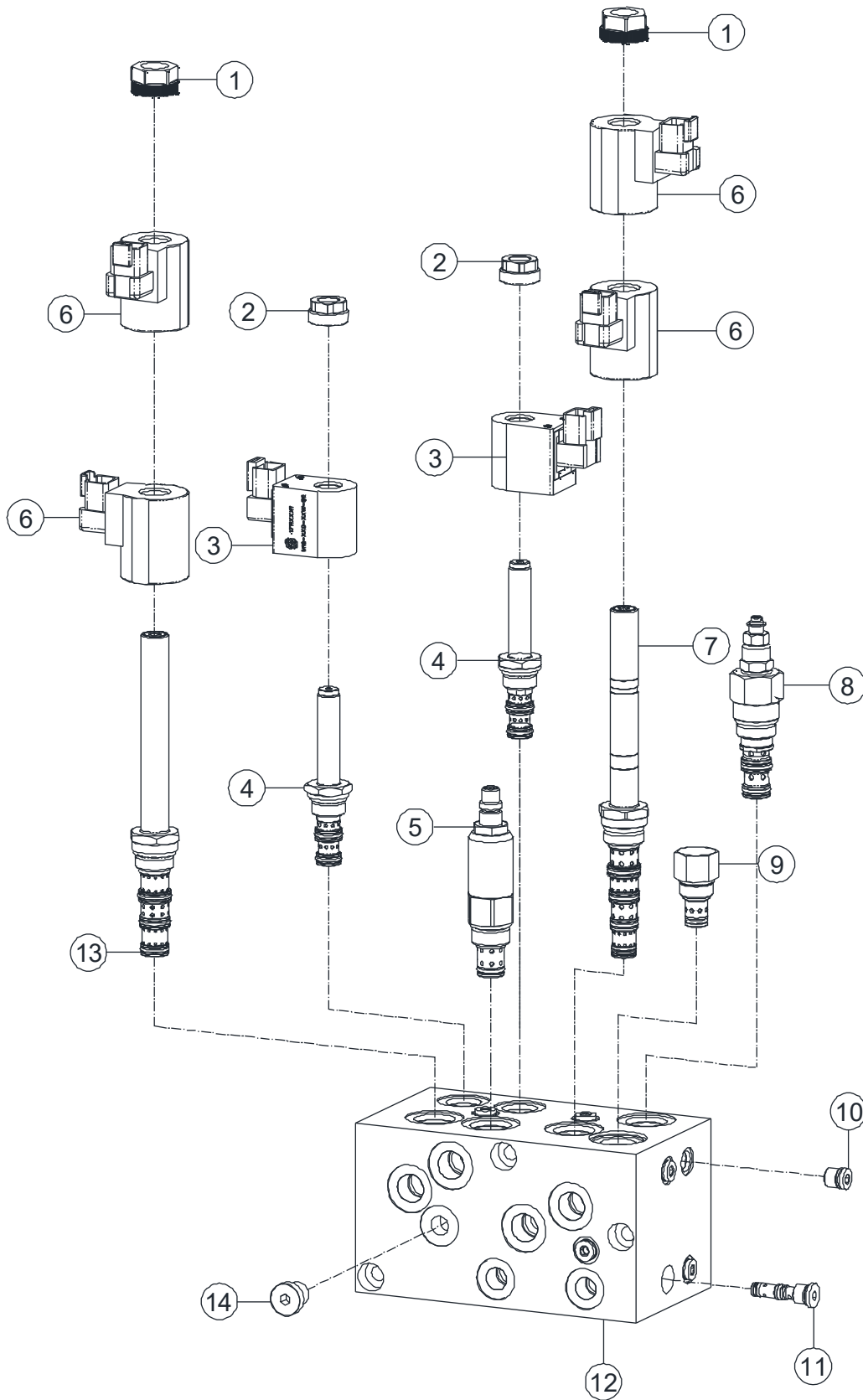
1-18 Ground Control Box Assembly



1-18 Ground Control Box Assembly

Item	Part Number	Description	Qty.	Remark
1	00001163	Nut GB/T 6182 M8	6	
2	00000608	Flat Washer GB/T 97.1 8	12	
3	92048976	Shim	4	
4	92048966	Hinge	1	
5	00002507	Bolt GB/T 5783 M8 × 55	2	
6	00002326	Alarm	1	
7	00006260	USB Port	1	
8	92100576	Shim	1	
9	00002488	Bolt GB/T 5783 M8 × 35	4	
10	92048954	Ground Control Box	1	
11	92000277	Shield, Plastic	1	
12	92000278	Plate	1	
13	00001001	Screw GB/T 973 M4×8	3	
14	00006261	Bolt GB/T 5783 M5 × 35	2	
15	00000688	Nut GB/T 6170 M5	2	
16	92048979	Lock	2	

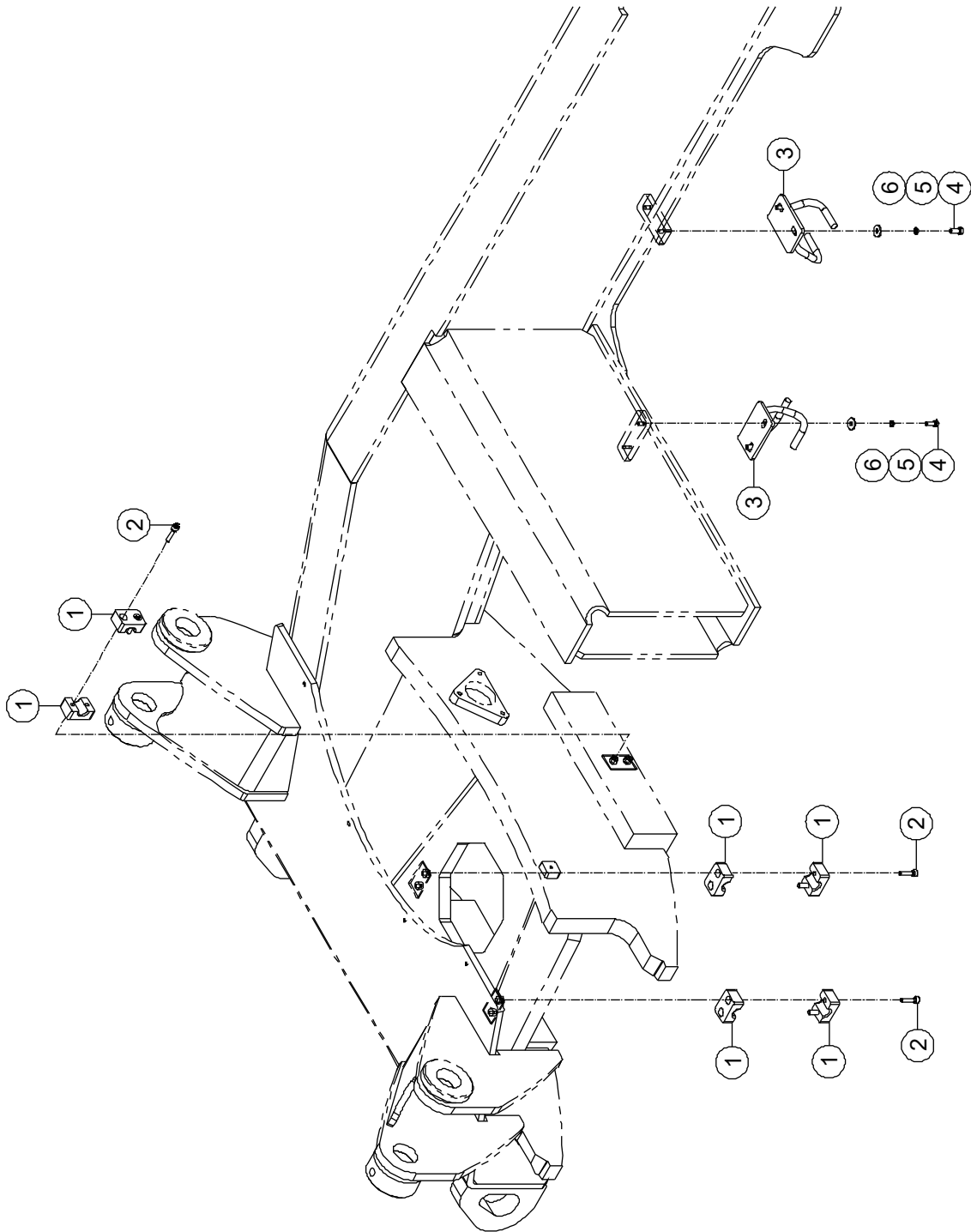
1-19 Chassis Manifold



1-19 Chassis Manifold

Item	Part Number	Description	Qty.	Remark
1	00003353	Nut	2	
2	00003352	Nut	2	
3	00003320	Coil	2	
4	00003301	Cartridge, Solenoid Valve	2	
5	00003591	Cartridge, Relief Valve	1	
6	00003319	Coil	4	
7	00006950	Cartridge, Solenoid Valve	1	
8	00006948	Cartridge, Pressure Reducing Valve	1	
9	00006947	Cartridge, Flow Control Valve	1	
10	00004342	Plug	10	
11	00003291	Cartridge, Shuttle Valve	1	
12	00006941	Body	1	
13	00000293	Cartridge, Solenoid Valve	1	
14	00001111	Plug	1	

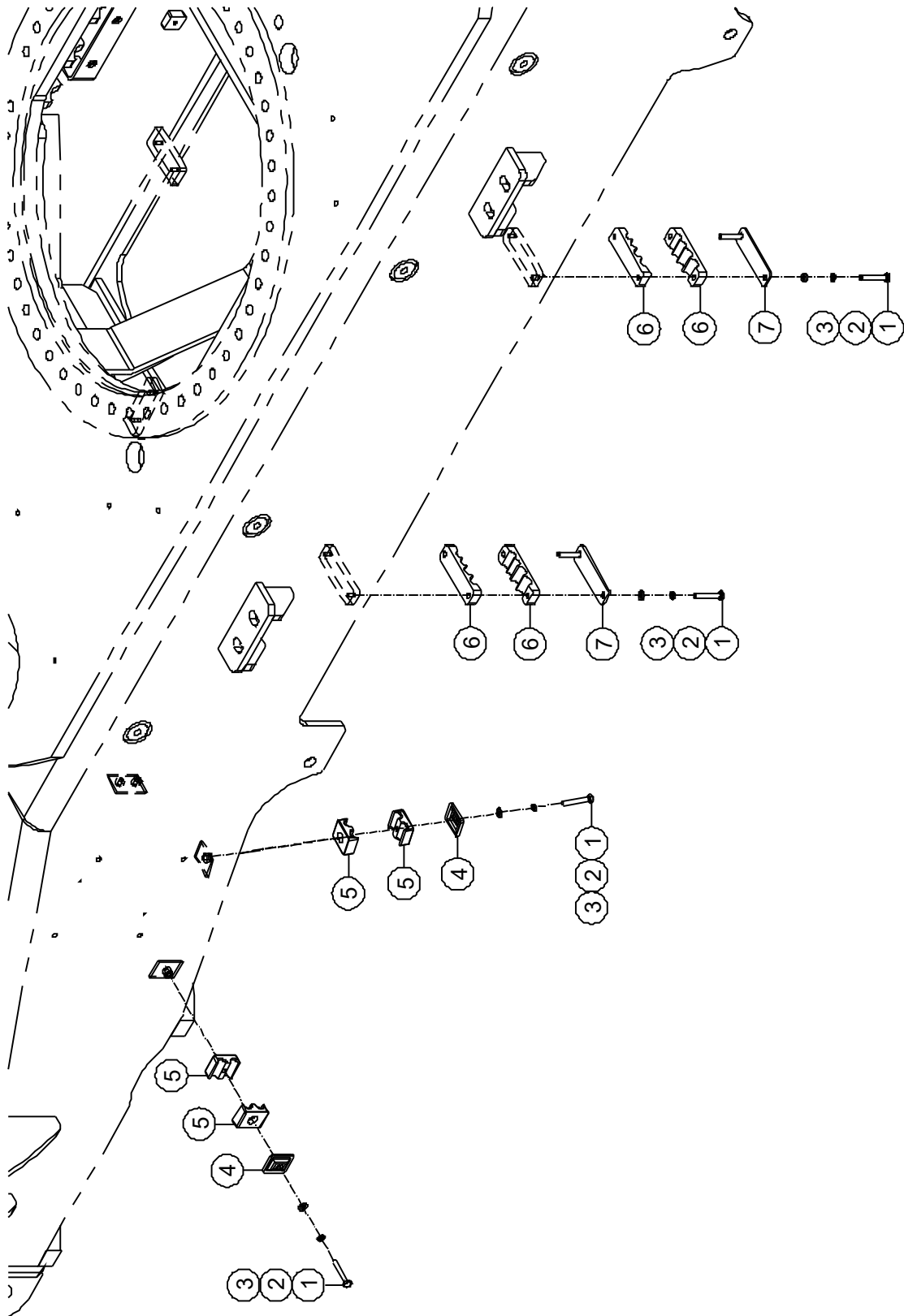
1-20 Chassis Clamp Installations 1



1-20 Chassis Clamp Installations 1

Item	Part Number	Description	Qty.	Remark
1	90001755	Clamp	6	
2	00001034	Screw GB/T 70 M6 × 25	6	
3	92049063	Support Tubes	2	
4	00000818	Bolt GB/T 5783 M6 × 16	4	
5	00000621	Spring Washer GB/T 93 6	4	
6	00002583	Flat Washer GB/T 96.1 6	4	

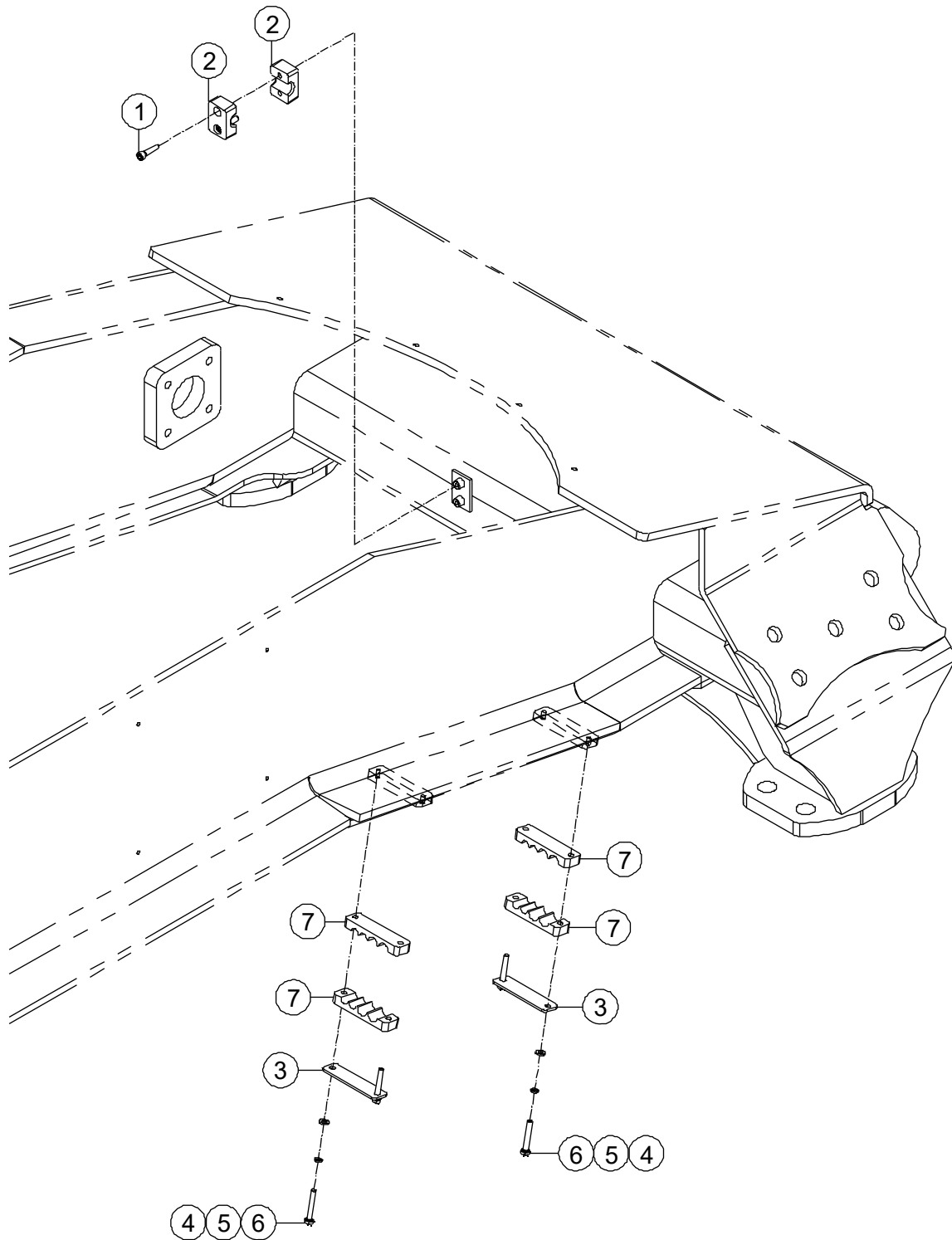
1-21 Chassis Clamp Installations 2



1-21 Chassis Clamp Installations 2

Item	Part Number	Description	Qty.	Remark
1	00002559	Bolt GB/T 5783 M6 × 40	6	
2	00000621	Spring Washer GB/T 93 6	6	
3	00000620	Flat Washer GB/T 97.1 6	6	
4	90004148	Plate	2	
5	90003848	Clamp	4	
6	92100813	Comb Tubes	4	
7	92049085	Plate	2	

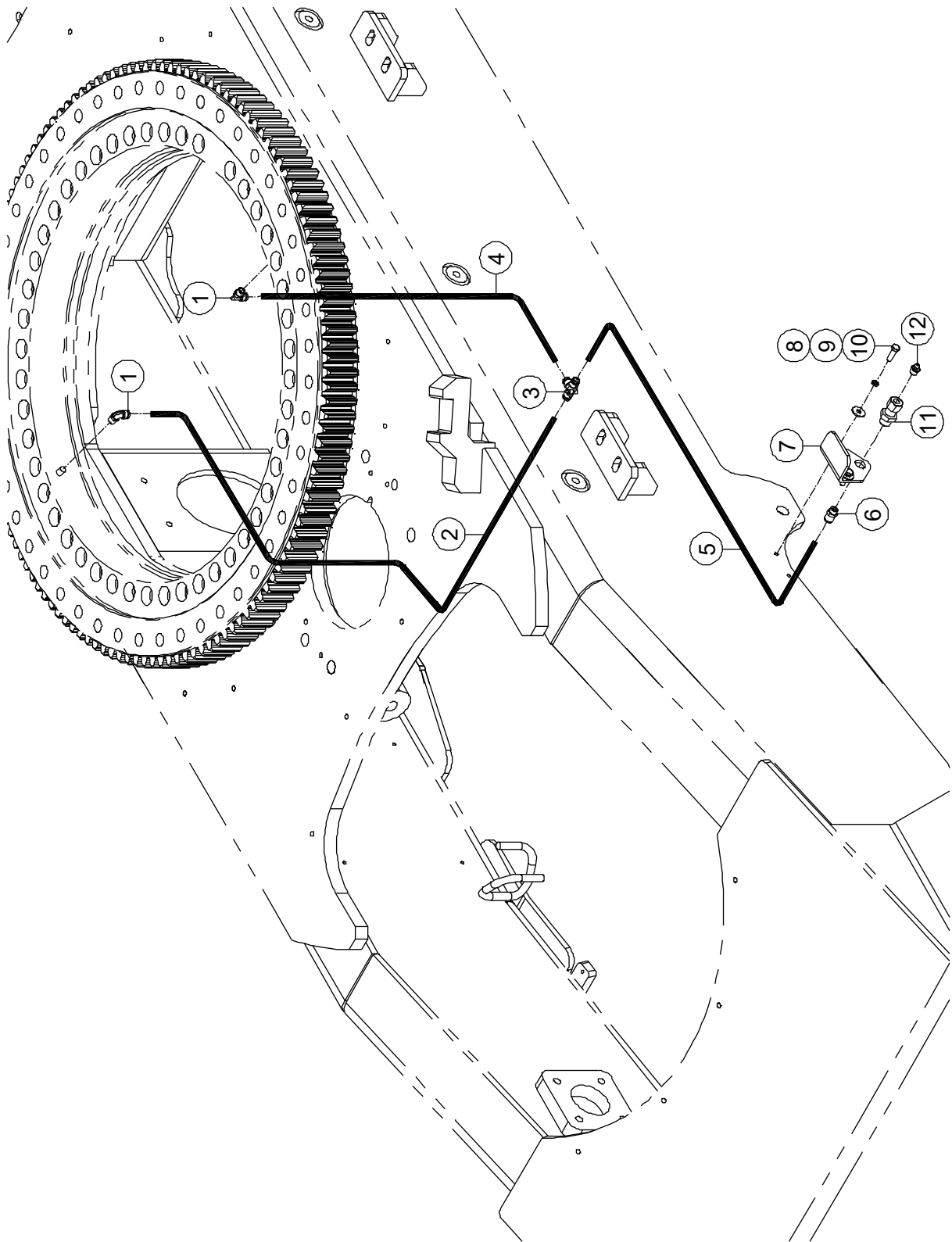
1-22 Chassis Clamp Installations 3



1-22 Chassis Clamp Installations 3

Item	Part Number	Description	Qty.	Remark
1	00001034	Screw GB/T 70 M6 × 25	2	
2	90001755	Clamp	2	
3	92049085	Plate	2	
4	00000620	Flat Washer GB/T 97.1 6	4	
5	00000621	Spring Washer GB/T 93 6	4	
6	00002559	Bolt GB/T 5783 M6 × 40	4	
7	92100813	Comb Tubes	4	

1-23 Grease System Installations

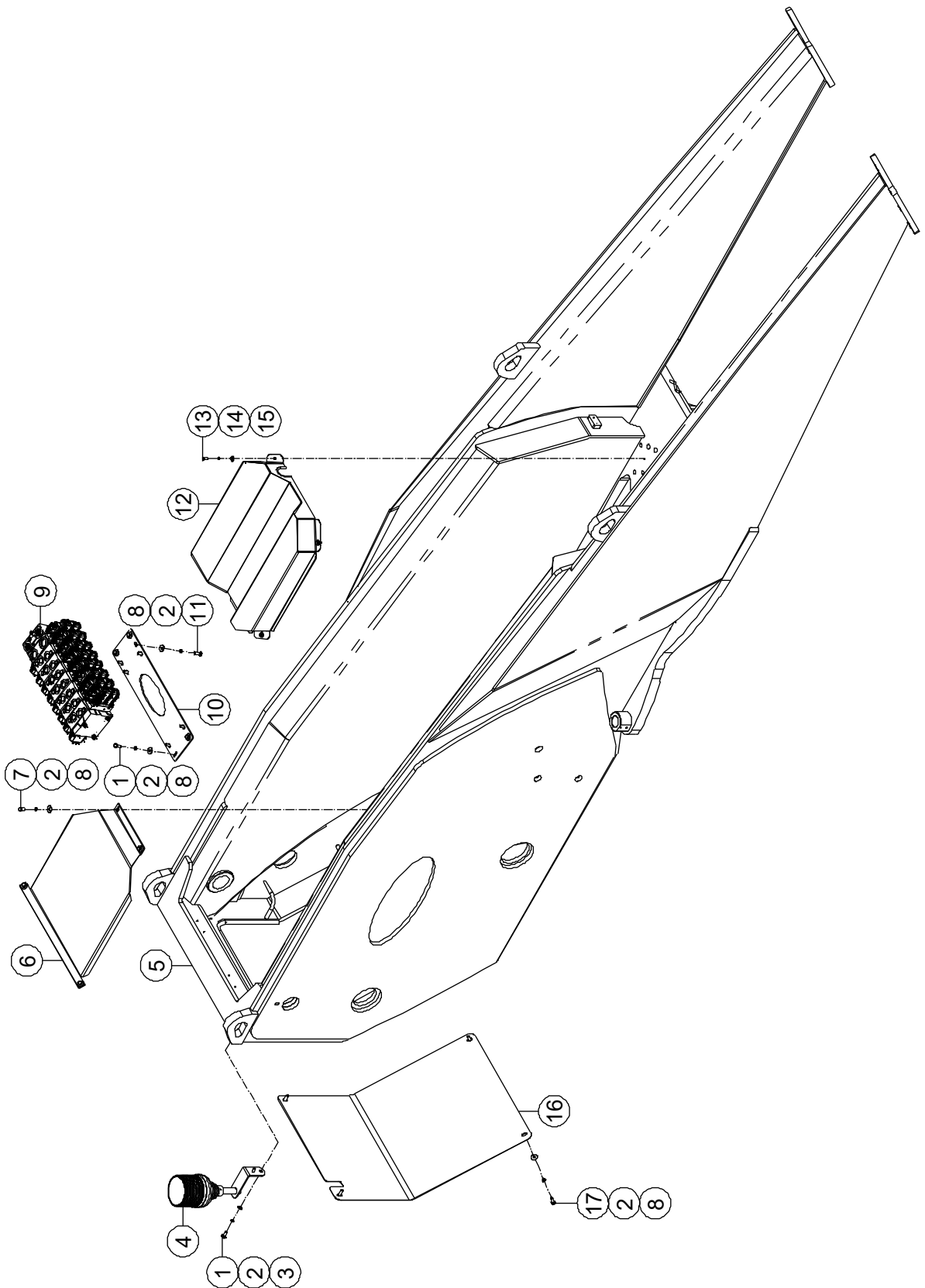


1-23 Grease System Installations

Item	Part Number	Description	Qty.	Remark
1	92102220	Fitting, 90°	2	
2	92102223	Hose	1	
3	92102221	Fitting, Tee	1	
4	92102222	Hose	1	
5	92102224	Hose	1	
6	93300963	Fitting	1	
7	92102219	Support	1	
8	00002583	Flat Washer GB/T 96.1 6	2	
9	00000621	Spring Washer GB/T 93 6	2	
10	00000743	Bolt GB/T 5783 M6 × 20	2	
11	93000115	Fitting	1	
12	93300962	Grease Nipple	1	

Section 2 Turntable

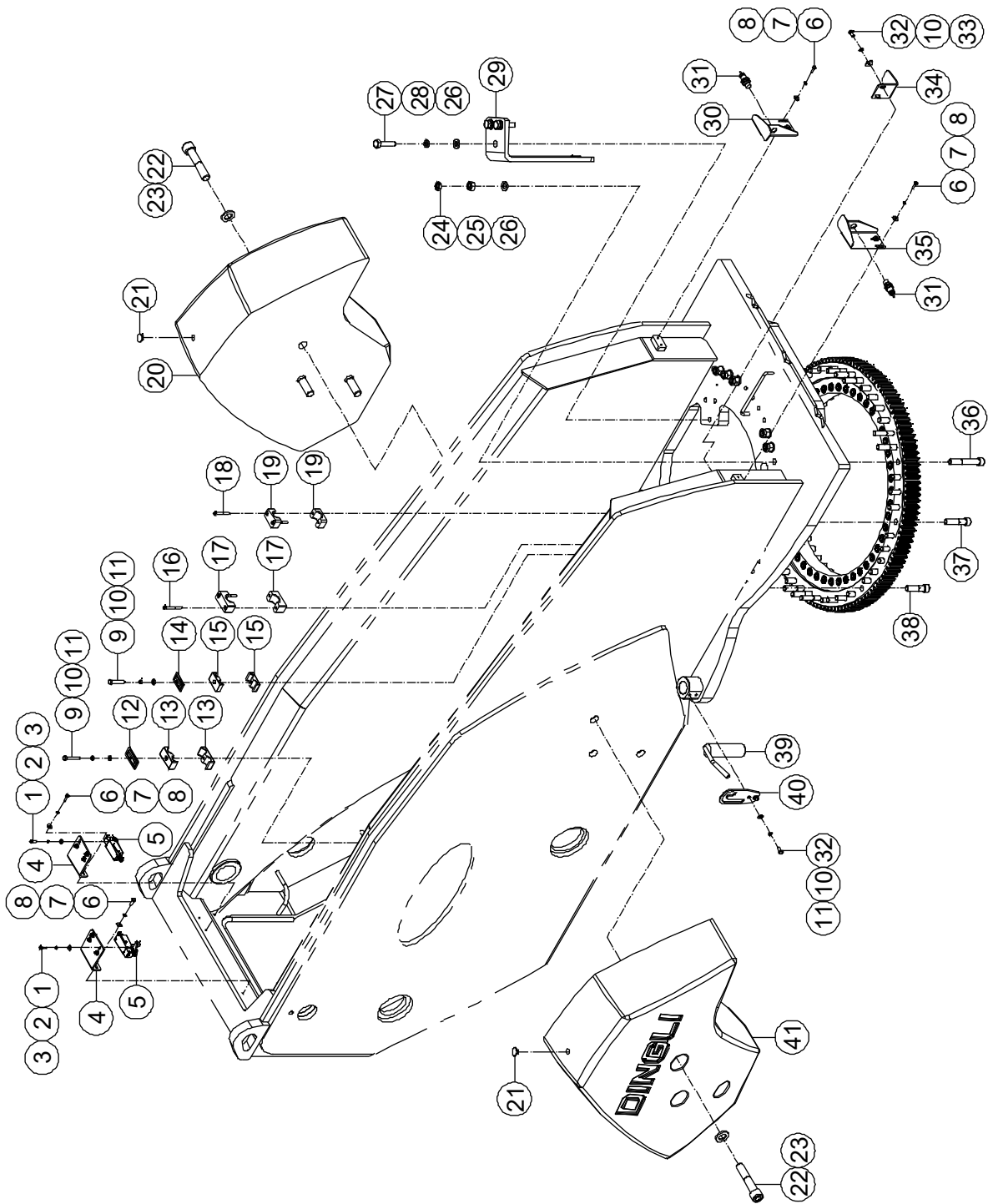
2-1 Turntable Accessories Installations 1



2-1 Turntable Accessories Installations 1

Item	Part Number	Description	Qty.	Remark
1	00000875	Bolt GB/T 5783 M8 × 20	6	
2	00000609	Spring Washe GB/T 93 8	20	
3	00000608	Flat Washer GB/T 97.1 8	2	
4	00003165	Beacon	1	
5	92100319	Turntable	1	
6	92051420	Housing	1	
7	00001063	Bolt GB/T 5783 M8 × 16	4	
8	00002000	Flat Washer GB/T 96.1 8	18	
9	00008097	PVG Valve Block (<i>Refer to 2-3</i>)	1	Standard
	92047082	PVG Valve Block (<i>Refer to 2-4</i>)	1	Optional
10	92030692	Support	1	
11	00000993	Bolt GB/T 5783 M8 × 25	6	
12	92000210	Housing	1	
13	00000818	Bolt GB/T 5783 M6 × 16	4	
14	00000621	Spring Washe GB/T 93 6	4	
15	00002583	Flat Washer GB/T 96.1 6	4	
16	92051431	Housing	1	
17	00000995	Bolt GB/T 5783 M8 × 30	4	

2-2 Turntable Accessories Installations 2



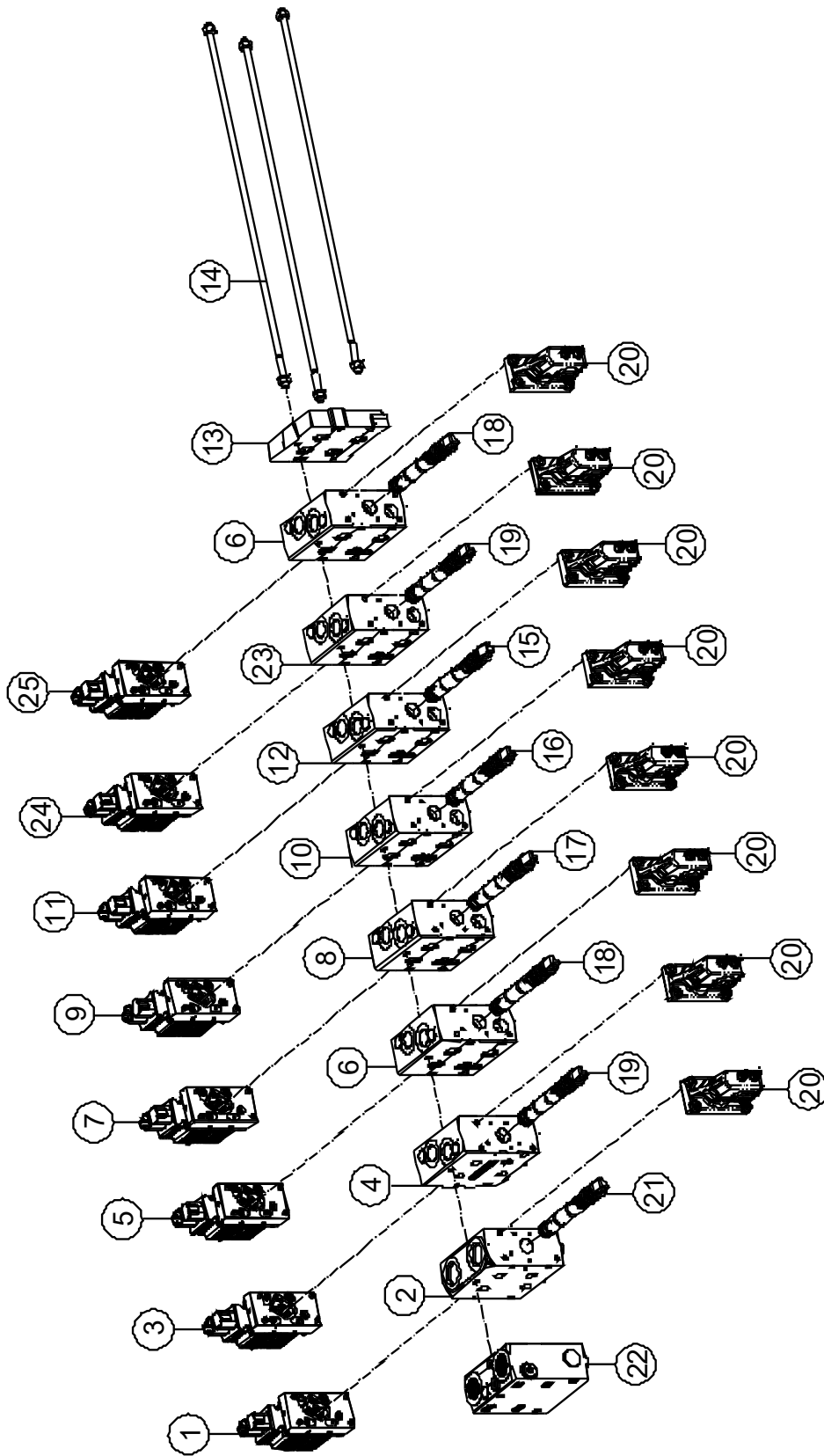
2-2 Turntable Accessories Installations 2

Item	Part Number	Description	Qty.	Remark
1	00001246	Screw GB/T 70 M5 × 16	8	
2	00000606	Spring Washer GB/T 93 5	8	
3	00003545	Flat Washer GB/T 96.1 5	8	
4	92100248	Support	2	
5	00000748	Limit Switch	2	
6	00000743	Bolt GB/T 5783 M6 × 20	8	
7	00000621	Spring Washer GB/T 93 6	8	
8	00002583	Flat Washer GB/T 96.1 6	8	
9	00003607	Bolt GB/T 5783 M8 × 50	2	
10	00000609	Spring Washer GB/T 93 8	6	
11	00000608	Flat Washer GB/T 97.1 8	4	
12	92013750	Plate	1	
13	92007163	Clamp	2	
14	90001243	Plate	1	
15	90001242	Clamp	2	
16	00006392	Screw GB/T 70 M6 × 60	2	
17	90023286	Clamp	2	
18	00005201	Screw GB/T 70 M6 × 50	2	
19	90003865	Clamp	2	
20	92056826	Turntable Counterweight	1	
21	92100376	Plug	2	
22	00003053	Screw GB/T 70 M24 × 120	6	
23	00001159	Flat Washer GB/T 97.1 24	6	
24	00002611	Nut GB/T 6172.1 M16	12	
25	00002510	Nut GB/T 6170 M16	12	
26	00000997	Flat Washer GB/T 97.1 16	18	
27	00001049	Bolt GB/T 5783 M16 × 60	6	
28	00001035	Spring Washer GB/T 93 16	6	
29	92100816	Stirrup	2	

2-2 Turntable Accessories Installations 2 (Continued)

Item	Part Number	Description	Qty.	Remark
30	92000283	Support	1	
31	00006642	Proximity Switch	2	
32	00001063	Bolt GB/T 5783 M8 × 16	4	
33	00002000	Flat Washer GB/T 96.1 8	2	
34	92048945	Support	1	
35	92000282	Support	1	
36	00006416	Screw GB/T 70 M16 × 110	12	
37	00006417	Screw GB/T 70 M16 × 75	20	
38	00006808	Screw GB/T 70 M16 × 65	16	
39	92029901	Pin	1	
40	92029902	Block	1	
41	92056827	Turntable Counterweight	1	

2-3 PVG Valve Block (Standard)



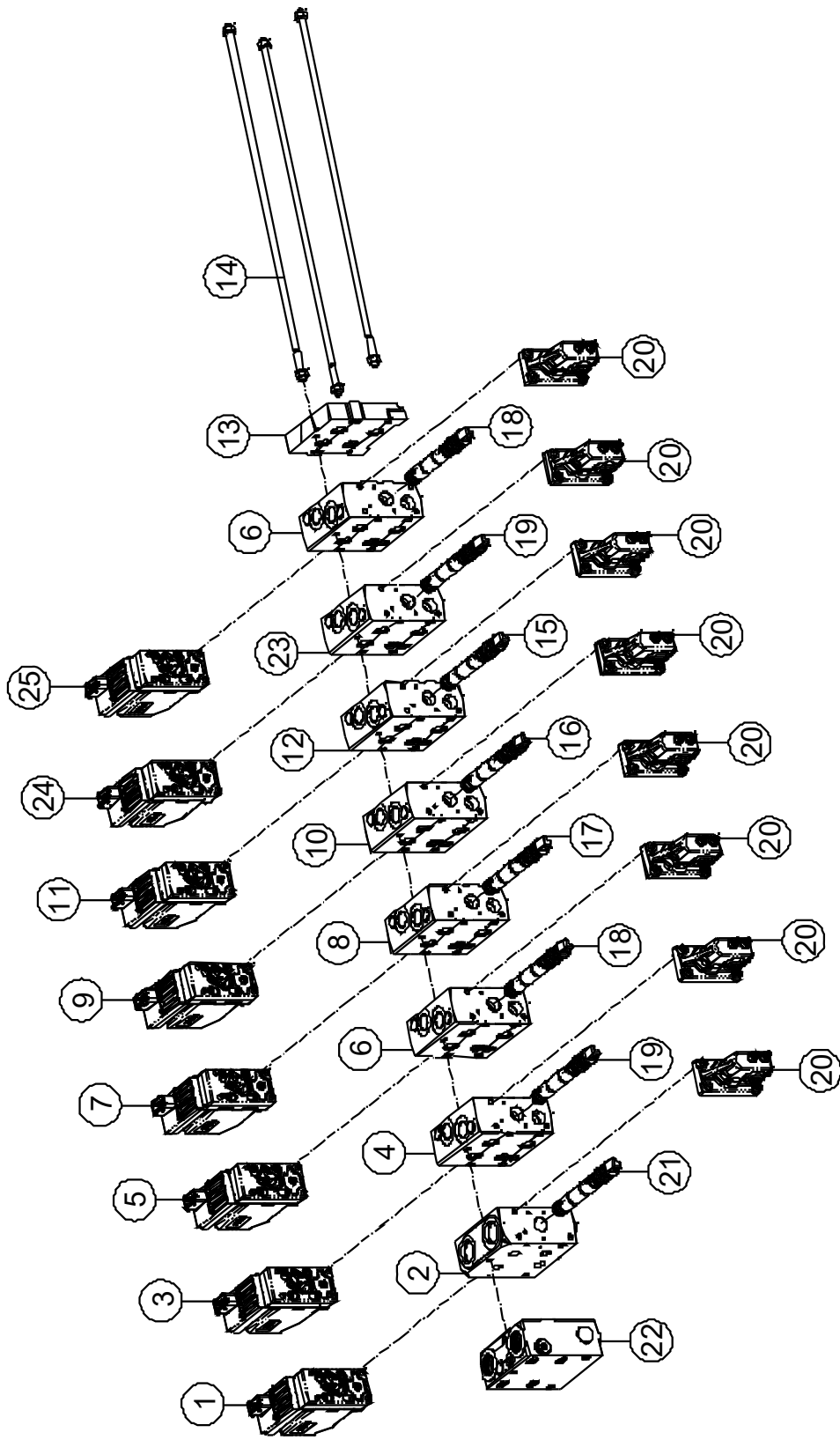
2-3 PVG Valve Block (Standard)

Item	Part Number	Name	Qty	Note
1	00011011	PVED, Electric Control Unit	1	
--	00011035	Seal Kit	1	
2	00010973	PVSKM, Enable Unit	1	
--	00011033	Seal Kit	1	
3	00011010	PVED, Electric Control Unit	1	
--	00011035	Seal Kit	1	
4	00010979	PVB, Work Unit	1	
--	00011033	Seal Kit	1	
5	00011009	PVED, Electric Control Unit	1	
--	00011035	Seal Kit	1	
6	00010980	PVB, Work Unit	2	
--	00011033	Seal Kit	1	
7	00011008	PVED, Electric Control Unit	1	
--	00011035	Seal Kit	1	
8	00010984	PVB, Work Unit	1	
--	00011033	Seal Kit	1	
9	00011007	PVED, Electric Control Unit	1	
--	00011035	Seal Kit	1	
10	00010983	PVB, Work Unit	1	
--	00011033	Seal Kit	1	
11	00011006	PVED, Electric Control Unit	1	
--	00011035	Seal Kit	1	
12	00010982	PVB, Work Unit	1	
--	00011033	Seal Kit	1	
13	00011023	PVSI, Cover	1	
14	00011029	PVAS, Bolt	1	
15	00011018	PVBS, Directional Cartridge	1	
16	00011019	PVBS, Directional Cartridge	1	
17	00011020	PVBS, Directional Cartridge	1	

2-3 PVG Valve Block (Standard) (Continued)

Item	Part Number	Name	Qty	Note
18	00011016	PVBS, Directional Cartridge	2	
19	00011017	PVBS, Directional Cartridge	2	
20	00011012	PVM, Manual Unit	8	
--	00011036	Seal Kit	8	
21	00011013	PVSKS, Cartridge, Enable	1	
22	00010972	PVP, Inlet Unit	1	
--	00011034	Seal Kit	1	
23	00010981	PVB, Work Unit	1	
--	00011033	Seal Kit	1	
24	00011005	PVED, Electric Control Unit	1	
--	00011035	Seal Kit	1	
25	00010987	PVED, Electric Control Unit	1	
--	00011035	Seal Kit	1	

2-4 PVG Valve Block (Optional)



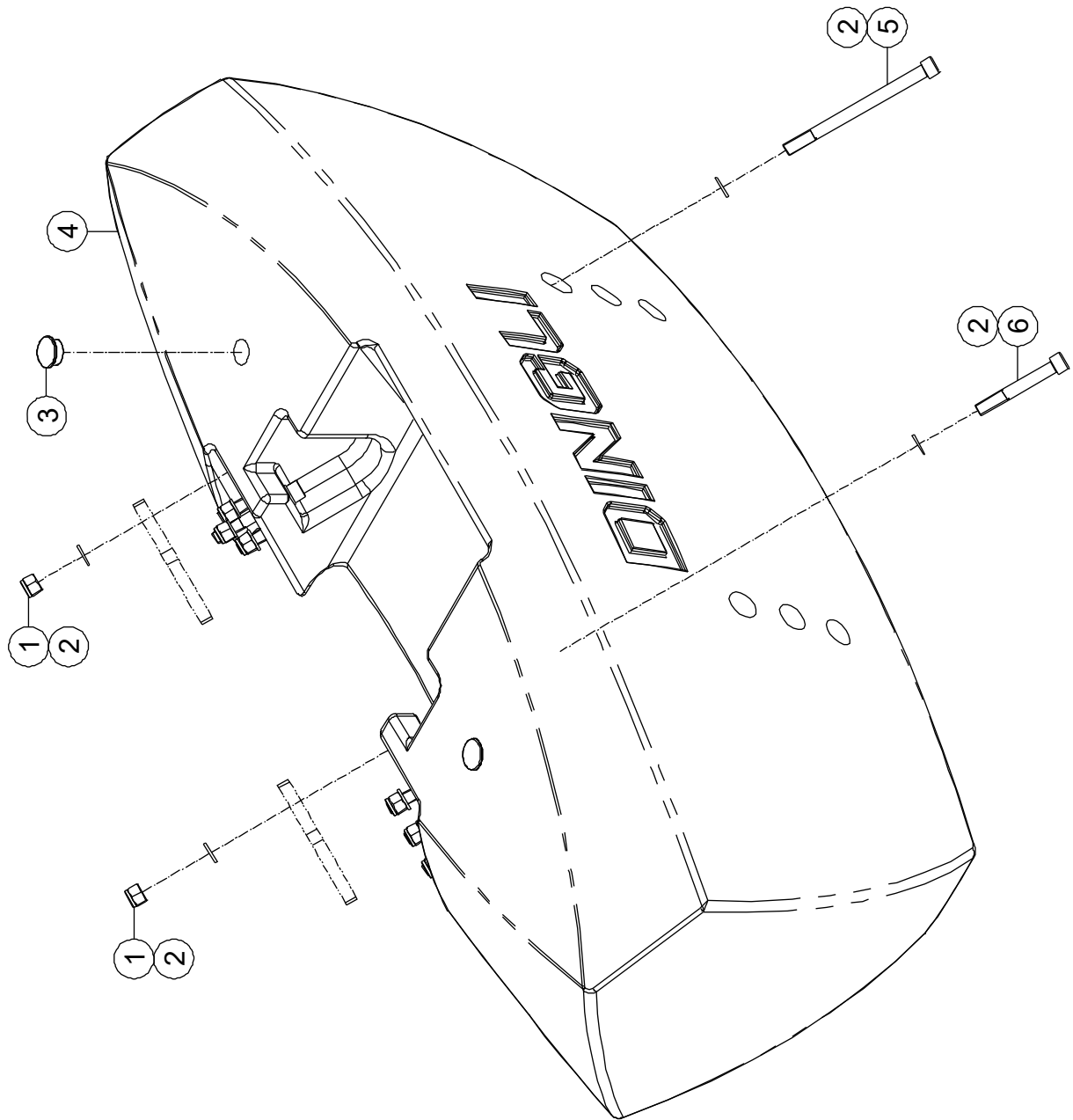
2-4 PVG Valve Block (Optional)

Item	Part Number	Name	Qty	Note
1	00010994	PVED, Electric Control Unit	1	
--	00011035	Seal Kit	1	
2	00010973	PVSKM, Enable Unit	1	
--	00011033	Seal Kit	1	
3	00010989	PVED, Electric Control Unit	1	
--	00011035	Seal Kit	1	
4	00010979	PVB, Work Unit	1	
--	00011033	Seal Kit	1	
5	00010990	PVED, Electric Control Unit	1	
--	00011035	Seal Kit	1	
6	00010980	PVB, Work Unit	2	
--	00011033	Seal Kit	1	
7	00010991	PVED, Electric Control Unit	1	
--	00011035	Seal Kit	1	
8	00010984	PVB, Work Unit	1	
--	00011033	Seal Kit	1	
9	00010992	PVED, Electric Control Unit	1	
--	00011035	Seal Kit	1	
10	00010983	PVB, Work Unit	1	
--	00011033	Seal Kit	1	
11	00010993	PVED, Electric Control Unit	1	
--	00011035	Seal Kit	1	
12	00010982	PVB, Work Unit	1	
--	00011033	Seal Kit	1	
13	00011023	PVSI, Cover	1	
14	00011029	PVAS, Bolt	1	
15	00011018	PVBS, Directional Cartridge	1	
16	00011019	PVBS, Directional Cartridge	1	
17	00011020	PVBS, Directional Cartridge	1	

2-4 PVG Valve Block (Optional) (Continued)

Item	Part Number	Name	Qty	Note
18	00011016	PVBS, Directional Cartridge	2	
19	00011017	PVBS, Directional Cartridge	2	
20	00011012	PVM, Manual Unit	8	
--	00011036	Seal Kit	8	
21	00011013	PVSKS, Cartridge, Enable	1	
22	00010972	PVP, Inlet Unit	1	
--	00011034	Seal Kit	1	
23	00010981	PVB, Work Unit	1	
--	00011033	Seal Kit	1	
24	00010995	PVED, Electric Control Unit	1	
--	00011035	Seal Kit	1	
25	00010987	PVED, Electric Control Unit	1	
--	00010996	Seal Kit	1	

2-5 Counterweight Installations

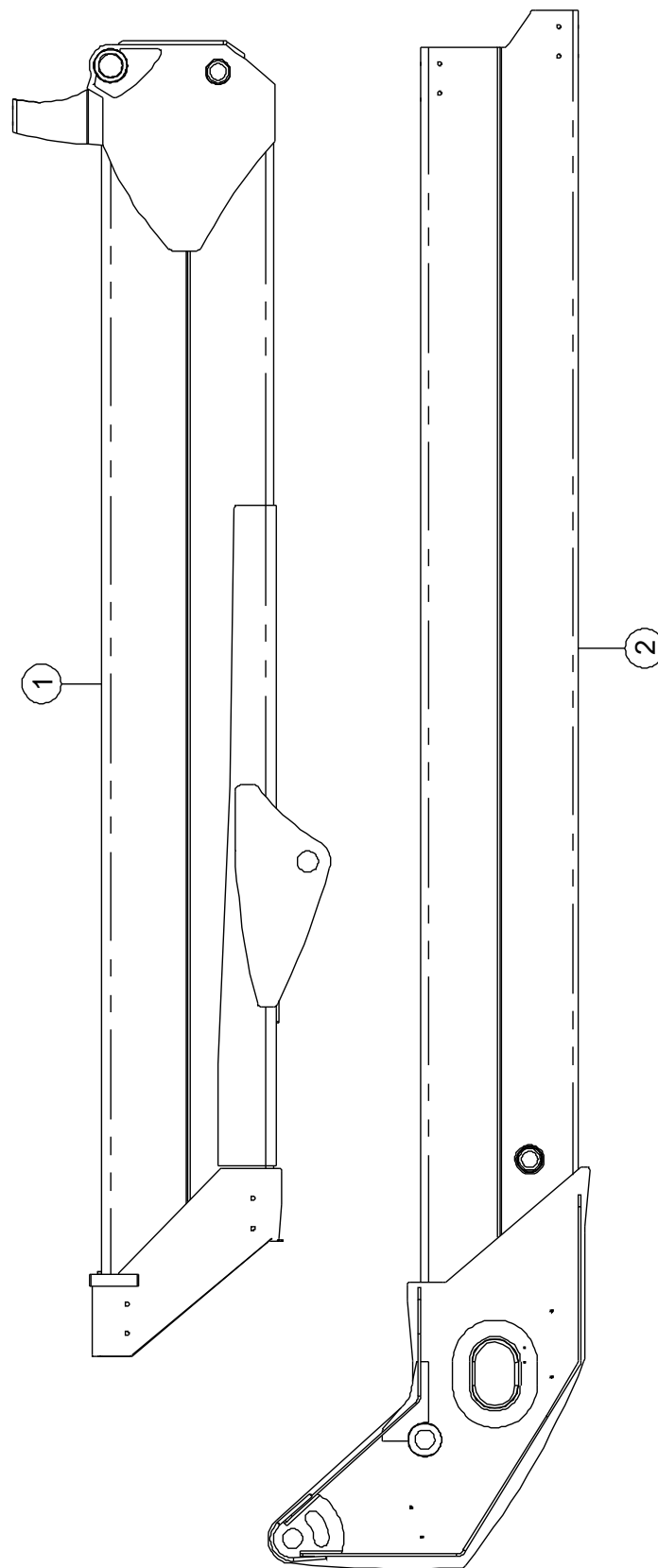


2-5 Counterweight Installations

Item	Part Number	Description	Qty.	Remark
1	00005262	Nut GB/T 6182 M24	8	
2	00001159	Flat Washer GB/T 97.1 24	16	
3	92000104	Plug	2	
4	92056825	Counterweight	1	BA28ERT BA28BERT
	92053029	Counterweight	1	BA24ERT BA24BERT
5	00006428	Screw GB/T 70 M24 × 310	6	
6	00002602	Screw GB/T 70 M24 × 140	2	

Section 3 Boom

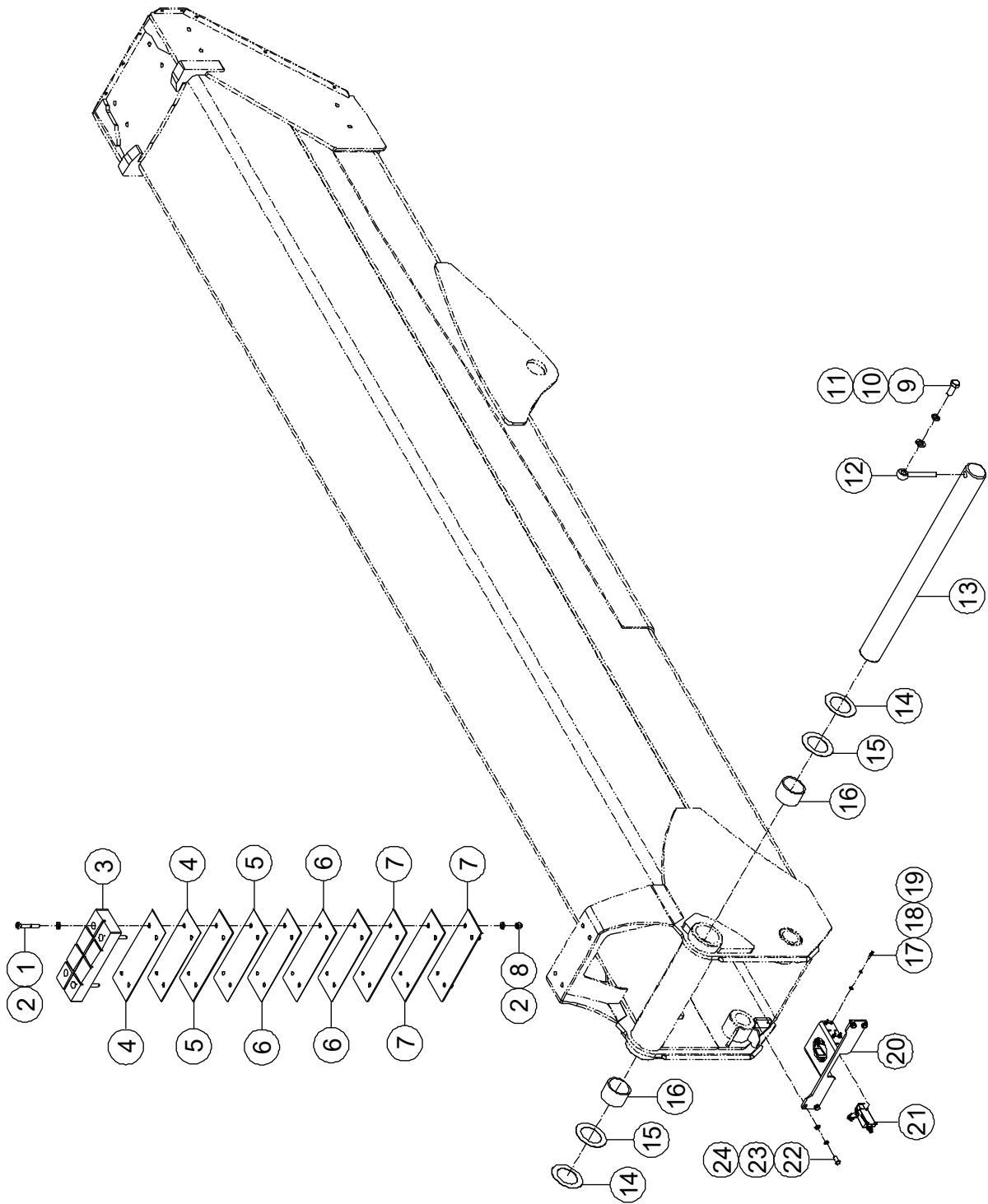
3-1 Tower Boom



3-1 Tower Boom

Item	Part Number	Description	Qty.	Remark
1	92050980	Tower Base Boom	1	
2	92051139	Tower Second Boom	1	

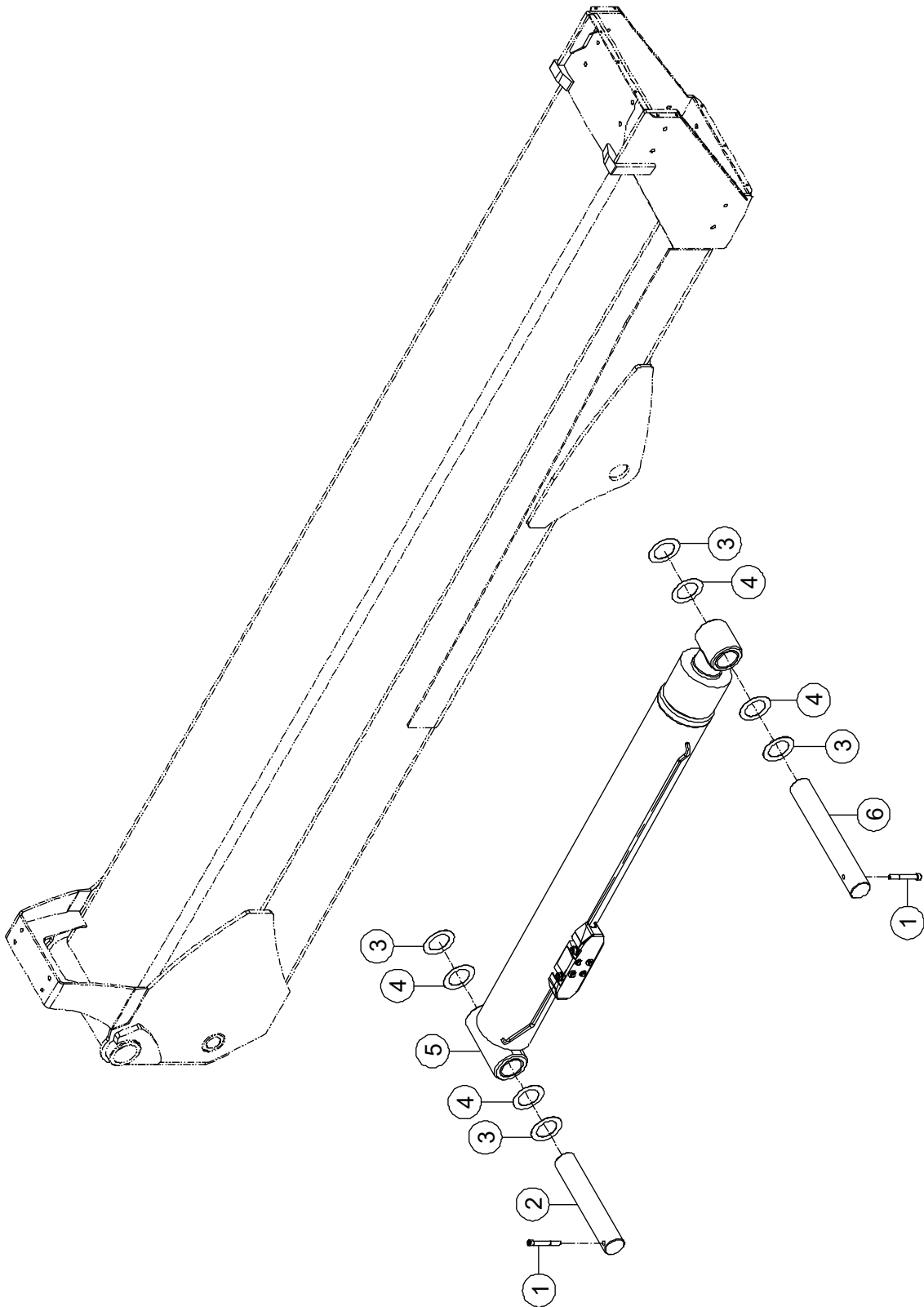
3-2 Tower Boom Accessories Installations 1



3-2 Tower Boom Accessories Installations 1

Item	Part Number	Description	Qty.	Remark
1	00002556	Screw GB/T 70 M10 × 70	4	
2	00000615	Flat Washer GB/T 97.1 10	8	
3	92100189	Boom Pad	1	
4	92100187	Shim	2	
5	92100185	Shim	2	
6	92100186	Shim	3	
7	92100188	Shim	3	
8	00000623	Nut GB/T 6182 M10	4	
9	00001161	Bolt GB/T 5783 M16 × 40	1	
10	00001035	Spring Washer GB/T 93 16	1	
11	00000997	Flat Washer GB/T 97.1 16	1	
12	00000223	8902-16120 Pin, Lock	1	
13	92051394	Pin, Pivot	1	
14	92051390	Shim	2	
15	92051388	Shim	2	
16	92048652	8813-657550 Sleeve Bearing	2	
17	00001246	Screw GB/T 70 M5 × 16	8	
18	00000606	Spring Washer GB/T 93 5	8	
19	00000605	Flat Washer GB/T 97.1 5	8	
20	92000284	Support	1	
21	00000748	Limit Switch	2	
22	00000875	Bolt GB/T 5783 M8 × 20	4	
23	00000609	Spring Washer GB/T 93 8	4	
24	00000608	Flat Washer GB/T 97.1 8	4	

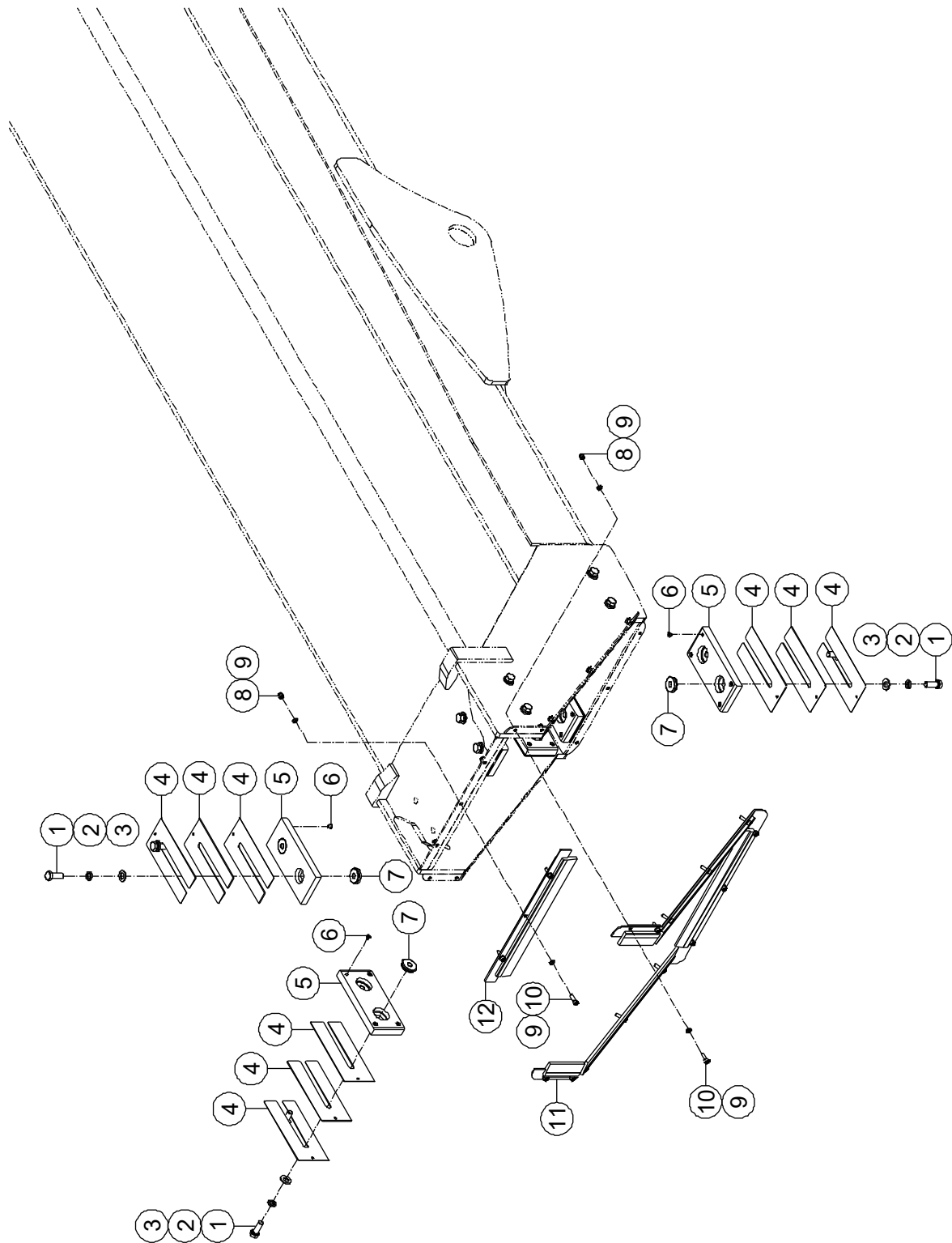
3-3 Tower Lifting Cylinder Assembly Installations



3-3 Tower Lifting Cylinder Assembly Installations

Item	Part Number	Description	Qty.	Remark
1	00002554	Screw GB/T 70 M12 × 100	2	
2	92051395	Pin, Pivot	1	
3	92051388	Shim	4	
4	92051390	Shim	4	
5		Tower Lifting Cylinder Assembly (<i>Refer to 5-3</i>)	1	
6	92051397	Pin, Pivot	1	

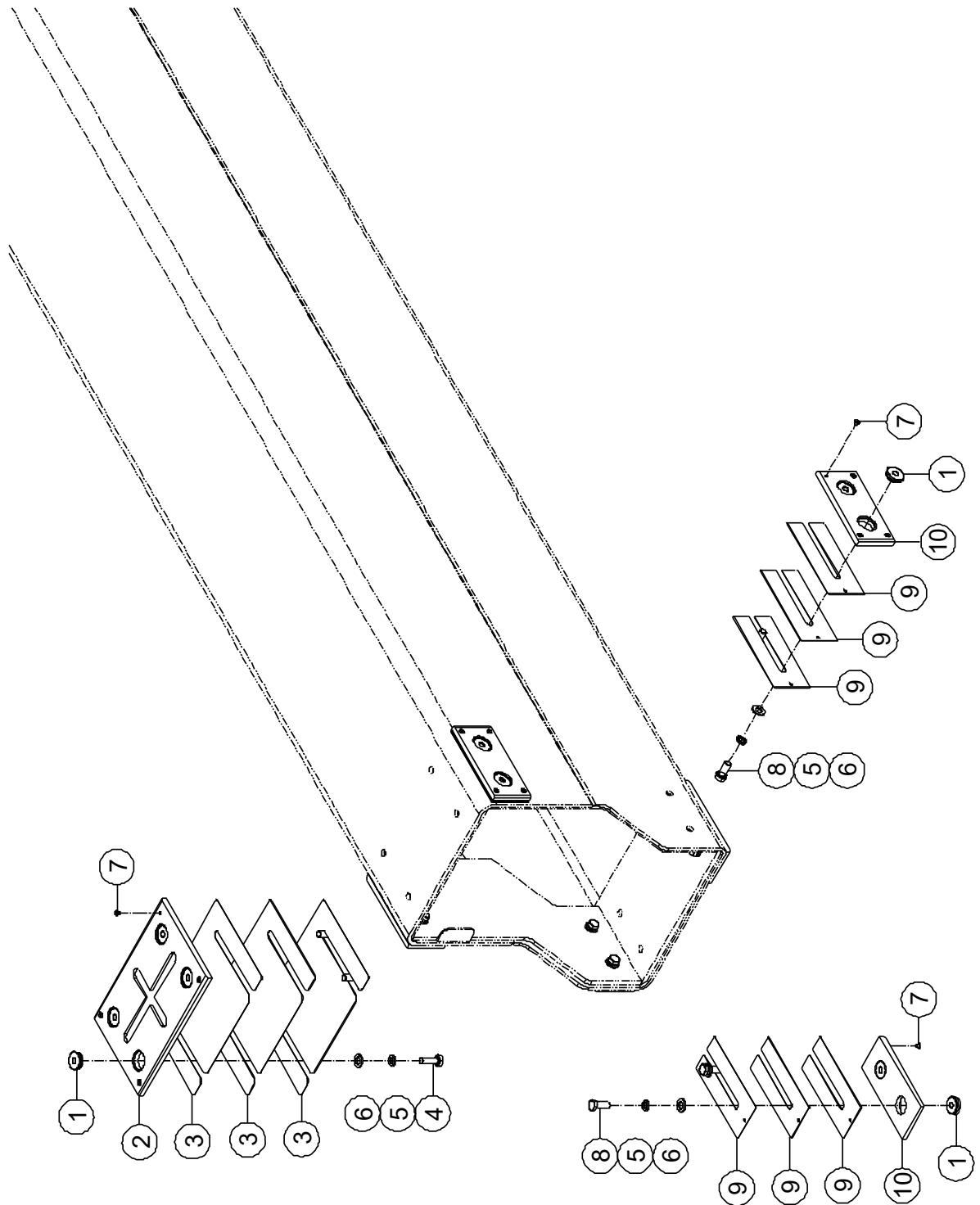
3-4 Tower Base Boom Sliding Block Installations



3-4 Tower Base Boom Sliding Block Installations

Item	Part Number	Description	Qty.	Remark
1	00006122	Bolt GB/T 5786 M12×1.25 × 30	16	
2	00000815	Spring Washer GB/T 93 12	16	
3	00000814	Flat Washer GB/T 97.1 12	16	
4	92000111	Shim	24	
5	92000121	Sliding Block	8	
6	92009458	Plug	32	
7	92000169	Insert	16	
8	00001033	Nut GB/T 6182 M6	16	
9	00000620	Flat Washer GB/T 97.1 6	32	
10	00000774	Screw GB/T 70 M6 × 20	16	
11	92100138	Guard	1	
12	92100141	Guard	1	

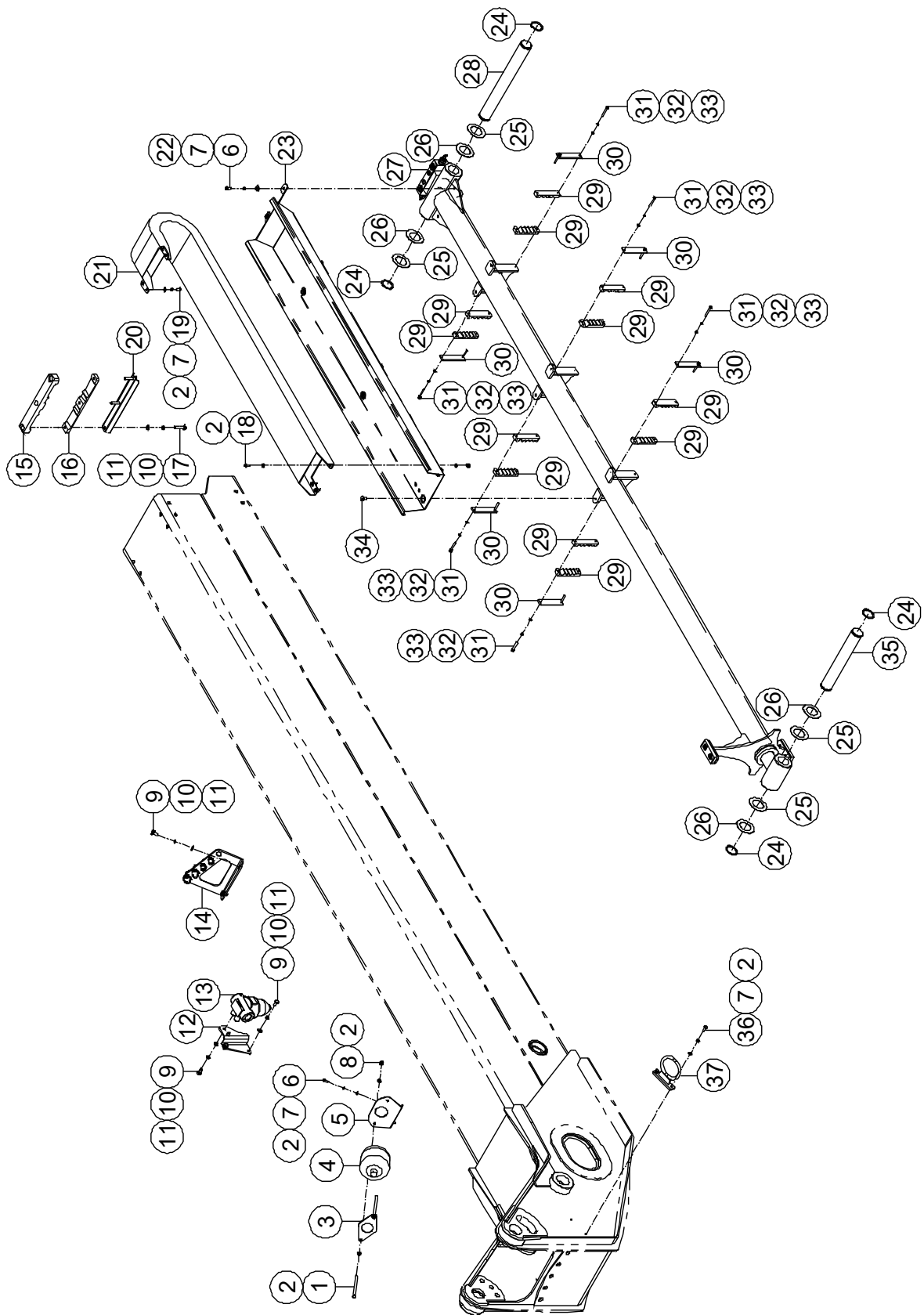
3-5 Tower Second Boom Sliding Block Installations



3-5 Tower Second Boom Sliding Block Installations

Item	Part Number	Description	Qty.	Remark
1	92000169	Insert	16	
2	92000149	Sliding Block	1	
3	92000150	Shim	3	
4	00006123	Bolt GB/T 5786 M12×1.25 × 35	4	
5	00000815	Spring Washer GB/T 93 12	16	
6	00000814	Flat Washer GB/T 97.1 12	16	
7	92009458	Plug	28	
8	00006122	Bolt GB/T 5786 M12×1.25 × 30	12	
9	92000111	Shim	18	
10	92000109	Sliding Block	6	

3-6 Tower Boom Carrier System Installations



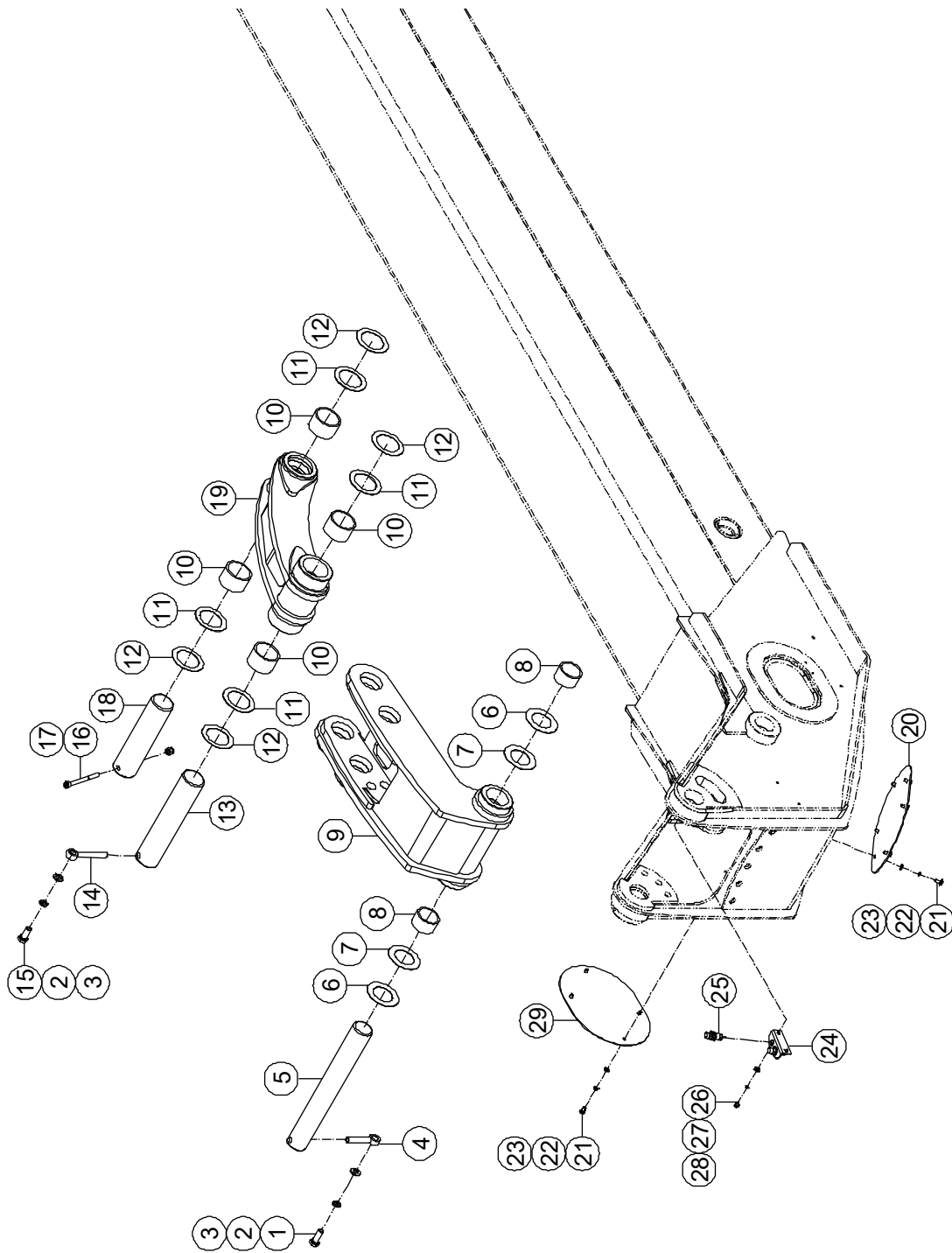
3-6 Tower Boom Carrier System Installations

Item	Part Number	Description	Qty.	Remark
1	00006444	Bolt GB/T 5782 M8 × 145	2	
2	00000608	Flat Washer GB/T 97.1 8	20	
3	90003696	Support	1	
4	90013590	Accumulator	1	
5	90004392	Support	1	
6	00001063	Bolt GB/T 5783 M8 × 16	4	
7	00000609	Spring Washer GB/T 93 8	10	
8	00001163	Nut GB/T 6182 M8	6	
9	00000674	Bolt GB/T 5783 M10 × 20	6	
10	00000679	Spring Washer GB/T 93 10	9	
11	00000615	Flat Washer GB/T 97.1 10	9	
12	92100161	Support	1	
13	00002744	Pressure Filter	1	
14	92100017	Support	1	
15	92051202	Clamp	1	
16	92051201	Clamp	1	
17	00002030	Bolt GB/T 5782 M10 × 50	3	
18	00001188	Screw GB/T 70.2 M8×20	4	
19	00001187	Screw GB/T 70.2 M8×16	4	
20	92051199	Plate	1	
21	92051166	Chain	1	
22	00002000	Flat Washer GB/T 96.1 8	2	
23	92051228	Support	1	
24	00000947	Washer GB/T 894.1-50	4	
25	92051193	Shim	4	
26	92051189	Shim	4	
27		Tower Telescopic Cylinder Assembly (Refer to 5-4)	1	
28	92051195	Pin, Pivot	1	

3-6 Tower Boom Carrier System Installations (Continued)

Item	Part Number	Description	Qty.	Remark
29	92051317	Clamp	12	
30	92051364	Plate	6	
31	00002509	Bolt GB/T 5783 M6 × 50	12	
32	00000621	Spring Washer GB/T 93 6	12	
33	00000620	Flat Washer GB/T 97.1 6	12	
34	00000845	Screw GB/T 70.3 M10×20	6	
35	92051187	Pin, Pivot	1	
36	00000875	Bolt GB/T 5783 M8 × 20	2	
37	92100240	Clamp	1	

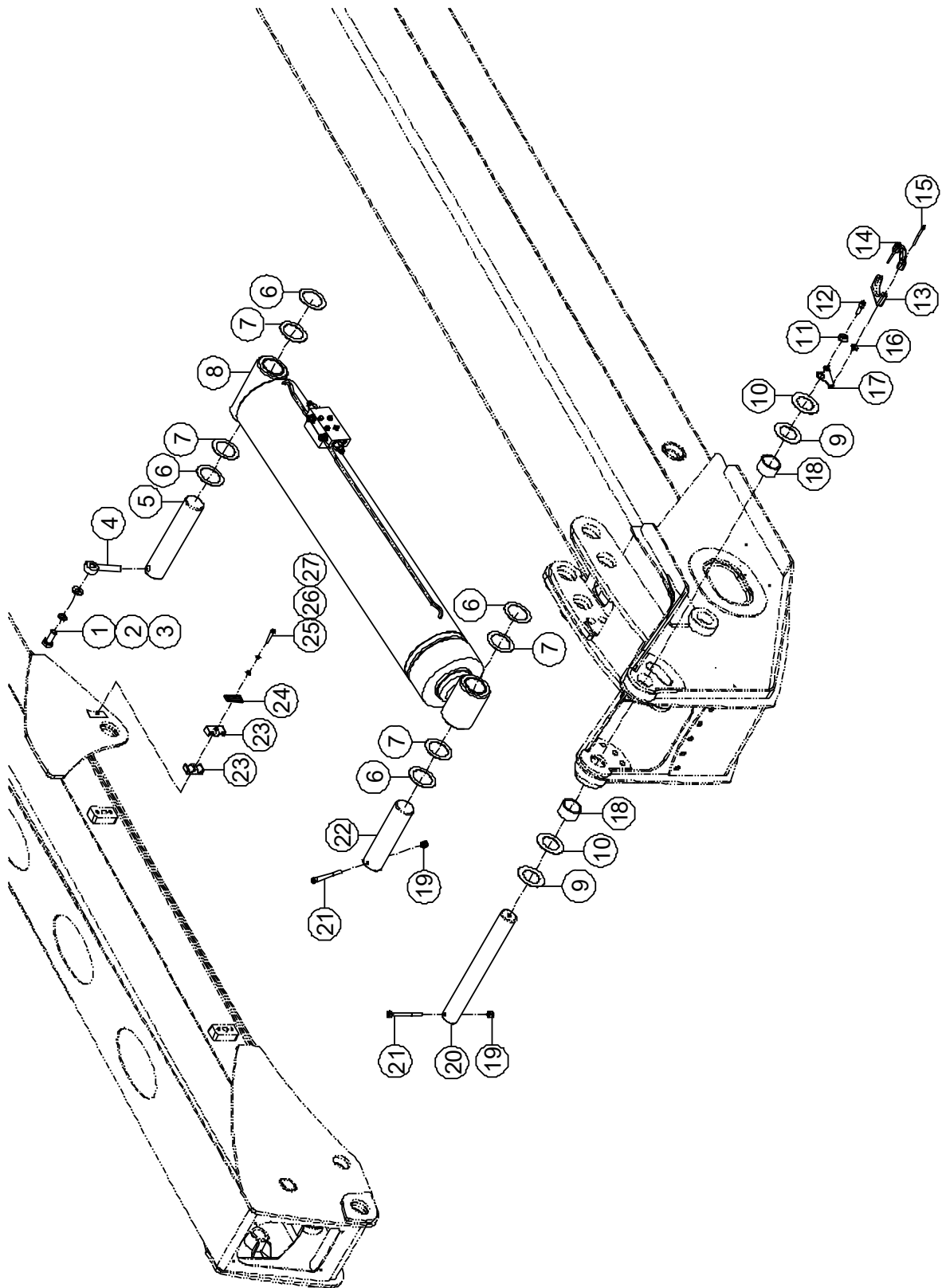
3-7 Tower Boom Accessories Installations 2



3-7 Tower Boom Accessories Installations 2

Item	Part Number	Description	Qty.	Remark
1	00001057	Bolt GB/T 5783 M16 × 45	1	
2	00001035	Spring Washer GB/T 93 16	2	
3	00000997	Flat Washer GB/T 97.1 16	2	
4	00000222	8902-16095 Pin, Lock	1	
5	92051181	Pin, Pivot	1	
6	92029912	Shim	2	
7	92029913	Shim	2	
8	00000430	8813-607040 Sleeve Bearing	2	
9	92051299	Connecting Rod	1	
10	92051315	8813-708050 Sleeve Bearing	4	
11	92051386	Shim	4	
12	92051387	Shim	4	
13	92051398	Pin, Pivot	1	
14	00000223	8902-16120 Pin, Lock	1	
15	00001161	Bolt GB/T 5783 M16 × 40	1	
16	00006424	Screw GB/T 70 M12 × 130	1	
17	00001249	Nut GB/T 6182 M12	1	
18	92051393	Pin, Pivot	1	
19	92051312	Connecting Rod	1	
20	92033079	Cover	1	
21	00001063	Bolt GB/T 5783 M8 × 16	10	
22	00000609	Spring Washer GB/T 93 8	10	
23	00000608	Flat Washer GB/T 97.1 8	10	
24	92033550	Bracket, Switch	1	
25	00006642	Proximity Switch	2	
26	00000745	Bolt GB/T 5783 M6 × 12	2	
27	00000621	Spring Washer GB/T 93 6	2	
28	00002583	Flat Washer GB/T 96.1 6	2	
29	92053484	Cover	1	

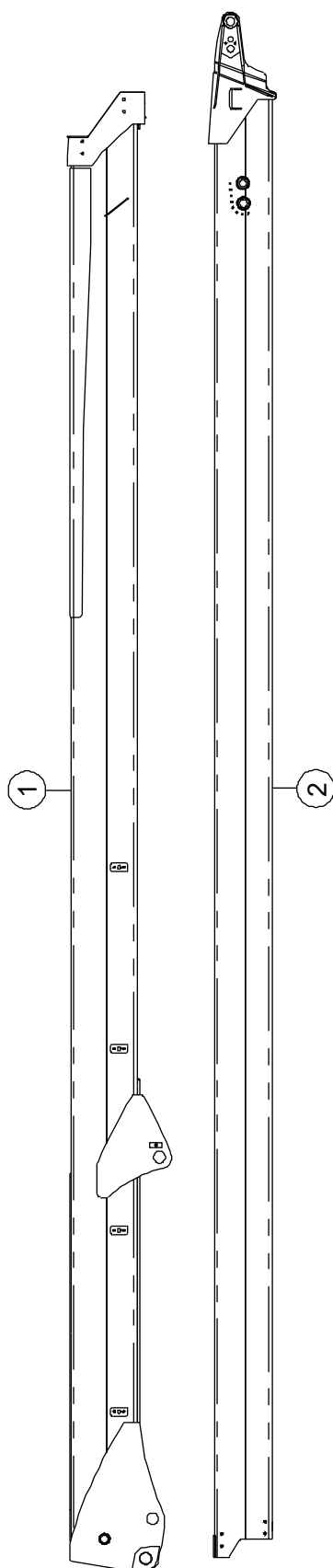
3-8 Main Lifting Cylinder Assembly Installations



3-8 Main Lifting Cylinder Assembly Installations

Item	Part Number	Description	Qty.	Remark
1	00002224	Bolt GB/T 5783 M20 × 50	1	
2	00002219	Spring Washer GB/T 93 20	1	
3	00001050	Flat Washer GB/T 97.1 20	1	
4	00006818	8902-20120 Pin, Lock	1	
5	92051396	Pin, Pivot	1	
6	92051387	Shim	4	
7	92051386	Shim	4	
8		Main Lifting Cylinder Assembly (<i>Refer to 5-5</i>)	1	
9	92029912	Shim	2	
10	92029913	Shim	2	
11	92049165	Support	1	
12	00006425	Screw GB/T 70 M12 × 35	1	
13	92000219	Clamp	1	
14	92000221	Clamp	1	
15	00006426	Screw GB/T 70 M6 × 80	2	
16	50000112	Nut QC/T 885 M6	2	
17	92000220	Support	1	
18	00000430	8813-607040 Sleeve Bearing	2	
19	00001249	Nut GB/T 6182 M12	2	
20	92051198	Pin, Pivot	1	
21	00006424	Screw GB/T 70 M12 × 130	2	
22	92051393	Pin, Pivot	1	
23	92007163	Clamp	2	
24	92013750	Plate	1	
25	00003607	Bolt GB/T 5783 M8 × 50	1	
26	00000609	Spring Washer GB/T 93 8	1	
27	00000608	Flat Washer GB/T 97.1 8	1	

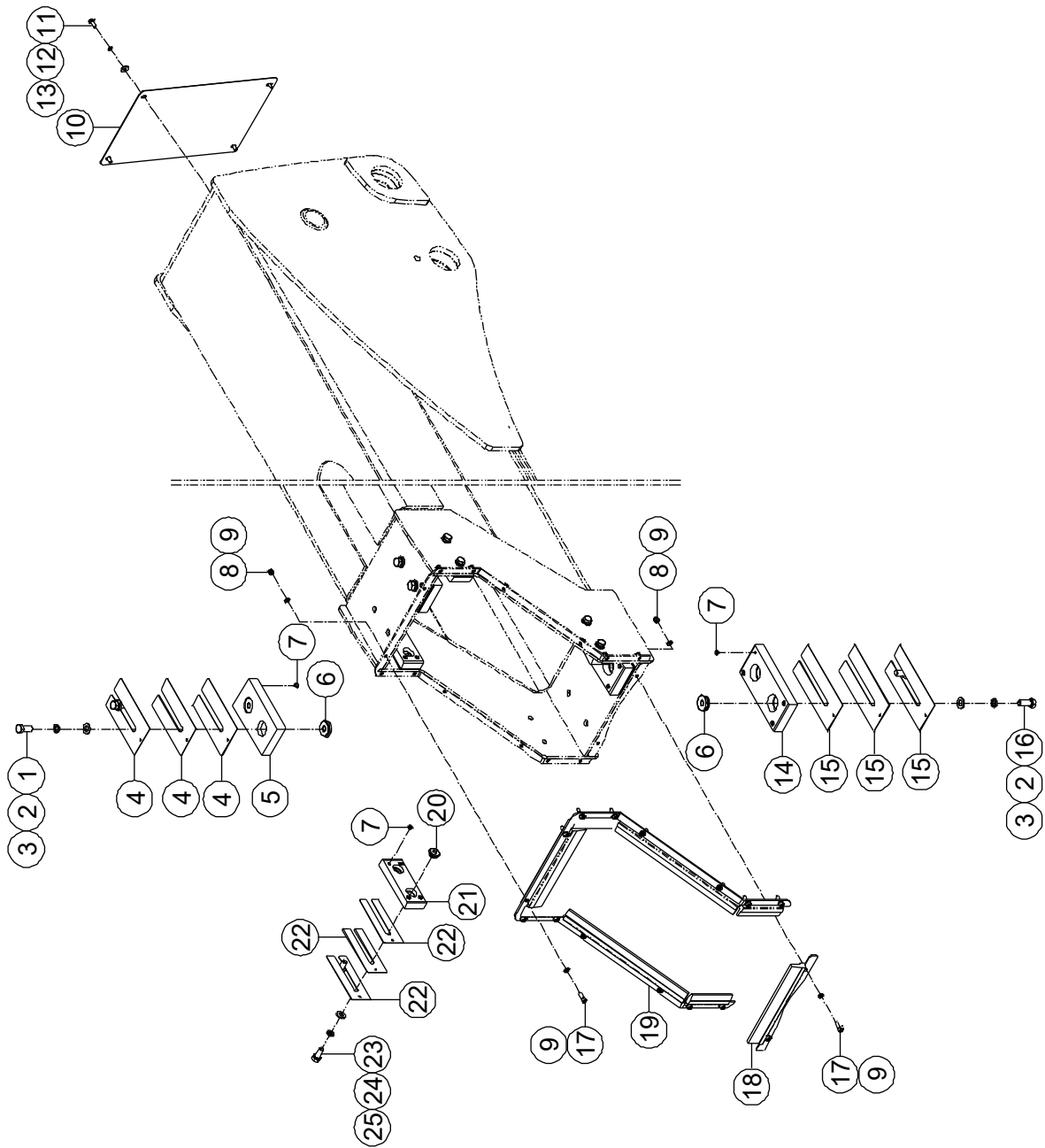
3-9 Main Telescopic Boom



3-9 Main Telescopic Boom

Item	Part Number	Description	Qty.	Remark
1	92050908	Base Boom	1	BA28ERT
	92102338	Base Boom	1	BA28BERT
	92051442	Base Boom	1	BA24ERT BA24BERT
2	92050864	Second Boom	1	BA28ERT
	92102314	Second Boom	1	BA28BERT
	92051400	Second Boom	1	BA24ERT
	92102352	Second Boom	1	BA24BERT

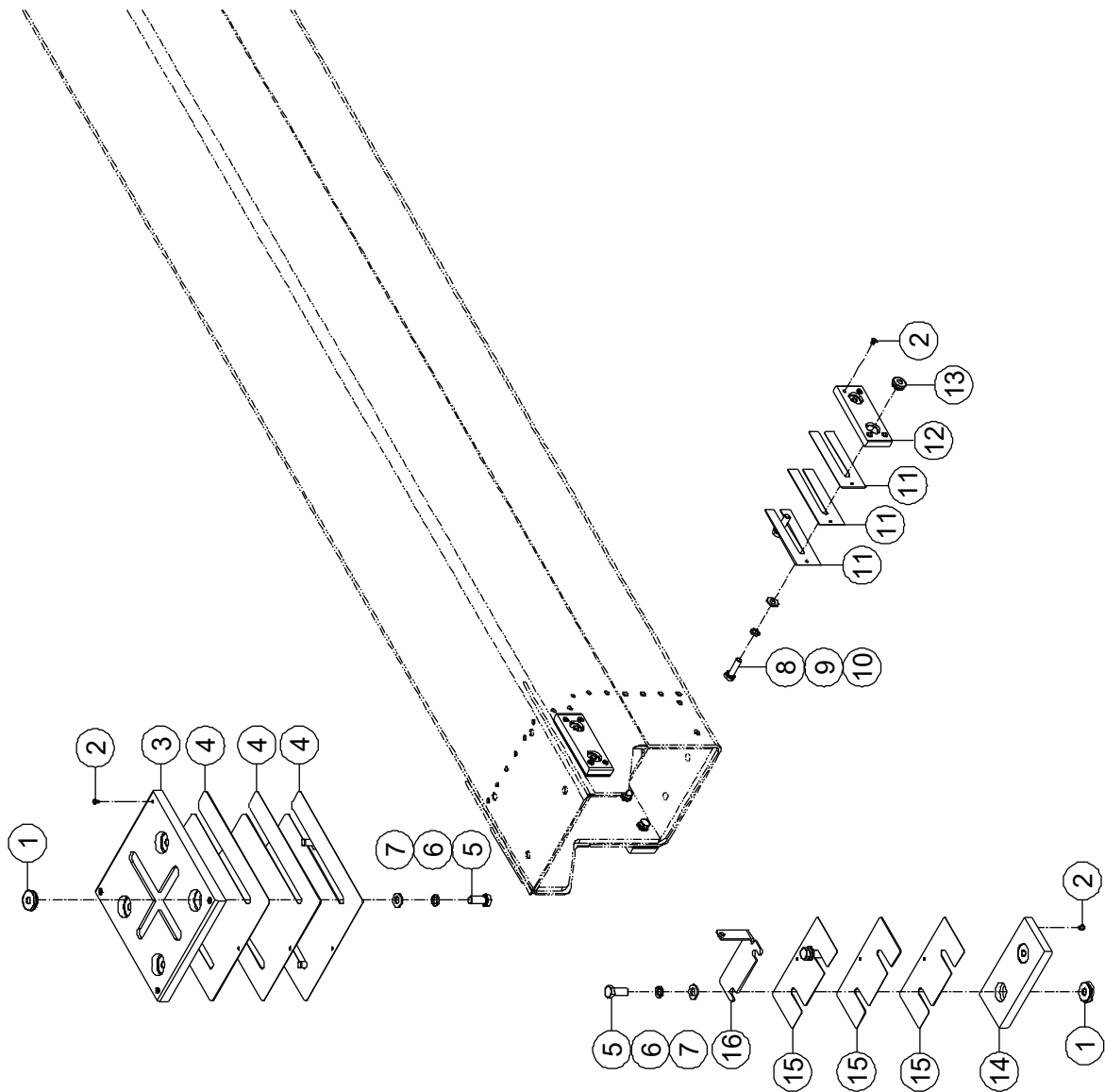
3-10 Base Boom Sliding Block Installations



3-10 Base Boom Sliding Block Installations

Item	Part Number	Description	Qty.	Remark
1	00006121	Bolt GB/T 5786 M12×1.25 × 25	4	
2	00000815	Spring Washer GB/T 93 12	8	
3	00000814	Flat Washer GB/T 97.1 12	8	
4	92000126	Shim	6	
5	92000156	Sliding Block	2	
6	92000169	Insert	8	
7	92009458	Plug	32	
8	00001033	Nut GB/T 6182 M6	16	
9	00000620	Flat Washer GB/T 97.1 6	32	
10	92050922	Cover	1	
11	00000818	Bolt GB/T 5783 M6 × 16	4	
12	00000621	Spring Washer GB/T 93 6	4	
13	00002583	Flat Washer GB/T 96.1 6	4	
14	92000154	Sliding Block	2	
15	92000111	Shim	6	
16	00006122	Bolt GB/T 5786 M12×1.25 × 30	4	
17	00000774	Screw GB/T 70 M6 × 20	16	
18	92100140	Guard	1	
19	92100139	Guard	1	
20	92000139	Insert	8	
21	92000141	Sliding Block	4	
22	92029615	Shim	12	
23	00000678	Bolt GB/T 5783 M10 × 25	8	
24	00000679	Spring Washer GB/T 93 10	8	
25	00000615	Flat Washer GB/T 97.1 10	8	

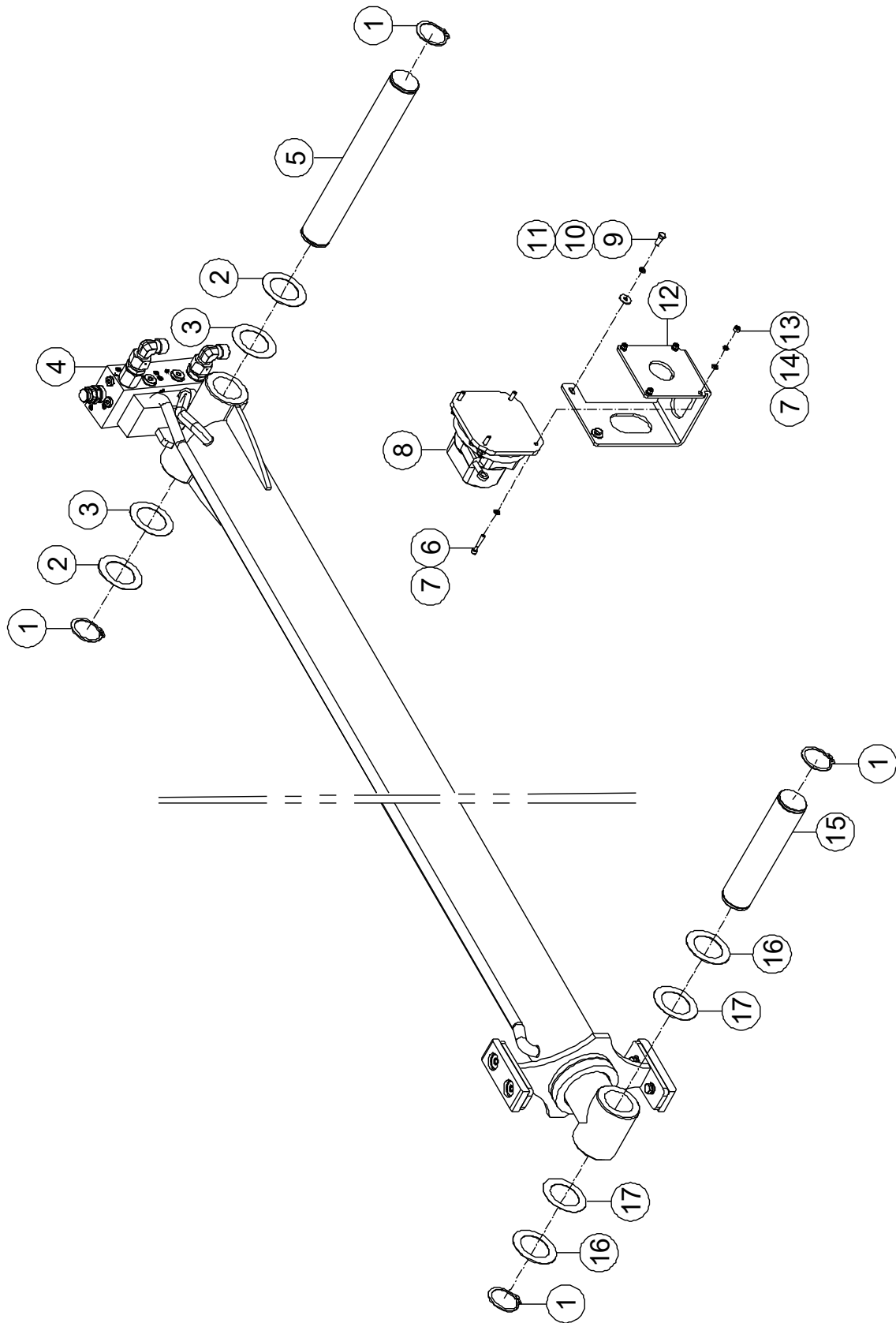
3-11 Second Boom Sliding Block Installations



3-11 Second Boom Sliding Block Installations

Item	Part Number	Description	Qty.	Remark
1	92000169	Insert	6	
2	92009458	Plug	24	
3	92000152	Sliding Block	1	
4	92000133	Shim	3	
5	00006122	Bolt GB/T 5786 M12×1.25 × 30	6	
6	00000815	Spring Washer GB/T 93 12	6	
7	00000814	Flat Washer GB/T 97.1 12	6	
8	00000684	Bolt GB/T 5783 M10 × 35	8	
9	00000679	Spring Washer GB/T 93 10	8	
10	00000615	Flat Washer GB/T 97.1 10	8	
11	92029615	Shim	12	
12	92000143	Sliding Block	4	
13	92000139	Insert	8	
14	92000121	Sliding Block	1	
15	92000120	Shim	3	
16	92100111	Plate	1	

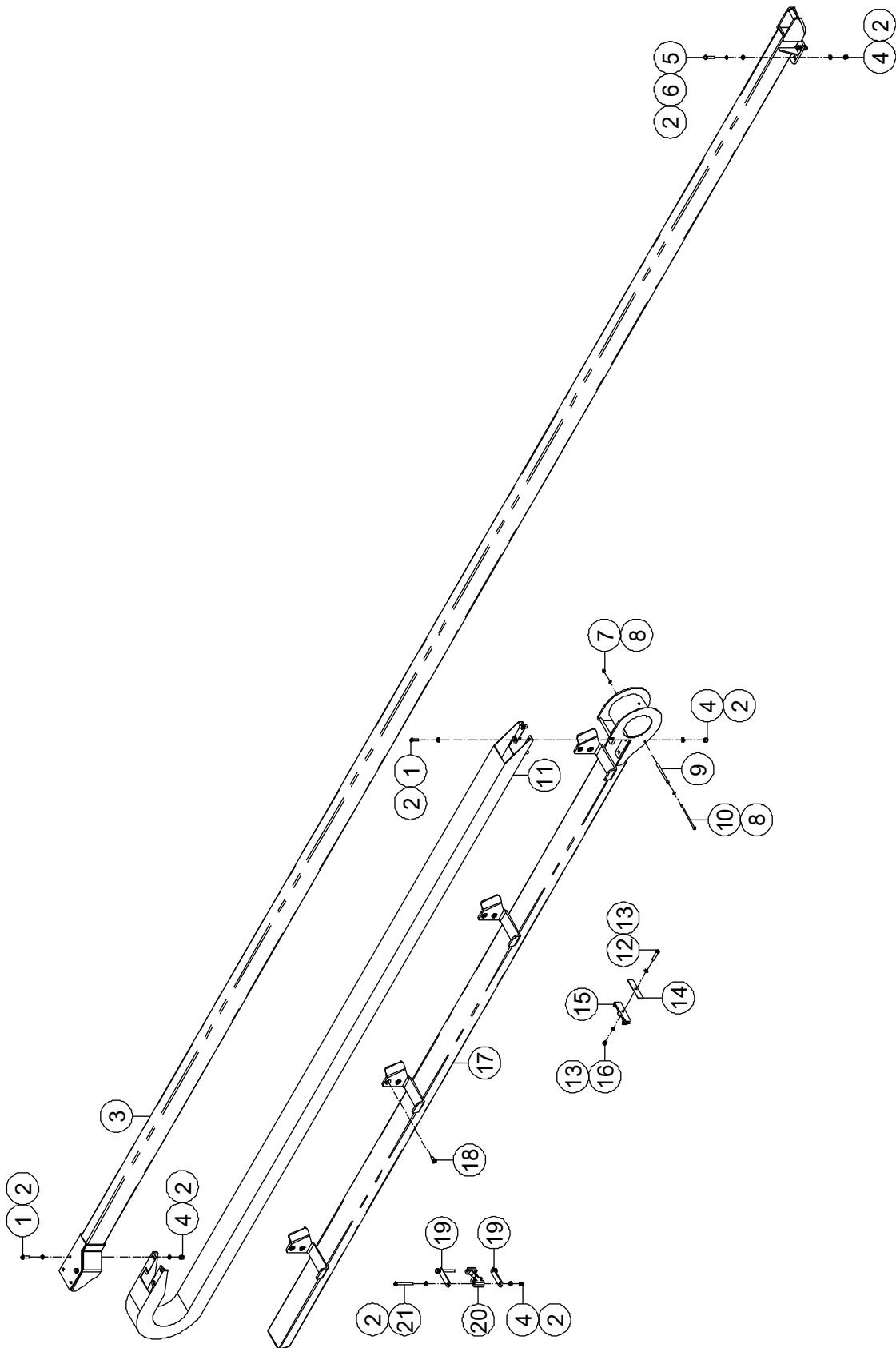
3-12 Main Telescopic Cylinder Assembly Installations



3-12 Main Telescopic Cylinder Assembly Installations

Item	Part Number	Description	Qty.	Remark
1	00000931	Washer GB/T 894.1-45	4	
2	92030481	Shim	2	
3	92030480	Shim	2	
4		Main Telescopic Cylinder Assembly (<i>Refer to 5-6</i>)	1	
5	92030299	Pin, Pivot	1	
6	00001253	Screw GB/T 70 M5 × 30	4	
7	00000605	Flat Washer GB/T 97.1 5	8	
8	00008372	Length Angle Sensor	1	
9	00000818	Bolt GB/T 5783 M6 × 16	2	
10	00000621	Spring Washer GB/T 93 6	2	
11	00002583	Flat Washer GB/T 96.1 6	2	
12	92100110	Plate	1	
13	00000688	Nut GB/T 6170 M5	4	
14	00000606	Spring Washer GB/T 93 5	4	
15	92030310	Pin, Pivot	1	
16	92030483	Shim	2	
17	92030482	Shim	2	

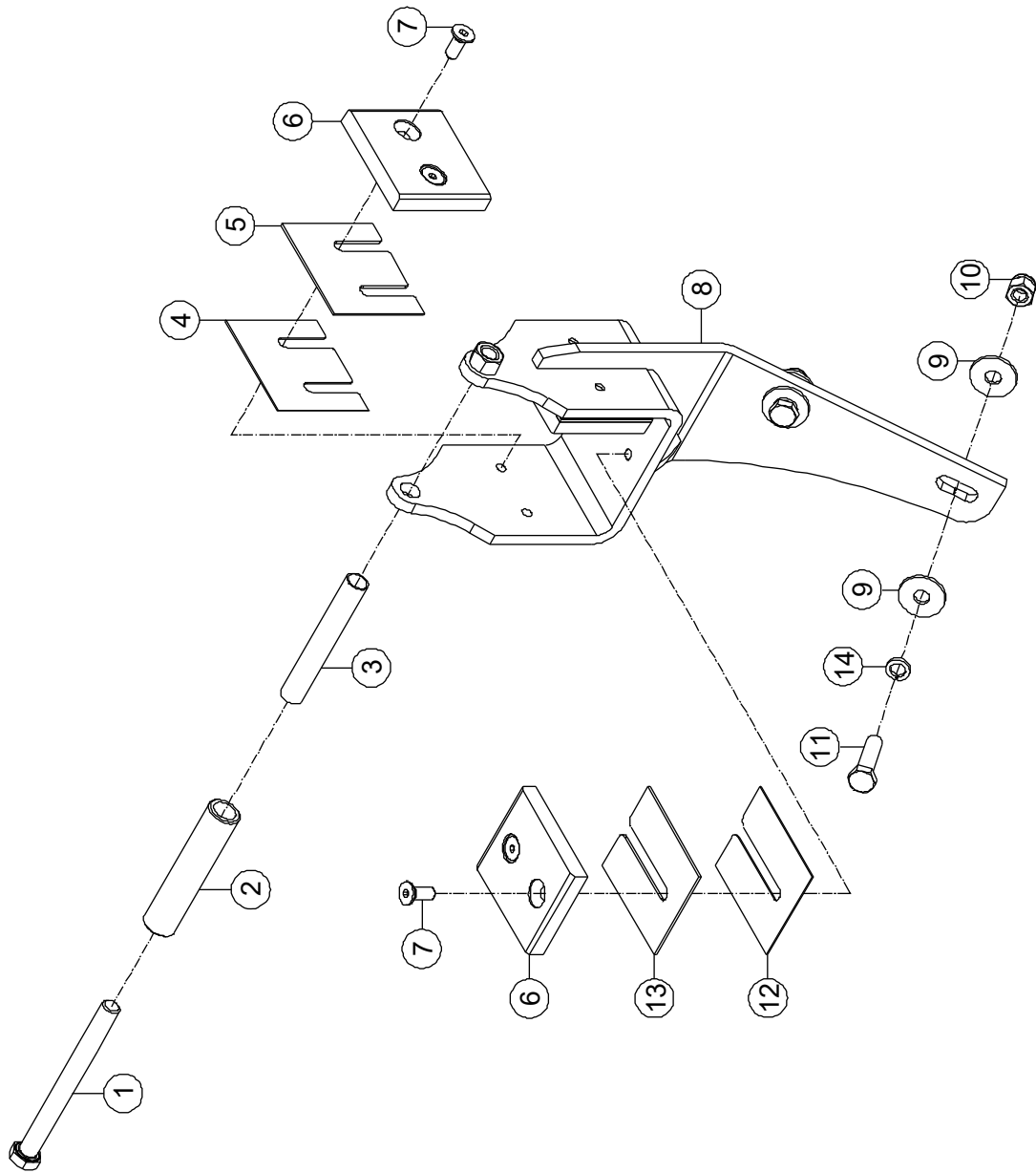
3-13 Carrier System Installations 1



3-13 Carrier System Installations 1

Item	Part Number	Description	Qty.	Remark
1	00000683	Bolt GB/T 5783 M10 × 30	6	
2	00000615	Flat Washer GB/T 97.1 10	24	
3	92050948	Support	1	BA28ERT BA28BERT
	92051452	Support	1	BA24ERT BA24BERT
4	00000623	Nut GB/T 6182 M10	12	
5	00001041	Bolt GB/T 5783 M10 × 40	4	
6	00000679	Spring Washer GB/T 93 10	4	
7	00001033	Nut GB/T 6182 M6	2	
8	00000620	Flat Washer GB/T 97.1 6	4	
9	92048339	Roller	2	
10	00006414	Bolt GB/T 5782 M6 × 145	2	
11	92050946	Chain	1	BA28ERT BA28BERT
	92051450	Chain	1	BA24ERT BA24BERT
12	00003607	Bolt GB/T 5783 M8 × 50	1	
13	00000608	Flat Washer GB/T 97.1 8	2	
14	92100679	Plate	1	
15	92100693	Clamp	1	
16	00001163	Nut GB/T 6182 M8	1	
17	92050944	Support	1	BA28ERT BA28BERT
	92051449	Support	1	BA24ERT BA24BERT
18	00000854	Screw GB/T 70.3 M12×25	8	BA28ERT BA28BERT
	00000854	Screw GB/T 70.3 M12×25	6	BA24ERT BA24BERT
19	92100680	Plate	2	
20	92100678	Clamp	1	
21	00002467	Bolt GB/T 5783 M10 × 90	2	

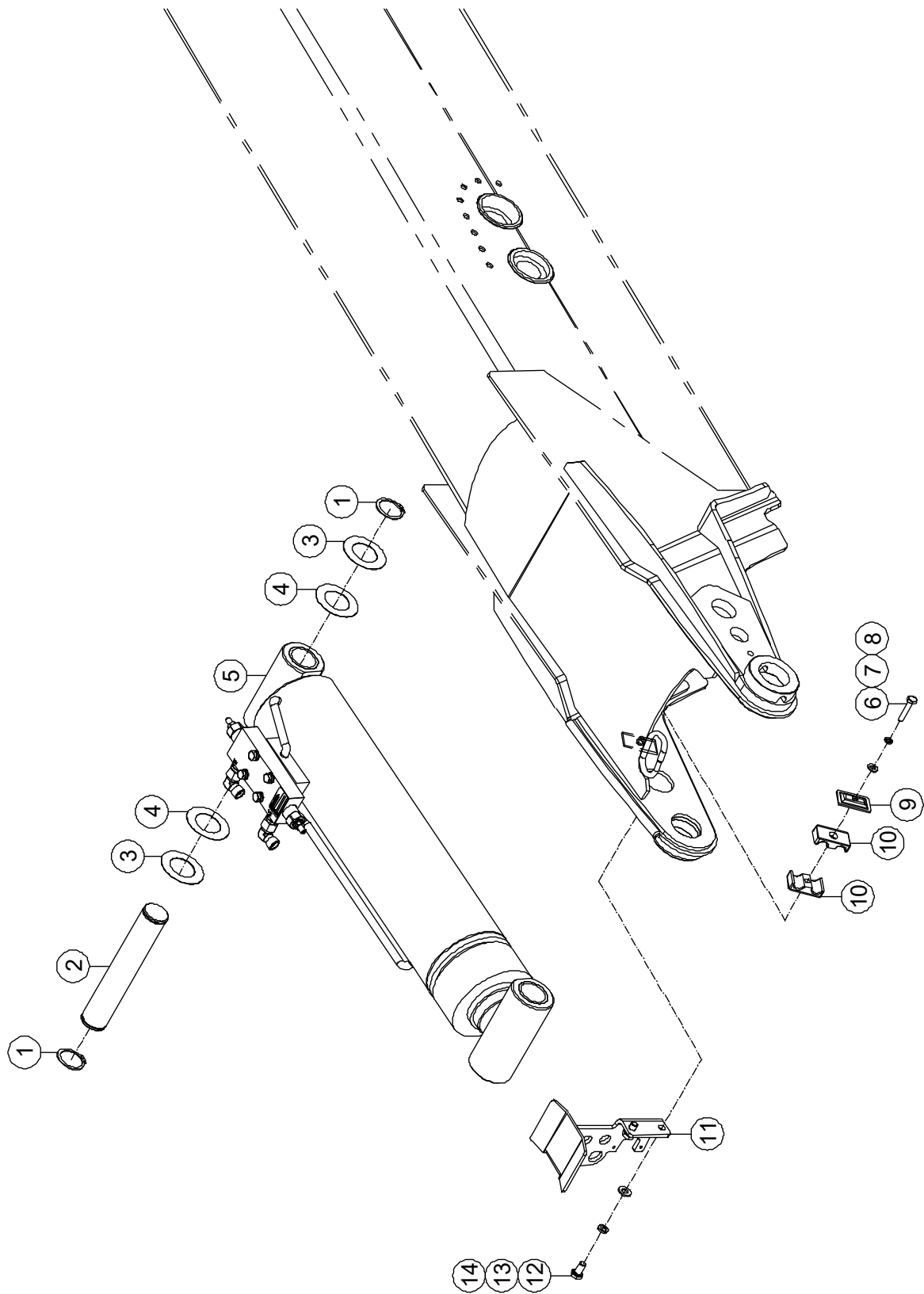
3-14 Carrier System Installations 2



3-14 Carrier System Installations 2

Item	Part Number	Description	Qty.	Remark
1	00002012	Bolt GB/T 5782 M12 × 130	1	
2	92048398	Roller	1	
3	92048400	Roller	1	
4	92048401	Shim	2	
5	92048402	Shim	2	
6	92048393	Sliding Block	3	
7	00000765	Screw GB/T 70.3 M8×20	6	
8	92050971	Support	1	
9	00001028	Flat Washer GB/T 96.1 10	4	
10	00000623	Nut GB/T 6182 M10	2	
11	00001041	Bolt GB/T 5783 M10 × 40	2	
12	92048396	Shim	1	
13	92048397	Shim	1	
14	00000679	Spring Washer GB/T 93 10	2	

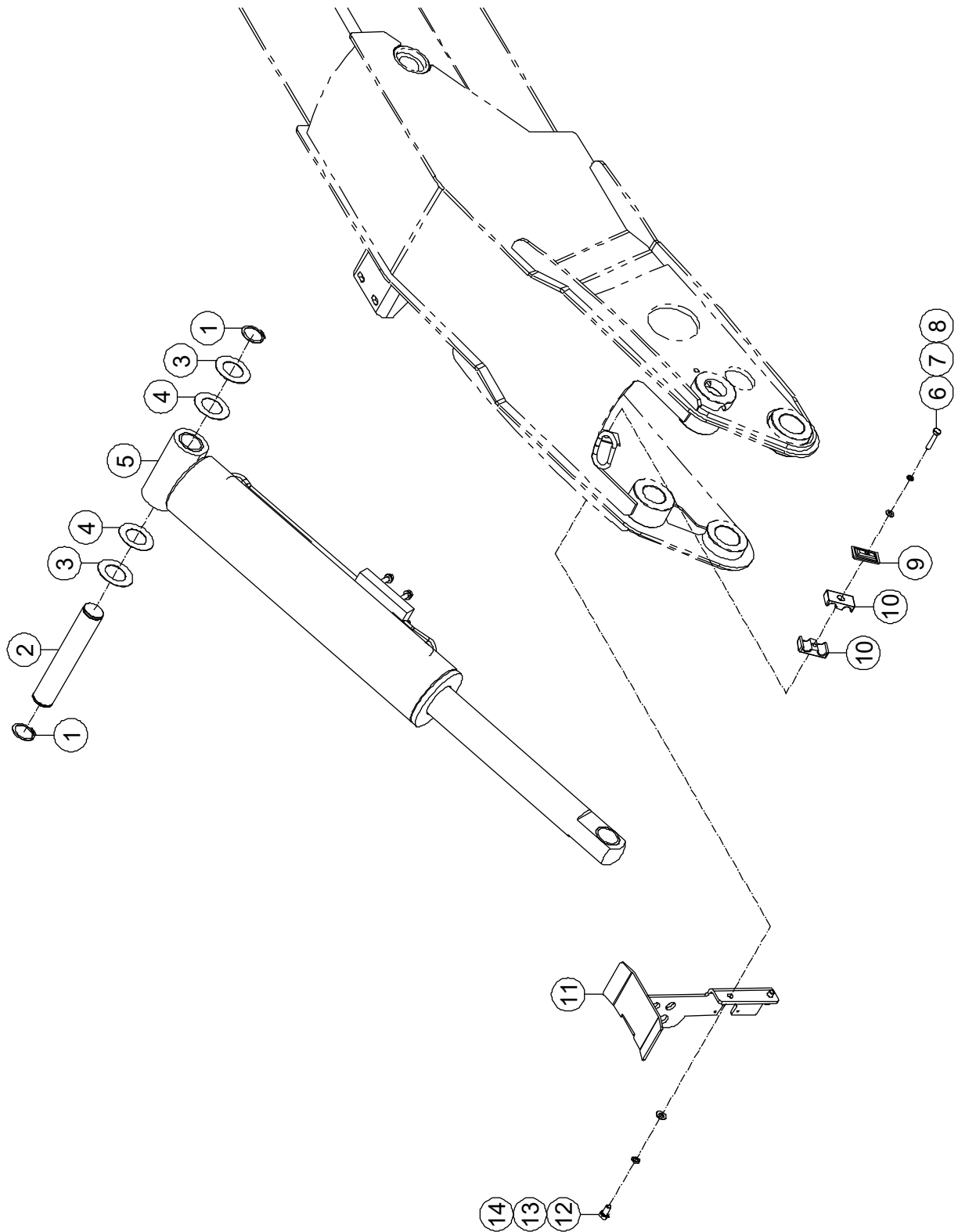
3-15 JIB Leveling Cylinder Assembly Installations (BA28ERT, BA24ERT)



3-15 JIB Leveling Cylinder Assembly Installations (BA28ERT, BA24ERT)

Item	Part Number	Description	Qty.	Remark
1	00000944	Washer GB/T 894.1-40	2	
2	92050933	Pin, Pivot	1	
3	92029978	Shim	2	
4	92029979	Shim	2	
5		JIB Leveling Cylinder Assembly (<i>Refer to 5-7</i>)	1	
6	00002604	Bolt GB/T 5783 M8 × 40	1	
7	00000609	Spring Washer GB/T 93 8	1	
8	00000608	Flat Washer GB/T 97.1 8	1	
9	90001243	Plate	1	
10	90001242	Clamp	2	
11	92100024	Support	1	
12	00000674	Bolt GB/T 5783 M10 × 20	2	
13	00000679	Spring Washer GB/T 93 10	2	
14	00000615	Flat Washer GB/T 97.1 10	2	

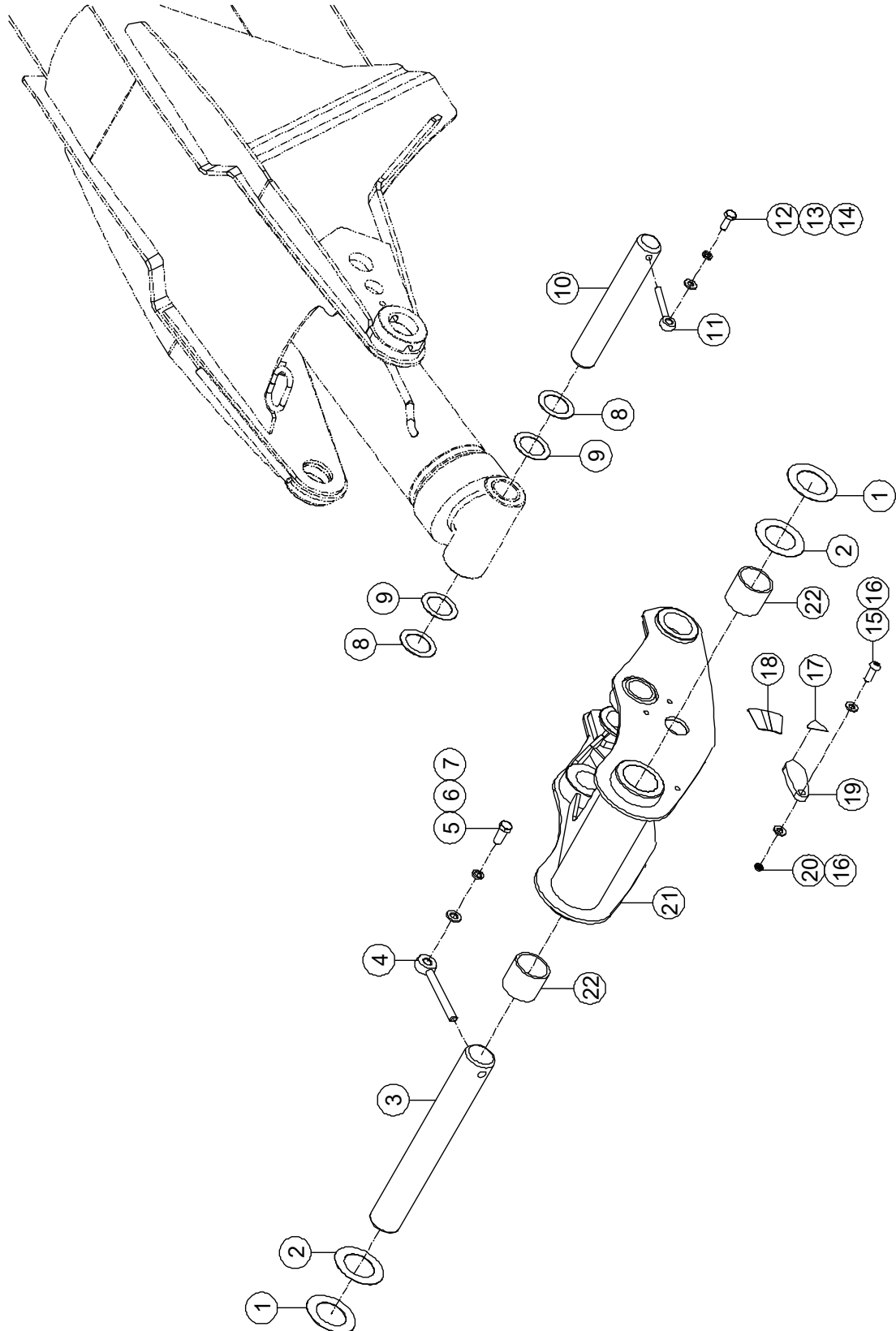
3-16 JIB Leveling Cylinder Assembly Installations (BA28BERT, BA24BERT)



3-16 JIB Leveling Cylinder Assembly Installations (BA28BERT, BA24BERT)

Item	Part Number	Description	Qty.	Remark
1	00000944	Washer GB/T 894.1-40	2	
2	92050933	Pin, Pivot	1	
3	92029978	Shim	2	
4	92029979	Shim	2	
5		JIB Leveling Cylinder Assembly (<i>Refer to 5-8</i>)	1	
6	00002604	Bolt GB/T 5783 M8 × 40	1	
7	00000609	Spring Washer GB/T 93 8	1	
8	00000608	Flat Washer GB/T 97.1 8	1	
9	90001243	Plate	1	
10	90001242	Clamp	2	
11	92102343	Support	1	
12	00000674	Bolt GB/T 5783 M10 × 20	2	
13	00000679	Spring Washer GB/T 93 10	2	
14	00000615	Flat Washer GB/T 97.1 10	2	

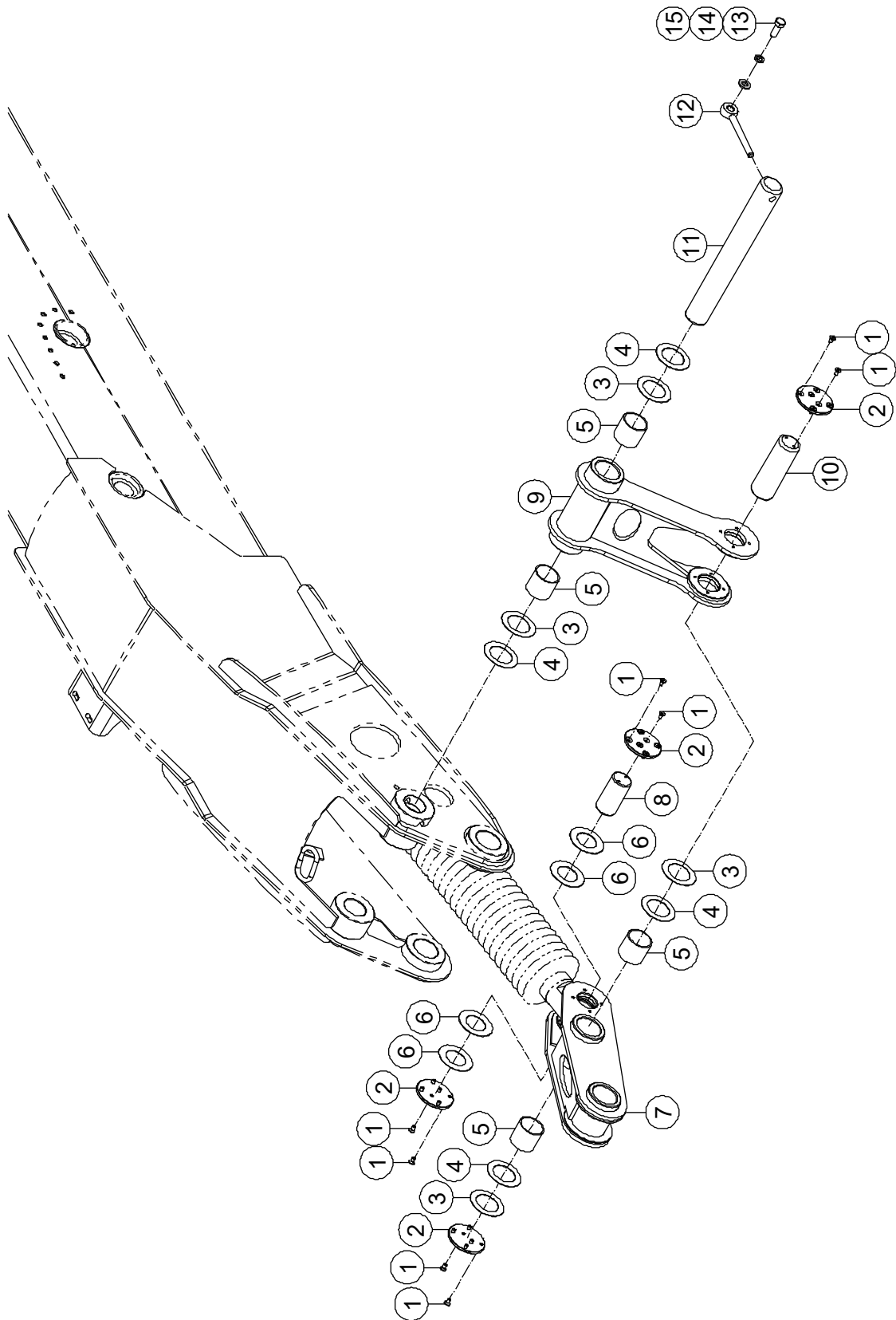
3-17 Telescopic Boom and Articulating JIB Installations (BA28ERT, BA24ERT)



3-17 Telescopic Boom and Articulating JIB Installations (BA28ERT, BA24ERT)

Item	Part Number	Description	Qty.	Remark
1	92029593	Shim	2	
2	92029594	Shim	2	
3	92048277	Pin, Pivot	1	
4	00002465	8902-12120 Pin, Lock	1	
5	00002059	Bolt GB/T 5783 M12 × 30	1	
6	00000815	Spring Washer GB/T 93 12	1	
7	00000814	Flat Washer GB/T 97.1 12	1	
8	92049266	Shim	2	
9	92049267	Shim	2	
10	92049264	Pin, Pivot	1	
11	00000220	8902-10080 Pin, Lock	1	
12	00000678	Bolt GB/T 5783 M10 × 25	1	
13	00000679	Spring Washer GB/T 93 10	1	
14	00000615	Flat Washer GB/T 97.1 10	1	
15	00002580	Screw GB/T 70.2 M10×30	1	
16	92001455	Washer	2	
17	92029982	Decal	1	
18	92032070	Decal	1	
19	92029981	Indicator	1	
20	00006418	Nut GB/T 6172.1 M8	1	
21	92100722	Junction	1	
22	92048520	8813-505850 Sleeve Bearing	2	

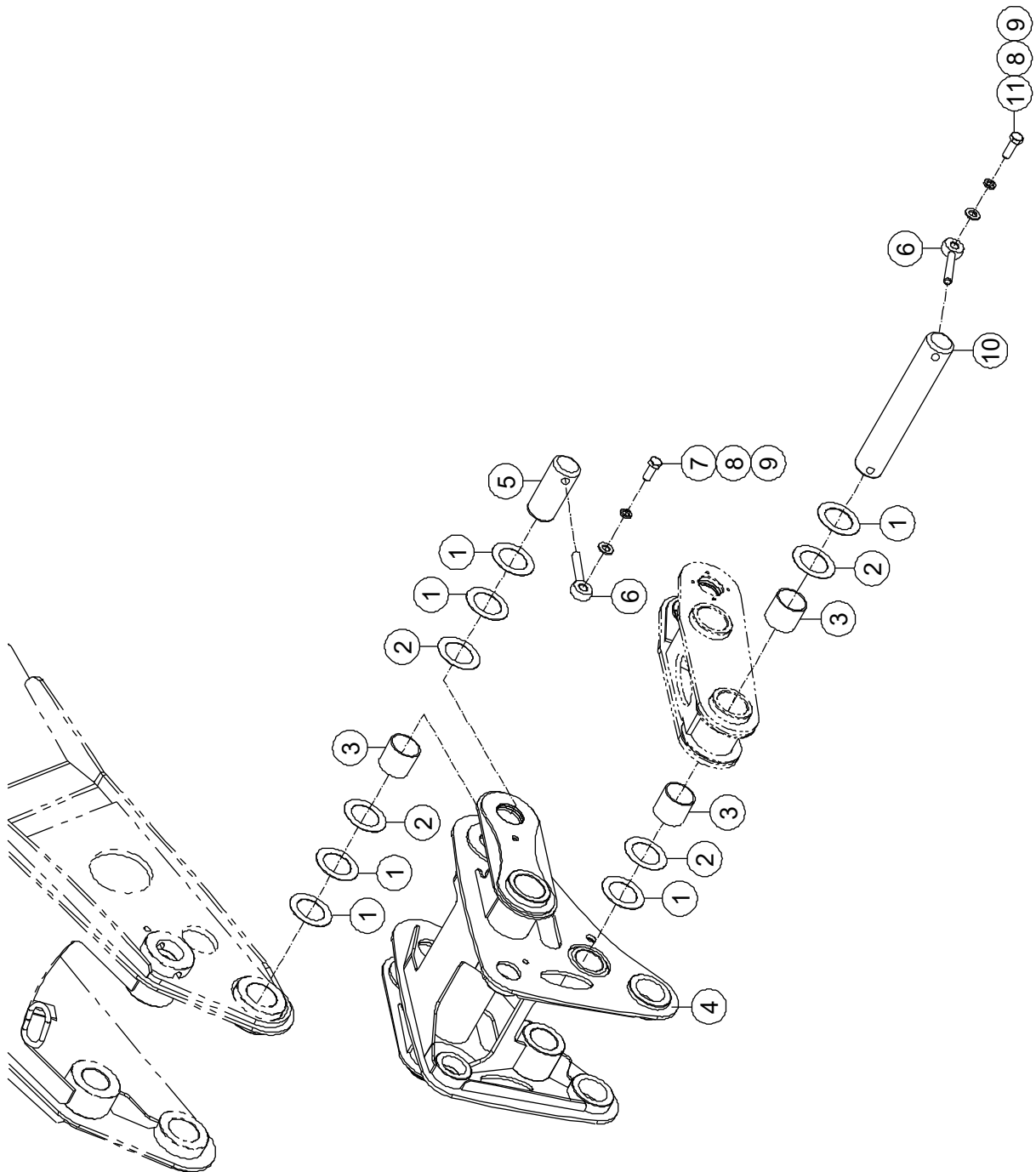
3-18 Telescopic Boom and Linkage Installations (BA28BERT, BA24BERT)



3-18 Telescopic Boom and Linkage Installations (BA28BERT BA24BERT)

Item	Part Number	Description	Qty.	Remark
1	00000829	Screw GB/T 70.3 M6×12	24	
2	50000448	Cover	4	
3	92030480	Shim	4	
4	92030481	Shim	4	
5	00009659	8813-455045 Sleeve Bearing	4	
6	92029978	Shim	4	
7	92101549	Linkage	1	
8	00009273	893C-40080 Pin, Pivot	1	
9	92101526	Linkage	1	
10	00000472	893C-45137 Pin, Pivot	1	
11	00009656	895-45342 Pin, Pivot	1	
12	00002465	8902-12120 Pin, Lock	1	
13	00002059	Bolt GB/T 5783 M12 × 30	1	
14	00000815	Spring Washer GB/T 93 12	1	
15	00000814	Flat Washer GB/T 97.1 12	1	

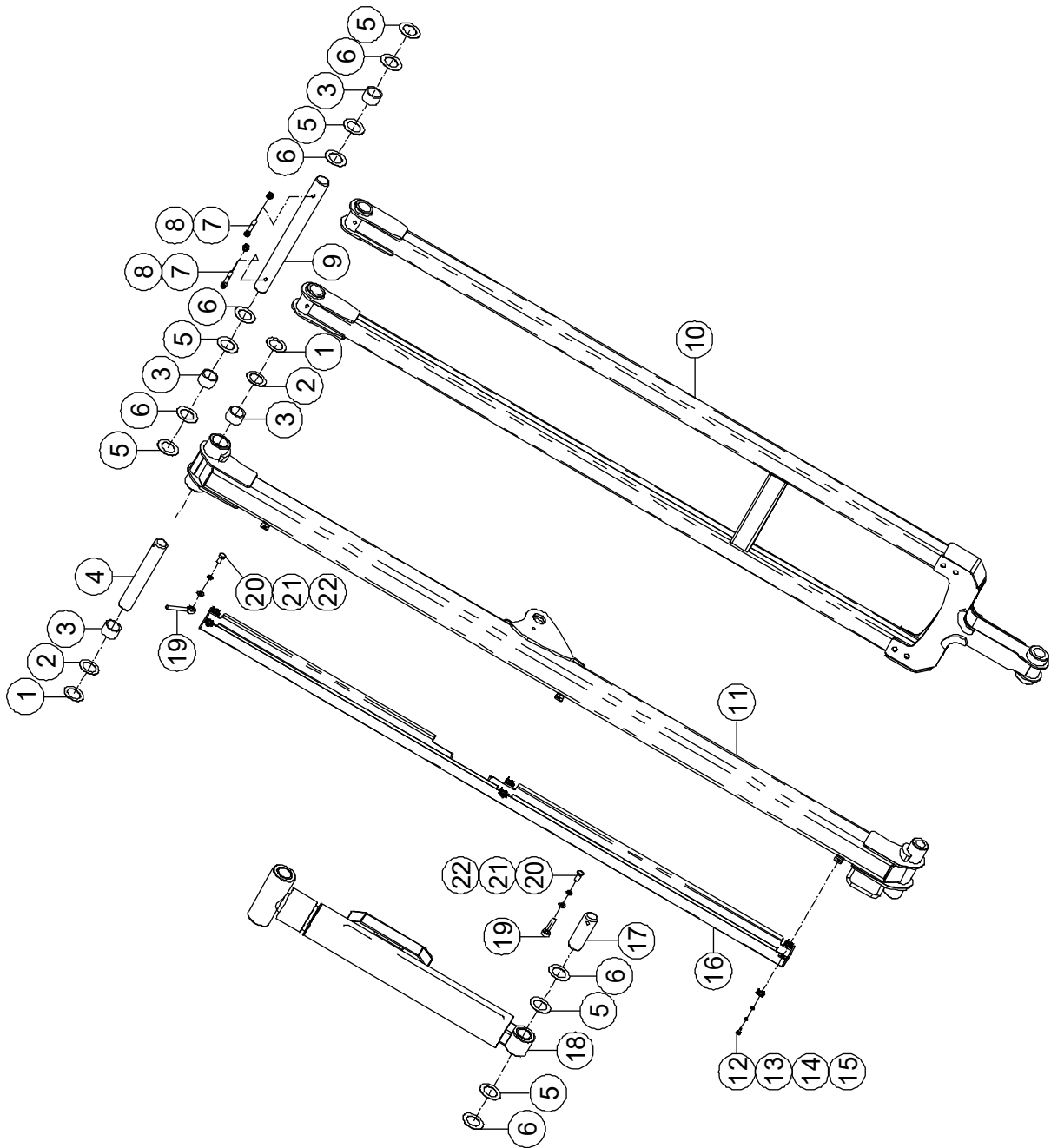
**3-19 Telescopic Boom and Articulating JIB Installations
(BA28BERT, BA24BERT)**



3-19 Telescopic Boom and Articulating JIB Installations (BA28BERT, BA24BERT)

Item	Part Number	Description	Qty.	Remark
1	92030481	Shim	10	
2	92030480	Shim	6	
3	00009659	8813-455045 Sleeve Bearing	4	
4	92102349	Junction	1	
5	00009655	895-45090 Pin, Pivot	2	
6	00002464	8902-12085 Pin, Lock	4	
7	00002059	Bolt GB/T 5783 M12 × 30	2	
8	00000815	Spring Washer GB/T 93 12	4	
9	00000814	Flat Washer GB/T 97.1 12	4	
10	00009657	897-45245 Pin, Pivot	1	
11	00002046	Bolt GB/T 5783 M12 × 35	2	

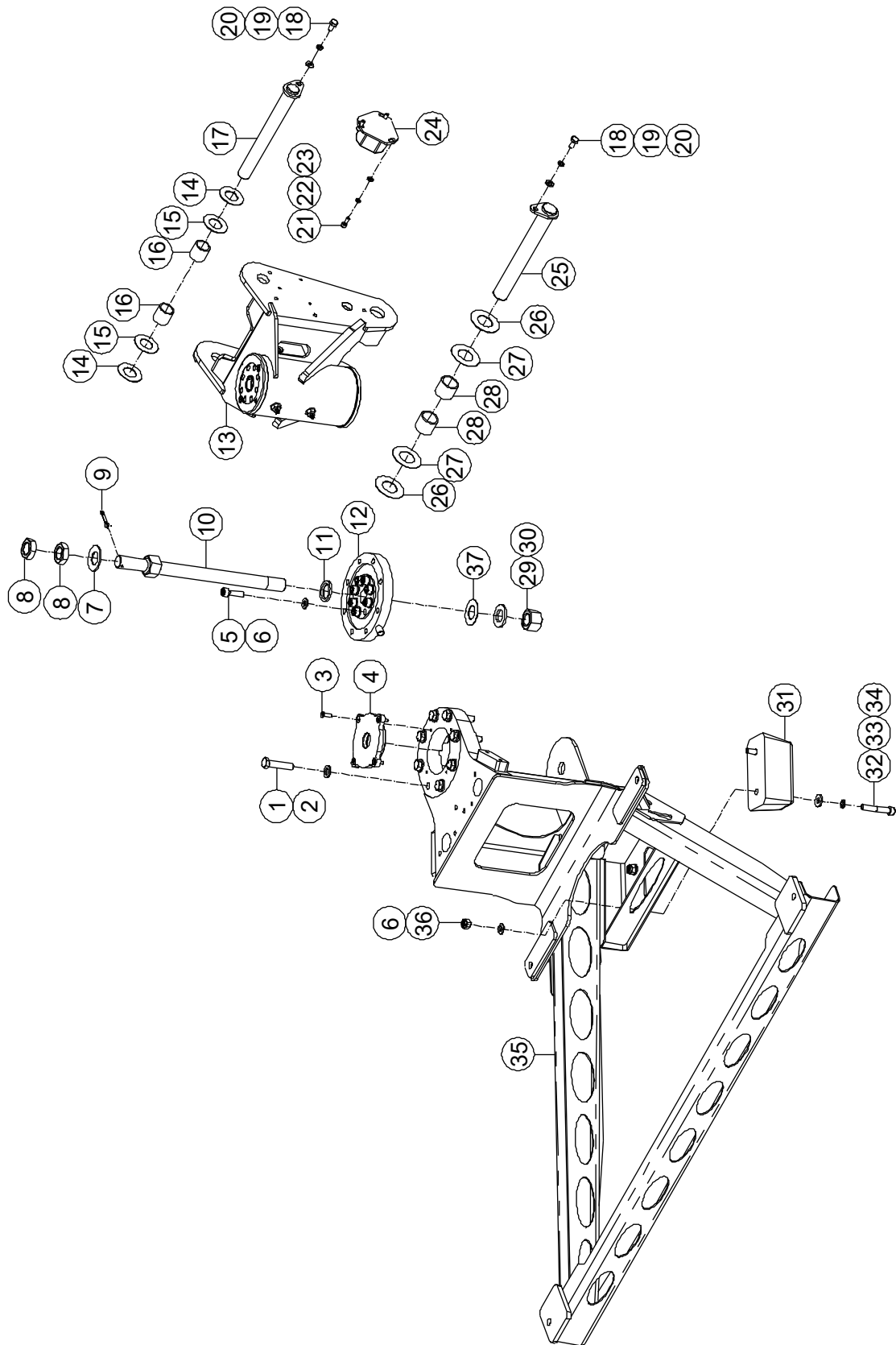
3-20 Articulating JIB Installations



3-20 Articulating JIB Installations

Item	Part Number	Description	Qty.	Remark
1	92049266	Shim	2	
2	92049267	Shim	2	
3	92048639	8813-404830 Sleeve Bearing	4	
4	92049264	Pin, Pivot	1	
5	92049271	Shim	6	
6	92049272	Shim	6	
7	00002556	Screw GB/T 70 M10 × 70	2	
8	00000623	Nut GB/T 6182 M10	2	
9	92049270	Pin, Pivot	1	
10	92100201	Linker, Lower	1	
11	92100199	Linker, Upper	1	
12	00000818	Bolt GB/T 5783 M6 × 16	6	
13	00000621	Spring Washer GB/T 93 6	6	
14	00000620	Flat Washer GB/T 97.1 6	6	
15	50000112	Nut QC/T 885 M6	6	
16	92049162	Channel	1	
17	92049281	Pin, Pivot	1	
18		JIB Lifting Cylinder Assembly (<i>Refer to 5-9</i>)	1	
19	00000220	8902-10080 Pin, Lock	2	
20	00000678	Bolt GB/T 5783 M10 × 25	2	
21	00000679	Spring Washer GB/T 93 10	2	
22	00000615	Flat Washer GB/T 97.1 10	2	

3-21 Rotate Cylinder Assembly Installations



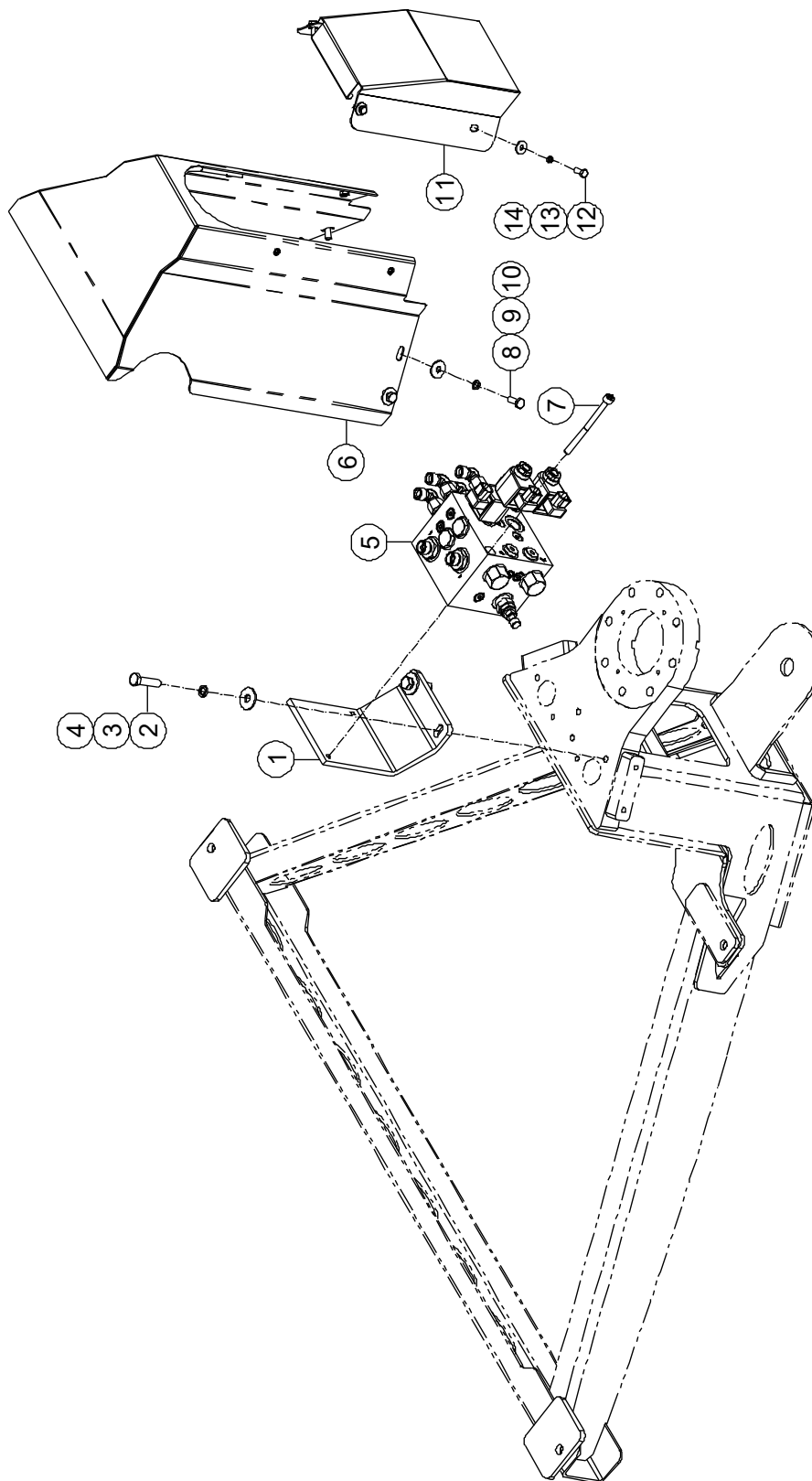
3-21 Rotate Cylinder Assembly Installations

Item	Part Number	Description	Qty.	Remark
1	00002923	Bolt GB/T 5783 M12 × 55	8	
2	00000814	Flat Washer GB/T 97.1 12	8	
3	00000831	Screw GB/T 70.3 M6×20	4	
4	92100987	Cover	1	
5	00002238	Screw GB/T 70 M10 × 35	8	
6	00000615	Flat Washer GB/T 97.1 10	12	
7	00007974	Nut GB/T 6173 M24×2	1	
8	00007853	Nut GB/T 6173 M24×2	2	
9	00002405	Cotter Pin GB/T 91 4 × 32	1	
10	92100986	Pin, Pivot	1	
11	92100206	Shim	1	
12	00006204	Load Sensor	1	
13	92047710	Rotate Cylinder Assembly	1	
14	92049314	Shim	2	
15	92049308	Shim	2	
16	92048521	8813-253030 Sleeve Bearing	2	
17	92049088	Pin	1	
18	00001063	Bolt GB/T 5783 M8 × 16	2	
19	00000609	Spring Washer GB/T 93 8	2	
20	00000608	Flat Washer GB/T 97.1 8	2	
21	00000876	Screw GB/T 70 M6 × 16	3	
22	00000621	Spring Washer GB/T 93 6	3	
23	00000620	Flat Washer GB/T 97.1 6	3	
24	00008914	Angle sensor	1	Standard, single channel
	00002916	Angle sensor	1	Optional, dual channel
25	92049129	Pin	1	
26	92049084	Shim	2	
27	92049081	Shim	2	

3-21 Rotate Cylinder Assembly Installations (Continued)

Item	Part Number	Description	Qty.	Remark
28	92049042	8813-303630 Sleeve Bearing	2	
29	00006420	Nut GB/T 6176 M24×2	1	
30	00001159	Flat Washer GB/T 97.1 24	1	
31	10000041	Plate, Rubber	2	
32	00000614	Screw GB/T 70 M10 × 60	4	
33	00000679	Spring Washer GB/T 93 10	4	
34	92100049	Washer	4	
35	92100269	Support	1	
36	00000623	Nut GB/T 6182 M10	4	
37	92101369	Shim	1	

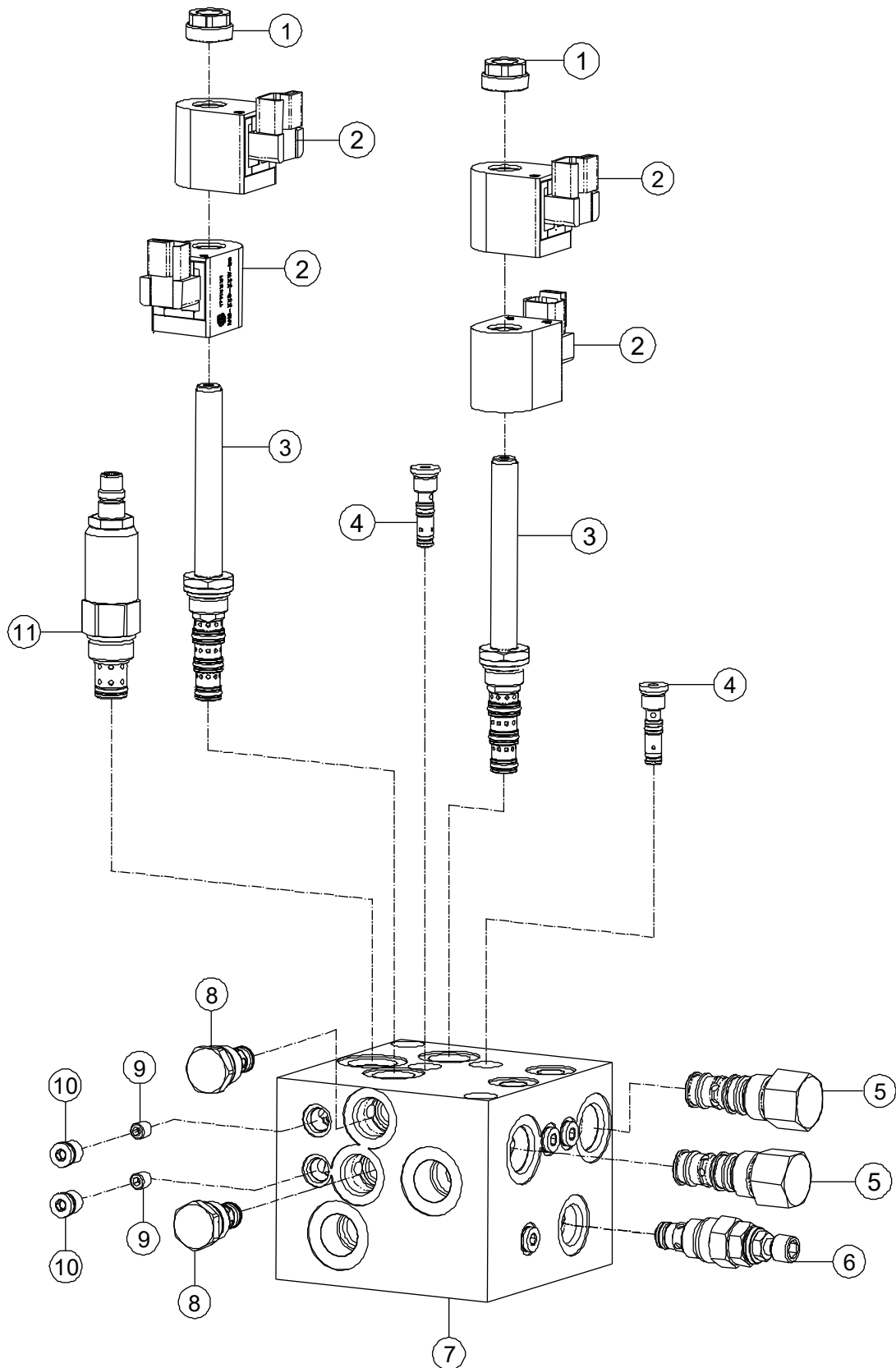
3-22 Articulating JIB Valve Block Installations



3-22 Articulating JIB Valve Block Installations

Item	Part Number	Description	Qty.	Remark
1	92000073	Support	1	
2	00001041	Bolt GB/T 5783 M10 × 40	2	
3	00000679	Spring Washer GB/T 93 10	2	
4	00001028	Flat Washer GB/T 96.1 10	2	
5	92049371	Valve Block (<i>Refer to 3-23</i>)	1	
6	92049154	Housing	1	
7	00002497	Screw GB/T 70 M8 × 100	2	
8	00000875	Bolt GB/T 5783 M8 × 20	4	
9	00000609	Spring Washer GB/T 93 8	4	
10	00002000	Flat Washer GB/T 96.1 8	4	
11	92101000	Housing	1	
12	00000818	Bolt GB/T 5783 M6 × 16	4	
13	00000621	Spring Washer GB/T 93 6	4	
14	00002583	Flat Washer GB/T 96.1 6	4	

3-23 Valve Block

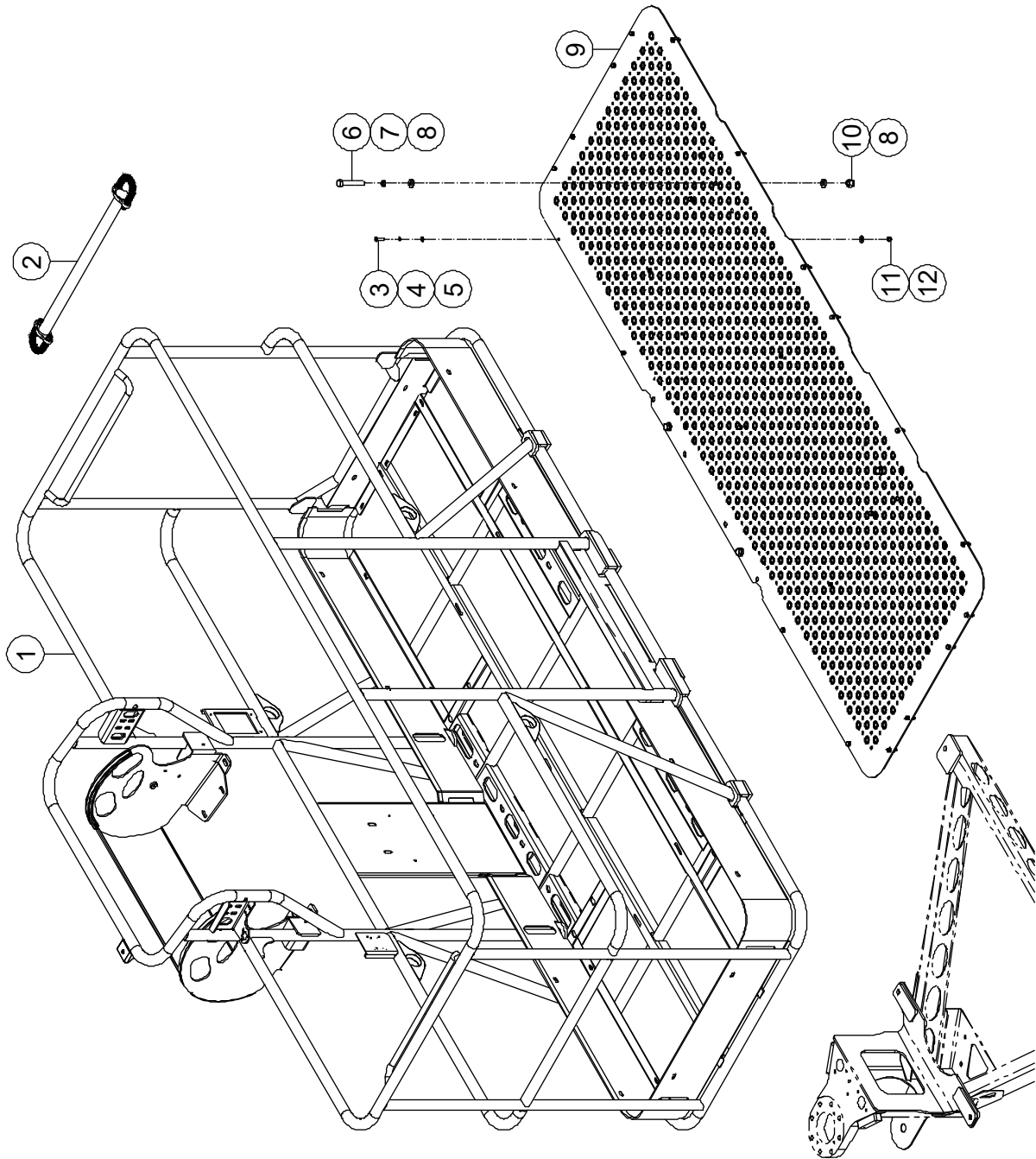


3-23 Valve Block

Item	Part Number	Description	Qty.	Remark
1	00003352	Nut	2	
2	00003320	Coil	4	
3	00006088	Cartridge, Proportional Valve	2	
4	00003291	Cartridge, Shuttle Valve	2	
5	00003306	Logic Element	2	
6	00006944	Cartridge, Relief Valve	1	
7	00006940	Body	1	
8	00003589	Cartridge, Check Valve	2	
9	00003358	Orifice	2	
10	00004342	Plug	8	
11	00003591	Cartridge, Relief Valve	1	

Section 4 Platform

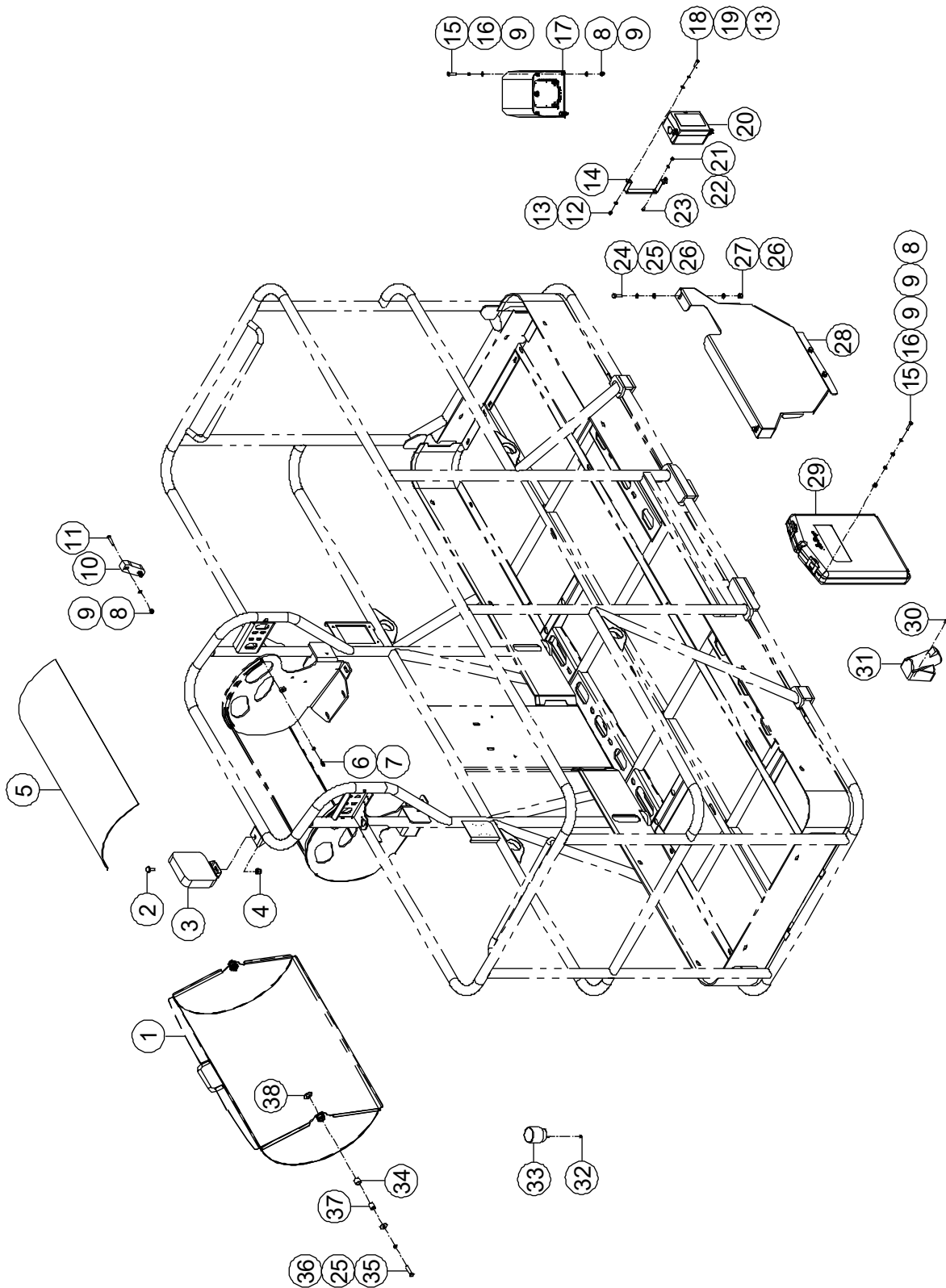
4-1 Platform Installations



4-1 Platform Installations

Item	Part Number	Description	Qty.	Remark
1	92100287	Platform	1	
2		Gate Assembly (Refer to 4-3)	2	
3	00000619	Bolt GB/T 5783 M6 × 25	24	
4	00000621	Spring Washer GB/T 93 6	24	
5	00000620	Flat Washer GB/T 97.1 6	24	
6	00002527	Bolt GB/T 5782 M12 × 80	4	
7	00000815	Spring Washer GB/T 93 12	4	
8	00000814	Flat Washer GB/T 97.1 12	8	
9	92100316	Deck Plate	1	
10	00001249	Nut GB/T 6182 M12	4	
11	00001033	Nut GB/T 6182 M6	24	
12	00002583	Flat Washer GB/T 96.1 6	24	

4-2 Platform Assembly



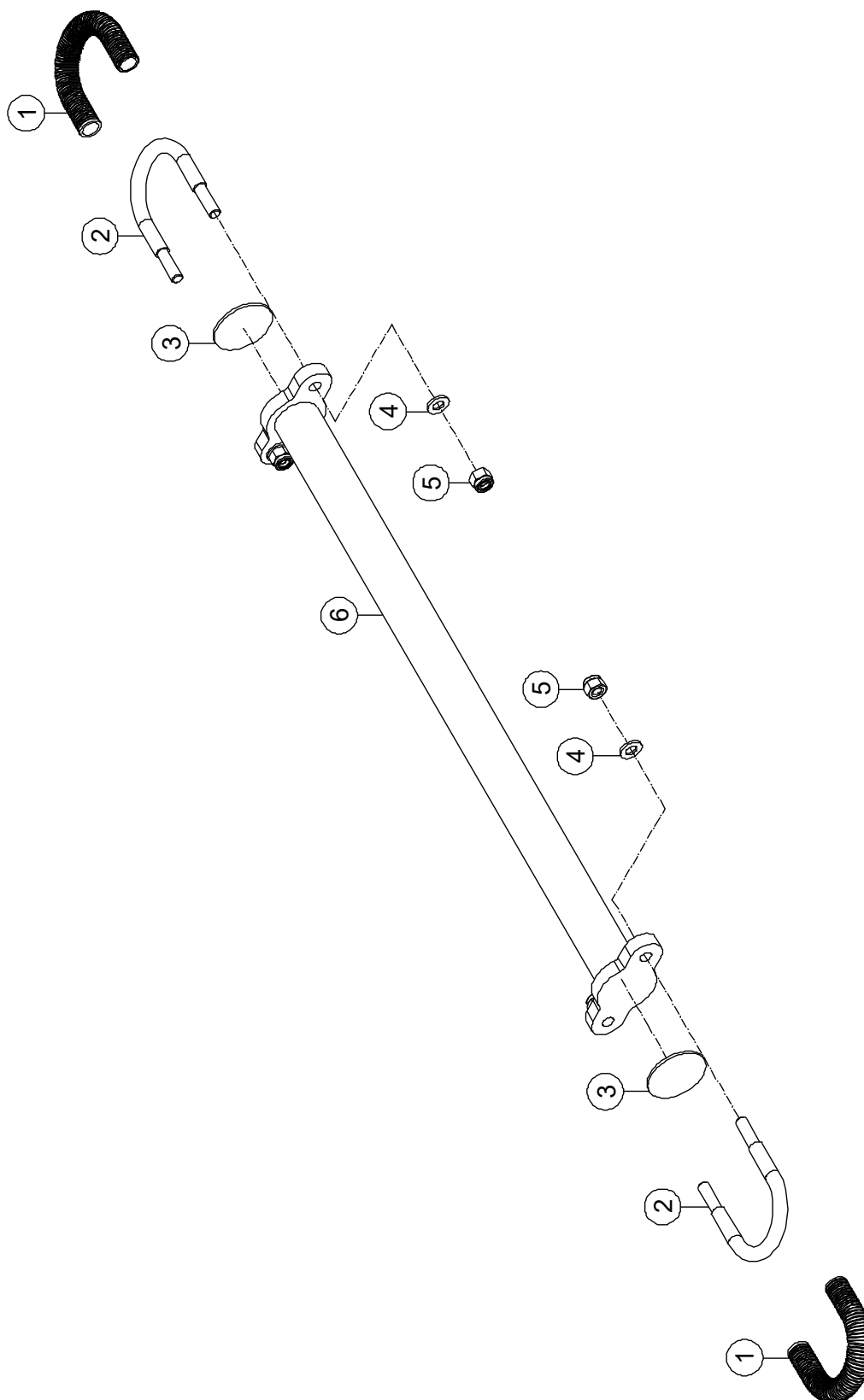
4-2 Platform Assembly

Item	Part Number	Description	Qty.	Remark
1	92000051	Shield	1	
2	00000674	Bolt GB/T 5783 M10 × 20	1	
3	00006753	Head Light	1	
4	00000623	Nut GB/T 6182 M10	1	
5	92000228	Shield, Plastic	1	
6	00001030	Screw GB/T 70 M5 × 10	2	
7	00000688	Nut GB/T 6170 M5	2	
8	00001033	Nut GB/T 6182 M6	12	
9	00000620	Flat Washer GB/T 97.1 6	20	
10	92000057	Plate, Limit	2	
11	00000863	Screw GB/T 70.3 M6×35	4	
12	00000613	Nut GB/T 6182 M5	4	
13	00000605	Flat Washer GB/T 97.1 5	8	
14	92000223	Plate	2	
15	00000619	Bolt GB/T 5783 M6 × 25	8	
16	00000621	Spring Washer GB/T 93 6	8	
17	00005212	Footswitch	1	
18	00002268	Bolt GB/T 5783 M5 × 20	4	
19	00000606	Spring Washer GB/T 93 5	4	
20	00000668	Electrical Outlet	1	
21	00001236	Nut GB/T 889.1 M4	2	
22	00000778	Flat Washer GB/T 97.1 4	2	
23	00002414	Screw GB/T 818 M4 × 12 - H	2	
24	00000993	Bolt GB/T 5783 M8 × 25	4	
25	00000609	Spring Washer GB/T 93 8	6	
26	00000608	Flat Washer GB/T 97.1 8	8	
27	00001163	Nut GB/T 6182 M8	4	
28	92000050	Plate, Decal	1	
29	50000555	Box, Manual	1	

4-2 Platform Assembly (Continued)

Item	Part Number	Description	Qty.	Remark
30	00001003	Screw GB/T 973 M4×12	4	
31	00002933	Electrical Outlet	1	Alternative
	00002709	Electrical Outlet	1	
32	00003700	Nut GB/T 889.1 M3	3	
33	00005190	Beacon	1	
34	92030523	Bushing	2	
35	00002488	Bolt GB/T 5783 M8 × 35	2	
36	00002000	Flat Washer GB/T 96.1 8	2	
37	92030530	Axes	2	
38	92030152	Washer	2	

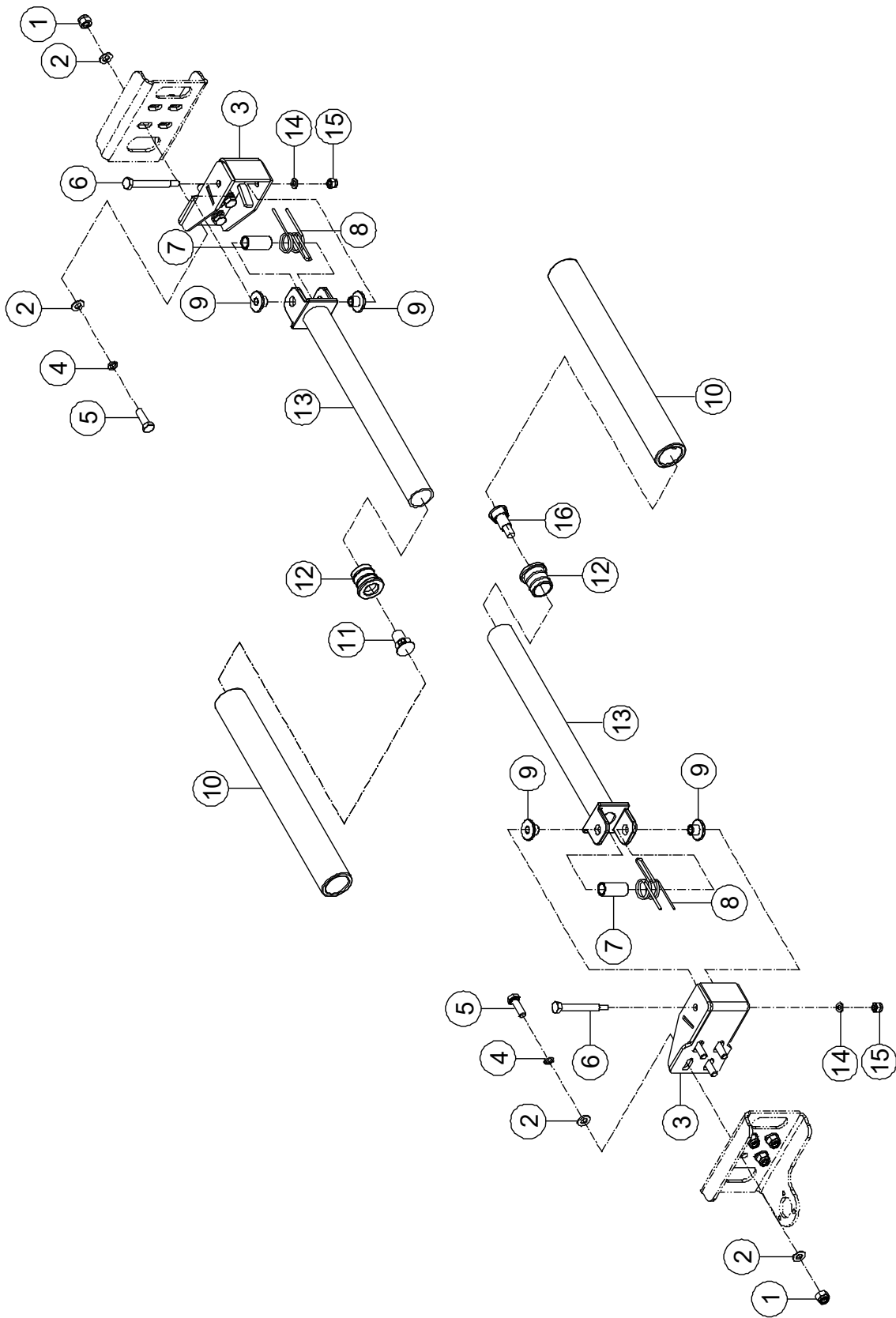
4-3 Gate Assembly



4-3 Gate Assembly

Item	Part Number	Description	Qty.	Remark
1	92100232	Jacket	2	
2	92100228	Clamp	2	
3	92100249	Anti-Scratch	2	
4	00000608	Flat Washer GB/T 97.1 8	4	
5	00001163	Nut GB/T 6182 M8	4	
6	92100229	Gate, Lift	1	

4-4 Lift Guard Contact Alarm

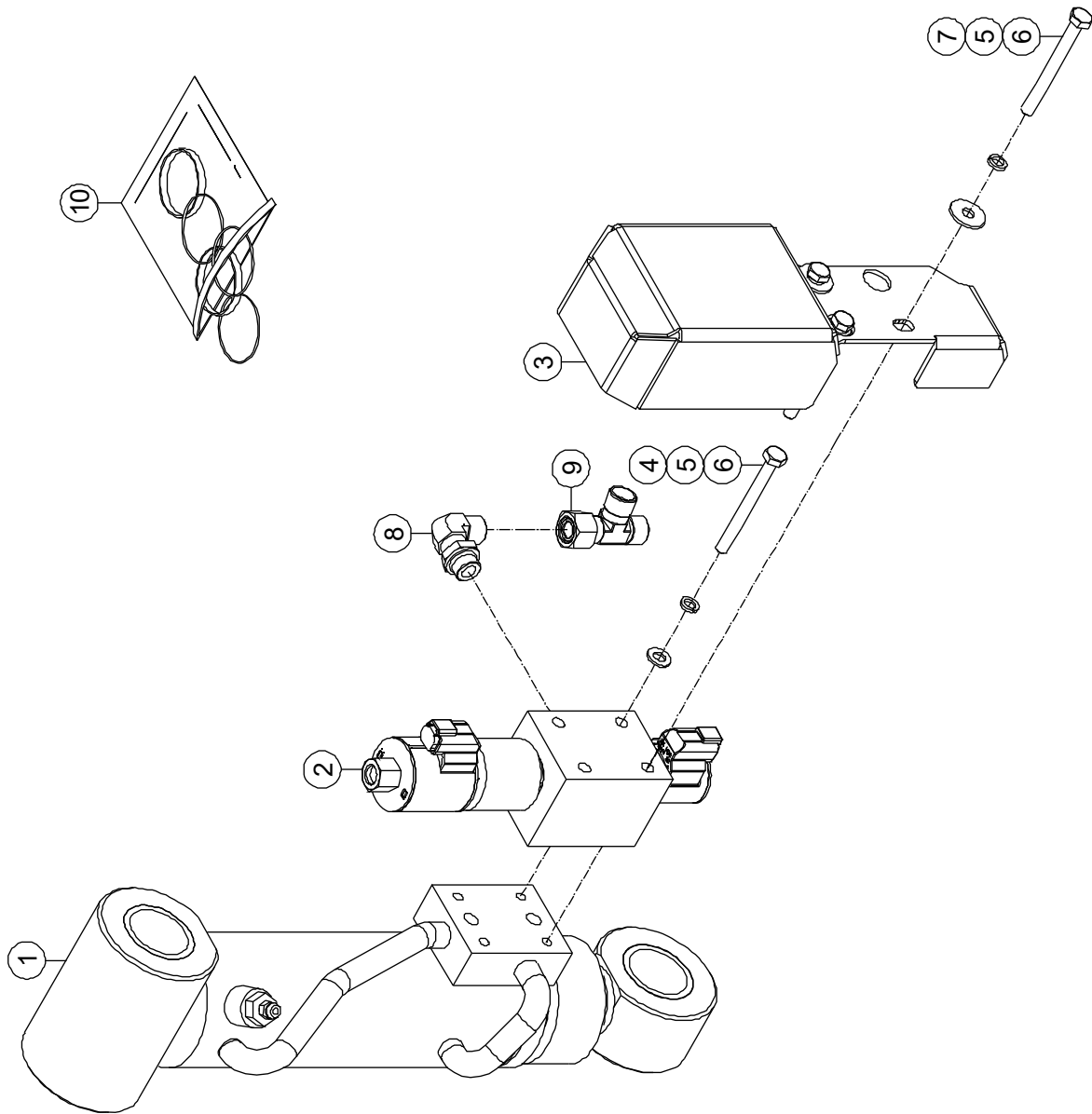


4-4 Lift Guard Contact Alarm

Item	Part Number	Description	Qty.	Remark
1	00001163	Nut GB/T 6182 M8	8	
2	00000608	Flat Washer GB/T 97.1 8	16	
3	92000231	Bracket, Contact Alarm	2	
4	00000609	Spring Washer GB/T 93 8	8	
5	00000993	Bolt GB/T 5783 M8 × 25	8	
6	92000239	Pin	2	
7	92000238	Tube	2	
8	92000237	Spring	2	
9	92000236	JDBB-1013 Bearing	4	
10	92000253	Jacket, Foam	2	
11	00006226	Magnet	1	
12	92000243	Plug, Nylon	2	
13	92000240	Tube, Contact Alarm	2	
14	00000620	Flat Washer GB/T 97.1 6	2	
15	00001033	Nut GB/T 6182 M6	2	
16	00006225	Door Magnetic Switch	1	

Section 5 Cylinder

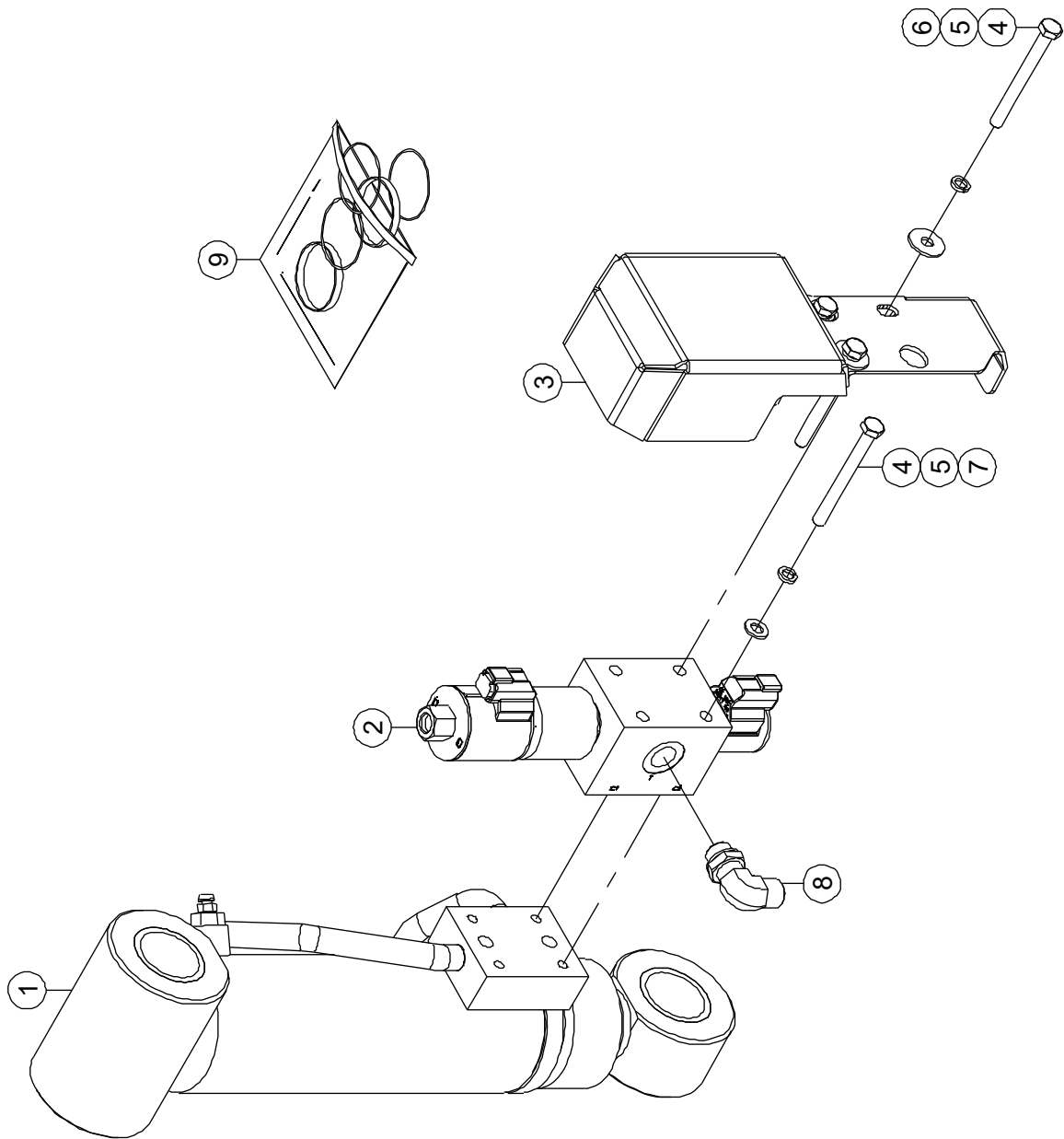
5-1 Left Axle Lockout Cylinder Assembly



5-1 Left Axle Lockout Cylinder Assembly

Item	Part Number	Description	Qty.	Remark
1	92049293	Left Axle Lockout Cylinder Assembly	1	
2	92047788	Valve	1	
3	92049302	Protective Guard	1	
4	00000608	Flat Washer GB/T 97.1 8	2	
5	00000609	Spring Washer GB/T 93 8	4	
6	00001026	Bolt GB/T 5782 M8 × 80	4	
7	00002000	Flat Washer GB/T 96.1 8	2	
8	00004922	Fitting, 90°	1	
9	00001239	Fitting, Tee	1	
10	92050380	Seal Kit 70/45	1	

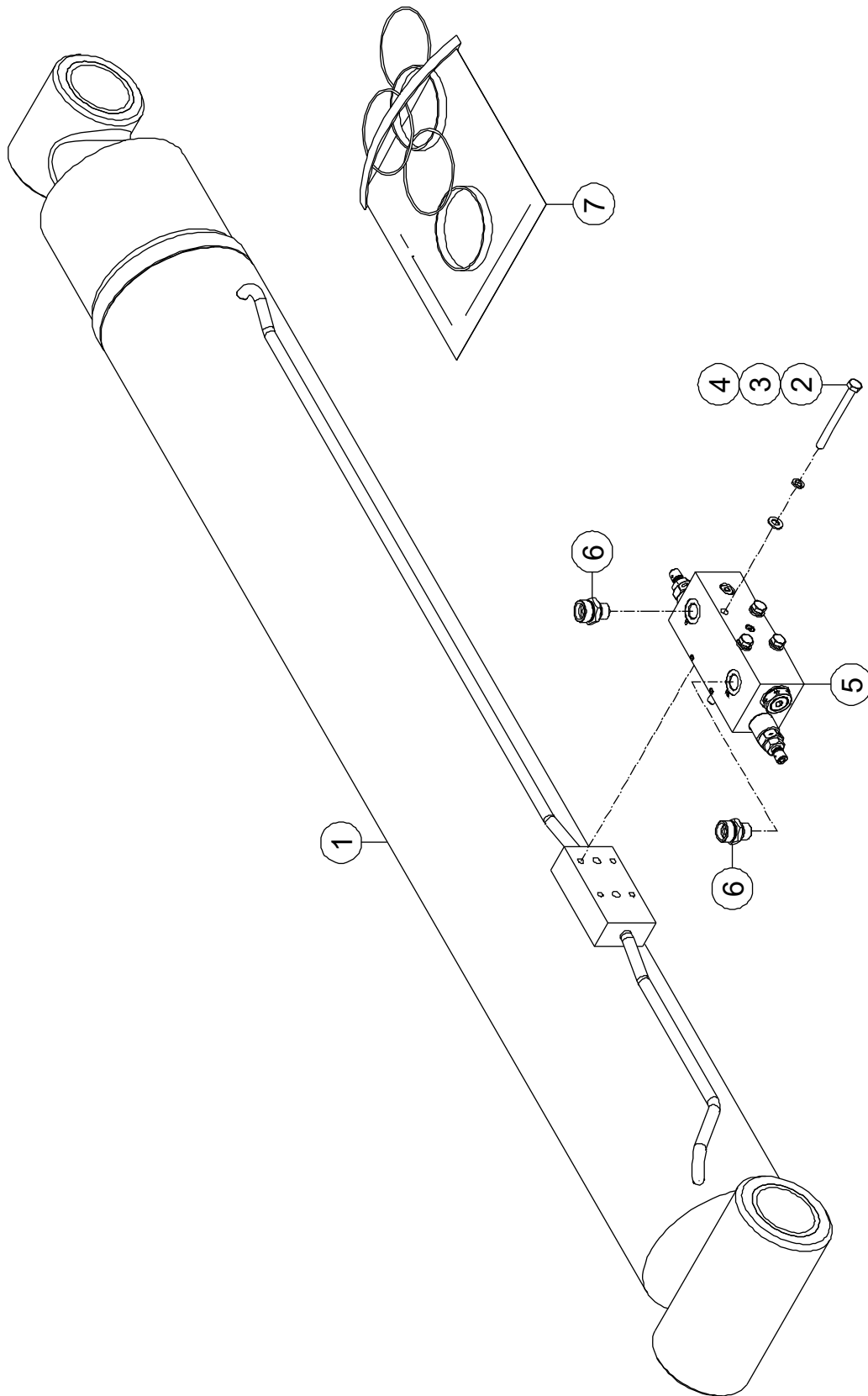
5-2 Right Axle Lockout Cylinder Assembly



5-2 Right Axle Lockout Cylinder Assembly

Item	Part Number	Description	Qty.	Remark
1	92049300	Right Axle Lockout Cylinder Assembly	1	
2	92047789	Valve	1	
3	92049303	Protective Guard	1	
4	00001026	Bolt GB/T 5782 M8 × 80	4	
5	00000609	Spring Washer GB/T 93 8	4	
6	00002000	Flat Washer GB/T 96.1 8	2	
7	00000608	Flat Washer GB/T 97.1 8	2	
8	00004922	Fitting, 90°	1	
9	92050380	Seal Kit 70/45	1	

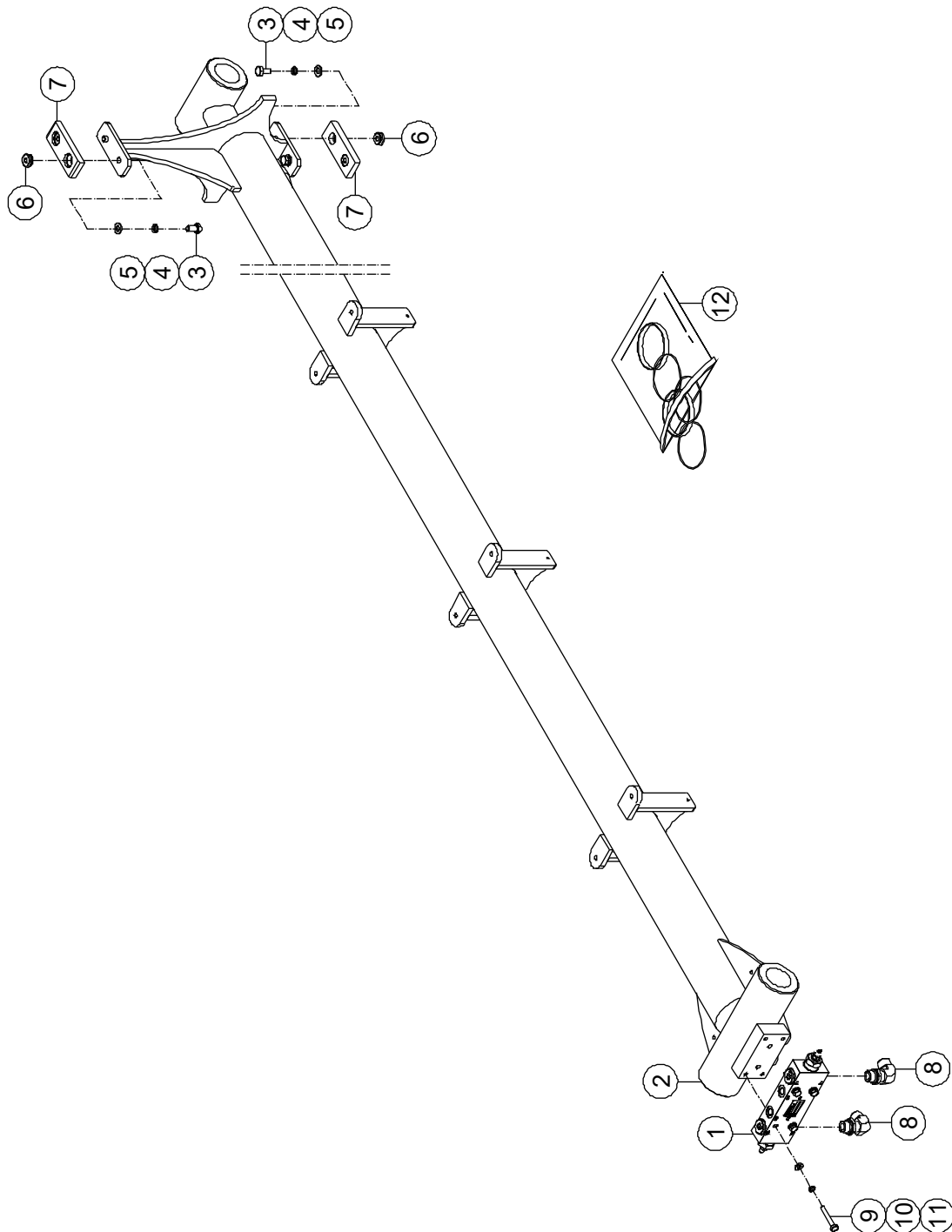
5-3 Tower Lifting Cylinder Assembly



5-3 Tower Lifting Cylinder Assembly

Item	Part Number	Description	Qty.	Remark
1	92051412	Tower Lifting Cylinder Assembly	1	
2	00006728	Bolt GB/T 5782 M8 × 85	1	
3	00000609	Spring Washer GB/T 93 8	1	
4	00000608	Flat Washer GB/T 97.1 8	1	
5	92102190	Valve	1	
6	00001507	Fitting, Straight	2	
7	92052100	Seal Kit 145/85	1	

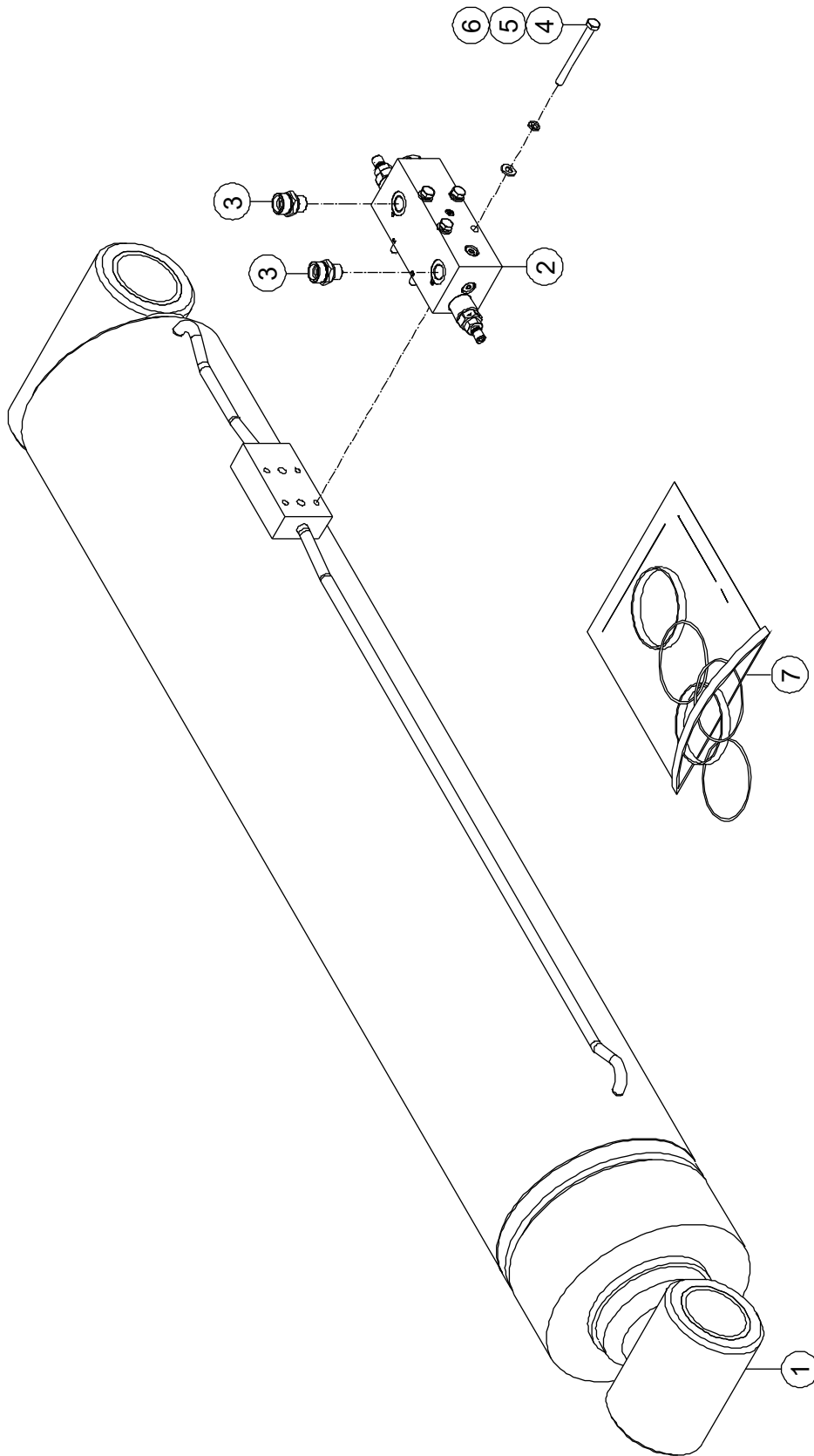
5-4 Tower Telescopic Cylinder Assembly



5-4 Tower Telescopic Cylinder Assembly

Item	Part Number	Description	Qty.	Remark
1	90029888	Valve	1	
2	92051218	Tower Telescopic Cylinder Assembly	1	
3	00000674	Bolt GB/T 5783 M10 × 20	4	
4	00000679	Spring Washer GB/T 93 10	4	
5	00000615	Flat Washer GB/T 97.1 10	4	
6	92000139	Insert	4	
7	92000194	Sliding Block	2	
8	00004947	Fitting, 90°	2	
9	00003607	Bolt GB/T 5783 M8 × 50	4	
10	00000609	Spring Washer GB/T 93 8	4	
11	00000608	Flat Washer GB/T 97.1 8	4	
12	92052110	Seal Kit 85/60	1	

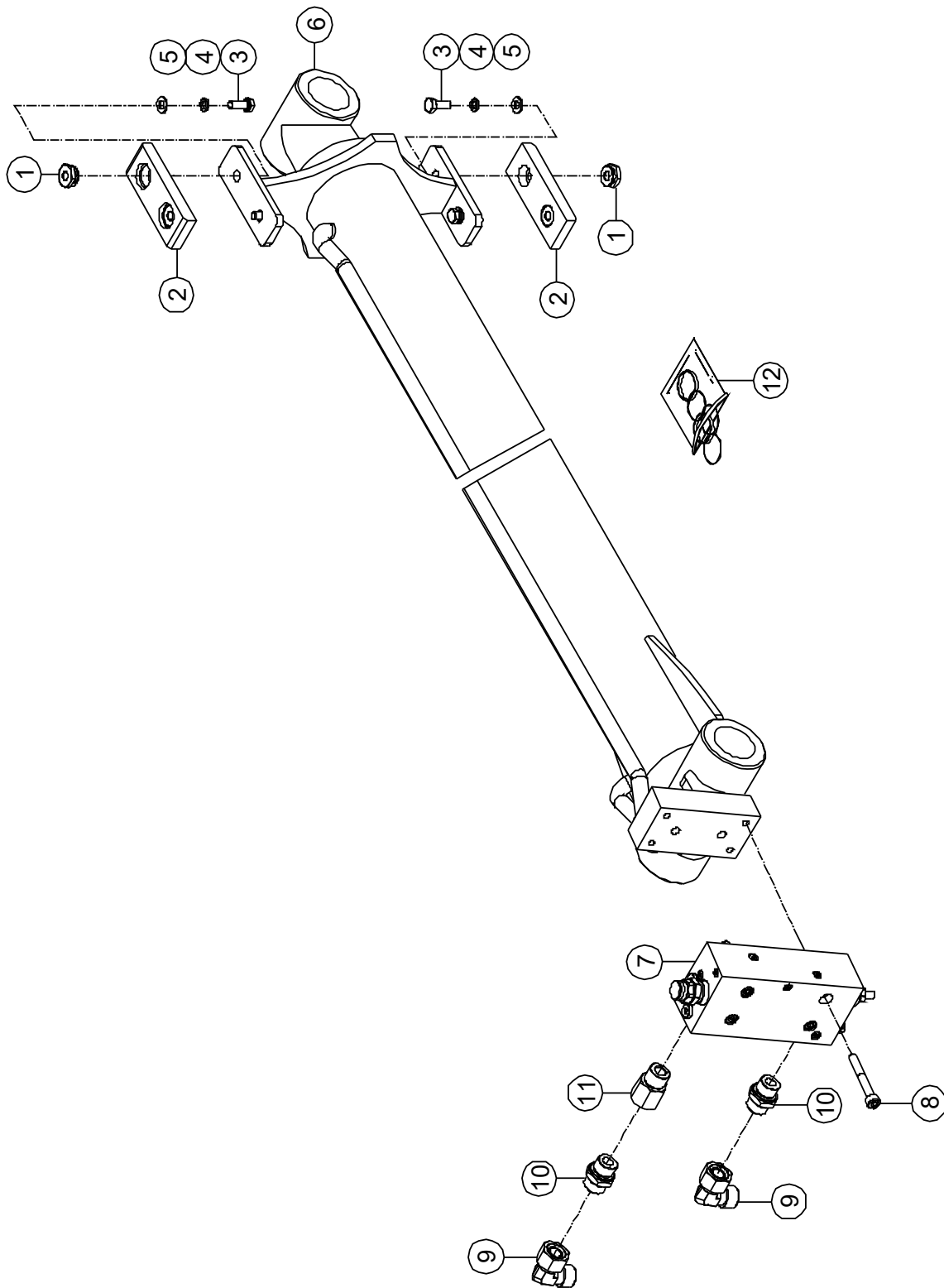
5-5 Main Lifting Cylinder Assembly



5-5 Main Lifting Cylinder Assembly

Item	Part Number	Description	Qty.	Remark
1	92051406	Main Lifting Cylinder Assembly	1	
2	92102189	Valve	1	
3	00001507	Fitting, Straight	2	
4	00006728	Bolt GB/T 5782 M8 × 85	4	
5	00000609	Spring Washer GB/T 93 8	4	
6	00000608	Flat Washer GB/T 97.1 8	4	
7	92052123	Seal Kit 210/130	1	

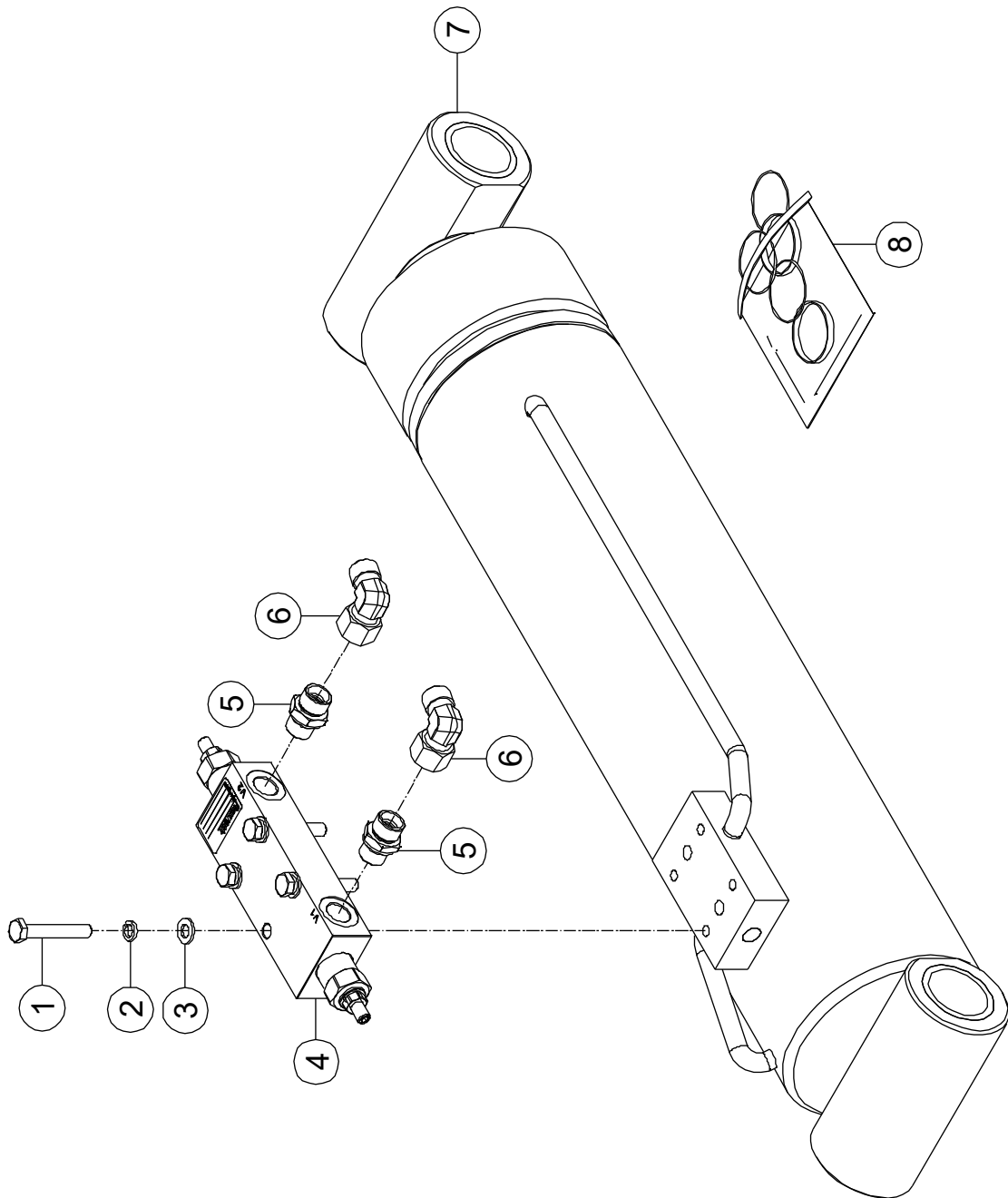
5-6 Main Telescopic Cylinder Assembly



5-6 Main Telescopic Cylinder Assembly

Item	Part Number	Description	Qty.	Remark
1	92000139	Insert	4	
2	92000194	Sliding Block	2	
3	00000674	Bolt GB/T 5783 M10 × 20	4	
4	00000679	Spring Washer GB/T 93 10	4	
5	00000615	Flat Washer GB/T 97.1 10	4	
6	92050909	Main Telescopic Cylinder Assembly	1	BA28ERT BA28BERT
	92051444	Main Telescopic Cylinder Assembly	1	BA24ERT BA24BERT
7	92055442	Valve	1	
8	00006415	Screw GB/T 70 M8 × 60	4	
9	00001835	Fitting, 90°	2	
10	00001506	Fitting, Straight	2	
11	92048606	Fitting, Straight	1	
12	92052134	Seal Kit 85/70	1	

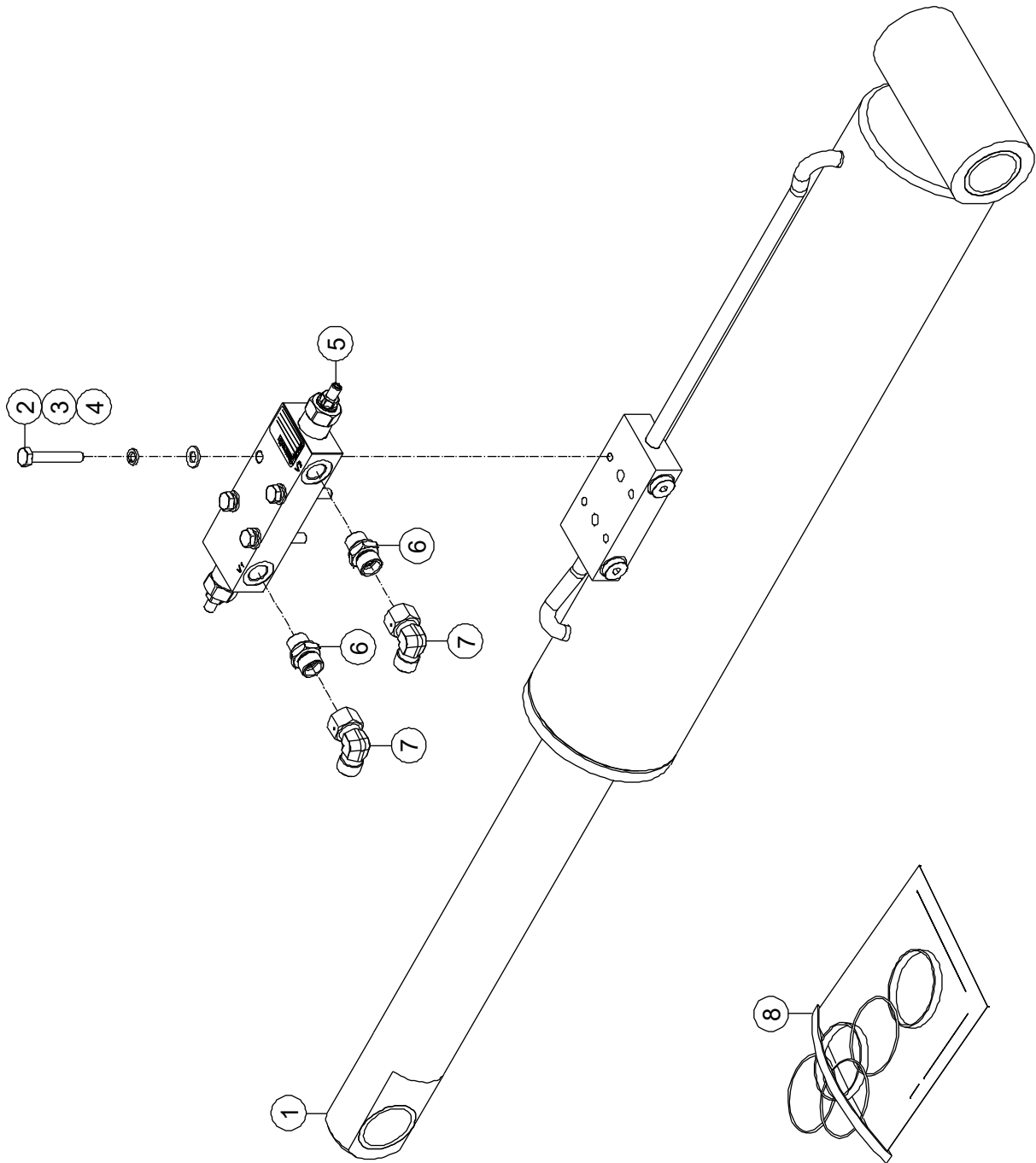
5-7 JIB Leveling Cylinder Assembly (BA28ERT, BA24ERT)



5-7 JIB Leveling Cylinder Assembly (BA28ERT, BA24ERT)

Item	Part Number	Description	Qty.	Remark
1	00003607	Bolt GB/T 5783 M8 × 50	4	
2	00000609	Spring Washer GB/T 93 8	4	
3	00000608	Flat Washer GB/T 97.1 8	4	
4	92000251	Valve	1	
5	00001501	Fitting, Straight	2	
6	00001834	Fitting, 90°	2	
7	92051401	JIB Leveling Cylinder Assembly	1	
8	92052140	Seal Kit 120/80	1	

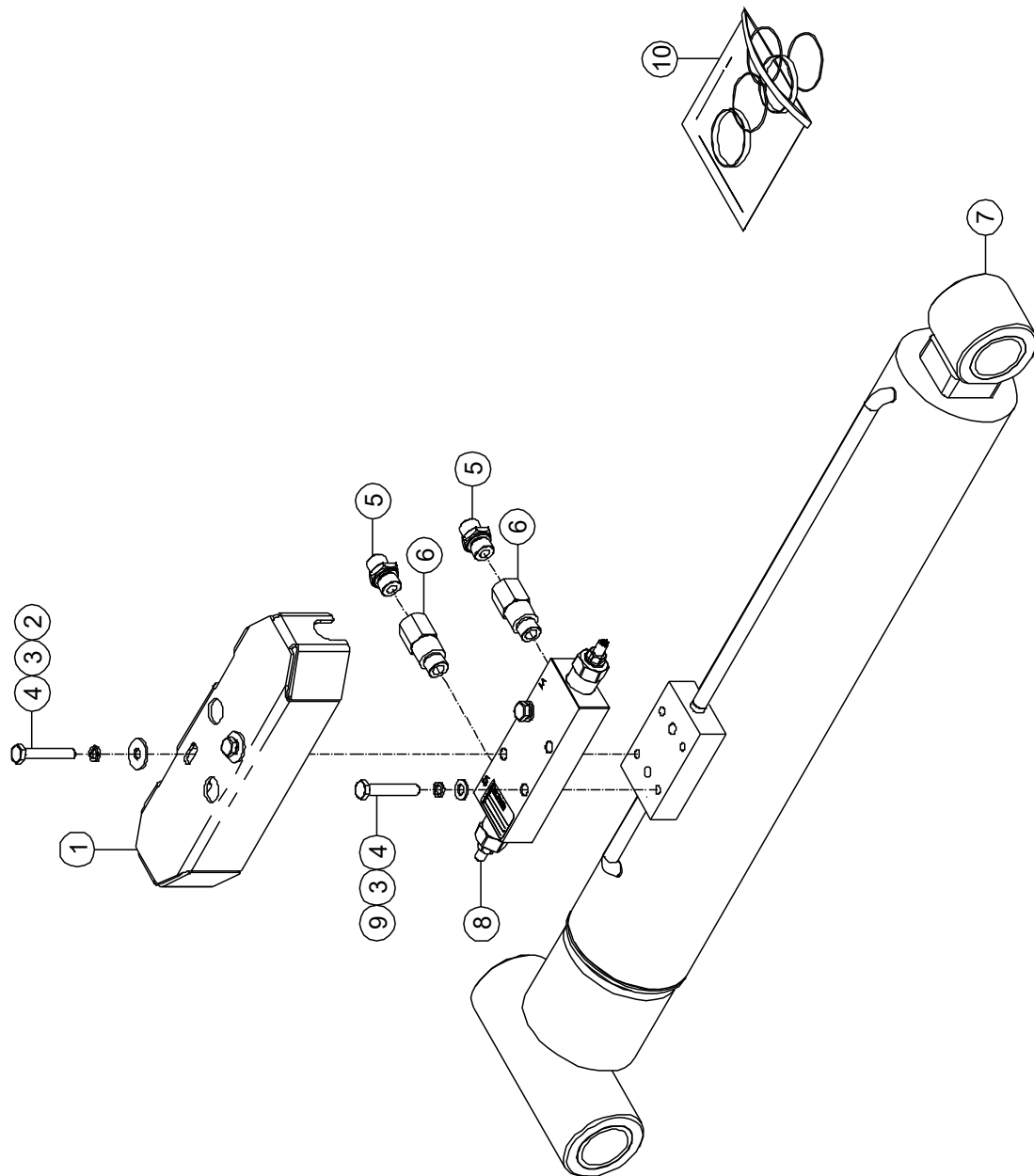
5-8 JIB Leveling Cylinder Assembly (BA28BERT, BA24BERT)



5-8 JIB Leveling Cylinder Assembly (BA28BERT, BA24BERT)

Item	Part Number	Description	Qty.	Remark
1	92102311	JIB Leveling Cylinder Assembly	1	
2	00003607	Bolt GB/T 5783 M8 × 50	4	
3	00000609	Spring Washer GB/T 93 8	4	
4	00000608	Flat Washer GB/T 97.1 8	4	
5	92000252	Valve	1	
6	00001501	Fitting, Straight	2	
7	00001834	Fitting, 90°	2	
8	92101610	Seal Kit 110/63	1	

5-9 JIB Lifting Cylinder Assembly

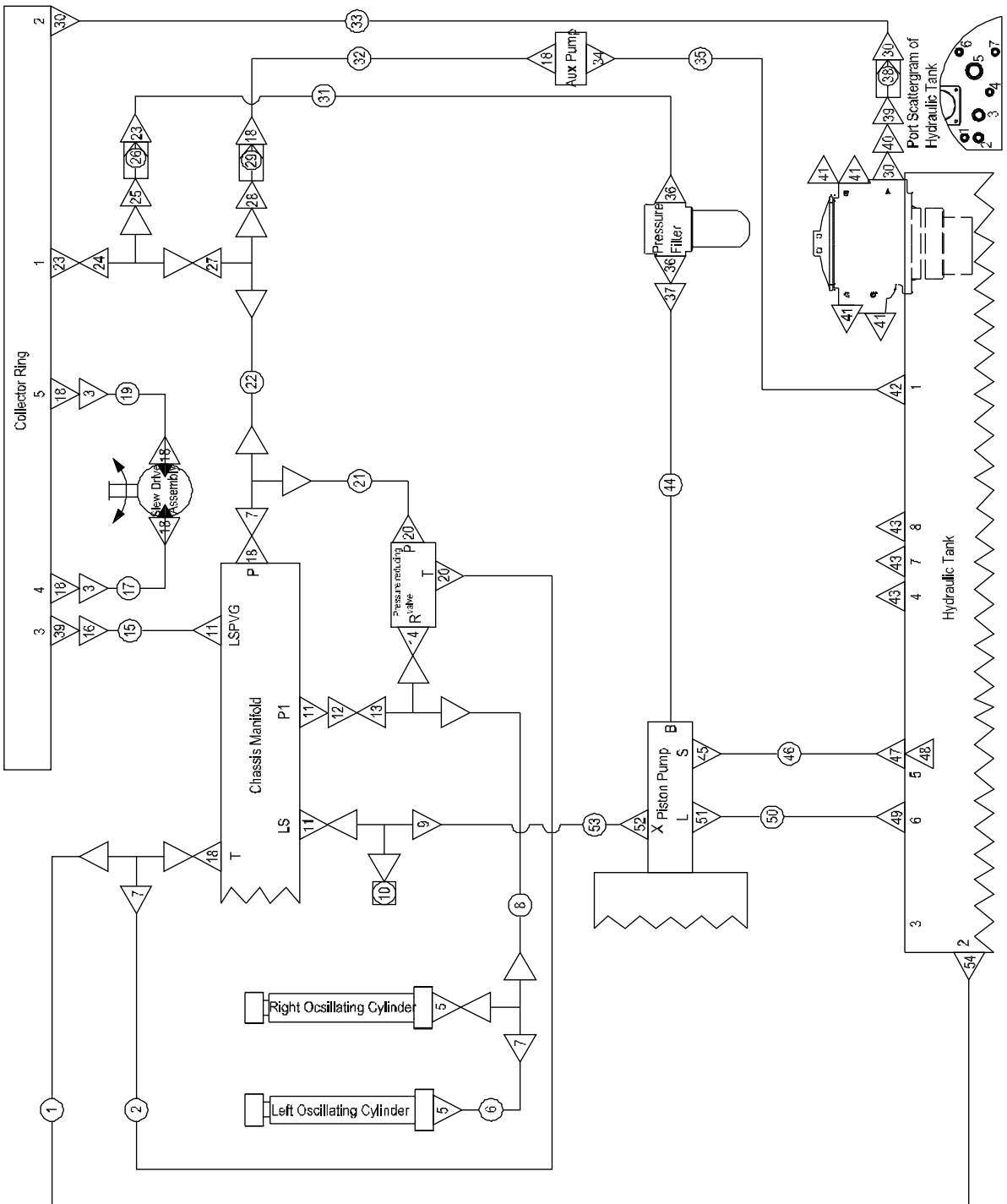


5-9 JIB Lifting Cylinder Assembly

Item	Part Number	Description	Qty.	Remark
1	92049289	Housing	1	
2	00002000	Flat Washer GB/T 96.1 8	2	
3	00000609	Spring Washer GB/T 93 8	4	
4	00003607	Bolt GB/T 5783 M8 × 50	4	
5	00001499	Fitting, Straight	2	
6	92048866	Fitting, Straight	2	
7	92049273	JIB Lifting Cylinder Assembly	1	
8	92049338	Valve	1	
9	00000608	Flat Washer GB/T 97.1 8	2	
10	92051381	Seal Kit 90/50	1	

Section 6 Hydraulic System

6-1 Chassis Circuit 1



LEGEND	
	FITTING
	HOSE
	ASSEMBLY
	TEST
	ADAPTER
	CHECK VALVE
	CLAMP

6-1 Chassis Circuit 1

Item	Part Number	Description	Qty.	Remark
1	92100630	Hose Assembly	1	
2	92100635	Hose Assembly	1	
3	00001834	Fitting, 90°	2	
4				Not used
5	00004922	Fitting, 90°	2	
6	92030383	Hose Assembly	1	
7	00001239	Fitting, Tee	3	
8	92100633	Hose Assembly	1	
9	00001238	Fitting, Tee	1	
10	00006503	Test Adapter	1	
11	00001318	Fitting, Straight	3	
12	00005565	Fitting, Straight	1	
13	00002119	Fitting, Tee	1	
14	00001771	Fitting, Straight	1	
15	92100624	Hose Assembly	1	
16	00001833	Fitting, 90°	1	
17	92100632	Hose Assembly	1	
18	00001501	Fitting, Straight	8	
19	92100631	Hose Assembly	1	
20	00001772	Fitting, Straight	2	
21	92100634	Hose Assembly	1	
22	92100623	Hose Assembly	1	
23	00001747	Fitting, Straight	2	
24	00006457	Fitting, Tee	1	
25	00005631	Fitting, Straight	1	
26	90030355	Check Valve	1	
27	00006455	Fitting, Tee	1	
28	00005628	Fitting, Straight	1	
29	90003092	Check Valve	1	






6-1 Chassis Circuit 1 (Continued)

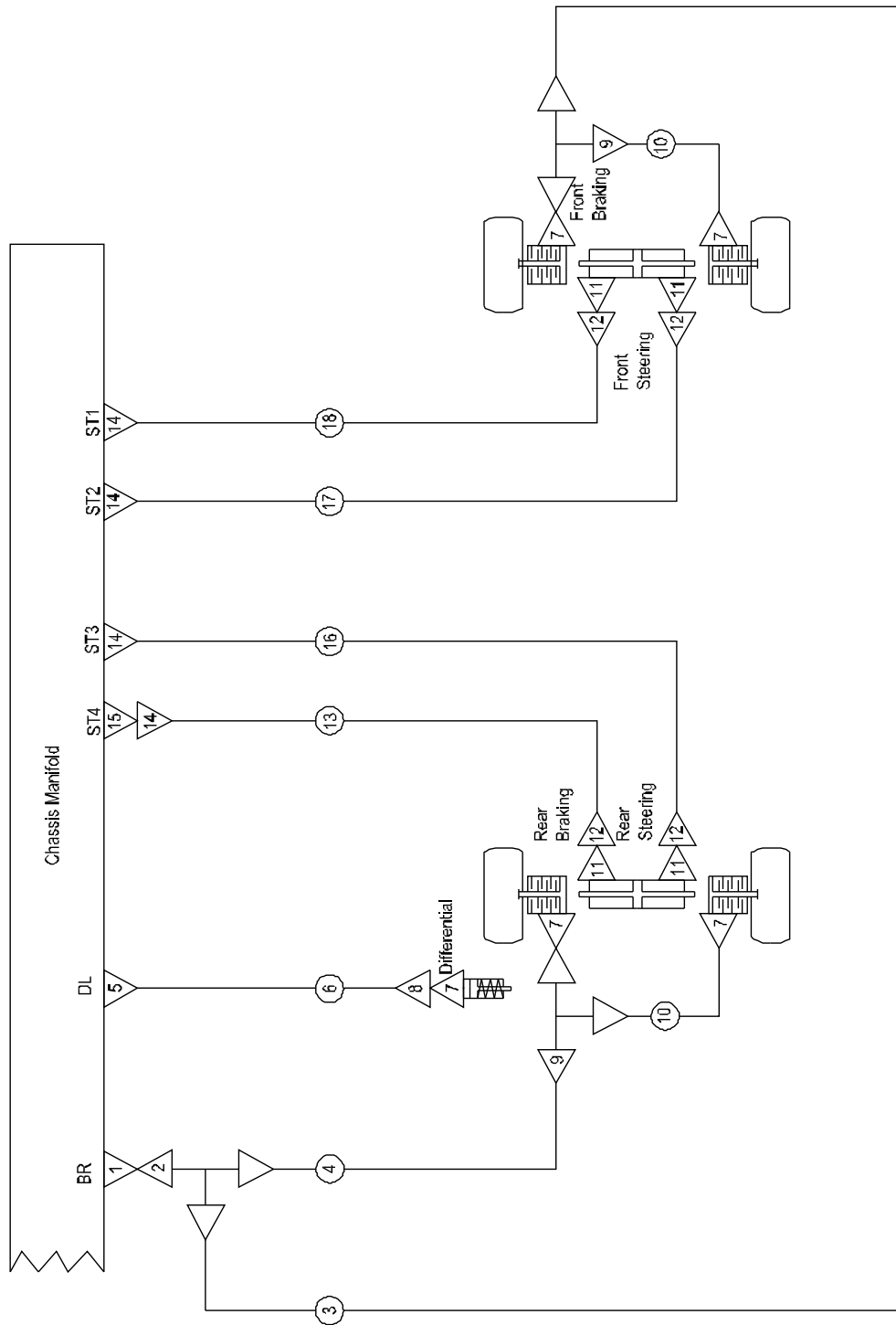
Item	Part Number	Description	Qty.	Remark
30	00001729	Fitting, Straight	2	
31	92100058	Hose Assembly	1	
32	92100628	Hose Assembly	1	
33	92048935	Hose Assembly	1	
34	00001507	Fitting, Straight	1	
35	92100627	Hose Assembly	1	
36	00003963	Fitting, Straight	2	
37	00001842	Fitting, 90°	1	
38	92010235	Check Valve	1	
39	00005620	Fitting, Straight	1	
40	00003969	Fitting, 90°	1	
41	00001116	Plug	4	
42	00001506	Fitting, Straight	1	
43	00001114	Plug	3	
44	92100626	Hose Assembly	1	
--	90003625	SAE Flange FittingFL-12	1	
--	92048924	OR Gasket	1	
--	00000615	Flat Washer GB/T 97.1 10	4	
--	00000679	Spring Washer GB/T 93 10	4	
--	00000683	Bolt GB/T 5783 M10 × 30	4	
45	00007155	Flange Fitting	1	
--	00000615	Flat Washer GB/T 97.1 10	4	
--	00000679	Spring Washer GB/T 93 10	4	
--	00000683	Bolt GB/T 5783 M10 × 30	4	
46	92100617	Hose Assembly	1	
47	00001731	Fitting, Straight	1	
48	90029476	WU Filter	1	
49	00001504	Fitting, Straight	1	
50	92100629	Hose Assembly	1	

6-1 Chassis Circuit 1 (Continued)

Item	Part Number	Description	Qty.	Remark
51	00001773	Fitting, Straight	1	Standard
	00001263	Fitting, Straight	1	Optional
52	00001770	Fitting, Straight	1	
53	92100625	Hose Assembly	1	
54	00001505	Fitting, Straight	1	

6-2 Chassis Circuit 2

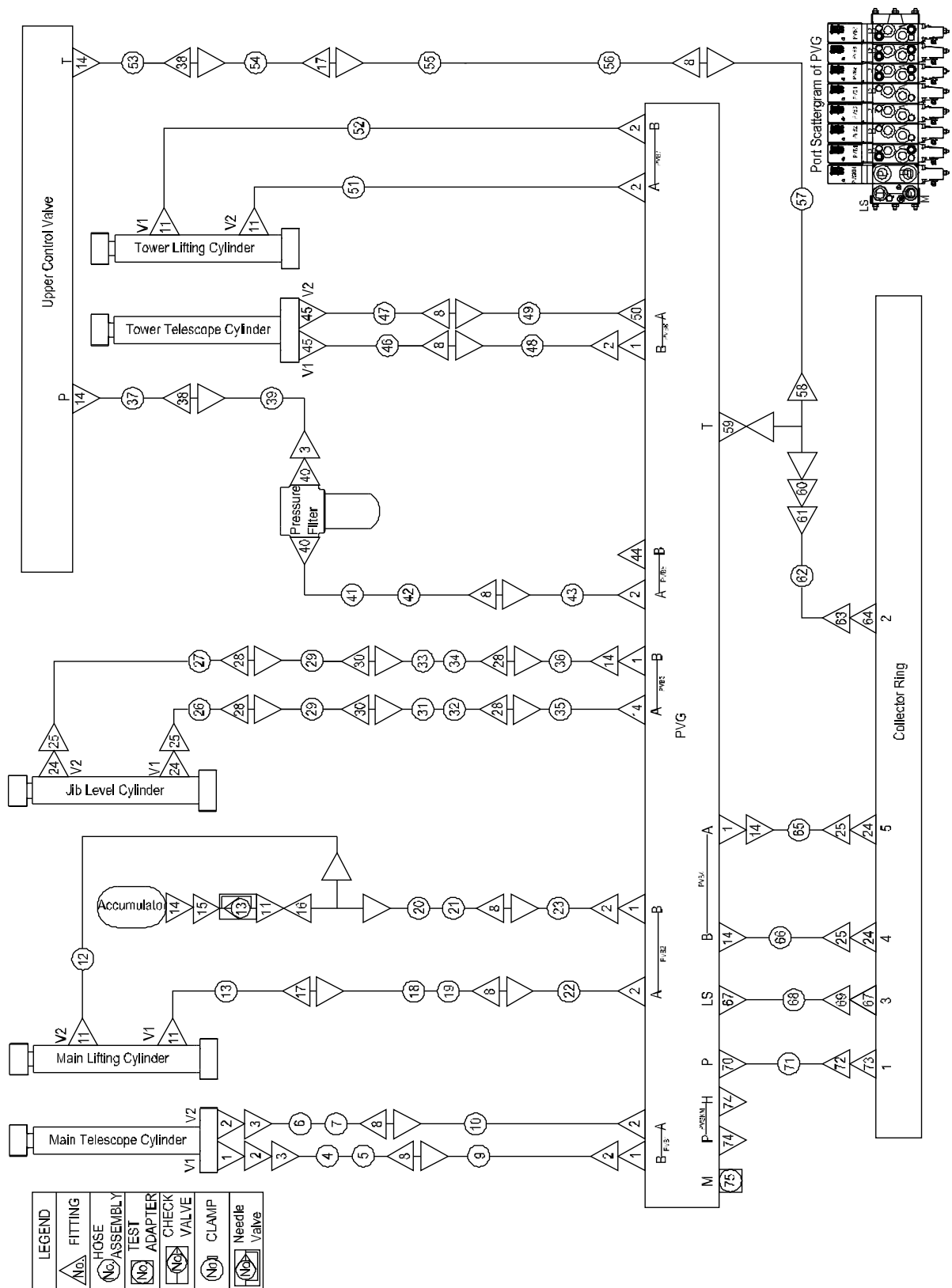
LEGEND
 FITTING
 HOSE ASSEMBLY
 TEST ADAPTER
 CHECK VALVE
 CLAMP



6-2 Chassis Circuit 2

Item	Part Number	Description	Qty.	Remark
1	00009136	Customized Fitting	1	
2	00001238	Fitting, Tee	1	
3	92100620	Hose Assembly	1	
4	92100619	Hose Assembly	1	
5	00001318	Fitting, Straight	1	
6	92100618	Hose Assembly	1	
7	00006461	Fitting, Straight	5	
8	00001833	Fitting, 90°	1	
9	00002119	Fitting, Tee	2	
10	92048876	Hose Assembly	2	
11	00001262	Fitting, Straight	4	
12	00001834	Fitting, 90°	4	
13	92100621	Hose Assembly	1	
14	00001501	Fitting, Straight	4	
15	92048866	Customized Fitting	1	
16	92100622	Hose Assembly	1	
17	92048898	Hose Assembly	1	
18	92048910	Hose Assembly	1	

6-3 Turntable Circuit



6-3 Turntable Circuit

Item	Part Number	Description	Qty.	Remark
1	92048606	Customized Fitting	5	
2	00001506	Fitting, Straight	10	
3	00001835	Fitting, 90°	3	
4	92052599	Hose Assembly	1	
5	92051330	Tube	1	
6	92051355	Hose Assembly	1	
7	92051331	Tube	1	
8	00002145	Fitting, Bulkhead, Straight	7	
9	92051344	Hose Assembly	1	
10	92051341	Hose Assembly	1	
11	00001507	Fitting, Straight	6	
12	92051361	Hose Assembly	1	
13	92051360	Hose Assembly	1	
14	00001504	Fitting, Straight	8	
15	00003088	Fitting, Straight	1	
16	00001240	Fitting, Tee	1	
17	00003870	Fitting, Bulkhead, 90°	2	
18	92051354	Hose Assembly	1	
19	92051336	Tube	1	
20	92052601	Hose Assembly	1	
21	92051337	Tube	1	
22	92051342	Hose Assembly	1	
23	92051347	Hose Assembly	1	
24	00001501	Fitting, Straight	4	
25	00001834	Fitting, 90°	4	
26	92100120	Hose Assembly	1	
27	92100121	Hose Assembly	1	
28	00002137	Fitting, Bulkhead, Straight	4	

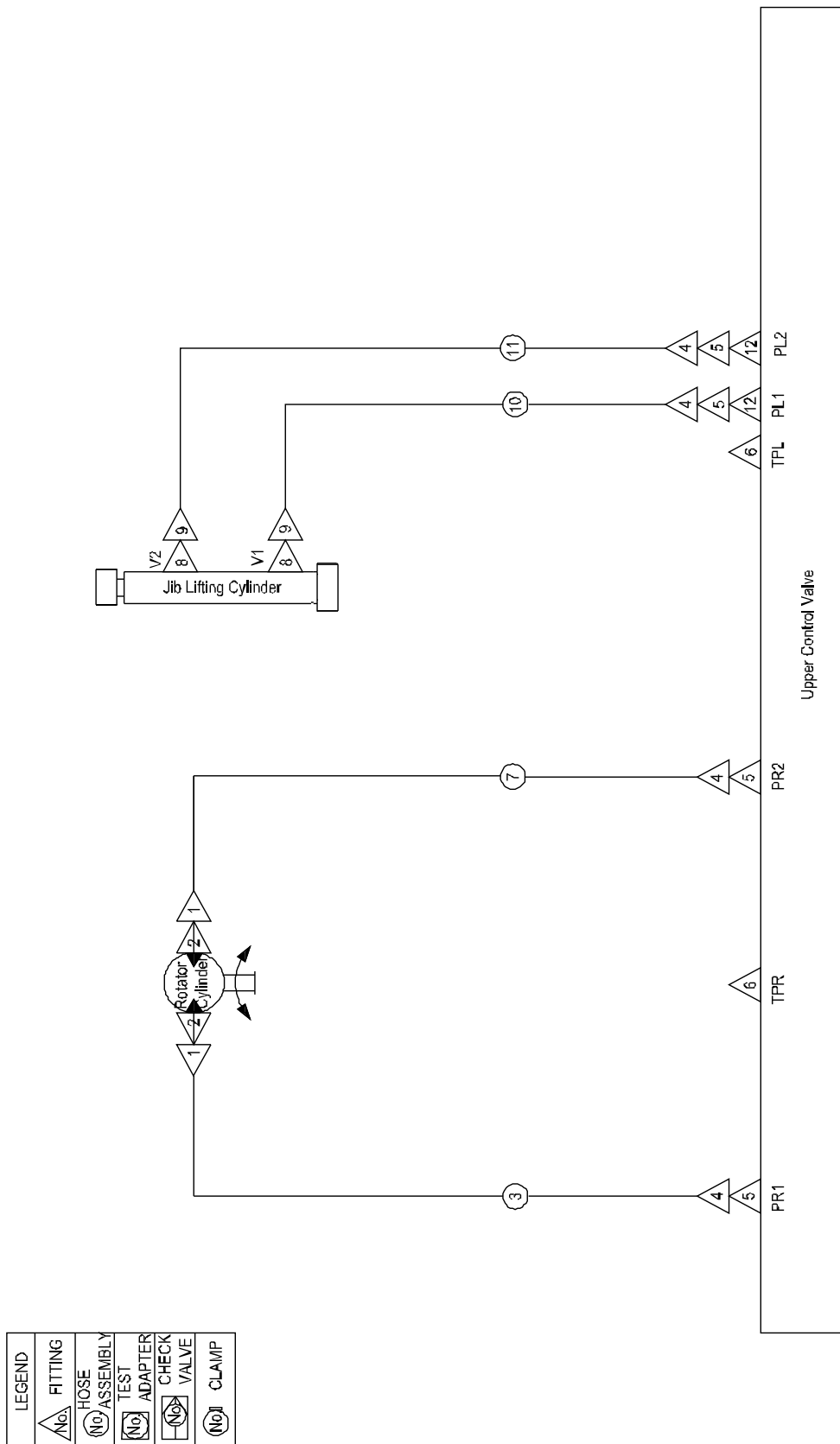
6-3 Turntable Circuit (Continued)

Item	Part Number	Description	Qty.	Remark
29	92051367	Hose Assembly	2	BA28ERT BA28BERT
	92051373	Hose Assembly	2	BA24ERT BA24BERT
30	00003869	Fitting, Bulkhead, 90°	2	
31	92051352	Hose Assembly	1	
32	92051332	Tube	1	
33	92051353	Hose Assembly	1	
34	92051333	Tube	1	
35	92051340	Hose Assembly	1	
36	92051345	Hose Assembly	1	
37	92048942	Hose Assembly	1	BA28ERT BA24ERT
	92102306	Hose Assembly	1	BA28BERT BA24BERT
38	00002138	Fitting, Bulkhead, Straight	2	
39	92051368	Hose Assembly	1	BA28ERT BA28BERT
	92051374	Hose Assembly	1	BA24ERT BA24BERT
40	00002069	Fitting, Straight	2	
41	92051351	Hose Assembly	1	
42	92051334	Tube	1	
43	92051346	Hose Assembly	1	
44	00001114	Plug	1	
45	00004947	Fitting, 90°	2	
46	92051339	Tube	1	
47	92051338	Tube	1	
48	92051348	Hose Assembly	1	
49	92051343	Hose Assembly	1	
50	00004919	Fitting, 90°	1	
51	92051328	Hose Assembly	1	

6-3 Turntable Circuit (Continued)

Item	Part Number	Description	Qty.	Remark
52	92051329	Hose Assembly	1	
53	92048940	Hose Assembly	1	BA28ERT BA24ERT
	92102307	Hose Assembly	1	BA28BERT BA24BERT
54	92100119	Hose Assembly	1	BA28ERT BA28BERT
	92100122	Hose Assembly	1	BA24ERT BA24BERT
55	92051357	Hose Assembly	1	
56	92051335	Tube	1	
57	92051350	Hose Assembly	1	
58	92051362	Tube	1	
59	00001727	Fitting, Straight	1	
60	00001509	Fitting, Straight	1	
61	00006447	Fitting, 90°	1	
62	92051323	Hose Assembly	1	
63	00001837	Fitting, 90°	1	
64	00001728	Fitting, Straight	1	
65	92051327	Hose Assembly	1	
66	92051326	Hose Assembly	1	
67	00001318	Fitting, Straight	2	
68	92051325	Hose Assembly	1	
69	00001833	Fitting, 90°	1	
70	00004946	Fitting, 90°	1	
71	92051324	Hose Assembly	1	
72	00001842	Fitting, 90°	1	
73	00001747	Fitting, Straight	1	
74	00001115	Plug	2	
75	00006505	Test Adapter	1	

6-4 JIB Circuit

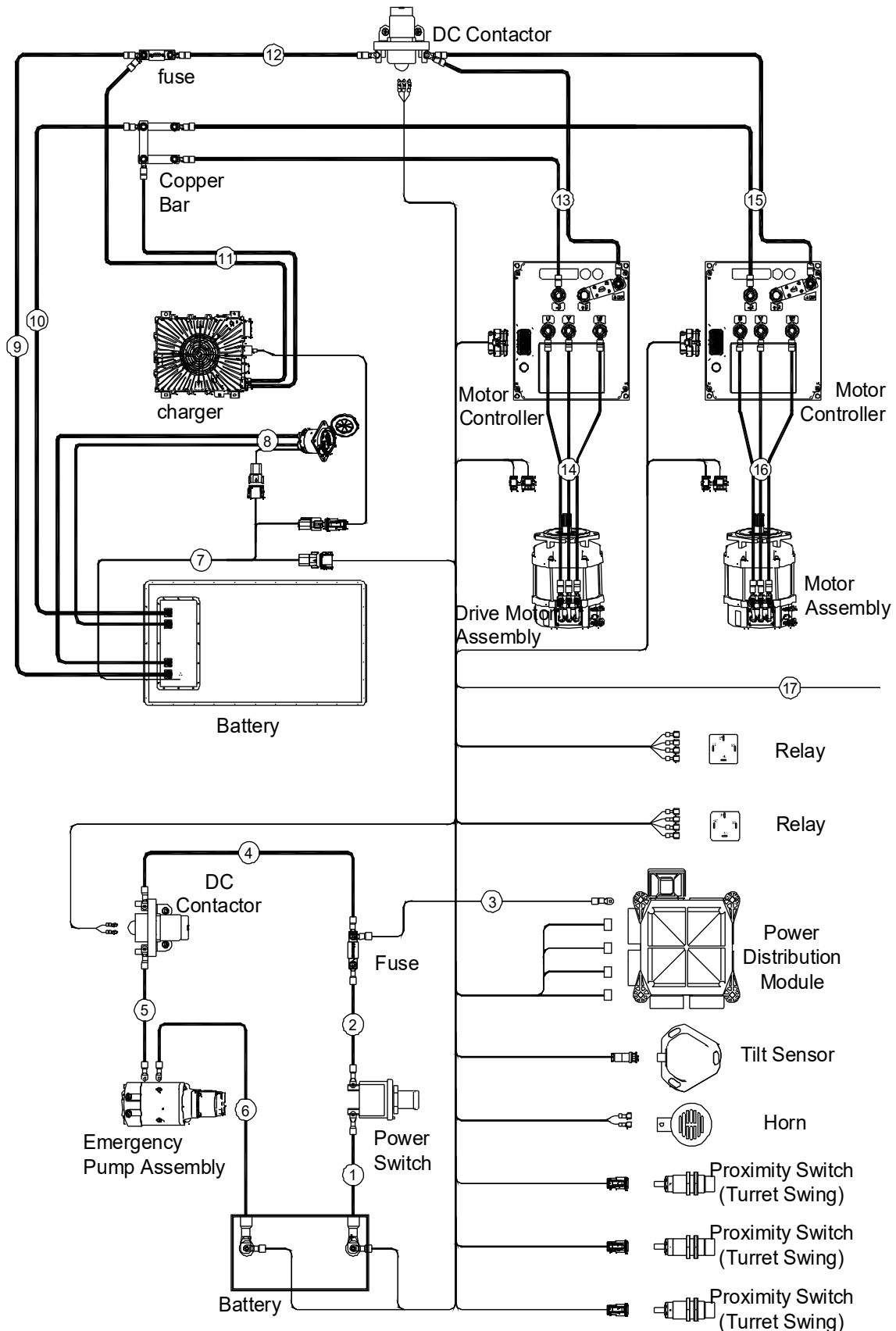


6-4 JIB Circuit

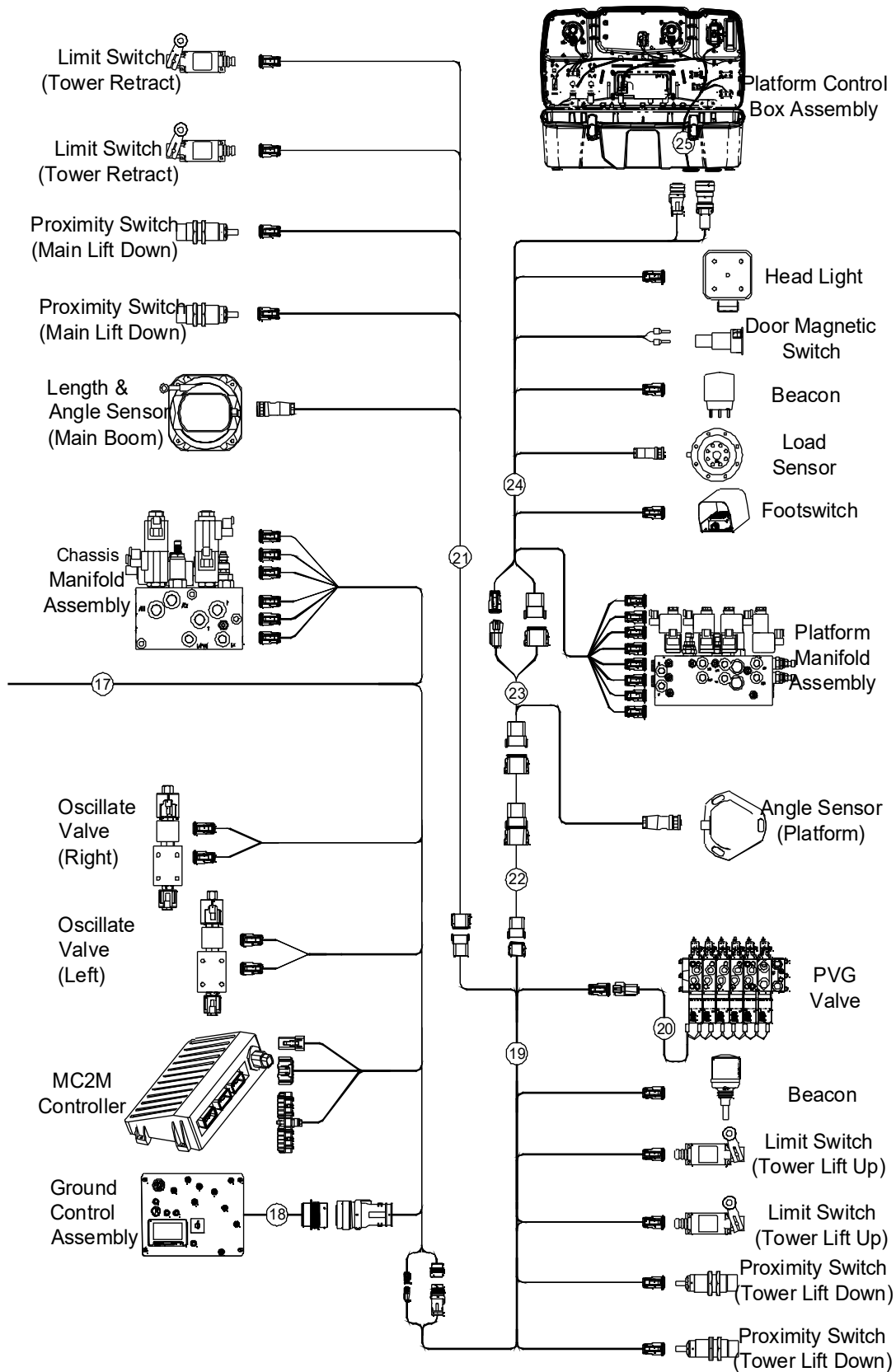
Item	Part Number	Description	Qty.	Remark
1	00001833	Fitting, 90°	2	
2	00001770	Fitting, Straight	2	
3	92048957	Hose Assembly	1	
4	00001833	Fitting, 90°	4	
5	00001318	Fitting, Straight	4	
6	00001111	Plug	2	
7	92048953	Hose Assembly	1	
8	92048866	Customized Fitting	2	
9	00001499	Fitting, Straight	2	
10	92048951	Hose Assembly	1	
11	92048946	Hose Assembly	1	
12	92048451	Customized Fitting	2	

Section 7 Electrical System

7-1 Electrical Harness - COBO Controller



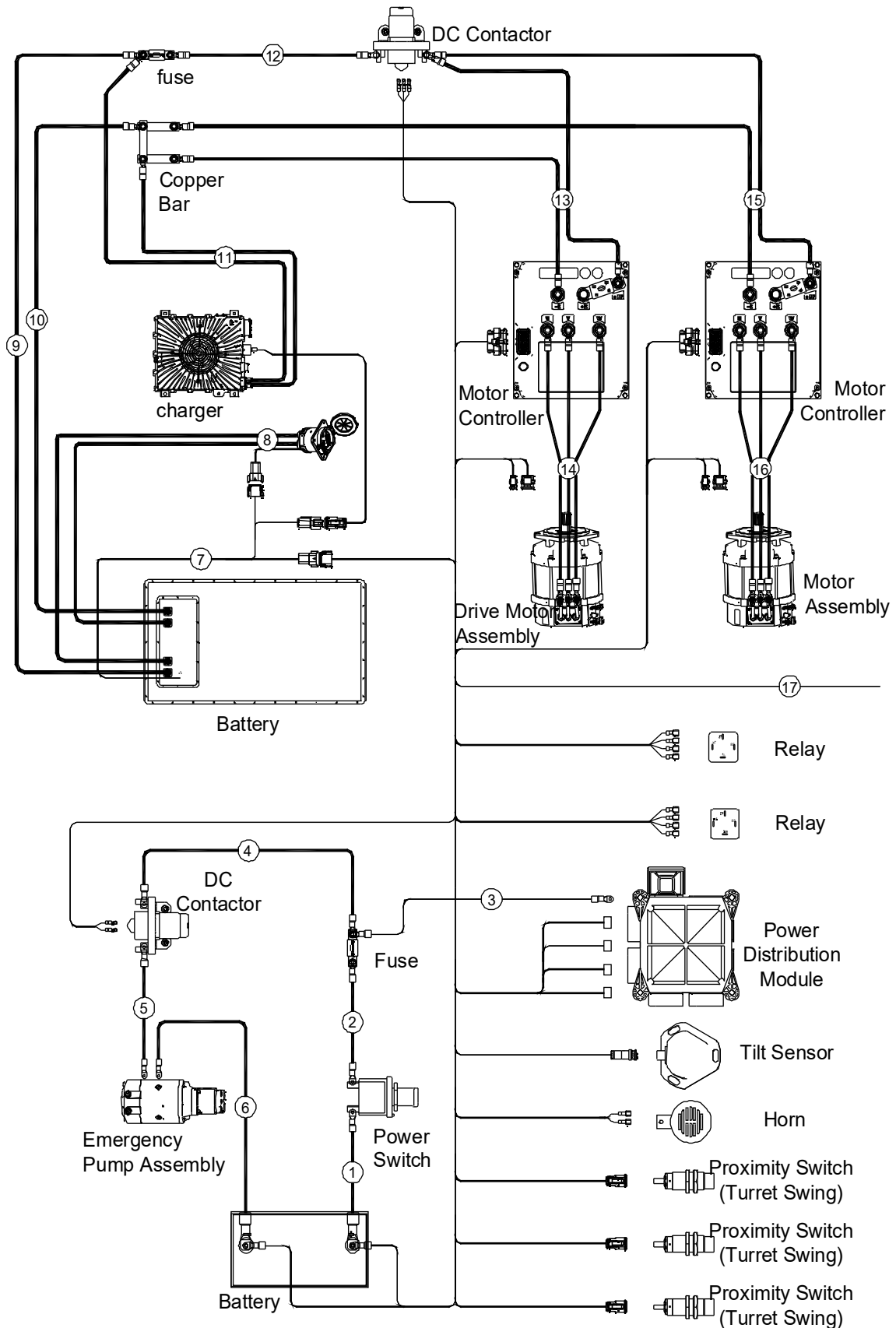
7-1 Electrical Harness - COBO Controller (Continued)



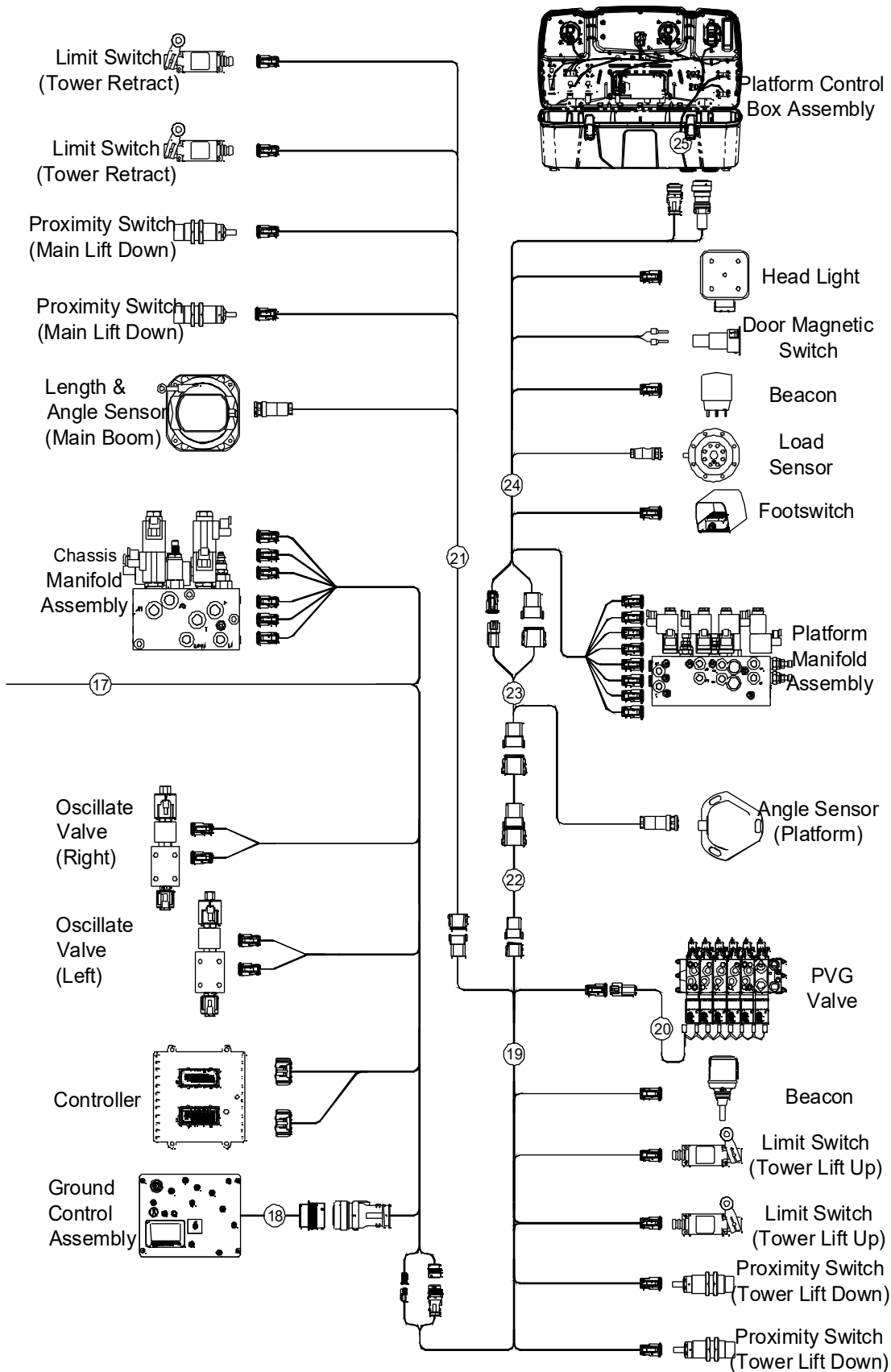
7-1 Electrical Harness - COBO Controller

Item	Part Number	Description	Qty.	Remark
1	00007165	Battery Positive Harness	1	
2	00007166	Fuse Harness 2	1	
3	00007168	Fuse Box Power Harness	1	
4	00007167	DC Contactor Harness 2	1	
5	00007169	Emergency Pump Positive Harness	1	
6	00007170	Emergency Pump Negative Harness	1	
7	00007003	BMS Harness	1	
8	00007360	Fast Charge Harness	1	Optional
9	00007159	Fuse Harness 1	1	
10	00007025	Battery Negative Harness	1	
11	00007002	Charge Harness	1	
12	00007160	DC Contactor Harness 1	1	
13	00007162	Drive Controller Positive Harness	1	
14	00007164	Drive Motor Harness	1	
15	00007161	Pump Controller Positive Harness	1	
16	00007163	Pump Motor Harness	1	
17	00008124	Chassis Harness	1	
18	00005340	Ground Control Plane Harness	1	
19	00008339	Turret Harness	1	
20	00008113	PVG-1939 CANBUS Resistance	1	Standard
	00008114	PVG-1939 Harness	7	
	00008115	PVG-1939 Power Harness	1	
	92019121	PVG Valve Harness	1	Optional
21	00008340	Sensor Harness	1	
22	00005362	Main Boom Harness	1	BA28ERT
	00005363	Main Boom Harness	1	BA24ERT
23	00005360	Jib Harness	1	
24	00005341	Platform Harness	1	
25	00005339	Platform Control Box Harness	1	

7-2 Electrical Harness - Parker Controller



7-2 Electrical Harness - Parker Controller (Continued)



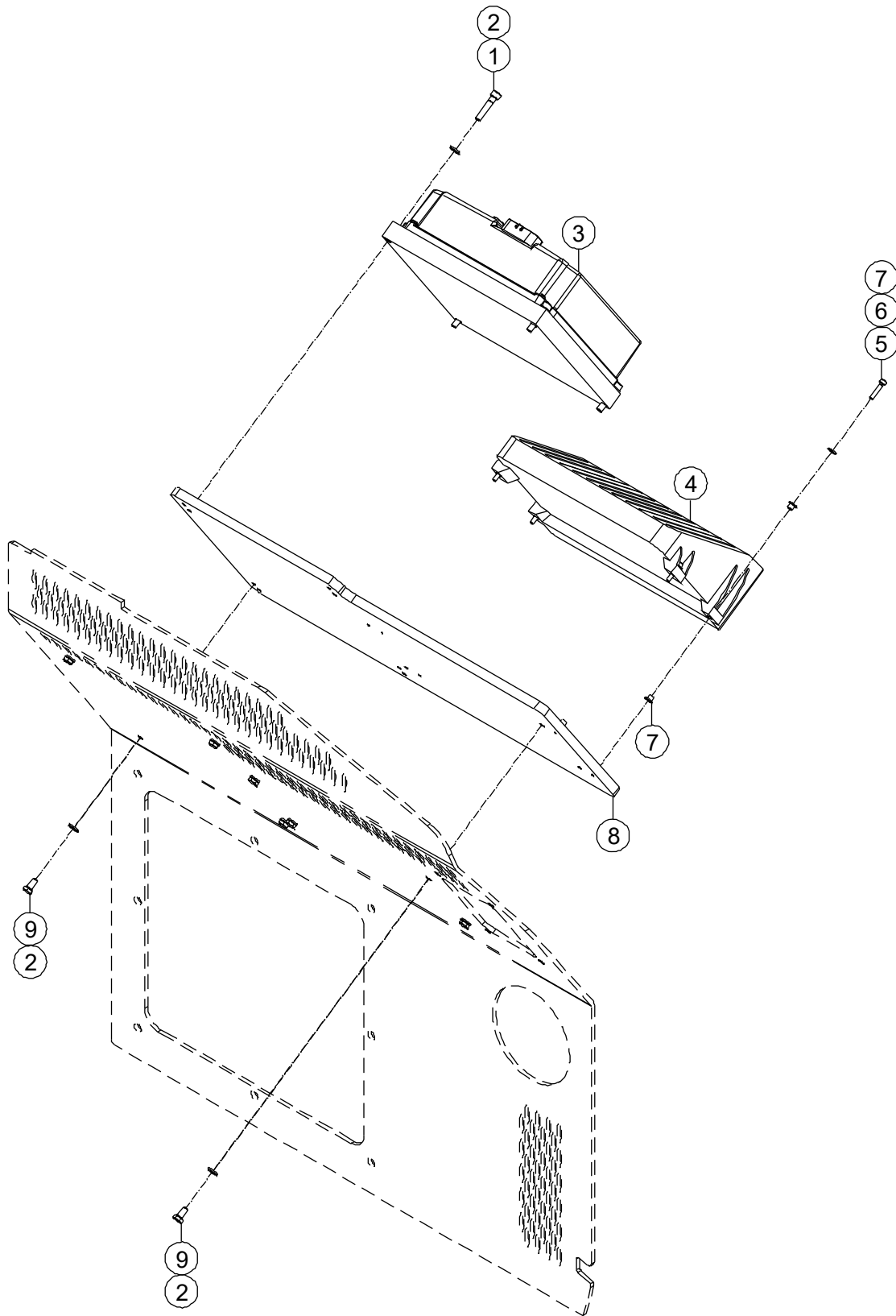
7-2 Electrical Harness - Parker Controller

Item	Part Number	Description	Qty.	Remark
1	00007165	Battery Positive Harness	1	
2	00007166	Fuse Harness 2	1	
3	00007168	Fuse Box Power Harness	1	
4	00007167	DC Contactor Harness 2	1	
5	00007169	Emergency Pump Positive Harness	1	
6	00007170	Emergency Pump Negative Harness	1	
7	00007003	BMS Harness	1	
8	00007360	Fast Charge Harness	1	Optional
9	00007159	Fuse Harness 1	1	
10	00007025	Battery Negative Harness	1	
11	00007002	Charge Harness	1	
12	00007160	DC Contactor Harness 1	1	
13	00007162	Drive Controller Positive Harness	1	
14	00007164	Drive Motor Harness	1	
15	00007161	Pump Controller Positive Harness	1	
16	00007163	Pump Motor Harness	1	
17	00008641	Chassis Harness	1	
18	00008555	Ground Control Plane Harness	1	
19	00008556	Turret Harness	1	
20	00008113	PVG-1939 CANBUS Resistance	1	Standard
	00008114	PVG-1939 Harness	7	
	00008115	PVG-1939 Power Harness	1	
	92019121	PVG Valve Harness	1	Optional
21	00008340	Sensor Harness	1	
22	00005362	Main Boom Harness	1	BA28ERT BA28BERT
	00005363	Main Boom Harness	1	BA24ERT BA24BERT
23	00005360	Jib Harness	1	
24	00008553	Platform Harness	1	

7-2 Electrical Harness - Parker Controller (Continued)

Item	Part Number	Description	Qty.	Remark
25	00008554	Platform Control Box Harness	1	

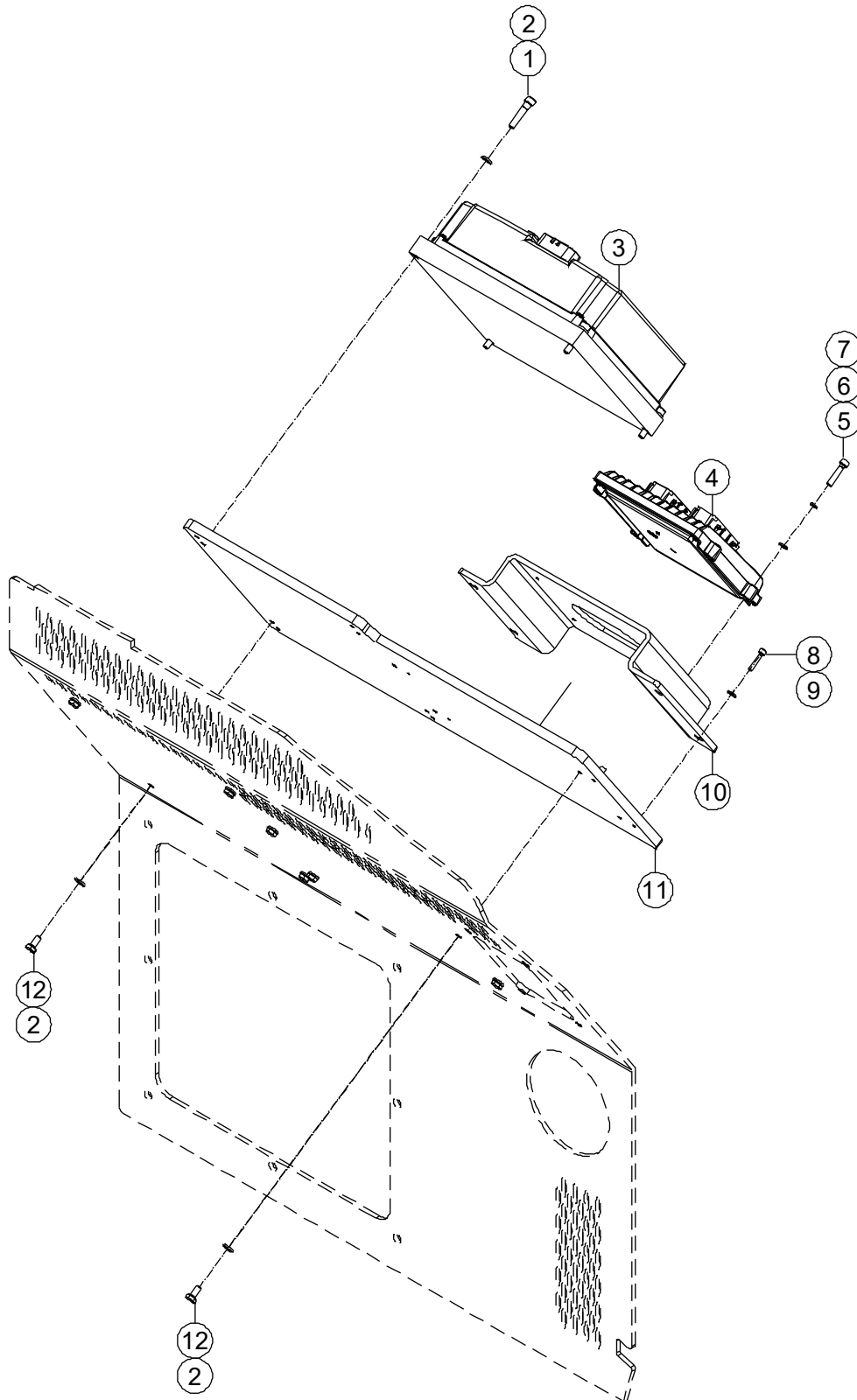
7-3 Controller Assembly - COBO Controller



7-3 Controller Assembly - COBO Controller

Item	Part Number	Description	Qty.	Remark
1	00001042	Screw GB/T 70 M6 × 30	4	
2	00000620	Flat Washer GB/T 97.1 6	12	
3	92100569	Pump Controller	1	
4	00000639	MC2M Controller	1	
--	85000038	MC2M Controller (CANOPEN PVG Valve)	1	BA24ERT
--	85000039	MC2M Controller (CANOPEN PVG Valve)	1	BA28ERT
--	85000049	MC2M Controller (J1939 PVG Valve)	1	BA24ERT
--	85000050	MC2M Controller (J1939 PVG Valve)	1	BA28ERT
5	00002064	Screw GB/T 70 M4 × 20	4	
6	00000605	Flat Washer GB/T 97.1 5	4	
7	00007231	Insulation Gasket	8	
8	92100586	Plate	1	
9	00000745	Bolt GB/T 5783 M6 × 12	8	

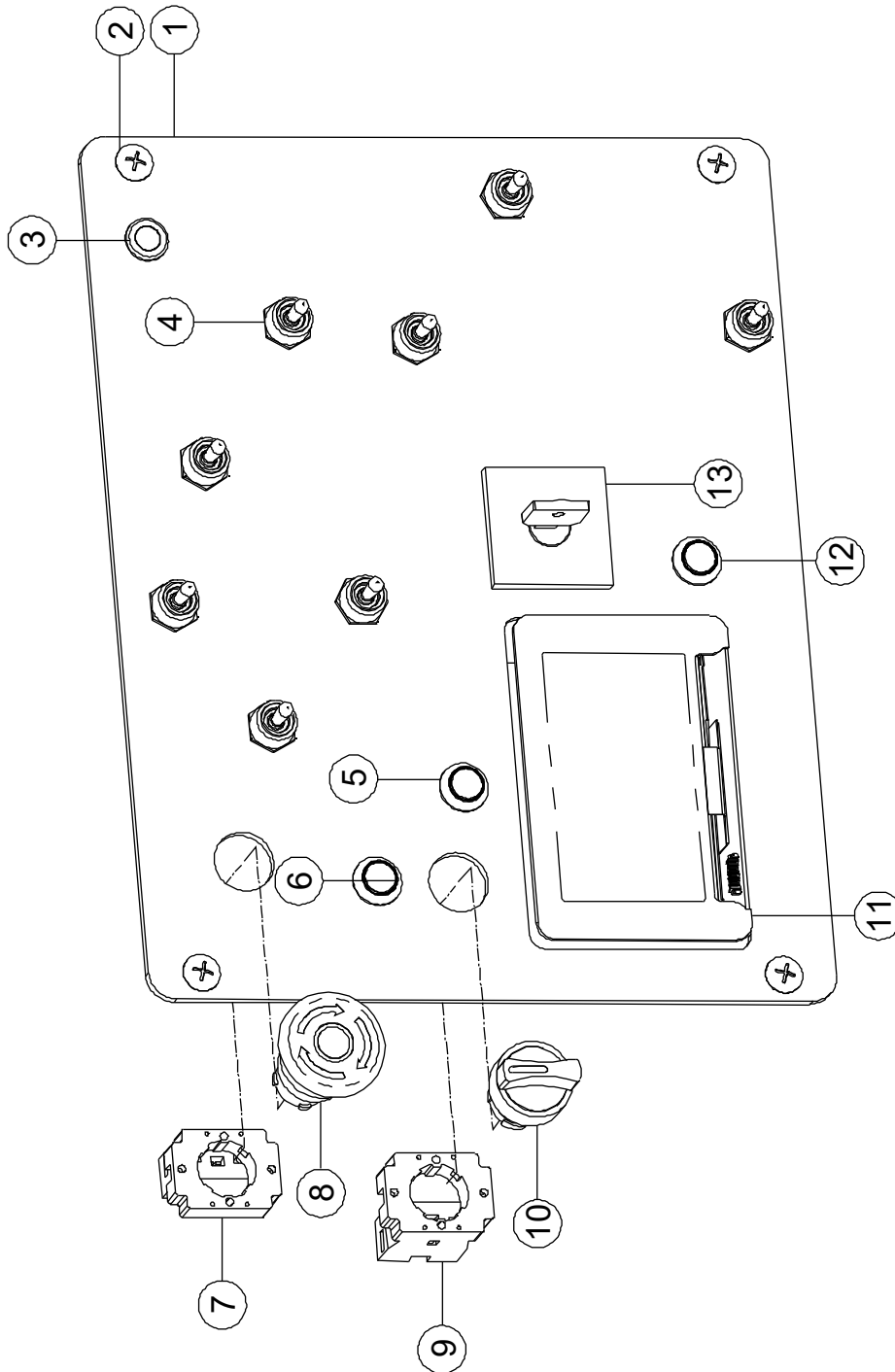
7-4 Controller Assembly - Parker Controller



7-4 Controller Assembly - Parker Controller

Item	Part Number	Description	Qty.	Remark
1	00001042	Screw GB/T 70 M6 × 30	4	
2	00000620	Flat Washer GB/T 97.1 6	12	
3	92100569	Pump Controller	1	
4	00008699	Controller	1	
--	85000092	Controller (J1939 PVG Valve)	1	BA24ERT
--	85000093	Controller (J1939 PVG Valve)	1	BA28ERT
--	85000150	Controller (J1939 PVG Valve)	1	BA24BERT
--	85000151	Controller (J1939 PVG Valve)	1	BA28BERT
5	00000605	Flat Washer GB/T 97.1 5	8	
6	00000606	Spring Washer GB/T 93 5	4	
7	00002484	Screw GB/T 70 M5 × 25	4	
8	00002064	Screw GB/T 70 M4 × 20	4	
9	92101205	Support, controller	1	
10	92100586	Plate	1	
11	00000745	Bolt GB/T 5783 M6 × 12	8	

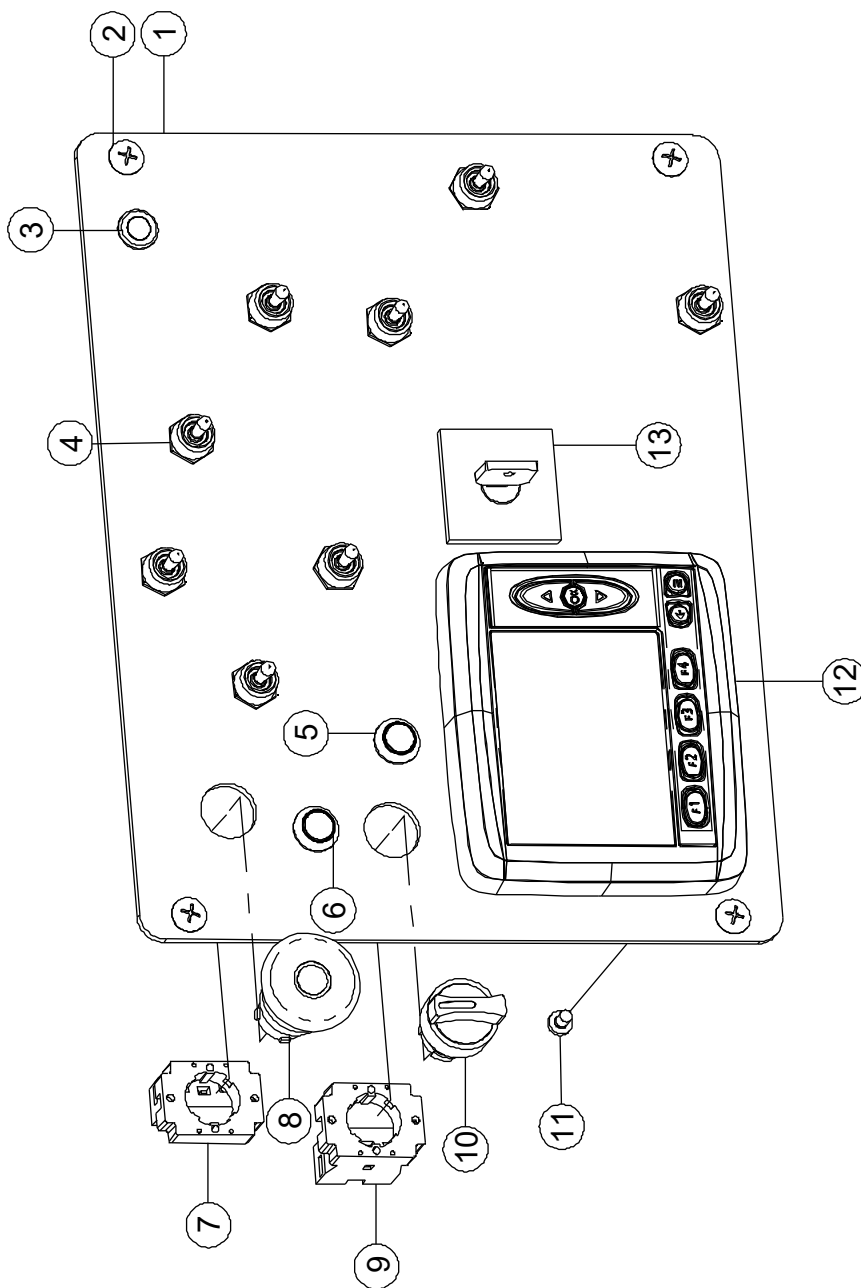
7-5 Ground Control Panel Assembly - COBO Controller



7-5 Ground Control Panel Assembly - COBO Controller

Item	Part Number	Description	Qty.	Remark
1	92051494	Panel	1	
2	00001018	Screw GB/T 973 M6×14	4	
3	00003162	Indicator, Red	1	
4	00006135	Switch, Toggle	8	
5	00006154	Push Button, Red	1	
6	00006137	Push Button, Red	1	
7	00000752	Base With 1 NC Contact	1	
8	00000754	Red Mushroom Head	1	
9	00002346	Base With 1 NO Contact	1	
10	00002566	Select Switch Head	1	
11	00002914	Display	1	
--	85000067	Display (CANOPEN PVG Valve)	1	
--	85000068	Display (J1939 PVG Valve)	1	
12	00006139	Push Button, Yellow	1	
13	00006133	Key Switch	1	

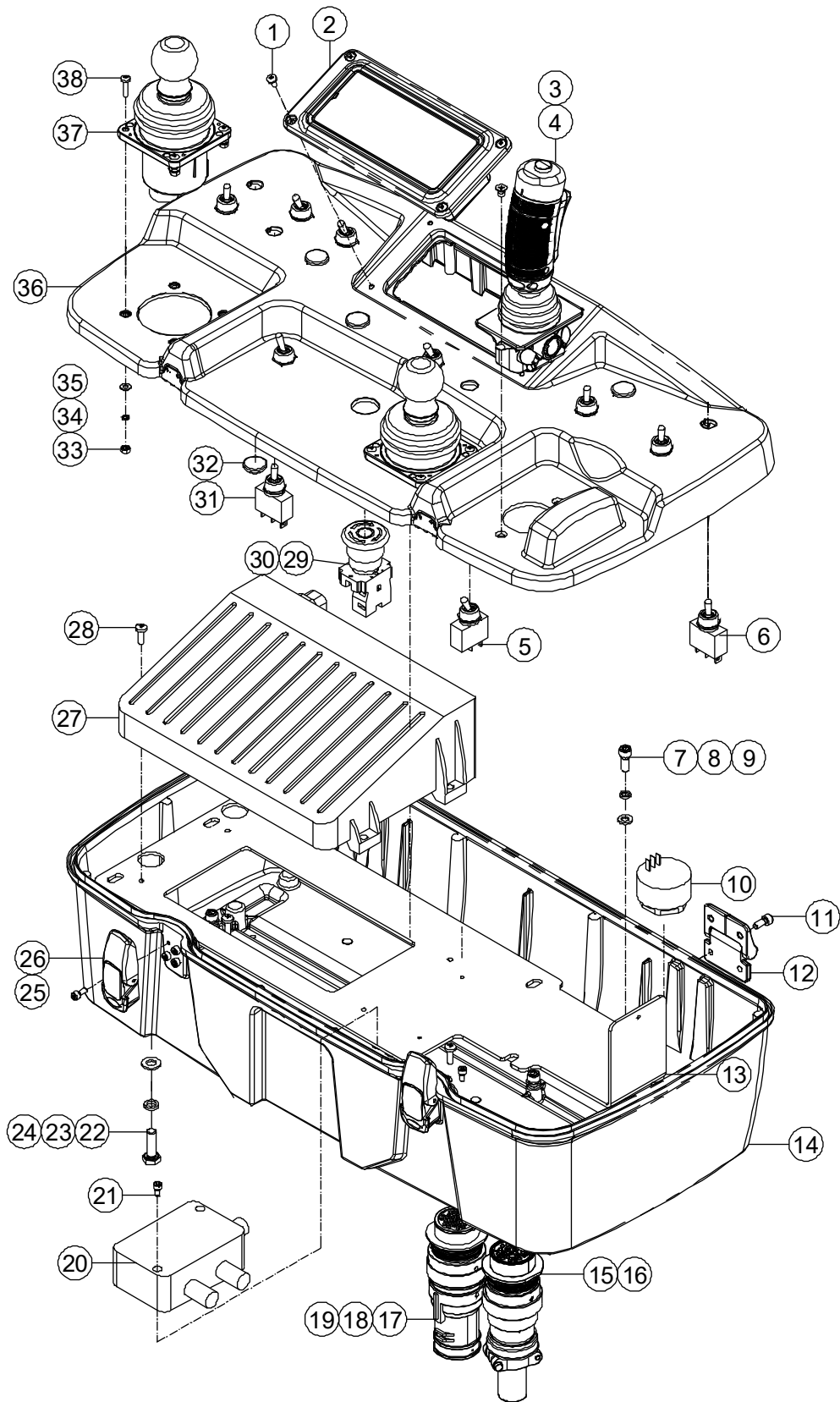
7-6 Ground Control Panel Assembly - Parker Controller



7-6 Ground Control Panel Assembly - Parker Controller

Item	Part Number	Description	Qty.	Remark
1	92101215	Panel	1	
2	00001018	Screw GB/T 973 M6×14	4	
3	00003162	Indicator, Red	1	
4	00006135	Switch, Toggle	8	
5	00006154	Push Button, Red	1	
6	00006137	Push Button, Red	1	
7	00000752	Base With 1 NC Contact	1	
8	00000754	Red Mushroom Head	1	
9	00002346	Base With 1 NO Contact	1	
10	00002566	Select Switch Head	1	
11	00002391	Screw GB/T 818 M5 × 8-H	4	
12	85000095	Display	1	
13	00006133	Key Switch	1	

7-7 Platform Control Box Assembly - COBO Controller



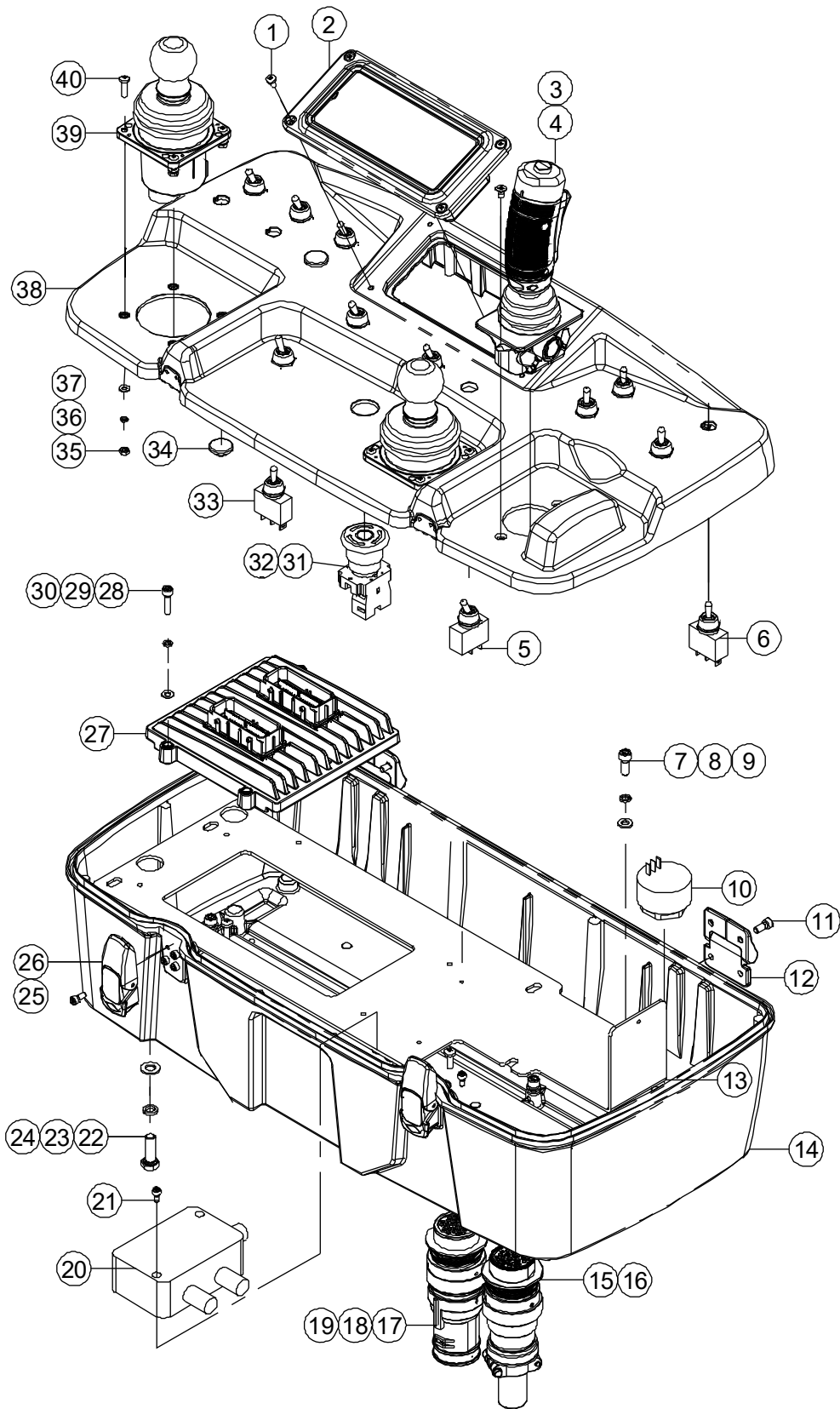
7-7 Platform Control Box Assembly - COBO Controller

Item	Part Number	Description	Qty.	Remark
1	00002333	Screw GB/T 818 M4 × 8 - H	4	
2	00005395	LED Panel	1	
3	00005459	Screw GB/T 819 M5 × 8 - H	2	
4	00005393	Joystick (Steer & Drive)	1	
5	00006134	Switch, Toggle	6	
6	00005401	Switch, Toggle	2	
7	00000876	Screw GB/T 70 M6 × 16	5	
8	00000621	Spring Washer GB/T 93 6	5	
9	00000620	Flat Washer GB/T 97.1 6	5	
10	00002326	Alarm	1	
11	00001252	Screw GB/T 70 M5 × 12	8	
12	00005391	Hinge	2	
13	92000094	Bracket	1	
14	92000092	Platform Control Box	1	
15	00005396	Housing for Male Terminals	1	
16	00005398	Housing for Female Terminals	1	
17	00004693	Back shell	1	
18	00005399	Housing for Female Terminals	1	
19	00005397	Housing for Male Terminals	1	
20	00003164	Load Sensor Amplifier	1	
21	00001987	Screw GB/T 70 M4 × 8	2	
22	00000993	Bolt GB/T 5783 M8 × 25	4	
23	00000609	Spring Washer GB/T 93 6	4	
24	00000608	Flat Washer GB/T 97.1 6	4	
25	00002002	Screw GB/T 70 M4 × 10	8	
26	00005392	Latch	2	
27	00000639	MC2M Controller	1	
--	85000029	MC2M Controller (CANOPEN PVG Valve)	1	canbus load sensor

7-7 Platform Control Box Assembly - COBO Controller (Continued)

Item	Part Number	Description	Qty.	Remark
--	85000030	MC2M Controller (CANOPEN PVG Valve)	1	analog load sensor
--	85000040	MC2M Controller (J1939 PVG Valve)	1	canbus load sensor
--	85000041	MC2M Controller (J1939 PVG Valve)	1	analog load sensor
28	00002313	Screw GB/T 818 M5 × 14 - H	4	
29	00000752	Base With 1 NC Contact	1	
30	00000754	Red Mushroom Head	1	
31	00006135	Switch, Toggle	2	
32	00000667	Plug, Toggle Switch	4	
33	00002712	Nut GB/T 6170 M4	8	
34	00000779	Spring Washer GB/T 93 4	8	
35	00000778	Flat Washer GB/T 97.1 4	8	
36	92000093	Cover, Platform Control Box	1	
37	00005394	Joystick	2	
38	00001232	Screw GB/T 818 M4 × 16 - H	8	

7-8 Platform Control Box Assembly - Parker Controller



7-8 Platform Control Box Assembly - Parker Controller

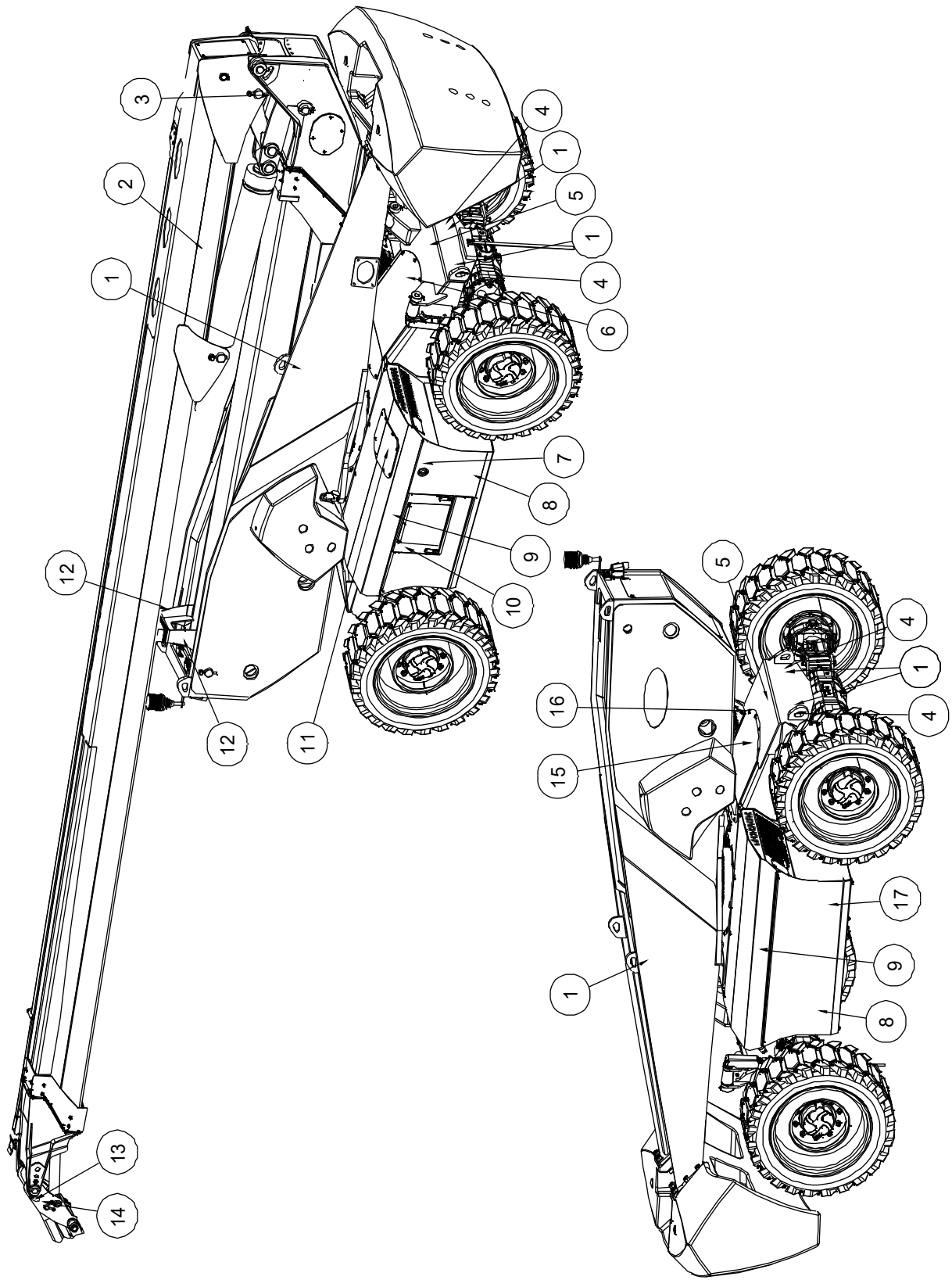
Item	Part Number	Description	Qty.	Remark
1	00002333	Screw GB/T 818 M4 × 8 - H	4	
2	00005395	LED Panel	1	
3	00005459	Screw GB/T 819 M5 × 8 - H	2	
4	00005393	Joystick (Steer & Drive)	1	
5	00006134	Switch, Toggle	6	
6	00005401	Switch, Toggle	2	
7	00000876	Screw GB/T 70 M6 × 16	5	
8	00000621	Spring Washer GB/T 93 6	5	
9	00000620	Flat Washer GB/T 97.1 6	5	
10	00002326	Alarm	1	
11	00001252	Screw GB/T 70 M5 × 12	8	
12	00005391	Hinge	2	
13	92000094	Bracket	1	
14	92000092	Platform Control Box	1	
15	00005396	Housing for Male Terminals	1	
16	00005398	Housing for Female Terminals	1	
17	00004693	Back shell	1	
18	00005399	Housing for Female Terminals	1	
19	00005397	Housing for Male Terminals	1	
20	00003164	Load Sensor Amplifier	1	
21	00001987	Screw GB/T 70 M4 × 8	2	
22	00000993	Bolt GB/T 5783 M8 × 25	4	
23	00000609	Spring Washer GB/T 93 6	4	
24	00000608	Flat Washer GB/T 97.1 6	4	
25	00002002	Screw GB/T 70 M4 × 10	8	
26	00005392	Latch	2	
27	00008699	Controller	1	
--	85000084	Controller (canbus load sensor)	1	
--	85000085	Controller (analog load sensor)	1	

7-8 Platform Control Box Assembly - Parker Controller (Continued)

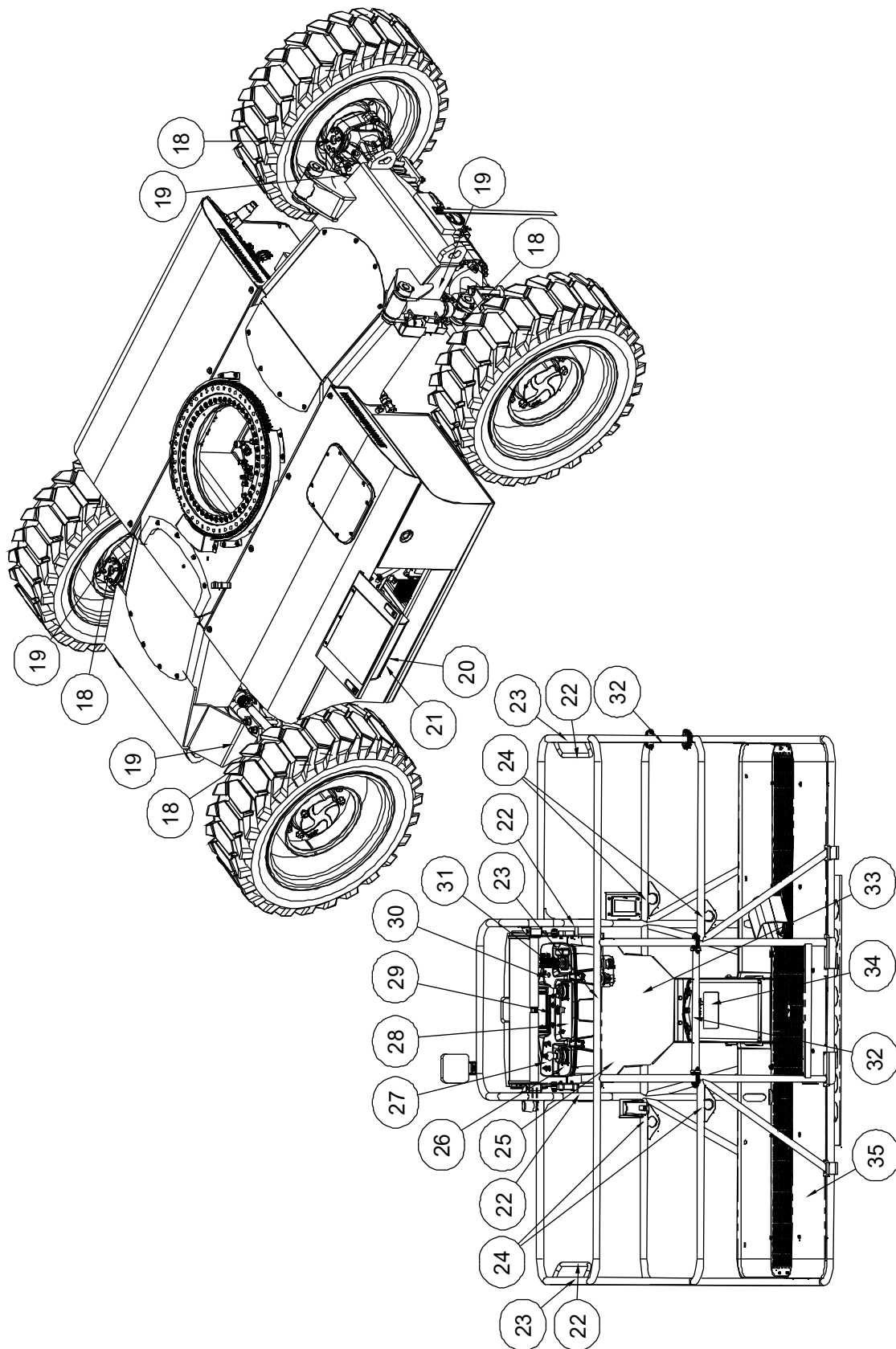
Item	Part Number	Description	Qty.	Remark
28	00000605	Flat Washer GB/T 97.1 5	4	
29	00000606	Spring Washer GB/T 93 5	4	
30	00000817	Screw GB/T 70 M5 × 20	4	
31	00000752	Base With 1 NC Contact	1	
32	00000754	Red Mushroom Head	1	
33	00006135	Switch, Toggle	2	
34	00000667	Plug, Toggle Switch	4	
35	00002712	Nut GB/T 6170 M4	8	
36	00000779	Spring Washer GB/T 93 4	8	
37	00000778	Flat Washer GB/T 97.1 4	8	
38	92000093	Cover, Platform Control Box	1	
39	00005394	Joystick	2	
40	00001232	Screw GB/T 818 M4 × 16 - H	8	

Section 8 Decals

8-1 Decals Installations



8-1 Decals Installations (Continued)







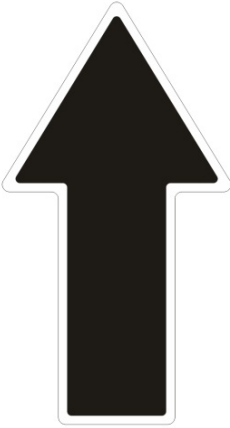
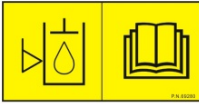







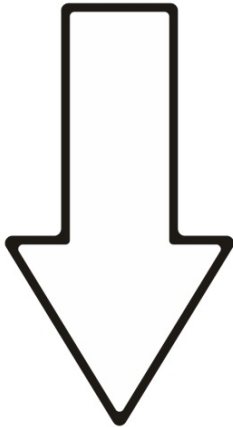
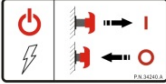










8-1 Decals Installations

Item	Part Number	Description	Qty.	Remark
1	09320014	Decal, Instructions-Lift point	6	
2	09630045	Decal, Label-BA28ERT	1	BA28ERT
	09630046	Decal, Label-BA24ERT	1	BA24ERT
	09630164	Decal, Label-BA28BERT	1	BA28BERT
	09630165	Decal, Label-BA24BERT	1	BA24BERT
3	09330024	Decal, Notice-Pressurized vessel	1	
4	09310366	Decal, Instructions-Tie down point	4	
5	09410117	Decal, Symbols-Crushing hazard	2	
6	09310251	Decal, Instructions-Black arrow forward	1	
7	09310367	Decal, Notice-Check the hydraulic oil level	1	
8	09610029	Decal, Label-BA28ERT	1	BA28ERT
	09610030	Decal, Label-BA24ERT	1	BA24ERT
	09610146	Decal, Label-BA28BERT	1	BA28BERT
	09610147	Decal, Label-BA24BERT	1	BA24BERT
9	09910082	Decal, Label-28m	2	BA28ERT BA28BERT
	09910084	Decal, Label-24m	2	BA24ERT BA24BERT
10	09410151	Decal, Warning-Emergency system overriding	1	
11	09310252	Decal, Instructions-Hydraulic	1	
12	09410118	Decal, Symbols-Hand crushing hazard	2	
13	09330002	Decal, Instructions-Pendular arm	1	
14	09330004	Decal, Instructions-Horizontal alignment	1	
15	09310250	Decal, Instructions-White arrow reverse	1	
16	09310078	Decal, Symbols-Main power switch operation	1	
17	09410048	Decal, Symbols-Explosion/burn hazard	1	
18	09310364	Decal, Instructions-Grease filling port	4	
19	09310282	Decal, Instructions-Maximum wheel load 9350kg	4	BA28ERT BA28BERT

8-1 Decals Installations (Continued)

Item	Part Number	Description	Qty.	Remark
19	09310285	Decal, Instructions-Maximum wheel load 8800kg	4	BA24ERT BA24BERT
20	09410139	Decal, Symbols-Injection hazard	1	
21	09410138	Decal, Symbols-Explosion/burn hazard	1	
22	09340070	Decal, Symbols-Non operating hand position	4	
23	09440212	Decal, Warning-Crushing hazard	3	
24	09340041	Decal, Label-Lanyard anchorage point	4	
25	09440332	Decal, Danger-Axle release hazard	1	
26	09140040	Decal, Platform control panel	1	
27	09140037	Decal, Platform control panel	1	
28	09140041	Decal, Platform control panel	1	
29	09140045	Decal, Platform control panel	1	
30	09140039	Decal, Platform control panel	1	
31	09140042	Decal, Platform control panel	1	
32	09340029	Decal, Instructions-Open/close	2	
33	09440379	Decal, Instructions-Work area	1	BA28ERT
	09440380	Decal, Instructions-Work area	1	BA24ERT
	09440650	Decal, Instructions-Work area	1	BA28BERT
	09440651	Decal, Instructions-Work area	1	BA24BERT
34	09340026	Decal, Symbols-Refer the operator to the instructions for use	1	
35	09440259	Decal, Label-Capacity 250kg	1	BA28ERT BA28BERT
	09440193	Decal, Label-Capacity 300kg	1	BA24ERT BA24BERT

8-1 Decals Installations (Continued)

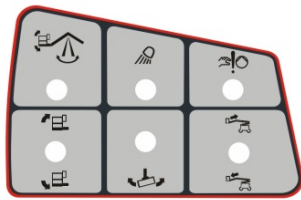
<p>② 09630045</p> <p>BA28ERT</p>	<p>① 09320014</p> 	<p>③ 09330024</p> 	<p>④ 09310366</p> 	
<p>② 09630046</p> <p>BA24ERT</p>	<p>⑤ 09410117</p> 	<p>⑥ 09310251</p> 		
<p>② 09630164</p> <p>BA28BERT</p>	<p>⑦ 09310367</p> 			
<p>② 09630165</p> <p>BA24BERT</p>				
<p>⑧ 09610029</p> <p>BA28ERT</p>	<p>⑧ 09610146</p> <p>BA28BERT</p>	<p>⑩ 09410151</p> 	<p>⑪ 09310252</p> 	
<p>⑧ 09610030</p> <p>BA24ERT</p>	<p>⑧ 09610147</p> <p>BA24BERT</p>			
<p>⑨ 09910082</p> <p>DINGLI 28m</p> 	<p>⑫ 09410118</p> 	<p>⑬ 09330002</p> 		
<p>⑨ 09910084</p> <p>DINGLI 24m</p> 		<p>⑭ 09330004</p> 		
<p>⑮ 09310250</p> 	<p>⑯ 09310078</p> 	<p>⑰ 09410048</p> 	<p>⑱ 09310364</p> 	
	<p>⑲ 09310282</p> 	<p>⑲ 09310285</p> 	<p>⑳ 09410139</p> 	<p>㉑ 09410138</p> 
	<p>㉒ 09340070</p> 	<p>㉓ 09440212</p> 	<p>㉔ 09340041</p> 	<p>㉕ 09440332</p> 

8-1 Decals Installations (Continued)

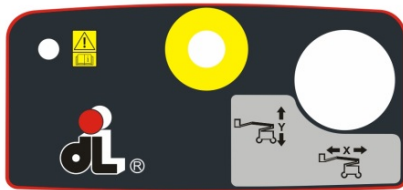
26) 09140040



27) 09140037



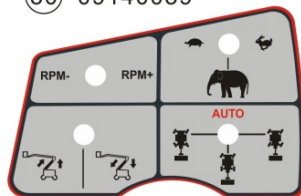
28) 09140041



29) 09140045



30) 09140039



32) 09340029



31) 09140042



34) 09340026



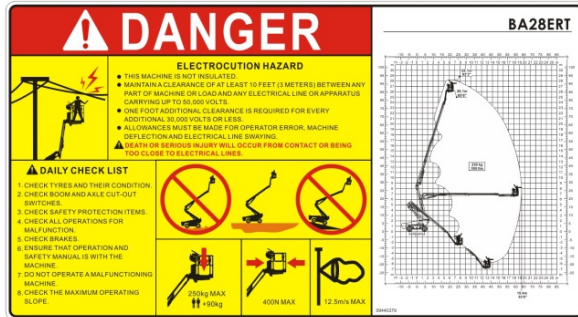
35) 09440259

CAPACITY 250kg

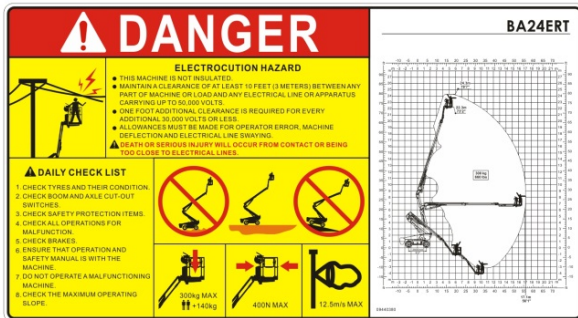
35) 09440192

CAPACITY 300kg

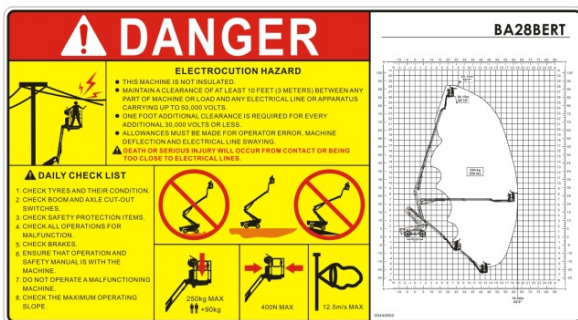
33) 09440379



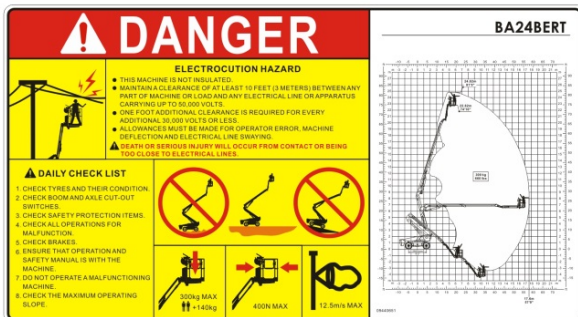
33) 09440380



33) 09440650

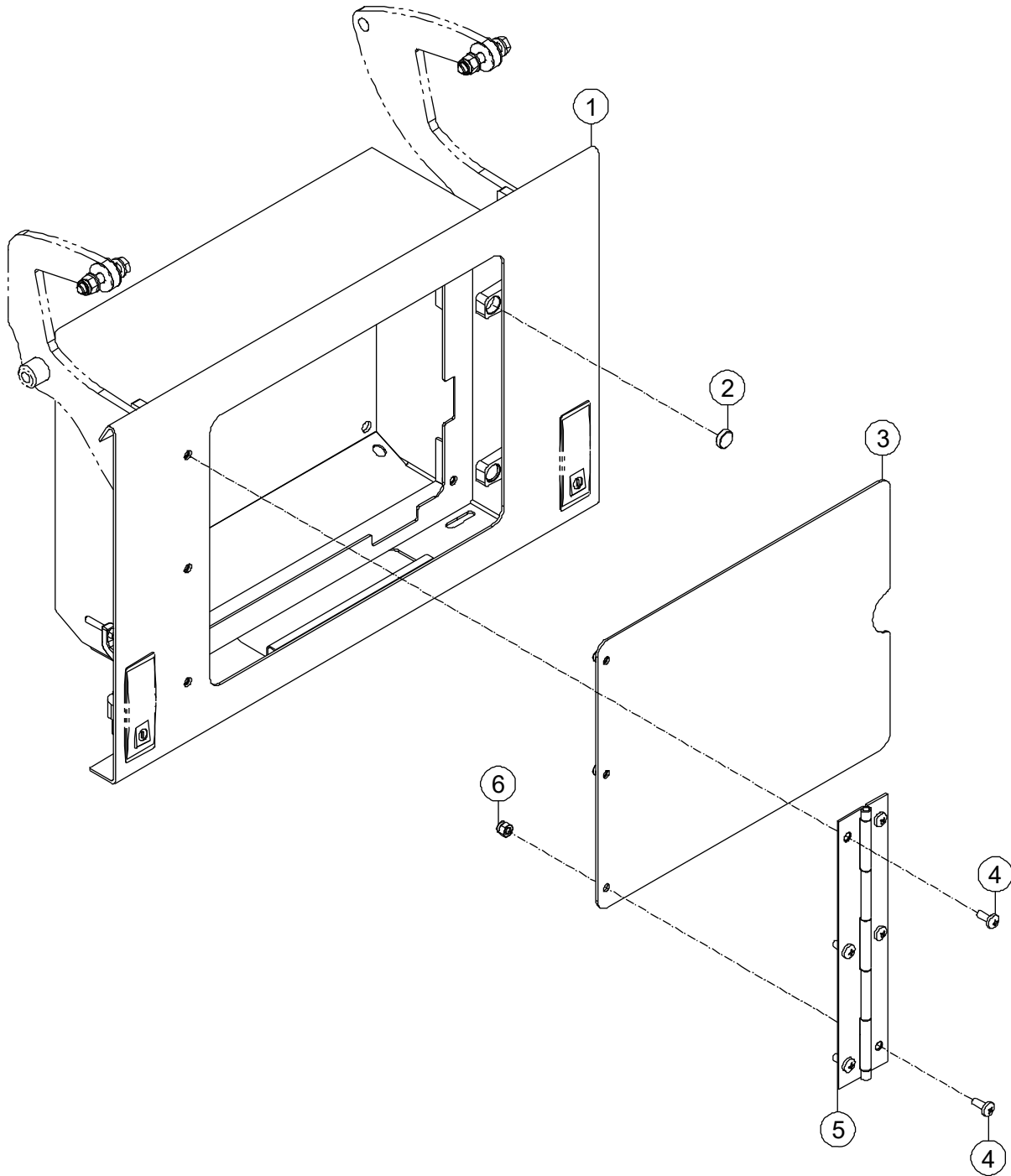


33) 09440651



Section 9 Special Options

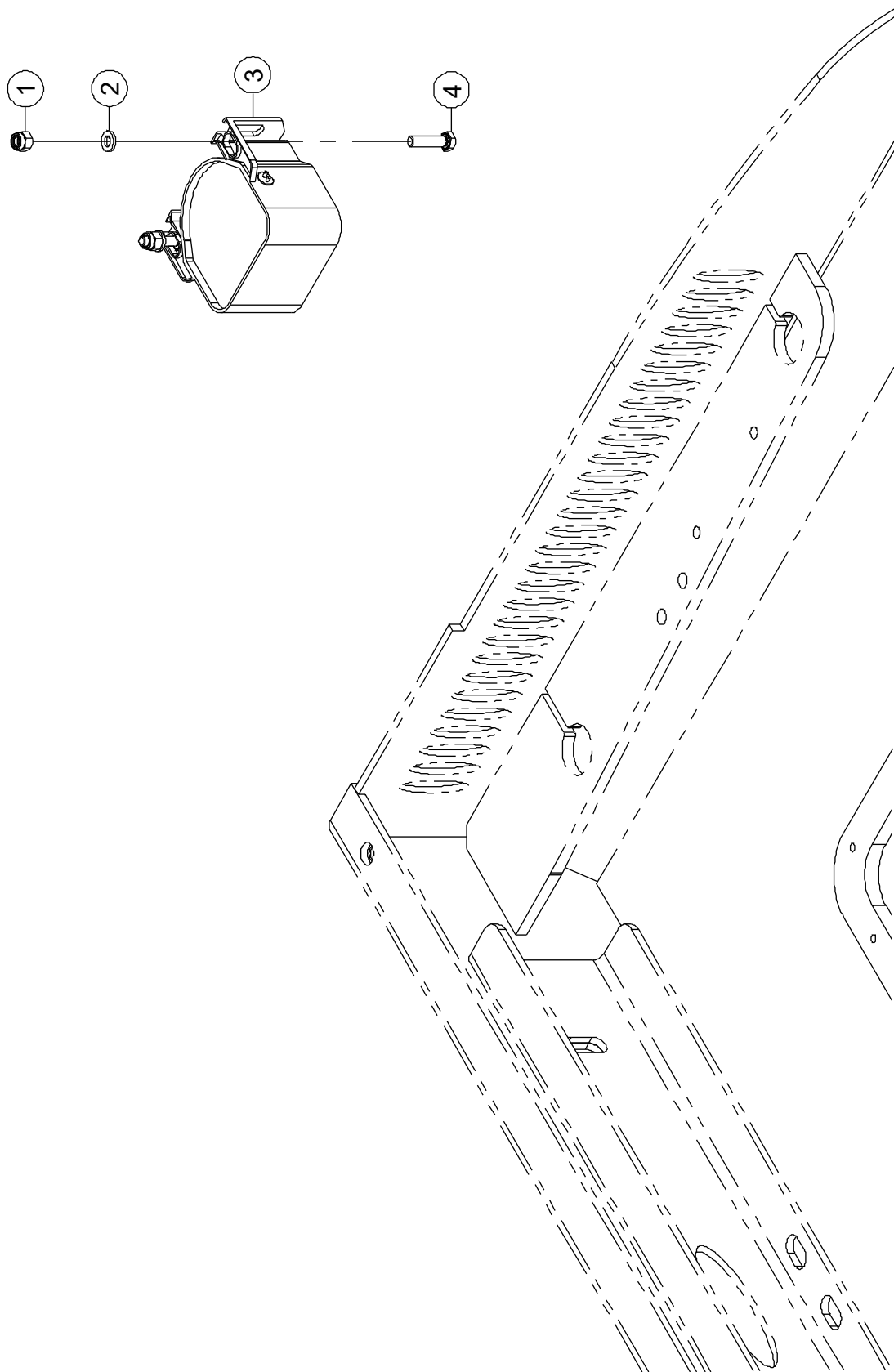
9-1 Ground Control Box Housing Installations



9-1 Ground Control Box Housing Installations

Item	Part Number	Description	Qty.	Remark
1	92100784	Ground Control Box	1	
2	10002550	Magnet	2	
3	92100788	Control door plate	1	
4	00001231	Screw GB/T 818 M6 × 14 - H	6	
5	92100786	Hinge	1	
6	00001033	Nut GB/T 6182 M6	3	

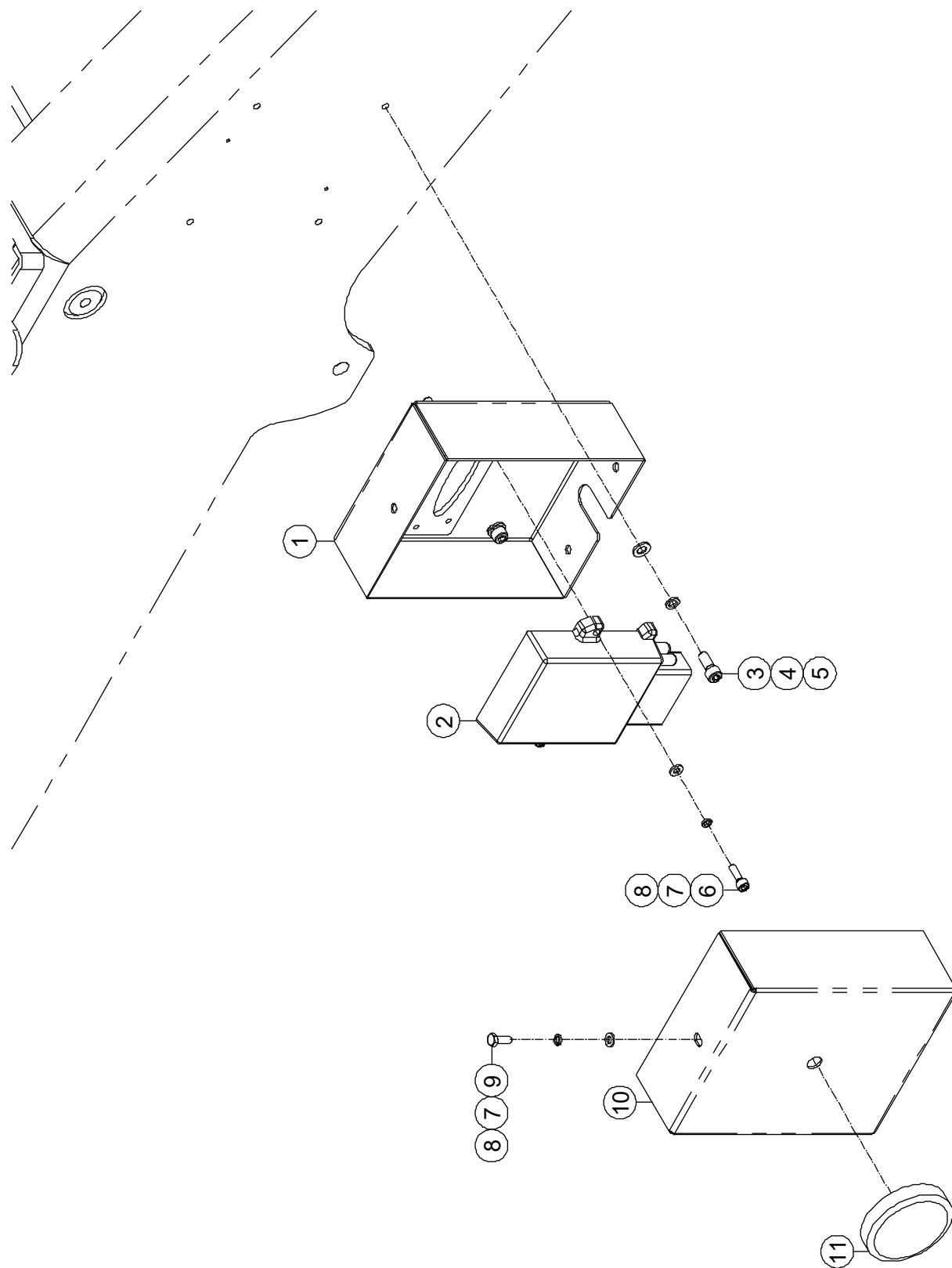
9-2 Alarm Installations



9-2 Alarm Installations

Item	Part Number	Description	Qty.	Remark
1	00001033	Nut GB/T 6182 M6	2	
2	00000620	Flat Washer GB/T 97.1 6	2	
3	00004438	Alarm	1	
4	00000619	Bolt GB/T 5783 M6 × 25	2	

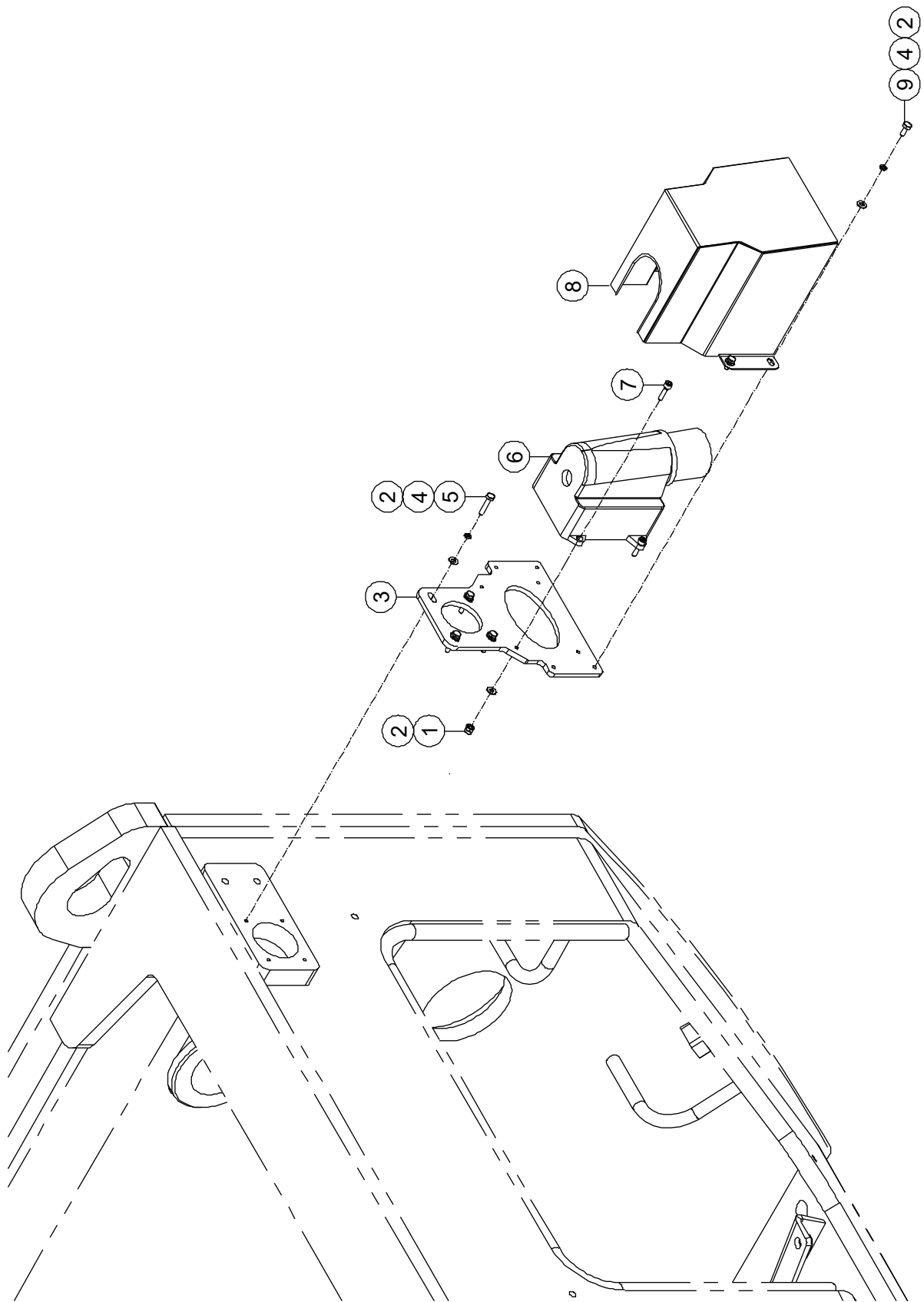
9-3 GPS Module Installations



9-3 GPS Module Installations

Item	Part Number	Description	Qty.	Remark
1	92100897	Bracket	1	
2	00007339	IOT Module	1	
3	00001061	Screw GB/T 70 M8 × 20	4	
4	00000609	Spring Washer GB/T 93 8	4	
5	00000608	Flat Washer GB/T 97.1 8	4	
6	00000774	Screw GB/T 70 M6 × 20	2	
7	00000621	Spring Washer GB/T 93 6	5	
8	00000620	Flat Washer GB/T 97.1 6	5	
9	00000818	Bolt GB/T 5783 M6 × 16	3	
10	92100896	Cover	1	
11	00007340	GPS Antenna	1	

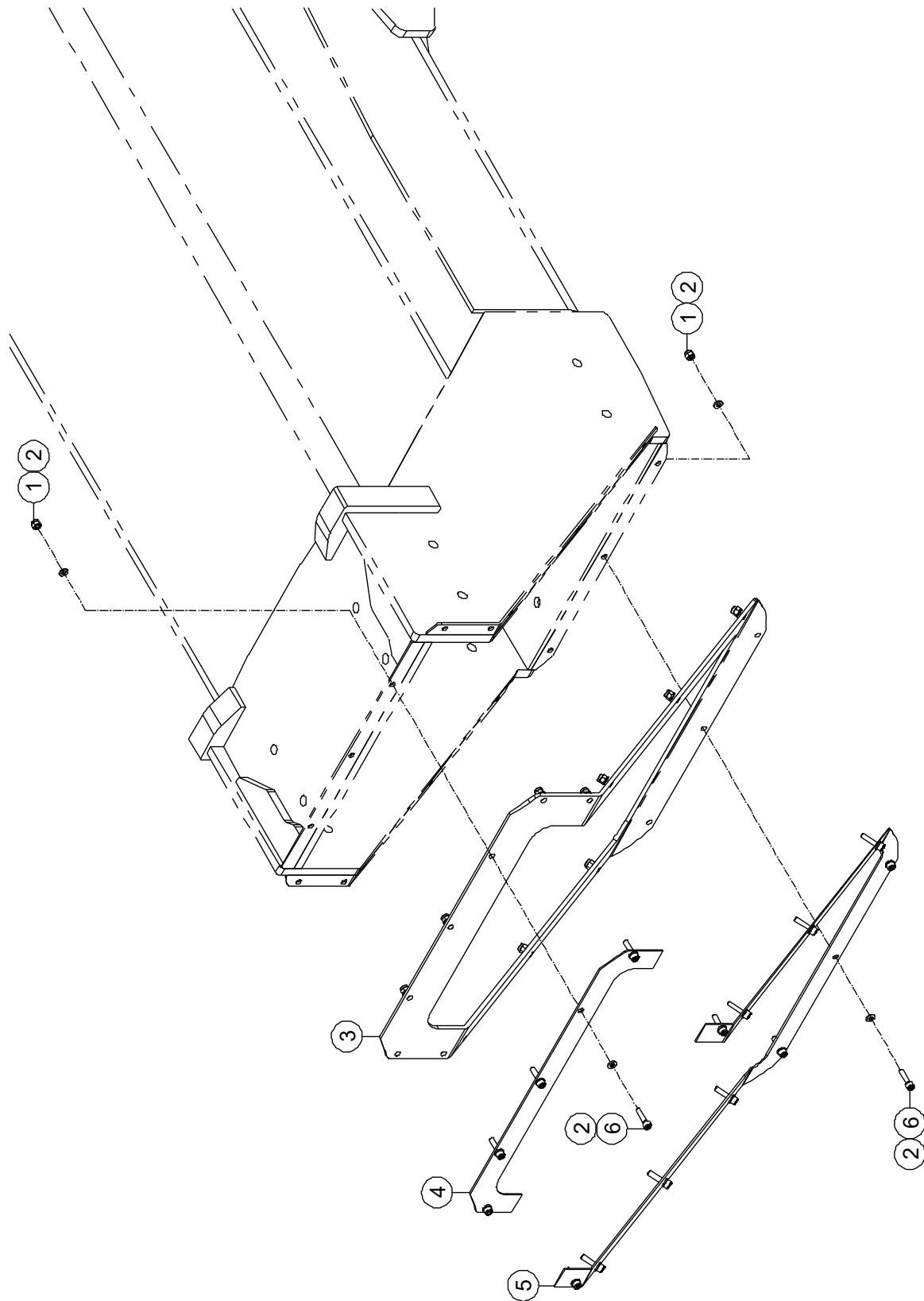
9-4 AC Plug Assembly



9-4 AC Plug Assembly

Item	Part Number	Description	Qty.	Remark
1	00001236	Nut GB/T 889.1 M4	4	
2	00000778	Flat Washer GB/T 97.1 4	12	
3	92100746	Support	1	
4	00000779	Spring Washer GB/T 93 4	8	
5	00002730	Bolt GB/T 5783 M4 × 20	4	
6	00002929	Plug	1	
7	00000604	Screw GB/T 70.1 M4×16	4	
8	92100747	Housing	1	
9	00002511	Bolt GB/T 5783 M4 × 10	4	

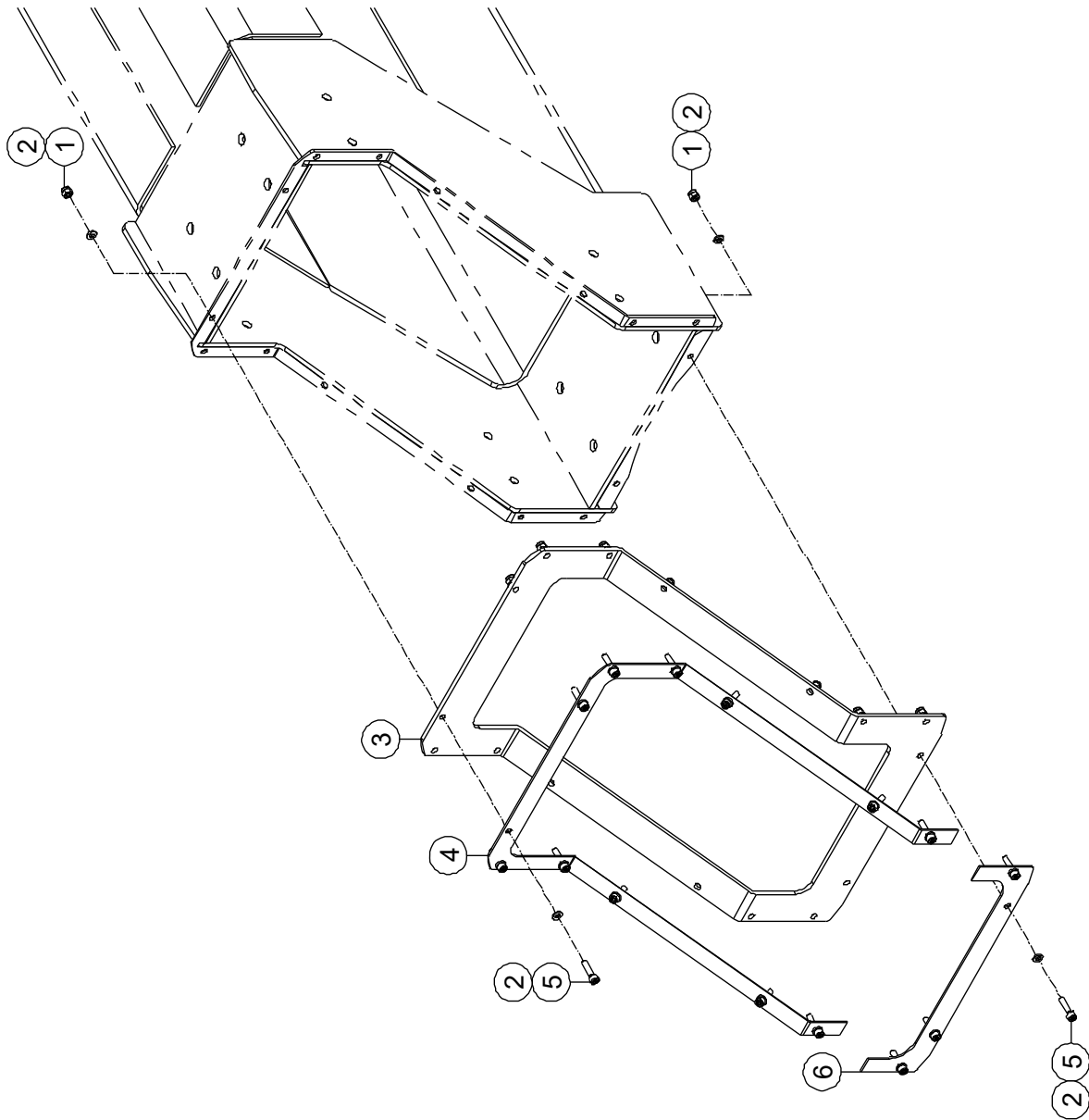
9-5 Tower Base Boom Guard Installations



9-5 Tower Base Boom Guard Installations

Item	Part Number	Description	Qty.	Remark
1	00001033	Nut GB/T 6182 M6	16	
2	00000620	Flat Washer GB/T 97.1 6	32	
3	92100789	Guard (Rubber)	1	
4	92100791	Plate	1	
5	92100790	Plate	1	
6	00001034	Screw GB/T 70 M6 × 25	16	

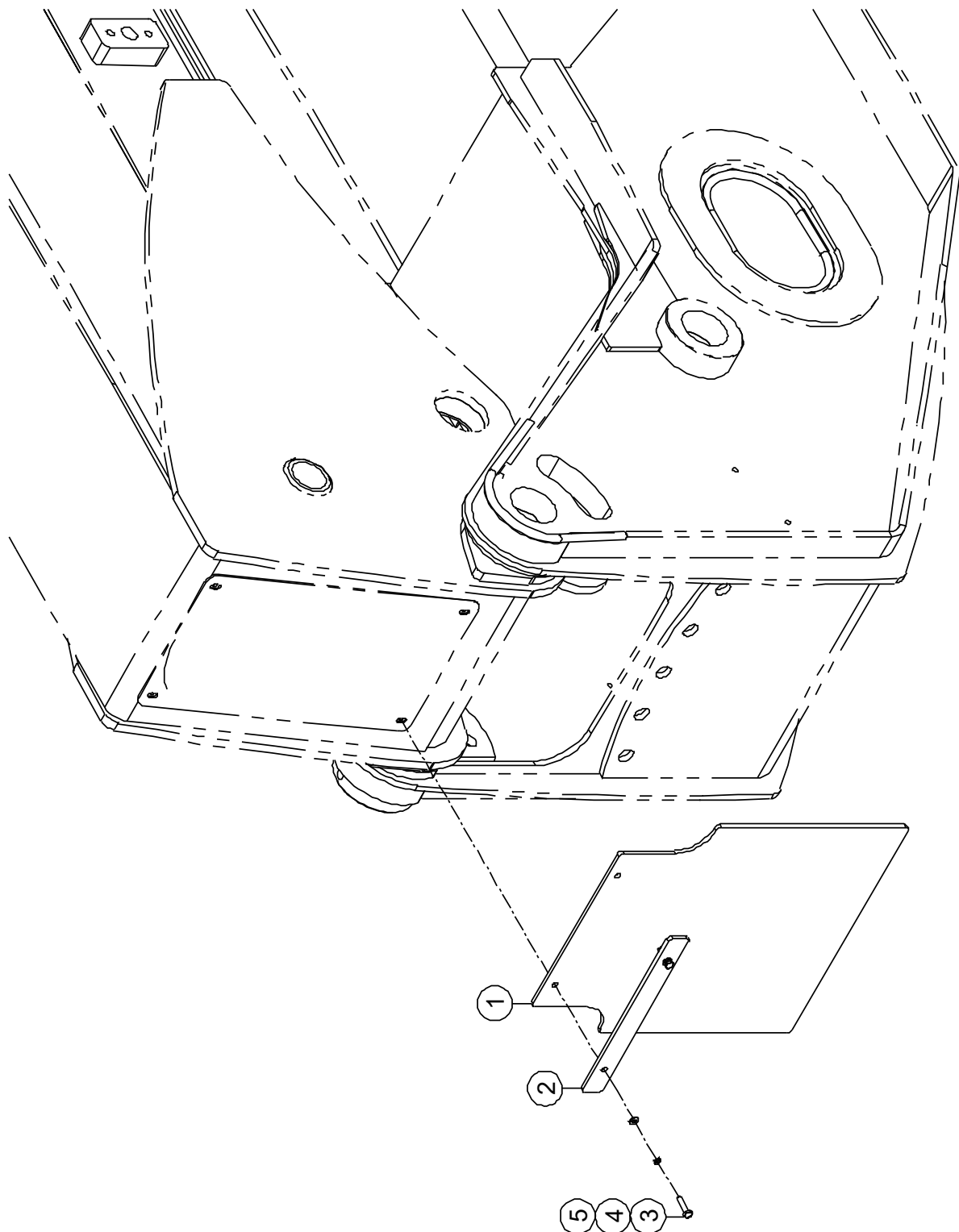
9-6 Base Boom Guard Installations



9-6 Base Boom Guard Installations

Item	Part Number	Description	Qty.	Remark
1	00001033	Nut GB/T 6182 M6	16	
2	00000620	Flat Washer GB/T 97.1 6	32	
3	92100792	Guard (Rubber)	1	
4	92100793	Plate	1	
5	00001034	Screw GB/T 70 M6 × 25	16	
6	92100794	Plate	1	

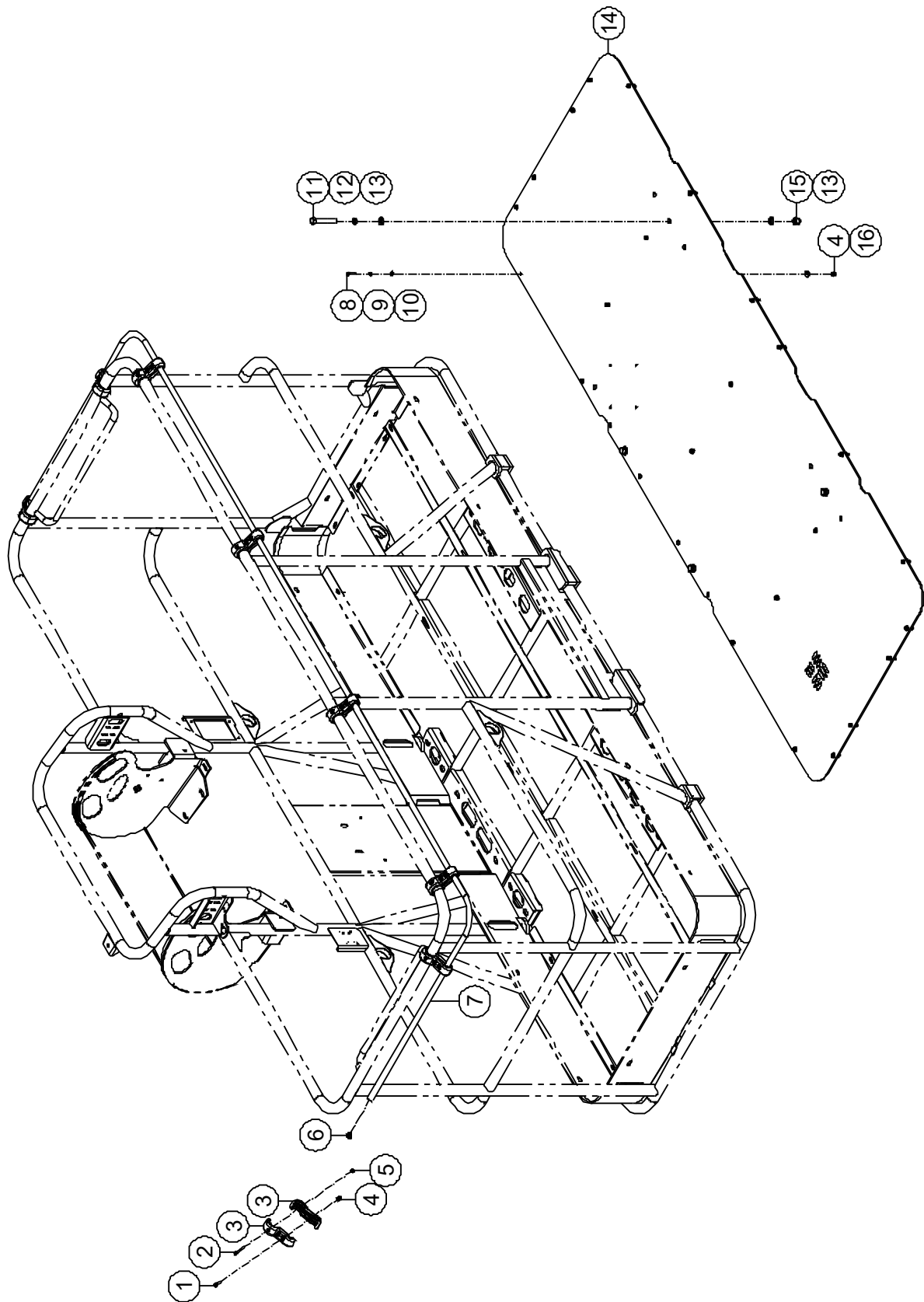
9-7 Rubber Mat Installations



9-7 Rubber Mat Installations

Item	Part Number	Description	Qty.	Remark
1	92100804	Rubber Mat	1	
2	92100805	Plate	1	
3	00000619	Bolt GB/T 5783 M6 × 25	2	
4	00000621	Spring Washer GB/T 93 6	2	
5	00000620	Flat Washer GB/T 97.1 6	2	

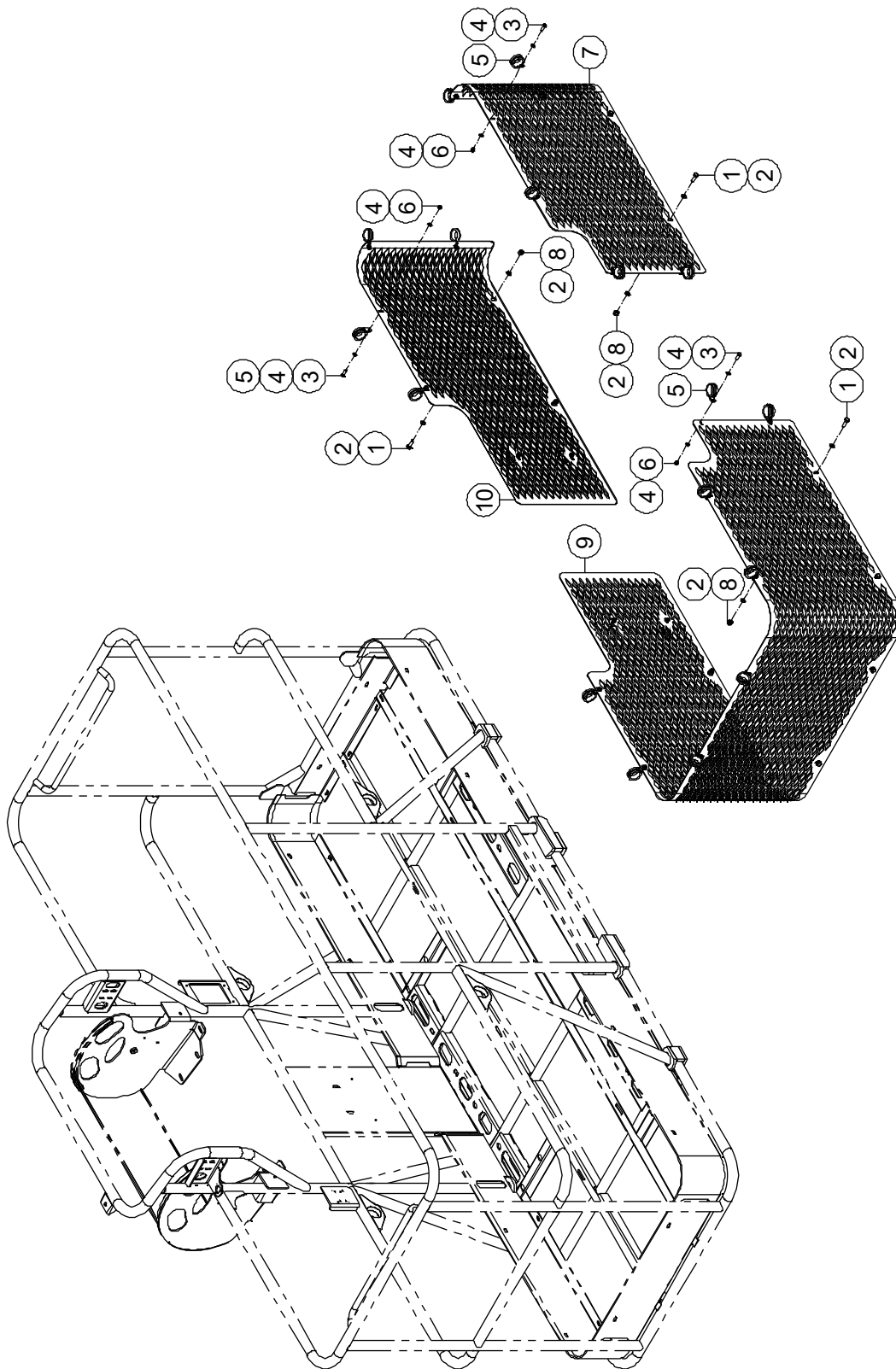
9-8 Platform Accessories 1



9-8 Platform Accessories 1

Item	Part Number	Description	Qty.	Remark
1	00001034	Screw GB/T 70 M6 × 25	16	
2	00002505	Screw GB/T 70 M5 × 50	8	
3	10007023	Pinch Guard Support	16	
4	00001033	Nut GB/T 6182 M6	40	
5	00000613	Nut GB/T 6182 M5	8	
6	92100821	Plug	2	
7	92100767	Pinch Guard	1	
8	00000619	Bolt GB/T 5783 M6 × 25	24	
9	00000621	Spring Washer GB/T 93 6	24	
10	00000620	Flat Washer GB/T 97.1 6	24	
11	00002527	Bolt GB/T 5782 M12 × 80	4	
12	00000815	Spring Washer GB/T 93 12	4	
13	00000814	Flat Washer GB/T 97.1 12	8	
14	92100777	Deck Plate	1	
15	00001249	Nut GB/T 6182 M12	4	
16	00002583	Flat Washer GB/T 96.1 6	24	

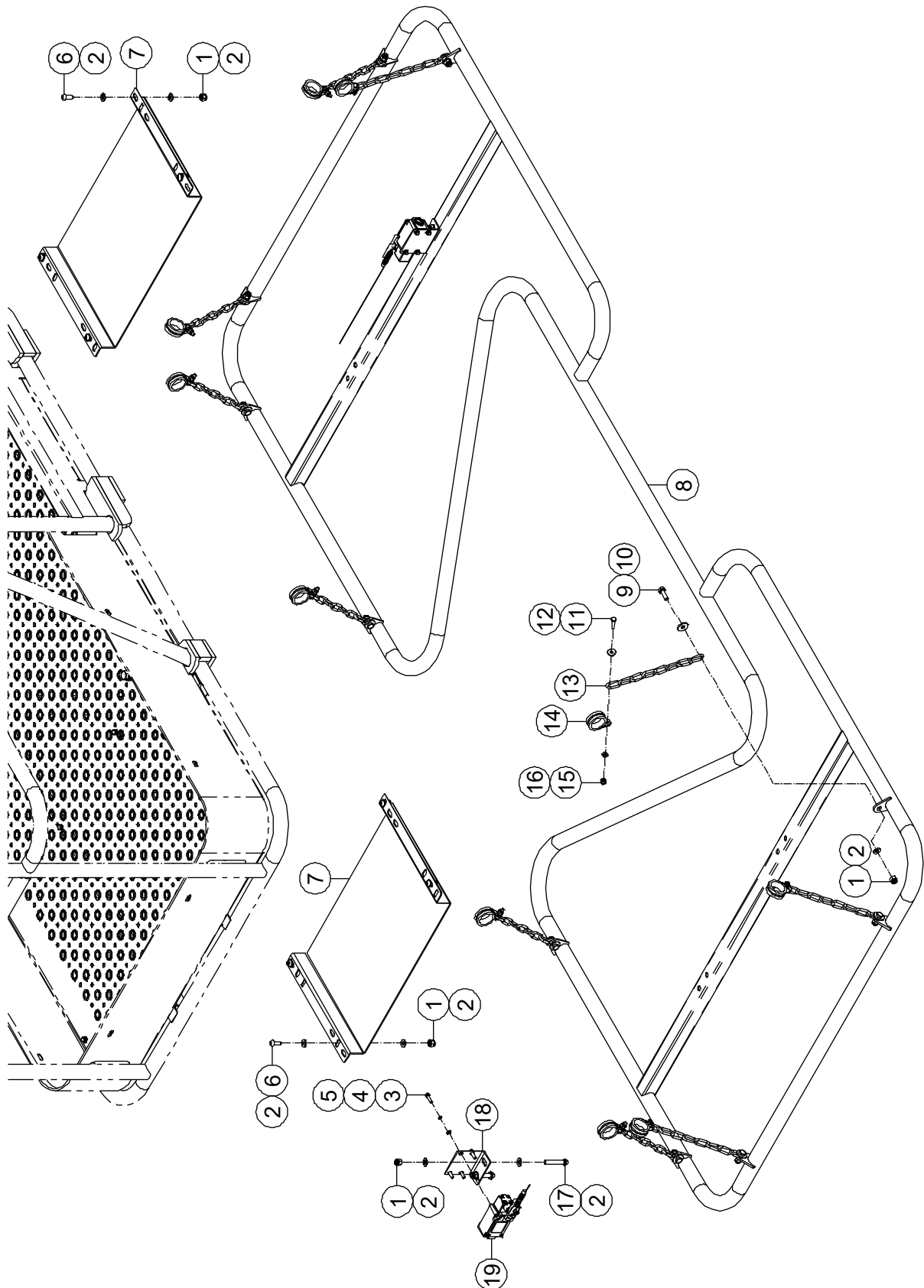
9-9 Platform Accessories 2



9-9 Platform Accessories 2

Item	Part Number	Description	Qty.	Remark
1	00000993	Bolt GB/T 5783 M8 × 25	10	
2	00000608	Flat Washer GB/T 97.1 8	20	
3	00000743	Bolt GB/T 5783 M6 × 20	22	
4	00000620	Flat Washer GB/T 97.1 6	44	
5	92100782	Clamp	22	
6	00001033	Nut GB/T 6182 M6	22	
7	92100781	Panel, Half Mesh	1	
8	00001163	Nut GB/T 6182 M8	10	
9	92100779	Panel, Half Mesh	1	
10	92100780	Panel, Half Mesh	1	

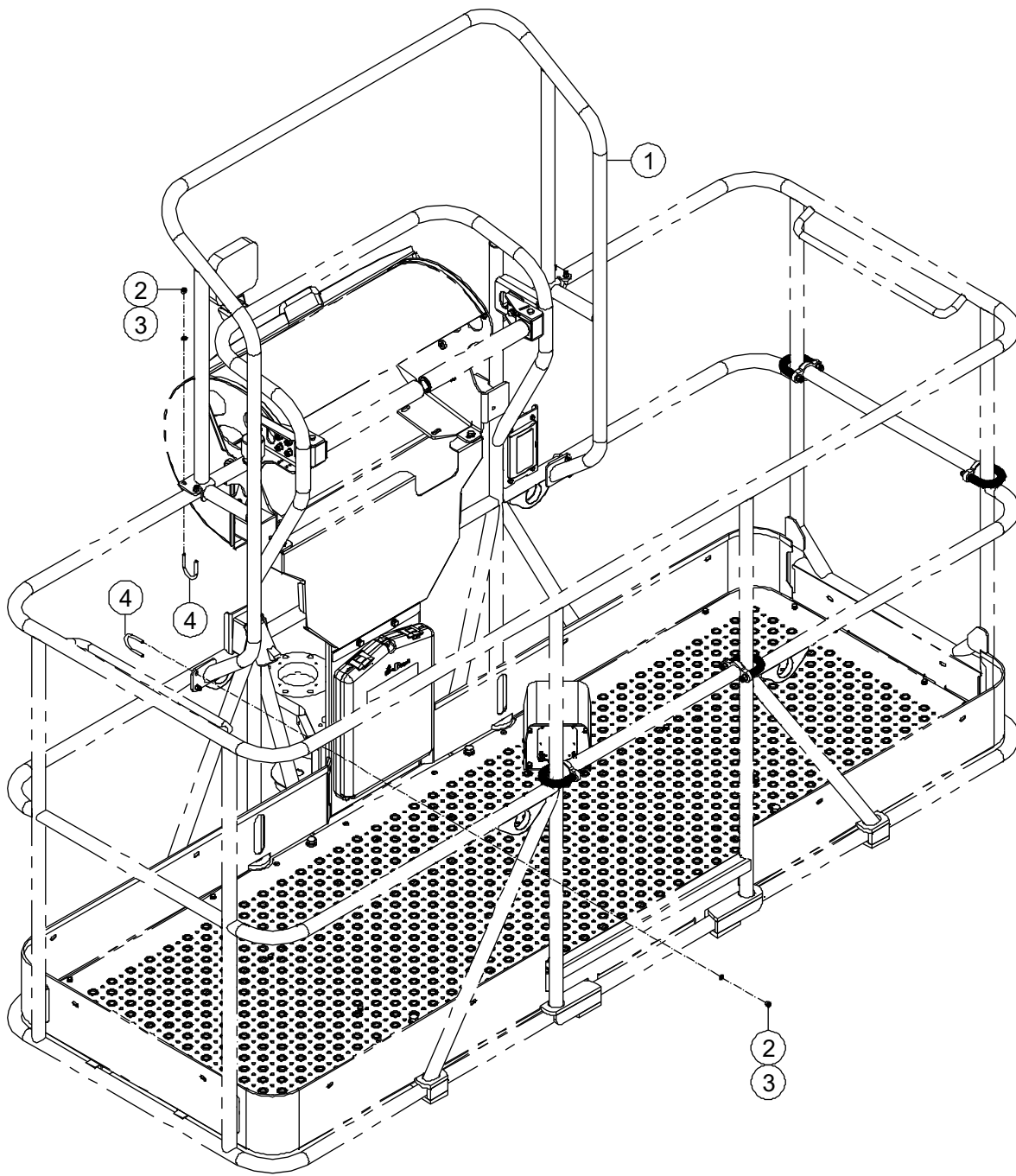
9-10 Platform Accessories 3



9-10 Platform Accessories 3

Item	Part Number	Description	Qty.	Remark
1	00001163	Nut GB/T 6182 M8	22	
2	00000608	Flat Washer GB/T 97.1 8	34	
3	00002268	Bolt GB/T 5783 M5 × 20	8	
4	00000606	Spring Washer GB/T 93 5	8	
5	00000605	Flat Washer GB/T 97.1 5	8	
6	00001188	Screw GB/T 70.2 M8×20	8	
7	92101394	Bracket	2	
8	92101389	Support	1	
9	00000993	Bolt GB/T 5783 M8 × 25	10	
10	00002000	Flat Washer GB/T 96.1 8	10	
11	00000619	Bolt GB/T 5783 M6 × 25	10	
12	00002583	Flat Washer GB/T 96.1 6	10	
13	92101400	Chain	10	
14	92100782	Clamp	10	
15	00001033	Nut GB/T 6182 M6	10	
16	00000620	Flat Washer GB/T 97.1 6	10	
17	00003607	Bolt GB/T 5783 M8 × 50	4	
18	92101396	Bracket	2	
19	00009340	Switch, Limit	2	

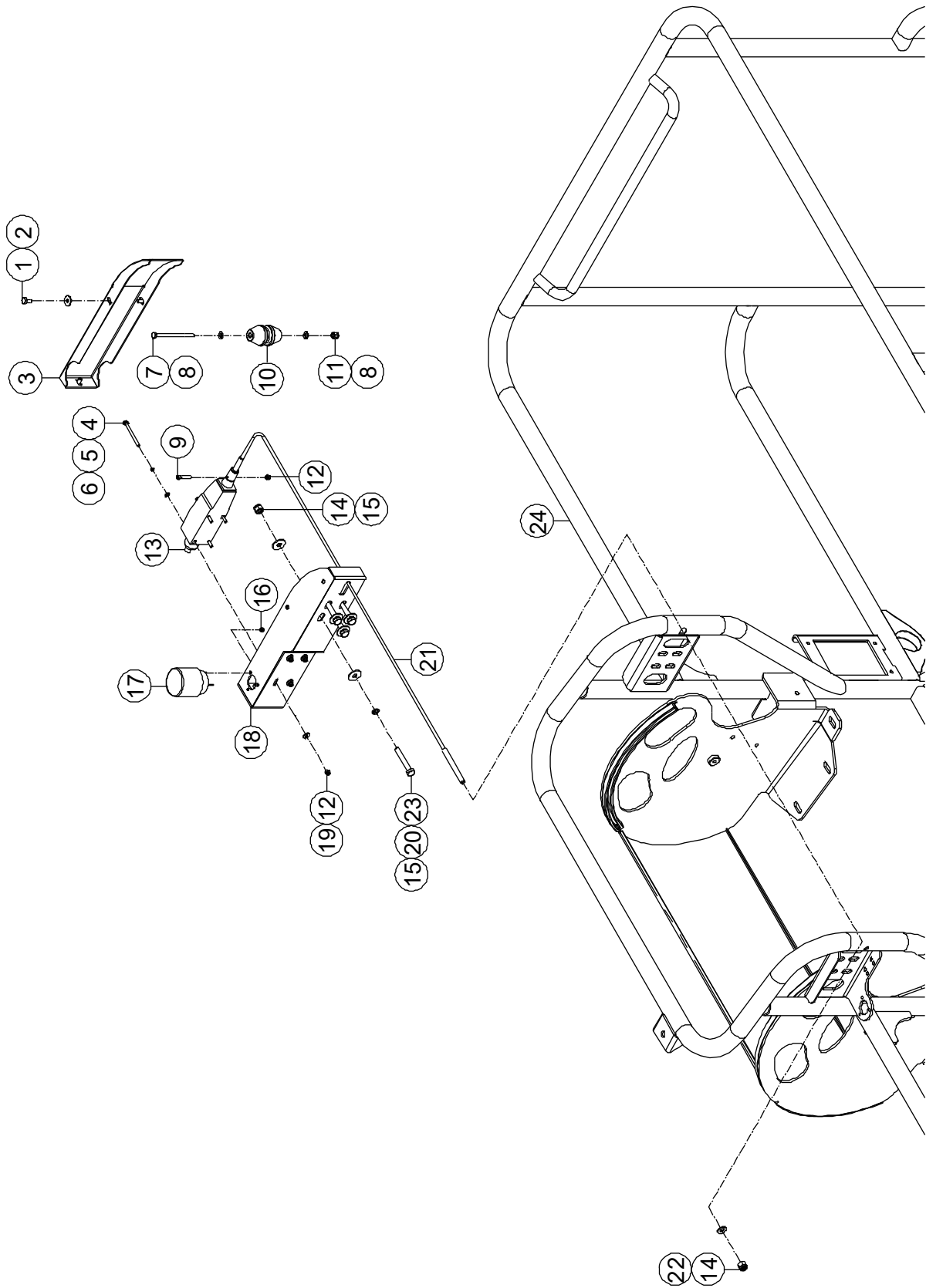
9-11 Platform Accessories 4



9-11 Platform Accessories 4

Item	Part Number	Description	Qty.	Remark
1	92101036	Pinch Guard	1	
2	00001033	Nut GB/T 6182 M6	8	
3	00000620	Flat Washer GB/T 97.1 6	8	
4	92101043	Clamp	4	

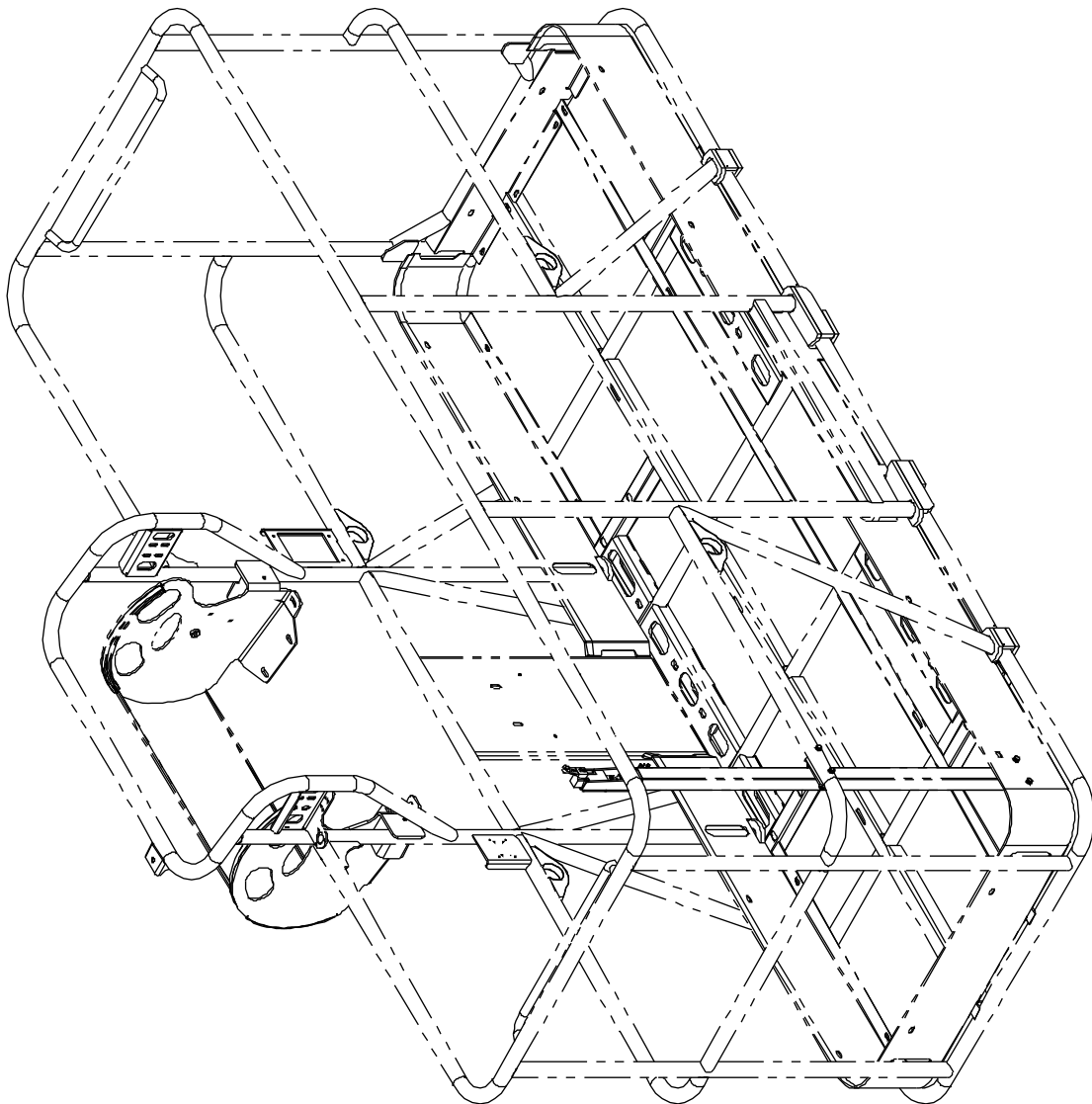
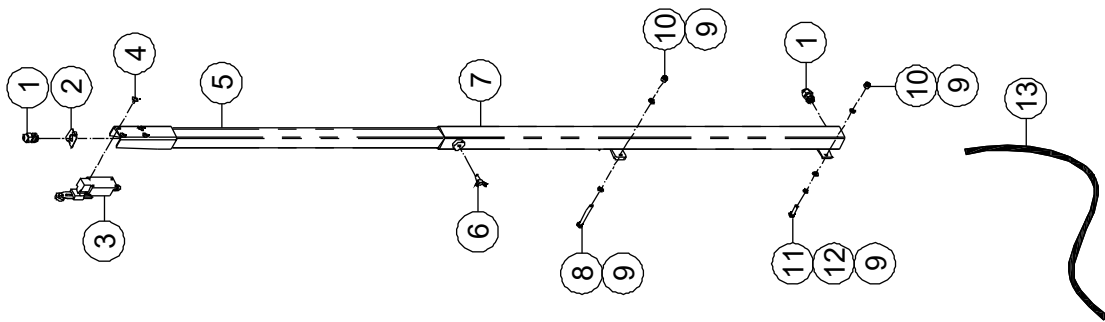
9-12 Lift Guard Contact Alarm



9-12 Lift Guard Contact Alarm

Item	Part Number	Description	Qty.	Remark
1	00000745	Bolt GB/T 5783 M6 × 12	3	
2	00002583	Flat Washer GB/T 96.1 6	3	
3	92100775	Housing	1	
4	00005191	Bolt GB/T 5783 M4 × 55	4	
5	00000779	Spring Washer GB/T 93 4	4	
6	00000778	Flat Washer GB/T 97.1 4	4	
7	00007023	Bolt GB/T 5782 M6 × 80	1	
8	00000620	Flat Washer GB/T 97.1 6	2	
9	00002228	Screw GB/T 70 M4 × 25	1	
10	92100774	Roller	1	
11	00001033	Nut GB/T 6182 M6	1	
12	00001236	Nut GB/T 889.1 M4	5	
13	00005189	Pull-Wire Switch	1	
14	00001163	Nut GB/T 6182 M8	5	
15	00002000	Flat Washer GB/T 96.1 8	8	
16	00003700	Nut GB/T 889.1 M3	3	
17	00005190	Beacon	1	
18	92100770	Bracket	1	
19	00003610	Flat Washer GB/T 96.1 4	4	
20	00000609	Spring Washer GB/T 93 8	4	
21	92100773	Wire Rope Fastener	1	
22	00000608	Flat Washer GB/T 97.1 8	1	
23	00002507	Bolt GB/T 5783 M8 × 55	4	
24	92100778	Platform	1	

9-13 Anti-collision Device Installations



9-13 Anti-collision Device Installations

Item	Part Number	Description	Qty.	Remark
1	00001825	M12 Clamp	4	
2	10001599	Bracket, Limit Switch	2	
3	00002354	Limit Switch	2	
4	00000999	Screw GB/T 973 M5×10	8	
5	10001645	Pole	2	
6	00002586	Screw M8×16	2	
7	10001644	Pole	2	
8	00001066	Bolt GB/T 5782 M6 × 55	4	
9	00000620	Flat Washer GB/T 97.1 6	16	
10	00001033	Nut GB/T 6182 M6	8	
11	00000619	Bolt GB/T 5783 M6 × 25	4	
12	00000621	Spring Washer GB/T 93 6	8	
13	00006839	3.4m Harness	2	

Zhejiang Dingli Machinery Co., Ltd.

No.188 Qihang Road. Deqing Zhejiang P.R.

China 313219

Tel: +86-572-8681688

Fax: +86-572-8681690

Web: www.cndingli.com

E-mail: market@cndingli.com

DINGLI