

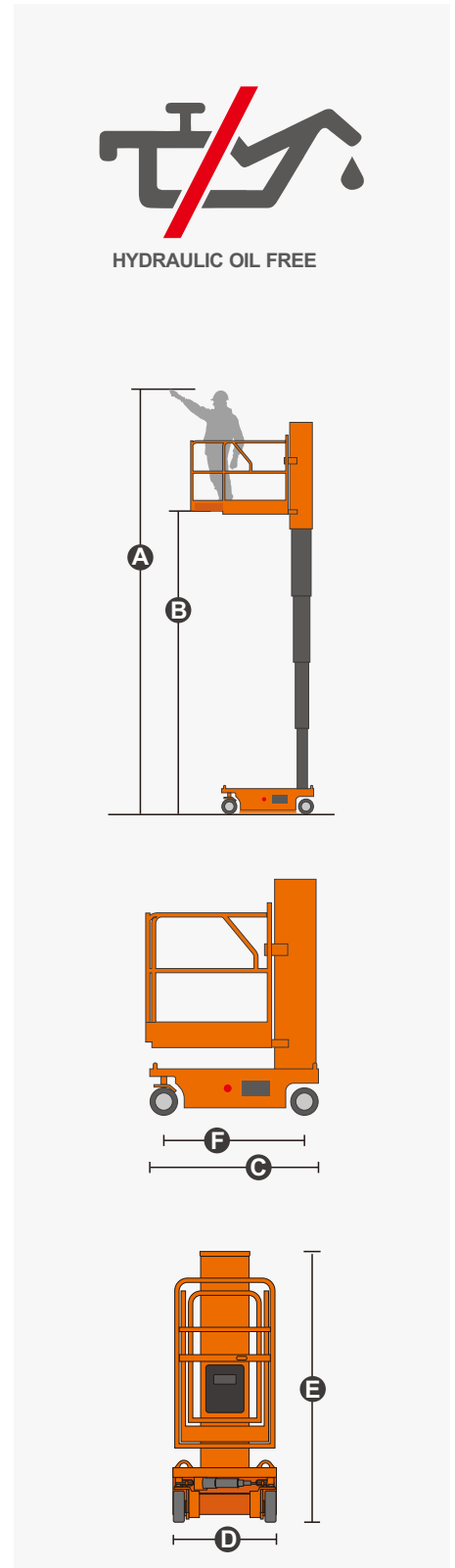
SPECIFICATIONS

| Size | Metric | British |
|---------------------------------|--------------|-----------------|
| Max.Working Height A | 6.70m | 22ft |
| Max.Platform Height B | 4.70m | 15ft 5in |
| Overall Length C | 1.45m | 4ft 9in |
| Overall Width D | 0.76m | 2ft 6in |
| Overall Height E | 1.99m | |
| Platform Size(Length/Width) | 1.00m×0.76m | 3ft 3in×2ft 6in |
| Platform Extension Size | 0.50m | 1ft 8in |
| Ground Clearance(Stowed/Raised) | 0.06m/0.014m | 2in/1in |
| Wheelbase F | 1.21m | 4ft |
| Turning Radius(Inside/Outside) | 0.60m/1.80m | 2ft/5ft 11in |
| Tyres | Φ230×80mm | Φ230×80mm |

| Performance | | |
|----------------------|-------------|-------------|
| S.W.L | 230kg | 507lb |
| S.W.L On Extension | 113kg | 249lb |
| Max. Occupants | 2 | 2 |
| Gradeability | 25% | 25% |
| Travel Speed(Stowed) | 3.6km/h | 2.20mph |
| Travel Speed(Raised) | 0.5km/h | 0.31mph |
| Max. Working Slope | X-1.5°/Y-3° | X-1.5°/Y-3° |
| Up/Down Speed | 28/28sec | 28/28sec |

| Weight | | |
|--------|--------|--------|
| Weight | 1350kg | 2976lb |

| Power | | |
|---------------|---------------|---------------|
| Battery | 2×12V/115Ah | 2×12V/115Ah |
| Charger | 24VDC/15A | 24VDC/15A |
| Drive Motor | 2×24VAC/0.5kW | 2×24VAC/0.5kW |
| Lifting Motor | 24VDC/2.2kW | 24VDC/2.2kW |



FEATURES

Standard Items

- Proportional Joystick Controls
- Self-Locking Gates
- One-Way Platform Extension Deck
- Drivable At Full Height
- Non-Marking Tires
- Two-Wheel Drive
- Two-Wheel Steering
- Automatic Braking System
- Emergency Descent System
- Fault Diagnosis System
- Tilt Alarm
- Motion Alarm
- Horn
- Hour Meter
- Standard Transport Forklift Holes
- Charging Protection System
- Flashing LED Beacon
- Automatic Pothole Protection
- Drive Enable
- Charging Indicator
- Manual Brake Release
- Lanyard Attachment Point
- Tie-Down And Lifting Points
- Platform Load Sense System
- Emergency Stop Button



DINGLI AWP INDIA PRIVATE LIMITED

Address: Sahney Towers, 81, First Floor, Poonamallee High Road, Nerkundram,
Chennai, Tamil Nadu - 600 107
Telephone: +91-98846 48464
E-mail: support@dinglisaarc.com
Website: <https://dinglisaarc.com>