

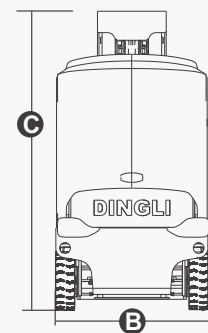
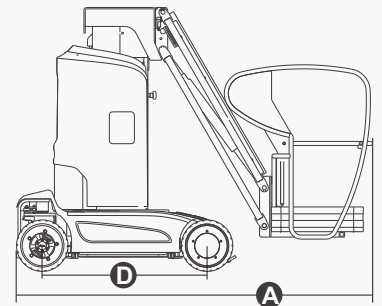
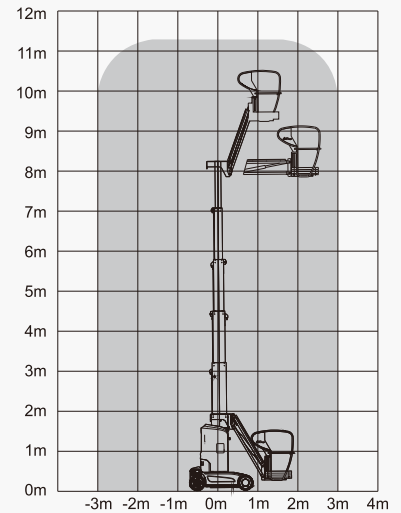
## SPECIFICATIONS

Size	Metric	British
Max. Working Height	11.20m	36ft 9in
Max. Platform Height	9.20m	30ft 2in
Overall Length <b>A</b>	2.62m	8ft 7in
Overall Width <b>B</b>	1.00m	3ft 3in
Overall Height <b>C</b>	1.99m	6ft 6in
Platform Size(Length/Width)	0.69m×0.93m	2ft 3in×3ft 1in
Ground Clearance(Stowed)	0.07m	3in
Ground Clearance(Raised)	0.02m	1in
Wheelbase <b>D</b>	1.22m	4ft
Turning Radius(Inside/Outside)	0m/1.80m	0/5ft 11in
Tyres	Φ381×127mm	1ft 3in×5in

Performance		
S.W.L	200kg	440lb
Max. Occupants(Indoor/Outdoor)	2/1	2/1
Gradeability	25%	25%
Max. Working Slope	X-2.5°/Y-2.5°	X-2.5°/Y-2.5°
Turret Rotation	345°	345°
Jib Movement	130°	130°
Travel Speed(Stowed)	4.5km/h	2.80mph
Travel Speed(Raised)	0.5km/h	0.31mph
Up/Down Speed	42/38sec	42/38sec

Weight		
Overall Weight	2970kg	6547lb

Power		
Battery	24V/200Ah	24V/200Ah
Charger	24VDC/30A	24VDC/30A
Driving Motor	2x15VAC/0.87kW	2x15VAC/0.87kW
Lifting Motor	15VAC/3kW	15VAC/3kW
Hydraulic Tank	9L	2.4gal



## FEATURES

### Standard Items

- Proportional Joystick Controls
- Drivable At Full Height
- Two-Wheel Steering
- Two-Wheel Drive
- Automatic Brake System
- Emergency Descent System
- Emergency Stop Button
- Onboard Diagnostic System
- Tilt Sensor With Alarm
- All Motion Alarm
- Horn
- Operating Time Display
- Charging Protection System
- Flashing LED Beacon
- Automatic Pothole Protection
- Overload Alarm System



### DINGLI AWP INDIA PRIVATE LIMITED

Address: Sahney Towers, 81, First Floor, Poonamallee High Road, Nerkundram,

Chennai, Tamil Nadu - 600 107

Telephone: +91-98846 48464

E-mail: [support@dinglisaarc.com](mailto:support@dinglisaarc.com)

Website: <https://dinglisaarc.com>

